

# ISD-O370

IP67 Rugged 5G Edge Network Appliance



Images are for reference only. See ordering information for SKU details.

## ■ Features

- Fanless Design Compliant with IP67 and MIL-STD-810G
- Intel® Atom® C3000 Extended Temperature CPU (Denverton)
- 2x DDR4 up to 2133 MHz ECC SODIMM Slots, Default 16GB x1
- M12 I/O: SR-IOV for 4x LAN, 2x PoE+, 1x USB, 1x Console
- Wide Operating Temperature: -40~70°C (SKU D & F)
- 1x M.2 Socket for 5G, 1x M.2 socket for Wi-Fi 6, 1x Mini-SIM
- Intel® QuickAssist Technology
- On-board eMMC 64GB, 1x M.2 2242 B Key, TPM 2.0

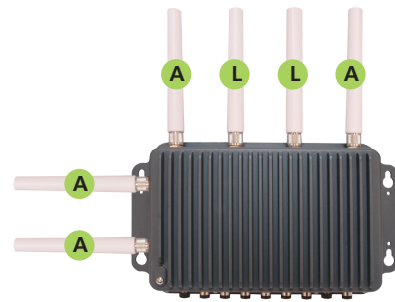
## ■ Specifications

Platform	
Form Factor	Desktop
Processor Options	Intel® Atom® C3000 (Denverton)
CPU Socket	Onboard
Chipset	SoC
Security Acceleration	Intel® QuickAssist Technology
BIOS	AMI SPI Flash BIOS
System Memory	
Technology	DDR4 up to 2133 MT/s ECC SODIMM
Max. Capacity	64 GB, Default ECC RAM 16GB x1
Socket	2x 260-pin SODIMM
Networking	
Ethernet Ports	All Ethernet ports are supported with SR-IOV, 4x GbE LAN, 2x GbE POE+ by M12 X-coded 8pin Female connector with isolation 1.5KVDC
Bypass	N/A
NIC Module Slot	N/A
LOM	
IO Interface	N/A
OPMA Slot	N/A
I/O Interface	
Reset Button	N/A
LED	N/A
Power Button	N/A
Console	1 x RS232/485 by M12 X-coded 8pin Female connector with isolation 1.5KVDC
USB	1 x USB 2.0 by M12 A-coded 8pin Male connector
LCD Module	N/A
Display	N/A
Storage	
HDD/SSD Support	1x M.2 2242 B key
eMMC	On-board eMMC 64GB TLC

Expansion	
M.2 for 5G	1x M.2 304(5)2 B Key socket for 5G
M.2 for Wi-Fi 6	1x M.2 2230 E Key socket for WiFi 6
SIM Card Slot	Mini-SIM & 1x eSIM (reserved)
Miscellaneous	
Watchdog	Yes
Internal RTC with Li Battery	Yes
TPM	Onboard TPM 2.0
Cooling	
Processor	Passive CPU Heatsink
System	Fanless
Environmental Parameters	
Temperature	-40~70°C Operating (SKU D & F) -40~60°C Operating (SKU C & E) -40~85°C Ambient storage
Humidity (RH)	5~90% Operating 5~95% Non-Operating
System Dimensions	
(WxDxH)	370 x 210 x 83 mm
Weight	4.6 kg
Package Dimensions	
(WxDxH)	450 x 324 x 195 mm
Weight	TBD
Power	
Type / Watts	DC-IN, Up to 130W
Input	Rated 24-36Vdc (range 9-50Vdc), supports with reverse protection by M12 K-coded 5pin Male connector with isolation 1.5KVDC
Certification	
Approvals and Compliance	CE/FCC class A, UL 62368-1, CB, IP67, MIL-STD-810G
OS	
OS	Linux Kernel

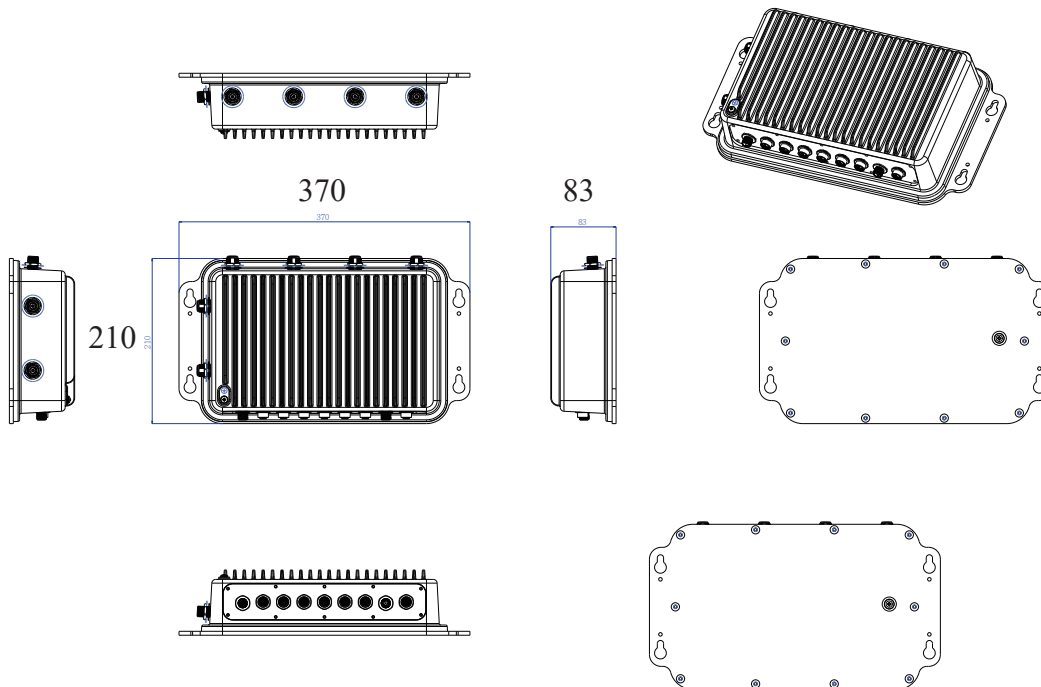
## Product I/O View

Images are for reference only. See ordering information for SKU details.



- |                      |                |                |                          |
|----------------------|----------------|----------------|--------------------------|
| <b>A</b> 5G Antennas | <b>D</b> PoE 2 | <b>G</b> LAN 3 | <b>J</b> RS 232/485      |
| <b>B</b> DC input    | <b>E</b> LAN 1 | <b>H</b> LAN 4 | <b>K</b> Wall mount hole |
| <b>C</b> PoE 1       | <b>F</b> LAN 2 | <b>I</b> USB   | <b>L</b> WiFi Antennas   |

## Dimensions (WxDxH) 370mm x 210mm x 83mm



## Ordering Information

- |                  |  |
|------------------|--|
| <b>ISD-0370C</b> | IP67 Rugged 5G Edge Network Appliance with Intel Atom C3808 processor, -40~60°C, reserves for Thales 5G module |
| <b>ISD-0370D</b> | IP67 Rugged 5G Edge Network Appliance with Intel Atom C3708 processor, -40~70°C, reserves for Thales 5G module |
| <b>ISD-0370E</b> | IP67 Rugged 5G Edge Network Appliance with Intel Atom C3808 processor, -40~60°C, reserves for Sierra 5G module |
| <b>ISD-0370F</b> | IP67 Rugged 5G Edge Network Appliance with Intel Atom C3708 processor, -40~70°C, reserves for Sierra 5G module |

V3-2021.10.19

**Lanner**

© Lanner Electronics Inc. All rights reserved.  
All product specifications are subject to change without notice.  
[contact@lannerinc.com](mailto:contact@lannerinc.com) | [www.lannerinc.com](http://www.lannerinc.com)

ISD-0370