

# ▶ 03 Edge

## 03-EDGE-02 Edge Controller

**Not all features currently supported. Please contact your Sales Manager for further information.**

### Description

Delta Controls' award-winning 03<sup>®</sup> Edge standalone multisensor uses industry-leading sensor fusion technology to deliver the most accurate view of an interior space available on the market.

Integrating temperature, humidity, motion, sound, and light sensing in a single device, the 03 uses machine learning to provide fast, accurate feedback on the monitored space.

The 03 is easy to install and can be configured out of the box with just a smartphone.



### Application

With support for BACnet, MQTT, EnOcean\* and BLE protocols, the 03 Edge is an open platform IoT device that can integrate with almost any system.

It also comes with two universal I/O points capable of controlling or accepting inputs from nearby devices—ideal for controlling light ballasts or chilled-beam ceiling valves.

\* 03-EDGE-02-E8 and 03-EDGE-02-E9 models only

### Features

- ▶ Composite temperature, humidity, PIR motion, sound, and light sensors combined in a single device
- ▶ User feedback via speaker and full-color LED ring with customizable audio tones and colors
- ▶ Supports up to 32 EnOcean wireless devices\*
- ▶ Dual Ethernet connection for daisy-chaining in large spaces; provides pass-through communication even during power outages
- ▶ Configuration via mobile app
- ▶ BLE API for developing custom apps

### Specifications

#### Temperature Sensors

Composite temperature value  
 $\pm 0.5^{\circ}\text{C}$  ( $\pm 1.0^{\circ}\text{F}$ ) typical with calibration

Digital temperature sensor  
 $\pm 0.5^{\circ}\text{C}$  ( $\pm 1.0^{\circ}\text{F}$ )

Infrared temperature sensor  
 $\pm 1.0^{\circ}\text{C}$  ( $\pm 1.8^{\circ}\text{F}$ ) typical

#### Humidity Sensor

Accuracy  $\pm 3\%$  for 20% to 80% RH  
@  $15^{\circ}\text{C}$  to  $30^{\circ}\text{C}$  ( $59^{\circ}\text{F}$  to  $86^{\circ}\text{F}$ )

#### Motion Sensor

Passive infrared (PIR) motion sensor

Motion sensing range:

9.1 m (30 ft) diameter @ 4.6 m (15 ft) mounting height

5.5 m (18 ft) diameter @ 2.4 m (8 ft) mounting height

#### Light Sensor

$\pm (6+5\%)$  reading) lx

#### Audio Input

2 microphones for acoustic occupancy detection

#### LED Ring

Full color ring with 12 RGB LEDs

#### Universal Points

Up to 2 inputs (16-bit), software configurable for the following types:

0–5 VDC

0–10 VDC

10 k $\Omega$  thermistor

Dry contact (using 10 k $\Omega$  thermistor software setting)

4–20 mA (using external 250  $\Omega$  resistor on 0–5 V setting)

Up to 2 outputs (12-bit), software configurable for the following types:

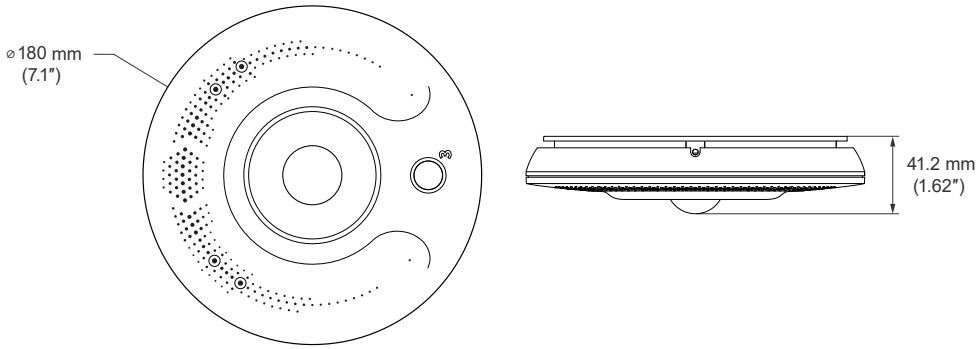
0–10 V @ 20 mA max (sourcing)

1–10 V @ 10 mA max (sinking)

# 03 Edge

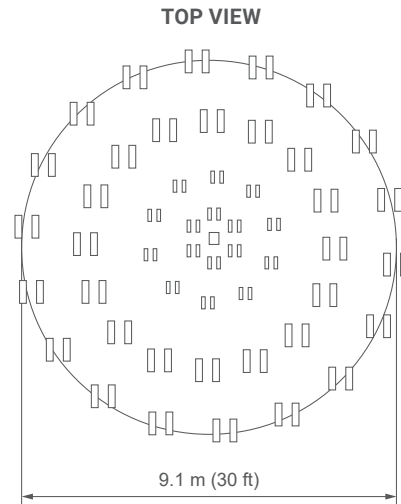
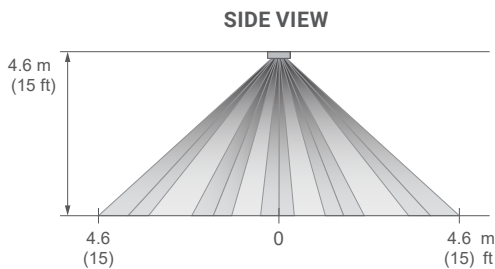
## 03-EDGE-02 Edge Controller

### Dimensions



### Passive Infrared Motion Coverage

Mounting Height	PIR Sensing Range
4.6 m (15 ft)	9.1 m (30 ft)
2.4 m (8 ft)	5.5 m (18 ft)



### Ordering

Order the 03 Edge using the following product numbers:

03-EDGE-02	Multisensor (temperature, humidity, light, motion), Bluetooth, LED ring, microphone and speaker, 2 universal I/O, input (0–10 V, 0–5 V, 10 k $\Omega$ ) or output (20 mA source, 10 mA sink), with mounting plate
03-EDGE-02-E8	Multisensor (temperature, humidity, light, motion), Bluetooth, EnOcean 868 MHz, LED ring, microphone and speaker, 2 universal I/O, input (0–10 V, 0–5 V, 10 k $\Omega$ ) or output (20 mA source, 10 mA sink), with mounting plate
03-EDGE-02-E9	Multisensor (temperature, humidity, light, motion), Bluetooth, EnOcean 902 MHz, LED ring, microphone and speaker, 2 universal I/O, input (0–10 V, 0–5 V, 10 k $\Omega$ ) or output (20 mA source, 10 mA sink), with mounting plate

### Specifications (Continued)

#### Audio Output

1.0 W mono speaker for tones and audio output

#### Connectors

Removable screw-type terminal connectors

#### Wiring Class

Class 2 / SELV

#### Power

24 VDC (20–28 VDC), 2 W typical, 10 W max, Class 2

#### Technology

Arm<sup>®</sup> Cortex<sup>®</sup>-A7 MPU + Cortex-M4 MCU  
 256 DDR3L RAM  
 4 GB eMMC flash memory  
 Real-time clock (RTC)  
 Supercapacitor power backup for RTC

#### Communication Ports

Dual Ethernet (10/100Base-T)

#### Interfaces and Protocols

BACnet (BACnet/IP, BACnet/Ethernet, BACnet/SC)  
 EnOcean (868 MHz or 902 MHz)  
 MQTT  
 BLE 5.0

#### Ambient Rating

0°C to 45°C (32°F to 113°F)  
 10% to 95% RH (non-condensing)

#### Dimensions

180 × 41.2 mm [7.1 × 1.6 in.]

#### Weight

350 g (0.77 lb)

#### Compliance

CE  
 FCC/IC  
 NCC (in progress)

#### Listings

cULus 916 Listed

Updated October 2021

Subject to change without notice.