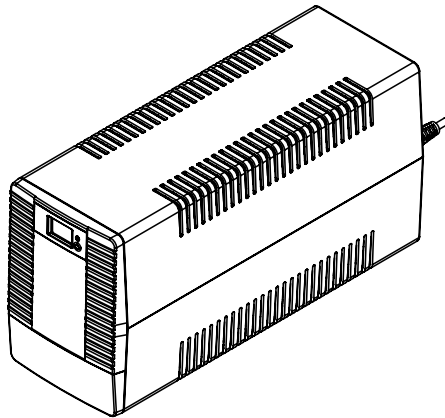


Owner's Manual

UPS Systems

Models:

SMART750TSU, SMART1050TSU
(Series Numbers: AG-888F, AG-8890)



Español 15 • Français 29

WARRANTY REGISTRATION

Register your product today and be automatically entered to win an ISOBAR® surge protector in our monthly drawing!

tripplite.com/warranty



TRIPP-LITE



1111 W. 35th Street, Chicago, IL 60609 USA • tripplite.com/support

Copyright © 2021 Tripp Lite. All rights reserved.

Important Safety Instructions

SAVE THESE INSTRUCTIONS

This manual contains instructions and warnings that should be followed during the installation, operation, maintenance and storage of the UPS and batteries. Failure to heed these warnings may affect the warranty.

UPS Location Warnings

- Install your UPS indoors, away from excess moisture or heat, conductive contaminants, dust or direct sunlight.
- For best performance, keep the indoor temperature between 32° F and 104° F (0° C and 40° C).
- Leave adequate space around all sides of the UPS for proper ventilation.
- Only set the UPS upright on a sturdy flat surface. Do not block fans or ventilation holes, as this will seriously inhibit the unit's internal cooling and cause product damage not covered under warranty.

UPS Connection Warnings

- Connect your UPS directly to a properly-grounded AC power outlet. Do not plug the UPS into itself; this will damage the UPS.
- Do not modify the UPS plug, and do not use an adapter that would eliminate the UPS ground connection.
- Do not use extension cords to connect the UPS to an AC outlet.
- If the UPS receives power from a motor-powered AC generator, the generator must provide clean, filtered, computer-grade output.
- The mains socket outlet that supplies the UPS should be easily accessible and located near the UPS.

Equipment Connection Warnings



Install in accordance with National Electrical Code standards ANSI/NFPA 70 and Canadian Electrical Code, Part I, C22.1.

Short-circuit backup protection and overcurrent protection is provided by the building installation.

To reduce the risk of fire, connect only to a circuit provided branch circuit overcurrent protection in accordance with the National Electrical Code, ANSI/NFPA 70 and the Canadian Electrical Code, Part I, C22.1. The plug on the power supply cord is intended to serve as the disconnect device. Be sure that the socket-outlet is installed near the equipment and is made easily accessible.

Important Safety Instructions

- Use of this equipment in life support applications where failure of this equipment can reasonably be expected to cause the failure of the life support equipment or to significantly affect its safety or effectiveness is not recommended.
- Do not connect surge protectors or extension cords to the output of your UPS. This might damage the UPS and may affect the surge protector and UPS warranties.
- Connect the UPS to an outlet that is adequately protected against excess currents, short circuits and earth faults as part of the building installation.

Battery Warnings

- Batteries can present a risk of electrical shock and burn from high short-circuit current. Observe proper precautions. There are no user-serviceable parts inside the UPS. Do not open the UPS except to perform battery replacement. Do not open batteries. Do not short or bridge the battery terminals with any object. Do not dispose of batteries in a fire. The batteries may explode. Released material is harmful to the skin and eyes. It may be toxic. Unplug and turn off the UPS before performing battery replacement. Use tools with insulated handles. Battery replacement should be performed only by authorized service personnel using the same number and type of batteries (sealed lead-acid). Do not dispose of the batteries in a fire. Tripp Lite offers a complete line of UPS System Replacement Battery Cartridges (R.B.C.). Visit Tripp Lite on the Web at tripplite.com/products/battery-finder to locate the specific replacement battery for your UPS.



CAUTION: A battery can present a risk of electrical shock and high short-circuit current. Contact with any part of a grounded battery can result in electrical shock. The following precautions should be observed when working on batteries:

- Remove watches, rings or other metal objects.
- Use tools with insulated handles.
- Wear rubber gloves and boots.
- Do not lay tools or metal parts on top of batteries.
- Disconnect charging source and load prior to installing or maintaining the battery.
- Remove battery grounds during installation and maintenance to reduce likelihood of shock.
- Remove the connection from ground if any part of the battery is determined to be grounded.

UPS and Battery Recycling



Pb

Tripp Lite products use sealed lead-acid batteries, which are highly recyclable.

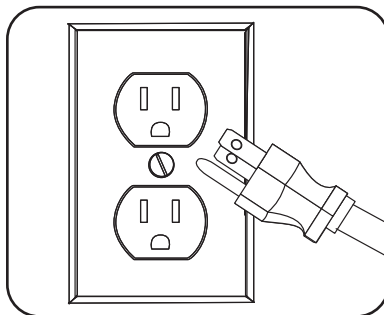
Call Tripp Lite at 1.773.869.1234 or visit tripplite.com/support/recycling-program for more information on recycling the batteries or any other Tripp Lite product. Please refer to local codes for disposal requirements.

Quick Installation

STEP 1: Plug the UPS into a properly grounded outlet.

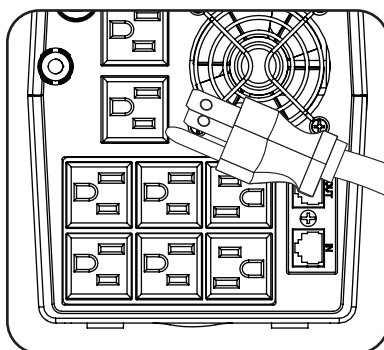
After plugging the UPS into a wall outlet, press and hold the power button until the alarm starts to sound, then release to turn on the UPS.

Note: The UPS will not turn on automatically in the presence of live utility power.



STEP 2: Plug your equipment into the UPS.

There are two sets of outlets on the back of your UPS. Outlets marked SURGE PROTECTED do not provide battery backup power during power outages. Connect common desktop items like printers, scanners and other accessories not requiring battery support to these outlets. Outlets marked BATTERY/SURGE PROTECTED offer UPS battery backup support during power failures. Connect your vital computer equipment into these outlets.



Your UPS is designed to support electronic equipment only. You will overload the UPS if the total volt-amp (VA) ratings for all the equipment connected to the BATTERY/SURGE PROTECTED outlets exceed the UPS output capacity. To find your equipment's VA ratings, look on their nameplates. If the equipment is listed in amps (A), multiply the number of amps by 120 to determine VA. For example: 1A × 120 = 120VA.

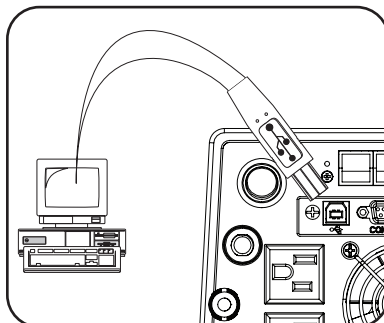
If the color LCD panel does not illuminate when the UPS is turned ON, try the following:

1. Make sure that the UPS is plugged into a live AC outlet.
2. Press the power button to turn on the UPS. A beep should sound when the UPS starts.
3. If the UPS still does not start, contact Tripp Lite Tech Support for assistance.

Quick Installation

Optional Installation

All models include a USB communication port and tel/DSL/Ethernet surge protection jacks (not compatible with PoE applications). Select models will also include an RS-232 serial port. These connections are optional, as the UPS will work properly without them.



Basic Operation

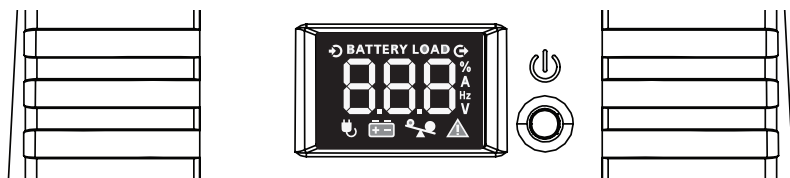
UPS ON/OFF

- **Plug the UPS into a live, grounded outlet.**
The entire LCD screen will illuminate for 5 seconds, then the display will report output voltage of "OV". The BATTERY / SURGE PROTECTED outlets will be OFF and the SURGE ONLY outlets will be ON. The battery charger will engage as necessary.
- **Plug equipment into the UPS:** You will overload the UPS if the total volt-amp (VA) ratings for all the equipment connected to the BATTERY/SURGE PROTECTED outlets exceed the UPS output capacity. To find your equipment's VA ratings, look on their nameplates. If the equipment is listed in amps (A), multiply the number of amps by 120 to determine VA. For example: $1A \times 120 = 120VA$.
- **Turn the UPS on:** Press and hold the power button until the alarm begins to sound, then release. The UPS alarm will beep once briefly. The BATTERY/SURGE PROTECTED outlets will begin passing AC line power. The UPS will automatically recharge internal batteries as needed. Once turned on, your UPS is ready to protect connected equipment from blackouts, brownouts, overvoltages and transient surges.
- **Turn the UPS off:** Press the power button.

Note: The UPS system will function properly upon initial startup; however, maximum runtime for the unit's battery will only be accessible after it has been charged for 24 hours.


Basic Operation

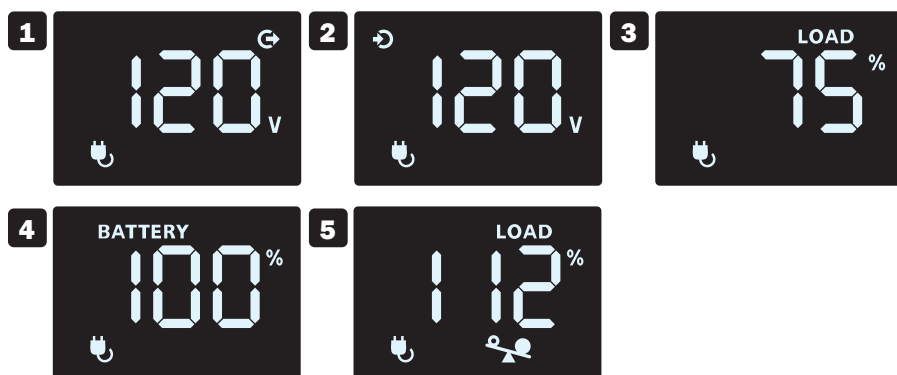
Display UPS/Power Conditions



On-Line AC Power Mode LCD Data

The LCD touchscreen offers 5 screens of UPS and site power information when the UPS is operating in on-line power mode. Screens 1-4 (Output Voltage, Input Voltage, Load %, Battery Charge Level) are available for viewing in on-line power mode. Press the front panel LCD to advance to the next screen. Screen #5 (Overload) is displayed automatically only when the UPS is loaded to levels greater than 100%.

The LCD screen reports that AVR (Auto Voltage Regulation) buck/boost circuits are active any time the on-line power  symbol is flashing.



- 1 Output Voltage
- 2 Input Voltage
- 3 Load %
- 4 Battery Charge Level
- 5 Overload

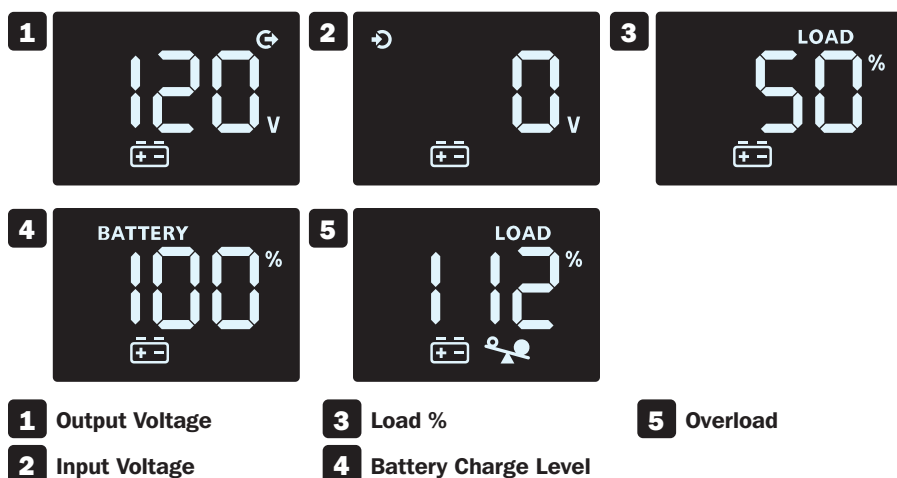
Note: The LCD touchscreen automatically turns off in on-line power mode 20 seconds after it was last touched. To re-activate the LCD for an additional 20 seconds, touch the screen.

Operating Mode		Alarm Description
Battery Mode	Normal	No Alarm
	Battery Low	Sounds Every Second
	Overload	Sounds Every 0.5 Second
On-Line Mode	Normal	No Alarm
	Overload	Sounds Every 0.5 Second
	Battery Replace	Sounds Every Minute
Fault Mode		Sounds Continuously

Basic Operation

Battery Power Mode LCD Data

The LCD touchscreen offers 5 screens of UPS and site power information when the UPS is operating in battery power mode. Screens 1-4 (Output Voltage, Input Voltage, Load %, Battery Charge Level) are available for viewing in battery power mode. Press the front panel LCD to advance to the next screen. Screen #5 (Overload) is displayed automatically only when the BATTERY/SURGE PROTECTED outlets are loaded to levels greater than 100%.



Note: The LCD touchscreen will remain ON continuously during battery mode operation.

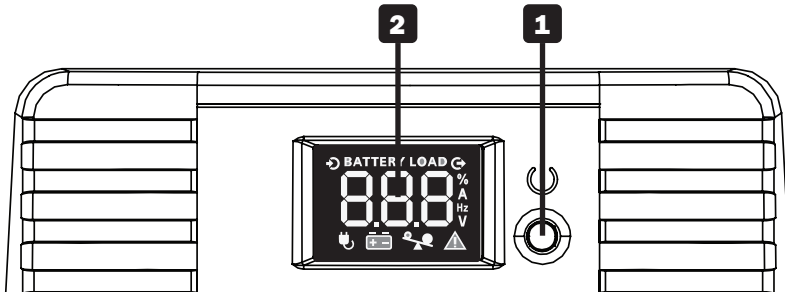
Critical Fault Screens



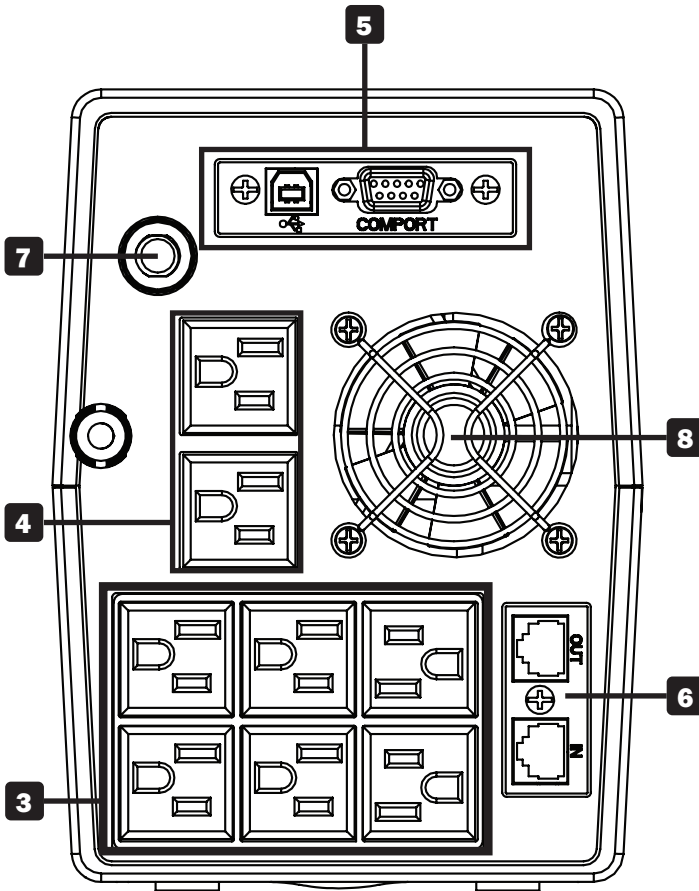
Error Code	Critical Fault	Solution
F01	OUTPUT SHORT	Disconnect load(s) from UPS outlets. Power off UPS and contact Tripp Lite Technical Support for assistance.
F02	OVERLOAD	Remove excess load, check load meter on LCD for load status.
F03	OVERCHARGE	Turn unit off, unplug UPS and contact Tripp Lite Technical Support for assistance.
F04	BATTERY LOW VOLTAGE	Charge UPS for 24 hours. If problem persists, replace battery and contact Tripp Lite Technical Support if problem persists.
F05	BATTERY MODE HIGH OUTPUT	Turn off power to the UPS and contact Tripp Lite Technical Support for assistance.

Features

UPS Features



All Models



Features

- 1 ON/OFF Button:** When the UPS is OFF, press and hold the ON/OFF button until a beep is heard to turn the UPS ON. When the UPS is ON, press and hold the ON/OFF button to turn the UPS OFF.
- 2 LCD Touchscreen Panel:** Provides current status of the UPS. For a detailed description, refer to “Display UPS/Power Conditions” in the **Basic Operation** section.
- 3 Battery Backup/Surge Protected Outlets:** These outlets offer battery backup support and premium surge suppression for critical devices requiring battery backup support.
- 4 Surge Protected Outlets:** These outlets offer premium surge suppression for critical devices.
- 5 USB and RS-232* Communication Ports:** These port can connect your UPS to any computer for automatic saves and unattended shutdown in the event of a power failure. Use with Tripp Lite’s PowerAlert® Software (available as a FREE download at tripplite.com) and the USB cable included with your UPS. These connections are optional, your UPS will work properly without this connection.
**All models include a USB communication port. Select models also include an RS-232 serial port.*
Note: This UPS System provides basic communication compatibility with most integrated Windows®, Macintosh® and Linux® power management applications.
- 6 Tel/DSL/Ethernet Line Protection Jacks:** These jacks protect equipment against surges over a single phone line or network connection. Connecting your equipment to these jacks is optional; your UPS will work properly without this connection.
Note: Not compatible with PoE (Power over Ethernet) applications.
- 7 Resettable Input Circuit Breaker:** Protects your electrical circuit from overcurrent draw from the UPS load. If this breaker trips, remove some of the load, then reset by pressing it in.
- 8 Fan:** Provides cooling during AVR mode or when the UPS is operating in battery mode.

Battery Replacement

Under normal conditions, the original battery in your UPS will last several years. Battery replacement should only be performed by qualified personnel. Refer to “Battery Warnings” in the **Important Safety Instructions** section for more information.

All models require two 12V DC, 9Ah replacement batteries (Tripp Lite model: RBC51).

For further information about replacement compatibility and ordering, visit tripplite.com/products/battery-finder.



Battery replacement must be done using the same battery type and quantity: 12V DC sealed lead-acid, 6-cell and in compliance with UL 1989.



CAUTION: Risk of energy hazard. Before replacing batteries, remove conductive jewelry such as chains, wristwatches and rings. High energy passing through conductive materials may cause severe burns.

Storage and Service

Storage

To avoid battery drain, all connected equipment should be turned off and disconnected from the UPS. Press the power button and disconnect the unit from AC power. Your UPS will be completely turned off (deactivated), and will be ready for storage. If you plan on storing your UPS for an extended period, fully recharge the UPS batteries every three months. Plug the UPS into a live AC outlet and allow the batteries to recharge for 4 to 6 hours. If you leave your UPS batteries discharged for a long period of time, they will suffer a permanent loss of capacity.

Service

A variety of Extended Warranty and On-Site Service Programs are available from Tripp Lite. For more information on service, visit tripplite.com/support.

Before returning your product for service, follow these steps:

1. Review the installation and operation procedures in this manual to ensure that the service problem does not originate from a misreading of the instructions.
2. If the problem continues, do not contact or return the product to the dealer. Instead, visit tripplite.com/support.
3. If the problem requires service, visit tripplite.com/support and click the Product Returns link. From here you can request a Returned Material Authorization (RMA) number, which is required for service. This simple on-line form will ask for your unit's model and serial numbers, along with other general purchaser information. The RMA number, along with shipping instructions, will be emailed to you. Any damages (direct, indirect, special or consequential) to the product incurred during shipment to Tripp Lite or an authorized Tripp Lite service center is not covered under warranty. Products shipped to Tripp Lite or an authorized Tripp Lite service center must have transportation charges prepaid. Mark the RMA number on the outside of the package. If the product is within its warranty period, enclose a copy of your sales receipt. Return the product for service using an insured carrier to the address given to you when you request the RMA.

Specifications

Model	SMART750TSU	SMART1050TSU
Nominal input voltage(s) and range:	120V~, 89-145V~	120V~, 89-145V~
Nominal input frequency and tolerance:	50/60 Hz (+/- 5 Hz)	50/60 Hz (+/- 5 Hz)
Nominal output voltage:	120V~ sinusoidal in line mode and 120V~ PWM in battery mode	120V~ sinusoidal in line mode and 120V~ PWM in battery mode
Nominal output frequency:	50/60 Hz (+/-0.5 Hz)	50/60 Hz (+/-0.5 Hz)
Output voltage regulation in line mode:	120 V~ (+6% / - 12%)	120 V~ (+6% / - 12%)
Output voltage regulation in battery mode:	120V~ (+/-10%)	120V~ (+/-10%)
Nominal output power in W / VA:	600W / 750VA	900W / 1050VA
Output voltage waveform:	Sinusoidal in line mode and quasi-sine (PWM) in battery mode	Sinusoidal in line mode and quasi-sine (PWM) in battery mode
Maximum output current @ P.F.:	6.3A @ 120V~	8.8A @ 120V~
	0.8	0.86
Efficiency with nominal load:	95%	95%
Maximum operating altitude at 100% of nominal power:	2,000 m above the sea level	2,000 m above the sea level
Online overload capability:	110% @ 5 minutes	110% @ 5 minutes
Overload capacity in battery mode:	110% @ 5 seconds	110% @ 5 seconds
Current limitation:	Input 10A	Input 15A
Autonomy time at full load:	4 minutes @ 600W	3 minutes @ 900W
Battery recharge time:	8 hours	8 hours
Transfer time:	6 milliseconds typical (10 milliseconds max)	6 milliseconds typical (10 milliseconds max)
Outlets:	6x 5-15R outlets with battery backup, regulation and surge, 2x 5-15R outlets only for surges	6x 5-15R outlets with battery backup, regulation and surge, 2x 5-15R outlets only for surges
Maximum input current:	10A	12A

Product Registration

Visit tripplite.com/warranty today to register your new Tripp Lite product. You'll be automatically entered into a drawing for a chance to win a FREE Tripp Lite product! *

* No purchase necessary. Void where prohibited. Some restrictions apply. See website for details.

Regulatory Compliance

FCC Part 68 Notice (United States Only)

If your Modem/Fax Protection causes harm to the telephone network, the telephone company may temporarily discontinue your service. If possible, they will notify you in advance. If advance notice isn't practical, you will be notified as soon as possible. You will be advised of your right to file a complaint with the FCC. Your telephone company may make changes in its facilities, equipment, operations or procedures that could affect the proper operation of your equipment. If it does, you will be given advance notice to give you an opportunity to maintain uninterrupted service. If you experience trouble with this equipment's Modem/Fax Protection, please visit tripplite.com/support for repair/warranty information. The telephone company may ask you to disconnect this equipment from the network until the problem has been corrected or you are sure the equipment is not malfunctioning. There are no repairs that can be made by the customer to the Modem/Fax Protection. This equipment may not be used on coin service provided by the telephone company. Connection to party lines is subject to state tariffs. (Contact your state public utility commission or corporation commission for information.)

FCC Notice, Class A

This device complies with part 15 of the FCC Rules. Operation is subject to the following two conditions: (1) This device may not cause harmful interference, and (2) this device must accept any interference received, including interference that may cause undesired operation.

Note: This equipment has been tested and found to comply with the limits for a Class A digital device, pursuant to part 15 of the FCC Rules. These limits are designed to provide reasonable protection against harmful interference when the equipment is operated in a commercial environment. This equipment generates, uses, and can radiate radio frequency energy and, if not installed and used in accordance with the instruction manual, may cause harmful interference to radio communications. Operation of this equipment in a residential area is likely to cause harmful interference in which case the user will be required to correct the interference at his own expense.

WARNING: Changes or modifications not expressly approved by the party responsible for compliance could void the user's authority to operate the equipment.

Equipment Attachment Limitations (models with the Industry Canada label in Canada only)

NOTICE: The Industry Canada label identifies certified equipment. This certification means that the equipment meets the telecommunications network protective, operational and safety requirements as prescribed in the appropriate Terminal Equipment Technical Requirements Document(s). The Department does not guarantee the equipment will operate to the user's satisfaction. Before installing this equipment, users should ensure that it is permissible to be connected to the facilities of the local telecommunications company. The equipment must also be installed using an acceptable method of connection. The customer should be aware that the compliance with the above conditions might not prevent degradation of service in some situations.

Repairs to certified equipment should be coordinated by a representative designated by the supplier. Any repairs or alterations made by the user to this equipment, or equipment malfunctions, may give the telecommunications company cause to request the user to disconnect the equipment.

Users should ensure for their own protection that the electrical ground connections of the power utility, telephone lines and internal metallic water pipe system, if present, are connected together. This precaution may be particularly important in rural areas. Caution: Users should not attempt to make connections themselves, but should contact the appropriate electric inspection authority, or electrician, as appropriate.

Regulatory Compliance

Regulatory Compliance Identification Numbers

For the purpose of regulatory compliance certifications and identification, your Tripp Lite product has been assigned a unique series number. The series number can be found on the product nameplate label, along with all required approval markings and information. When requesting compliance information for this product, always refer to the series number. The series number should not be confused with the marking name or model number of the product.

Tripp Lite has a policy of continuous improvement. Product specifications are subject to change without notice. Photos and illustrations may differ slightly from actual products.

Note on Labeling

Two symbols are used on the label.

V~ : AC Voltage

V— : DC Voltage



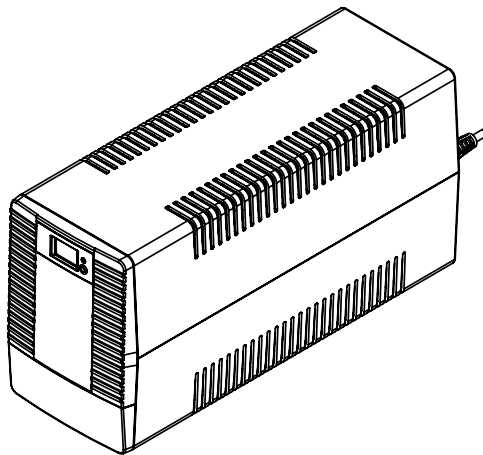
1111 W. 35th Street, Chicago, IL 60609 USA • tripplite.com/support

Manual del Propietario

Sistemas UPS

Modelos:

SMART750TSU, SMART1050TSU
(Números de Serie: AG-888F, AG-8890)



English 1 • Français 29



1111 W. 35th Street, Chicago, IL 60609 EE UU • tripplite.com/support

Copyright © 2021 Tripp Lite. Todos los derechos reservados.

Instrucciones de Seguridad Importantes

CONSERVE ESTAS INSTRUCCIONES

Este manual contiene instrucciones y advertencias que deben seguirse durante la instalación, operación, mantenimiento y almacenamiento del UPS y baterías. El incumplimiento de estas advertencias puede afectar la garantía.

Advertencias para la Ubicación del UPS

- Instale su UPS en interiores, alejado de humedad o calor excesivos, contaminantes conductores, polvo o luz solar directa.
- Para mejor desempeño, mantenga la temperatura interior entre 0 °C y 40 °C [32 °F y 104 °F].
- Deje espacio adecuado alrededor de todos los lados del UPS para una ventilación apropiada.
- Sólo ponga el UPS en posición vertical sobre una superficie plana sólida. No bloquee los ventiladores o los orificios de ventilación, ya que inhibirá seriamente el enfriamiento interno de la unidad y causará daños no cubiertos por la garantía.

Advertencias para la Conexión del UPS

- Conecte su UPS directamente a un tomacorrientes de CA conectado correctamente a tierra. No enchufe el UPS en sí mismo; esto dañará al UPS.
- No modifique la clavija del UPS y no use un adaptador que pueda eliminar la conexión a tierra del UPS.
- No use cables de extensión para conectar el UPS a un tomacorrientes de CA.
- Si el UPS recibe alimentación de un generador de CA activado por motor, debe probarse que el generador proporciona una salida de grado computadora, limpia y filtrada.
- El tomacorrientes que alimenta al UPS debe ser fácilmente accesible y estar cerca del UPS.

Advertencias para la Conexión del Equipo



Instale de acuerdo con los estándares del Código Eléctrico Nacional ANSI / NFPA 70 y Código Eléctrico Canadiense, Parte I, C22.1.

La protección de respaldo por corto circuito y la protección contra sobrecorriente es proporcionada por la instalación del edificio.

Para reducir el riesgo de incendio, conecte solamente a un circuito provisto de una protección contra sobrecorrientes del circuito derivado según el Código Eléctrico Nacional, ANSI/NFPA 70 y el Código Eléctrico Canadiense, Parte I, C22.1. La clavija en el cable de alimentación está diseñada para servir como dispositivo de desconexión. Asegúrese que el tomacorrientes esté instalado cerca del equipo y sea fácilmente accesible.

Instrucciones de Seguridad Importantes

- No se recomienda el uso de este equipo en aplicaciones de soporte de vida en donde razonablemente se pueda esperar que la falla de este equipo cause la falla del equipo de soporte de vida o afectar significativamente su seguridad o efectividad.
- No conecte supresores de sobretensiones o cables de extensión a la salida de su UPS. Esto puede dañar al UPS y afectar las garantías del supresor de sobretensiones y del UPS.
- Conecte el UPS a un tomacorrientes que esté adecuadamente protegido contra corrientes excesivas, cortocircuitos, y fallas de conexión a tierra como parte de la instalación del edificio.

Advertencias de la Batería

- Las baterías pueden presentar un riesgo de descarga eléctrica y quemaduras por la alta corriente de corto circuito. Observe las precauciones apropiadas. No hay partes dentro del UPS a las que el usuario pueda dar servicio. No abra el UPS, excepto para realizar el reemplazo de la batería. No abra las baterías. No ponga en corto o puentee las terminales de la batería con ningún objeto. No deseche las baterías en el fuego. Las baterías pueden explotar. El material liberado es dañino a la piel y ojos. Puede ser tóxico. Desenchufe y apague el UPS antes de reemplazar la batería. Use herramientas con mangos aislados. El reemplazo de la batería debe realizarlo solo el personal de servicio autorizado usando el mismo número y tipo de baterías (Plomo-Ácido Selladas). No deseche las baterías en el fuego. Tripp Lite ofrece una línea completa de Cartuchos de Batería de Repuesto (R.B.C.) para Sistemas UPS. Para localizar la batería de repuesto específica para su UPS, visite Tripp Lite en el sitio tripplite.com/products/battery-finder.



PRECAUCIÓN: Una batería puede presentar un riesgo de descarga eléctrica y alta corriente de cortocircuito. Hacer contacto con cualquier parte de una batería conectada a tierra puede causar una descarga eléctrica. Al trabajar con baterías deben observarse las siguientes precauciones:

- Retire relojes, anillos u otros objetos metálicos.
- Use herramientas con mangos aislados.
- Use botas y guantes de hule.
- No coloque herramientas o partes metálicas sobre la parte superior de las baterías.
- Desconecte la fuente de carga y la carga antes de la instalación o el mantenimiento de la batería.
- Elimine las conexiones a tierra de la batería durante la instalación y mantenimiento para reducir la probabilidad de descarga.
- Quite la conexión a tierra si se determina que cualquier parte de la batería debe estar conectada a tierra.

Reciclado de la batería y el UPS



Pb

Los productos de Tripp Lite usan baterías selladas de plomo-ácido, que son altamente reciclables.

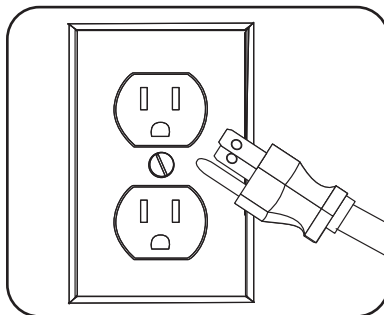
Llame a Tripp Lite al 1.773.869.1234 o visite tripplite.com/support/recycling-program para obtener información adicional sobre el reciclado de baterías u otro producto de Tripp Lite. Para los requisitos de desecho, por favor consulte sus códigos locales.

Instalación Rápida

PASO 1: Enchufe el UPS en un tomacorriente correctamente aterrizado.

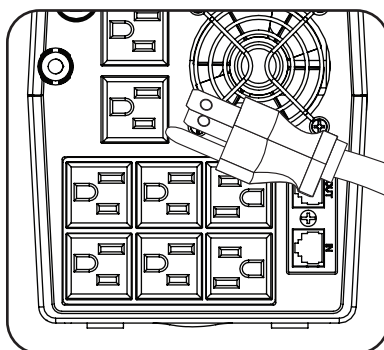
Después de enchufar el UPS en un tomacorriente de pared, presione y sostenga el botón de encendido durante un segundo hasta que la alarma empiece a sonar y suéltelo para encender el UPS.

Nota: El UPS no encenderá automáticamente en presencia de energía activa de la red pública.



PASO 2: Enchufe su equipo en el UPS.

Hay dos juegos de tomacorrientes en la parte posterior de su UPS. Los tomacorrientes marcados SURGE PROTECTED no proporcionan respaldo de energía por batería durante apagones. Conecte en estos tomacorrientes los equipos de escritorio comunes como impresoras, escáneres y otros accesorios que no requieran respaldo por batería. Los tomacorrientes marcados BATTERY / SURGE PROTECTED ofrecen respaldo por batería del UPS durante fallas de energía. Conecte en estos tomacorrientes sus equipos de cómputo vitales.



Su UPS está diseñado para soportar solamente equipo electrónico. Usted sobrecargará el UPS si el valor total en volt-amperes (VA) para todo el equipo conectado a los tomacorrientes BATTERY / SURGE PROTECTED excede la capacidad de salida del UPS. Para localizar los valores de VA de su equipo, consulte las placas de identificación. Si el equipo está especificado en amperes (A), multiplique el número de amperes por 120 para determinar VA. Por ejemplo: 1A × 120 = 120VA.

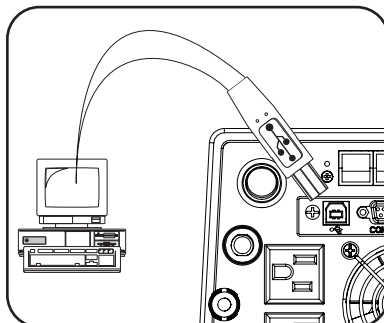
Si el panel LCD de color no se ilumina cuando se enciende el UPS, intente lo siguiente:

1. Asegúrese de que el UPS esté conectado a un tomacorrientes de CA.
2. Presione el botón de encendido para encender el UPS. Sonará un bip cuando el UPS arranque.
3. Si el UPS aún no arranca, póngase en contacto con Soporte Técnico de Tripp Lite para solicitar apoyo.

Instalación Rápida

Instalación Opcional

Todos los modelos incluyen un puerto de comunicación USB y conectores de supresión de sobretensiones Tel / DSL / Ethernet (no compatible con aplicaciones PoE). Modelos selectos también incluirán un puerto serial RS-232. Estas conexiones son opcionales, el UPS funcionará adecuadamente sin ellas.



Operación Básica

ENCENDIDO Y APAGADO DEL UPS

- **Enchufe el UPS en un tomacorrientes activo conectado a tierra.**

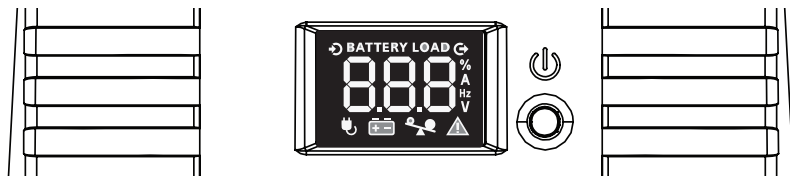
Toda la pantalla LCD se iluminará durante 5 segundos, después la pantalla informará el voltaje de salida de "OV". Los tomacorrientes marcados BATTERY / SURGE PROTECTED se apagarán y los tomacorrientes SURGE ONLY se encenderán. El cargador de la batería se activará según sea necesario.

- **Enchufe el equipo en el UPS:** Usted sobrecargará el UPS si el valor total en Volts Amperes (VA) para todo el equipo conectado a los tomacorrientes BATTERY / SURGE PROTECTED excede la capacidad de salida del UPS. Para localizar los valores de VA de su equipo, consulte las placas de identificación. Si el equipo está especificado en amperes (A), multiplique el número de amperes por 120 para determinar VA. Por ejemplo: $1A \times 120 = 120VA$.
- **Encienda el UPS:** Oprima y sostenga el botón de encendido hasta que la alarma empiece a sonar, luego suéltelo. La alarma del UPS emitirá un bip brevemente. Los tomacorrientes BATTERY/SURGE PROTECTED empezarán a pasar energía de la línea de CA. El UPS recargará automáticamente las baterías internas según sea necesario. Una vez encendido, su UPS está listo para proteger los equipos conectados contra apagones, caídas de voltaje, sobrevoltajes y sobretensiones transientes.
- **Apague el UPS:** Presione el botón de alimentación.

Nota: El sistema UPS funcionará correctamente en el arranque inicial; sin embargo, la autonomía máxima para la batería de la unidad sólo será accesible después de haberse cargado por 24 horas.


Operación Básica

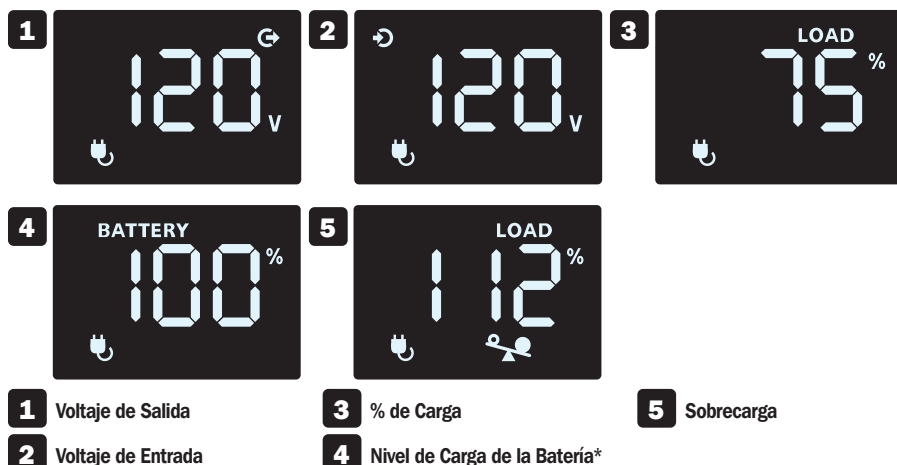
Muestra las Condiciones del UPS / Energía



Datos del LCD de Modo de Alimentación de CA En Línea

La pantalla LCD táctil ofrece 5 pantallas de información de la energía del UPS y el sitio cuando el UPS esté operando en modo de alimentación en línea. Pantallas 1 ~ 4 (Voltaje de Salida, Voltaje de Entrada, % de Carga, Nivel de Carga de la Batería) están disponibles para visualización en modo de alimentación de línea. Para avanzar a la siguiente pantalla, toque el LCD de la pantalla frontal. La pantalla #5 (Sobrecarga) se muestra automáticamente solo cuando el UPS esté cargado a niveles superiores al 100%.

La pantalla del LCD informa que circuitos de reducción y elevación de la AVR (Regulación Automática de Voltaje) están activos en cualquier momento que el ícono de la alimentación en línea  esté destellando.



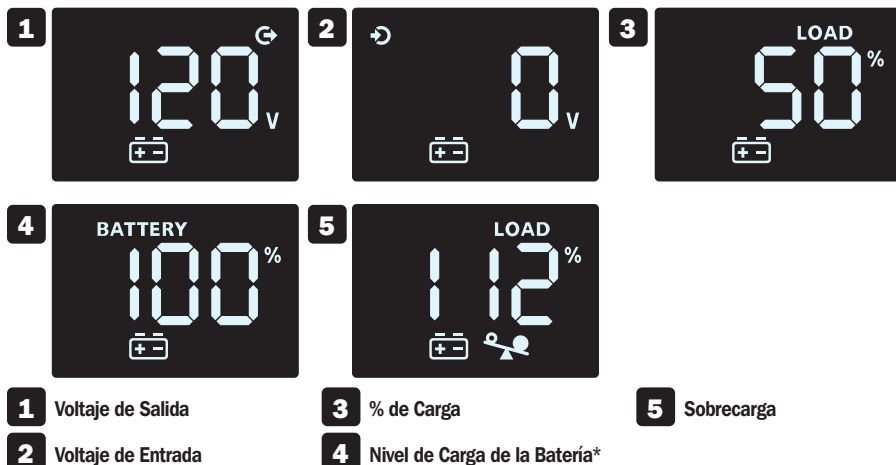
Nota: La pantalla LCD táctil se apaga automáticamente en el modo de alimentación en línea 20 segundos después de la última vez que se tocó. Para volver a activar el LCD por 20 segundos adicionales, toque la pantalla.

Modo de Operación		Descripción de la Alarma
Modo de en Respaldo por Batería	Normal	Sin Alarma
	Batería Baja	Suena Cada Segundo
	Sobrecarga	Suena Cada 0.5 Segundos
Modo En Línea	Normal	Sin Alarma
	Sobrecarga	Suena Cada 0.5 Segundos
	Reemplazo de la Batería	Suena Cada Minuto
Modo de Falla		Suena Continuamente.

Operación Básica

Datos del LCD del Modo de Alimentación por Batería

La pantalla LCD táctil ofrece 5 pantallas de información de la energía del UPS y el sitio cuando el UPS esté operando en modo de alimentación por batería. Las pantallas 1 ~ 4 (voltaje de salida, voltaje de entrada, % de carga, nivel de carga de la batería) están disponibles para visualización en modo de respaldo por batería. Para avanzar a la siguiente pantalla, toque el LCD de la pantalla frontal. La pantalla #5 (Sobrecarga) se muestra automáticamente solo cuando los tomacorrientes BATTERY/SURGE PROTECTED se cargan a niveles de más de 100%.



Nota: La pantalla LCD táctil permanecerá encendida continuamente durante la operación en el modo de respaldo por batería.

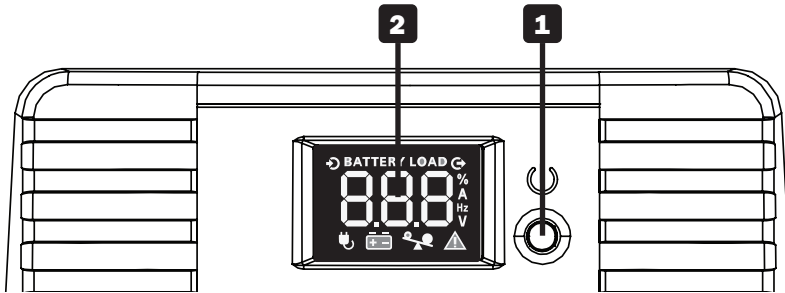
Pantallas de Fallas Críticas



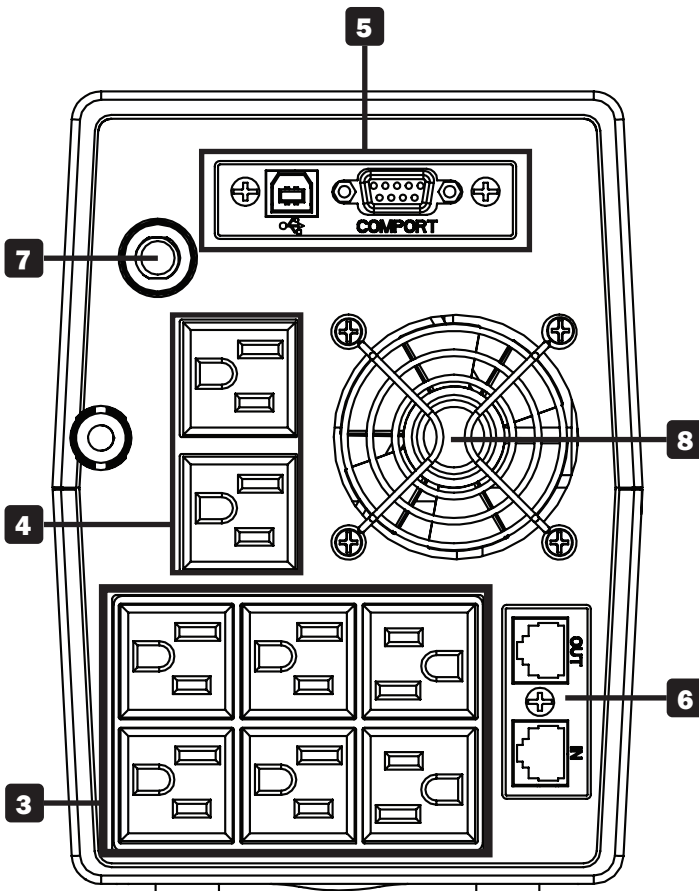
Código de Error	Falla Crítica	Solución:
F01	CORTO EN LA SALIDA	Desconecte carga(s) de los tomacorrientes del UPS. Apague el UPS y póngase en contacto con Soporte Técnico de Tripp Lite para obtener apoyo.
F02	SOBRECARGA	Elimine el exceso de carga, revise el medidor de carga en el LCD para ver el estado de la carga.
F03	SOBRECARGA	Apague la unidad, desenchufe el UPS y póngase en contacto con el Soporte Técnico de Tripp Lite para obtener apoyo
F04	VOLTAJE BAJO DE LA BATERÍA	Cargue el UPS durante 24 horas. Si el problema persiste, reemplace la batería y póngase en contacto con el Soporte Técnico de Tripp Lite.
F05	SALIDA ALTA EN MODO DE BATERÍA	Apague el UPS y póngase en contacto con el Soporte Técnico de Tripp Lite para obtener apoyo.

Características

Características del UPS



Todos los Modelos



Características

- 1 Botón ON/OFF:** Cuando el UPS esté APAGADO, presione y sostenga el botón ON/OFF hasta que se escuche un bip para ENCENDER el UPS. Cuando el UPS esté ENCENDIDO, presione y sostenga el botón ON/OFF para APAGAR el UPS.
- 2 Panel de Pantalla LCD Táctil:** proporciona el estado de la corriente del UPS. Para una descripción detallada, consulte “Mostrar Condiciones del UPS / Energía” en la sección de **Operación Básica**.
- 3 Tomacorrientes con Respaldo por Batería / Con Supresión de Sobretensiones:** Estos tomacorrientes ofrecen soporte de respaldo por batería y supresión de sobretensiones premium para dispositivos críticos que requieran soporte de respaldo por batería.
- 4 Tomacorrientes con Supresión de Sobretensiones:** Estos tomacorrientes ofrecen supresión de sobretensiones premium para dispositivos críticos.
- 5 Puertos de Comunicación USB y RS-232:** Este puerto puede conectar su UPS a cualquier computadora para guardar automáticamente la información y apagar el equipo sin supervisión en el caso de una falla de energía. Úselo con el Software PowerAlert® de Tripp Lite (disponible como descarga gratuita en triplite.com) y el cable USB incluido con su UPS. Estas conexiones son opcionales, el sistema UPS funcionará correctamente sin esta conexión.

**Todos los modelos incluyen un puerto de comunicación USB. Modelos selectos de incluyen además un puerto serial RS-232.*

Nota: Este Sistema UPS provee compatibilidad de comunicación básica con la mayoría de las aplicaciones integradas de administración de energía de Windows®, Macintosh® y Linux®.
- 6 Conectores con Protección de Línea Tel / DSL / Ethernet:** Estos conectores protegen al equipo contra sobretensiones en una sola línea telefónica o conexión de red. Conectar su equipo a estos conectores es opcional, el sistema UPS funcionará correctamente sin esta conexión.

Nota: No es compatible con aplicaciones PoE.
- 7 Breaker Restaurable del Circuito de Entrada:** Protege su circuito eléctrico contra la sobrecorriente originada en la carga del UPS. Si este breaker se dispara, retire algo de la carga y entonces reestablézcalo oprimiéndolo.
- 8 Ventilador:** Proporciona enfriamiento durante el modo de AVR o cuando el UPS esté operando en modo de respaldo por batería.

Reemplazo de la Batería

Bajo condiciones normales, la batería original de su UPS durará varios años. El reemplazo de la batería debe llevarse a cabo únicamente por personal calificado. Para información adicional, refiérase a “Advertencias para la Batería” en las **Instrucciones de Seguridad Importantes**.

Todos los modelos requieren de dos baterías de reemplazo de 12V CD, 9Ah (Tripp Lite modelo: RBC51).

Para más información sobre compatibilidad de reemplazo y pedidos, visite Tripp Lite en la Web en tripplite.com/products/battery-finder.



El reemplazo de la batería debe hacerse usando el mismo tipo y cantidad de baterías: 12V CD selladas de plomo ácido, 6 celdas y en conformidad con UL 1989.



PRECAUCIÓN: Riesgo de energía. Antes de reemplazar las baterías, retírese toda la joyería conductora tal como cadenas, relojes de pulsera y anillos. La alta energía pasando a través de materiales conductores puede causar quemaduras graves.

Almacenamiento y Servicio

Almacenamiento

Para evitar la descarga de la batería, deberá apagar y desconectar del UPS todo el equipo conectado. Presione el botón de ON/OFF y desconecte la unidad de la alimentación de CA. Su UPS se apagará totalmente (desactivado) y estará listo para su almacenamiento. Si planea guardar el sistema UPS por un período prolongado, recargue completamente las baterías del UPS cada tres meses. Enchufe el UPS en un tomacorriente activo de CA y permita que las baterías se recarguen de 4 a 6 horas. Si usted deja sus baterías del UPS descargadas por un período prolongado, sufrirán una pérdida permanente de capacidad.

Servicio

Están disponibles una gran variedad de Programas de Garantía Extendida y Servicio En Sitio por parte de Tripp Lite. Para información adicional acerca del servicio, visite tripplite.com/support.

Antes de regresar su producto para servicio, siga estos pasos:

1. Revise los procedimientos de instalación y operación en este manual para asegurar que el problema de servicio no se origina por una mala lectura de las instrucciones.
2. Si el problema persiste, no se ponga en contacto ni regrese el producto al distribuidor. En vez de ello, visite tripplite.com/support.
3. Si el problema requiere servicio, visite tripplite.com/support y haga click en la liga Product Returns. Desde aquí usted puede solicitar un número de Autorización de Devolución de Mercancía (RMA) que se requiere para servicio. Esta sencilla forma en línea le solicitará los números de modelo y serie de su unidad junto con otra información general del comprador. El número de RMA junto con las instrucciones de embarque le serán enviadas por correo electrónico. Cualquier daño (directo, indirecto, especial o consecuente) al producto incurrido durante el embarque a Tripp Lite o un Centro de Servicio Autorizado de Tripp Lite no está cubierto bajo la garantía. Los productos embarcados a Tripp Lite o un Centro de Servicio Autorizado de Tripp Lite deben tener cargos de transporte prepagados. Marque el número de RMA en el exterior del empaque. Si el producto está dentro del período de garantía, adjunte una copia de su recibo de venta. Regrese el producto para servicio usando un transportista asegurado a la dirección proporcionada a usted cuando requirió la RMA.

Especificaciones

Modelo	SMART750TSU	SMART1050TSU
Voltaje(s) nominal(es) y rango de entrada:	120V~, 89-145V~	120V~, 89-145V~
Frecuencia nominal de entrada y tolerancia:	50/60 Hz (+/- 5 Hz)	50/60 Hz (+/- 5 Hz)
Voltaje nominal de salida:	120V~ Sinusoidal en modo de línea y 120V~ PWM en modo de respaldo por batería	120V~ Sinusoidal en modo de línea y 120V~ PWM en modo de respaldo por batería
Frecuencia nominal de salida:	50/60 Hz (+/-0.5 Hz)	50/60 Hz (+/-0.5 Hz)
Regulación del voltaje de salida en modo de línea:	120V~ (+6 % / - 12 %)	120V~ (+6 % / - 12 %)
Regulación del voltaje de salida en modo de respaldo por batería:	120V~ (+/-10%)	120V~ (+/-10%)
Potencia nominal de salida en W / VA:	600W / 750VA	900W / 1 050VA
Forma de onda de voltaje de salida:	Sinusoidal en modo en línea y casi-sinusoidal (PWM) en modo de respaldo por batería	Sinusoidal en modo en línea y casi-sinusoidal (PWM) en modo de respaldo por batería
Corriente máxima de salida @ R.F.:	6.3A @ 120V~	8.8A @ 120V~
	P.F. 0.8	P.F. 0.86
Eficiencia con carga nominal:	95%	95%
Altitud máxima de operación al 100 % de la potencia nominal:	2 000 m sobre el nivel del mar	2 000 m sobre el nivel del mar
Capacidad de sobrecarga en línea:	110% @ 5 minutos	110% @ 5 minutos
Capacidad de sobrecarga en modo de respaldo por batería:	110% @ 5 segundos	110% @ 5 segundos
Limitación de corriente:	Entrada 10A	Entrada 15A
Tiempo de autonomía a plena carga:	4 minutos @ 600W	3 minutos @ 900W
Tiempo de recarga de la batería:	8 horas	8 horas
Tiempo de transferencia:	6 milisegundos típico (10 milisegundos máx.)	6 milisegundos típico (10 milisegundos máx.)
Tomacorrientes:	6x tomacorrientes 5-15R con respaldo por batería, regulación y supresión de sobretensiones; 2x tomacorrientes 5-15R solo para supresión de sobretensiones	6x tomacorrientes 5-15R con respaldo por batería, regulación y supresión de sobretensiones; 2x tomacorrientes 5-15R solo para supresión de sobretensiones
Corriente máxima de entrada:	10A	12

Cumplimiento de las Regulaciones

Aviso de Parte 68 de FCC (Estados Unidos Solamente)

Si su protección de Fax / Módem causa daño a la red telefónica, la compañía telefónica puede discontinuar temporalmente su servicio. Si es posible, le notificarán por anticipado. Si el aviso anticipado no es práctico, usted será notificado tan pronto sea posible. Usted será notificado de su derecho a llevar una reclamación a la FCC. Su compañía telefónica puede hacer cambios en sus instalaciones, equipo, operaciones o procedimientos que pudieran afectar la operación adecuada de su equipo. Si lo hace, usted tendrá una notificación anticipada para darle oportunidad para mantener un servicio ininterrumpido. Si experimenta problemas con la protección de Fax / Módem de este equipo, por favor visite tripplite.com/support para información de reparación/garantía. La compañía telefónica puede solicitarle desconectar el equipo de la red hasta que se haya corregido el problema o usted esté seguro que el equipo no está funcionando mal. No hay reparaciones que pueda realizar el usuario a la protección de Fax / Módem. Este equipo no puede usarse en servicios por monedas proporcionados por la compañía telefónica. La conexión a líneas de partes está sujeta a las tarifas estatales. (Para información, póngase en contacto con la comisión de servicios públicos o la comisión para corporaciones.)

Aviso de FCC, Clase A

Este dispositivo cumple con la parte 15 de los Reglamentos de la FCC. La operación está sujeta a las dos condiciones siguientes: (1) Este dispositivo no puede causar interferencia dañina, y (2) este dispositivo debe aceptar cualquier interferencia recibida, incluso interferencia que pueda causar una operación indeseable.

Nota: Este equipo ha sido probado y se encontró que cumple con los límites para un dispositivo digital Clase A, de acuerdo con la parte 15 de los Reglamentos de FCC. Estos límites están diseñados para proporcionar una protección razonable contra interferencia dañina cuando el equipo opere en un entorno comercial. Este equipo genera, usa y puede radiar energía de radiofrecuencia y, si no se instala y usa de acuerdo con el manual de instrucciones, puede causar interferencia dañina a las radiocomunicaciones. La operación de este equipo en un área residencial es probable que cause interferencia dañina en cuyo caso se solicitará al usuario corregir la interferencia a su costa.

ADVERTENCIA: Cambios o modificaciones no aprobadas expresamente por la parte responsable de compatibilidad puede invalidar la autoridad del usuario para operar el equipo.

Limitaciones de Conexión de Equipos (modelos con el sello de Industria de Canadá en Canadá solamente)

AVISO: La etiqueta de la Industria de Canadá identifica al equipo certificado. Esta certificación significa que el equipo cumple con los requisitos de protección de red de telecomunicaciones, operación y de seguridad según lo previsto en el(los) documento(s) correspondiente(s) de Requisitos Técnicos de Equipos de Terminal. El Departamento no garantiza que el equipo funcionará a entera satisfacción del usuario. Antes de instalar este equipo, los usuarios deben asegurarse que está permitido conectarse a las instalaciones de la empresa de telecomunicaciones local. El equipo debe también instalarse usando un método aceptable de conexión. El cliente debe ser consciente que el cumplimiento de las condiciones anteriores no puede prevenir la degradación del servicio en algunas situaciones.

Las reparaciones a equipo certificado deben ser coordinadas por un representante designado por el proveedor. Reparaciones o alteraciones hechas por el usuario a este equipo, o mal funcionamiento del equipo, pueden provocar que la empresa de telecomunicaciones solicite al usuario desconectar el equipo.

Los usuarios deben asegurarse para su propia protección de que las conexiones de puesta a tierra de la energía de la red pública, líneas telefónicas y sistema de tubería interna metálica de agua, están conectadas entre sí. Esta precaución puede ser particularmente importante en las zonas rurales. **PRECAUCIÓN:** Los usuarios no deben intentar realizar conexiones ellos mismos, pero deben comunicarse con la autoridad de inspección eléctrica apropiada o electricista, según corresponda.

Cumplimiento de las Regulaciones

Números de Identificación de Conformidad Regulatoria

Para el propósito de certificaciones e identificación de conformidad con las normas, su producto Tripp Lite ha recibido un número de serie exclusivo. El número de serie se puede encontrar en la etiqueta de placa de identificación, junto con todas las marcas e información requeridas de aprobación. Al solicitar información de conformidad para este producto, refiérase siempre al número de serie. El número de serie no debe confundirse con el nombre de la marca o el número de modelo del producto.

Tripp Lite tiene una política de mejora continua. Las especificaciones del producto están sujetas a cambios sin previo aviso. Las fotografías e ilustraciones pueden diferir ligeramente de los productos reales.

Notas sobre la etiqueta

Dos símbolos se usan en la etiqueta:

V~ : Voltaje de CA

V— : Voltaje de CD



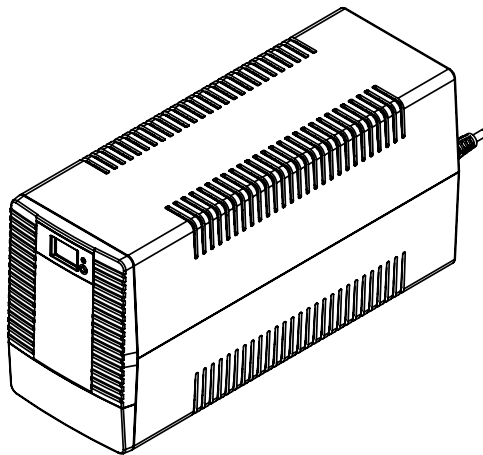
1111 W. 35th Street, Chicago, IL 60609 EE UU • tripplite.com/support

Manuel de l'utilisateur

Onduleurs

Modèles :

SMART750TSU, SMART1050TSU
(numéros de série : AG-888F, AG-8890)



English 1 • Español 15

TRIPP·LITE



1111 W. 35th Street, Chicago, IL 60609 USA • tripplite.com/support

Droits d'auteur © 2021 Tripp Lite. Tous droits réservés.

Consignes de sécurité importantes

CONSERVER CES INSTRUCTIONS.

Ce manuel contient des instructions et des avertissements qui doivent être respectés pendant l'installation, l'utilisation, l'entretien et l'entreposage de l'onduleur et des batteries. Le non-respect de ces avertissements peut avoir une incidence sur la garantie.

Mises en garde concernant le placement de l'onduleur

- Installer l'onduleur à l'intérieur, à l'écart de l'humidité ou de la chaleur, des contaminants conducteurs, de la poussière ou de la lumière directe du soleil.
- Pour un rendement optimal, maintenir la température intérieure entre 0 °C et 40 °C (32 °F et 104 °F).
- Laisser suffisamment de place autour de l'onduleur pour avoir une bonne ventilation.
- Installer l'onduleur uniquement à la verticale sur une surface plane robuste. Ne pas bloquer les ouvertures des ventilateurs ou de ventilation, car cela pourrait limiter le refroidissement interne de l'appareil et causer des dommages matériels non couverts par la garantie.

Avertissements liés au branchement de l'onduleur

- Brancher l'onduleur directement dans une prise de courant CA correctement mise à la masse. Ne pas brancher l'onduleur sur lui-même, cela aura pour effet d'endommager l'onduleur.
- Ne pas modifier la fiche de l'onduleur et ne pas utiliser d'adaptateur qui éliminerait la mise à la terre de l'onduleur.
- Ne pas utiliser de rallonges électriques pour brancher l'onduleur à une prise de courant CA.
- Si l'onduleur est alimenté à partir d'une génératrice CA entraînée par un moteur, la génératrice doit fournir une tension de sortie propre, filtrée et adaptée aux équipements informatiques.
- La prise de courant du secteur alimentant l'onduleur devrait être facilement accessible et située près de l'appareil.

Avertissements liés au branchement de l'équipement



Installer conformément aux normes ANSI/NFPA 70 de la National Electrical Code et au code canadien de l'électricité, partie I, C22.1.

Une protection de secours contre les courts-circuits et une protection contre les surintensités sont fournies par les installations du bâtiment.

Pour réduire les risques d'incendie, raccorder uniquement à un circuit fourni avec une protection contre les surcharges du circuit de dérivation maximum de 50 A conformément au National Electrical Code (NEC), ANSI/NFPA 70 ou au code local de l'électricité, partie I, C22.1. La fiche sur le cordon d'alimentation est conçue pour servir de dispositif de déconnexion. S'assurer que la prise de courant est installée à proximité de l'équipement et est facilement accessible.

Consignes de sécurité importantes

- Il n'est pas recommandé d'utiliser cet équipement pour des appareils de survie où une défaillance de cet équipement peut, selon toute vraisemblance, entraîner la défaillance de l'appareil de maintien de la vie ou affecter de façon majeure sa sécurité ou son efficacité.
- Ne pas brancher de parasurtenseurs ni de rallonges sur la prise de l'onduleur. Cela peut endommager l'onduleur et affecter les garanties de l'onduleur et du parasurtenseur.
- Brancher l'onduleur à une prise de courant qui est dûment protégée contre les courants excessifs, les courts-circuits et les défauts à la terre, faisant partie de l'installation électrique du bâtiment.

Avertissements portant sur les batteries

- Les batteries peuvent présenter un risque de décharge électrique et de brûlures causées par les courants élevés des courts-circuits. Prendre les précautions appropriées. Il n'existe aucune pièce réparable par l'utilisateur à l'intérieur de l'onduleur. Ne pas ouvrir l'onduleur sauf pour remplacer la batterie. Ne pas ouvrir les batteries. Ne pas créer de court-circuit ou de pont entre les bornes de la batterie avec un objet quelconque. Ne pas jeter de batteries dans le feu. Les batteries risqueraient d'exploser. Les substances dégagées sont dangereuses pour la peau et les yeux. Cela peut être toxique. Débrancher et éteindre l'onduleur avant de remplacer le ventilateur. Utiliser des outils ayant des poignées isolées. Le remplacement de la batterie devrait être effectué uniquement par le personnel de service autorisé en utilisant des batteries du même type portant le même numéro (batterie au plomb-acide scellée). Ne pas jeter les batteries dans le feu. Tripp Lite offre une gamme complète de cartouches de batterie de remplacement pour onduleur (R.B.C.). Visiter Tripp Lite sur le Web à tripplite.com/products/battery-finder pour trouver la batterie de remplacement qui correspond à l'onduleur.



MISE EN GARDE : Une batterie peut présenter un risque de décharge électrique et un courant élevé du court-circuit. Tout contact avec une partie d'une batterie mise à la terre pourrait causer une décharge électrique. Les précautions suivantes doivent être observées lorsque l'on manipule les batteries :

- Enlever les montres, les bagues ou tout autre objet métallique.
- Utiliser des outils ayant des poignées isolées.
- Porter des gants et des bottes en caoutchouc.
- Ne pas déposer d'outils ou de pièces métalliques sur les batteries.
- Débrancher la source de chargement et la charge avant d'installer ou d'effectuer l'entretien de la batterie.
- Retirer les mises à la terre de la batterie pendant l'installation et l'entretien pour réduire la probabilité de décharge.
- Retirer la connexion à la masse s'il est déterminé qu'une pièce de la batterie est mise à la masse.

Recyclage de l'onduleur et des batteries



Pb

Les produits Tripp Lite utilisent des batteries au plomb-acide scellées qui sont hautement recyclables.

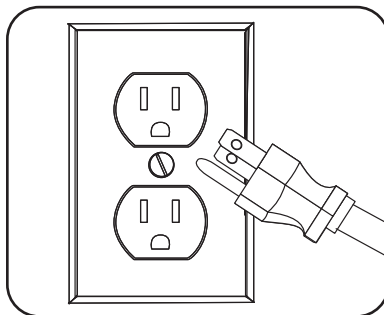
Appeler Tripp Lite au 1 773 869-1234 ou visiter tripplite.com/support/recycling-program pour de plus amples informations sur le recyclage des batteries ou tout autre produit Tripp Lite. Se reporter aux codes locaux pour les exigences en ce qui a trait à l'élimination.

Installation rapide

ÉTAPE 1 : Brancher l'onduleur à une prise de courant correctement mise à la terre.

Après avoir branché l'onduleur dans une prise murale, appuyer sur le bouton d'alimentation et le maintenir enfoncé jusqu'à ce que l'alarme commence à se faire entendre, puis le relâcher pour mettre l'onduleur sous tension.

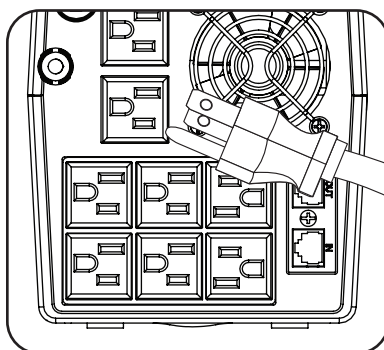
Remarque : L'onduleur ne se mettra pas automatiquement en marche à l'application de la tension du secteur.



ÉTAPE 2 : Brancher l'équipement à l'onduleur.

Il existe deux ensembles de prises de courant à l'arrière de l'onduleur. Les prises identifiées SURGE PROTECTED (protégées contre les surtensions) ne fournissent pas l'alimentation de secours des batteries lors des pannes d'électricité. Brancher les périphériques informatiques ordinaires comme les imprimantes, les numériseurs et les autres accessoires ne nécessitant pas l'alimentation de secours des batteries à ces prises de courant.

Les prises de courant identifiées BATTERY/SURGE PROTECTED (BATTERIE/PROTÉGÉES CONTRE LES SURTENSIONS) offrent le soutien des batteries de l'onduleur lors des coupures de courant. Brancher l'équipement informatique vital à ces prises.



L'onduleur n'est conçu que pour prendre en charge l'équipement électronique. L'onduleur deviendra surchargé si la valeur VA nominale totale en volts-ampères de tous les équipements branchés aux prises BATTERY/SURGE PROTECTED (batterie/protégées contre les surtensions) excède la capacité de sortie de l'onduleur. Pour trouver la valeur VA nominale des équipements, consulter leur plaque signalétique. Si les équipements indiquent une valeur en ampères, multiplier le nombre en ampères par 120 V pour déterminer la valeur VA. Par exemple : $1 \text{ A} \times 120 \text{ V} = 120 \text{ VA}$.

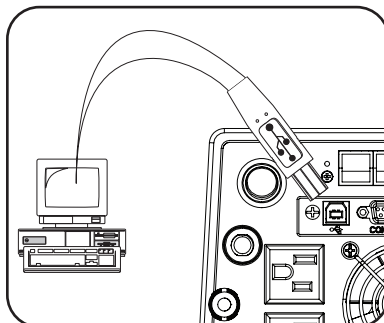
Si le panneau ACL de couleur ne s'allume pas lorsque l'onduleur est commuté sous tension (ON), essayer ce qui suit :

1. S'assurer que l'onduleur est branché dans une prise CA sous tension.
2. Appuyer sur le bouton d'alimentation pour mettre l'onduleur en marche. Un bip devrait se faire entendre au démarrage de l'onduleur.
3. Si l'onduleur ne démarre toujours pas, communiquer avec le soutien technique de Tripp Lite pour obtenir de l'aide.

Installation rapide

Installation optionnelle

Tous les modèles incluent un port de communication USB et des prises de protection contre les surtensions pour téléphone/DSL/Ethernet (non compatibles avec les applications nécessitant l'alimentation électrique par câble - PoE). Certains modèles incluent également un port de série RS-232. Ces connexions sont optionnelles, car l'onduleur fonctionnera correctement sans ces connexions.



Fonctionnement de base

Commutation en/hors tension (ON/OFF) de l'onduleur

- **Brancher l'onduleur dans une prise sous tension mise à la masse.**

L'ensemble de l'écran ACL s'allumera pendant 5 secondes, puis l'écran affichera une tension de sortie de « 0 V ». Les prises identifiées BATTERY/SURGE PROTECTED (batterie/protégées contre les surtensions) seront hors tension (OFF) et les prises identifiées SURGE ONLY (surtensions seulement) seront sous tension (ON). Le chargeur de batterie s'activera au besoin.

- **Brancher l'équipement à l'onduleur :** l'onduleur deviendra surchargé si la valeur VA nominale totale en volts-ampères (VA) de tous les équipements branchés aux prises BATTERY/SURGE PROTECTED (batterie/protégées contre les surtensions) excède la capacité de sortie de l'onduleur. Pour trouver la valeur VA nominale des équipements, consulter leur plaque signalétique. Si les équipements indiquent une valeur en ampères, multiplier le nombre en ampères par 120 V pour déterminer la valeur VA. Par exemple : $1 \text{ A} \times 120 \text{ V} = 120 \text{ VA}$.

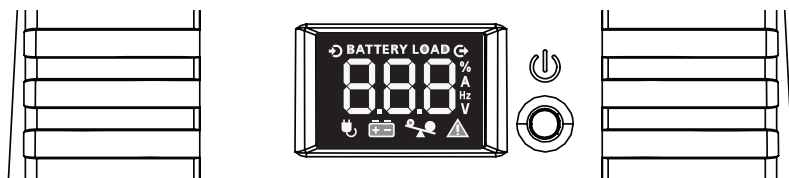
- **Mise sous tension de l'onduleur :** appuyer sur le bouton d'alimentation et le maintenir enfoncé jusqu'à ce que l'alarme commence à se faire entendre, puis le relâcher. L'alarme de l'onduleur émettra brièvement un bip. Les prises de courant identifiées BATTERY/SURGE PROTECTED (batterie/protégées contre les surtensions) commenceront à fournir de l'alimentation électrique CA. L'onduleur rechargera automatiquement les batteries internes au besoin. Une fois en marche (ON), l'onduleur est prêt à protéger l'équipement branché contre les pannes d'électricité, les chutes de tension, les surtensions et les pointes aléatoires.

- **Mise hors tension de l'onduleur :** appuyer sur le bouton d'alimentation.

Remarque : L'onduleur fonctionnera correctement lors du démarrage initial; cependant, la durée de fonctionnement maximale de la batterie de l'appareil ne sera accessible qu'après avoir été chargée pendant 24 heures.

Fonctionnement de base

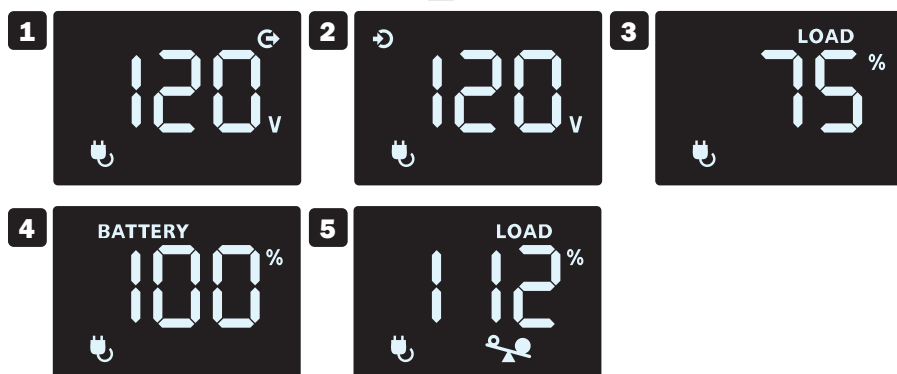
Affichage de l'onduleur/états de l'alimentation



Données de l'ACL du mode alimentation CA en ligne

L'écran tactile ACL offre 5 écrans d'information sur les alimentations de l'onduleur et du site lorsque l'onduleur fonctionne dans le mode d'alimentation en ligne. Écrans 1 à 4 (tension de sortie, tension d'entrée, % de charge, niveau de charge des batteries) peuvent être affichés en mode d'alimentation secteur. Appuyer sur l'ACL du panneau avant pour passer à l'écran suivant. L'écran n° 5 (surcharge) est affiché automatiquement uniquement lorsque le niveau de charge de l'onduleur est supérieur à 100 %.

L'écran ACL rapporte que les circuits de réduction/augmentation de l'AVR (régulation de tension automatique) sont actifs lorsque le  symbole d'alimentation en ligne clignote.



1 Tension de sortie

3 % de charge

5 Surcharge

2 Tension d'entrée

4 Niveau de charge des batteries

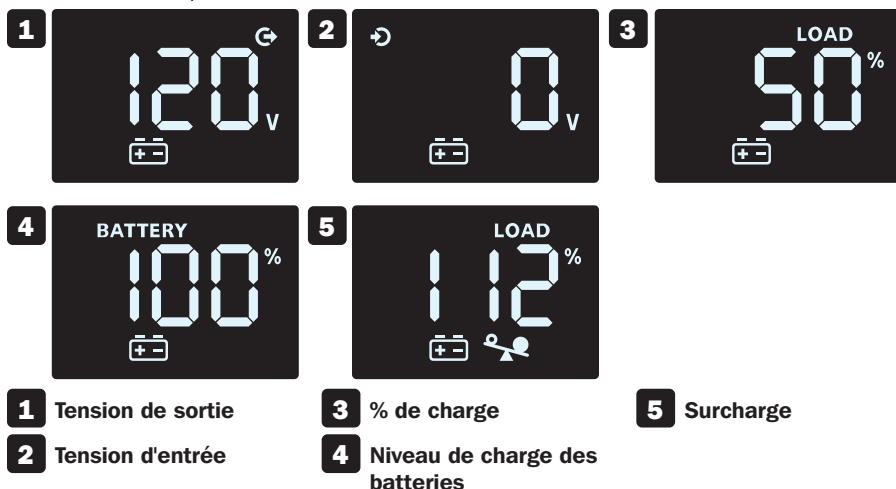
Remarque : L'écran tactile ACL s'éteint automatiquement en mode alimentation en ligne 20 secondes après la dernière fois où il a été touché. Pour réactiver l'écran ACL pour 20 secondes supplémentaires, toucher l'écran.

Mode de fonctionnement		Description de l'alarme
Mode batterie	Normal	Aucune alarme
	Batterie faible	Se fait entendre toutes les secondes
	Surcharge	Se fait entendre toutes les 0,5 seconde
Mode en ligne	Normal	Aucune alarme
	Surcharge	Se fait entendre toutes les 0,5 seconde
	Remplacer la batterie	Se fait entendre toutes les minutes
Mode d'anomalie		Se fait entendre continuellement

Fonctionnement de base

Données de l'ACL dans le mode d'alimentation par batteries

L'écran tactile ACL offre 5 écrans d'information sur les alimentations de l'onduleur et du site lorsque l'onduleur fonctionne dans le mode d'alimentation par batteries. Écrans 1 à 4 (tension de sortie, tension d'entrée, % de charge, niveau de charge des batteries) peuvent être affichés en mode d'alimentation par batterie. Appuyer sur l'ACL du panneau avant pour passer à l'écran suivant. L'écran n° 5 (surcharge) est affiché automatiquement uniquement lorsque le niveau de charge des prises identifiées BATTERY/SURGE PROTECTED (batterie/protégées contre les surtensions) est supérieur à 100 %.



Remarque : L'écran tactile ACL demeurera allumé (ON) en continu pendant le fonctionnement en mode batterie.

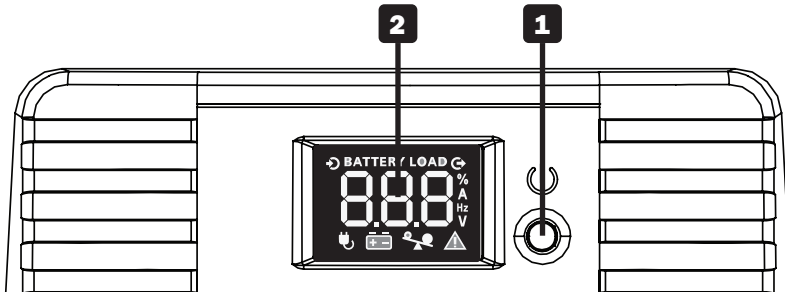
Écrans de défaillances critiques



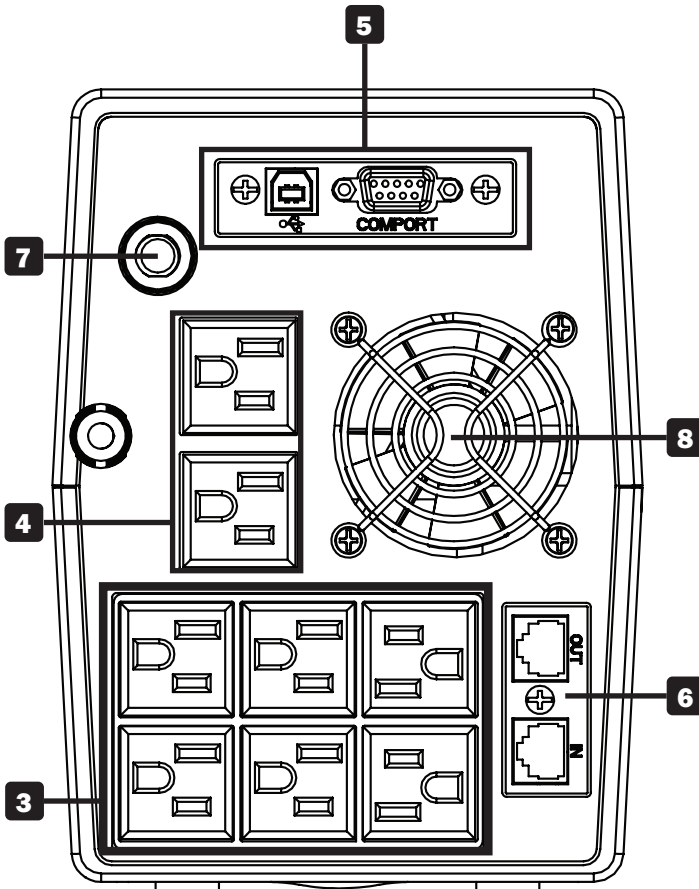
Code d'erreur	Anomalie critique	Solution
F01	COURT-CIRCUIT AU NIVEAU DE LA PRISE	Débrancher la ou les charges des prises de l'onduleur. Mettre l'onduleur hors tension, puis contacter le soutien technique de Tripp Lite pour obtenir de l'aide.
F02	OVERLOAD (surcharge)	Éliminer la charge en excès, vérifier l'indicateur de charge sur l'écran ACL pour l'état de la charge.
F03	OVERCHARGE (surcharge)	Mettre l'appareil hors tension, débrancher l'onduleur, puis contacter le soutien technique de Tripp Lite pour obtenir de l'aide.
F04	BATTERY LOW VOLTAGE (basse tension de la batterie)	Charger l'onduleur pendant 24 heures. Si le problème persiste, remplacer la batterie, puis contacter le soutien technique de Tripp Lite.
F05	BATTERY MODE HIGH OUTPUT (rendement élevé du mode batterie)	Couper l'alimentation de l'onduleur, puis contacter le soutien technique de Tripp Lite pour obtenir de l'aide.

Caractéristiques

Caractéristiques de l'onduleur



Tous les modèles



Caractéristiques

1 Bouton ON/OFF (marche/arrêt) : alors que l'onduleur est hors tension (OFF), appuyer sur le bouton ON/OFF (marche/arrêt) et le maintenir enfoncé jusqu'à ce qu'un bip se fasse entendre pour mettre l'onduleur sous tension. Alors que l'onduleur se trouve sous tension, appuyer sur le bouton ON/OFF (marche/arrêt) et le maintenir enfoncé pour mettre l'onduleur hors tension.

2 Panneau d'écran tactile ACL : fournit l'état du courant de l'onduleur. Pour une description détaillée, se référer à « Afficher les conditions de l'onduleur/alimentation » dans la section **Fonctionnement de base**.

3 Prises d'alimentation de secours protégées contre les surtensions : ces prises offrent l'alimentation de secours à partir des batteries et une suppression des surtensions de haute qualité pour les appareils critiques nécessitant le support de l'alimentation de secours des batteries.

4 Prises protégées contre les surtensions : ces prises offrent une suppression des surtensions pour les appareils critiques.

5 Ports de communication USB et RS-232 : ces ports permettent de brancher l'onduleur à n'importe quel ordinateur pour la sauvegarde automatique de fichiers et la commutation hors tension sans surveillance dans le cas d'une coupure de courant. Utiliser avec le logiciel PowerAlert® de Tripp Lite (offert GRATUITEMENT en téléchargement à tripplite.com) et un câble USB inclus avec l'onduleur. Ces connexions sont facultatives, l'onduleur fonctionnera correctement sans ces connexions.

**Tous les modèles incluent un port de communication USB. Certains modèles incluent également un port de série RS-232.*

Remarque : Cet onduleur offre la compatibilité de base avec la plupart des applications de gestion d'alimentation intégrées Windows®, Macintosh® et Linux®.

6 Prises de protection de ligne Tel/DSL/Ethernet : ces prises protègent contre les surtensions une ligne téléphonique ou une connexion de réseau individuelle de l'équipement. Le raccordement de l'équipement à ces prises est facultatif, l'onduleur fonctionnera correctement sans ce branchement.

Remarque : Non compatible pour les applications nécessitant l'alimentation électrique par câble Ethernet (PoE).

7 Disjoncteur réarmable du circuit d'entrée : protège le circuit électrique des surintensités causées par la charge de l'onduleur. Si ce disjoncteur se déclenche, enlever une partie de la charge, puis réarmer le disjoncteur en l'enfonçant en place.

8 Ventilateur : assure le refroidissement en mode AVR ou lorsque l'onduleur fonctionne en mode batterie.

Remplacement des batteries

Dans des conditions normales, les batteries originales de l'onduleur dureront plusieurs années. Le remplacement des batteries devrait être confié uniquement à un personnel qualifié. Se référer aux « Avertissements portant sur les batteries » de la section **Consignes de sécurité importantes** pour de plus amples informations.

Tous les modèles nécessitent deux batteries de remplacement de 12 V CC, 9 Ah (modèle Tripp Lite : RBC51).

Pour plus de renseignements relatifs à la compatibilité et pour commander, visiter tripplite.com/products/battery-finder.



Le remplacement des batteries doit être effectué en utilisant le même nombre et le même type de batteries : au plomb-acide scellées de 12 V CC, 6 éléments et conformes à la norme UL 1989.



MISE EN GARDE : Risque de décharge électrique. Avant de remplacer les batteries, enlever les bijoux conducteurs comme les chaînes, les montres et les bagues. De la haute énergie circulant à travers des matériaux conducteurs peut causer des brûlures graves.

Entreposage et entretien

Entreposage

Pour éviter la décharge des batteries, tout l'équipement branché devrait être commuté hors tension (OFF) et débranché de l'onduleur. Appuyer sur le bouton d'alimentation, puis débrancher l'appareil de l'alimentation CA. L'onduleur sera complètement hors tension (désactivé) et prêt pour l'entreposage. Si l'onduleur est entreposé pour une période de temps prolongée, recharger complètement les batteries de l'onduleur une fois tous les trois mois. Brancher l'onduleur dans une prise CA sous tension, puis permettre aux batteries de se charger pendant 4 à 6 heures. Si les batteries de l'onduleur sont laissées déchargées pendant une période de temps prolongée, cela nuira à leur capacité de façon permanente.

Entretien

Une variété de programmes de garantie prolongée et de service d'entretien sont également offerts par Tripp Lite. Pour obtenir plus de renseignements sur le service, visiter tripplite.com/support.

Avant de retourner le produit pour la réparation, procéder comme suit :

1. Passer en revue les procédures d'installation et de fonctionnement dans ce manuel afin de s'assurer que le problème ne provient pas d'une mauvaise interprétation des instructions.
2. Si le problème persiste, ne pas communiquer avec le fournisseur et ne pas lui renvoyer le produit. Visiter plutôt tripplite.com/support.
3. Si le problème nécessite une réparation, visiter tripplite.com/support et cliquer sur le lien de retours de produit. À partir de ce point, il est possible de demander une autorisation de retour de matériel (RMA), qui est requise pour le service. Ce simple formulaire en ligne demandera le modèle de l'appareil et le numéro de série, ainsi que d'autres informations générales. Le numéro d'autorisation du retour du matériel ainsi que les instructions pour l'expédition seront envoyés par courrier électronique. Les dommages (directs, indirects, particuliers ou consécutifs) encourus par le produit lors du transport à Tripp Lite ou à un service autorisé Tripp Lite ne sont pas couverts par la garantie. Les frais liés au transport des produits expédiés à Tripp Lite ou à un centre de service autorisé Tripp Lite doivent être entièrement payés d'avance. Inscrire le numéro de RMA à l'extérieur de l'emballage. Si le produit est dans sa période de garantie, joindre une copie du reçu de caisse. Retourner le produit pour réparation par un transporteur assuré à l'adresse fournie lors de la demande de « RMA ».

Caractéristiques techniques

Modèle	SMART750TSU	SMART1050TSU
Tension(s) nominale(s) d'entrée et plage :	120 V~, 89-145 V~	120 V~, 89-145 V~
Fréquence d'entrée nominale et tolérance :	50/60 Hz (+/- 5 Hz)	50/60 Hz (+/- 5 Hz)
Tension de sortie nominale :	120 V~ sinusoïdale en mode en ligne et 120 V~ à modulation de largeur d'impulsion en mode batterie	120 V~ sinusoïdale en mode en ligne et 120 V~ à modulation de largeur d'impulsion en mode batterie
Fréquence de sortie nominale :	50/60 Hz (+/-0,5 Hz)	50/60 Hz (+/-0,5 Hz)
Régulation de tension de sortie en mode en ligne :	120 V~ (+6 %/- 12 %)	120 V~ (+6 %/- 12 %)
Régulation de tension de sortie en mode batterie :	120 V~ (+/-10 %)	120 V~ (+/-10 %)
Puissance nominale de sortie en W/VA :	600 W / 750 VA	900 W / 1 050 VA
Formes d'onde de tension de sortie :	Sinusoïdale en mode en ligne et quasi-sinusoïdale (à modulation de largeur d'impulsion) en mode batterie	Sinusoïdale en mode en ligne et quasi-sinusoïdale (à modulation de largeur d'impulsion) en mode batterie
Intensité maximale de sortie @ P.F. :	6,3 A @ 120 V~	8,8 A @ 120 V~
	P.F. 0,8	P.F. 0,86
Efficacité avec la charge nominale :	95%	95%
Altitude de fonctionnement maximum à 100 % de la puissance nominale :	2 000 m (6 562 pi) au-dessus du niveau de la mer	2 000 m (6 562 pi) au-dessus du niveau de la mer
Capacité de surcharge en ligne :	110 % @ 5 minutes	110 % @ 5 minutes
Capacité de surcharge en mode batterie :	110 % @ 5 secondes	110 % @ 5 secondes
Limitation de courant :	Entrée 10 A	Entrée de 15 A
Durée d'autonomie à pleine charge :	4 minutes @ 600 W	3 minutes @ 900 W
Temps de recharge de la batterie :	8 heures	8 heures
Temps de transfert :	6 millisecondes typiques (10 millisecondes max.)	6 millisecondes typiques (10 millisecondes max.)
Prises :	6x prises 5-15R avec batterie de secours, régulation et surtension; 2x prises 5-15R pour surtensions seulement	6x prises 5-15R avec batterie de secours, régulation et surtension; 2x prises 5-15R pour surtensions seulement
Courant d'entrée maximum :	10 A	12 A

Conformité réglementaire

Avis de la FCC, section 68 (États-Unis seulement)

Si le modem ou le télécopieur de votre système de protection endommage le réseau téléphonique, la compagnie de téléphone peut discontinuer temporairement ses services. Si possible, elle vous avisera à l'avance. Si le préavis n'est pas possible, vous serez avisé le plus rapidement possible. Vous serez avisé de votre droit de porter plainte auprès de la FCC. Votre compagnie de téléphone peut apporter des changements à ses installations, exploitation ou procédures pouvant nuire au fonctionnement normal de votre équipement. Si tel est le cas, vous serez avisé à l'avance pour vous fournir l'occasion de maintenir un service ininterrompu. Si vous avez des troubles avec le système de protection du modem ou du télécopieur de cet équipement, veuillez visiter tripplite.com/support pour obtenir des renseignements sur la réparation et la garantie. La compagnie de téléphone peut vous demander de débrancher cet équipement du réseau jusqu'à ce que le problème soit corrigé ou que vous soyez convaincu que l'équipement fonctionne correctement. Aucune réparation ne peut être effectuée par le client au système de protection du modem ou du télécopieur. Cet équipement ne peut pas être utilisé sur le service payant offert par la compagnie de téléphone. La connexion aux lignes partagées est assujettie aux tarifs de l'État. (Contactez la Public Utility Commission ou la Corporation Commission de votre État pour obtenir plus de renseignements.)

Avis de la FCC, classe B

Cet appareil est conforme à la partie 15 des règlements de la FCC. Son fonctionnement est susceptible des 2 cas suivants : (1) cet appareil peut causer des interférences nuisibles et (2) cet appareil doit accepter toutes les interférences reçues, y compris les interférences qui peuvent causer un fonctionnement indésirable.

Remarque : Ce matériel a été testé et trouvé conforme aux restrictions applicables à un appareil numérique de classe A, conformément à la partie 15 des règlements de la FCC. Ces restrictions sont conçues pour assurer une protection raisonnable contre les perturbations nuisibles lorsque le matériel est utilisé dans un environnement commercial. Ce matériel génère, utilise et peut émettre de l'énergie radiofréquence et, s'il n'est pas installé et utilisé conformément aux instructions, peut causer des perturbations nuisibles aux communications radio. L'utilisation de cet équipement dans une zone résidentielle est susceptible d'entraîner des interférences dangereuses auquel cas l'utilisateur devra corriger les interférences à ses propres frais.

AVERTISSEMENT : Tout changement ou toute modification apportés sans l'autorisation expresse de l'autorité responsable de la conformité pourrait annuler le droit de l'utilisateur d'utiliser cet équipement.

Restrictions portant sur les accessoires de l'équipement (modèles avec une vignette d'Industrie Canada au Canada seulement)

AVIS : La vignette d'Industrie Canada identifie l'équipement certifié. Cette certification signifie que l'équipement répond aux exigences en matière de protection, de fonctionnement et de sécurité du réseau de télécommunications comme prescrit dans le ou les documents des exigences techniques de l'équipement terminal approprié/appropriés. Le Ministère ne garantit pas que l'équipement fonctionnera à la satisfaction de l'utilisateur. Avant d'installer cet équipement, les utilisateurs devraient s'assurer que l'équipement est autorisé à être branché aux installations de la compagnie de télécommunications locale. De plus, l'équipement doit être installé en utilisant une méthode de connexion acceptable. Le client devrait être au courant que la conformité aux conditions qui précèdent peut ne pas prévenir la dégradation du service dans certaines situations.

Les réparations effectuées à l'équipement certifié devraient être coordonnées par un représentant désigné par le fournisseur. Toute réparation ou modification effectuée par l'utilisateur à cet équipement, ou pour corriger les pannes de l'équipement, peut avoir comme résultat que la compagnie de télécommunications demande à l'utilisateur de débrancher l'équipement.

Les utilisateurs devraient s'assurer pour leur propre protection que les connexions électriques à la terre de l'alimentation du secteur, des lignes téléphoniques et le système de tuyauterie métallique interne pour l'eau, s'il en existe, soient bien reliés ensemble. Cette précaution peut être particulièrement importante dans les secteurs ruraux. Mise en garde : Les utilisateurs ne devraient pas tenter d'effectuer les connexions eux-mêmes; ils devraient contacter l'agence d'inspection électrique ou un électricien selon le cas.

Conformité réglementaire

Numéros d'identification à la conformité réglementaire

À des fins de certification de conformité réglementaire et d'identification, un numéro de série unique a été attribué au produit Tripp Lite. Le numéro de série, ainsi que toutes les marques d'homologation et les renseignements requis, se trouvent sur la plaque signalétique du produit. Lorsque des renseignements sont demandés concernant la conformité de ce produit, toujours se reporter au numéro de série. Le numéro de série ne doit pas être confondu avec le nom de la marque ou le numéro de modèle du produit.

La politique de Tripp Lite est une d'amélioration continue. Les caractéristiques techniques sont modifiables sans préavis. Les produits réels peuvent différer légèrement des photos et des illustrations.

Remarque au sujet de l'étiquetage

Deux symboles sont utilisés sur l'étiquette :

V~ : tension CA

V=== : tension CC



D'excellence
Industrielle.

1111 W. 35th Street, Chicago, IL 60609 USA • triplite.com/support