

Samsung "Max Heat" FJM Series, 4 Port Condensing Unit

Job Name _____
 Purchaser _____
 Submitted to _____
 Unit Designation _____

Location _____
 Engineer _____
 Reference _____ Approval _____ Construction _____
 Schedule # _____



Model	US Code	JXH36S4B	
	Model Number	AJ036BXS4CH/AA	
Performance*	Capacity (standard / max.)	Cooling (Btu/h)	34,000 / 39,600
		Heating (Btu/h)	36,000 / 36,600
	Heating Capacity at 5°F OA, 70° Indoor DB (Btu/h)		36,600
	Heating Capacity at -13°F OA, 70° Indoor DB (Btu/h)		25,590
	Minimum Cooling Capacity (Btu/h)		6,500
	Minimum Heating Capacity (Btu/h)		7,500
	SEER (Ducted / Mixed / Non-ducted)		18.0 / 19.0 / 20.0
	EER (Ducted / Mixed / Non-ducted)		11.0 / 11.75 / 12.5
HSPF (Ducted / Mixed / Non-ducted)		9.1 / 9.8 / 10.5	
Power	Voltage	(ø)V/Hz	1 / 208-230 / 60
	Nominal Current ¹	Cooling (A)	13.0
		Heating (A)	12.2
	Max. Breaker	Amps	40
	Minimum Circuit Ampacity (A)		36.5
Dimensions	W X H X D	Inches	37 x 47 5/8 x 13
	Weight	lbs.	192.9
Noise Level	Cooling	dB (A)	52
	Heating	dB (A)	55
Operating Temperatures	Cooling	14 ~ 114.8°F (-5 ~ 46.0°C)	
	Heating	-13 ~ 75°F (-25 ~ 24.0°C)	
Pipe Connections	High Side		1/4" X 4
	Low Side (suction)		3/8" X 2 + 1/2" X 2
	Maximum Individual Line Set Length		82 ft
	Maximum Line Set Length (total)		230 ft
	Maximum Vertical Separation	Outdoor to Indoor	49 ft
		Highest to lowest indoor	25 ft
Included Pipe Adapters		2 - 1/2" X 3/8", 2 - 1/2" X 5/8"	
Condenser Fan	Motor		BLDC With Propeller Fan (2)
	Output	Watts / FLA	125 X 2 / 1.28 X 2
		CFM	3,885
Compressor	Type		Twin BLDC Rotary Inverter
	RLA	Amps	25.6
Heat Exchanger	Type	Aluminum Fin - Copper Tube	
Refrigerant	Type		R410A
	Control Method		Electronic Expansion Valve
	Factory Charge		127 oz
	Charged for		164 ft
Additional Refrigerant		0.22 oz/ft over 164 ft	
Accessories	Wall Bracket		CKN-250
	Wind Baffle	Front	WBF-1M2
		Back	WBB-2M-B
Certifications	Safety		ETL (UL 1995)
	AHRI Certification Number	Non-Ducted	207349920
		Ducted	207350085
		Mixed	207350834
ENERGY STAR® Certification		Applies to AHRI non ducted listing	
Warranty	10 Years compressor, 10 year parts, 1 year limited labor (registration required)		

General Information

- The Samsung Max Heat system shall provide high heating capacity at -13°F outside temperature
- The outdoor unit shall supply power individually to the indoor units via 14 AWG X 3 power wire
- The outdoor unit shall have a base pan heater as standard to ensure optimal defrost cycle water drainage
- Auto-restart after power loss
- Available maximum current setting option to reduce operating current.
- System energy consumption can be viewed using Samsung SmartThings mobile app (not revenue grade, for reference only).
- Soft-start to reduce current demand during compressor start
- Auto or manual addressing of indoor units

Construction

- The outdoor unit shall be galvanized steel with a baked on powder coated finish for durability

Heat Exchanger

- The heat exchanger shall be mechanically bonded fin to copper tube

Controls

- Control signal shall be a DDC type signal
- Interconnect control wire between outdoor and indoor units shall be 16AWG X 2
- Controls shall integrate with a BMS system
- The system shall integrate with the Samsung Controls solution

Refrigerant System

- The refrigerant shall be R410A
- The compressor shall be hermetically sealed, inverter controlled, Twin BLDC Rotary
- Refrigerant flow shall be controlled by 4 separate electronic expansion valves at outdoor unit

Indoor Unit Compatibility

Will only operate with Samsung evaporator model numbers:
 AR**TSFABWKNCV (RNS**ABT): 7,000 - 24,000 Btu/h models
 AR**BSFCMWNKNCV (RNS**CMB): 7,000 - 24,000 Btu/h models
 AR**TSFYBWKNCV (RNS**YBT): 7,000 - 24,000 Btu/h models
 AC0**BNNDCH/AA (CNH**NDB): 9,000 - 18,000 Btu/h models
 AC0**BN1DCH/AA (CNH**1DB): 9,000 - 12,000 Btu/h models
 AC0**BNJDCH/AA (CNH**JDB): 9,000 - 18,000 Btu/h models
 AC0**BNLDCH/AA (CNH**LDB): 9,000 - 18,000 Btu/h models
 AC0**BNZDCH/AA (CNH**ZDB): 12,000 - 24,000 Btu/h models
 AJ0**BNHDCH/AA (JNH**HDB): 9,000 - 18,000 Btu/h models

Proper sizing and installation of equipment is critical to achieve optimal performance. Split system air conditioners and (excluding ductless systems) must be matched with appropriate coil components to meet ENERGY STAR® criteria. Ask your contractor for details or visit www.energystar.gov.

* Certified in accordance with the AHRI Unitary Small Air-Source Heat Pumps (USHP) Certification Program which is based on the latest edition of AHRI Standard 210/240. Refer to www.AHRIdirectory.org for current reference numbers.

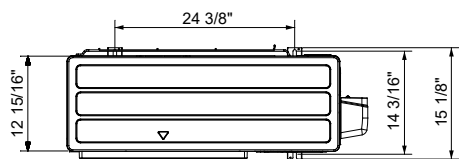
¹ Rated current is based on highest combination ratio of non-ducted indoor units.

Samsung HVAC maintains a policy of ongoing development, specifications are subject to change without notice.

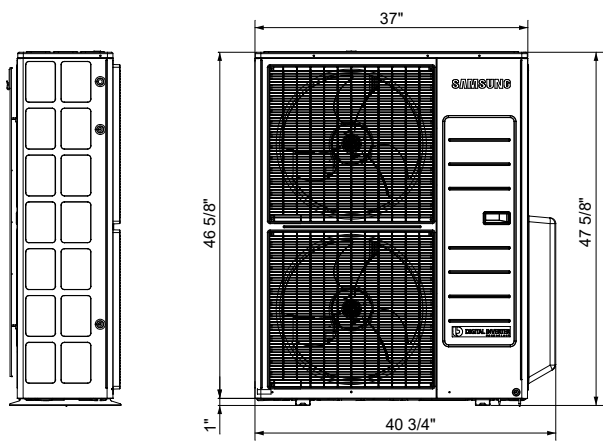


Samsung "Max Heat" FJM Series, 4 Port Condensing Unit

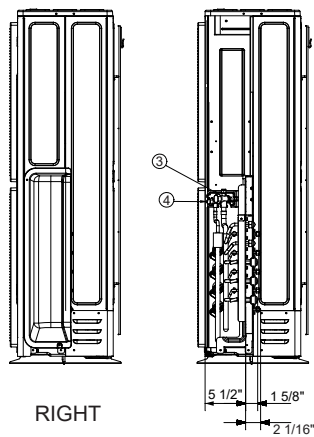
Dimensional drawing



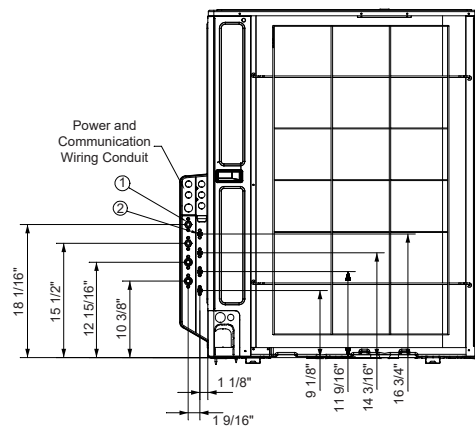
TOP



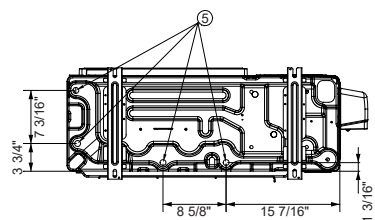
FRONT



RIGHT



BACK



BOTTOM

No.	Name	Description
1	Refrigerant suction pipes	$\phi 3/8" \times 2, \phi 1/2" \times 2$
2	Refrigerant liquid pipes	$\phi 1/4" \times 4$
3	Service Valve (suction)	5/8"
4	Service Valve (liquid)	3/8"
5	Drain holes	Connection with provided drain fitting

Samsung "Max Heat" FJM Series, 4 Port Condensing Unit

Indoor unit connection options

Indoor Unit Connection Options

Unit Qty.	Indoor Nominal Capacity (K Btu/h)				Duct S / MPAH Compatibility*		Connected Capacity (K Btu/h)
	A	B	C	D	Duct S	MPAH	
2	7	7					14
	7	9			•		16
	7	12			•	•	19
	7	15			•		22
	7	18			•	•	25
	7	24				•	31
	9	9			•		18
	9	12			•	•	21
	9	15			•		24
	9	18			•	•	27
	9	24			•	•	33
	12	12			•	•	24
	12	15			•	•	27
	12	18			•	•	30
	12	24			•	•	36
	15	15			•		30
	15	18			•	•	33
	15	24					39
	18	18			•	•	36
	18	24					42
24	24					48	
3	7	7	7				21
	7	7	9		•		23
	7	7	12		•	•	26
	7	7	15		•		29
	7	7	18		•	•	32
	7	7	24				38
	7	9	9		•		25
	7	9	12		•	•	28
	7	9	15		•		31
	7	9	18		•	•	34
	7	9	24				40
	7	12	12		•	•	31
	7	12	15		•	•	34
	7	12	18				37
	7	12	24				43
	7	15	15				37
	7	15	18				40
	7	15	24				46
	7	18	18				43
	9	9	9		•		27
	9	9	12		•	•	30
	9	9	15		•		33
	9	9	18		•	•	36
	9	9	24				42
	9	12	12		•	•	33
	9	12	15		•	•	36
	9	12	18				39
	9	12	24				45
	9	15	15				39
	9	15	18				42
	9	15	24				48
	9	18	18				45
	12	12	12		•	•	36
	12	12	15				39
	12	12	18				42
	12	12	24				48
12	15	15				42	
12	15	18				45	
12	18	18				48	
15	15	15				45	
15	15	18				48	

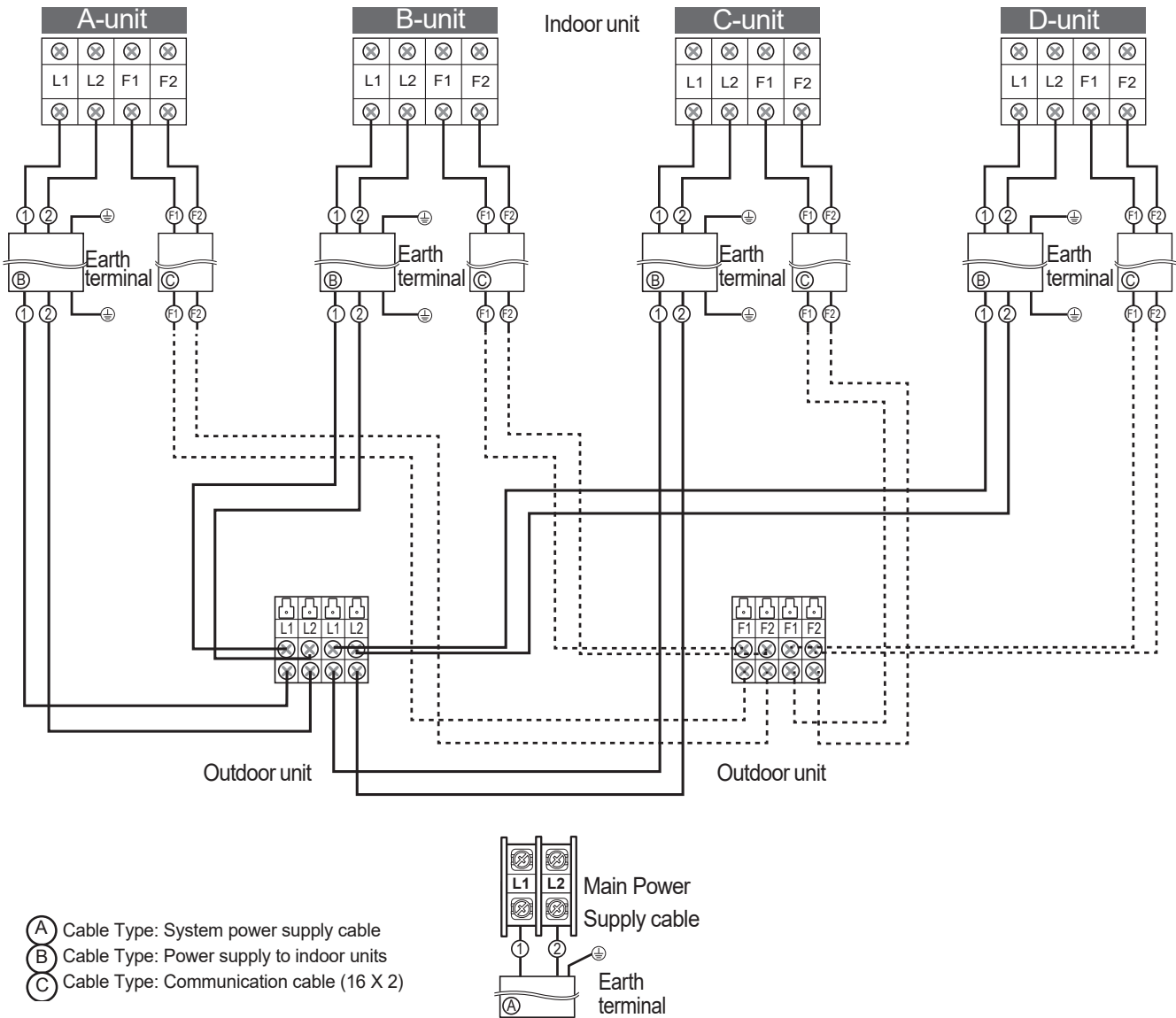
Unit Qty.	Indoor Nominal Capacity (K Btu/h)				Duct S / MPAH Compatibility*		Connected Capacity (K Btu/h)
	A	B	C	D	Duct S	MPAH	
4	7	7	7	7			28
	7	7	7	9			30
	7	7	7	12			33
	7	7	7	15			36
	7	7	7	18			39
	7	7	7	24			45
	7	7	9	9			32
	7	7	9	12			35
	7	7	9	15			38
	7	7	9	18			41
	7	7	9	24			47
	7	7	12	12			38
	7	7	12	15			41
	7	7	12	18			44
	7	7	12	24			44
	7	7	15	15			44
	7	7	15	18			47
	7	9	9	9			34
	7	9	9	12			37
	7	9	9	15			40
	7	9	9	18			43
	7	9	12	12			40
	7	9	12	15			43
	7	9	12	18			46
	7	9	15	15			46
	7	12	12	12			43
	7	12	12	15			46
	9	9	9	9			36
	9	9	9	12			39
	9	9	9	15			42
	9	9	9	18			45
	9	9	12	12			42
	9	9	12	15			45
	9	9	12	18			48
	9	9	15	15			48
	9	12	12	12			45
	9	12	12	15			48
	12	12	12	12			48

* Combattable combination that includes 1 X MPAH (AC0**BNZDCH/AA) OR 1 X Duct S (AJ0**BNHDCH/AA) unit.

Notes

1. Only 1 X MPAH (AC0**BNZDCH/AA) OR 1 X Duct S (AJ0**BNHDCH/AA) unit can be connected to a single FJM outdoor unit.
2. Applies to outdoor units manufactured after 4/30/2022.
3. Refer to supporting technical data book (TDB) for indoor unit compatibility available at www.SamsungHVAC.com.

Basic Wire Connection Diagram



This simple wiring diagram is for reference only. Please refer to installation manuals for full details and requirements.