

NE63B821SS

SAMSUNG

Samsung Front Control Slide-in Induction Range

6.3 cu. ft. Capacity



Signature Features

Fast Focused Heat

- Our induction cooktops get hot faster than gas or electric burners. They generate heat directly through the cookware itself for a quick, concentrated boost in temp.

Instant Temperature Control

- Induction burners feature precise heat control, immediately raising or lowering the temperature, for a more responsive and accurate cooking experience.

Easy-to-Clean Cooktop

- Our induction cooktop has a smooth glass surface that cools quickly to prevent food from sticking and make for easy clean-up.

Available Colors



Fingerprint Resistant
Stainless Steel (shown)



Fingerprint Resistant
Black Stainless Steel

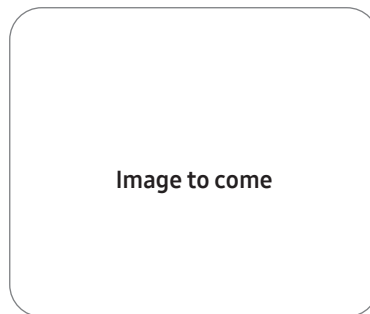


Image to come

Fast Focused Heat

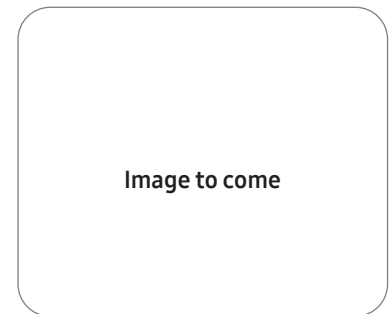


Image to come

Instant Temperature Control

Features

- Ready2Fit™ Guarantee
- Fingerprint Resistant Finish
- Large Oven Capacity – 6.3 cu. ft.
- Glass Touch Controls
- Storage Drawer

- Four Burner Cooktop
 - 11" 2400 W, Boost 3200 W
 - 7" 1800 W, Boost 2300 W (2)
 - 6" 1200 W, Boost 2000 W

Convenience

- Wi-Fi Connectivity
- Voice-Enabled
- Self & Steam Clean
- Hidden Bake Element
- Child Safety Lock
- Delay Start
- Auto Oven Light
- Kitchen Timer
- Sabbath Mode



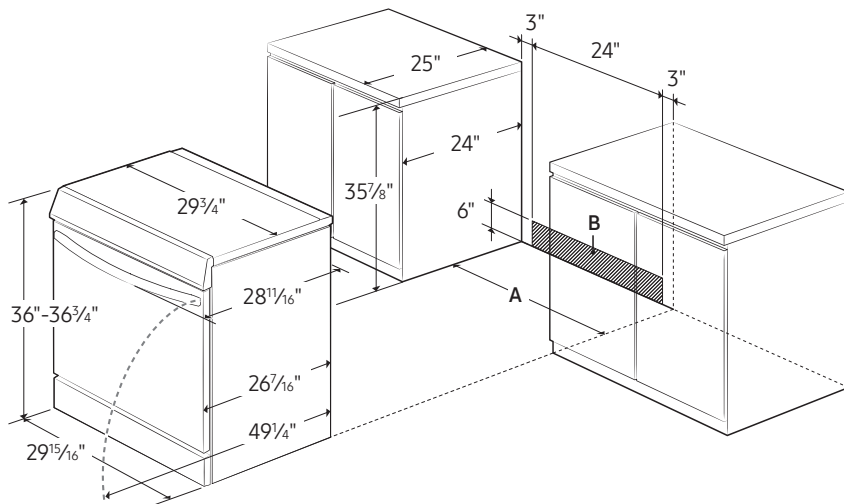
NE63B8211

SAMSUNG

Samsung Front Control Slide-in Induction Range

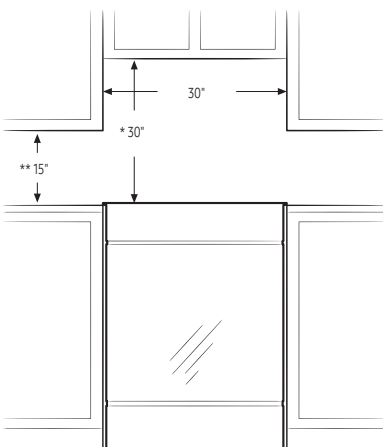
6.3 cu. ft. Capacity

Installation Specifications



A: Cabinet opening min 30"
B: Acceptable electrical outlet area

IMPORTANT: If your cabinets are over 36³/₄" high, you must install this range on a hard, heat-resistant support that raises the surface of the range so that it is about even with the countertop.



* 30" minimum clearance between the top of the cooking surface and the bottom of an unprotected wood or metal cabinet; or 24" minimum when the bottom of the wood or metal cabinet is protected by not less than 1/4" of flame retardant millboard covered with not less than no.28 MSG sheet steel, 0.015" stainless steel, 0.024" aluminum, or 0.020" copper.

**15" minimum between the countertop and the adjacent cabinet bottom.

IMPORTANT: Consult with Installation Manual for detailed instructions before installing. All ranges must be installed with the Anti-Tip device that is included.

Power Source

240V/208V/60 Hz/40A

Electric Ceramic Cooktop

- Right Front: 11", 2400 W, Boost 3200 W
- Left Front: 7", 1800 W, Boost 2300 W
- Right Rear: 6", 1200 W, Boost 2000 W
- Left Rear: 7", 1800 W, Boost 2300 W

Oven

- Capacity: 6.3 cu. ft.
- Hidden Bake Element
- Bake
- Variable Broil: Low/High
- Bread Proof
- Favorite Cook (App Based)
- Keep Warm

Warranty

One (1) Year Parts and Labor

Product Dimensions & Weight (WxHxD)

Oven Interior Dimensions:

24¹³/₁₆" x 22⁷/₁₆" x 19³/₄"

Outside Net Dimensions:

29¹⁵/₁₆" x 36-36³/₄" (Adjustable) x 28¹¹/₁₆"

Weight: 166 lbs

Shipping Dimensions & Weight (WxHxD)

Dimensions:

33¹/₁₆" x 41³/₄" x 30⁵/₁₆"

Weight: 189 lbs

Color

Fingerprint Resistant
Stainless Steel

Model

NE63B8211SS

UPC Code

887276627656

Fingerprint Resistant

Black Stainless Steel

NE63B8211SG

887276627649

