

Customer name: Shenzhen Bolaide Technology Co.,Ltd

Customer part number: BLW01-1

Material name: Wireless charging and transmitting coil

Brand name: Jelitong Technology

Specification and model:T25*23* 2.6 8.1uH 10%

edition: 1

Production lot/material number:

Sample delivery date: 2023-04-28

Sample signing date:

Customer recognition:				Supplier recognition:		
purchase	ENGINEER	examine	Comment	Work out	examine	Give permission
	RING			Chen Cuizhu	Li Shupo	Zhang Jun

Shenzhen Bolaide Technology Co.,Ltd

Phone: 0755-3361 6363

Fax: 0755-3306 5865

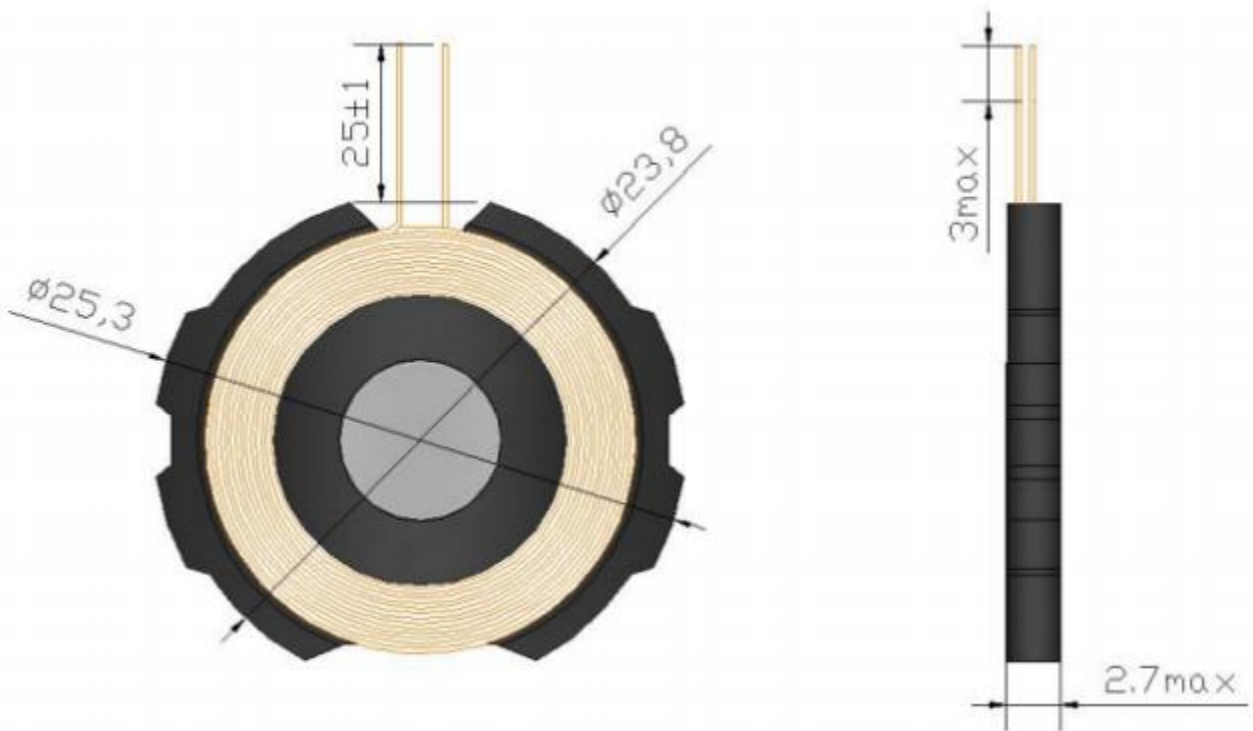
Contact: sheng quan

Address: Room 922,Hongyu Building ,Longguan Road,Longhua,Shenzhen City,China

1. Basic specification

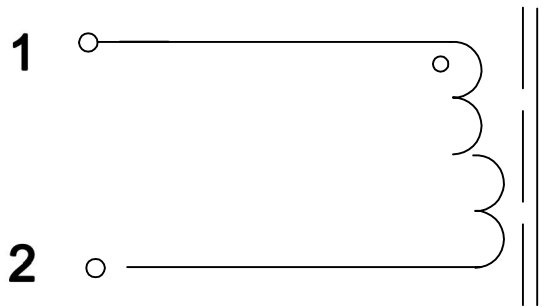
No.	Product	Model	apply	manufacturer	remark
1	Wireless charging transmitter coil	25*23*2.7			

2. Dimensions (unit :mm)



Operating frequency: 300kHz-350kHz
Antenna gain:0dBi

3. Schematic diagram



4. Winding technology

N0	winding	Wire gauge	Start	Tail	turns	rubber rings	Winding
1	N1	2UEW-0.08*24P	1	2	14Ts		
2							
3							
4							

5. Electrical property parameter

5.1 Test condition: Ambient humidity: 65±20%

Ambient temperature: 25±5 °C

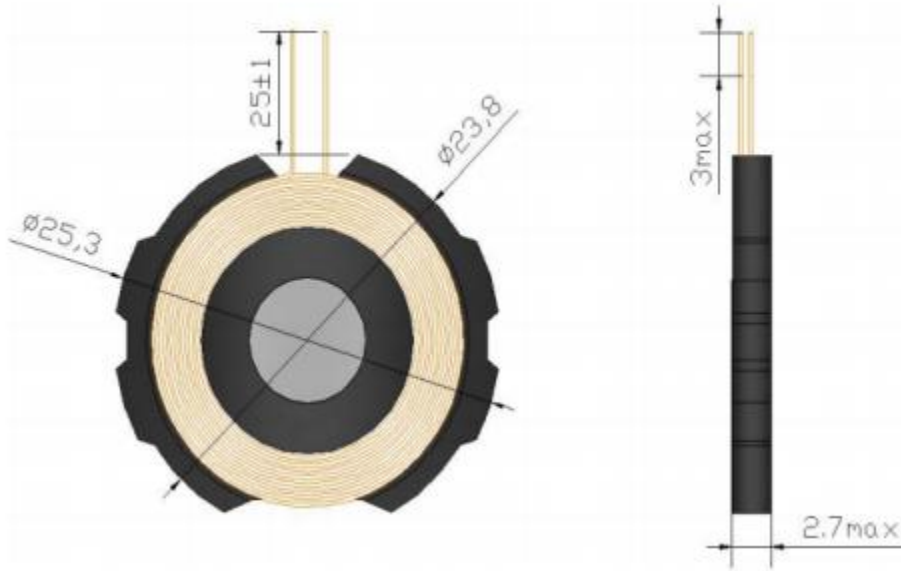
5.2 inductance: $L=8.1\mu H \pm 10\%$ at 100kHz, 1v; (Based on the number of turns) .

5.3 DCR: 70m Ω max

5.4 Max Current: 2.0A

5.5 Q value: 27 (min)

6. Construction



NO	Material Name
1	Rubber backing
2	Ferrite sheet
3	coil
4	
5	glue
6	Fixed adhesive paper