

IMPORTANT:
Read Before Using

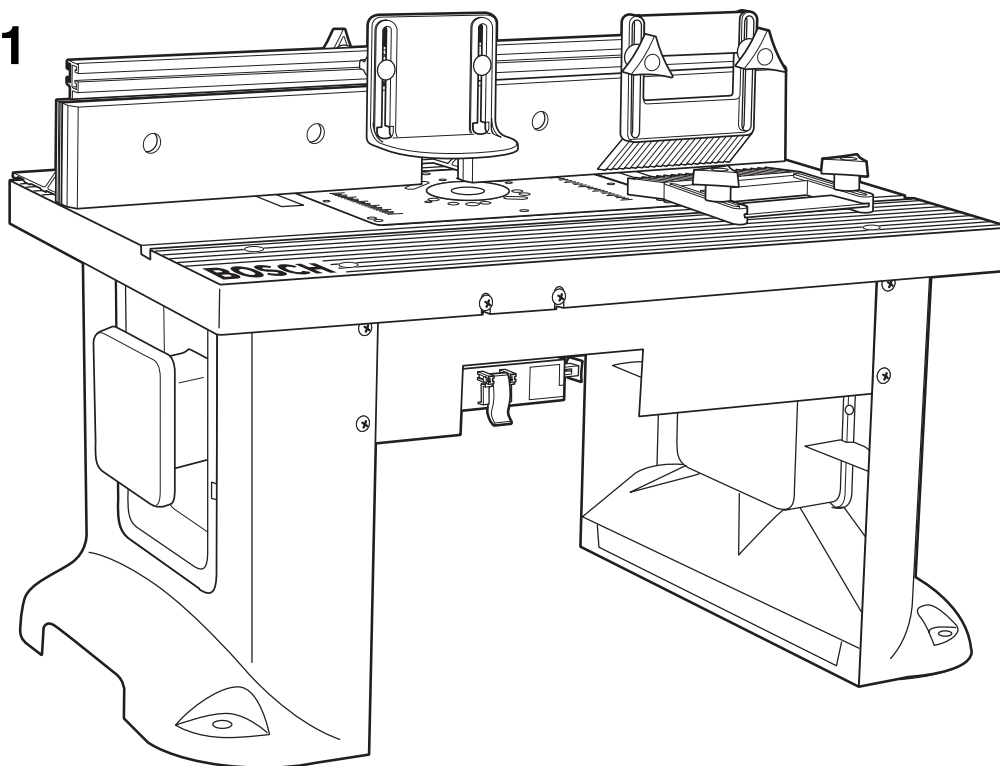
IMPORTANT :
Lire avant usage

IMPORTANTE:
Leer antes de usar



Operating/Safety Instructions
Consignes de fonctionnement/sécurité
Instrucciones de funcionamiento y seguridad

RA1181



BOSCH

Consumer Information
Renseignement des consommateurs
Información para el consumidor

Toll Free Number: **Appel gratuit :** **Número de teléfono gratuito:**
1-877-BOSCH99 (1-877-267-2499) <http://www.boschtools.com>

For English
See page 2

Parlez-vous français?
Voir page 32

¿Habla español?
Ver página 64

Table of Contents

IMPORTANT SAFETY INFORMATION . . .	2–5	Router Table Assembly	10–20
Parts List	6–9	Router Table Operation	21–31

Power Tool Safety Rules



Read and understand the tool manual and these instructions for the use of this table with your router. Failure to follow all instructions listed below may result in serious personal injury.

SAVE THESE INSTRUCTIONS

Work Area


Keep your work area clean and well lit. Cluttered benches and dark areas invite accidents.

Do not operate power tools in explosive atmospheres, such as in the presence of flammable liquids, gases, or dust. Power tools create sparks which may ignite the dust or fumes.

Keep bystanders, children, and visitors away while operating a power tool. Distractions can cause you to lose control.

Electrical Safety

Grounded tools must be plugged into an outlet properly installed and grounded in accordance with all codes and ordinances. Never remove the grounding prong or modify the plug in any way. Do not use any adaptor plugs. Check with a qualified electrician if you are in doubt as to whether the outlet is properly grounded. If the tools should electrically malfunction or break down, grounding provides a low resistance path to carry electricity away from the user. Improper grounding can shock, burn, or electrocute. Grounded tools are equipped with three-conductor cord and three-prong type plugs. *Before plugging in the tool, be certain the outlet voltage supplied is within the voltage marked on the nameplate. Do not use "AC only" rated tools with a DC power supply.*

Double-insulated tools are equipped with a polarized plug (one blade is wider than the other.) This plug will fit in a polarized outlet only one way. If the plug does not fit fully in the outlet, reverse the plug. If it still does not fit, contact a qualified electrician to install a polarized outlet. Do not change the plug in any way. Double Insulation  eliminates the need for the three-wire grounded power cord and grounded power supply system. *Before plugging in the tool, be certain the outlet voltage supplied is within the voltage marked on the nameplate. Do not use "AC only" rated tools with a DC power supply.*

Avoid body contact with grounded surfaces such as pipes, radiators, ranges and refrigerators. There is an increased risk of electric shock if your body is grounded. If operating the power tool in damp locations is unavoidable, a Ground Fault Circuit Interrupter must be used to supply the power to your tool. Electrician's rubber gloves and footwear will further enhance your personal safety.

Don't expose power tools to rain or wet conditions. Water entering a power tool will increase the risk of electric shock.

Do not abuse the cord. Never use the cord to carry the tools or pull the plug from an outlet. Keep cord away from heat, oil, sharp edges, or moving parts. Replace damaged cords immediately. Damaged cords increase the risk of electric shock.

When operating a power tool outside, use an outdoor extension cord marked "W-A" or "W." These cords are rated for outdoor use and reduce the risk of electric shock. Refer to "Important Information About Extension Cords" in your router table manual.

Personal Safety

Stay alert, watch what you are doing and use common sense when operating a power tool. Do not use tool while tired or under the influence of drugs, alcohol, or medication. A moment of inattention while operating power tools may result in serious personal injury.

Keep guards in place. Maintain the guards in working order and in proper adjustment and alignment.

Avoid accidental starting. Be sure switch is "OFF" before plugging in. Carrying tools with your finger on the switch or plugging in tools that have the switch "ON" invites accidents.

Remove adjusting keys or wrenches before turning the tool "ON." A wrench or a key that is left attached to a rotating part of the tool may result in personal injury.

Do not overreach. Keep proper footing and balance at all times. Proper footing and balance enable better control of the tool in unexpected situations.

Use safety goggles (head protection). Wear safety goggles (must comply with ANSI Standard Z87.1) at all times. Wear non-slip footwear and a hard hat, if appropriate. Also, use face or dust mask if cutting operation is dusty and ear protectors (plugs or muffs) during extended periods of operation.

Tool Use and Care

Use clamps or other practical way to secure and support the workpiece to a stable platform. Holding the work by hand or against your body is unstable and may lead to loss of control.

Do not force tool. Use the correct tool for your application. The correct tool will do the job better and safer at the rate for which it is designed.

Do not use tool if switch does not turn it “ON” or “OFF.” Any tool that cannot be controlled with the switch is dangerous and must be repaired.

Disconnect the plug from the power source before making any adjustments, changing accessories, or storing the tool. Such preventive safety measures reduce the risk of starting the tool accidentally.

Keep guards in place. Maintain the guards in working order and in proper adjustment and alignment.

Store idle tools out of reach of children and other untrained persons. Tools are dangerous in the hands of untrained users.

Never leave tools running unattended. Turn the power OFF. DO NOT leave tool until it comes to a complete stop.

Maintain tools with care. Keep cutting tools sharp and clean. Properly maintained tools, with sharp cutting edges are less likely to bind and are easier to control. Any alteration or modification is a misuse and may result in a dangerous condition.

Check for damaged guards or parts, misalignment or binding of moving parts, breakage of parts, and any other condition that may affect the tool’s operation. If damaged, have the tool properly repaired or replaced before using. Many accidents are caused by poorly maintained tools. Develop a periodic maintenance schedule for your tool.

Use only accessories that are recommended by the manufacturer for your model. Accessories that may be suitable for one tool may become hazardous when used on another tool.

Service

Tool service must be performed only by qualified repair personnel. Service or maintenance performed by unqualified personnel could result in a risk of injury. For example: internal wires may be misplaced or pinched; safety guard return springs may be improperly mounted.

When servicing a tool, use only identical replacement parts. Use of unauthorized parts or failure to follow maintenance instructions may create a risk of electric shock or injury. Certain cleaning agents such as gasoline, carbon tetrachloride, and ammonia may damage plastic parts.

Additional Safety Warnings for Router Tables

Read and understand table and router manual and accessory warnings. Failure to follow all instructions and warnings may result in serious personal injury.

Fully assemble and tighten all fasteners required for this table and for mounting the router to the plate. Do not use the router table until all assembly and installation steps have been completed. Check the table and the router to make sure fasteners are still tight before each use. A loose table is unstable and may shift in use.

Make certain the router is not plugged into a power outlet when installing into the table, removing from table, making adjustments or changing accessories. Router could accidentally start.

Do not plug router motor power cord into standard wall outlet. It must be plugged into the router table switch. Power tool switches and controls need to be within your reach in emergency situations.

Before operating, make sure the entire unit (table with router installed) is placed on and secured to a solid, flat, level surface and will not tip. Use of auxiliary in-feed and out-feed supports is necessary for long or wide workpieces. Long workpieces without adequate support can flip off the table or cause the table to tip over.

Be certain router motor is fully and securely clamped in the router base. Periodically check the base fastener clamping tightness. Router motor can vibrate loose from the base during use and fall from table.

Do not use the router table without the overhead guard or auxiliary bit guard. Remove all dust, chips, and any other foreign particles that can affect its function.

Adjust the guard height so that it clears the router bit and the workpiece. The guard will aid in keeping hands from unintended contact with rotating bit.

Never place your fingers near a spinning bit or under the guard when router is plugged in. Never hold the workpiece on the out-feed side of bit. Pressing the workpiece against the out-feed side of the fence may cause material binding and possible kickback pulling hand back into bit.

Guide workpiece by the fence to maintain control of workpiece. Do not place material between router bit and fence while routing the edge. This placement will cause the material to become wedged, making kickback possible.

Routers are intended for working with wood, woodlike products and plastic or laminates, not for cutting or shaping metals. Be sure workpiece does not contain nails, etc. Cutting nails may cause loss of control.

Do not use bits that have a cutting diameter that exceeds the clearance hole in the table top insert. Bit could contact insert ring, throwing fragments.

Install bit in accordance with instructions in router manual and securely clamp the router bit in the collet chuck before making any cuts to avoid bit becoming loose during operation.

Never use dull or damaged bits. Sharp bits must be handled with care. Damaged bits can snap during use. Dull bits require more force to push the workpiece, possibly causing the bit to break or the material to kick back.

The router table is designed to cut flat, straight and squared materials. Do not cut material that is warped, wobbly, or otherwise unstable. If the material is slightly curved but otherwise stable, cut the material with the concave side against the table or fence. Cutting the material with the concave side up or away from table may cause the warped or wobbly material to roll and kick back causing user to lose control.

Never start the tool when the bit is engaged in the material. The bit cutting edge may grab the material, causing loss of control of the workpiece.

Feed the workpiece against the rotation of the bit. The bit rotates counterclockwise as viewed from the top of table. Feeding the work in the wrong direction will cause the workpiece to “climb” up on the bit, pulling the workpiece and possibly your hands into the rotating bit.

Use push sticks, vertical and horizontally mounted featherboards (spring sticks), and other jigs to hold down the workpiece. Push sticks, featherboards, and jigs eliminate the need to hold the workpiece near the spinning bit.

Additional Safety Warnings for Router Tables

Piloted bits along with the starter pin are used when routing internal and external contours on the workpiece. Use the auxiliary bit guard when shaping material with the starter pin and piloted bits. The starter pin and bearing of the piloted bit assist in maintaining control of the workpiece.

Do not use the table as a workbench or work surface. Using it for purposes other than routing may cause damage and make it unsafe to use in routing.

Never stand on the table or use as a ladder or scaffolding. Table could tip or the cutting tool could be accidentally contacted.

Use only Bosch replacement parts. Any others may create a hazard.

Improper Fence Location and Workpiece Feed

⚠ WARNING The fence and/or workpiece are improperly located anytime it would result in:

- The front of the bit being exposed during the actual cutting (Fig. A).
- “Climb-cutting” – The bit must not enter the workpiece in the same direction as the feed direction, which is likely to cause the workpiece to “climb” and may lead to loss of control during operation (Fig. B).

“Fence Traps”: One type of improper fence location warrants special attention. “Fence traps” happen when the fence is positioned so far back that the front side (power switch side) of the workpiece would be behind the router bit.

⚠ WARNING Fence traps are dangerous for two reasons:

- Exposure of the bit on the front side (power switch side) of the workpiece.
 - Likelihood of climb-cut, which can cause loss of control.
- Fig. A shows a fence trap.

Do not feed the workpiece from left to right: (Fig. B)

- It would cause climb-cutting.
- It would be difficult to keep the workpiece against the fence faces because the bit rotation would push the workpiece away from the fence.

FIG. A

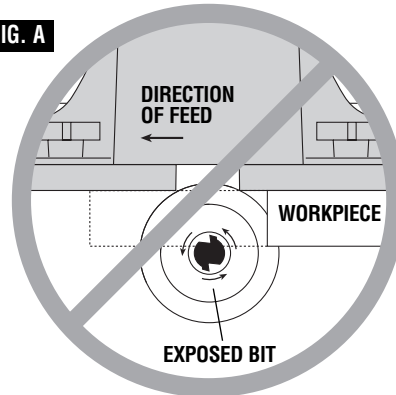
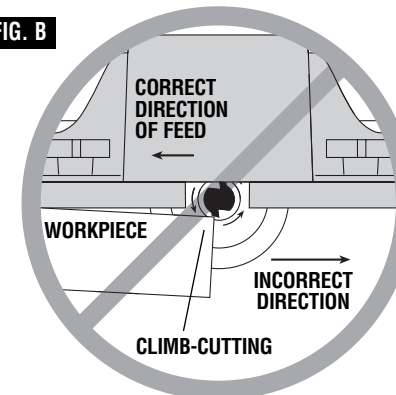


FIG. B



Important Information About Extension Cords

⚠ WARNING If an extension cord is necessary, a cord with adequate size conductors that is capable of carrying the current necessary for your tool must be used. This will prevent excessive voltage drop, loss of power, or overheating. Grounded tools must use 3-wire extension cords that have 3-prong plugs and receptacles.



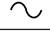
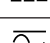





NOTE: The smaller the gauge number, the heavier the cord.

RECOMMENDED SIZES OF EXTENSION CORDS 120 VOLT ALTERNATING CURRENT TOOLS

Tool's Ampere Rating	Cord Size in A.W.G.				Wire Sizes in mm ²			
	Cord Length in Feet				Cord Length in Meters			
	25	50	100	150	15	30	60	120
3-6	18	16	16	14	.75	.75	1.5	2.5
6-8	18	16	14	12	.75	1.0	2.5	4.0
8-10	18	16	14	12	.75	1.0	2.5	4.0
10-12	16	16	14	12	1.0	2.5	4.0	—
12-16	14	12	—	—	—	—	—	—

Symbols

IMPORTANT: Some of the following symbols may be used on your tool. Please study them and learn their meaning. Proper interpretation of these symbols will allow you to operate the tool better and safer.

Symbol	Name	Designation/Explanation
V	Volts	Voltage (potential)
A	Amperes	Current
Hz	Hertz	Frequency (cycles per second)
W	Watt	Power
kg	Kilograms	Weight
min	Minutes	Time
s	Seconds	Time
∅	Diameter	Size of drill bits, grinding wheels, etc.
n ₀	No load speed	Rotational speed, at no load
.../min	Revolutions or reciprocation per minute	Revolutions, strokes, surface speed, orbits etc. per minute
0	Off position	Zero speed, zero torque...
1, 2, 3, ... I, II, III,	Selector settings	Speed, torque, or position settings Higher number means greater speed
0 	Infinitely variable selector with off	Speed is increasing from 0 setting
	Arrow	Action in the direction of arrow
	Alternating current	Type or a characteristic of current
	Direct current	Type or a characteristic of current
	Alternating or direct current	Type or a characteristic of current
	Class II construction	Designates double-insulated construction tools
	Earthing terminal	Grounding terminal
	Warning symbol	Alerts user to warning messages
	Ni-Cad RBRC seal	Designates Ni-Cad battery recycling program



This symbol designates that this tool is listed by Underwriters Laboratories.



This symbol designates that this tool is listed to Canadian Standards by Underwriters Laboratories.



This symbol designates that this tool complies to NOM Mexican Standards.



This symbol designates that this tool is listed by the Canadian Standards Association.



This symbol designates that this tool is listed by Underwriters Laboratories and listed to Canadian Standards by Underwriters Laboratories.



This symbol designates that components of this tool are listed by Underwriters Laboratories and listed to Canadian Standards by Underwriters Laboratories.

Parts List

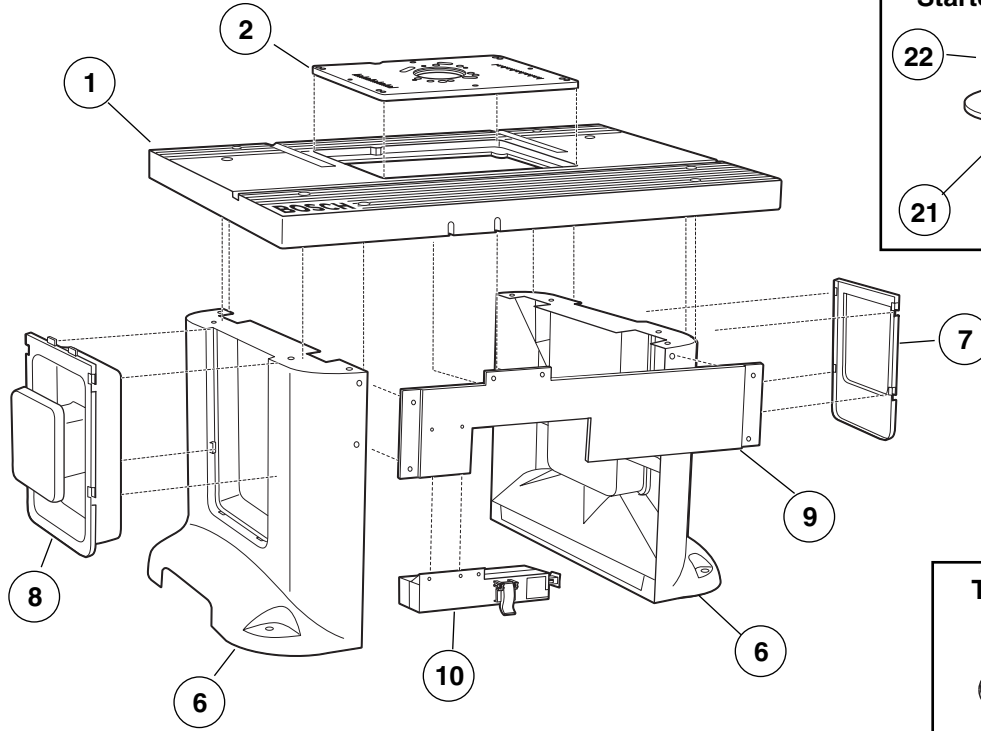
Refer to Parts List below and on pages 7–9.

- **⚠ WARNING** If **ANY** of the parts are missing, DO NOT attempt to assemble, install, or use your router table until the missing parts have been found or replaced and your router table has been properly and correctly assembled per this manual.
- **For missing parts or technical assistance, call 1-877-BOSCH99 (877-267-2499).**
- In order to simplify handling and to minimize any damage that may occur during shipping, your router table comes unassembled.
- Separate all parts from the packaging materials and check each part against the illustrations and the parts lists on pages 6–9, to make sure that all parts have been included. Do this before discarding any of the packaging material.

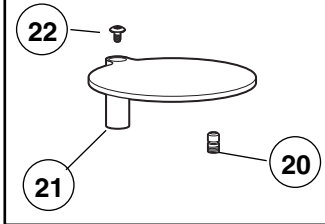
Key No.	Description	Quantity
ROUTER TABLE ASSEMBLY		
1	Router Tabletop	1
2	Router Mounting Plate	1
3	Tabletop Insert w/ 1" Dia. Hole	1
4	Tabletop Insert w/ 2" Dia. Hole	1
5	Tabletop Insert w/ 2¾" Dia. Hole	1
6	Table Leg	2
7	Leg Storage Panel	1
8	Leg Cord Wrap Assembly	1
9	Front Fascia Panel	1
10	Switch Assembly With Lockout Key	1
Fence Assembly		
11	Aluminum Fence	1
12	Fence Facing	2
13	Vacuum Port	1
14	Large Clamping Knob (in hardware bag)	6
15	Overhead Guard	1
16	Spacer (in hardware bag)	6
17	Small Clamping Knob (in hardware bag)	6
18	1/16" Jointing Shim	2
19	Featherboard	2
Starter Pin Assembly		
20	Starter Pin	1
21	Starter Pin Guard	1
22	#10-32 x 3/8" Truss-Head Screw	1
Items Not Illustrated		
23	Operating/Safety Instructions	1

Parts List

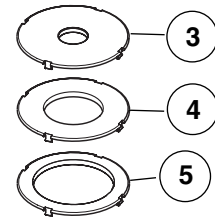
Router Table Assembly



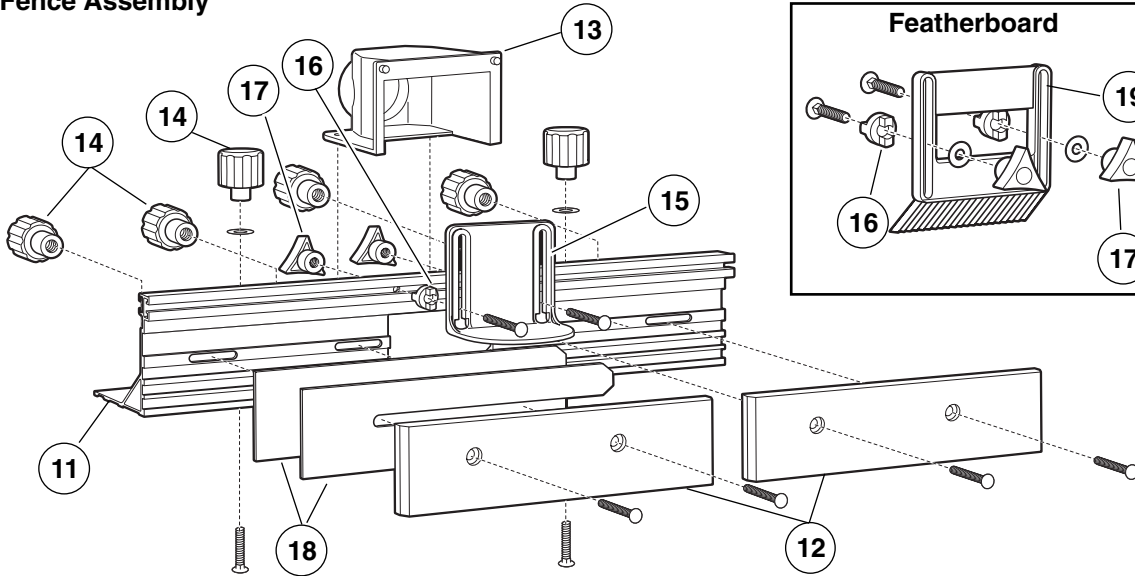
Starter Pin Assembly



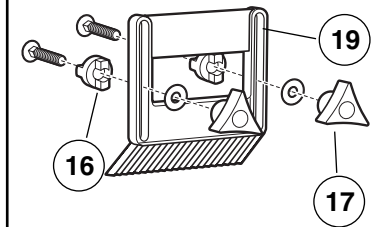
Tabletop Inserts



Fence Assembly



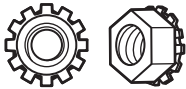
Featherboard



Parts List

Key No.	Description	Quantity
FASTENERS (FOR TABLE ASSEMBLY)		
24	#10-32 KEPS Nut	8
25	#10-32 ESNA Stop Nut	13
26	1/4-20 KEPS Nut	9
27	9/32" ID x 5/8" OD x 1/16" Thick Washer	8
28	#10-32 x 1" Pan-Head Phillips Machine Screw	4
29	#10-32 x 3/4" Countersunk Socket-Head Screw	9
30	#10-32 x 3/4" Truss-Head Phillips Machine Screw	8
31	1/4-20 x 1 1/2" Carriage Bolt	8
32	1/8" Hex Key (Allen Wrench)	1
FASTENERS (FOR FENCE ASSEMBLY)		
24	#10-32 KEPS Nut	2
27	9/32" ID x 5/8" OD x 1/16" Thick Washer	2
33	#10-32 x 5/8" Countersunk Phillips Machine Screw	2
31	1/4-20 x 1 1/2" Carriage Bolt	6
34	1/4-20 x 1" Carriage Bolt	6
FASTENERS (FOR MOUNTING ROUTERS)		
26	1/4-20 KEPS Nut	4
27	9/32" ID x 5/8" OD x 1/16" Thick Washer	4
35	#10-32 x 3/4" Pan-Head Phillips Machine Screw	3
36	1/4-20 x 1 1/2" Pan-Head Phillips Machine Screw	4
37	#10-24 x 3/4" Pan-Head Phillips Machine Screw	3
38	#8-32 x 3/4" Pan-Head Phillips Machine Screw	3
39	5/16-18 x 3/4" Pan-Head Phillips Machine Screw	3

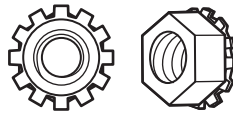
NOTE: The hardware bag contains fasteners for several models. Some fasteners may not be used in the assembly of this model. Refer to the parts list above for the correct sizes and quantities used with this table.



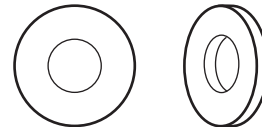
(24) #10-32
KEPS Nut



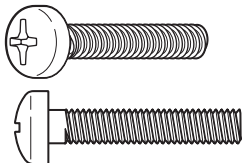
(25) #10-32 ESNA
Stop Nut



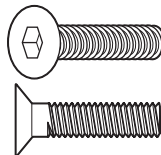
(26) 1/4-20
KEPS Nut



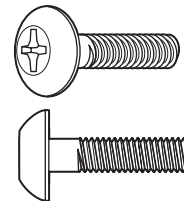
(27) 9/32" ID x 5/8" OD x 1/16"
Thick Washer



(28) #10-32 x 1" Pan-Head
Phillips Machine Screw

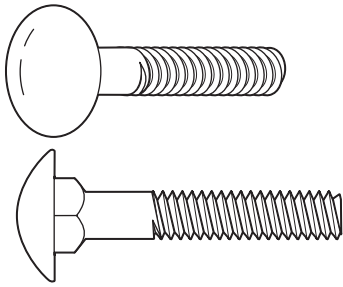


(29) #10-32 x 3/4" Countersunk
Socket-Head Screw

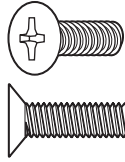


(30) #10-32 x 3/4" Truss-Head
Phillips Machine Screw

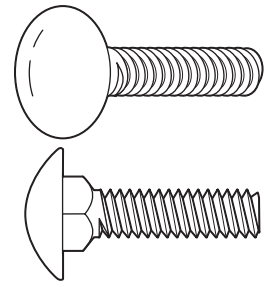
Parts List



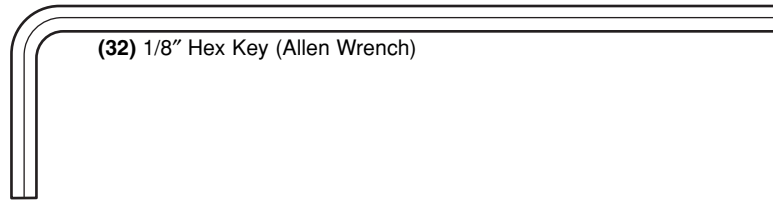
(31) 1/4-20 x 1 1/2" Carriage Bolt



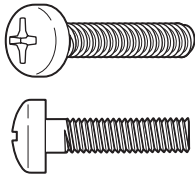
(33) #10-32 x 5/8"
Countersunk Phillips
Machine Screw



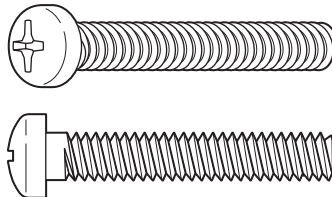
(34) 1/4-20 x 1"
Carriage Bolt



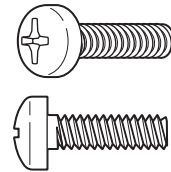
(32) 1/8" Hex Key (Allen Wrench)



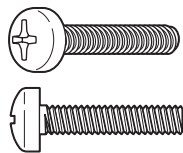
(35) #10-32 x 3/4" Pan-Head
Phillips Machine Screw



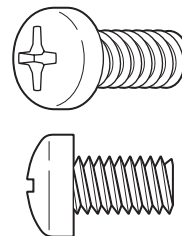
(36) 1/4-20 x 1 1/2" Pan-Head
Phillips Machine Screw



(37) #10-24 x 3/4" Pan-Head
Phillips Machine Screw



(38) #8-32 x 3/4" Pan-Head
Phillips Machine Screw



(39) 5/16-18 x 3/4" Pan-Head
Phillips Machine Screw

Router Table Assembly

ASSEMBLING THE ROUTER TABLE

TABLE LEG INSERTS (FIG. 1)

The router table includes two table leg inserts:

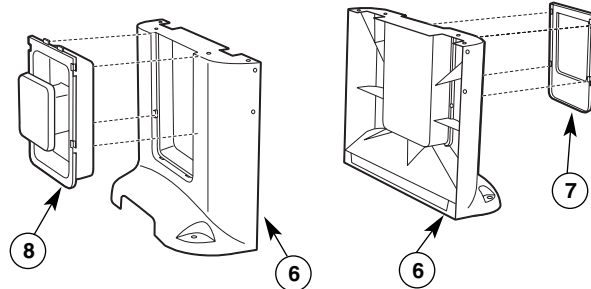
- Leg storage panel (7) for convenient storage of accessories
- Leg cord wrap panel (8)

The table leg inserts must be installed before attaching the tabletop.

1. Place the table leg insert (7 or 8) into the opening in the table leg (6) so that it is positioned at the very top of the opening.
2. Press the insert in so that it is completely flush with the leg.
3. Push the insert down as far as it will go to lock it in place.

NOTE: The cord wrap panel has two tabs at the top of the panel that lock under the table top. These tabs help prevent the panel from coming unhooked when wrapping or unwrapping the cord.

FIG. 1



TOOLS REQUIRED (not included)

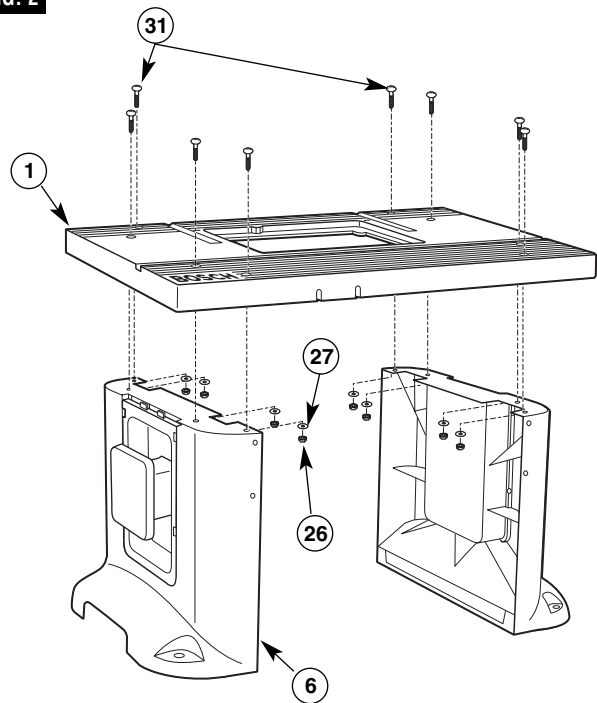
- Phillips screwdriver
- Small sized adjustable wrench
- Tape with adhesive backing (optional)

ROUTER TABLE LEGS (FIG. 2)

1. Insert eight 1/4-20 x 1 1/2" long carriage bolts (31) through the router tabletop (1) as shown in Fig. 2.
2. Assemble the legs (6) to the router table as shown in the figure.
3. Assemble a 9/32" ID x 5/8 OD" x 1/16" thick washer (27) and a 1/4-20 KEPS nut (26) onto each of the bolts.
4. Securely tighten the fasteners.

NOTE: It may be easier to assemble the legs by laying the router table on its front or back, or by using adhesive tape over the carriage bolt heads to hold them in place and turning the router table upside down.

FIG. 2

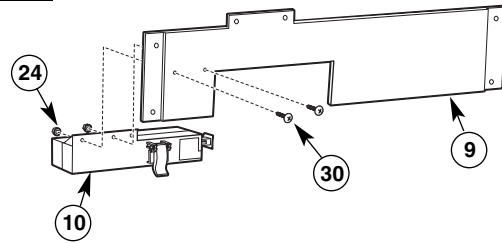


Router Table Assembly

ATTACH THE SWITCH TO THE FASCIA (FIG. 3)

1. Align the two outermost holes on the top of the switch assembly (10) with the holes in the front fascia panel (9), as shown in Fig. 3.
2. Insert two #10-32 KEPS nuts (24) into the hex-shaped recesses in the back of the switch assembly (10), toothed side out, and secure the switch to the fascia panel with two #10-32 x 3/4" truss-head machine screws (30) while holding the KEPS nuts in place in the recess with your finger.

FIG. 3

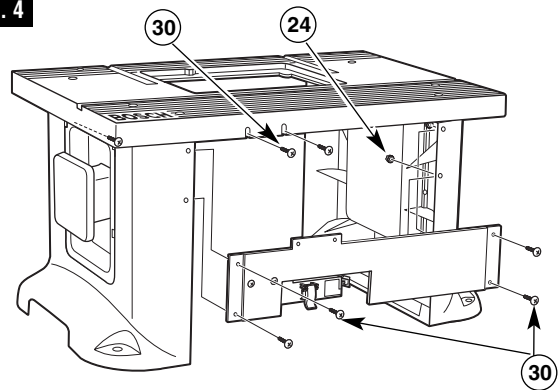


ATTACH THE SWITCH/FASCIA ASSEMBLY TO THE ROUTER TABLE (FIG. 4)

NOTE: The fascia assembles to the inside of both the table legs and the router tabletop.

1. Line up the holes on the fascia panel with the holes in the table legs and the two slots on the front of the router tabletop.
2. Attach the fascia panel to the router table top using two #10-32 x 3/4" truss-head machine screws (30) and two #10-32 KEPS nuts (24), as shown in Fig. 4.
3. Attach the fascia to the legs using four #10-32 x 3/4" truss-head machine screws (30) and four #10-32 KEPS nuts (24), as shown in Fig. 4.
4. TIGHTEN all screws SECURELY.

FIG. 4



Router Table Assembly

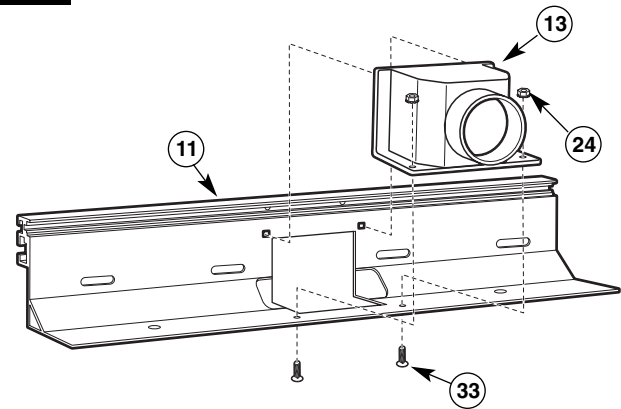
ASSEMBLING THE FENCE

ASSEMBLING THE FENCE (Figs. 5 and 6)

1. Insert the pins molded into the top of the vacuum port (13) into the holes on the rear of the aluminum fence (11), as shown in Fig. 5.
2. From the underside of the fence, insert two #10-32 x 5/8" countersunk machine screws (33) up through the holes in the bottom of the fence and vacuum port. Secure in place with two #10-32 KEPS nuts (24) (Fig. 5).
3. Place the fence right-side-up on a flat surface and align the counterbored holes in the fence facings (12) with the slotted holes in the fence. The counterbored side of the facings should face OUT (Fig. 6).
4. Attach both fence facings (12) to the front of the fence, using two 1/4-20 x 1" carriage bolts (34) and two large clamping knobs (14) for each fence facing (Fig. 6).
5. From the front of the overhead guard (15), insert two 1/4-20 x 1 1/2" carriage bolts (31) through the holes in the guard. Slide a spacer (16) on each bolt so that the tabs on the spacers fit into the slots on the guard.
6. From the front of the fence, insert the carriage bolts through the holes in the top center of the fence. The tabs on the spacers will fit into the top channel on the fence. Secure in place with a small clamping knob (17) on each bolt (Fig. 6).

NOTE: To simplify installation of the router adapter plate and router, do not install the fence onto the router table at this time.

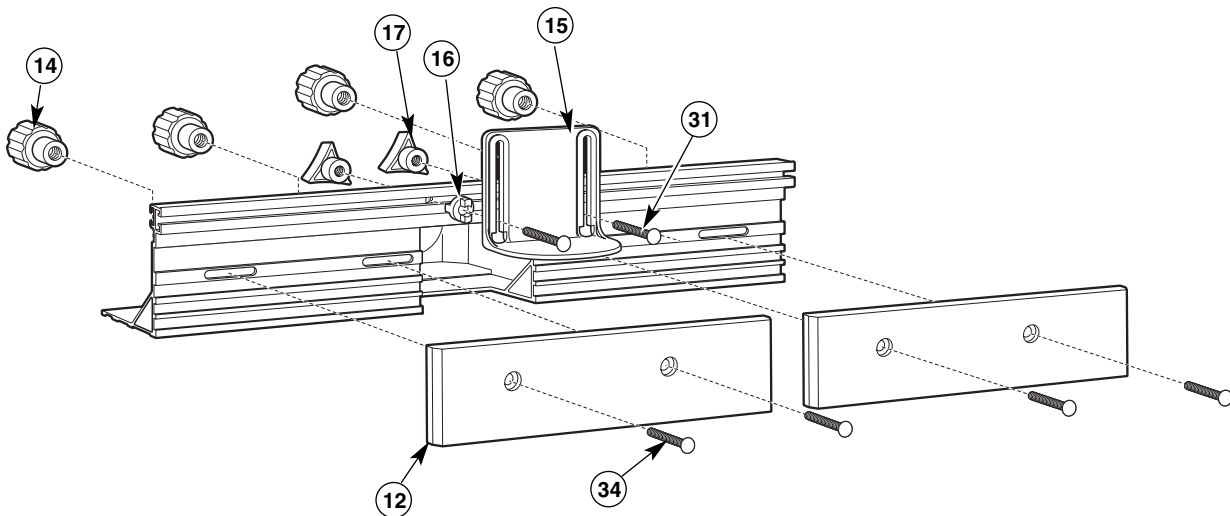
FIG. 5



NOTE: Two plastic jointing shims (18) are included to provide the proper fence offset when jointing. For more about jointing operations and shim placement, see page 27.



FIG. 6



Router Table Assembly

INSTALLING THE ROUTER MOUNTING PLATE

TOOLS REQUIRED

- 1/8" Allen wrench (32) (included)
- Phillips screwdriver (not included)
- Straight edge (not included)
- Small-sized adjustable wrench (not included)

NOTE: The fences must **NOT** be installed on the router table for the following procedures.

PRELIMINARY INSTALLATION OF THE ROUTER MOUNTING PLATE (Figs. 7A –7C)

1. Completely thread a #10-32 ESNA stop nut (25) onto each of the eight #10-32 x 3/4" countersunk socket-head screws (29) as shown in Fig. 7A. The orientation of the stop nut on the screw must be as shown in Fig. 7A.
NOTE: It will be helpful to use the included Allen wrench and an adjustable wrench because the nut has tight-fitting threads.
2. Place the eight assembled screws and nuts into the eight hex-shaped pockets in the recess on the tabletop as shown in Fig. 7B.
The screw threads are to be inserted into the holes at the bottom of the pockets.
3. Place the router mounting plate into the opening in the tabletop so that it rests on the heads of the screws as shown in Fig. 7B.
4. Position a straight edge or level across the mounting plate as shown in Fig. 7C. The straight edge must be long enough to extend completely over the opening in the router tabletop.
5. Insert the Allen wrench (32) through the eight round holes in the mounting plate, engaging the hex socket in the screw heads (Fig. 7C).
6. Raise and lower the mounting plate by turning the screws until the mounting plate is level and flush with the top of the router table.
7. Remove the mounting plate from the tabletop.

NOTE: It may be necessary to make slight adjustments after final installation of the router adapter plate.

FIG. 7A

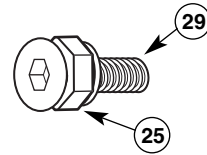


FIG. 7B

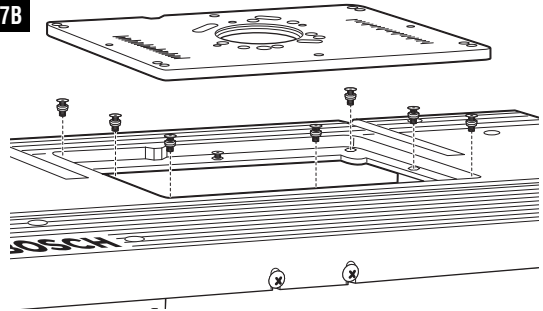
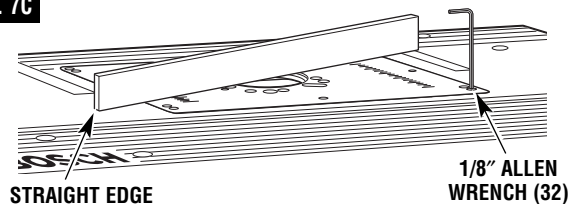


FIG. 7C



Router Table Assembly

⚠ WARNING BEFORE USING THE ROUTER TABLE, REFER TO THE ROUTER OWNER'S MANUAL FOR OPERATION INFORMATION.

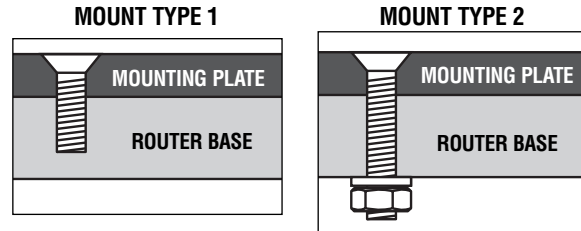
SELECTING THE ROUTER HOLE PATTERN

DETERMINE THE MOUNTING METHOD TO BE USED (see chart on page 15)

If your router model is listed in the chart on page 15, proceed to step 1 below. If it is NOT listed, you must purchase a BOSCH RA1186 Router Adapter Plate, available separately.

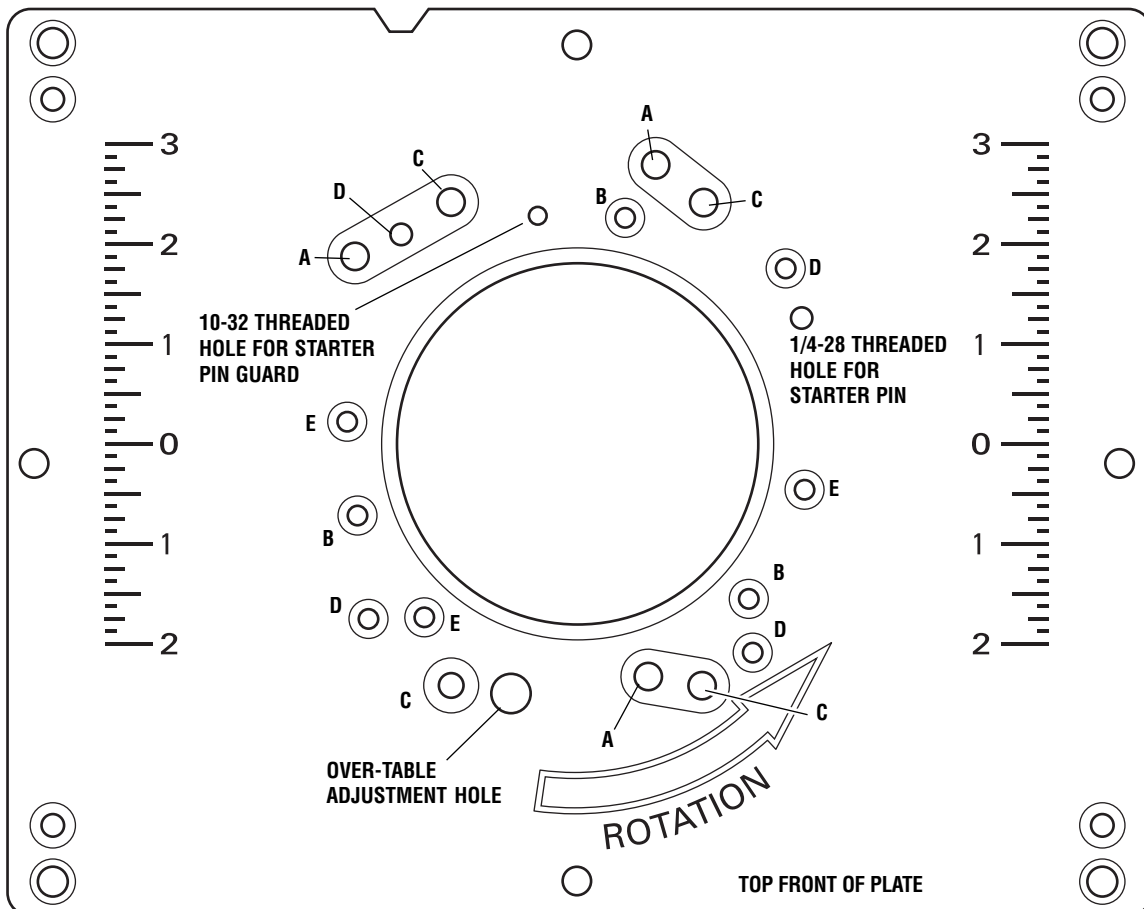
If your router model IS listed:

1. Determine the hole pattern that matches the mounting hole pattern for your router.
2. Determine which fasteners you will need to attach the router to the router adapter plate.
3. Determine which mount type (1 or 2) is used for your router model.



MOUNTING PLATE GUIDE FOR COMPATIBLE ROUTERS (Fig. 8)

FIG. 8



Router Table Assembly

CHART 1

Router Brand	Router Model	Hole Pattern	Fasteners Required	Mount Type
Bosch	1613 series	A	1/4-20 x 1½" Pan-head Phillips machine screws (36), washers (27), and 1/4-20 nuts (26)	2
Bosch	1617 series (fixed base models only)	B	#10-24 x 3/4" Pan-head Phillips machine screws (37)	1
Bosch	1619EVS	C	1/4-20 x 1½" Pan-head Phillips machine screws (36), washers (27), and 1/4-20 nuts (26)	2
Craftsman	Most Craftsman 1/2" collet routers	E	5/16-18 x 3/4" Pan-head Phillips machine screws (39)	1
DeWalt	DW616, DW618 (fixed base only)	B	#8-32 x 3/4" Pan-head Phillips machine screws (38)	1
Hitachi	M12VC	B	#10-32 x 3/4" Pan-head Phillips machine screws (35)	1
Makita	RF1100, RF1101	B	#10-24 x 3/4" Pan-head Phillips machine screws (37)	1
Milwaukee	5615, 5616	B	#10-24 x 3/4" Pan-head Phillips machine screws (37)	1
Porter Cable	690 series, 7529 plunge router, and 892-895 series (fixed base only)	B	#10-24 x 3/4" Pan-head Phillips machine screws (37)	1
Ryobi	R161, R162	E	5/16-18 x 3/4" Pan-head Phillips machine screws (39)	1

ATTACH ROUTER TO MOUNTING PLATE (Figs. 9 and 10)

1. Remove the plastic subbase from your router (Fig. 9).
2. If your router has its own dust extraction hood that mounts to the top of the metal router base and you want to use it under the router table, this is a convenient time to install it.
3. Using Chart 1, determine the hardware and mount type for your router.
 - For most router models, the screws are driven into threaded holes in the router's base (mount type 1).
 - For some router models, the screws go all the way through the base and are fastened with washers and nuts (mount type 2).

The top and front of the mounting plate is determined by the location of the guide pin holes. These holes are to the right of the bit opening.

4. Refer to the mounting plate guide (Fig. 8) on page 14 and align the appropriate mounting plate holes for your router to the router base holes. Make sure that the depth adjustment controls on the router face the front of the mounting plate.
5. Mount your router to the mounting plate (Fig. 10).

FIG. 9

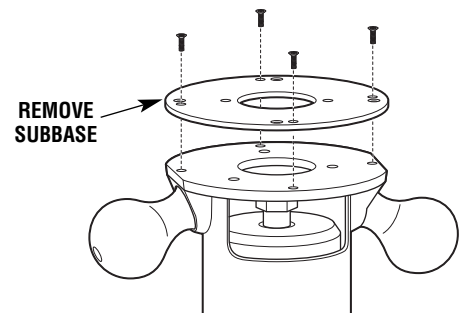
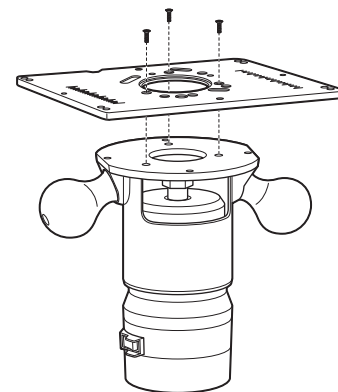


FIG. 10

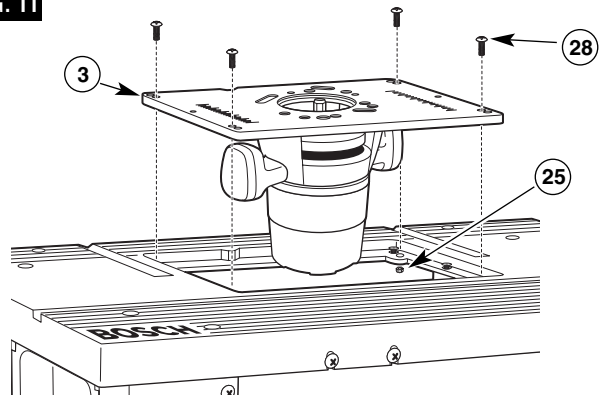


Router Table Assembly

FINAL INSTALLATION OF THE ROUTER MOUNTING PLATE (Fig. 11)

1. Place the router mounting plate, with router attached, on the leveling screws in the tabletop.
NOTE: Be careful not to trap the cord between the router mounting plate and the router tabletop.
2. Recheck the router mounting plate to be sure it is level. If necessary, loosen the locking nuts and adjust the leveling screws with the allen wrench as needed. Once the router mounting plate is level, retighten the locking screws.
3. Secure the router mounting plate (3) to the table with four #10-32 x 1" pan-head Phillips machine screws (28) and #10-32 ESNA stop nuts (25) (Fig. 11) through the inner corner holes in the plate. Tighten the screws snugly, but do not overtighten.

FIG. 11



TO REMOVE THE ROUTER AND/OR ROUTER MOUNTING PLATE

To remove the router from the mounting plate, you must first remove the router mounting plate from the router table.

THE FENCE MUST BE REMOVED FROM THE ROUTER TABLE WHEN REMOVING OR REINSTALLING THE ROUTER MOUNTING PLATE.



WARNING Make sure that the router is **NOT plugged into a power outlet when installing into the table, removing from table, making adjustments or changing accessories.** Router could accidentally start.

1. Loosen the four #10-32 x 1" pan-head Phillips machine screws (28) holding the router mounting plate to the tabletop.
2. Lift the router mounting plate and router upwards from the tabletop.
3. Remove the countersunk machine screws securing the router to the mounting plate.
4. When reinstalling the router mounting plate, be sure that the plate is level with the tabletop. If needed, readjust as described above.

OVER-TABLE HEIGHT ADJUSTMENT

The router adapter plate features an access hole to allow use with the over-table height adjustment feature on the Bosch 1617 series routers. Refer to your router manual for additional information on using this feature.

For the Porter Cable 892 and 895 and the Milwaukee 5615 and 5616 model routers, it is necessary to drill an access hole to accommodate the over-table height adjustment:

1. Remove the subbase from the router and align the mounting holes in the subbase with the corresponding mounting holes in the adapter plate. Be sure to orient the subbase so that the router switch will be toward the front of the table.

2. Using a pencil or centerpunch, mark the location of the over-table height adjustment hole on the router adapter plate.
3. Remove the subbase from the adapter plate and carefully drill the over-table height adjustment hole.
4. Make sure that the hole will accommodate the height adjustment tool for your router. Remove any burrs or rough edges with sandpaper.

Router Table Assembly

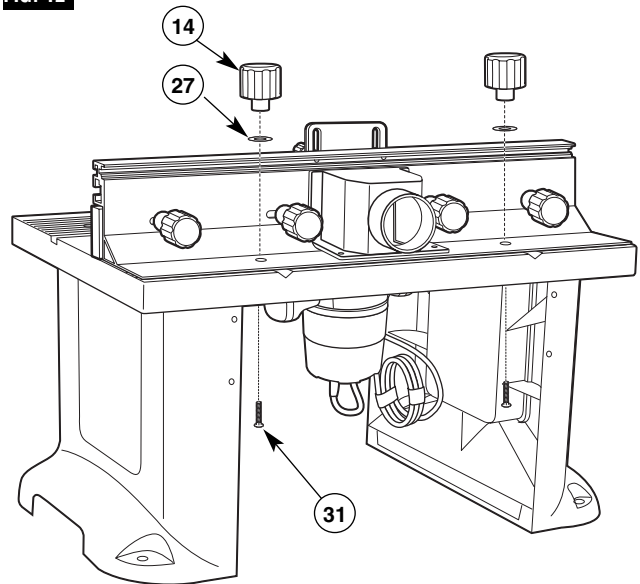
INSTALLING THE FENCE

ATTACHING THE FENCE TO THE TABLE (Fig. 12)

1. From underneath the table, slide two 1/4-20 x 1 1/2" carriage bolts (31) up through the slots in the tabletop and the holes in the bottom of the fence. Slide a washer (27) onto each bolt and loosely attach a large clamping knob (14) onto each bolt.
2. Make sure that the fence assembly slides smoothly from front to back.

NOTE: Use the scale on the tabletop as a guide when aligning the fence for routing operations. Once the fence is positioned and aligned correctly, tighten the clamping knobs **SECURELY**.

FIG. 12



Router Table Assembly

MOUNTING THE ROUTER TABLE TO A WORK SURFACE OR WORKBENCH



WARNING Before operating, make sure the entire unit (table with router installed) is placed on and secured to a solid, flat, level surface and will not tip. Use of auxiliary in-feed and out-feed supports is necessary for long or wide workpieces.

Long workpieces without adequate support can cause the router table to tip over.

TOOLS REQUIRED (not included)

- Phillips screwdriver
- Small-sized adjustable wrench
- Electric or hand drill with drill bits (depending on mounting method used)
- Fasteners (not included):
 - Four #14, #16, or #18 x 2" pan-head wood screws (for solid wood work surfaces or workbenches), or
 - Four 5/16" pan head machine screws, washers, and hex nuts, or
 - Clamps

You may also use the optional Bosch RA1190 Router Table Floor Stand, available separately through your Bosch retailer.

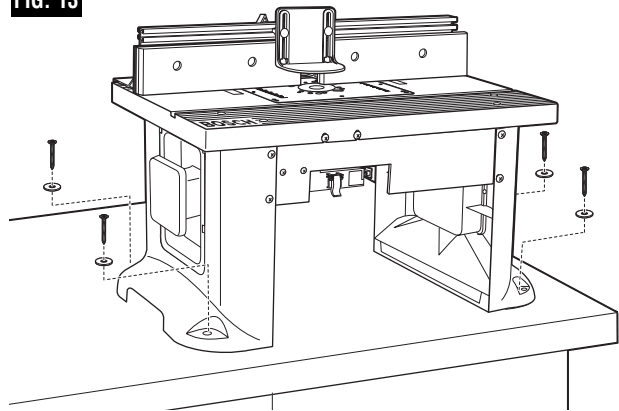
The RA1190 Router Table Floor Stand features:

- Places the router table at the optimum working height.
- Has adjustable nonslip foot pads for leveling the table on uneven floor surfaces.
- Has two heavy-duty steel shelves for storage.

METHOD 1 (Fig. 13)

1. Set the router table on a workbench or other stable and sturdy surface, with the FRONT (switch side) of the router table facing toward you.
2. While holding the router table in the desired position, mark the location of the four mounting holes (one in each corner).
3. Remove the router table from the workbench and set it aside.
4. Drill a 1/8" pilot hole (for wood screws) or an appropriately sized hole (for machine screws) at the marked locations.
5. Place the router table on the workbench and align the mounting holes in the router table legs with the holes drilled in the workbench.
6. Secure the router table in place using wood screws and washers (not provided) or machine screws, washers, and nuts (not provided). If using wood screws, applying a little bar soap or bees wax to the screw threads will make it easier to thread the screws into the pilot holes.
7. TIGHTEN all screws SECURELY.

FIG. 13

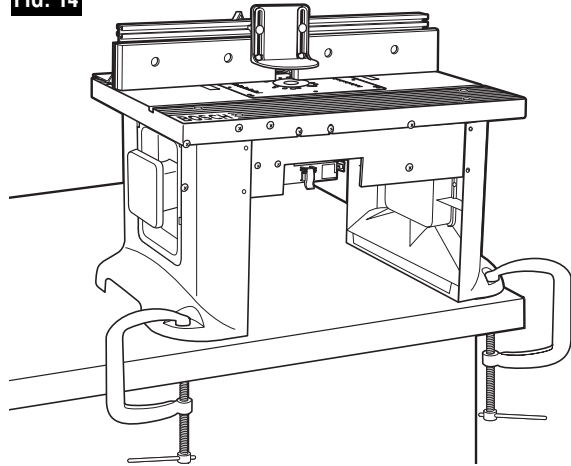


Router Table Assembly

METHOD 2 (Fig. 14)

1. Set the router table on a workbench or other stable and sturdy surface, with the FRONT (switch side) of the router table facing toward you.
2. Secure the router table legs to the workbench with clamps, making sure to tighten them **SECURELY**. **IMPORTANT:** Be sure the placement of the clamps will not interfere with operation of the router table.

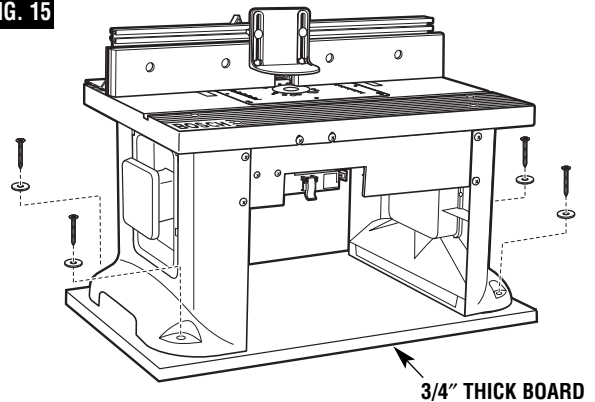
FIG. 14



ALTERNATE METHOD (Fig. 15)

1. Cut a board 18¼" wide by 29" long from a piece of ¾" thick plywood or other flat stock.
2. Set the router table on the board, with the FRONT (switch side) of the router table facing toward you, so that the spacing between the router table legs and the edges of the board is equal on all sides.
3. While holding the router table in the desired position, mark the location of the four mounting holes (one in each corner).
4. Remove the router table from the board and set it aside.
5. Drill a 1/8" pilot hole (for wood screws) at the marked locations.
6. Place the router table on the board and align the mounting holes in the router table legs with the holes drilled in the board.
7. Secure the router table in place using wood screws (not provided). Applying a little soap to the screw threads will make it easier to thread the screws into the pilot holes.
8. **TIGHTEN** all screws **SECURELY**.
9. Place the router table on a workbench or other stable and sturdy surface. Firmly secure the board to the workbench with screws and washers, clamps, or other suitable means.

FIG. 15



Router Table Assembly

⚠ WARNING ALWAYS MAKE SURE THAT THE ROUTER IS TURNED OFF AND THE POWER CORD IS UNPLUGGED BEFORE MAKING ANY ADJUSTMENTS.

TABLETOP INSERTS (Fig. 16)

This router table includes three tabletop inserts with the following hole sizes:

- 1" in diameter (3), for use with bits with diameters up to 7/8"
- 2" in diameter (4), for use with bits with diameters up to 1 1/8"
- 2 3/4" in diameter (5), for use with bits with diameters up to 2 5/8"

No insert is used for bits with diameters over 2 5/8" and up to 3 1/2".

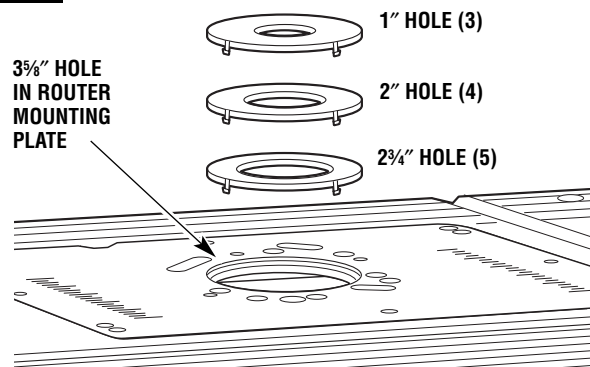
⚠ WARNING Do NOT use the router table with bits over 3 1/2" in diameter!

TO INSTALL TABLETOP INSERTS (Fig. 16):

1. Select the tabletop insert that best accommodates the router bit to be used.
2. Press the insert into the large hole in the router mounting plate (Fig. 16). If the fence is in the way, loosen the clamping knobs on the fence support brackets and slide the fence back out of the way.
3. Press down evenly over the tabs until the insert locks into place.
4. To remove, pull up gently until the tabs disengage. When not in use, store tabletop inserts behind the storage panel in the table leg or in another convenient place.

⚠ WARNING DO NOT attempt to remove tabletop inserts from the tabletop unless the router is unplugged.

FIG. 16



Router Table Operation

SWITCH INSTRUCTIONS

ELECTRICAL REQUIREMENTS

A 14 gauge (or heavier) three-wire extension cord with a three-hole grounding receptacle and three-hole grounding plug is to be used for connecting the switch to an electrical outlet.

DAMAGED OR WORN EXTENSION CORDS ARE NOT TO BE USED AND ARE TO BE REPLACED IMMEDIATELY.

The electrical cord at the back of the switch will accept three-hole extension cords.

The electrical receptacles at the back of the switch will accept either three-prong or two-prong plugs from a router or accessory.

In the event of a malfunction or breakdown, grounding provides the path of least resistance for electrical current in order to reduce the risk of electrical shock. This switch box is equipped with an electrical cord that has an equipment-grounding connector and a grounding plug.

The extension cord must be plugged into a matching outlet **that has been installed by a licensed electrician and grounded in accordance with all local codes and ordinances.**

DO NOT modify the plug from the switch if it does not plug into the extension cord. Obtain an extension cord with the proper outlet.

Improper connection of the equipment-grounding conductor can result in risk of an electrical shock.

The conductor with insulation that has a green outer surface, with or without yellow stripes, is the equipment-grounding conductor.

DO NOT CONNECT THE EQUIPMENT-GROUNDING CONDUCTOR TO A LIVE TERMINAL.

GENERAL INFORMATION

The power switch is designed for use with most BOSCH Router Tables. It provides the convenience of an ON (RESET)-OFF switch at the front of the table, thus eliminating the need to reach underneath the table to turn the router ON and OFF.

The power switch also provides an optional simultaneous ON-OFF control of an additional accessory, such as a light or wet/dry vac. The switch has an internal, resettable circuit breaker to provide overload protection.

Check with a licensed electrician if the grounding instructions are not completely understood, or if there is doubt as to whether the electrical outlet or extension cord is properly grounded.

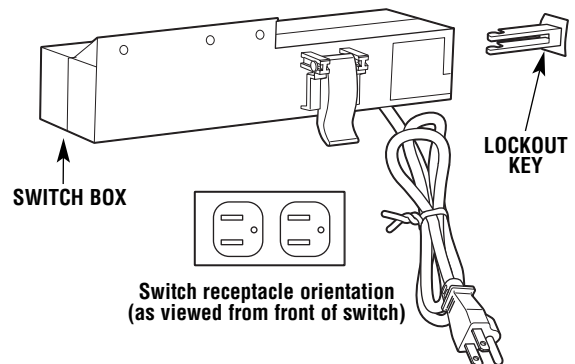
⚠ WARNING DO NOT PERMIT FINGERS TO TOUCH TERMINALS OF THE PLUG WHEN PLUGGING IT INTO OR REMOVING IT FROM THE OUTLET.

⚠ WARNING IF NOT PROPERLY GROUNDED, A POWER TOOL CAN PRESENT POTENTIAL HAZARDS OF ELECTRICAL SHOCK, WHICH CAN POSSIBLY RESULT IN SERIOUS BODILY INJURY OR DEATH, particularly when used in a damp location, in proximity to plumbing or out-of-doors. If an electrical shock occurs, there is always the potential of a secondary hazard, such as your hands contacting the router bit, or falling down or against an object.

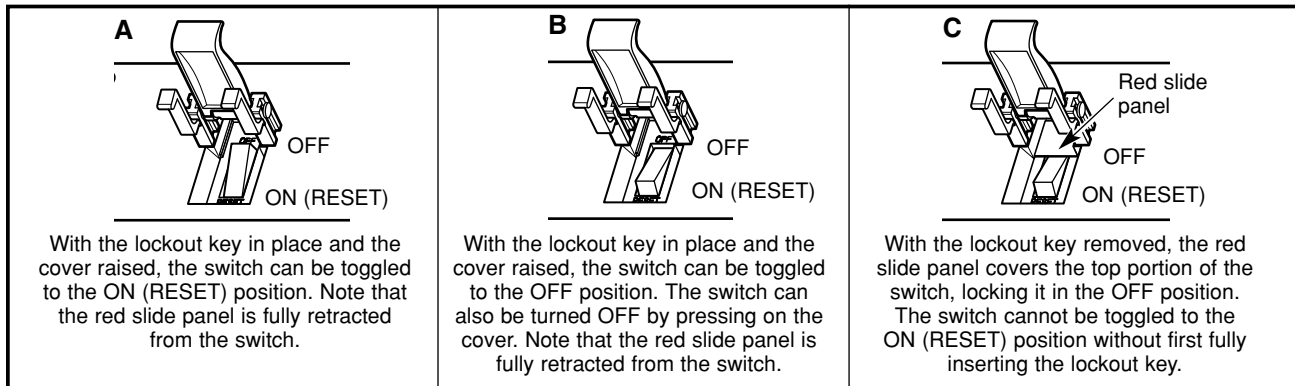
⚠ WARNING USE THE SWITCH BOX ONLY WHEN PROPERLY ASSEMBLED TO THE ROUTER TABLE. USE ONLY WITH A ROUTER THAT HAS ALSO BEEN PROPERLY INSTALLED ON A PROPERLY ASSEMBLED ROUTER TABLE.

⚠ WARNING THE SWITCH HAS A RATING OF 15 AMPS. DO NOT EXCEED A TOTAL COMBINED RATING OF 15 AMPS WHEN CONNECTING THE ROUTER AND ANY ACCESSORIES SUCH AS A LIGHT OR WET/DRY VACUUM.

FIG. 17



Router Table Operation



CONNECTING THE ROUTER POWER CORD TO THE SWITCH

WARNING

- **MAKE SURE THAT THE SWITCH POWER CORD IS NOT PLUGGED INTO ANY ELECTRICAL OUTLET AT THIS TIME. IF IT IS, UNPLUG IT.**
- **MAKE SURE THAT THE ROUTER SWITCH IS IN THE OFF POSITION.**
 1. Plug the router power cord into one of the electrical outlets on the back of the switch assembly.
 2. Form the excess power cord into a coil.
 3. Wrap two pieces of friction tape or cable ties around the coiled cord at opposite sides of the coil.
 4. Allow some slack so that the cord does not become stretched when it is plugged into the switch box outlets.
 5. If desired, at this time plug the power cord from an accessory, such as a wet/dry vac or light, into the other outlet on the back of the switch assembly.

WARNING **MAKE SURE THAT POWER CORDS FROM THE ROUTER, ACCESSORIES, THE SWITCH CASE, AND THE EXTENSION CORD DO NOT AND CANNOT COME IN CONTACT WITH THE ROUTER OR ANY MOVING PARTS OF THE ROUTER.**

- **This switch has a 15-amp rating and is intended only for turning the router and connected accessories such as a wet/dry vacuum “ON” and “OFF.”**

SWITCH OPERATION

This section explains the operation and features of the switch prior to plugging the power cord into an extension cord. The intent is to familiarize the user with the switch operation without actually turning ON the router.

The switch incorporates two positive features to prevent inadvertent switching ON of the router and the unauthorized, and possibly hazardous, use by others:

- There is a transparent cover over the actual switch to prevent the accidental switching ON of the router. This cover allows you to see a small red light on the switch toggle when the switch is turned ON. The switch can be turned OFF quickly by pushing the cover.
 - The light is ON when the switch is ON.
 - The light is OFF when the switch is OFF.
- The lockout key must be **completely** inserted into the side of the switch case before the switch can be turned ON.

To operate the switch:

MAKE SURE THAT THE EXTENSION CORD IS NOT PLUGGED INTO AN ELECTRICAL OUTLET BEFORE PROCEEDING ANY FURTHER.

1. Insert the lockout key into the side of the switch case. See Figure 17 on page 21.
2. To turn the router ON, lift the switch cover and toggle switch to ON (RESET) position. See A above. **Gently lower the switch cover.** Letting the switch cover drop closed may cause the switch to turn OFF.
3. To turn the router OFF, press the switch cover. The switch toggle will be in the OFF position, as shown in B above.

WARNING **NEVER LEAVE THE ROUTER UNATTENDED WHILE IT IS RUNNING OR BEFORE IT COMES TO A COMPLETE STOP.**

4. To lock switch in the OFF position, press the cover to turn the switch OFF and remove the lockout key completely from the side of the switch case. The red slide panel should cover the top half of the switch, as shown in C above.

With the lockout key removed and the red slide panel covering the top half of the switch toggle, the switch **CANNOT** be toggled to the ON position.

Router Table Operation

⚠ WARNING BEFORE PROCEEDING ANY FURTHER, MAKE SURE THE SWITCH ON THE ROUTER IS IN THE OFF POSITION AND THE SWITCH LEVER IS IN THE OFF POSITION.

The switch power cord can now be plugged into the extension cord.

⚠ WARNING MAKE SURE THAT POWER CORDS FROM THE ROUTER, ACCESSORIES, THE SWITCH CASE, AND THE EXTENSION CORD DO NOT AND CANNOT COME IN CONTACT WITH THE ROUTER OR ANY MOVING PARTS OF THE ROUTER.

ROUTER AND SWITCH OPERATION

This section explains operation of the switch with the power cord plugged into the extension cord.

The router will turn ON when the toggle switch is toggled to the ON (RESET) position.

1. Position the ON/OFF switch on the router in the ON position. On certain routers this will require the use of the switch trigger and “LOCK-ON” button. (Consult router owner’s manual.) **Make sure the switch on the switch case is in the OFF position when doing this.**
2. To turn the router ON, lift the switch cover and toggle the switch to the ON position. See A on page 22.
3. To turn the router OFF, push on the switch cover. See B on page 22.

⚠ WARNING NEVER LEAVE THE ROUTER UNATTENDED WHILE IT IS RUNNING OR BEFORE IT COMES TO A COMPLETE STOP.

NOTE: In the event of an overload, the internal switch circuit breaker will trip the switch to the OFF position. This will interrupt power to the router and any accessory plugged into the switch itself. **If this occurs, proceed as follows:**

1. Unplug the switch cord from the extension cord.
2. Remove the workpiece from the router table.
3. Correct the cause of the overload situation (i.e. the load exceeds the rated capacity of the switch).
4. Plug the switch power cord into the extension cord.
5. Restart the router as described in the section **ROUTER AND SWITCH OPERATION.**

WHEN THE ROUTER TABLE IS NOT IN USE

1. Press the switch cover to turn the switch OFF.
2. Remove the lockout key.
3. **Store the lockout key in a safe location where it is not available to children and other unauthorized persons.**
4. Unplug the switch cord from the extension cord.
5. Remove the router bit from the router.
6. Position the router collet assembly below the top of the router table.

NOTE: If the key should become lost or damaged, replacement keys are available from your local Bosch dealer.

INSTALLING A WET/DRY VAC

INSTALLATION OF A WET/DRY VAC TO THE DUST COLLECTOR

The guard/dust collector assembly has a port for connecting a wet/dry vac hose with a 2½” nozzle. To attach, simply push the nozzle into the port while holding the fence assembly in place.

⚠ CAUTION Operating the router table without a wet/dry vac can result in an excessive buildup of sawdust and wood chips under the fence assembly and overhead guard, reducing the performance of the router table and fence assembly.

RECOMMENDATION: To maximize performance, regardless of whether a wet/dry vac is being used, remove the sawdust and wood chips from under the fence assembly and overhead guard as needed.

RECOMMENDATION: It is always a good practice to keep the work area clean. As necessary, remove any accumulated sawdust and wood chips from the top of the router table, as well as from the surrounding work area and floor.

⚠ WARNING DO NOT REACH INTO THE AREA OF THE BIT WHILE THE ROUTER IS PLUGGED IN!

Router Table Operation

INSTALLING THE ROUTER BIT (CUTTER)

⚠ WARNING ALWAYS MAKE SURE THAT THE ROUTER IS TURNED OFF AND THE POWER CORD IS UNPLUGGED BEFORE MAKING ANY ADJUSTMENTS.

Install the router bit according to the instructions included with your router. Because of the large variation of router bits, certain router bits may not always operate in the desired manner with this router table.

To ensure that the most popular bits will perform satisfactorily, install the bit so that the router collet engages $3/4"$ of the router bit shank. If the shank of the router bit bottoms out in the collet, back out the router bit approximately $1/16"$ to allow for proper tightening.

NEVER INSTALL ROUTER BITS WITH LESS THAN $3/4"$ OF SHANK ENGAGEMENT IN THE COLLET.

ASSEMBLING THE FEATHERBOARDS (Figs. 18–20)

NOTE: The top/front side of each featherboard is marked to indicate proper feed direction.

Fence Featherboard (Figs. 18 and 19)

1. Insert two $1/4$ -20 x $1\frac{1}{2}"$ carriage bolts (31) through the slotted holes in the featherboard (19). See Fig. 18.
2. Slide a large washer (27) onto each carriage bolt and thread a small clamping knob (17) three or four turns onto each carriage bolt.
3. To install on the fence, slide a spacer (16) over the head of each carriage bolt, aligning the tabs on the spacer with the slot in the featherboard (Fig. 19). Then slide the carriage bolt heads into the T-slot on the top of the fence.

Tabletop Featherboard (Fig. 20)

1. Insert two $1/4$ -20 x $1\frac{1}{2}"$ carriage bolts (31) through the slotted holes in the featherboard (19).
2. Slide a large washer (27) onto each carriage bolt and thread a small clamping knob (17) three or four turns onto each carriage bolt.
3. To install the featherboard in the miter channel on the tabletop, insert the heads of the carriage bolts into the desired pair of keyhole slots on the tabletop (located in the miter channel). Then tighten the clamping knobs securely.

FIG. 18

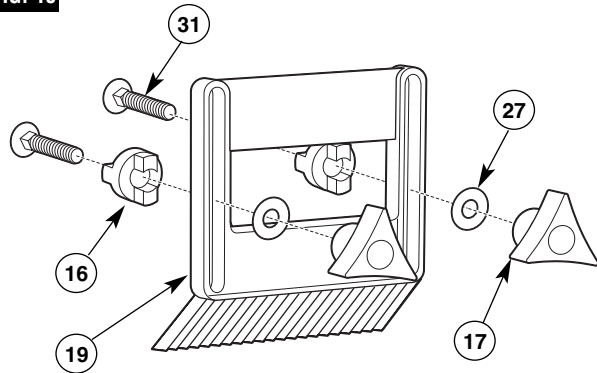


FIG. 19

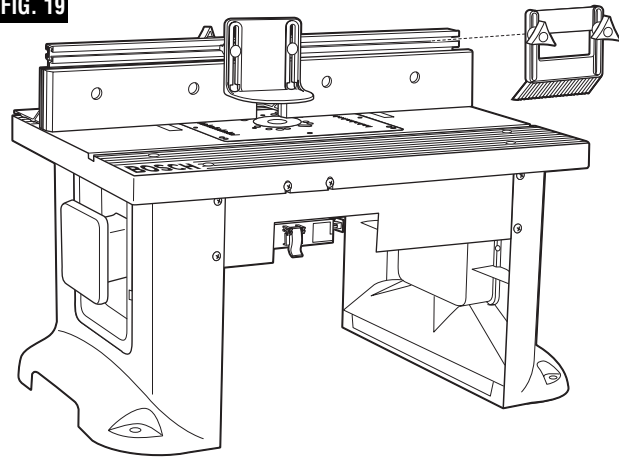
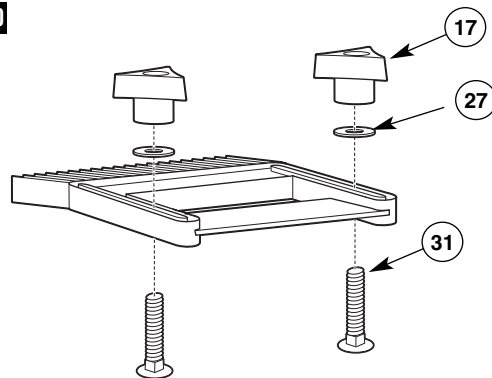


FIG. 20



Router Table Operation

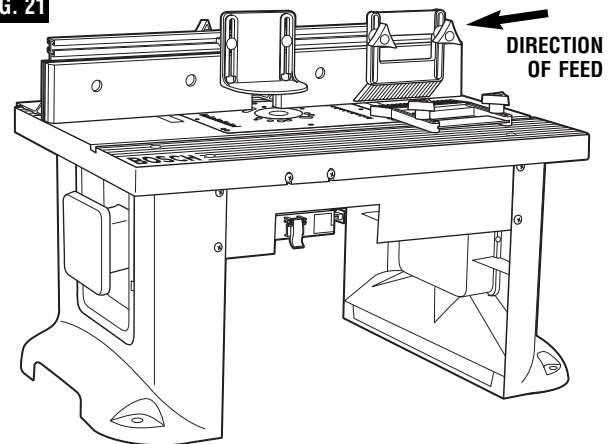
ROUTING USING FEATHERBOARDS (Fig. 21)

Featherboards are helpful in controlling the workpiece while routing and assist in keeping the workpiece flat on the tabletop. The table featherboard, combined with the fence featherboard, helps keep the workpiece pressed against the fence and tabletop. The best location for the featherboards varies according to your application, workpiece size, and other factors.

1. Loosely install the featherboard(s) as described on page 24.
2. Place the workpiece on the router table so that it is squarely against the fence.
3. Position the feather board so that the featherboard is snug against the workpiece and tighten the clamping knobs.
4. The workpiece should move with some resistance but without requiring a great effort.
5. For wider workpieces, the tabletop featherboard cannot be used. The second featherboard may also be positioned on the fence, if desired.

Additional featherboards, model RA1187, can be purchased from your Bosch retailer.

FIG. 21



WARNING

- Featherboards are an aid in holding the workpiece in position when routing on a router table.
- They are NOT intended to hold the workpiece in place alone when the workpiece is in contact with the bit, or at any other time when the bit is turning.
- NEVER let go of the workpiece when routing using the featherboards until the cut has been completed and the workpiece is completely clear of the bit.

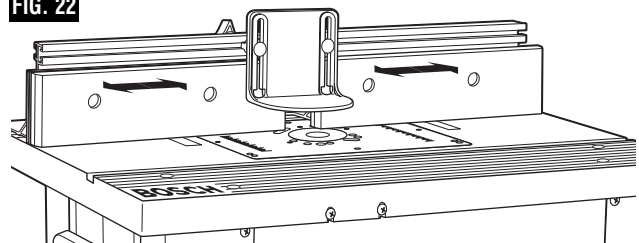
WARNING FOR ACCURACY IN ROUTING AND IMPROVED CONTROL, THE WORKPIECE SHOULD BE HELD AGAINST THE ROUTER TABLE FENCE WHEN ROUTING.

ADJUSTING THE FENCE FACING (Fig. 22)

The right and left fence facings are attached to the front face of the router table fence, and can be adjusted inward or outward from the router bit to allow proper clearance for different sized bits. To provide the best support during routing operations, the fence facings should be as close to the bit as possible without being able to come in contact with the bit (typically about 1/4" from the bit is a suitable distance).

1. Loosen the two clamping knobs on the backs of the fence facings and slide the facings inward or outward from the router bit as needed.

FIG. 22



WARNING ALWAYS MAKE SURE THAT THE FENCE, FENCE FACINGS, AND GUARD CANNOT COME IN CONTACT WITH THE ROUTER BIT. FAILURE TO DO SO WILL RESULT IN DAMAGE TO THE ROUTER TABLE AND CAN CAUSE PERSONAL INJURY.

2. Once the fence facings are in the desired position, tighten the clamping knobs SECURELY.

Router Table Operation

ADJUSTING DEPTH AND HEIGHT OF CUT (Fig. 23)

1. Select a board that is smooth and straight, with good square edges.
2. Mark lines "A" and "B" on the end of the board, as shown in Detail 23.
 - Line "A" indicates the desired *height of cut*.
 - Line "B" indicates the desired final *depth of cut*.
 - The area outlined by "A," "B," and the edge of the board is the area that will be cut away.
3. If the desired depth of cut can be cut in a single pass, loosen the fence clamping knobs and move the fence forward or backward until the outermost cutting edge of the router bit is aligned with line "B." It may be necessary to reposition the guard to provide clear access.

NOTE: For deeper cuts, do NOT attempt to make the cut in a single pass. Make multiple shallower cuts passes, progressively moving the fence backward until the desired depth of cut is reached.

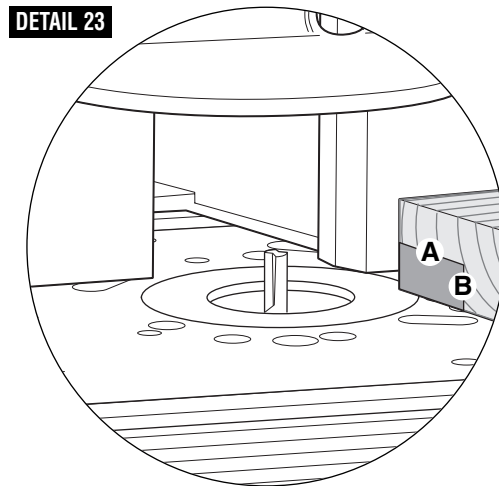
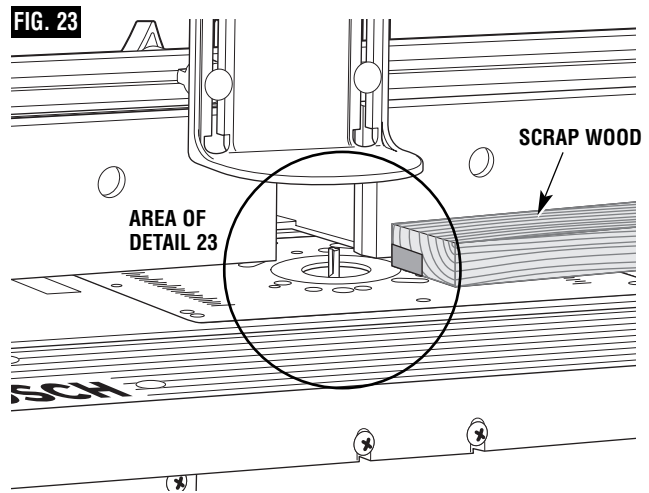
4. Use the scales on the tabletop as a guide to align the fence; then **SECURELY** tighten both fence clamping knobs.

⚠ WARNING ALWAYS MAKE SURE THAT THE FENCE AND GUARD CANNOT COME IN CONTACT WITH THE ROUTER BIT. FAILURE TO DO SO WILL RESULT IN DAMAGE TO THE ROUTER TABLE AND CAN CAUSE PERSONAL INJURY.

5. Following the instructions that came with your router, adjust the router height of cut until the top of the router bit lines up with line "A".
6. Once all adjustments have been made, double-check that:
 - The router is **SECURELY** tightened in the router base.
 - The router bit is **SECURELY** tightened in the router collet, with at least 3/4" shank engagement.
 - The router base is **SECURELY** tightened to the router mounting plate.

7. Remove the board from the table.

NOTE: When making adjustments, use a piece of scrap wood to make trial cuts before making the cut with the actual workpiece.



Router Table Operation

FULL EDGE CUTTING OR JOINTING (Figs. 24 and 25)

For maximum strength and accuracy, boards that are to be joined together should be smooth and true. The edges should be true to the workpiece surface. You can true the edges using the router table with a **straight bit**.

NOTE: Use the jointing shim(s) to provide continuous support for the workpiece as it is fed past the router bit.

⚠ WARNING ALWAYS MAKE SURE THAT THE ROUTER IS TURNED OFF AND THE POWER CORD IS UNPLUGGED BEFORE MAKING ANY ADJUSTMENTS.

1. Loosen the clamping knobs on the left fence facing.
2. Align the slot in the jointing shim(s) with the holes in the fence facing, and slide the jointing shim(s) between the fence and the left fence facing (Fig. 24).

Use one jointing shim for a 1/16" offset, or both jointing shims for a 1/8" offset

3. Install a straight bit in the router.
4. Position both fence facings so that they clear the bit by 1/4".
5. Tighten the four clamping knobs holding the fence facings in place.
6. Place a straight edge or a straight piece of wood on the table so that it rests against the left fence facing.
7. Move the fence back until the straight edge lines up with the cutting edge of the bit and is still in contact with the left fence facing.
8. Tighten the clamping knobs.
9. Remove the straight edge or board.
10. Adjust the height of the bit so that it will cut the complete thickness of the workpiece.
11. Position the featherboards, if desired. See ROUTING USING FEATHERBOARDS on page 25.
12. Remove the board from the table and **lower the overhead guard to the operating position. Tighten the guard clamping knobs SECURELY.**
13. Make sure that both the router and switch box are OFF; then plug the router into the switch box.

FIG. 24

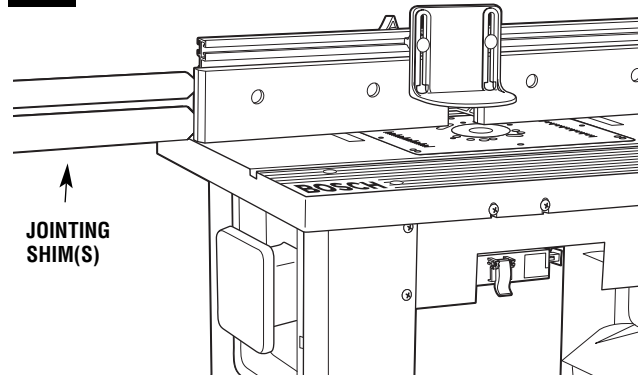
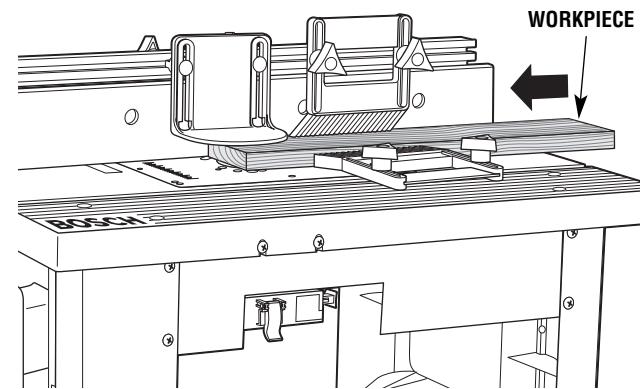


FIG. 25



14. **While firmly holding a piece of scrap wood against the fence and down against the router table**, feed a piece of scrap wood toward the bit in the direction shown by the arrow in Fig. 25.
15. Using the switch box, turn the router OFF. If any adjustments are needed, unplug the power cord and repeat steps 6–11 until all adjustments are correct. Once you are satisfied with all settings, make the cut with the actual workpiece.

Router Table Operation

EDGE CUTTING WITH NONPILOTED ROUTER BITS (Figs. 26 and 27)

⚠ WARNING ALWAYS MAKE SURE THAT THE ROUTER IS TURNED OFF AND THE POWER CORD IS UNPLUGGED BEFORE MAKING ANY ADJUSTMENTS.

NOTE: If the jointing shim is installed, remove it before proceeding.

When using nonpiloted router bits, the fence is used to set the depth of cut. For deep cuts, do not try to cut the total depth all in one pass. Repeat the cut, taking multiple smaller cuts.

1. Install the desired bit in the router.
2. Follow the instructions on page 26 to set the desired depth of cut and height of cut (Fig. 26). Make sure that the fence and router are **SECURELY** in place.
3. Position both fence facings so that they clear the bit by 1/4".
4. Tighten the four clamping knobs holding the fence facings in place.
5. Position the featherboards, if desired. See **ROUTING USING FEATHERBOARDS** on page 25.
6. Remove the board from the table and **lower the overhead guard to the operating position. Tighten the guard clamping knobs SECURELY.**

NOTE: When making adjustments, use a piece of scrap wood to make trial cuts before making the cut with the actual workpiece.

7. Make sure that both the router and switch box are **OFF**; then plug the router into the switch box.
8. **While firmly holding a piece of scrap wood against the fence and down against the router table**, feed a piece of scrap wood toward the bit in the direction shown by the arrow in Fig. 27.
9. Using the switch box, turn the router **OFF**. If any adjustments are needed, unplug the power cord and repeat steps 2–8 until all adjustments are correct. Once you are satisfied with all settings, make the cut with the actual workpiece.

FIG. 26

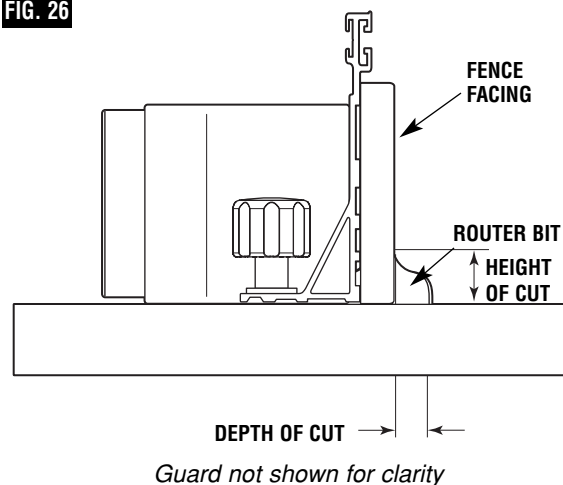
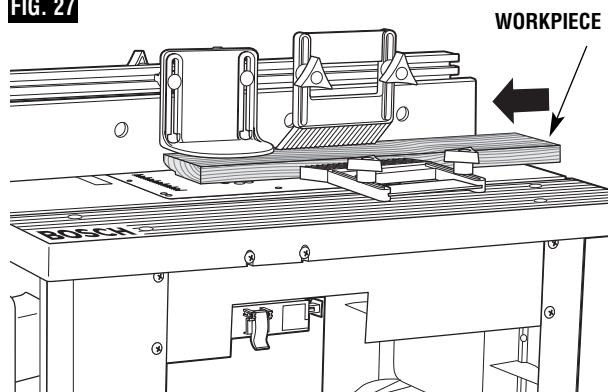


FIG. 27



Router Table Operation

EDGE CUTTING WITH PILOTED ROUTER BITS (Figs. 28 and 29)

⚠ WARNING ALWAYS MAKE SURE THAT THE ROUTER IS TURNED OFF AND THE POWER CORD IS UNPLUGGED BEFORE MAKING ANY ADJUSTMENTS.

NOTE: If the jointing shim is installed, remove it before proceeding.

1. Install the desired piloted bit in the router.
 2. Follow the instructions on page 26 to set the desired height-of-cut (Fig. 28). Make sure that the router is SECURELY in place.
 3. Adjust the router table fence back just enough that the pilot on the router bit will control the depth-of-cut. The router bit pilot should just barely protrude past the fence facings. Tighten the fence clamping knobs SECURELY.
 4. Position both fence facings so that they clear the bit by 1/4".
 5. Tighten the four clamping knobs holding the fence facings in place.
 6. Remove the board from the table and **lower the overhead guard to the operating position. Tighten the guard clamping knobs SECURELY.**
- NOTE:** When making adjustments, use a piece of scrap wood to make trial cuts before making the cut with the actual workpiece.
7. Make sure that both the router and switch box are OFF, then plug the router into the switch box.
 8. **While firmly holding a piece of scrap wood against the fence and down against the router table,** feed a piece of scrap wood toward the bit in the direction shown by the arrow in Fig. 29.
 9. Using the switch box, turn the router OFF. If any adjustments are needed, unplug the power cord and repeat steps 2–8 until all adjustments are correct. Once you are satisfied with all settings, make the cut with the actual workpiece.

FIG. 28

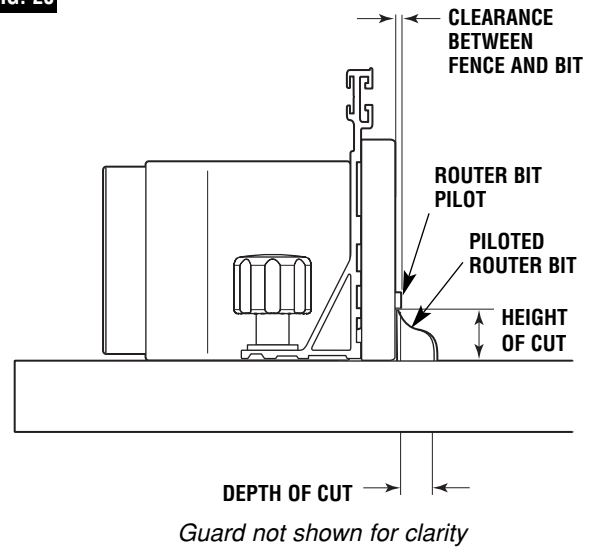
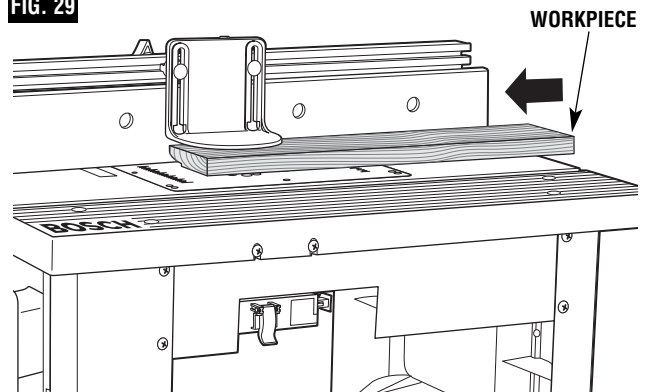


FIG. 29



Router Table Operation

GROOVING, FLUTING, AND VEINING (Figs. 30 and 31)

⚠ WARNING ALWAYS MAKE SURE THAT THE ROUTER IS TURNED OFF AND THE POWER CORD IS UNPLUGGED BEFORE MAKING ANY ADJUSTMENTS.

NOTE: If the jointing shim is installed, remove it before proceeding.

When performing these routing operations, the use of featherboards and a push shoe is recommended.

For best results and maximum accuracy, the side of the workpiece that will be against the fence must be square and straight.

If you are using a wet/dry vac, it should be connected to the vac port on the back of the table cabinet.

1. Install the desired end-cutting bit in the router.
2. Follow the instructions on page 26 to set the desired depth of cut (location of cut) and height of cut (Fig. 30). Make sure that the fence and router are **SECURELY** in place.

IMPORTANT: For deep cuts, do not try to cut the total depth (controlled by the router bit height) all in one pass. Repeat the cut, taking smaller cuts until the desired depth is reached.

3. Position both fence facings so that they provide continuous support of the workpiece.
4. Tighten the four clamping knobs holding the fence facings in place.
5. Position the featherboards, if desired. See **ROUTING USING FEATHERBOARDS** on page 25.

6. Remove the board from the table and **lower the overhead guard to the operating position. Tighten the guard clamping knobs SECURELY.**

NOTE: When making adjustments, use a piece of scrap wood to make trial cuts before making the cut with the actual workpiece.

7. Make sure that both the router and switch box are **OFF**; then plug the router into the switch box.
8. **While firmly holding a piece of scrap wood against the fence and down against the router table**, feed a piece of scrap wood toward the bit in the direction shown by the arrow in Fig. 31.
9. Using the switch box, turn the router **OFF**. If any adjustments are needed, unplug the power cord and repeat steps 2–8 until all adjustments are correct. Once you are satisfied with all settings, make the cut with the actual workpiece.

FIG. 30

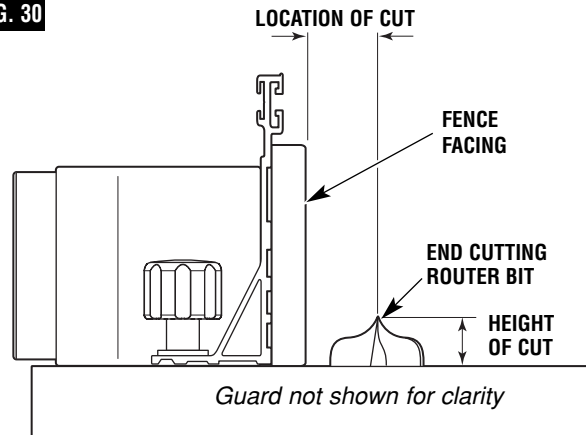
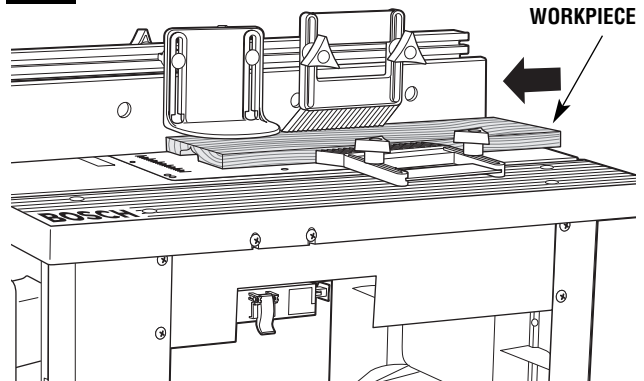


FIG. 31



Router Table Operation

USING THE STARTER PIN FOR EDGE FORMING OF CURVES

The starter pin (20) is used instead of the fence for operations that involve routing curves in the workpiece. It should be used only with bits that have pilot bearings. Thread the starter pin into the threaded hole in the mounting plate and tighten securely with a slotted screwdriver (Fig. 32).

Attach the starter pin guard (21) to the mounting plate by threading a #10-32 x 3/8" truss-head machine screw (22) through the hole in the guard post and into the threaded hole in the mounting plate. Align the guard with the hole in the mounting plate so it is over the bit and securely fasten the guard in place.

- Always use the starter pin guard when routing with the starter pin.
- When using the starter pin, the feed direction of the workpiece is always right to left across the front of the bit (Fig. 33).
- Set the workpiece against the front of the starter pin and swing it slowly into the bit.
- While routing, make sure the workpiece is always in contact with the bit's pilot bearing.

⚠ WARNING The auxiliary guard must be used for this type of operation. Keep fingers clear of spinning bit. Do not attempt to route small workpieces.

FIG. 32

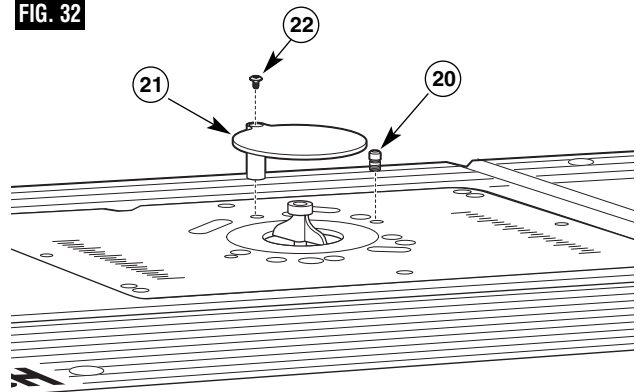


FIG. 33

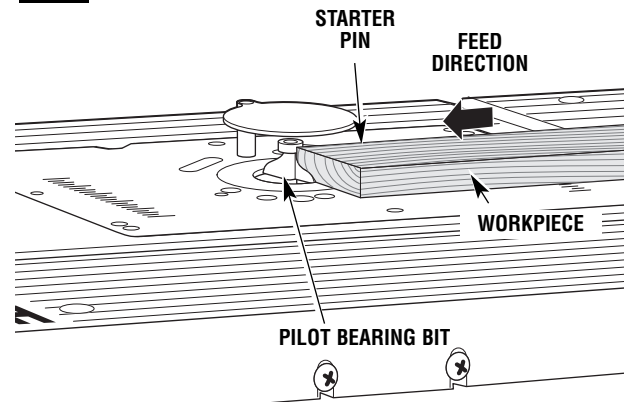
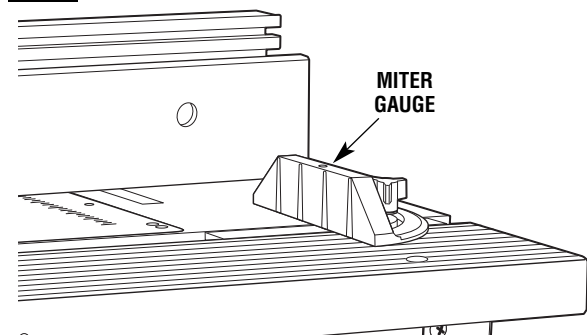


FIG. 34



USING A MITER GAUGE (not supplied)

The aluminum T-slot miter gauge slot may be used with most stationary table saw miter gauges that measure 3/4" wide x 3/8" deep.

NOTE: For ALL routing operations requiring the use of the miter gauge with the fence, BE SURE to align the fence using the scales on the top of the router table before making any cuts. Miters can be cut by loosening the knob on the protractor head, turning the protractor head up to 60° in either direction and retightening the protractor head knob.

Table des Matières

CONSIGNES DE SÉCURITÉ IMPORTANTES32–35
Liste de pièces36–39

Assemblage de la table à toupie40–50
Fonctionnement de la table à toupie51–63

Consignes de sécurité générales concernant les outils électriques



Vous devez lire et comprendre toutes les instructions de votre outil et pour l'utilisation de cette table à toupie avec votre toupie. Le non-respect, même partiel, des instructions ci-après entraîne un risque de blessures graves.

CONSERVEZ CES INSTRUCTIONS

Aire de travail


Veillez à ce que l'aire de travail soit propre et bien éclairée. Le désordre et le manque de lumière favorisent les accidents.

N'utilisez pas d'outils électriques dans une atmosphère explosive, par exemple en présence de liquides, de gaz ou de poussières inflammables. Les outils électriques créent des étincelles qui pourraient enflammer les poussières ou les vapeurs.

Tenez à distance les curieux, les enfants et les visiteurs pendant que vous travaillez avec un outil électrique. Ils pourraient vous distraire et vous faire faire une fausse manœuvre.

Sécurité électrique

Les outils avec mise à la terre doivent être branchés sur une prise installée correctement et reliée à la terre conformément à toutes les normes et décrets. N'enlevez jamais la fiche de terre et ne modifiez jamais la prise. N'utilisez jamais d'adaptateur de prise. Si vous n'êtes pas sûr que votre prise est correctement reliée à la terre, consultez un électricien. Si l'outil présente une avarie électrique ou tombe en panne, le circuit de terre sert de chemin à faible résistance pour conduire le courant et l'empêcher de passer à travers l'utilisateur. Un outil incorrectement relié à la terre risque de causer un choc électrique, des brûlures ou une électrocution. Les outils avec mise à la terre sont munis d'un cordon à trois fils et d'une prise à trois fiches. *Avant de brancher l'outil, assurez-vous que la tension de la prise correspond, à celle indiquée sur la plaque signalétique. N'utilisez pas d'outils prévus pour courant alternatif seulement avec une source de courant continu.*

Les outils à double isolation sont équipés d'une fiche polarisée (une des lames est plus large que l'autre), qui ne peut se brancher que d'une seule façon dans une prise polarisée. Si la fiche n'entre pas parfaitement dans la prise, inversez sa position; si elle n'entre toujours pas bien, demandez à un électricien qualifié d'installer une prise de courant polarisée. Ne modifiez pas la fiche de l'outil. La double isolation  élimine le besoin d'un cordon d'alimentation à trois fils avec mise à la terre ainsi que d'une prise de courant mise à la terre. *Avant de brancher l'outil, assurez-vous que la tension de la prise correspond, à celle indiquée sur la plaque signalétique. N'utilisez pas d'outils prévus pour courant alternatif seulement avec une source de courant continu.*

Évitez tout contact corporel avec des surfaces mises à la terre (tuyauterie, radiateurs, cuisinières, réfrigérateurs, etc.).

Le risque de secousse électrique est plus grand si votre corps est en contact avec la terre. Si l'utilisation de l'outil électrique dans un endroit humide est inévitable, un disjoncteur de fuite à la terre doit être utilisé pour alimenter votre outil. Des chaussures et des gants en caoutchouc d'électricien contribueront à accroître davantage votre sécurité personnelle.

N'exposez pas les outils électriques à la pluie ou à l'eau.

La présence d'eau dans un outil électrique augmente le risque de secousse électrique.

Ne maltraitez pas le cordon. Ne transportez pas l'outil par son cordon et ne débranchez pas la fiche en tirant sur le cordon. N'exposez pas le cordon à la chaleur, à des huiles, à des arêtes vives ou à des pièces en mouvement. Remplacez immédiatement un cordon endommagé. Un cordon endommagé augmente le risque de secousse électrique.

Lorsque vous utilisez un outil électrique à l'extérieur, employez une rallonge pour l'extérieur marqué « W-A » ou « W ». Ces cordons sont faits pour être utilisés à l'extérieur et réduisent le risque de secousse électrique. Reportez-vous aux « Information important sur des cordons de rallonge ».

Sécurité des personnes

Restez alerte, concentrez-vous sur votre travail et faites preuve de jugement. N'utilisez pas un outil électrique si vous êtes fatigué ou sous l'influence de drogues, d'alcool ou de médicaments. Un instant d'inattention suffit pour entraîner des blessures graves.

Laissez les gardes en place. Gardez-les en place, en bon état et bien réglés.

Méfiez-vous d'un mise en marche accidentel. Avant de brancher l'outil, assurez-vous que son interrupteur est sur ARRÊT. Le fait de transporter un outil avec le doigt sur la détente ou de brancher un outil dont l'interrupteur est en position MARCHÉ peut mener tout droit à un accident.

Enlevez les clés de réglage ou de serrage avant de mettre en marche l'outil. Une clé laissée dans une pièce tournante de l'outil peut provoquer des blessures.

Ne vous penchez pas trop en avant. Maintenez un bon appui et restez en équilibre tout temps. Une bonne stabilité vous permet de mieux réagir à une situation inattendue.

Portez toujours des lunettes de sécurité (protection de la tête). Portez des lunettes de sécurité (conformes à la norme ANSI Z87.1). Portez des souliers de travail non dérapants et un casque, si nécessaire. Portez également un masque facial ou à poussière si l'opération de coupe soulève de la poussière, et des protecteurs d'oreille (bouchons ou casque) si vous utilisez votre instrument longtemps.

Utilisation et entretien des outils

Immobilisez le matériau sur une surface stable au moyen de brides ou de toute autre façon adéquate. Le fait de tenir la pièce avec la main ou contre votre corps offre une stabilité insuffisante et peut amener un dérapage de l'outil.

Ne forcez pas l'outil. Utilisez l'outil approprié à la tâche. L'outil correct fonctionne mieux et de façon plus sécuritaire. Respectez aussi la vitesse de travail qui lui est propre.

N'utilisez pas un outil si son interrupteur est bloqué. Un outil que vous ne pouvez pas commander par son interrupteur est dangereux et doit être réparé.

Consignes de sécurité générales concernant les outils électriques

Débranchez la fiche de l'outil avant d'effectuer un réglage, de changer d'accessoire ou de ranger l'outil. De telles mesures préventives de sécurité réduisent le risque de mise en marche accidentel de l'outil.

Laissez les gardes en place. Gardez-les en place, en bon état et bien réglés.

Rangez les outils hors de la portée des enfants et d'autres personnes inexpérimentées. Les outils sont dangereux dans les mains d'utilisateurs novices.

Ne laissez pas fonctionner l'outil sans surveillance. Assurez-vous que l'outil est complètement arrêté AVANT DE VOUS ÉLOIGNER.

Prenez soin de bien entretenir les outils. Les outils de coupe doivent être toujours bien affûtés et propres. Des outils bien entretenus, dont les arêtes sont bien tranchantes, sont moins susceptibles de coincer et plus faciles à diriger. Toute altération ou modification constitue un usage erroné et peut causer un danger.

Soyez attentif à tout désalignement ou coincement des pièces en mouvement, à tout bris ou à toute autre condition

préjudiciable au bon fonctionnement de l'outil. Si vous constatez qu'un outil est endommagé, faites-le réparer avant de vous en servir. De nombreux accidents sont causés par des outils en mauvais état. Élaborez un calendrier d'entretien périodique de votre outil.

N'utilisez que des accessoires que le fabricant recommande pour votre modèle d'outil. Certains accessoires peuvent convenir à un outil, mais être dangereux avec un autre.

Réparation

La réparation des outils électriques doit être confiée à un réparateur qualifié. L'entretien ou la réparation d'un outil électrique par un amateur peut avoir des conséquences graves. Ainsi, des fils internes peuvent être mal placés ou pincés, des ressorts de rappel de garde peuvent être montés erronément.

Pour la réparation d'un outil, n'employez que des pièces de rechange d'origine. L'emploi de pièces non autorisées ou le non-respect des instructions d'entretien peut créer un risque de secousse électrique ou de blessures. Certains agents nettoyants tels qu'essence, tétrachlorure de carbone, ammoniac, etc., peuvent abîmer les pièces en plastique.

Consignes de sécurité supplémentaires pour la table à toupie

Lisez attentivement le manuel de la table à toupie et les avertissements concernant les accessoires et assurez-vous d'en comprendre le sens. Le défaut de respecter ces instructions et avertissements pourrait conduire à des accidents graves.

Assemblez et serrez toutes les attaches nécessaires pour le montage de la table et le montage de la toupie à la plaque. Attendez d'avoir terminé toutes les étapes de montage et d'installation avant d'utiliser la table à toupie. Inspectez le support et la toupie pour vous assurer que les attaches sont toujours serrées avant chaque utilisation. Un support desserré est instable et peut bouger pendant l'utilisation.

Assurez-vous que la toupie n'est pas branchée sur une prise électrique lors de son montage ou démontage de la table, ou lors de réglages ou de changements d'accessoires. La toupie pourrait mettre en marche accidentellement.

Ne branchez pas le câble d'alimentation du moteur de la défonceuse dans une prise murale standard. Il doit être branché sur l'interrupteur de la table à toupie. Les interrupteurs et les commandes des outils mécaniques doivent être à portée pour les situations d'urgence.

Avant la mise en marche, assurez-vous que l'ensemble de l'appareil (la table avec la toupie installée) est déposé et fixé sur une surface solide, plane et de niveau et qu'il ne basculera pas. L'utilisation de supports auxiliaires d'entrée et de sortie est nécessaire pour les pièces longues ou larges. Les pièces longues qui ne sont pas supportées adéquatement peuvent tomber de la table ou la faire basculer.

Assurez-vous que le moteur de la toupie est complètement attaché en toute sécurité à la base de la toupie. Vérifiez périodiquement le serrage de l'attache de la base. Le moteur de la toupie peut se détacher de la base par vibration pendant l'utilisation et tomber de la table.

N'utilisez pas la table à toupie sans le garde supérieur ou la garde de fraise auxiliaire. Retirez toute la poussière, les éclats et autres impuretés qui peuvent affecter son fonctionnement. Réglez la hauteur de la garde de sorte qu'elle ne touche pas la fraise de la toupie ou la pièce. La garde permet d'éviter le contact accidentel des mains avec la fraise tournante.

Ne placez jamais les doigts près d'une fraise tournante ou sous une garde lorsque la toupie est branchée. Ne tenez jamais la pièce du côté sortie de la fraise. Le fait de pousser la pièce contre le côté sortie de la cloison peut causer le coincement du matériau et un rebond qui pourrait entraîner la main vers la fraise.

Servez-vous du guide pour guider l'avance de la pièce. Ne placez pas de matériau entre la fraise de la toupie et le guide pendant que vous découpez le bord de la pièce. Cela causerait le coincement du matériau et un risque de rebond.

Les toupies sont conçues pour le travail du bois, des matières semblables au bois, des matières plastiques ou laminées, et non pour couper ou façonner les pièces métalliques. Assurez-vous que la pièce ne contient pas de clou, etc. Le découpage des clous peut entraîner une perte de contrôle.

N'utilisez pas de fraise ayant un diamètre de coupe supérieur au trou de dégagement de la bague amovible du plateau de table. La fraise pourrait toucher la bague et projeter des fragments.

Installez la fraise conformément aux instructions du manuel de la toupie et fixez fermement la fraise dans le mandrin à pince avant de couper pour éviter que la lame se détache pendant le fonctionnement.

N'utilisez jamais de fraise émoussée ou endommagée. Les fraises tranchantes doivent être manipulées avec soin. Les fraises endommagées peuvent casser pendant l'utilisation. Les fraises émoussées nécessitent davantage de force pour pousser la pièce, ce qui peut causer la rupture de la fraise ou le rebond du matériau.

La table à toupie est conçue pour couper les matériaux plats, droits et perpendiculaires. Ne coupez pas les matériaux déformés, lâches ou instables. Si le matériau est stable mais légèrement courbé, coupez-le avec le côté concave placé contre la table ou le guide. Le fait de couper le matériau avec le côté concave en direction opposée à la surface d'appui peut causer une perte de contrôle suite au roulement et au rebond du matériau déformé ou instable.

Ne démarrez jamais l'outil lorsque la fraise est engagée dans le matériau. Le bord tranchant de la fraise peut accrocher le matériau et faire perdre le contrôle de la pièce.

Avancez la pièce dans le sens opposé à la rotation de la fraise. Vu depuis le dessus de la table, la fraise tourne dans le sens antihoraire. Si la pièce avance dans le mauvais sens, elle « montera » sur la fraise, ce qui entraînera la pièce, et peut-être la main, sur la fraise tournante.

Utilisez des poussoirs, des guides à languettes montés à la verticale et l'horizontale et d'autres gabarits pour retenir la pièce. Ces accessoires éviteront que les mains se trouvent à proximité de la fraise tournante pour tenir la pièce.

N'utilisez jamais votre table comme établi ou surface de travail. Si vous l'utilisez pour faire autre chose que travailler à la toupie, vous risquez d'occasionner des dommages et de rendre son utilisation dangereuse.

Des fraises pilotées et la goupille de démarrage sont utilisés pour travailler sur les contours internes et externes de la pièce. Utilisez le protecteur de fraise auxiliaire pour former le matériau avec la goupille

de démarrage et les fraises pilotées. La goupille de démarrage et le palier de la fraise pilotée aident à conserver le contrôle de la pièce.

Ne montez jamais sur la table et ne l'utilisez jamais comme échelle ou échafaudage. La table pourrait basculer ou l'outil de coupe pourrait être touché accidentellement.

Utilisez seulement les pièces de rechange Bosch. Toute autre pièce présente un risque.

Emplacement du guide et sens d'avance incorrects

⚠ MISE EN GARDE

Le guide et/ou la pièce sont placés incorrectement quand on observe ce qui suit :

- L'avant de la fraise est visible pendant la coupe (Fig. A).
- Coupe « en avalant » : la pièce ne doit pas avancer dans le même sens que la rotation de la fraise. La pièce risque de monter sur la fraise et ainsi causer une perte de contrôle (Fig. B).

Coincement contre le guide : ce positionnement incorrect du guide exige une attention particulière : le coincement de la pièce se produit lorsque le guide est placé si loin vers l'arrière que l'avant de la pièce (coté de l'interrupteur) se trouve derrière la fraise de la toupie.

⚠ MISE EN GARDE

Le coincement contre le guide est dangereux pour deux raisons :

- La fraise est exposée sur la partie avant (côté de l'interrupteur d'alimentation) de la pièce.
- Le risque est élevé d'une montée sur la fraise qui pourrait résulter en perte de contrôle.

La figure A illustre le coincement d'une pièce entre le guide et la fraise.

N'avance pas la pièce de gauche à droite : (Fig. B)

- La coupe se ferait « en avalant ».
- Il serait difficile de maintenir la pièce contre le guide car la rotation de la fraise tendrait à l'en éloigner.

FIG. A

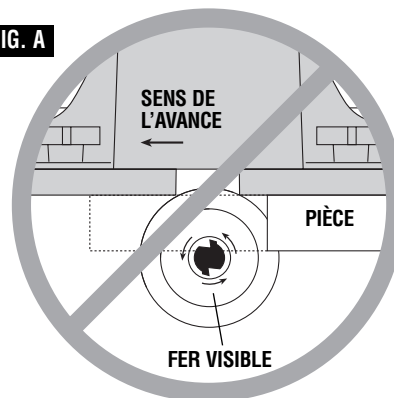
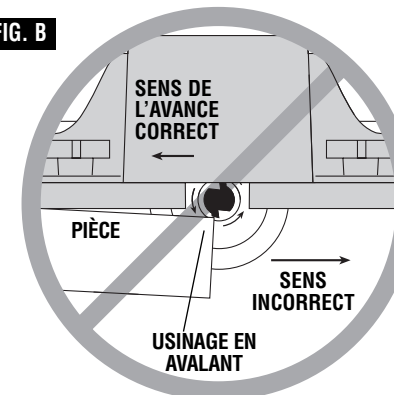


FIG. B



Information importante pour les cordons de rallonge

⚠ MISE EN GARDE

Si un cordon de rallonge s'avère nécessaire, vous devez utiliser un cordon avec conducteurs de dimension adéquate pouvant porter le courant nécessaire à votre outil. Ceci prévient une chute excessive de tension, une perte de courant ou une surchauffe. Les outils mis à la terre doivent utiliser des cordons de rallonge trifilaires pourvus de fiches à trois broches ainsi que des prises à trois broches.



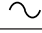
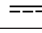
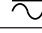
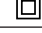
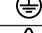
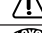

REMARQUE : Plus le calibre est petit, plus le fil est gros.

DIMENSIONS DE RALLONGES RECOMMANDÉES OUTILS 120 VOLTS COURANT ALTERNATIF

Tool's Ampere Rating	Cord Size in A.W.G.				Wire Sizes in mm ²			
	Cord Length in Feet				Cord Length in Meters			
	25	50	100	150	15	30	60	120
3-6	18	16	16	14	.75	.75	1.5	2.5
6-8	18	16	14	12	.75	1.0	2.5	4.0
8-10	18	16	14	12	.75	1.0	2.5	4.0
10-12	16	16	14	12	1.0	2.5	4.0	—
12-16	14	12	—	—	—	—	—	—

Symboles

Important : Certains des symboles suivants peuvent être utilisés sur votre outil. Veuillez les étudier et apprendre leur signification. Une interprétation appropriée de ces symboles vous permettra d'utiliser l'outil de façon plus efficace et plus sûre.

Symbole	Nom	Désignation/Explication
V	Volts	Tension (potentielle)
A	Ampères	Courant
Hz	Hertz	Fréquence (cycles par seconde)
W	Watt	Puissance
kg	Kilogrammes	Poids
min	Minutes	Temps
s	Secondes	Temps
∅	Diamètre	Taille des mèches de perceuse, meules, etc.
n ₀	Vitesse à vide	Vitesse de rotation, à vide
.../min	Tours ou mouvement alternatif par minute	Tours, coups, vitesse en surface, orbites, etc., par minute
0	Position d'arrêt	Vitesse zéro, couple zéro ...
1, 2, 3, ... I, II, III, ...	Réglages du sélecteur	Réglages de vitesse, de couple ou de position Un nombre plus élevé signifie une vitesse plus grande
	Sélecteur variable à l'infini avec arrêt	La vitesse augmente depuis le réglage 0
	Flèche	Action dans la direction de la flèche
	Courant alternatif	Type ou caractéristique du courant
	Courant continu	Type ou caractéristique du courant
	Courant alternatif ou continu	Type ou caractéristique du courant
	Construction classe II	Désigne des outils construits avec double isolation
	Borne de terre	Borne de mise à la terre
	Symbole d'avertissement	Alerte l'utilisateur aux messages d'avertissement.
	Sceau Ni-Cad RBRCmc	Désigne le programme de recyclage des piles Ni-Cad.



Ce symbole signifie que cet outil est approuvé par Underwriters Laboratories.



Ce symbole signifie que cet outil est approuvé conformément aux normes canadiennes par Underwriters Laboratories.



Ce symbole signifie que cet outil se conforme aux normes mexicaines NOM



Ce symbole signifie que cet outil est approuvé par l'Association canadienne de normalisation.



Ce symbole signifie que cet outil est approuvé par Underwriters Laboratories et qu'il a été homologué selon les normes canadiennes par Underwriters Laboratories.



Ce symbole signifie que des composantes de cet outil sont approuvées par Underwriters Laboratories et qu'il a été homologué selon les normes canadiennes par Underwriters Laboratories.

Liste de pièces

Référez-vous à la liste de pièces ci-dessous et aux pages 37 à 39.

• **MISE EN GARDE**

Si l'une ou l'autre pièce est manquante, N'essayez PAS d'assembler, d'installer ou d'utiliser votre table à toupie avant que les pièces manquantes aient été retrouvées ou remplacées et que votre table à toupie ait été correctement assemblée, conformément au présent manuel.

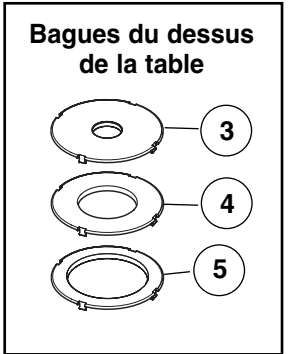
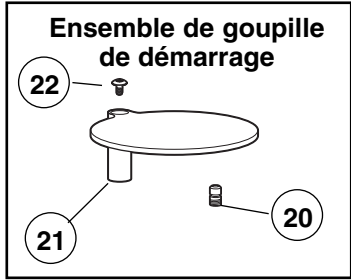
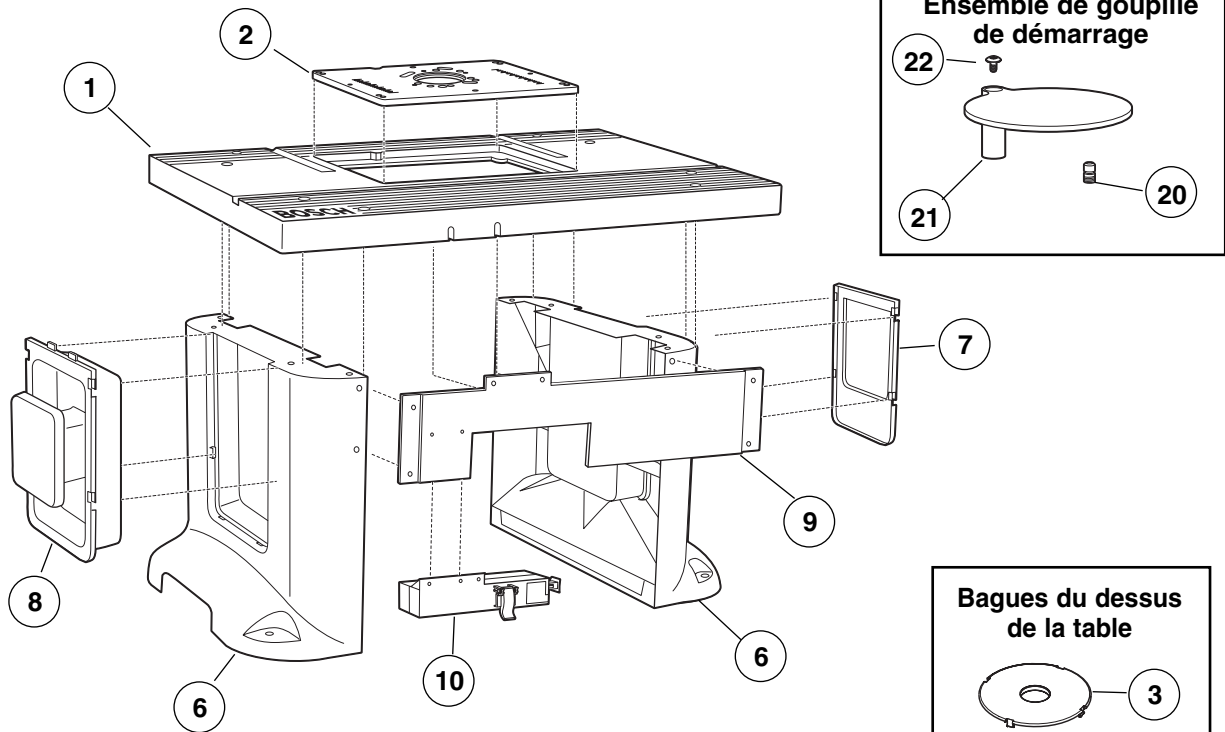
• **Pour les pièces manquantes ou l'assistance technical appelez aux 1-877-BOSCH99 (877-267-2499).**

- Afin de simplifier la manutention et de minimiser tout dommage pouvant se produire durant l'expédition, votre table à toupie n'est pas assemblée.
- Séparez toutes les pièces des matériaux d'emballage et comparez chaque pièce avec son illustration et la liste de pièces, afin de vous assurer que toutes les pièces sont comprises. Faites cela avant de vous défaire de tout matériau d'emballage.

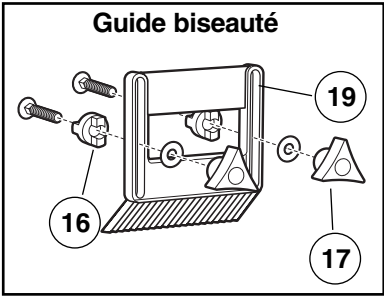
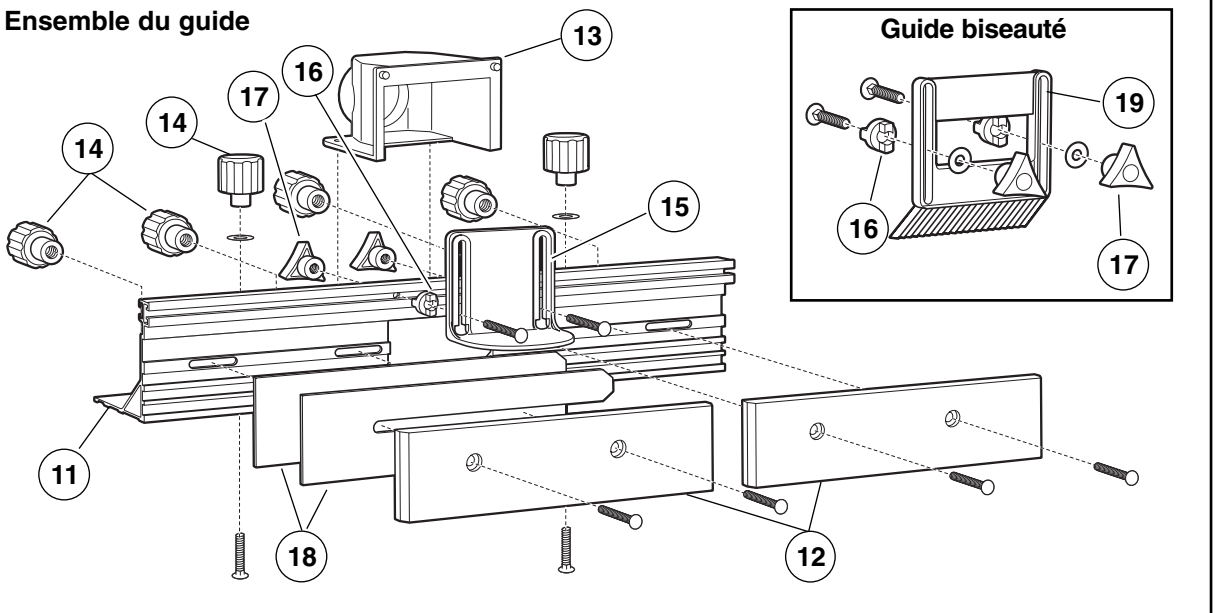
N° rep.	Description	Quantité
Ensemble de la table à toupie		
1	Dessus de la table à toupie	1
2	Plaque adaptatrice de toupie	1
3	Bagues de dessus de la table avec trou de 1 po	1
4	Bagues de dessus de la table avec trou de 2 po	1
5	Bagues de dessus de la table avec trou de 2¾ po	1
6	Patte de table	2
7	Panneau de rangement de patte	1
8	Panneau d'enroulement de cordon de patte	1
9	Tableau de bord	1
10	Ensemble de interrupteur avec clé de sécurité	1
Ensemble du guide		
11	Guide d'aluminium	1
12	Parement du guide	2
13	Orifice d'aspiration	1
14	Gros bouton de serrage (dans le sac à quincaillerie)	6
15	Garde supérieur	1
16	Bague d'espacement (dans le sac à quincaillerie)	6
17	Petit bouton de serrage (dans le sac à quincaillerie)	6
18	Cale d'assemblage de 1/16 po	2
19	Guide biseauté	2
Ensemble de goupille de démarrage		
20	Goupille de démarrage	1
21	Protecteur de goupille de démarrage	1
22	Vis à métaux à tête bombée n°10-32 x 3/8 po	1
Articles non-illustrés		
23	Manuel d'utilisation de la table à toupie	1

Liste de pièces



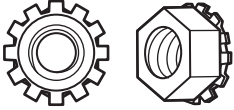
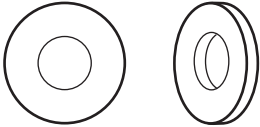
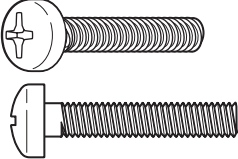
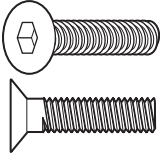
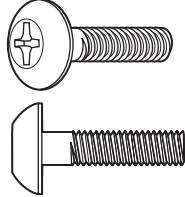
Ensemble de la table



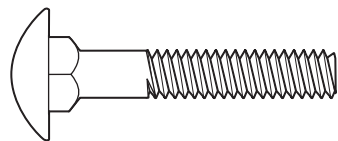
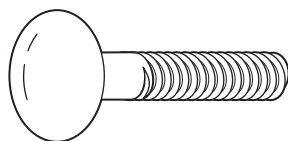
Ensemble du guide



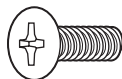
Liste de pièces

N° Rep.	Description	Quantité
B	ATTACHES FOURNIS (Pour l'assemblage de la table)	
24	Écrou «KEPS» n° 10-32	8
25	Écrou de blocage ESNA n° 10-32	13
26	Écrou «KEPS» 1/4-20	9
27	Rondelle 9/32 po D.I. x 5/8 po D.E. x 1/16 po	8
28	Vis à métaux Phillips à tête ronde n° 10-32 x 1 po	4
29	Vis à métaux Allen à tête fraisée n° 10-32 x 3/4 po	9
30	Vis à métaux Phillips à tête bombée n° 10-32 x 3/4 po	8
31	Boulon de carrosserie 1/4-20 x 1½ po	8
32	Clé Hex 1/8 po (Clé Allen)	1
	ATTACHES FOURNIS (Pour l'assemblage du guide)	
24	Écrou «KEPS» n° 10-32	2
27	Rondelle 9/32 po D.I. x 5/8 po D.E. x 1/16 po	2
33	Vis à métaux Phillips à tête fraisée n° 10-32 x 5/8 po	2
31	Boulon de carrosserie 1/4-20 x 1½ po	6
34	Boulon de carrosserie 1/4-20 x 1 po	6
	ATTACHES FOURNIS (Pour le montage des toupies)	
26	Écrou «KEPS» 1/4-20	4
27	Rondelle 9/32 po D.I. x 5/8 po D.E. x 1/16 po	4
35	Vis à métaux Phillips à tête ronde n° 10-32 x 3/4 po	3
36	Vis à métaux Phillips à tête ronde 1/4-20 x 1½ po	4
37	Vis à métaux Phillips à tête ronde n° 10-24 x 3/4 po	3
38	Vis à métaux Phillips à tête ronde n° 8-32 x 3/4 po	3
39	Vis à métaux Phillips à tête ronde 5/16-18 x 3/4 po	3
<p>REMARQUE : Le sac de quincaillerie contient des attaches pour plusieurs modèles. Certaines attaches ne peuvent pas être utilisées pour assembler votre modèle. Consultez la liste de pièces ci-dessus pour trouver la bonne taille et la bonne quantité d'attaches à utiliser avec ce tableau.</p>		
<div style="display: flex; justify-content: space-around; align-items: flex-start;"> <div style="text-align: center;">  <p>(24) Écrou «KEPS» n° 10-32</p> </div> <div style="text-align: center;">  <p>(25) Écrou de blocage ESNA n° 10-32</p> </div> <div style="text-align: center;">  <p>(26) Écrou «KEPS» 1/4-20</p> </div> <div style="text-align: center;">  <p>(27) Rondelle 9/32 po D.I. x 5/8 po D.E. x 1/16 po</p> </div> </div> <div style="display: flex; justify-content: space-around; align-items: flex-start;"> <div style="text-align: center;">  <p>(28) Vis à métaux Phillips à tête ronde n° 10-32 x 1 po</p> </div> <div style="text-align: center;">  <p>(29) Vis à métaux Allen à tête fraisée n° 10-32 x 3/4 po</p> </div> <div style="text-align: center;">  <p>(30) Vis à métaux Phillips à tête bombée n° 10-32 x 3/4 po</p> </div> </div>		

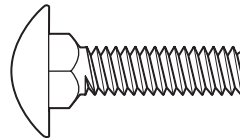
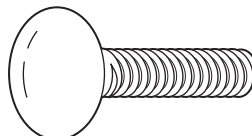
Liste de pièces



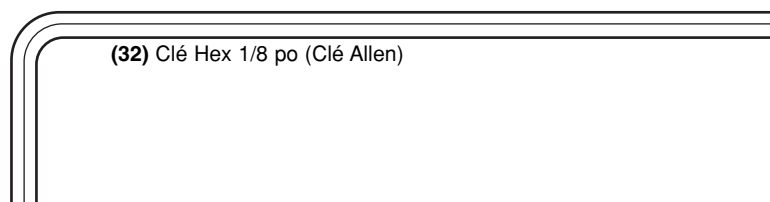
(31) Boulon de carrosserie
1/4-20 x 1 1/2 po



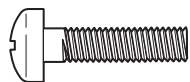
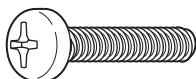
(33) Vis à métaux Phillips à
tête fraisée
n° 10-32 x 5/8 po



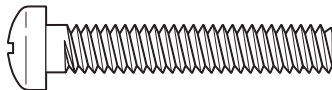
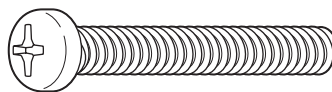
(34) Boulon de carrosserie
1/4-20 x 1 po



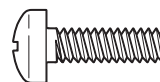
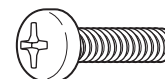
(32) Clé Hex 1/8 po (Clé Allen)



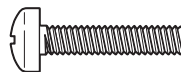
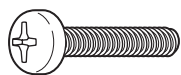
(35) Vis à métaux Phillips à tête ronde
n° 10-32 x 3/4 po



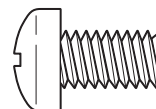
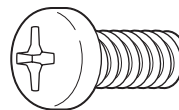
(36) Vis à métaux Phillips à tête ronde
1/4-20 x 1 1/2 po



(37) Vis à métaux Phillips à tête
ronde n° 10-24 x 3/4 po



(38) Vis à métaux Phillips à tête ronde
n° 8-32 x 3/4 po



(39) Vis à métaux Phillips à tête ronde
5/16-18 x 3/4 po

Assemblage de la table à toupie

ASSEMBLAGE DE LA TABLE À TOUPIE

PIÈCES RAPPORTÉES POUR PATTES DE TABLE : (FIG. 1)

La table à toupie comporte deux pièces rapportées pour pattes de table.

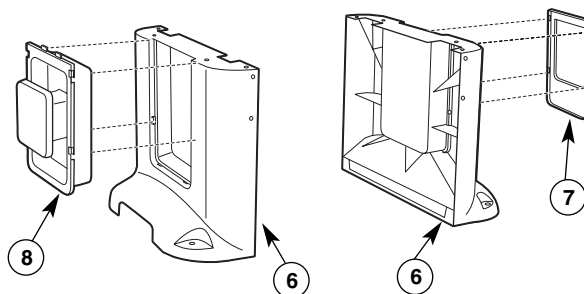
- Panneau de rangement de patte (7), pour faciliter le rangement des accessoires
- Panneau d'enroulement de cordon de patte (8)

Pour fixer les pièces rapportées aux pattes de la table à toupie, suivez ces étapes :

1. Placez la pièce rapportée (7 ou 8) dans l'ouverture de la patte (6) de sorte qu'elle soit positionnée tout en haut de l'ouverture.
2. Appuyez sur la pièce se sorte qu'elle s'enfonce et soit à égalité avec la patte.
3. Poussez la pièce rapportée vers le bas jusqu'à ce qu'elle verrouille en place.

REMARQUE : Le panneau d'enroulement de cordon possède deux languettes en haut du panneau qui se verrouillent sous la surface de la table. Ces languettes permettent d'empêcher le panneau de se détacher pendant l'enroulement ou le déroulement du cordon.

FIG. 1



OUTILS REQUIS (NON COMPRIS)

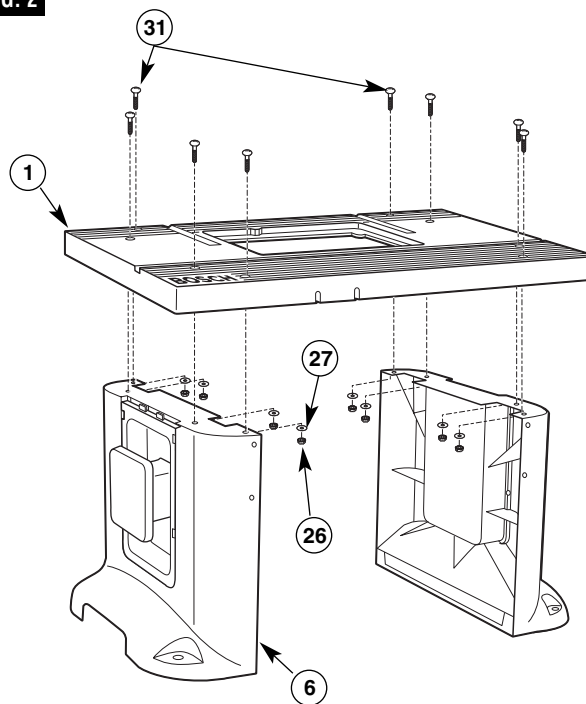
- Tournevis Phillips
- Petite clé réglable
- Ruban adhésif

PATTES DE LA TABLE À TOUPIE (FIG. 2)

1. Insérez huit boulons à carrosserie 1/4-20 x 1 1/2 po de long (31) dans le dessus de table à toupie (1), tel qu'illustré à la figure 2.
2. Assemblez une des pattes (6) de la table à toupie, tel qu'illustré ci-contre.
3. Placez une rondelle (27) de 9/32 po D.I. x 5/8 po D.E. x 1/16 po d'épaisseur et un écrou « KEPS » 1/4-20 (26) sur chacun des boulons.
4. Serrez fermement toutes les attaches.

REMARQUE : Il peut être plus facile d'assembler les pattes en posant la table à toupie sur l'avant ou l'arrière ou en utilisant un ruban adhésif sur les têtes des boulons de carrosserie pour les maintenir en place et en retournant la table à toupie à l'envers.

FIG. 2

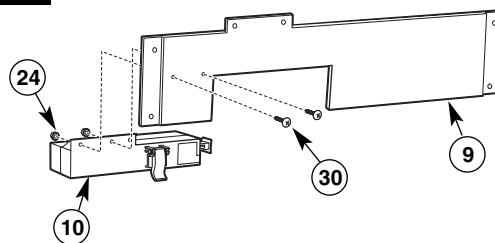


Assemblage de la table à toupie

FIXEZ L'INTERRUPTEUR AU TABLEAU DE BORD (FIG. 3)

1. Alignez les deux trous les plus éloignés en haut de l'ensemble d'interrupteur (10) aux trous du tableau de bord (9), comme l'indique la figure 3.
2. Insérez deux écrous KEPS n° 10-32 (24) dans les enfoncements de forme hexagonale au dos de l'ensemble de l'interrupteur (10) et fixez ce dernier à son support de montage avec deux vis à métaux à tête ronde n° 10-32 x 3/4 po (30) tout en maintenant les écrous en place dans l'enfoncement avec votre doigt.

FIG. 3

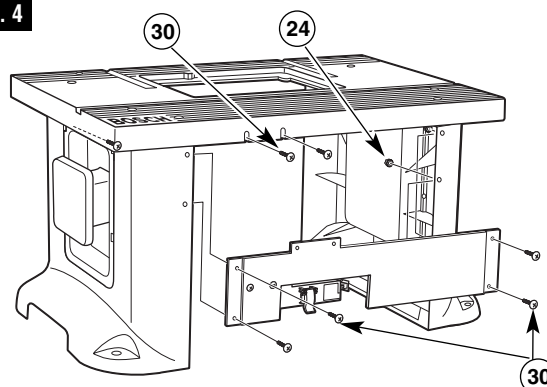


FIXEZ L'ASSEMBLAGE DE L'INTERRUPTEUR ET PANNEAU AVANT À LA TABLE À TOUPIE (FIG. 4)

NOTE : Le panneau avant se fixe à l'intérieur des deux pattes et du dessus de la table à toupie.

1. Alignez les trous du panneau avant avec les trous des pattes et les deux fentes sur le devant du dessus de la table à toupie.
2. Fixez le panneau avant au dessus de la table à toupie à l'aide de deux vis à métaux à tête bombée n° 10-32 x 3/4 po (30) et de deux écrous « KEPS » n° 10-32 (24), tel qu'illustré à la figure 4.
3. Fixez le panneau avant aux pattes à l'aide de quatre vis à métaux à tête bombée n° 10-32 x 3/4 po (30) et de quatre écrous « KEPS » n° 10-32 (24), tel qu'illustré à la figure 4.
4. SERREZ FERMEMENT toutes les vis.

FIG. 4



Assemblage de la table à toupie

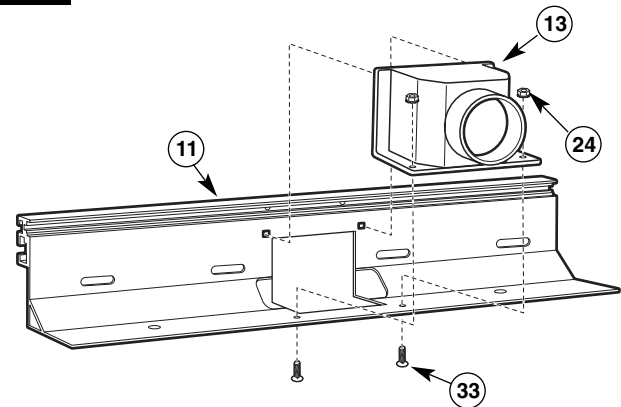
ASSEMBLER LE GUIDE

ASSEMBLAGE DU GUIDE (Figs. 5 et 6)

1. Insérez les taquets moulés sur l'orifice d'aspiration (13) dans les trous en la derrière du guide en aluminium (11) comme l'indique la figure 5.
2. En partant du bas du guide, insérez deux vis à tête noyée n° 10-32 x 5/8 po (33) afin qu'ils atteignent les trous situés en bas du guide d'onglets et de l'entrée d'aspiration. Fixez à l'aide de deux écrous KEPS n° 10-32 (24) (Fig. 5).
3. Placez le guide en aluminium (11) vers le haut sur une surface plate et alignez les trous chambrés de la surface du guide (12) aux fentes du guide. Le côté chambré de la surface doit être tourné vers l'extérieur (Fig. 6).
4. Fixez les deux surfaces du guide (12) à l'avant du guide, à l'aide de deux boulons de carrosserie de 1/4-20 x 1 po (34) et deux gros boutons de serrage (14) pour chaque surface du guide (Fig. 6).
5. En partant du devant de la garde (15), insérez deux boulons de carrosserie de 1/4-20 x 1 1/2 po (31) dans les trous de la garde. Faites glisser une bague d'espacement (16) sur chaque boulon de manière à ce que les taquets des bagues d'espacement entrent dans les fentes du guide d'onglets.
6. En partant du devant du guide, insérez les boulons de carrosserie dans les trous situés au centre du guide. Les taquets de la bague d'espacement s'alignent avec la fente en T du guide. Fixez à l'aide d'un petit bouton de serrage (17) sur chaque boulon (Fig. 6).

REMARQUE : Pour simplifier l'installation de la plaque d'adaptation de la toupie et de la toupie, n'installez pas pour l'instant le guide d'onglets dans la table à toupie.

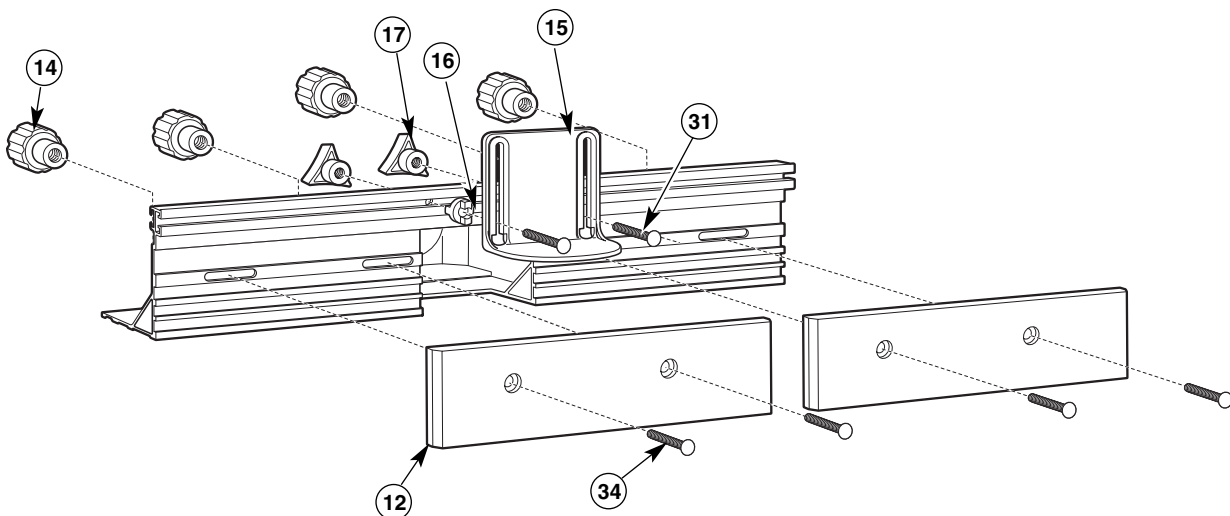
FIG. 5



REMARQUE : deux cales d'assemblage en plastique (18) sont incluses pour assurer un bon décalage lors de l'assemblage. Pour de plus amples renseignements sur les manœuvres d'assemblage et l'emplacement de la cale, voir la page 59.



FIG. 6



Assemblage de la table à toupie

INSTALLER LA PLAQUE DE MONTAGE DE LA TOUPIE

UTILS REQUIS (NON COMPRIS)

- Clé Allen (32) (comprise avec la table à toupie)
- Tournevis Phillips
- Règle droite
- Petite clé réglable

REMARQUE : Les cloisons **NE** doivent **PAS** être installées sur la table à toupie pour les procédures suivantes.

INSTALLATION PRÉLIMINAIRE DE LA PLAQUE DE MONTAGE DE LA TOUPIE (FIGS. 7A –7C)

1. Vissez complètement un écrou de blocage ESNA n°10-32 (25) sur chacune des huit vis à tête creuse fraisée n°10-32 x 3/4 po (29), tel qu'illustré à la figure 7A. L'écrou de blocage doit être inséré sur la vis dans le sens indiqué à la figure 7A.

NOTE : Une clé Allen et une clé anglaise vous seront utiles, car l'écrou est pourvu d'un filet serré.

2. Placez les huit ensembles vis et écrous dans les huit orifices hexagonaux de la dépression au centre de la table, tel qu'illustré à la figure 7B.

Les filets de vis doivent être introduits dans les trous au fond des orifices.

3. Placez la plaque de montage de la toupie dans l'ouverture du dessus de table de manière à ce qu'elle repose sur les têtes de vis, tel qu'illustré à la figure 7B.
4. Placez une règle droite ou un niveau, sur la plaque de montage, tel qu'illustré à la figure 7C. La règle doit être assez longue pour couvrir entièrement l'ouverture dans le dessus de la table à toupie.
5. Insérez une clé Allen (32) dans les huit trous ronds de la plaque de montage jusqu'au fond de la tête creuse des vis (figure 7C).
6. Levez et abaissez la plaque de montage en tournant les vis jusqu'à ce que la plaque soit de niveau et à égalité avec le dessus de la table à toupie.
7. Enlevez la plaque de montage du dessus de la table.

REMARQUE : Il pourrait s'avérer nécessaire d'apporter quelques petits ajustements une fois terminée l'installation finale de la plaque de montage de la toupie.

FIG. 7A

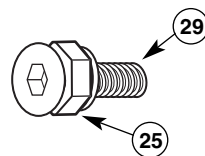


FIG. 7B

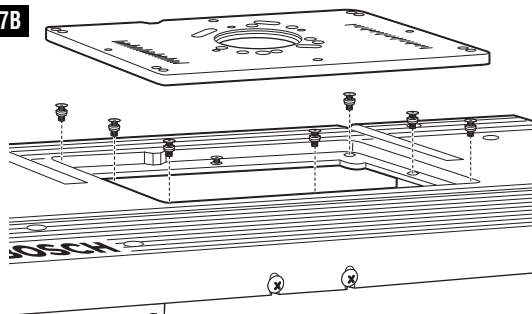
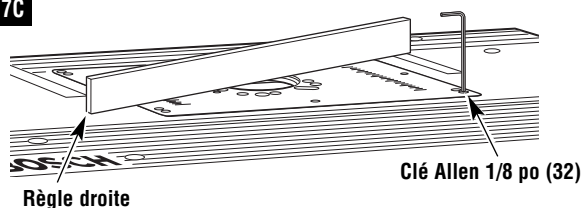


FIG. 7C



Assemblage de la table à toupie



AVANT D'UTILISER VOTRE TABLE À TOUPIE, CONSULTEZ VOTRE MANUEL DU PROPRIÉTAIRE DE TOUPIE POUR VOIR LE FONCTIONNEMENT.

CHOIX DU SCHÉMA DE TROUS DE LA TOUPIE

DÉTERMINEZ LA MÉTHODE DE MONTAGE À UTILISER (VOIR LE TABLEAU À LA PAGE 45)

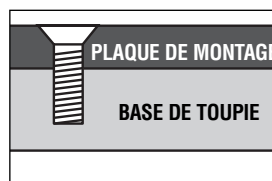
Si le modèle de votre toupie figure dans le tableau de la page 45, passez à l'étape 1 ci-dessous.

S'il ne figure PAS, vous devez acheter une plaque d'adaptation de toupie BOSCH RA1186, en vente séparément.

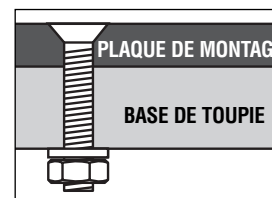
Si le modèle de votre toupie figure sur la liste :

1. Trouvez le schéma de trous qui correspond au schéma de trous de montage de votre toupie.
2. Trouvez les fixations dont vous aurez besoin pour fixer la toupie à la plaque d'adaptation de toupie.
3. Trouvez le type de support (1 ou 2) qui est utilisée pour votre modèle de toupie.

TYPE DE SUPPORT 1

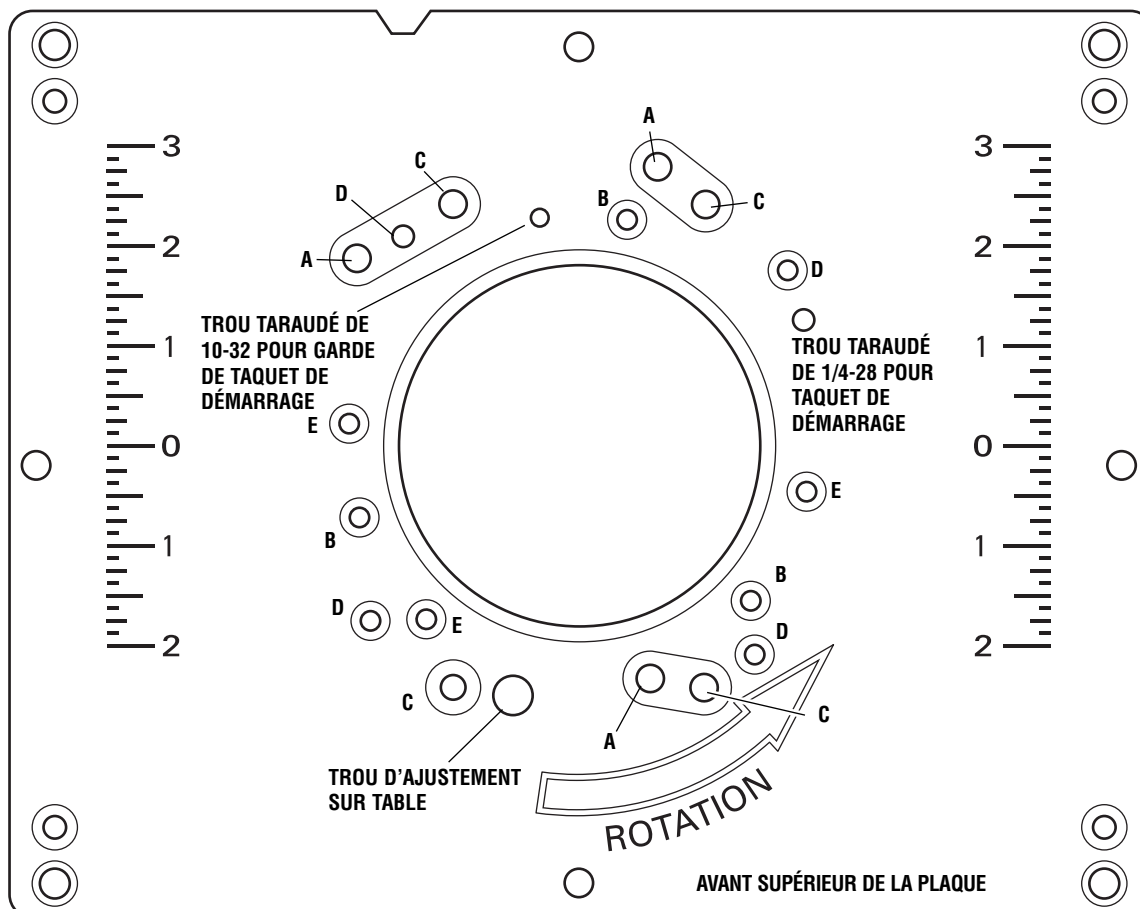


TYPE DE SUPPORT 2



GUIDE DE PLAQUE DE MONTAGE POUR TOUPIES COMPATIBLES (Fig. 8)

FIG. 8



Assemblage de la table à toupie

TABEAU 1

Marque de toupie	Modèle de toupie	Schéma de trous	Fixations requises	Type de montage
Bosch	série 1613	A	Vis à métaux Phillips 1/4-20 x 1½ po (36), rondelles (27), et écrous 1/4-20 (26)	2
Bosch	série 1617 (bases fixes uniquement)	B	Vis à métaux Phillips 10-24 x 3/4 po (37)	1
Bosch	1619EVS	C	Vis à métaux Phillips 1/4-20 x 1½ po (36), rondelles (27), et écrous 1/4-20 (26)	2
Craftsman	Plupart de toupies Craftsman avec de 1/2 po	E	Vis à métaux Phillips 5/16-18 x 3/4 po (39)	1
DeWalt	DW616, DW618 (base fixe uniquement)	B	Vis à métaux Phillips 8-32 x 3/4 po (38)	1
Hitachi	M12VC	B	Vis à métaux Phillips 10-32 x 3/4 po (35)	1
Makita	RF1100, RF1101	B	Vis à métaux Phillips 10-24 x 3/4 po (37)	1
Milwaukee	5615, 5616	B	Vis à métaux Phillips 10-24 x 3/4 po (37)	1
Porter Cable	série 690, 7529 toupie de défonçage, et séries 892-895 (base fixe uniquement)	B	Vis à métaux Phillips 10-24 x 3/4 po (37)	1
Ryobi	R161, R162	E	Vis à métaux Phillips 5/16-18 x 3/4 po (39)	1

FIXATION DE LA TOUPIE À LA PLAQUE DE MONTAGE (Figs. 9 et 10)

1. Enlevez la sous-base en matière plastique de votre toupie (Fig. 9).
2. Si votre toupie a sa propre hotte d'extraction de la poussière qui va en haut de la base de toupie en métal et si vous voulez l'utiliser sous la table de toupie, c'est le moment de l'installer.
3. Dans le tableau 1, trouvez la quincaillerie et le type de montage pour votre toupie
 - Pour la plupart des modèles de toupies, les vis passent dans les trous taraudés de la base de toupie (montage de type 1).
 - Pour certains modèles, les vis passent complètement à travers la base et sont fixées au moyen de rondelles et d'écrous (montage de type 2).

L'avant et l'arrière de la plaque de montage sont déterminés par l'emplacement des trous de taquets du guide. Ces trous se trouvent à droite de l'ouverture de l'arête tranchante.

4. Consultez le guide de plaque de montage (Fig. 8) à la page 44 et alignez les bons trous de plaque de montage pour votre toupie aux trous de la base de toupie. Assurez-vous que les contrôles d'ajustement de profondeur sur la toupie soient face à l'avant de la plaque de montage.
5. Montez votre toupie à la plaque de montage (Fig. 10).

FIG. 9

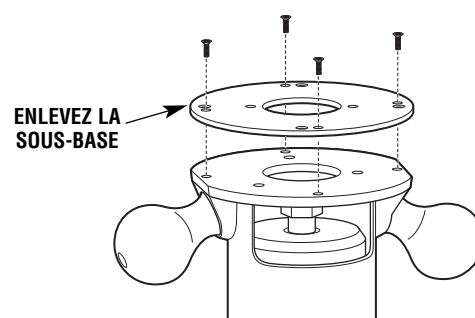
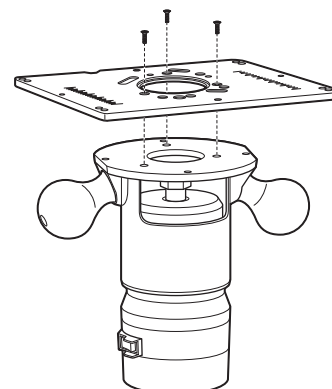


FIG. 10



Assemblage de la table à toupie

FIXATION DE LA PLAQUE DE MONTAGE DE LA TOUPIE (Fig. 11)

1. Placez la plaque de montage de la toupie, avec la toupie attachée, aux vis de mise à niveau du haut de la plaque.
REMARQUE : Faites attention de ne pas coincer le cordon entre la plaque de montage de la toupie et le haut de la table de toupie.
2. Vérifiez à nouveau la plaque de montage de la toupie afin de vous assurer qu'elle est bien horizontale. Si nécessaire, desserrez les écrous de blocage et ajustez les vis de mise à niveau à l'aide de la clé Allen le cas échéant. Quand la plaque de montage de la toupie est horizontale, resserrez les vis de calage.
3. Fixez la plaque de montage de la toupie (3) à la table à l'aide de quatre vis à métaux Phillips à tête ronde n° 10-32 x 1 po (28) et écrous de blocage ESNA n° 10-32 (25) (Fig. 11) en passant par les trous de coin intérieure de la plaque. Resserrez les vis en serrant, mais pas trop.

POUR ENLEVER LA TOUPIE ET (OU) LA PLAQUE DE MONTAGE DE LA TOUPIE

Pour enlever la toupie de la plaque de montage, vous devez d'abord enlever la plaque de montage de la table à toupie.

VOUS DEVEZ ENLEVER LE GUIDE DE LA TABLE A TOUPIE LORSQUE VOUS ENLEVEZ OU REINSTALLEZ LA PLAQUE DE MONTAGE.

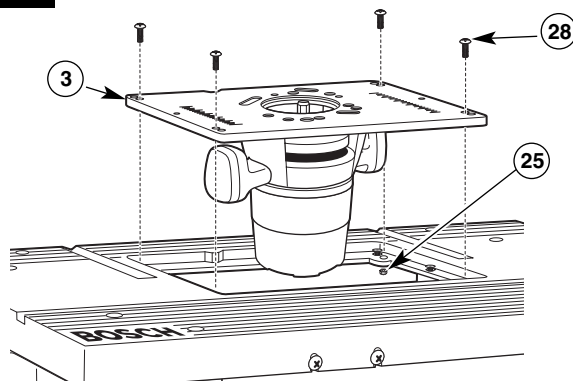
AJUSTEMENT DE HAUTEUR SUR LA TABLE

La plaque d'adaptation de toupie possède un trou d'accès qui permet de l'utiliser avec la caractéristique d'ajustement de hauteur sur la table sur les toupies Bosch série 1617. Consultez votre manuel de toupie pour des renseignements additionnels pour utiliser cette caractéristique.

Pour les toupies Porter Cable 892 et 895, et Milwaukee Modèles 5615 et 5616, il est nécessaire de trouser un trou d'accès pour pouvoir faire des ajustements de hauteur sur la table :

1. Enlevez la sous-base de la toupie et alignez les trous de montage de la sous-base aux trous de montage correspondants de la plaque de l'adaptateur. Assurez-vous d'orienter la sous-base de manière à ce que l'interrupteur de la toupie se trouve orienté vers l'avant de la table.

FIG. 11



⚠ MISE EN GARDE

Assurez-vous que la toupie n'est PAS branchée sur une prise électrique lors de l'installation sur la table, le démontage de la table, les réglages ou les changements d'accessoire. La toupie pourrait démarrer accidentellement.

1. Desserrez les quatre vis à métaux Phillips à tête ronde n° 10-32 x 1 po (28) qui maintiennent la plaque de montage au dessus de la table.
2. Soulevez la plaque de montage et la toupie vers le haut pour les dégager du dessus de la table.
3. Enlevez les vis à métaux fraisées qui fixent la toupie à la plaque de montage.
4. Lorsque vous réinstallez la plaque de montage de la toupie, vérifiez le nivellement de la plaque avec la table. Si nécessaire, faites les petits ajustements comme décrit ci-dessus.

2. En utilisant un crayon ou un pointeau, marquez l'emplacement du trou d'ajustement de hauteur sur la table sur la plaque de l'adaptateur de la toupie.
3. Enlevez la sous-base de la plaque de l'adaptateur et faites soigneusement le trou d'ajustement de la hauteur.
4. Assurez-vous que le trou convienne à l'outil d'ajustement de la hauteur pour votre toupie. Enlevez toute bavure ou arête coupante avec du papier de verre.

Assemblage de la table à toupie

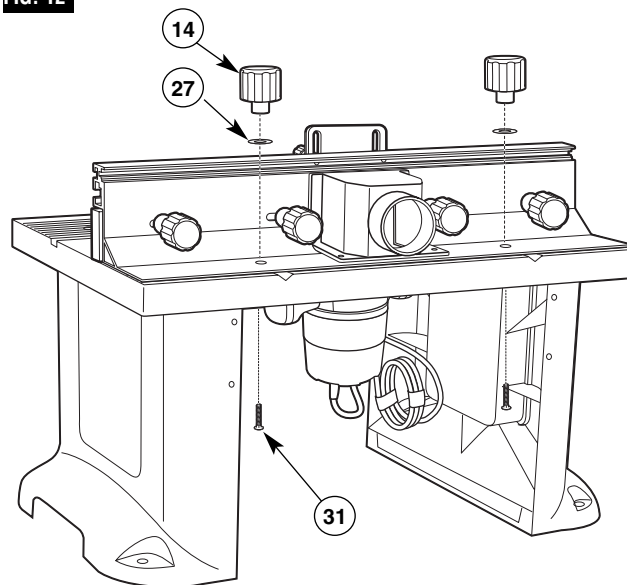
INSTALLATION DU GUIDE

FIXEZ LE GUIDE À LA TABLE (Fig. 12)

1. Par-dessous, insérez deux boulons de carrosserie 1/4-20 x 1 1/2 po (31) à travers les deux trous dans le guide et fixez-les avec une grande rondelle (27) et un gros bouton de serrage (14) sur chacun.
2. Faites glisser l'ensemble du guide et assurez-vous qu'elle glisse librement du devant à l'arrière.

REMARQUE : utilisez les graduations sur le dessus de la table comme guide pour aligner le guide pour les manœuvres de toupillage. Une fois que le guide est en position et correctement aligné, serrez les boutons de serrage À FOND.

FIG. 12



Assemblage de la table à toupie

FIXER LA TABLE À TOUPIE À UNE SURFACE DE TRAVAIL OU À UN ÉTABLI



Avant la mise en marche, assurez-vous que l'ensemble de l'appareillage (la table sur laquelle a été installée la toupie) est placé sur, et attaché à, une surface solide, plane et de niveau, et qu'il ne peut pas basculer. L'utilisation de supports auxiliaires d'entrée et de sortie est nécessaire pour les pièces longues ou larges. Les pièces longues qui n'ont pas de support adéquat peuvent tomber de la table ou la faire basculer.

OUTILS REQUIS (NON COMPRIS)

- Tournevis Phillips
- Petite clé réglable
- Perceuse à main ou électrique avec mèches (suivant la méthode d'assemblage utilisée)
- Attaches (non comprises) :
 - Quatre vis à bois à tête cylindrique n°14, n°16 ou n°18 de 2 po (pour les surfaces de travail ou les établis en bois massif) ou
 - Quatre vis à métaux à tête cylindrique de 5/16 po, rondelles et écrous hexagonaux, ou
 - Serre-joints

Vous pouvez également utiliser le support de table à toupie Bosch RA1190, qui est en vente en option chez votre détaillant Bosch.

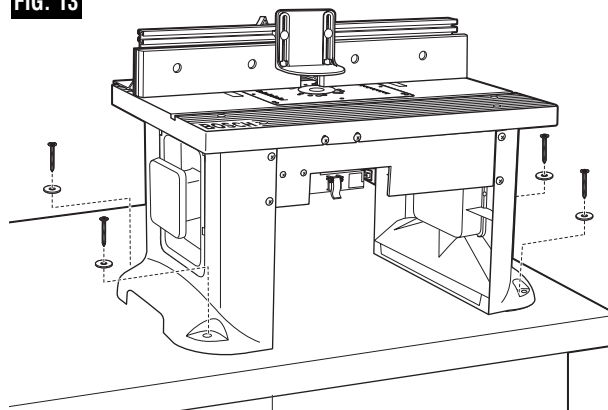
Caractéristiques du support de table à toupie Bosch RA1190 :

- Met la table à sa hauteur de travail optimale.
- Possède des pieds ajustables antidérapants pour avoir la table bien horizontale sur des sols inégaux.
- Possède deux étagères en acier industriel pour le rangement.

MÉTHODE 1 (FIG. 13)

1. Placez la table à toupie sur un établi ou toute autre surface stable et solide, l'AVANT (côté interrupteur) face à vous.
2. Tout en maintenant la table à toupie dans la position voulue, marquez l'emplacement des quatre trous de montage (un à chaque coin).
3. Enlevez la table à toupie de l'établi et mettez-la de côté.
4. Percez un avant-trou de 1/8 po (pour les vis à bois) ou un trou de dimension appropriée (pour les vis à métaux) aux emplacements marqués.
5. Placez la table à toupie sur l'établi et alignez les trous de montage des pattes de la table à toupie aux trous percés dans l'établi.
6. Fixez solidement en place la table à toupie à l'aide des vis à bois (non comprises) ou des vis à métaux, rondelles et écrous (non compris). Si vous utilisez des vis à bois, appliquer un peu de savon aux filets de vis facilitera le filetage des vis dans les avant-trous.
7. SERREZ FERMEMENT toutes les vis.

FIG. 13

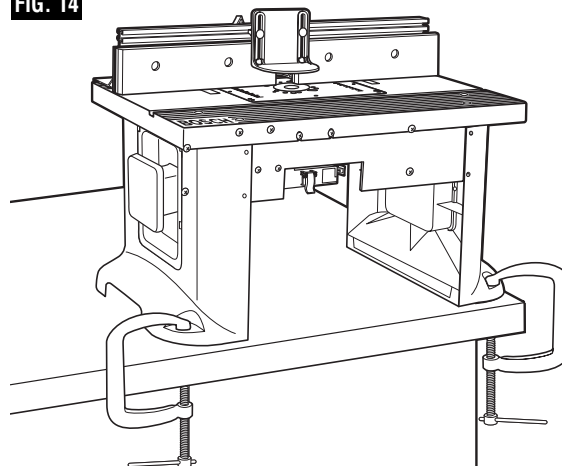


Assemblage de la table à toupie

MÉTHODE 2 (FIG. 14)

1. Placez la table à toupie sur un établi ou toute autre surface stable et solide, l'AVANT (côté interrupteur) face à vous.
2. Fixez les pattes de la table à toupie à l'établi avec des serre-joints, en vous assurant de les serrer FERMEMENT.
IMPORTANT : Soyez sûr que l'emplacement des serre-joints ne nuira pas au fonctionnement de la table à toupie.

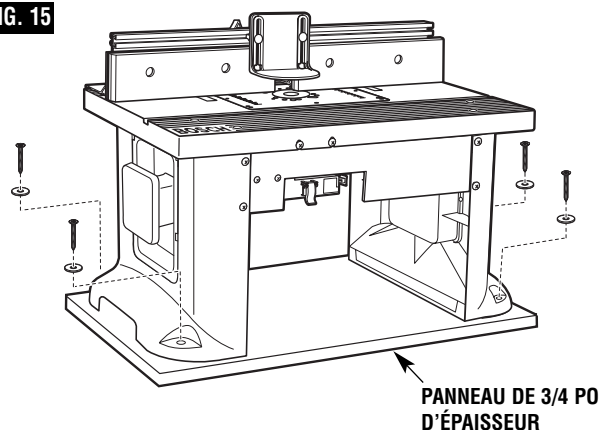
FIG. 14



AUTRE MÉTHODE (FIG. 15)

1. Découpez un panneau de 18¼ po de large par 29 po de long dans un morceau de bois ou en tout autre matériau plat de 3/4 po d'épaisseur.
2. Placez la table à toupie sur ce panneau, l'AVANT (côté interrupteur) face à vous, de sorte que l'espace entre les pattes de la table à toupie et les bords du panneau soit égal de tous les côtés.
3. Tout en maintenant la table à toupie dans la position voulue, marquez l'emplacement des quatre trous de montage (un à chaque coin).
4. Enlevez la table à toupie du panneau et mettez-la de côté.
5. Percez un avant-trou de 1/8 po (pour les vis à bois) aux emplacements marqués.
6. Placez la table à toupie sur le panneau et alignez les trous de montage des pattes de la table à toupie aux trous percés dans le panneau.
7. Fixez solidement en place la table à toupie à l'aide des vis à bois (non comprises). Appliquez un peu de savon aux filets de vis facilitera le filetage des vis dans les avant-trous.
8. SERREZ FERMEMENT toutes les vis.
9. Placez la table à toupie sur un établi ou toute autre surface stable et solide. Fixez solidement le panneau à l'établi au moyen de vis, de serre-joints ou d'autres attaches appropriées.

FIG. 15



Assemblage de la table à toupie



MISE EN GARDE

ASSUREZ-VOUS TOUJOURS QUE LA TOUPIE EST À L'ARRÊT ET QUE LE CORDON DE RALLONGE EST DÉBRANCHÉ AVANT D'EFFECTUER TOUT RÉGLAGE.

BAGUES DU DESSUS DE LA TABLE (FIG. 16)

Cette table à toupie comprend trois bagues du dessus de la table ayant des trous dont les diamètres intérieurs sont les suivants :

- 1 po de diamètre (3) pour utiliser avec les fraises ayant jusqu'à 7/8 po de diamètre
- 2 po de diamètre (4) pour utiliser avec les fraises ayant jusqu'à 1 7/8 po de diamètre
- 2 3/4 po de diamètre (5) pour utiliser avec les fraises ayant jusqu'à 2 5/8 po de diamètre

On n'utilise aucune bague pour les fraises dont le diamètre varie de plus que 2 5/8 po jusqu'à 3 1/2 po.



MISE EN GARDE

N'utilisez pas cette table à toupie avec des fraises de plus de 3 1/2 po de diamètre!

INSTALLEZ LES BAGUES DU DESSUS DE LA TABLE (FIG. 16) :

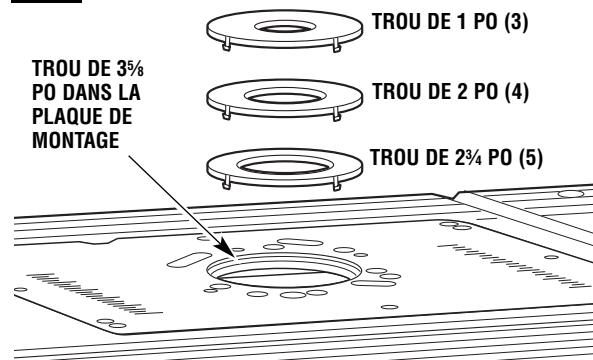
1. Choisissez la bague du dessus de la table qui convient le mieux à la fraise de toupie que vous allez utiliser.
2. Pressez la bague dans le grand trou de la plaque d'adaptation de la toupie (Fig. 16). Si le guide gêne, desserrez les boutons de serrage du guide et glissez le guide à l'arrière de la table.
3. Pressez uniformément au-dessus des languettes jusqu'à ce que la bague se bloque en place.
4. Pour enlever, tirez doucement jusqu'à ce que les taquets sortent. Quand vous ne l'utilisez pas, rangez les bagues du dessus de la table derrière le panneau de rangement dans le pied de la table ou dans tout autre endroit pratique.



MISE EN GARDE

N'ESSAYEZ PAS D'ENLEVER LES BAGUES DU DESSUS DE LA TABLE QUAND LA TOUPIE EST BRANCHÉE.

FIG. 16



Fonctionnement de la table à toupie

MODE D'EMPLOI DE L'INTERRUPTEUR

SÉCURITÉ ÉLECTRIQUE

Vous devez utiliser un cordon rallonge trifilaire de calibre no 14 (ou supérieur) muni d'une prise avec terre à trois trous et d'une fiche de mise à la terre à trois broches pour raccorder l'interrupteur à la prise d'alimentation.

N'UTILISEZ PAS LES CORDONS RALLONGES ENDOMMAGÉS OU USÉS ET REMPLACEZ-LES IMMÉDIATEMENT.

Vous pourrez raccorder un cordon rallonge à double isolation à deux ou à trois trous au cordon d'alimentation situé à l'arrière de l'interrupteur.

Les prises électriques situées à l'arrière de l'interrupteur pourront recevoir les fiches à deux ou trois broches de la toupie ou de l'accessoire.

Dans le cas d'un dysfonctionnement ou d'une décharge disruptive, la mise à la terre assure un trajet de résistance moindre du courant électrique de façon à réduire le risque de choc électrique. La présente boîte de commutation est équipée d'un cordon d'alimentation qui comprend un connecteur de protection et une fiche de mise à la terre.

Le cordon d'alimentation doit être branché sur une prise correspondante **qui a été installée et reliée à la terre par un électricien qualifié conformément à tous les codes et règlements régionaux.**


NE modifiez **PAS** la fiche de l'interrupteur si elle ne peut pas se raccorder au cordon d'alimentation. Procurez-vous plutôt un cordon rallonge muni d'une prise appropriée.


Un raccordement non conforme du conducteur de protection peut entraîner un risque de choc électrique. Le conducteur à isolation dont la surface est verte avec ou sans rayures jaunes désigne le conducteur de protection.


NE BRANCHEZ PAS LE CONDUCTEUR DE PROTECTION À UNE BORNE SOUS TENSION.

Vérifiez auprès d'un électricien qualifié si vous ne saisissez pas parfaitement le mode d'emploi de mise à la terre ou si vous doutez de la prise d'alimentation ou de l'état de la mise à la terre du cordon rallonge.

 **MISE EN GARDE** NE TOUCHEZ PAS AUX BORNES DE LA FICHE LORSQUE VOUS LA BRANCHEZ OU LA RETIREZ DE LA PRISE D'ALIMENTATION.

 **MISE EN GARDE** SI LA MISE À LA TERRE N'EST PAS CONFORME, UN OUTIL ÉLECTRIQUE PEUT PRÉSENTER DE FORTS RISQUES DE CHOC ÉLECTRIQUE QUI CAUSERA DE GRAVES BLESSURES CORPORELLES, VOIRE MORTELLES, surtout si vous l'utilisez dans un endroit humide, à proximité de la plomberie ou à l'extérieur. Des risques d'accident secondaire peuvent toujours survenir à la suite d'un choc électrique, notamment si vos mains sont en contact avec la fraise ou, encore, si vous tombez à terre ou sur un objet.

 **MISE EN GARDE** UTILISEZ LA BOÎTE DE COMMUTATION QUE SI ELLE EST CORRECTEMENT FIXÉE À LA TABLE À TOUPIE. EMPLOYEZ-LA UNIQUEMENT AVEC UNE TOUPIE CORRECTEMENT INSTALLÉE SUR UNE TABLE À TOUPIE ASSEMBLÉE SELON LES RÈGLES.

 **MISE EN GARDE** L'INTERRUPTEUR A UN CALIBRE DE 15 AMPÈRES. NE DÉPASSEZ PAS UN TOTAL DE 15 AMPÈRES LORSQUE VOUS BRANCHEZ LA TOUPIE ET TOUT AUTRE ACCESSOIRE COMME UNE LUMIÈRE OU UN ASPIRATEUR POUR DÉCHETS SECS ET HUMIDES.

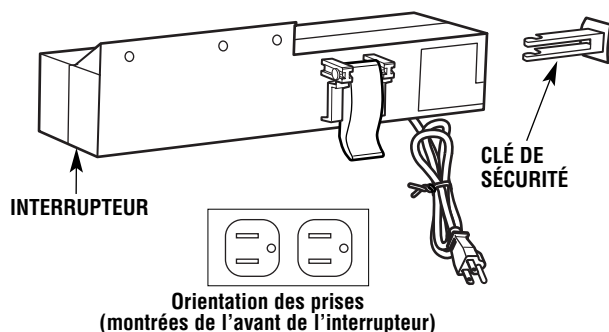
Fonctionnement de la table à toupie

RENSEIGNEMENTS GÉNÉRAUX

L'interrupteur est conçu pour être utilisé avec la plupart des tables à toupie de BOSCH. Placé à la portée de la main, l'interrupteur MARCHE (REMISE EN MARCHE)-ARRÊT est situé sur le devant de la table, vous éviterez ainsi de le chercher sous la table pour mettre la toupie en MARCHE ou pour l'ARRÊTER.

L'interrupteur est également muni d'un contrôle simultané MARCHE-ARRÊT facultatif pour un accessoire additionnel, par exemple une lumière ou un aspirateur eaux et poussières. L'interrupteur comprend un disjoncteur réenclencheur interne pour vous protéger contre les surcharges.

FIG. 17



RACCORDEMENT DU CORDON D'ALIMENTATION DE LA TOUPIE À L'INTERRUPTEUR

⚠ MISE EN GARDE

- ASSUREZ-VOUS, À CE MOMENT-CI, QUE LE CORDON D'ALIMENTATION DE L'INTERRUPTEUR EST DÉBRANCHÉ DE TOUTE PRISE ÉLECTRIQUE, SINON DÉBRANCHEZ-LE.
- ASSUREZ-VOUS QUE L'INTERRUPTEUR DE LA TOUPIE EST À LA POSITION ARRÊT.

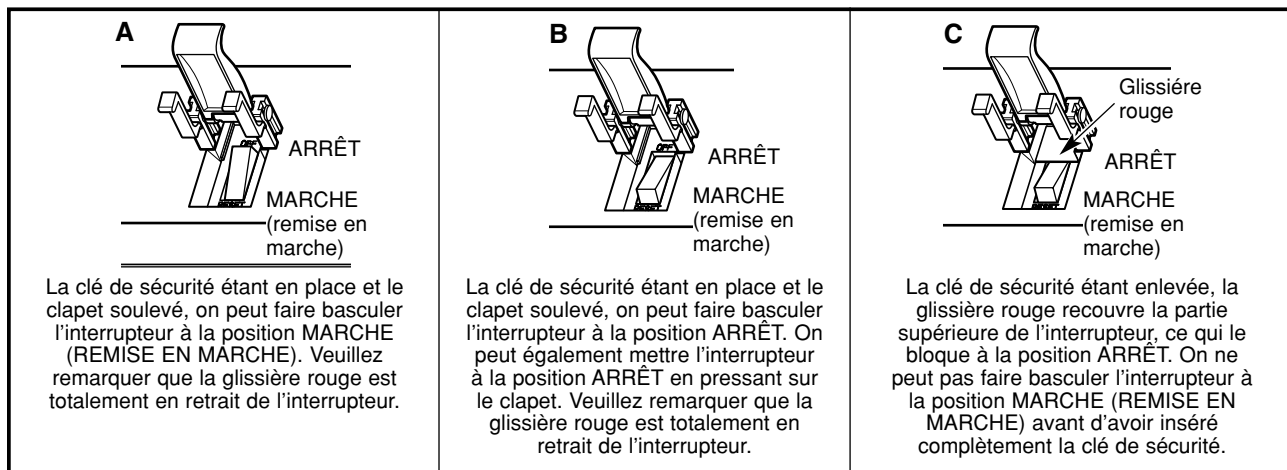
1. Branchez le cordon d'alimentation de la toupie sur l'une des prises électriques situées à l'arrière de l'interrupteur.
2. Embobinez le cordon d'alimentation superflu.
3. Enroulez deux morceaux de ruban isolant ou deux serre-cables autour du cordon embobiné, à deux endroits opposés.
4. Laissez un peu de jeu pour que le cordon ne soit pas trop tendu une fois qu'il sera branché sur les prises de la boîte de commutation.
5. Si vous le souhaitez, branchez alors le cordon d'alimentation d'un accessoire comme un aspirateur à eaux/poussières dans l'autre prise au dos du boîtier de l'interrupteur.

⚠ MISE EN GARDE

ASSUREZ-VOUS QUE LES CORDONS D'ALIMENTATION DE LA TOUPIE, DES ACCESSOIRES, DE L'INTERRUPTEUR ET DU CORDON RALLONGE NE SONT PAS, NI NE PEUVENT ÊTRE, EN CONTACT AVEC LA TOUPIE OU TOUTE AUTRE PARTIE MOBILE DE CELLE-CI.

- Cet interrupteur est calibré à 15 ampères et n'est destiné qu'à mettre EN MARCHE et à ARRÊTER la toupie et les accessoires branchés comme un aspirateur à déchets secs ou humides.

Fonctionnement de la table à toupie



FONCTIONNEMENT DE L'INTERRUPTEUR

La présente section explique le fonctionnement et les caractéristiques de l'interrupteur avant le raccordement du cordon d'alimentation à un cordon de rallonge. Elle vise donc à habituer l'utilisateur sans nécessairement mettre la toupie en MARCHE.

L'interrupteur comporte deux caractéristiques positives qui préviennent la mise en MARCHE par mégarde de la toupie et les risques probables à la suite de l'utilisation non autorisée par autrui :

- il y a un clapet transparent au-dessus de l'interrupteur afin d'éviter la mise en MARCHE accidentelle de la toupie. Ce clapet vous permet de voir une petite lumière rouge sur le bouton à bascule lorsque l'interrupteur est mis à la position MARCHE. On peut mettre rapidement l'interrupteur à la position ARRÊT en pressant sur le clapet.
- La lumière est allumée si l'interrupteur est à la position MARCHE.
- La lumière est éteinte si l'interrupteur est à la position ARRÊT.
- La clé de sécurité doit être **complètement** insérée dans le côté de l'interrupteur avant que l'interrupteur puisse être mis à la position MARCHE.

Pour faire fonctionner l'interrupteur :

ASSUREZ-VOUS QUE LE CORDON D'ALIMENTATION EST DÉBRANCHÉ DE LA PRISE ÉLECTRIQUE AVANT DE POURSUIVRE.

1. Insérez la clé de sécurité dans le côté de la boîte de commutation. Voir la figure 17 à la page 52.
2. Pour mettre la toupie en MARCHE, soulevez le clapet de l'interrupteur et basculez le bouton à la position MARCHE (REMISE EN MARCHE). Voir A ci-dessus.

Abaissez doucement le clapet de l'interrupteur.

En le fermant brusquement, vous pouvez passer l'interrupteur à la position ARRÊT.

3. Pour mettre la toupie à la position ARRÊT, poussez sur le clapet de l'interrupteur. Le bouton sera à la position ARRÊT, comme illustré en B ci-dessus.

⚠ MISE EN GARDE NE LAISSEZ JAMAIS LA TOUPIE SANS SURVEILLANCE SI ELLE EST EN MARCHE OU SI ELLE N'EST PAS COMPLÈTEMENT ARRÊTÉE.

4. Pour verrouiller l'interrupteur à la position ARRÊT, poussez sur le clapet pour éteindre l'interrupteur et retirez complètement la clé de sécurité du côté de l'interrupteur. La glissière rouge couvre la partie supérieure de l'interrupteur, comme illustré en C ci-dessus.

Lorsque la clé de sécurité est retirée et que la glissière rouge couvre la partie du haut du bouton à bascule, l'interrupteur NE peut PAS être basculé à la position MARCHE.

Fonctionnement de la table à toupie



AVANT DE POURSUIVRE, ASSUREZ-VOUS QUE LES DEUX INTERRUPTEURS (CELUI DE LA TOUPIE ET CELUI DE L'INTERRUPTEUR) SONT À LA POSITION ARRÊT.

Vous pouvez maintenant raccorder le cordon d'alimentation de l'interrupteur au cordon rallonge.



ASSUREZ-VOUS QUE LES CORDONS D'ALIMENTATION DE LA TOUPIE, DES ACCESSOIRES, DE L'INTERRUPTEUR ET DES CORDONS RALLONGES NE SONT PAS, NI NE PEUVENT ÊTRE, EN CONTACT AVEC LA TOUPIE OU TOUTE AUTRE PARTIE MOBILE DE CELLE-CI.

FONCTIONNEMENT DE LA TOUPIE ET DE L'INTERRUPTEUR

La présente section explique le fonctionnement de l'interrupteur lorsque le cordon d'alimentation est raccordé au cordon rallonge.

La toupie sera en MARCHÉ si le bouton à bascule est à la position MARCHÉ (REMISE EN MARCHÉ).

1. Mettez le bouton MARCHÉ/ARRÊT de l'interrupteur de la toupie à la position MARCHÉ. Certaines toupies nécessiteront l'utilisation du déclencheur mécanique et du bouton « DÉVERROUILLAGE ». (Consultez le manuel du propriétaire de la toupie.) **Assurez-vous d'abord que l'interrupteur est à la position ARRÊT.**
2. Pour mettre la toupie en MARCHÉ, soulevez le clapet de l'interrupteur et basculez le bouton à la position MARCHÉ. Référez-vous à l'illustration A, page 53.
3. Pour arrêter la toupie, poussez sur le clapet de l'interrupteur. Référez-vous à l'illustration B, page 53.



NE LAISSEZ JAMAIS LA TOUPIE SANS SURVEILLANCE SI ELLE EST EN MARCHÉ OU SI ELLE N'EST PAS COMPLÈTEMENT ARRÊTÉE.

REMARQUE : Si une surcharge survient, le disjoncteur réenclencheur interne déclenchera l'interrupteur pour le faire passer à la position ARRÊT, coupant ainsi le courant électrique de la toupie et de tout accessoire branché à l'interrupteur même. **Le cas échéant, procédez comme suit :**

1. Débranchez le cordon d'alimentation du cordon rallonge.
2. Retirez la pièce à usiner de la table à toupie.
3. Définissez la cause de la surcharge et remédiez à la situation (p. ex., retirez le surplus de bois ou diminuez la vitesse d'avance).
4. Raccordez le cordon d'alimentation de l'interrupteur au cordon rallonge.
5. Redémarrez la toupie comme il est décrit à la section **FONCTIONNEMENT DE LA TOUPIE ET DE L'INTERRUPTEUR.**

LORSQUE VOUS N'UTILISEZ PAS LA TABLE À TOUPIE

1. Basculez l'interrupteur à la position ARRÊT.
2. Retirez la clé de sécurité.
3. **Rangez la clé de sécurité dans un endroit sécuritaire hors de la portée des enfants ou d'autres personnes non autorisées.**
4. Débranchez le cordon d'alimentation de l'interrupteur du cordon rallonge.
5. Retirez la fraise de la toupie.
6. Placez l'assemblage du mandrin à pince de la toupie sous la table à toupie.

REMARQUE : S'il advenait que la clé soit perdue ou abîmée, des clés de remplacement sont en vente chez le vendeur de BOSCH de votre région.

Fonctionnement de la table à toupie

INSTALLER UN ASPIRATEUR AVALE-TOUT

INSTALLATION D'UN ASPIRATEUR AVALE-TOUT AU PORT D'ASPIRATEUR

L'assemblage protecteur/port pour aspirateur permet de brancher un tuyau d'aspirateur avale-tout pourvu d'une lance de boyaux de 2½ po. Pour attacher, poussez la lance dans le port tout en maintenant la cloison en place.



Faire fonctionner la table à toupie sans utiliser un aspirateur avale-tout peut entraîner une accumulation de bran de scie et de copeaux ou un amas excessif sous l'assemblage de la cloison et l'arceau protecteur. Cela peut entraver le rendement de la table à toupie et l'assemblage de la cloison.

RECOMMANDATION : Pour maximiser le rendement, peu importe que vous utilisiez un aspirateur avale-tout ou pas, prenez soin d'enlever le bran de scie et les copeaux sous l'assemblage de la cloison et sous l'arceau protecteur, au besoin.

RECOMMANDATION : Gardez toujours la surface de travail propre. Au besoin, enlevez toute accumulation de bran de scie et de copeaux du dessus de la table à toupie, ainsi qu'autour de la surface de travail et sur le plancher.



NE PLACEZ PAS LES MAINS DANS LA ZONE DE LA LAME LORSQUE LA DÉFONCEUSE EST BRANCHÉE !

INSTALLATION DE LA FRAISE



ASSUREZ-VOUS TOUJOURS QUE LA TOUPIE EST MISE HORS TENSION ET QUE LE CORDON D'ALIMENTATION EST DÉBRANCHÉ AVANT D'EFFECTUER TOUT RÉGLAGE.

Installez la mèche de toupie conformément aux instructions comprises avec votre toupie. À cause des nombreuses variantes de fraises de toupie, certaines d'entre elles peuvent ne pas toujours fonctionner comme vous le voulez avec la présente table à toupie.

Pour vous assurer que les fraises courantes fonctionneront de façon satisfaisante, installez la fraise de manière à ce que le mandrin à pince de la toupie recouvre 3/4 po de la queue de la fraise. Si la queue de la fraise est au point le plus bas dans le mandrin à pince, faites-la sortir d'environ 1/16 po pour permettre un serrement adéquat.

NE FIXEZ JAMAIS LES FRAISES EN LAISSANT MOINS DE 3/4 PO DE LA QUEUE INTRODUITE DANS LE MANDRIN À PINCE.

Fonctionnement de la table à toupie

ASSEMBLAGE DES GUIDES BISEAUTÉS (Figs. 18–20)

REMARQUE : le haut et l'avant de chaque guide à biseaute est marqué pour indiquer la bonne direction d'alimentation.

Guide biseauté du guide (Figs. 18 et 19)

1. Insérez deux boulons de carrosserie 1/4-20 x 1½ po (31) dans les fentes du guide biseauté (19). Voir la Fig. 18.
2. Faites glisser une grande rondelle (27) dans chaque boulon de carrosserie et vissez un petit boulon d'assemblage (17) en lui faisant faire trois ou quatre tours, dans chaque boulon de carrosserie.
3. Pour installer sur le guide, insérez une bague d'espacement (16) sur la tête de chaque boulon de carrosserie, en alignant les taquets de la bague d'espacement à la fente du guide biseauté (Fig. 19). Faites ensuite glisser les têtes de boulons de carrosserie dans la fente en T en haut du guide.

Guide biseauté de la table (Fig. 20)

1. Insérez deux boulons de carrosserie 1/4-20 x 1½ po (31) dans les fentes du guide biseauté (19).
2. Faites glisser une grande rondelle (27) dans chaque boulon de carrosserie et vissez un petit boulon d'assemblage (17) en lui faisant faire trois ou quatre tours, dans chaque boulon de carrosserie.
3. Pour installer le guide biseauté dans la fente de guide d'onglets sur la table, insérez les têtes des boulons de carrosserie dans la paire choisie de fentes en forme de clés sur la table (situées dans la fente du guide d'onglets). Resserrez ensuite fort les boutons de blocage.

FIG. 18

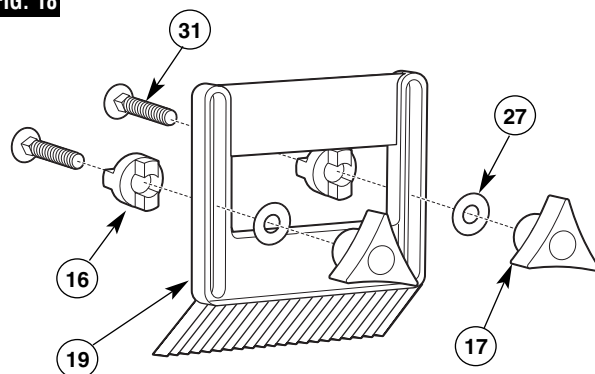


FIG. 19

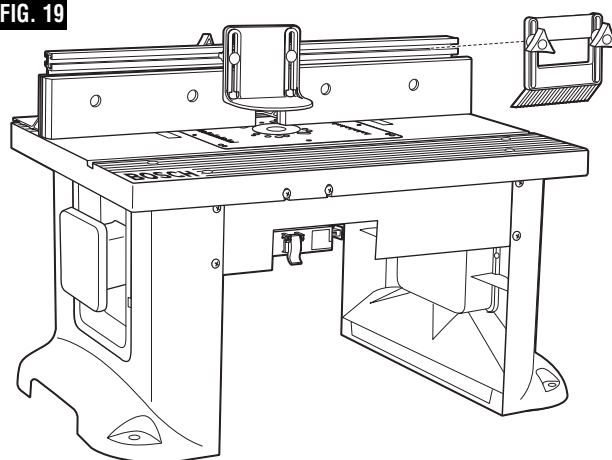
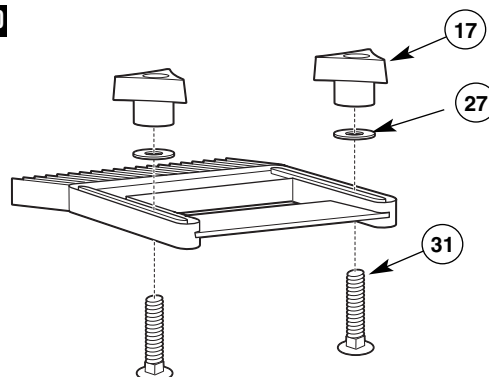


FIG. 20



Fonctionnement de la table à toupie

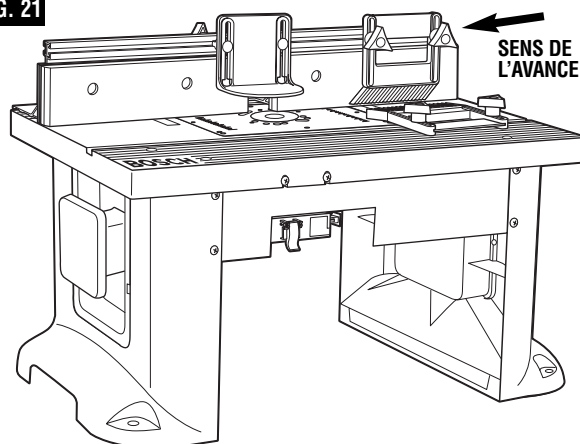
TOUPILLAGE À L'AIDE DES GUIDES BISEAUTÉS (Fig. 21)

Les guides biseautés sont très utiles pour contrôler la pièces à toupiller et aident à conserver la pièce à plat sur l'établi. Le guide biseauté de la table, combiné au guide biseauté du guide, aide à conserver la pièce à toupiller pressée contre la garde et la table. Le meilleur emplacement pour les guides biseautés varie selon votre application, la taille de la pièce à toupiller et d'autres facteurs.

1. Installez le guide biseauté sans serrer comme l'indique la page 56.
2. Placez la pièce à toupiller sur la table à toupie de manière à ce qu'elle soit carrément contre la garde.
3. Placez les guides biseautés contre la pièce à toupiller et serrez les boutons de serrage.
4. La pièce à toupiller devrait bouger avec une certaine résistance mais sans nécessiter un grand effort.
5. Pour des pièces à toupilles plus grandes, vous ne pouvez pas utiliser le guide à languettes de table à toupie. Vous pouvez mettre le second guide à languettes contre la garde, le cas échéant.

Vous pouvez acheter d'autres guides biseautés modèle RA1187 chez votre détaillant Bosch.

FIG. 21



⚠ MISE EN GARDE

- Les guides biseautés sont des auxiliaires pour aider à maintenir la pièce à travailler en position lors du toupillage sur une table à toupie.
- Ils ne sont PAS conçus pour tenir à elles seules la pièce à travailler lorsque celle-ci entre en contact avec la fraise ou à tout autre moment lorsque la fraise tourne.
- Ne lâchez JAMAIS la pièce à travailler pendant le toupillage lorsque vous utilisez un guide biseauté avant que la coupe soit terminée et que la pièce à travailler soit complètement dégagée de la fraise.

⚠ MISE EN GARDE

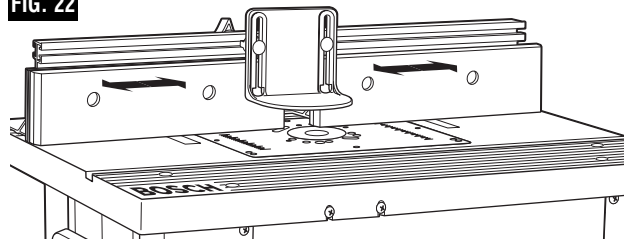
POUR UN TOUPILLAGE DE PRÉCISION ET UN MEILLEUR CONTRÔLE, IL FAUT TENIR LA PIÈCE À TRAVAILLER CONTRE LE GUIDE DE LA TABLE À TOUPIE

RÉGLAGE DU PAREMENT DU GUIDE (FIG. 22)

Les parements de gauche et de droite du guide sont fixés à la face frontale du guide de la table à toupie et ils peuvent être réglés vers l'intérieur ou l'extérieur par rapport à la fraise de la toupie afin d'obtenir le jeu qui convient pour les différentes tailles de fraise. Afin de bénéficier du meilleur soutien possible durant les manœuvres de toupillage, les parements du guide devraient être aussi près que possible de la fraise sans entrer en contact avec elle (la distance optimale est normalement ca. 1/4 po de la fraise).

1. Desserrez les deux boutons de serrage au dos des parements du guide et faites glisser les parements vers l'intérieur ou l'extérieur par rapport à la fraise de la toupie selon le besoin.

FIG. 22



⚠ MISE EN GARDE

ASSUREZ-VOUS TOUJOURS QUE LE GUIDE, LES PAREMENTS DU GUIDE ET LE GARDE NE PEUVENT PAS ENTRER EN CONTACT AVEC LA FRAISE DE LA TOUPIE. SINON, CELA PEUT CAUSER DES DOMMAGES À LA TABLE DE LA TOUPIE ET VOUS POUVEZ VOUS BLESSER.

2. Une fois que les parements du guide sont à la position désirée, serrez les boutons de serrage À FOND.

Fonctionnement de la table à toupie

RÉGLAGE DE LA PROFONDEUR ET DE LA HAUTEUR DE LA COUPE (Fig. 23)

1. Choisissez une planche qui est lisse et droite, avec des bords bien carrés.
2. Marquez les lignes A et B au bout de la planche, comme illustré au détail 23.
 - La ligne A indique la *hauteur de coupe* souhaitée.
 - La ligne B indique la *profondeur de coupe* souhaitée.
 - La zone délimitée par A et B et le bord de la planche est la zone qui sera découpée.
3. Si la profondeur de coupe souhaitée peut être découpée en une seule passe, desserrez les boutons de serrage du guide et avancez ou reculez celui-ci jusqu'à ce que le bord de coupe le plus externe de la fraise de la toupie soit aligné avec la ligne B. Vous devrez peut-être repositionner le garde afin d'avoir un libre accès.

REMARQUE : pour les coupes plus profondes, N'essayez PAS d'effectuer la coupe en une seule passe. Effectuez plusieurs coupes moins profondes, en avançant progressivement le guide vers l'arrière jusqu'à ce que vous atteigniez la profondeur de coupe souhaitée.

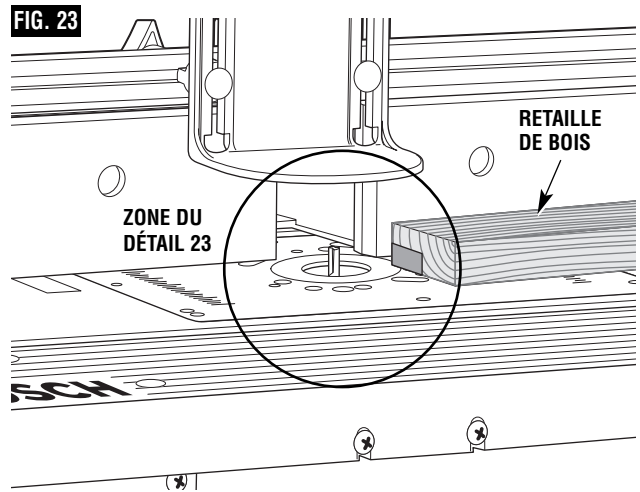
4. Utilisez les échelles sur le dessus de la table pour aligner le guide, puis serrez À FOND les deux boutons de serrage du guide.



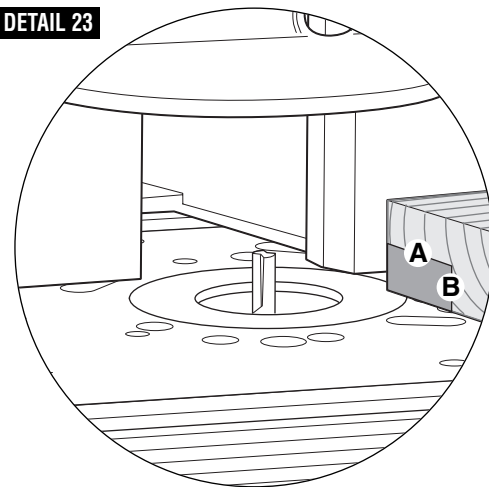
ASSUREZ-VOUS TOUJOURS QUE LE GUIDE ET LE GARDE NE PEUVENT ENTRER EN CONTACT AVEC LA FRAISE DE LA TOUPIE. SINON, CELA PEUT CAUSER DES DOMMAGES À LA TABLE DE LA TOUPIE ET VOUS POUVEZ VOUS BLESSER.

5. En suivant les instructions livrées avec votre toupie, réglez la hauteur de coupe de la toupie jusqu'à ce que le haut de la fraise de la toupie soit aligné avec la ligne A.
6. Une fois que tous les réglages sont faits, vérifiez une deuxième fois afin de vous assurer que :
 - la toupie est **SOLIDEMENT** serrée dans sa base;
 - la fraise de la toupie est **SOLIDEMENT** serrée dans le collet de la toupie avec un engagement d'au moins 3/4 po dans le mandrin;
 - la base de la toupie est **SOLIDEMENT** serrée sur le dessus de la table de la toupie.
7. Retirez la planche de la table.

REMARQUE : lorsque vous effectuez des réglages, utilisez une retaille de bois pour effectuer des coupes d'essai avant de pratiquer la coupe sur la pièce à travailler véritable.



DETAIL 23



Fonctionnement de la table à toupie

COUPE EN BORD OU ASSEMBLAGE (Figs. 24 et 25)

Pour un maximum de solidité et de précision, les planches qui doivent être assemblées doivent être lisses et d'équerre. Les bords devraient être d'équerre avec les surfaces de la pièce à travailler. Vous pouvez dresser les bords en utilisant la table à toupie avec une **fraise à dents droites**.

REMARQUE : la cale d'assemblage peut être utilisée afin d'assurer un soutien continu pour la pièce à travailler au fur et à mesure qu'elle dépasse la fraise de la toupie.

MISE EN GARDE ASSUREZ-VOUS TOUJOURS QUE LA TOUPIE EST À L'ARRÊT ET QUE LE CORDON D'ALIMENTATION EST DÉBRANCHÉ AVANT D'EFFECTUER TOUT RÉGLAGE.

1. Desserrez les boutons de blocage sur le guide de gauche vous faisant face.
2. Alignez la fente de la/des cale/s d'épaisseur aux trous du guide vous faisant face et faites glisser la/les cale/s d'épaisseur entre le guide et le guide de gauche vous faisant face (Fig. 24).

Utilisez un cale pour une coupe de 1/16 po. ou deux cales pour une coupe de 1/8 po.

3. Installez une fraise à dents droites sur la toupie.
 4. Mettez en position les parements du guide de façon qu'il y ait un dégagement de 1/4 po de la fraise.
 5. Serrez les quatre boutons de serrage qui maintiennent les parements du guide en place.
 6. Placez une règle ou un morceau de bois droit sur la table afin qu'elle repose contre le parement du guide de gauche.
 7. Reculez le guide jusqu'à ce que la règle soit en alignement avec le bord de coupe de la fraise et est toujours en contact avec le parement du guide de gauche.
 8. Serrez les boutons de serrage.
 9. Enlevez la règle ou la planche.
 10. Réglez la hauteur de la fraise de façon qu'elle coupe sur l'épaisseur totale de la pièce à travailler.
 11. Mettez en place les guides biseautés, le cas échéant. Consultez TOUPILLAGE À L'AIDE DES GUIDES BISEAUTÉS à la page 57.
 12. Enlevez la planche de la table et **abaissez le garde supérieur à la position de fonctionnement. Serrez À FOND les boutons de serrage du garde.**
- REMARQUE** : lorsque vous effectuez des réglages, utilisez une retaille de bois pour effectuer des coupes d'essai avant d'effectuer la coupe sur la pièce réelle à travailler.
13. Assurez-vous que non seulement la toupie mais également la boîte de l'interrupteur sont à l'ARRÊT, puis branchez la toupie dans la boîte de l'interrupteur.

FIG. 24

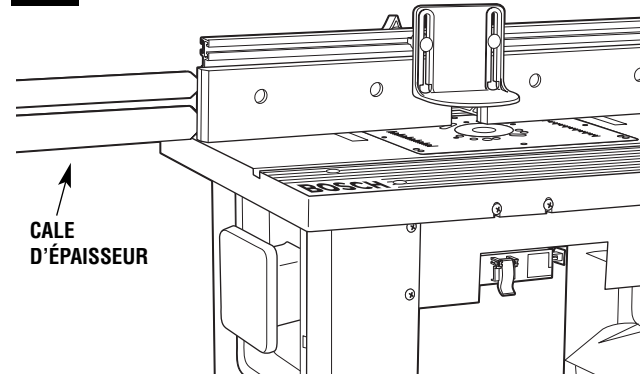
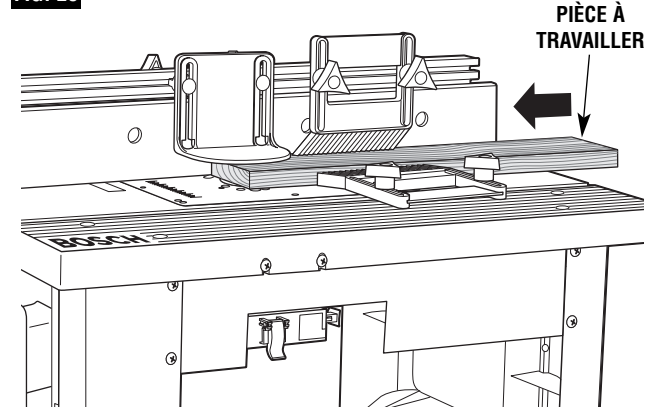


FIG. 25



14. **Tout en tenant fermement une retaille de bois contre le guide et en l'appuyant contre la table de la toupie,** faites avancer une retaille de bois vers la mèche dans le sens de la flèche à la figure 25.
15. À l'aide de la boîte de commutation, mettez la toupie à l'ARRÊT. Si vous devez effectuer des réglages, débranchez le cordon d'alimentation et répétez les étapes 6 à 11 jusqu'à ce que tous les réglages soient corrects. Une fois que vous êtes satisfait de tous les réglages, effectuez la coupe sur la pièce à travailler véritable.

Fonctionnement de la table à toupie

COUPE EN BORD AVEC DES FRAISES DE TOUPIE NON-PILOTÉE (Figs. 26 et 27)

MISE EN GARDE ASSUREZ-VOUS TOUJOURS QUE LA TOUPIE EST À L'ARRÊT ET QUE LE CORDON D'ALIMENTATION EST DÉBRANCHÉ AVANT D'EFFECTUER TOUT RÉGLAGE.

REMARQUE : si la cale d'assemblage est installée, retirez-la avant de continuer.

Lorsque vous utilisez des fraises à toupie sans avant-trous, le guide sert à déterminer la profondeur de coupe. Pour les coupes profondes, n'essayez pas d'effectuer la profondeur de coupe totale en une passe. Répétez la coupe, en effectuant plusieurs coupes plus petites.

1. Posez la fraise souhaitée dans la toupie.
2. Suivez les instructions données à la page 58 pour régler la profondeur et la hauteur de coupe souhaitées (Fig. 26). Assurez-vous que le guide et la toupie sont **SOLIDEMENT** en place.
3. Mettez en position les deux parements de guide afin qu'il y ait un dégagement de 1/4 po autour de la fraise.
4. Serrez les quatre boutons de serrage qui maintiennent les parements du guide en place.
5. Mettez en place les guides biseautés, le cas échéant. Consultez TOUPILLAGE À L'AIDE DES GUIDES BISEAUTÉS à la page 57.
6. Retirez la planche de la table et **abaissez le garde supérieur à la position de fonctionnement. Serrez À FOND les boutons de serrage.**

REMARQUE : lorsque vous effectuez des réglages, utilisez une retaille de bois pour effectuer une coupe d'essai avant d'effectuer la coupe sur la pièce à travailler véritable.

7. Assurez-vous que non seulement la toupie mais la boîte de commutation sont à l'ARRÊT, puis branchez la toupie dans la boîte de l'interrupteur.
8. **Tout en tenant fermement une retaille de bois contre le guide et en l'appuyant contre la table de la toupie**, faites avancer une retaille de bois vers la fraise dans la direction de la flèche à la figure 27.
9. À l'aide de la boîte de commutation, mettez la toupie à l'ARRÊT. Si des réglages sont nécessaires, débranchez le cordon d'alimentation et répétez les étapes 2 à 8 jusqu'à ce que tous les réglages soient corrects. Une fois que vous êtes satisfait de tous les réglages, effectuez la coupe sur la pièce à travailler.

FIG. 26

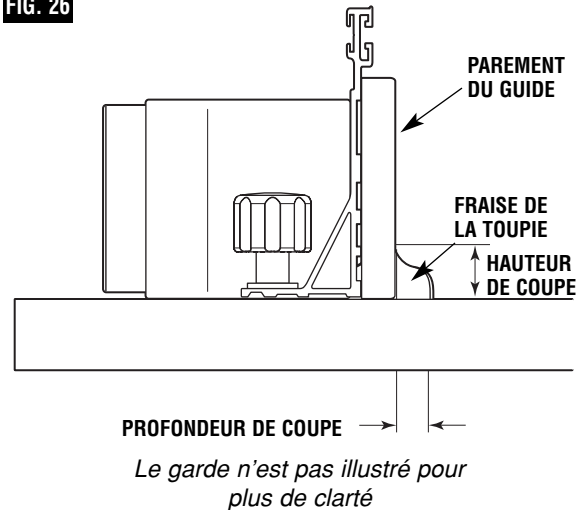
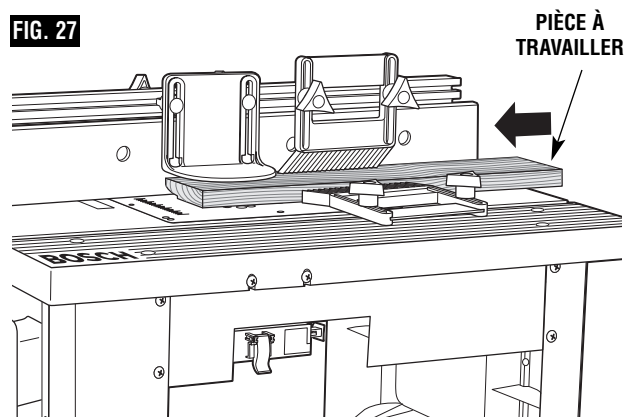


FIG. 27



Fonctionnement de la table à toupie

COUPE EN BORD AVEC DES FRAISES DE TOUPIE À AVANT-TROU (Figs. 28 et 29)

MISE EN GARDE ASSUREZ-VOUS TOUJOURS QUE LA TOUPIE EST À L'ARRÊT ET QUE LE CORDON D'ALIMENTATION EST DÉBRANCHÉ AVANT D'EFFECTUER TOUT RÉGLAGE.

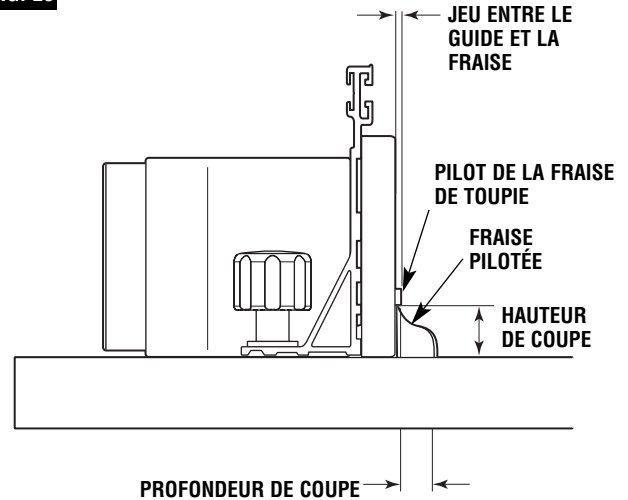
REMARQUE : si la cale d'assemblage est installée, retirez-la avant de continuer.

1. Installez la fraise à avant-trous souhaitée dans la toupie.
2. Suivez les instructions données à la page 58 pour régler la hauteur de coupe souhaitée (Fig. 28). Assurez-vous que la toupie est **SOLIDEMENT** en place.
3. Réglez le dos du guide de la table de la toupie juste assez pour que l'avant-trou sur la fraise de la toupie détermine la profondeur de coupe. L'avant-trou de la fraise de la toupie devrait à peine dépasser les parements du guide. Serrez les boutons de serrage du guide **À FOND**.
4. Mettez en position les parements du guide afin qu'il y ait un dégagement de 1/4 po autour de la fraise.
5. Serrez les quatre boutons de serrage qui maintiennent les parements du guide en place.
6. Retirez la planche de la table et **abaissez le garde supérieur à la position de fonctionnement. Serrez À FOND les boutons de serrage.**

REMARQUE : lorsque vous effectuez des réglages, utilisez une retaille de bois pour effectuer une coupe d'essai avant d'effectuer la coupe sur la pièce à travailler véritable.

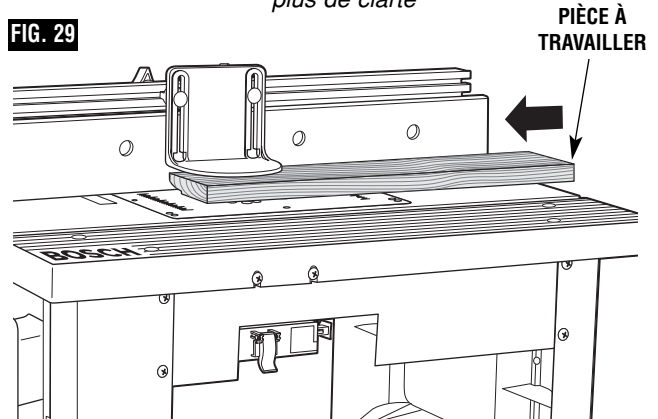
7. Assurez-vous que non seulement la toupie mais la boîte de commutation sont à l'ARRÊT, puis branchez la toupie dans la boîte de l'interrupteur.
8. **Tout en tenant fermement une retaille de bois contre le guide et en appuyant contre la table de la toupie**, faites avancer une retaille de bois vers la fraise dans la direction de la flèche à la figure 29.
9. À l'aide de la boîte de commutation, mettez la toupie à l'ARRÊT. Si des réglages sont nécessaires, débranchez le cordon d'alimentation et répétez les étapes 2 à 8 jusqu'à ce que tous les réglages soient corrects. Une fois que vous êtes satisfait de tous les réglages, effectuez la coupe sur la pièce à travailler.

FIG. 28



Le garde n'est pas illustré pour plus de clarté

FIG. 29



Fonctionnement de la table à toupie

RAINURAGE, GOUGEAGE ET NERVURAGE (Figs. 30 et 31)

MISE EN GARDE ASSUREZ-VOUS TOUJOURS QUE LA TOUPIE EST À L'ARRÊT ET QUE LE CORDON D'ALIMENTATION EST DÉBRANCHÉ AVANT D'EFFECTUER TOUT RÉGLAGE.

REMARQUE : si la cale d'assemblage est installée, retirez-la avant de continuer.

Lorsque vous toupillez, il est recommandé d'utiliser des guides biseautés et un pousoir.

Pour de meilleurs résultats et un maximum de précision, le côté de la pièce à travailler qui s'appuiera contre le guide doit être d'équerre et droit.

Si vous utilisez un aspirateur à eaux/ poussières, il faut le brancher à l'orifice prévu à cet effet au dos du meuble de la table.

1. Installez la fraise de coupe en bout souhaitée dans la toupie.
2. Suivez les instructions en page 58 pour régler la profondeur et la hauteur de coupe souhaitée (Fig. 30). Assurez-vous que le guide et la toupie sont SOLIDEMENT en place.

IMPORTANT : pour les coupes profondes, n'essayez pas de couper la profondeur totale (déterminée par la hauteur de la fraise de la toupie) en une seule passe. Répétez la coupe, en effectuant des coupes plus petites jusqu'à ce que vous atteigniez la profondeur de coupe souhaitée.

3. Mettez en position les parements du guide de façon à ce qu'ils offrent un soutien continu à la pièce à travailler.
4. Serrez les quatre boutons de serrage qui maintiennent les parements du guide en place.
5. Mettez en place les guides biseautés, le cas échéant. Consultez TOUPILLAGE À L'AIDE DES GUIDES BISEAUTÉS à la page 57.
6. Retirez la planche de la table et **abaissez le garde supérieur à la position de fonctionnement. Serrez À FOND les boutons de serrage.**

REMARQUE : lorsque vous effectuez des réglages, utilisez une retaille de bois pour effectuer une coupe d'essai avant d'effectuer la coupe sur la pièce à travailler véritable.

7. Assurez-vous que non seulement la toupie mais la boîte de commutation sont à l'ARRÊT, puis branchez la toupie dans la boîte de l'interrupteur.

FIG. 30

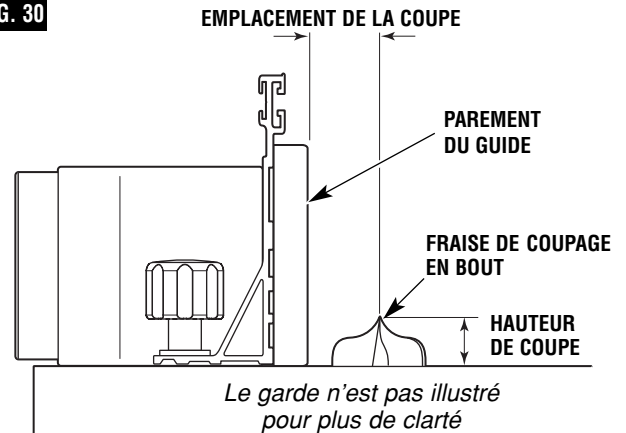
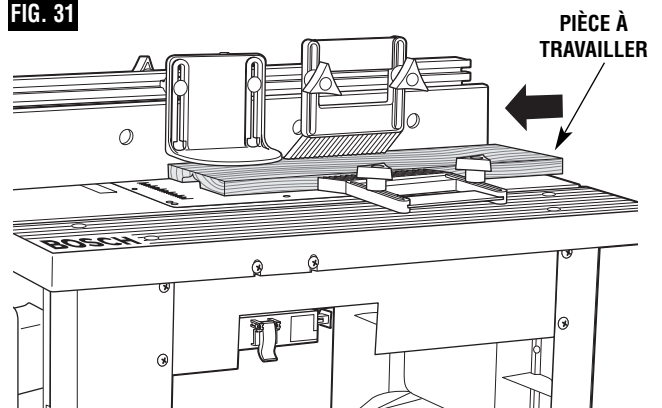


FIG. 31



8. **Tout en tenant fermement une retaille de bois contre le guide et en l'appuyant contre la table de la toupie**, faites avancer une retaille de bois vers la fraise dans la direction de la flèche à la figure 31.
9. À l'aide de la boîte de commutation, mettez la toupie à l'ARRÊT. Si des réglages sont nécessaires, débranchez le cordon d'alimentation et répétez les étapes 2 à 8 jusqu'à ce que tous les réglages soient corrects. Une fois que vous êtes satisfait de tous les réglages, effectuez la coupe sur la pièce à travailler.

Fonctionnement de la table à toupie

UTILISATION DE LA GOUPILLE DE DÉMARRAGE POUR LA FORMATION DES BORDS DE COURBE

La goupille de démarrage (20) est utilisée au lieu de la cloison pour les opérations qui nécessitent la taille des profils courbes de la pièce. Elle doit être utilisée seulement avec les fraises qui possèdent des paliers pilotes. Vissez le taquet de départ dans le trou taraudé de la plaque de montage et fixez solidement à l'aide d'un tournevis pour écrou à fente (Fig. 32).

Attachez le protecteur (21) de la goupille de démarrage à la plaque de montage en vissant une vis à métaux à tête bombée n° 10-32 x 3/8 po (22) dans le trou du montant du protecteur et dans le trou fileté de la plaque de montage. Alignez la garde au trou de la plaque de montage de manière à ce qu'elle soit au dessus de la fraise et fixez solidement la garde en place.

- Utilisez toujours le protecteur de la goupille de démarrage pour toupiller avec la goupille de démarrage.
- Lors de l'utilisation de la goupille de démarrage, le sens de l'avance de la pièce est toujours de droite à gauche (Fig. 33).
- Réglez la pièce contre l'avant de la goupille de démarrage et basculez-la lentement dans la fraise.
- Pendant le toupillage, assurez-vous que la pièce est toujours en contact avec le palier pilote de la lame.



MISE EN GARDE Le protecteur auxiliaire doit être utilisé pour ce type d'opération. N'approchez pas les doigts de la lame tournante. N'essayez pas de toupiller les petites pièces.

FIG. 32

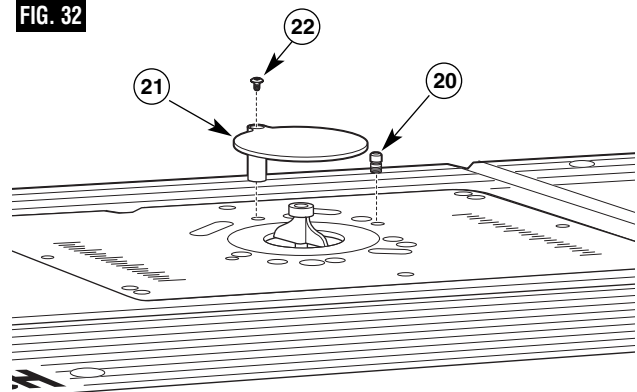
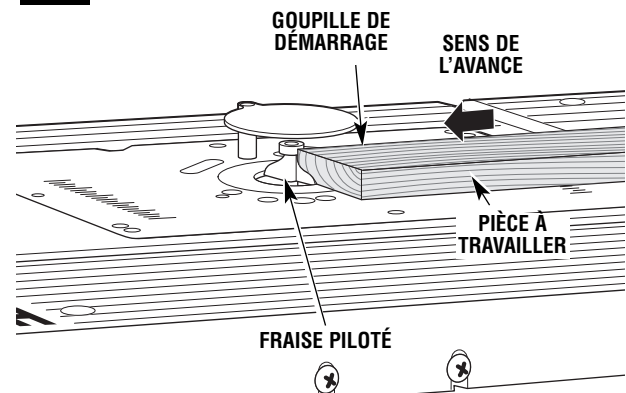


FIG. 33



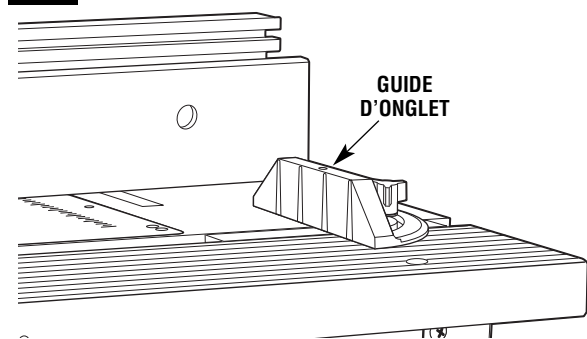
UTILISATION D'UN GUIDE D'ONGLET (non fourni)

On peut se servir de la fente prévue pour guide d'onglet à fente en T en aluminium avec la plupart des guides d'onglet de banc de scie qui mesurent 3/4 po de largeur x 3/8 po de profondeur.

REMARQUE : pour tous les toupillages qui exigent l'utilisation d'un guide d'onglet avec le guide de la table à toupie, assurez-vous d'aligner ce dernier avec la fente du guide d'onglet dans la table à toupie avant d'effectuer une coupe quelconque.

On peut couper des onglets en desserrant le bouton sur la tête du rapporteur d'angles, en tournant la tête du rapporteur d'angles à 60° dans un sens ou dans l'autre et en resserrant le bouton de la tête du rapporteur d'angles.

FIG. 34



Contenido

INSTRUCCIONES IMPORTANTES

DE SEGURIDAD64–68	Montaje de la mesa de fresado72–82
Lista de piezas69–74	Operación de la mesa de fresado83–95

Normas de seguridad para herramientas mecánicas



ADVERTENCIA

Lea y entienda el manual de se fresador y estas instrucciones.

El incumplimiento de todas las instrucciones indicadas a continuación puede dar lugar a lesiones personales graves.

CONSERVE ESTAS INSTRUCCIONES

Area de trabajo


Mantenga el área de trabajo limpia y bien iluminada. Las mesas desordenadas y las áreas oscuras invitan a que se produzcan accidentes.

No utilice herramientas mecánicas en atmósferas explosivas, tales como las existentes en presencia de líquidos, gases o polvos inflamables. Las herramientas mecánicas generan chispas y éstas pueden dar lugar a la ignición del polvo o los vapores.

Mantenga a las personas que se encuentren presentes, a los niños y a los visitantes alejados al utilizar una herramienta mecánica. Las distracciones pueden hacer que usted pierda el control.

Seguridad eléctrica

Las herramientas con conexión a tierra deben enchufarse en un tomacorriente instalado y conectado a tierra adecuadamente de acuerdo con todos los códigos y ordenanzas. Nunca quite el terminal de conexión a tierra ni modifique el enchufe de ninguna forma. No utilice enchufes adaptadores. Consulte a un electricista calificado si tiene dudas sobre si el tomacorriente está conectado a tierra adecuadamente. En caso de que las herramientas tengan algún funcionamiento defectuoso o avería de tipo eléctrico, la conexión a tierra proporciona una ruta de resistencia baja para transportar la electricidad alejándola del usuario. La conexión incorrecta a tierra puede causar sacudidas eléctricas, quemar o electrocutar. Las herramientas con conexión a tierra están equipadas con un cordón de tres conductores y enchufes del tipo de tres terminales. *Antes de enchufar la herramienta, asegúrese de que la tensión del tomacorriente suministrada se encuentre dentro del margen de la tensión especificada en la placa del fabricante. No utilice herramientas con capacidad nominal "AC solamente" ("AC only") con una fuente de energía DC.*

Las herramientas con aislamiento doble están equipadas con un enchufe polarizado (un terminal es más ancho que el otro). Este enchufe entrará en un tomacorriente polarizado solamente de una manera. Si el enchufe no entra por completo en el tomacorriente, déle la vuelta. Si sigue sin entrar, póngase en contacto con un electricista competente para instalar un tomacorriente polarizado. **No haga ningún tipo de cambio en el enchufe.** El aislamiento doble  elimina la necesidad del sistema de cordón de energía de tres hilos conectado a tierra y la fuente de energía conectada a tierra. *Antes de enchufar la herramienta, asegúrese de que la tensión del tomacorriente suministrada se encuentre dentro del margen de la tensión especificada en la placa del fabricante. No utilice herramientas con capacidad nominal "AC solamente" ("AC only") con una fuente de energía DC.*

Evite el contacto del cuerpo con las superficies conectadas a tierra tales como tuberías, radiadores, estufas de cocina y refrigeradores. Hay mayor riesgo de que se produzcan sacudidas eléctricas si su cuerpo está conectado a tierra. Si la utilización de la herramienta mecánica en lugares húmedos es inevitable, se debe usar un interruptor de circuito para fallos a tierra para suministrar la energía a la herramienta. Los guantes de goma para electricista y el calzado antideslizante aumentarán más la seguridad personal.

No exponga las herramientas mecánicas a la lluvia ni a situaciones húmedas. La entrada de agua en una herramienta mecánica aumentará el riesgo de que se produzcan sacudidas eléctricas.

No abuse del cordón. Nunca use el cordón para llevar las herramientas ni para sacar el enchufe de un tomacorriente. Mantenga el cordón alejado del calor, el aceite, los bordes afilados o las piezas móviles. Cambie los cordones dañados inmediatamente. Los cordones dañados aumentan el riesgo de que se produzcan sacudidas eléctricas.

Al utilizar una herramienta mecánica a la intemperie, utilice un cordón de extensión para intemperie marcado "W-A" o "W." Estos cordones tienen capacidad nominal para uso a la intemperie y reducen el riesgo de que se produzcan sacudidas eléctricas. Consulte "Información importante para cordones de extensión" en el manual de operación de su fresadora.

Seguridad personal

Manténgase alerta, fíjese en lo que está haciendo y use el sentido común cuando utilice una herramienta mecánica. No use la herramienta cuando esté cansado o se encuentre bajo la influencia de drogas, alcohol o medicamentos. Un momento de distracción al utilizar herramientas mecánicas puede dar lugar a lesiones personales graves.

Mantenga los protectores de seguridad en su lugar. Mantenga los protectores de seguridad en orden, ajustados y alineados correctamente.

Evite el arranque accidental. Asegúrese de que el interruptor esté en la posición "OFF" (apagado) antes de enchufar la herramienta. El llevar las herramientas con el dedo en el interruptor o el enchufar herramientas que tengan el interruptor en la posición "ON" (encendido) invita a que se produzcan accidentes.

Quite las llaves de ajuste o de tuerca antes de encender la herramienta. Una llave de ajuste o de tuerca que se deje puesta en una pieza giratoria de la herramienta puede ocasionar lesiones personales.

Normas de seguridad para herramientas mecánicas

No intente alcanzar demasiado lejos. Mantenga un apoyo de los pies y un equilibrio adecuados en todo momento. El apoyo de los pies y el equilibrio adecuados permiten un mejor control de la herramienta en situaciones inesperadas.

Utilice gafas de seguridad (protección para la cabeza): Utilice gafas de seguridad (deben cumplir con el estándar Z87.1 de ANSI) en todo momento. Utilice calzado antideslizante y un casco fuerte, si es apropiado. Utilice también una máscara para la cara o para evitar el polvo si la operación de corte produce polvo, y protectores para los oídos (tapones u orejeras) durante periodos prolongados de operación.

Utilización y cuidado de las herramientas

Utilice abrazaderas u otro modo práctico de fijar y soportar la pieza de trabajo a una plataforma estable. La sujeción de la pieza de trabajo con la mano o contra el cuerpo resulta inestable y puede ocasionar pérdida de control.

No fuerce la herramienta. Use la herramienta correcta para la aplicación que desea. La herramienta correcta hará el trabajo mejor y con más seguridad a la capacidad nominal para la que está diseñada.

No utilice la herramienta si el interruptor no la enciende o apaga. Toda herramienta que no se pueda controlar con el interruptor es peligrosa y debe ser reparada.

Desconecte el enchufe de la fuente de energía antes de hacer cualquier ajuste, cambiar accesorios o guardar la herramienta. Estas medidas de seguridad preventivas reducen el riesgo de arrancar la herramienta accidentalmente.

Mantenga los protectores de seguridad en su lugar. Mantenga los protectores de seguridad en orden, ajustados y alineados correctamente.

Guarde las herramientas que no esté usando fuera del alcance de los niños y otras personas no capacitadas. Las herramientas son peligrosas en las manos de los usuarios no capacitados.

Nunca deje las herramientas sin vigilancia. Apague la corriente. NO se aleje de la herramienta hasta que haya parado por completo.

Mantenga las herramientas con cuidado. Conserve las herramientas de corte afiladas y limpias. Las herramientas mantenidas adecuadamente, con bordes de corte afilados, tienen menos probabilidades de atascarse y son más fáciles de controlar. Toda alteración o modificación constituye un uso incorrecto y puede tener como resultado una situación peligrosa.

Compruebe la desalineación o el atasco de las piezas móviles, la ruptura de piezas y cualquier otra situación que pueda afectar el funcionamiento de las herramientas. Si la herramienta está dañada, haga que realicen un servicio de ajustes y reparaciones a la herramienta antes de usarla. Muchos accidentes son causados por herramientas mantenidas deficientemente. Establezca un programa de mantenimiento periódico para la herramienta.

Utilice únicamente accesorios que estén recomendados por el fabricante de su modelo. Los accesorios que pueden ser adecuados para una herramienta pueden volverse peligrosos cuando se utilizan en otra herramienta.

Servicio

El servicio de ajustes y reparaciones de una herramienta debe ser realizado únicamente por personal de reparaciones competente. El servicio o mantenimiento realizado por personal no competente podría ocasionar un peligro de que se produzcan lesiones. Por ejemplo: Los cables internos pueden colocarse mal o pellizcarse, los resortes de retorno de los protectores de seguridad pueden montarse inadecuadamente.

Al realizar servicio de ajustes y reparaciones de una herramienta, utilice únicamente piezas de repuesto idénticas. El uso de piezas no autorizadas o el incumplimiento de las instrucciones de mantenimiento puede ocasionar un peligro de que se produzcan sacudidas eléctricas o lesiones. Ciertos agentes de limpieza, tales como gasolina, tetracloruro de carbono, amoníaco, etc., pueden dañar las piezas de plástico.

Instrucciones adicionales de seguridad para la mesa de fresado

Lea y entienda el manual de la mesa y fresadora y las advertencias sobre los accesorios. No seguir las instrucciones y advertencias puede resultar en graves lesiones personales.

Arme completamente y apriete todos los pasadores requeridos para esta mesa y para montar la fresadora en el plato. No utilice la mesa de fresado sino hasta que todos los pasos para el montaje e instalación estén completos. Revise la fresadora para cerciorarse de que todos los pasadores estén todavía apretados antes de cada uso. Una mesa suelta es inestable y puede voltearse durante el uso.

Cerciórese de que la fresadora no esté conectada a una salida eléctrica cuando esté instalándola en la mesa, retirando la mesa, haciendo ajustes o cambiando accesorios. La fresadora podría arrancar accidentalmente.

No conecte el cable eléctrico del motor de la fresadora en la toma estándar de pared, sino que en el interruptor de la mesa de fresado. Los interruptores y controles de la herramienta eléctrica deben estar a su alcance en situaciones de emergencia.

Antes de operar, cerciórese de que toda la unidad (mesa con fresadora instalada) se coloque y se asegure en una superficie sólida, plana, a nivel y que no se incline. Para piezas de trabajo largas o anchas, utilice soportes auxiliares de alimentación hacia dentro y hacia fuera. Las piezas de trabajo largas sin un soporte adecuado pueden voltear la mesa o causar que ésta se incline.

Cerciórese de que el motor de la fresadora esté firme y completamente asegurado a la base de la fresadora. Revise periódicamente el nivel de apretado de las presillas sujetadoras de la base. El motor de la fresadora puede vibrar y aflojarse de la base durante el uso y caerse de la mesa.

No utilice la mesa de fresado sin el protector de seguridad superior o el protector de seguridad auxiliar de las brocas. Retire todo el polvo, astillas y cualquier otra partícula extraña que pueda afectar su función. Ajuste la altura del protector de seguridad de manera que pueda despejar la broca de fresado y la pieza de trabajo. El protector de seguridad le ayudará a mantener las manos alejadas de un contacto no intencional con la broca en rotación.

Nunca coloque los dedos cerca de una broca en movimiento o debajo del protector de seguridad cuando la fresadora esté conectada. Nunca sostenga la pieza de trabajo en el lado de alimentación saliente de la broca. Presionar la pieza de trabajo contra el lado de alimentación saliente de la guía puede causar que el material se doble y una posible reculada que hale la mano de nuevo hacia la broca.

Dirija la pieza de trabajo con la guía para mantener el control de la pieza de trabajo. No coloque material entre la broca de fresado y la guía mientras realiza el fresado del borde. Esto causará que el material se atasque, provocando una reculada.

Las fresadoras están diseñadas para trabajar con madera, productos similares a la madera y plásticos o laminados, mas no para cortar o dar forma a metales. Cerciórese de que la pieza de trabajo no contenga puntillas o clavos, etc. Cortar puntillas o clavos puede provocar una pérdida del control.

No utilice brocas que tengan un diámetro de corte que supere el espacio libre en el inserto superior de la mesa. La broca podría entrar en contacto con el anillo del inserto y arrojar fragmentos.

Instale la broca de acuerdo con las instrucciones en el manual de la fresadora y asegure firmemente la broca de fresado en el portabrocas antes de hacer cualquier corte para evitar que la broca se afloje durante la operación.

Nunca utilice brocas sin filo o dañadas. Las brocas filosas se deben manejar con cuidado. Las brocas dañadas se pueden soltar durante el uso. Las brocas sin filo exigen más fuerza para empujar la pieza de trabajo, lo que puede causar que la broca se quiebre o que el material provoque una reculada.

La mesa de fresado está diseñada para cortar materiales planos, rectos y cuadrados. No corte materiales pandeados o poco firmes o inestables de alguna manera. Si el material está ligeramente curvo pero estable, corte el material con el lado cóncavo contra la mesa o guía. Cortar el material con el lado cóncavo hacia arriba o distante de la mesa puede causar que el material pandeado o flojo se enrolle y recule y causar que el usuario pierda el control.

Nunca arranque la herramienta cuando la broca esté incrustada en el material. El borde de corte de la broca puede capturar la material y causar la pérdida del control de la pieza de trabajo.

Alimente la pieza de trabajo contra la rotación de la broca. La broca gira en el sentido opuesto a las manijas del reloj viéndolo desde la parte superior de la mesa. Alimentar el trabajo en la dirección contraria causará que la pieza de trabajo se “monte” en la broca, halando la pieza de trabajo y posiblemente sus manos hacia la broca rotatoria.

Utilice palitos de presión, tablas de biselado (palitos con resorte) montadas vertical y horizontalmente y otras plantillas para sostener la pieza de trabajo. Los palitos de presión, las tablas de biselado y las plantillas eliminan la necesidad de sostener la pieza de trabajo cerca de la broca en movimiento.

Las brocas piloteadas junto con la pata de arranque se usan al fresar contornos internos y externos en la pieza de trabajo. Use el protector auxiliar de brocas al dar forma al material con la pata de arranque y las brocas piloteadas. La pata de arranque y el cojinete de la broca piloteada ayudan a mantener el control de la pieza de trabajo.

No utilice la mesa como una superficie de trabajo. Utilizarla con fines diferentes al fresado puede causar daños y hacer que sea insegura para el fresado.

Nunca se pare en la mesa ni la utilice como escalera o andamio. La mesa se podría inclinar o se podría contactar accidentalmente la herramienta de corte.

Utilice únicamente partes de repuesto Bosch. Cualquier otra marca podría crear un peligro.

Ubicación incorrecta de la guía y avance incorrecto de la pieza de trabajo

⚠ ADVERTENCIA

La guía y/o la pieza de trabajo están ubicados incorrectamente cuando dicha ubicación dé como resultado lo siguiente:

- La parte delantera de la broca está al descubierto durante la realización del corte (Fig. A).
- “Fresado concurrente”: La broca no debe penetrar en la pieza de trabajo en el mismo sentido que el sentido de avance, lo cual es probable que haga que la pieza de trabajo “trepe” y puede causar pérdida de control durante la operación (Fig. B).

“Trampas de la guía”: Un tipo de ubicación incorrecta de la guía que exige atención especial: Las “trampas de la guía” ocurren cuando la guía se posiciona tan atrás que el lado delantero (el lado del interruptor de encendido) de la pieza de trabajo estaría detrás de la broca de fresadora.

⚠ ADVERTENCIA

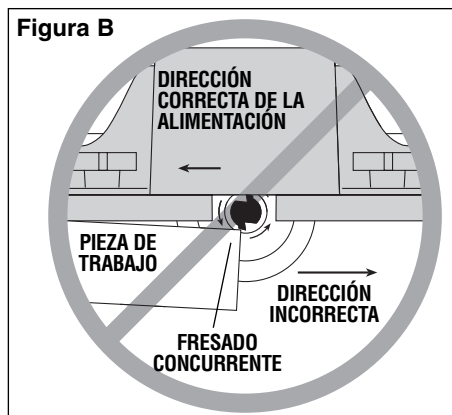
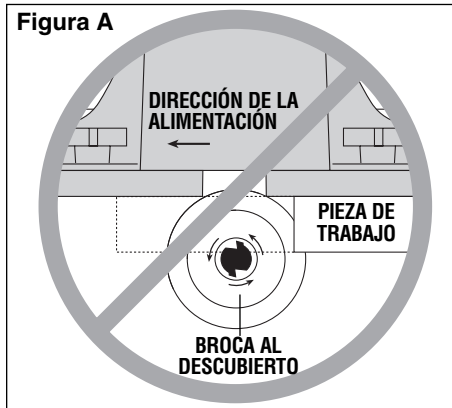
Las trampas de la guía son peligrosas por dos motivos:

- La broca queda al descubierto en el lado delantero (el lado del interruptor de encendido) de la pieza de trabajo.
- Es muy probable que se produzca un fresado concurrente, lo cual puede causar pérdida de control.

En la Fig. A se muestra una trampa de la guía.

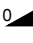

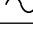
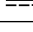
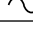
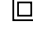



No haga avanzar la pieza de trabajo de izquierda a derecha (Fig. B).

- Esto causaría fresado concurrente.
- Sería difícil mantener la pieza de trabajo contra los refrentados de la guía, porque la rotación de la broca empujaría la pieza de trabajo alejándola de la guía.



Símbolos

Importante: Es posible que algunos de los símbolos siguientes se usen en su herramienta. Por favor, estúdielos y aprenda su significado. La interpretación adecuada de estos símbolos le permitirá utilizar la herramienta mejor y con más seguridad.

Símbolo	Nombre	Designación/explicación
V	Volts	Tensión (potencial)
A	Ampere	Corriente
Hz	Hertz	Frecuencia (ciclos por segundo)
W	Watt	Potencia
kg	Kilogramo	Peso
min	Minuto	Tiempo
s	Segundo	Tiempo
∅	Diámetro	Tamaño de las brocas taladradoras, muelas, etc.,
n ₀	Velocidad sin carga	Velocidad rotacional sin carga
.../min	Revoluciones o alternación por minuto	Revoluciones, golpes, velocidad de superficie, órbitas, etc., por minuto
0	Posición "off" (apagado)	Velocidad cero, par motor cero...
1, 2, 3, ... I, II, III,	Graduaciones del selector	Graduaciones de velocidad, par motor o posición Un número más alto significa mayor velocidad
	Selector infinitamente variable con apagado	La velocidad aumenta desde la graduación de 0
	Flecha	Acción en la dirección de la flecha
	Corriente alterna	Tipo o una característica de corriente
	Corriente continua	Tipo o una característica de corriente
	Corriente alterna o continua	Tipo o una característica de corriente
	Construcción de clase II	Designa las herramientas de construcción con aislamiento doble
	Terminal de toma de tierra	Terminal de conexión a tierra
	Símbolo de advertencia	Alerta al usuario sobre mensajes de advertencia
	Sello RBRCTM de Ni-Cd	Designa el programa de reciclaje de baterías de Ni-Cd



Este símbolo indica que esta herramienta está catalogada por Underwriters Laboratories.



Este símbolo indica que Underwriters Laboratories ha catalogado esta herramienta indicando que cumple las normas canadienses.



Este símbolo indica que esta herramienta cumple con la norma mexicana oficial (NOM).



Este símbolo indica que esta herramienta está catalogada por la Canadian Standards Association.



Este símbolo indica que esta herramienta está catalogada por Underwriters Laboratories y que Underwriters Laboratories la ha catalogado según las normas canadienses.



Este símbolo indica que componentes de esta herramienta estén catalogada por Underwriters Laboratories y que Underwriters Laboratories la ha catalogado según las normas canadienses.

Informaciones importantes sobre los cables de extensión

ADVERTENCIA

Si es necesario un cable de extensión, se debe usar uno con conductores de tamaño adecuado que sea capaz de transportar la corriente necesaria para la herramienta. Esto evitará caídas de tensión excesivas, pérdida de potencia o el recalentamiento. Las herramientas conectadas a tierra deben usar cables de extensión de 3 hilos que tengan enchufes de 3 terminales y receptáculos para 3 terminales.

NOTA: Cuanto más pequeño es el número de calibre, más es el cable.

TAMAÑOS RECOMENDADOS DE CORDONES DE EXTENSION HERRAMIENTAS DE 120 V CORRIENTE ALTERNA

Capacidad nominal en amperes de la herramienta	Tamaño del cordón en A.W.G.				Tamaños del cable en mm ²			
	Longitud del cordón en pies				Longitud del cordón en metros			
	25	50	100	150	15	30	60	120
3-6	18	16	16	14	0,75	0,75	1,5	2,5
6-8	18	16	14	12	0,75	1,0	2,5	4,0
8-10	18	16	14	12	0,75	1,0	2,5	4,0
10-12	16	16	14	12	1,0	2,5	4,0	—
12-16	14	12	—	—	—	—	—	—

Lista de piezas

Consulte la lista de piezas siguiente y en las páginas 69–71

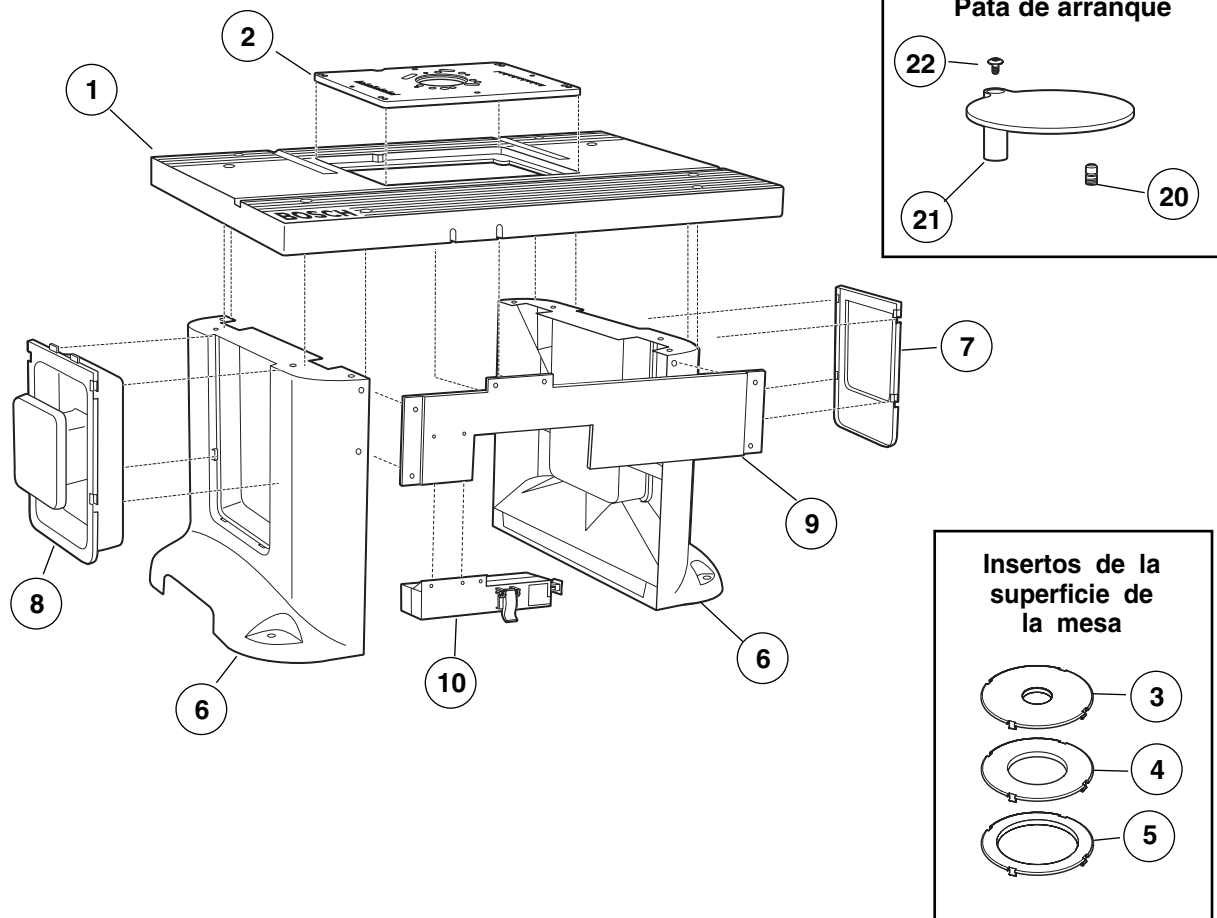
- **ADVERTENCIA** Si falta **ALGUNA** de las piezas, no intente armar, instalar o usar su mesa de fresado hasta que todas las piezas faltantes estén en sus manos o las haya reemplazado y su mesa de fresado esté armada en forma correcta y completa según lo indicado en este manual.
- **Para piezas faltantes o si necesita asistencia técnica, llame al 1-877-BOSCH99 (877-267-2499).**

- Para simplificar el manejo y reducir al mínimo cualquier daño que pueda ocurrir durante el transporte, su mesa de fresado se embala y llega a usted desarmada.
- Separe todas las piezas de los materiales de empaque y compruebe cada pieza comparándola con las ilustraciones y la lista de piezas, para así asegurarse de que se hayan incluido todas las piezas. Hágalo antes de desechar cualquiera de los materiales de embalaje.

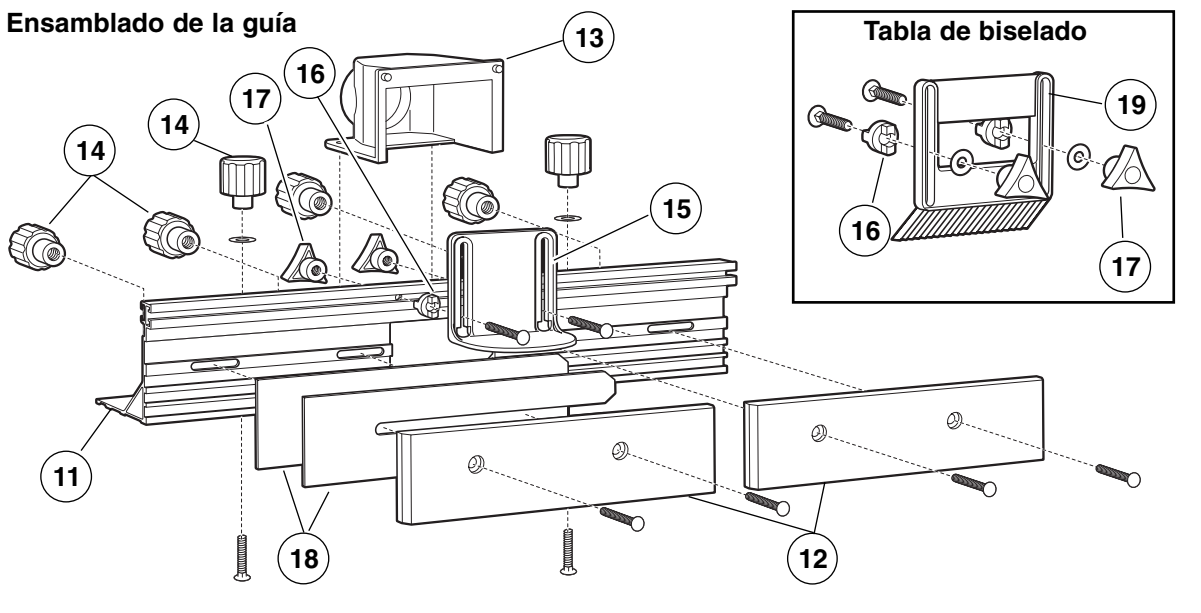
Clave No.	Descripción	Cantidad
Ensamblado de la mesa de fresado		
1	Superficie de la mesa de fresado	1
2	Placa de montaje de fresado	1
3	Inserto de la superficie de la mesa con diam. del orificio de 1"	1
4	Inserto de la superficie de la mesa con diam. del orificio de 2"	1
5	Inserto de la superficie de la mesa con diam. del orificio de 2¾"	1
6	Pata de mesa	2
7	Panel de almacenamiento de las patas	1
8	Panel de envoltura del cable de las patas	1
9	Panel delantero de la fascia	1
10	Ensambladura del interruptor con llave de bloqueo	1
Ensamblado de la guía		
11	Guía de aluminio	1
12	Refrentado de la guía	2
13	Abertura de vacío	1
14	Perilla de fijación grande (en bolsa de accesorios)	6
15	Protección superior	1
16	Espacador (en bolsa de accesorios)	6
17	Perilla de fijación pequeña (en bolsa de accesorios)	6
18	Cuña de unión de 1/16"	2
19	Tabla de biselado	2
Pata de arranque		
20	Pata de arranque	1
21	Protector de seguridad de la pata de arranque	1
22	Tornillo de máquina Phillips de cabeza segmental #10-32 x 3/8"	1
Elementos sin diagrama		
23	Manual del propietario de la mesa de fresado	1

Lista de piezas

Ensamblado de la mesa de fresado



Ensamblado de la guía



Lista de piezas

Clave No.	Descripción	Cantidad
SUJETADORES (Para el ensamblado de la mesa de fresado)		
24	Tuerca KEPS #10-32	8
25	Tuerca ESNA #10-32	13
26	Tuerca KEPS 1/4-20	9
27	Arandela 9/32" D.I. x 5/8" D.E. x 1/16"	8
28	Tornillo de máquina Phillips #10-32 x 1"	4
29	Tornillo de cabeza hueca embutida #10-32 x 3/4"	9
30	Tornillo de máquina Phillips de cabeza segmental #10-32 x 3/4"	8
31	Perno de carruaje 1/4-20 x 1 1/2"	8
32	Llave hexagonal de 1/8" (Llave Allen)	1
SUJETADORES (Para el ensamblado de la guía)		
24	Tuerca KEPS #10-32	2
27	Arandela 9/32" D.I. x 5/8" D.E. x 1/16"	2
33	Tornillo de máquina Phillips embutido #10-32 x 5/8"	2
31	Perno de carruaje 1/4-20 x 1 1/2"	6
34	Perno de carruaje 1/4-20 x 1"	6
SUJETADORES (Para montar las fresadoras)		
26	Tuerca KEPS 1/4-20	4
27	Arandela 9/32" D.I. x 5/8" D.E. x 1/16"	4
35	Tornillo de máquina Phillips #10-32 x 3/4"	3
36	Tornillo de máquina Phillips 1/4-20 x 1 1/2"	4
37	Tornillo de máquina Phillips #10-24 x 3/4"	3
38	Tornillo de máquina Phillips #8-32 x 3/4"	3
39	Tornillo de máquina Phillips 5/16-18 x 3/4"	3

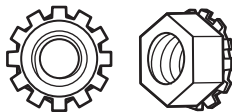
NOTA: La bolsa de herramientas contiene tornillos para varios modelos. Algunos de los cuales podrían no ser utilizados en la ensambladura de este modelo. Consulte la lista de partes anterior para verificar las cantidades y los tamaños correctos que se usan con esta mesa.



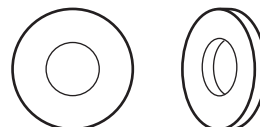
(24) Tuerca KEPS
#10-32



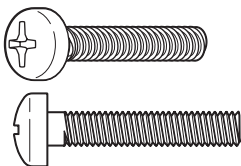
(25) Tuerca ESNA
#10-32



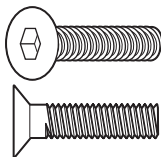
(26) Tuerca KEPS
1/4-20



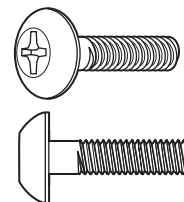
(27) Arandela 9/32" D.I. x 5/8"
D.E. x 1/16"



(28) Tornillo de máquina
Phillips #10-32 x 1"

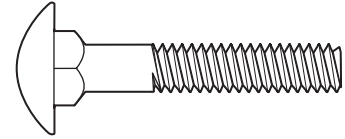
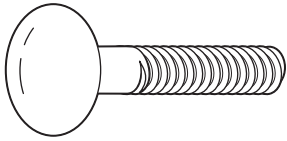


(29) Tornillo de cabeza hueca
embutida #10-32 x 3/4"

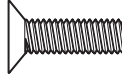
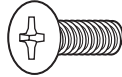


(30) Tornillo de máquina Phillips de cabeza
segmental #10-32 x 3/4"

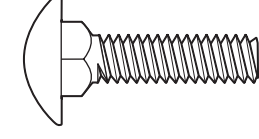
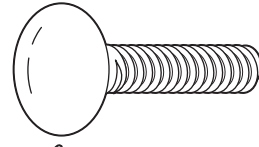
Lista de piezas



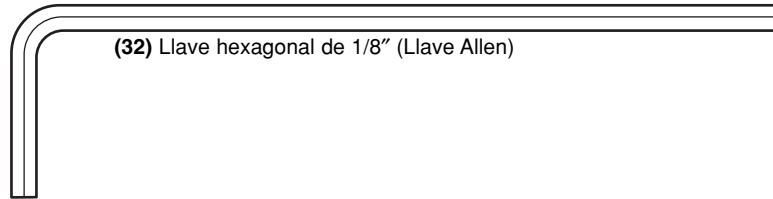
(31) Perno de carruaje 1/4-20 x 1 1/2"



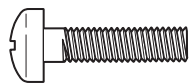
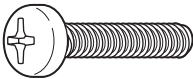
(33) Tornillo de máquina Phillips embutido #10-32 x 5/8"



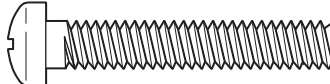
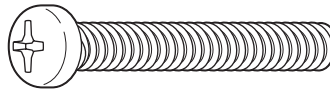
(34) Perno de carruaje 1/4-20 x 1"



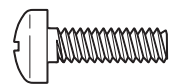
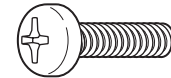
(32) Llave hexagonal de 1/8" (Llave Allen)



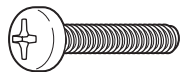
(35) Tornillo de máquina Phillips #10-32 x 3/4"



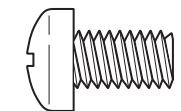
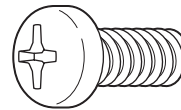
(36) Tornillo de máquina Phillips 1/4-20 x 1 1/2"



(37) Tornillo de máquina Phillips #10-24 x 3/4"



(38) Tornillo de máquina Phillips #8-32 x 3/4"



(39) Tornillo de máquina Phillips 5/16-18 x 3/4"

Montaje de la mesa de fresado

MONTAJE DE LA MESA DE FRESADO

INSERTOS DE LAS PATAS DE LA MESA (FIG. 1)

La mesa de fresado incluye dos insertos para las patas de la mesa:

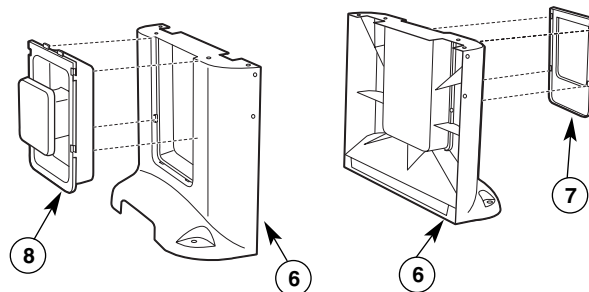
- Panel de almacenamiento para la mesa de las patas (7)
- Panel de envoltura del cable de las patas (8)

Se deben instalar los insertos de las patas de la mesa antes de unir la parte superior de la mesa.

1. Coloque el inserto de la pata de la mesa (7 o 8) en la abertura de la pata de la mesa (6) de manera que quede posicionado en la parte superior de la abertura.
2. Presione el inserto hasta que quede completamente nivelado con la pata.
3. Empuje el inserto hacia abajo lo más que pueda hasta que quede seguro en su lugar.

NOTA: El panel de envoltura del cable tiene dos lengüetas en la parte superior del panel que se ajustan debajo de la superficie de la mesa. Estas lengüetas ayudan a evitar que el panel se suelte mientras se envuelve o desenvuelve el cable.

FIG. 1



HERRAMIENTAS NECESARIAS (no incluidas)

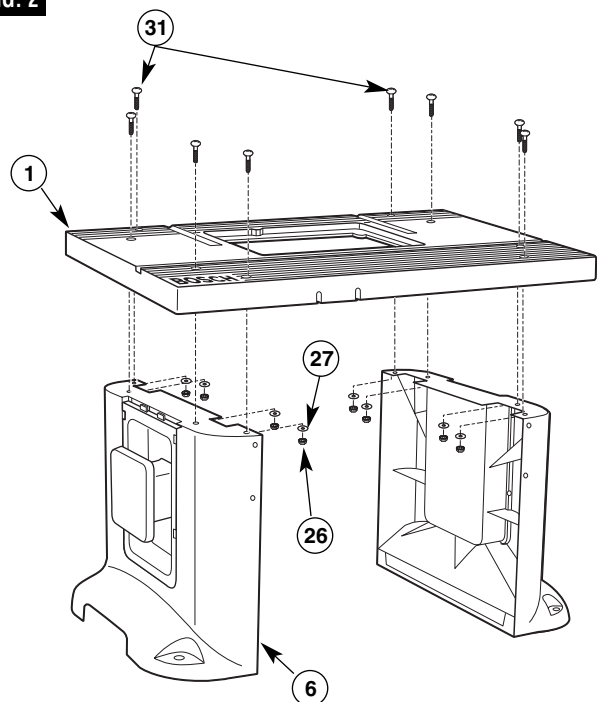
- Destornillador de estrella
- Llave pequeña ajustable
- Cinta con respaldo adhesivo (opcional)

PATAS DE LA MESA DE FRESADO (FIG. 2)

1. Inserte ocho pernos de carruaje (31) 1/4-20 x 1 1/2" de largo en la parte superior de la mesa de fresado como lo muestra la Figura 2.
2. Ensamble las patas (6) a la mesa de fresado como lo muestra en la figura.
3. Ensamble una arandela (27) de 9/32" de D.I. x 5/8" de D.E. x 1/16" y una tuerca (26) KEPS de 1/4-20 en cada uno de los pernos.
4. Apriete fuertemente los sujetadores.

NOTA: Puede ser más fácil ensamblar las patas colocando la mesa de fresado sobre el frente o la parte posterior, o utilizando cinta adhesiva en las cabezas de los pernos de carruaje para sostenerlas en su lugar y voltear la mesa de fresado.

FIG. 2

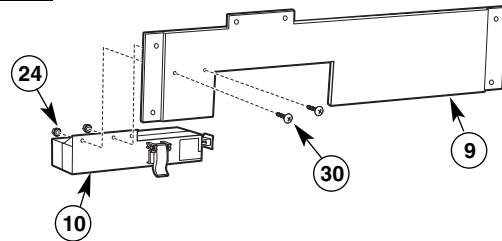


Montaje de la mesa de fresado

UNA EL INTERRUPTOR A LA FASCIA (FIG. 3)

1. Alinee los dos orificios más extremos en la parte superior de la ensambladura del interruptor (10) con los orificios en el panel delantero de la fascia (9), como se muestra en la Figura 3.
2. Inserte dos tuercas KEPS #10-32 (24) en las muescas hexagonales en la parte posterior de la ensambladura del interruptor (10), con el lado dentado hacia fuera, y asegure el interruptor al panel de la fascia con dos tornillos de máquina de cabeza segmental (30) #10-32 x 3/4" mientras sostiene las tuercas KEPS en la muesca con el dedo.

FIG. 3

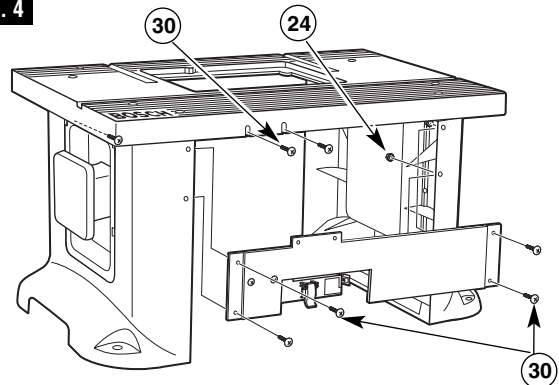


UNA EL MONTAJE DEL INTERRUPTOR / FAJA A LA MESA DE FRESADO (FIG. 4)

NOTA: La faja se arma al interior tanto de las patas de la mesa como de la parte superior de la mesa de fresado.

1. Alínee los orificios de la faja con los orificios de las patas de la mesa y con las dos ranuras del frente de la parte superior de la mesa de fresado.
2. Una la faja a la parte superior de la mesa de fresado utilizando dos tornillos (30) de máquina de cabeza segmental #10-32 x 3/4" de largo y dos tuercas (24) KEPS #10-32, como lo muestra la Fig. 4.
3. Una la faja a las patas utilizando cuatro tornillos de máquina de cabeza segmental (30) #10-32 x 3/4" de largo y cuatro tuercas KEPS #10-32 (24) como lo muestra la Fig. 4.
4. APRIETE todos los tornillos FIRMEMENTE.

FIG. 4



Montaje de la mesa de fresado

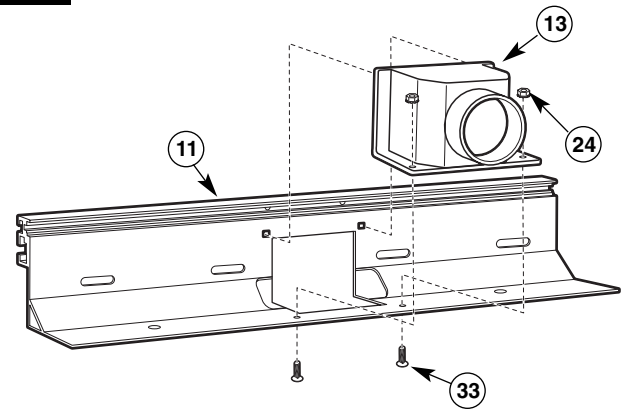
CÓMO ARMAR LA GUÍA

CÓMO ARMAR LA GUÍA (FIGS. 5 y 6)

1. Inserte los pasadores moldeados en la parte superior del puerto de vacío (13) dentro de los orificios en la parte posterior de la guía de aluminio (11) como se muestra en la Figura 5.
2. Desde la parte inferior de la guía, inserte dos tornillos de máquina embutidos #10-32 x 5/8" (33) hacia arriba a través de los orificios en la base de la guía y el puerto de vacío. Asegure en su lugar con dos tuercas KEPS #10-32 (24), con la superficie dentada hacia abajo (Figura 5).
3. Coloque la guía con el lado derecho hacia arriba en una superficie plana y alinee los orificios embutidos en los refrentados de la guía (12) con los orificios ranurados en la guía. El lado embutido de los refrentados debe estar hacia afuera (Fig. 6).
4. Una ambos refrentados de la guía (12) hacia el frente de la guía, con dos pernos de carruaje 1/4-20 x 1" (34) y dos perillas abrazaderas grandes (14) para cada refrentado de la guía (Fig. 6).
5. Desde el frente de la guía, inserte dos pernos de carruaje 1/4-20 x 1 1/2" (31) a través de los orificios en el dispositivo de seguridad (15). Deslice un espaciador (16) en cada perno de manera que las lengüetas en los espaciadores calcen en las ranuras del dispositivo de seguridad.
6. Desde el frente de la guía, inserte los pernos de carruaje a través de los orificios en el centro superior de la guía. Las lengüetas en los espaciadores calzarán en el canal superior en la guía. Asegure en su lugar con una pequeña perilla abrazadera (17) en cada perno (Figura 6).

NOTA: Para simplificar la instalación de la placa adaptadora de la fresadora y la fresadora, no instale la guía en la mesa de fresado en este momento.

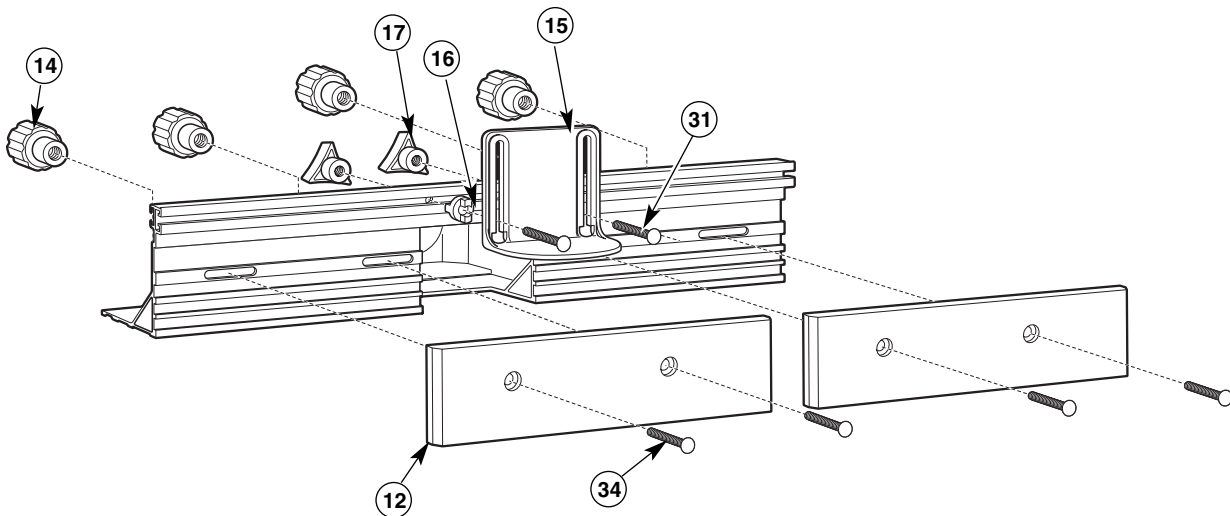
FIG. 5



NOTE: Se incluyen dos cuñas de unión (18) para permitir la compensación correcta de la guía al hacer uniones. Para mayores detalles sobre las operaciones de uniones y la colocación de cuñas, consulte la página 91.



FIG. 6



Montaje de la mesa de fresado

CÓMO INSTALAR LA PLACA DE MONTAJE DE LA FRESADORA

HERRAMIENTAS NECESARIAS (no incluidas)

- Llave Allen (32) (incluida con la mesa de fresado)
- Destornillador de estrella
- Borde recto
- Llave ajustable pequeña

NOTA: Las guías **NO** se deben instalar en la mesa de fresado para los siguientes procedimientos.

INSTALACIÓN PRELIMINAR DE LA PLACA DE MONTAJE DE LA FRESADORA

(FIGS. 7A –7C)

1. Enrosque completamente una tuerca de tope (25) ESNA #10-32 en cada uno de los ocho tornillos de cabeza hueca embutida (29) #10-32 x 3/4" como se muestra en la Fig. 7A. La orientación de la tuerca de tope sobre el tornillo debe ser como se muestra en la Fig. 7A.

NOTA: Sería de gran utilidad utilizar la llave Allen y una llave ajustable debido a que la tuerca tiene roscas de ajuste apretado.

2. Coloque los ocho tornillos y tuercas armados en los ocho bolsillos de forma hexagonal en la hendidura de la parte superior de la mesa como lo muestra la Fig. 7B.

Las roscas del tornillo se deben insertar en los orificios de la parte inferior de los bolsillos.

3. Coloque la placa de montaje de fresado en la abertura en la parte superior de la mesa de forma que descansa sobre las cabezas de los tornillos como se muestra en la Fig. 7B.
4. Coloque un borde recto o nivel a lo largo de la placa de montaje como lo muestra la Fig. 7C. El borde recto debe ser lo suficientemente largo para extenderse por completo sobre la abertura de la parte superior de la mesa de fresado.
5. Inserte la llave Allen (32) a través de los ocho orificios redondos de la placa de montaje, engranando los orificios hexagonales en las cabezas del tornillo (Fig. 7C).
6. Levante y baje la placa de montaje girando los tornillos hasta que el plato adaptador esté a nivel y a la misma altura que la parte superior de la mesa de fresado.
7. Retire la placa de montaje de la parte superior de la mesa.

NOTA: Puede ser necesario hacer leves ajustes después de la instalación final de la placa de montaje de la fresadora.

FIG. 7A

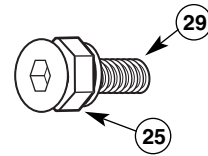


FIG. 7B

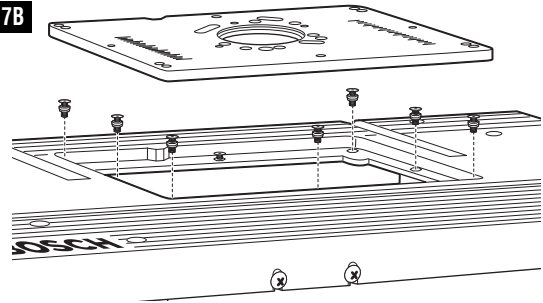
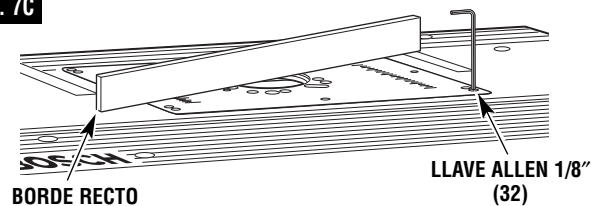


FIG. 7C



Montaje de la mesa de fresado



ADVERTENCIA ANTES DE USAR LA MESA DE FRESADO, CONSULTE EL MANUAL DEL PROPIETARIO DE LA FRESADORA PARA INFORMACIÓN SOBRE LA OPERACIÓN.

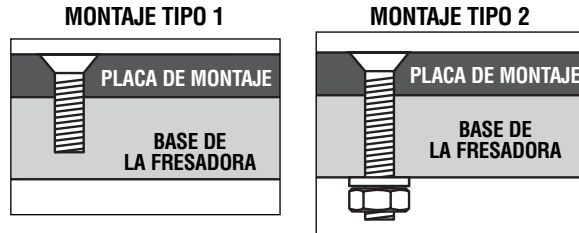
CÓMO ELEGIR EL PATRÓN DE ORIFICIOS DE LA FRESADORA

DETERMINE EL MÉTODO DE MONTAJE A USAR (vea la tabla en la página 77)

Si su modelo de fresadora aparece en la página 77, siga el paso 1 a continuación. Si NO aparece, usted debe comprar una placa adaptadora para fresadora BOSCH RA1186, la cual está disponible por separado.

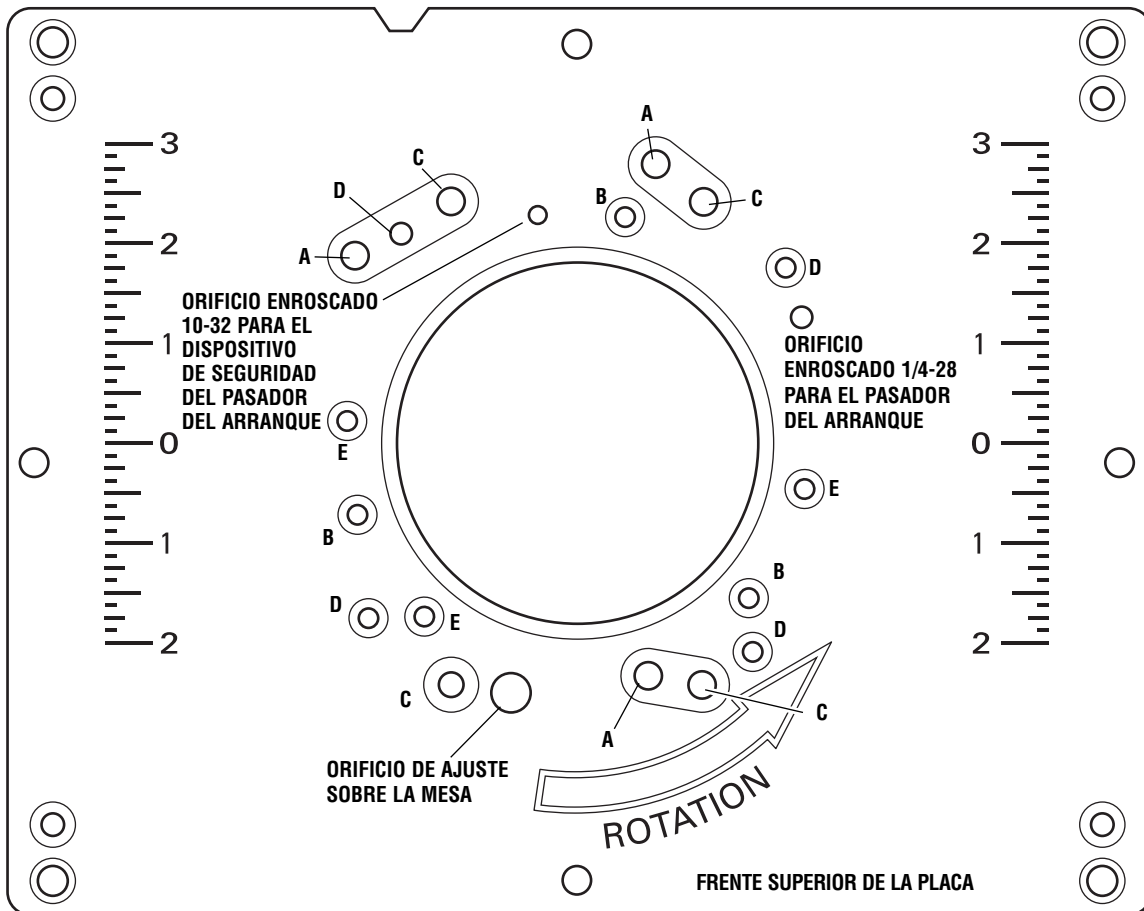
Si su modelo de fresadora aparece en la lista:

1. Determine el patrón de orificios que coincida con el patrón de orificios de montaje para su fresadora.
2. Determine qué tornillos necesita para instalar la fresadora en la placa adaptadora de la fresadora.
3. Determine qué tipo de montaje (1 ó 2) se usa para su modelo de fresadora.



MGUÍA DE LA PLACA DE MONTAJE PARA FRESADORAS COMPATIBLES (FIG. 8)

FIG. 8



Montaje de la mesa de fresado

TABLA 1

Marca de fresadora	Modelo de fresadora	Patrón de orificios	Tornillos necesarios	Tipo de montaje
Bosch	Serie 1613	A	Tornillos de máquina Phillips 1/4-20 x 1½" (36), arandelas (27), y tuercas 1/4-20 (26)	2
Bosch	Serie 1617 (bases fijas únicamente)	B	Tornillos de máquina Phillips 10-24 x 3/4" (37)	1
Bosch	1619EVS	C	Tornillos de máquina Phillips 1/4-20 x 1½" (36), arandelas (27), y tuercas 1/4-20 (26)	2
Craftsman	Más fresadoras Craftsman con portabroca de 1/2"	E	Tornillos de máquina Phillips 5/16-18 x 3/4" (39)	1
DeWalt	DW616, DW618 (base fija únicamente)	B	Tornillos de máquina Phillips 8-32 x 3/4" (38)	1
Hitachi	M12VC	B	Tornillos de máquina Phillips 10-32 x 3/4" (35)	1
Makita	RF1100, RF1101	B	Tornillos de máquina Phillips 10-24 x 3/4" (37)	1
Milwaukee	5615, 5616	B	Tornillos de máquina Phillips 10-24 x 3/4" (37)	1
Porter Cable	Serie 690 fresadora de superficie Serie 892-895 (bases fijas únicamente)	B	Tornillos de máquina Phillips 10-24 x 3/4" (37)	1
Ryobi	R161, R162	E	Tornillos de máquina Phillips 5/16-18 x 3/4" (39)	1

UNA LA FRESADORA A LA PLACA DE MONTAJE (FIGS. 9 y 10)

1. Retire la sub-base plástica de la fresadora (Fig. 9).
2. Si la fresadora tiene su propia campana de extracción de polvo que se instala en la parte superior de la base de metal de la fresadora y desea usarla debajo de la mesa de fresado, este es el momento ideal para instalarla.
3. Siguiendo la tabla 1, determine las piezas y el tipo de montaje para la fresadora.
 - Para la mayoría de modelos de fresadoras, los tornillos se meten en orificios enroscados en la base de la fresadora (montaje tipo 1).
 - Para algunos modelos de fresadoras, los tornillos entran completamente hasta la base y se sujetan con arandelas y tuercas (montaje tipo 2).

La parte superior y delantera de la placa de montaje se determina por la ubicación de los orificios de los pasadores guía. Estos orificios están hacia la derecha de la abertura de la broca.

4. Consulte la guía de la placa de montaje (Fig. 8) en la página 76 y alinee los orificios de la placa de montaje apropiados para la fresadora con los orificios de la base de la fresadora. Verifique que los controles de ajuste de profundidad en la fresadora estén orientados hacia el frente de la placa de montaje.
5. Instale la fresadora en la placa de montaje (Fig. 10).

FIG. 9

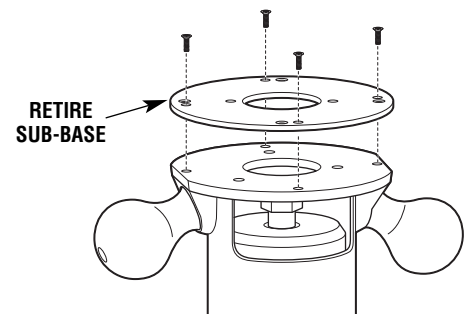
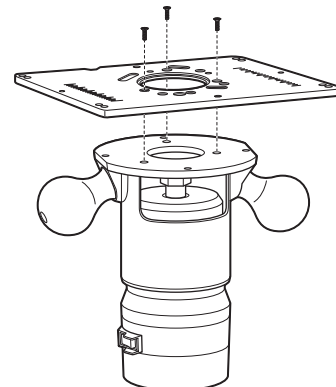


FIG. 10



Montaje de la mesa de fresado

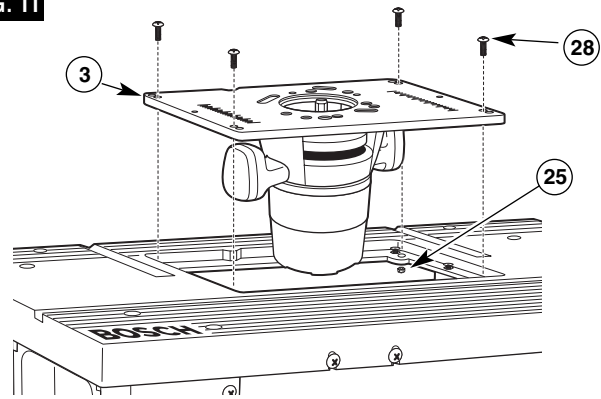
INSTALACIÓN FINAL DE LA PLACA DE MONTAJE DE LA FRESADORA (FIG. 11)

1. Coloque la placa de montaje de la fresadora, con la fresadora unida, sobre los tornillos niveladores en la superficie de la mesa.

NOTA: Tenga cuidado de no atrapar el cable entre la placa de montaje de la fresadora y la superficie de la mesa de fresado.

2. Revise nuevamente la placa de montaje de la fresadora para verificar que esté nivelada. Si es necesario, afloje las tuercas de bloqueo y ajuste los tornillos niveladores con la llave Allen según sea necesario. Una vez que la placa de montaje de la fresadora esté nivelada, vuelva a apretar los tornillos de bloqueo.
3. Asegure la placa de montaje de la fresadora (3) a la mesa con cuatro tornillos de máquina (28) #10-32 x 1" y las tuercas de tope #10-32 (25) (Fig. 11) a través de los orificios de la esquina interior en la placa. Apriete los tornillos firmemente pero no en exceso.

FIG. 11



PARA RETIRAR LA FRESADORA Y / O LA PLACA DE MONTAJE DE LA FRESADORA

Para retirar la fresadora de la placa de montaje, deberá primero retirar la placa de montaje de la fresadora.

LA GUÍA DEBE RETIRARSE DE LA MESA DE FRESADO AL RETIRAR O VOLVER A INSTALAR LA PLACA DE MONTAJE DE LA FRESADORA.

⚠ ADVERTENCIA Siempre asegúrese de que la fresadora o el interruptor **NO ESTÉN CONECTADOS a la corriente eléctrica cuando se esté retirando la fresadora de la mesa de fresado.** La fresadora podría arrancar accidentalmente.

1. Afloje los cuatro tornillos (28) #10-32 x 1" que sostienen la placa de montaje de la fresadora a la superficie de la mesa.
2. Levante la placa de montaje de la fresadora y la fresadora hacia arriba de la superficie de la mesa.
3. Retire los tornillos de máquina embutidos que aseguran la fresadora a la placa de montaje.
4. Verifique que la placa esté nivelada con la mesa. Si es necesario, vuelva a ajustar según se describe en la sección arriba.

AJUSTE DE ALTURA DE SOBREMESA

La placa adaptadora de la fresadora tiene un orificio de acceso para permitir el uso con la función de ajuste de altura de sobremesa en las fresadoras de la serie Bosch 1617. Consulte el manual de la fresadora para información adicional para usar esta función.

Para las fresadoras modelos Porter Cable 892 y 895, y Milwaukee 5615 y 5616, es necesario perforar un orificio de acceso para acomodar el ajuste de la altura de sobremesa:

1. Retire la sub-base de la fresadora y alinee los orificios de montaje en la sub-base con los orificios de montaje correspondientes en la placa adaptadora. Cerciórese de orientar la sub-base de manera que el interruptor de la fresadora quede hacia el frente de la mesa.

2. Con un lápiz o perforadora, marque la ubicación del orificio de ajuste de altura de sobremesa en la placa adaptadora.
3. Retire la sub-base de la placa adaptadora y con cuidado perforo el orificio de ajuste de altura de la sobremesa.
4. Verifique que el orificio acomode la herramienta de ajuste de altura para la fresadora. Retire cualquier rebaba o bordes ásperos con papel lija.

Montaje de la mesa de fresado

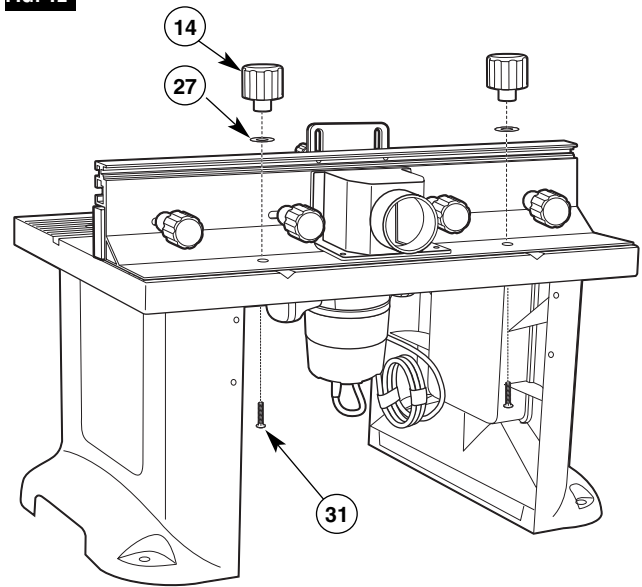
INSTALACIÓN DE LA GUÍA

CÓMO SUJETAR LA GUÍA A LA MESA (FIG. 12)

1. Desde la parte inferior, coloque dos pernos de carruaje de 1/4-20 x 1½" (31) a través de los orificios de la guía, y ajústelos con una arandela grande (27) y una perilla de fijación grande (14).
2. Verifique que la guía se deslice libremente de adelante hacia atrás.

NOTA: Utilice la regla de la superficie de la mesa como referencia al alinear la guía para realizar operaciones de fresado. Una vez que la guía se encuentra ubicada y alineada correctamente, ajuste las perillas de sujeción FIRMEMENTE.

FIG. 12



Montaje de la mesa de fresado

CÓMO MONTAR LA MESA FRESADORA A UNA SUPERFICIE O BANCO DE TRABAJO

⚠ ADVERTENCIA Antes de operar, cerciórese de que toda la unidad (mesa con fresadora instalada) se coloque y se asegure en una superficie sólida, plana, a nivel y que no se incline. Para piezas de trabajo largas o anchas, utilice soportes auxiliares de alimentación hacia dentro y hacia fuera. Las piezas de trabajo largas sin un soporte adecuado pueden voltear la mesa o causar que ésta se incline.

HERRAMIENTAS NECESARIAS (no incluidas)

- Destornillador de estrella
- Llave pequeña ajustable
- Taladro eléctrico o manual con brocas (dependiendo del método de montaje usado)
- Sujetadores (no incluidos):
 - Cuatro tornillos de madera troncocónica de madera #14, #16, ó #18 x 2" (para superficies o bancas sólidas de trabajo en madera), o
 - Cuatro tornillos de máquina de cabeza troncocónica 5/16", arandelas y tuercas hexagonales, o
 - Presillas

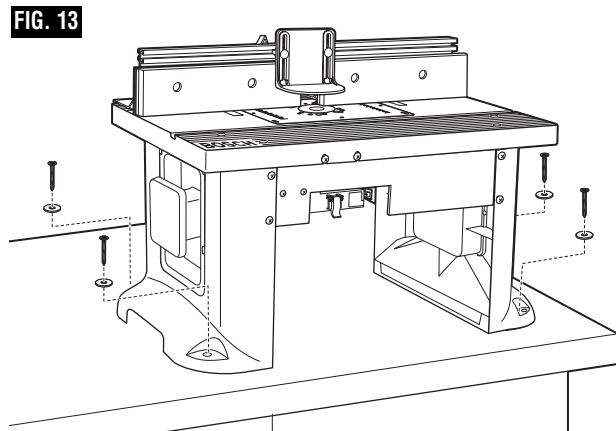
También puede usar la base de piso opcional para la mesa de fresado Bosch RA1190, disponible por separado en la tienda minorista Bosch más cercana.

Características de la base de piso para la mesa de fresado RA1190:

- Coloca la mesa de fresado a la altura de trabajo óptima.
- Tiene almohadillas ajustables para las patas que no se deslizan para nivelar la mesa sobre superficies desniveladas.
- Tiene dos estantes en acero de trabajo pesado para almacenaje.

MÉTODO 1 (FIG. 13)

1. Fije la mesa de fresado en una banca de trabajo o en otra superficie estable y fuerte, con el FRENTE (lado del interruptor) de la mesa de fresado hacia usted.
2. Mientras sostiene la mesa de fresado en la posición deseada, marque la ubicación de los cuatro orificios de montaje (uno en cada esquina).
3. Retire la mesa de fresado de la banca de trabajo y póngala a un lado.
4. Perfore un orificio piloto de 1/8" (para tornillos de madera) o un orificio de tamaño apropiado (para tornillos de máquinas) en los puntos marcados.
5. Coloque la mesa de fresado en la banca de trabajo y alinee los orificios de montaje en las patas de la mesa con los orificios perforados en la banca de trabajo.
6. Asegura la mesa de fresado en su lugar usando tornillos de madera (no incluidos) o tornillos de máquina, arandelas y tuercas (no incluidas). Si usa tornillos de madera, aplicar un poco de jabón a las ranuras hará que sea más fácil atornillarlos en los orificios piloto.
7. APRIETE todos los tornillos FIRMEMENTE.



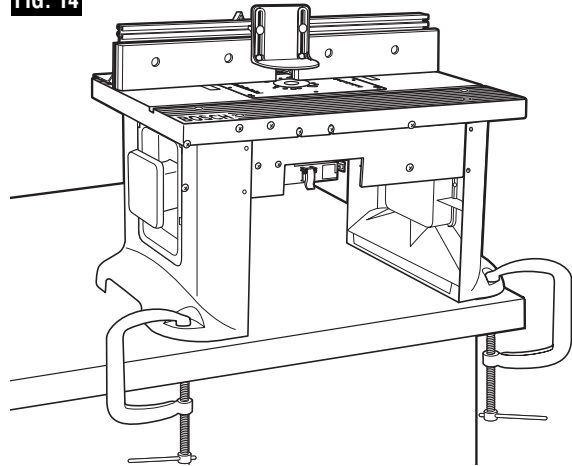
Montaje de la mesa de fresado

MÉTODO 2 (FIG. 14)

1. Fije la mesa de fresado en una banca de trabajo u otra superficie estable y fuerte, con el FRENTE (lado del interruptor) de la mesa de fresado hacia usted.
2. Asegure las patas de la mesa de fresado a la banca de trabajo con presillas, asegurándose de apretarlas FIRMEMENTE.

IMPORTANTE: Asegúrese que colocar las presillas no interfiera con la operación de la mesa de fresado.

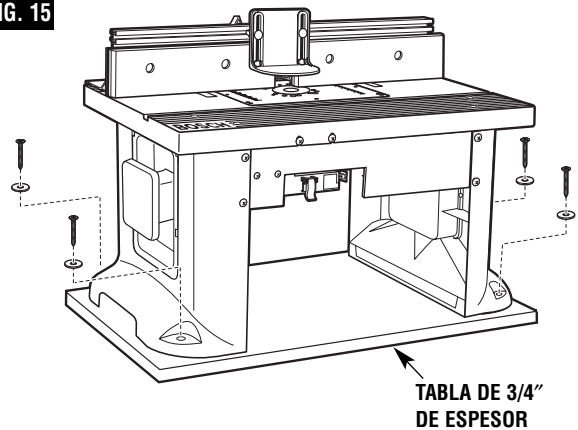
FIG. 14



MÉTODO ALTERNO (FIG. 15)

1. Corte una tabla de 18¼" de ancho por 29" de largo de un pedazo de madera u otro material plano de ¾" de espesor.
2. Fije la mesa de fresado en la tabla, con el FRENTE (lado del interruptor) de la mesa de fresado hacia usted, de manera que el espacio entre las patas de la mesa de fresado y los bordes de la tabla sean iguales en todos los lados.
3. Mientras sostiene la mesa de fresado en la posición deseada, marque la ubicación de los cuatro orificios de montaje (uno en cada esquina).
4. Retire la mesa de fresado de la tabla y póngala a un lado.
5. Perfore un orificio piloto de 1/8" (para tornillos de madera) en los puntos señalados.
6. Coloque la mesa de fresado en la tabla y alinee los orificios de montaje en las patas de la mesa con los orificios perforados en la tabla.
7. Fije la mesa de fresado en su lugar usando tornillos y arandelas de manera (no incluidos). Aplicar un poco de jabón a las ranuras del tornillo hará que sea más fácil atornillarlos en los orificios piloto.
8. APRIETE todos los tornillos FIRMEMENTE.
9. Coloque la mesa de fresado en una banca de trabajo u otra superficie estable y fuerte. Asegure firmemente la tabla a la banca de trabajo con tornillos, presillas u otros medios adecuados.

FIG. 15



Montaje de la mesa de fresado

⚠ ADVERTENCIA SIEMPRE CERCÍÓRESE DE QUE LA FRESADORA ESTÉ APAGADA Y QUE EL CABLE ELÉCTRICO ESTÉ DESCONECTADO ANTES DE HACER CUALQUIER AJUSTE.

ENCASTRES DE LA SUPERFICIE DE LA MESA (FIG. 16):

Esta mesa de fresado viene con tres encastrés de la superficie de la mesa, en los tamaños de agujero siguientes:

- Diámetro de 1" (3) para uso con brocas de la fresadora con diámetros de hasta 7/8"
- Diámetro de 2" (4) para uso con brocas de la fresadora con diámetros de hasta 1 1/8"
- Diámetro de 2 3/4" (5) para uso con brocas de la fresadora con diámetros de hasta 2 5/8"

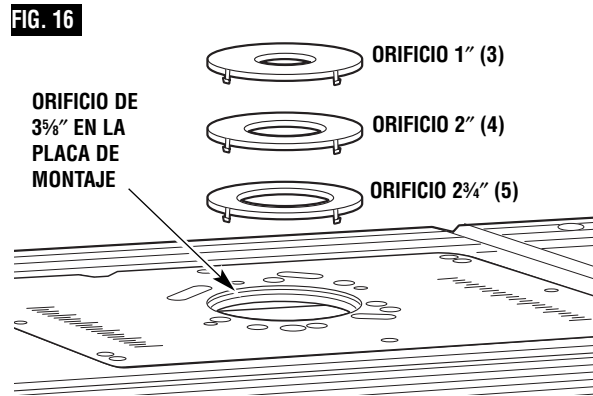
Para brocas de la fresadora con diámetros más 2 5/8" hasta 3 1/2", no utilizar una encastré de la superficie de la mesa.

⚠ ADVERTENCIA Una broca de la fresadora de 3 1/2" es la broca para fresadora MÁS GRANDE que se puede utilizar en esta mesa de fresado.

INSTALACIÓN DE LAS ENCASTRES DE LA SUPERFICIE DE LA MESA (FIG. 16)

1. Seleccionar un encastré de la superficie de la mesa que acomoda la broca de la fresadora que se va a utilizar.
2. Montar la encastré en la placa de montaje de la fresadora mediante presión sobre la agujero grande en la placa de montaje de fresadora, como se muestra en la Figura 16. Si necesario, deslice la guía al posterior de la mesa.
3. Ejercer presión por igual sobre las lengüetas en la encastré, a fin de que las lengüetas encajen en posición.
4. Para quitar, hale hacia arriba suavemente hasta que las lengüetas se liberen. Cuando no esté en uso, guarde los insertos de la superficie de la mesa detrás del panel de almacenamiento en la pata de la mesa o en otro lugar que convenga.

⚠ ADVERTENCIA NO INTENTE retirar los encastrés de la superficie de la mesa a menos que la fresadora esté desenchufada.



Operación de la mesa de fresado

INSTRUCCIONES PARA EL INTERRUPTOR

REQUISITOS ELÉCTRICOS

Un cable de extensión de calibre 14 (o superior) de tres hilos con un receptáculo de conexión a tierra de tres orificios y un enchufe con conexión a tierra de tres orificios se deben usar para conectar el interruptor a una toma eléctrica.

NO SE DEBEN USAR Y SE DEBEN REEMPLAZAR DE INMEDIATO LOS CABLES DE EXTENSIÓN GASTADOS.

El cable eléctrico en la parte posterior del interruptor aceptará ya sea un cable de extensión de tres orificios.

Los receptáculos eléctricos en la parte posterior del interruptor aceptarán ya sea enchufes de dos o tres terminales de una fresadora o accesorio.

En el caso de una falla, la conexión eléctrica ofrece la ruta de menor resistencia para la corriente eléctrica con el fin de reducir el riesgo de choque eléctrico. Esta caja interruptora viene equipada con un cable eléctrico que tiene un conector y un enchufe para conexión a tierra.

El cable de extensión se debe conectar en una toma eléctrica que corresponda, **que haya sido instalada por un electricista con licencia y esté conectada a tierra de acuerdo con todos los códigos y mandatos locales.**

NO modifique el enchufe del interruptor si no se conecta en el cable de extensión. Obtenga un cable de extensión con la toma eléctrica correcta.

La conexión incorrecta del conductor de conexión a tierra del equipo puede resultar en riesgo de choque eléctrico. El conductor con aislamiento que tiene una superficie exterior verde con o sin las rayas amarillas, es el conductor de conexión a tierra del equipo.

NO CONECTE EL CONDUCTOR DE CONEXIÓN A TIERRA DEL EQUIPO A UNA TERMINAL ACTIVA.

Consulte con un electricista con licencia si las instrucciones para conexión a tierra no se entienden claramente o si hay duda respecto a la conexión a tierra correcta de la toma o extensión eléctrica.

⚠ ADVERTENCIA NO PERMITA QUE LOS DEDOS TOQUEN LOS TERMINALES DEL ENCHUFE CUANDO ESTÉ CONECTANDO O DESCONECTANDO.

⚠ ADVERTENCIA SI NO ESTÁ CORRECTAMENTE CONECTADA A TIERRA, UNA HERRAMIENTA ELÉCTRICA PODRÍA PRESENTAR PELIGROS POTENCIALES DE CHOQUE ELÉCTRICO, LO QUE PODRÍA RESULTAR POSIBLEMENTE EN LESIONES CORPORALES O LA MUERTE, particularmente cuando se usa en un lugar húmedo, cerca de tuberías o en exteriores. Si ocurre un choque eléctrico, siempre existe el potencial de un peligro secundario, como que sus manos entren en contacto con la broca de la fresadora, o se caiga o se golpee contra un objeto.

⚠ ADVERTENCIA USE LA CAJA DEL INTERRUPTOR ÚNICAMENTE CUANDO ESTÉ CORRECTAMENTE INSTALADA EN LA MESA DE FRESADO. USE ÚNICAMENTE CON UNA FRESADORA QUE SE HAYA INSTALADO CORRECTAMENTE EN UNA MESA DE FRESADO CORRECTAMENTE ARMADA.

⚠ ADVERTENCIA EL INTERRUPTOR TIENE UNA CALIFICACIÓN DE 15 AMPS. NO SUPERE UNA CALIFICACIÓN TOTAL COMBINADA DE 15 AMPS AL CONECTAR LA FRESADORA Y CUALQUIER ACCESORIO, COMO UNA LUZ O UNA ASPIRADORA DE MOJADO/ SECADO.

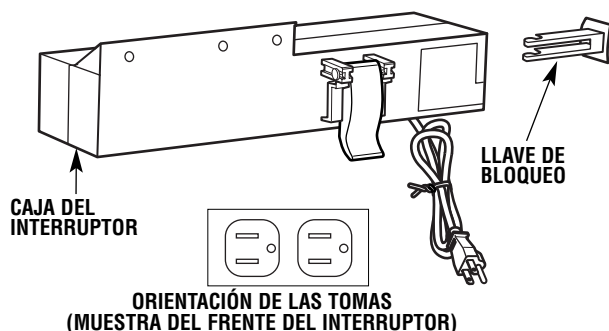
Operación de la mesa de fresado

INFORMACIÓN GENERAL

El interruptor eléctrico está diseñado para uso con la mayoría de las mesas de fresado BOSCH. Brinda la conveniencia de un interruptor de ON/RESET (encendido/ reiniciar)- OFF (apagado) al frente de la mesa, eliminando así la necesidad de alcanzar por debajo de la mesa para encender o apagar la fresadora.

El interruptor eléctrico también ofrece un control simultáneo de encendido y apagado de un accesorio adicional, como una lámpara, aspiradora de secado/ mojado, etc. El interruptor tiene un disyuntor de circuitos para reiniciado que brinda protección contra sobrecargas.

FIG. 17



CÓMO CONECTAR EL CABLE ELÉCTRICO DE LA FRESADORA AL INTERRUPTOR

⚠ ADVERTENCIA

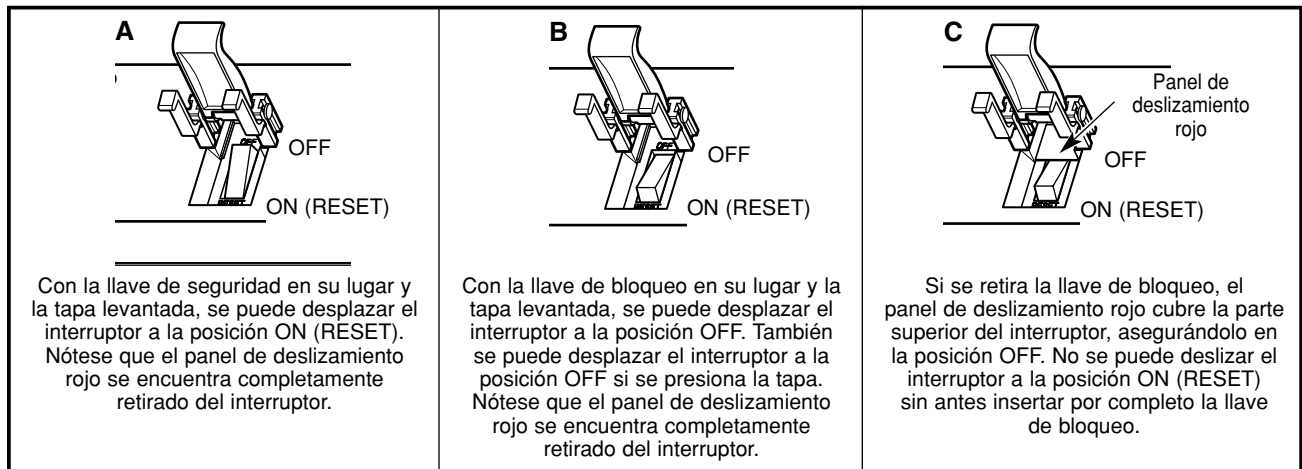
- **CERCIÓRESE DE QUE EL CABLE ELÉCTRICO DEL INTERRUPTOR NO ESTÉ CONECTADO EN LA TOMA ELÉCTRICA EN ESTE MOMENTO. SI LO ESTÁ, DESCONÉCTELO.**
 - **CERCIÓRESE DE QUE EL INTERRUPTOR DE LA FRESADORA ESTÉ EN LA POSICIÓN DE APAGADO.**
1. Conecte el cable eléctrico de la fresadora en una de las tomas eléctricas en la parte posterior de la caja del interruptor.
 2. Enrolle el cable sobrante.
 3. Envuelva dos pedazos de cinta de fricción o cable fuerte alrededor del cable enrollado en ambos extremos del rollo.
 4. Deje cierta holgura de manera que el cable no se estire cuando se conecte en las tomas eléctricas de la caja del interruptor.
 5. Si así lo desea, en este momento puede enchufar el cable eléctrico de un accesorio, como una aspiradora de secado/mojado o una luz eléctrica, en la otra toma ubicada en la parte trasera de la caja del interruptor.

⚠ ADVERTENCIA

CERCIÓRESE DE QUE LOS CABLES ELÉCTRICOS DE LA FRESADORA, LOS ACCESORIOS, LA CAJA DEL INTERRUPTOR Y EL CABLE DE EXTENSIÓN NO ESTÉN Y NO TENGAN POSIBILIDAD DE ENTRAR CONTACTO CON LA FRESADORA O CUALQUIERA DE LAS PARTES EN MOVIMIENTO DE LA FRESADORA.

- **Este interruptor tiene una calificación de 15 amperios y está diseñado únicamente para encender y apagar la fresadora y los accesorios conectados como una aspiradora de secado/mojado.**

Operación de la mesa de fresado



OPERACIÓN DEL INTERRUPTOR

Esta sección explica la operación y las características del interruptor antes de conectar el cable eléctrico al cable de extensión. La intención es familiarizar al usuario con la operación del interruptor sin tener que poner en funcionamiento la fresadora.

El interruptor incorpora dos características positivas muy útiles a fin de prevenir el encendido accidental de la fresadora y el uso sin autorización de personas no capacitadas.

- Hay una tapa transparente que cubre el interruptor que sirve para prevenir el encendido accidental de la fresadora. Esta tapa permite ver una pequeña luz roja en el botón del interruptor cuando éste se encuentra en posición de encendido. Si se presiona la tapa, el interruptor puede apagarse rápidamente.
- La luz está prendida cuando el interruptor está encendido.
- La luz está apagada cuando el interruptor está apagado.
- La llave de bloqueo debe estar **completamente** insertada en el costado de la caja del interruptor antes de que el interruptor pueda encenderse.

Para operar el interruptor:

ANTES DE CONTINUAR, ASEGÚRESE DE QUE EL CABLE DE EXTENSIÓN NO SE ENCUENTRE CONECTADO A UNA TOMA ELÉCTRICA.

1. Inserte la llave de bloqueo en el costado de la caja del interruptor. Ver la Figura 17 a la página 84.
2. Para encender la fresadora, levante la tapa del interruptor y desplace el botón a la posición ON (RESET). Ver la imagen A, en la parte superior.
Baje la tapa del interruptor suavemente. Si deja caer la tapa del interruptor puede provocar el apagado del interruptor.
3. Para apagar la fresadora, presione la tapa del interruptor. El botón del interruptor debe estar en la posición OFF, como se ejemplifica en la imagen B.

⚠ ADVERTENCIA SIEMPRE PRESTE ATENCIÓN A LA FRESADORA MIENTRAS SE ENCUENTRA EN FUNCIONAMIENTO O ANTES DE QUE SE DETENGA POR COMPLETO.

4. Para bloquear el interruptor en la posición de apagado, presione la tapa a fin de apagar el interruptor y retire la llave de bloqueo por completo del costado de la caja del interruptor. El panel de deslizamiento rojo debe cubrir la parte superior del interruptor, como se ve en la imagen C.

Si se ha retirado la llave de bloqueo y el panel de desplazamiento rojo cubre la parte superior del botón del interruptor, el interruptor **NO PUEDE** desplazarse a la posición de encendido.

Operación de la mesa de fresado

⚠ ADVERTENCIA ANTES DE SEGUIR ADELANTE, CERCÍOARSE DE QUE EL INTERRUPTOR EN LA FRESADORA ESTÉ EN LA POSICIÓN DE APAGADO Y LA PALANCA DEL INTERRUPTOR ESTÉ EN LA POSICIÓN DE APAGADO.

El cable eléctrico del interruptor se puede conectar en este momento en el cable de extensión.

⚠ ADVERTENCIA CERCÍOARSE DE QUE LOS CABLES ELÉCTRICOS DE LA FRESADORA, LOS ACCESORIOS, LA CAJA DEL INTERRUPTOR Y EL CABLE DE EXTENSIÓN NO ESTÉN Y NO TENGAN POSIBILIDAD DE ENTRAR EN CONTACTO CON LA FRESADORA O NINGUNA PARTE EN MOVIMIENTO DE LA FRESADORA.

OPERACIÓN DE LA FRESADORA Y DEL INTERRUPTOR

Esta sección explica la operación del interruptor con el cable eléctrico conectado en el cable de extensión.

La fresadora se encenderá cuando el interruptor alternador se alterne a la posición de encendido (ON) (RESET).

1. Coloque el interruptor ON/OFF en la fresadora en la posición de encendido (ON). En ciertas fresadoras esto requerirá el uso del activador del interruptor y del botón "LOCK-ON" (bloqueo). (Consulte el manual del propietario de la fresadora). **Cerciórese de que el interruptor en la caja del interruptor está en la posición de apagado al hacer esto.**
2. Para encender la fresadora, levante la tapa del interruptor y alterne el interruptor a la posición de encendido (ON). Ver A en la página 85.
3. Para apagar la fresadora, presione la tapa del interruptor. Ver B en la página 85.

⚠ ADVERTENCIA NUNCA DEJE LA FRESADORA SIN ATENCIÓN MIENTRAS ESTÉ OPERANDO O ANTES DE QUE PARE POR COMPLETO.

NOTA: En el evento de una sobrecarga, el disyuntor de circuitos del interruptor interno saltará el interruptor a la posición de apagado (OFF). Esto interrumpirá la corriente hacia la fresadora y hacia cualquier accesorio conectado al interruptor mismo.

Si esto ocurre, siga estos pasos:

1. Desconecte el cable del interruptor del cable de extensión.
2. Retire la pieza de trabajo de la mesa de fresado.
3. Corrija la causa de la situación de sobrecarga (es decir, retirar demasiado material o trabajar a una velocidad de alimentación muy alta).
4. Conecte el cable eléctrico del interruptor en el cable de extensión.
5. Reinicialice la fresadora como se describe en la sección **OPERACIÓN DE LA FRESADORA Y DEL INTERRUPTOR.**

CUANDO LA MESA DE FRESADO NO ESTÉ EN USO

1. Alterne el interruptor a la posición de apagado (OFF).
2. Retire la llave de bloqueo.
3. **Almacene la llave de bloqueo en una ubicación segura donde no esté disponible para los niños u otras personas no autorizadas.**
4. Desconecte el cable eléctrico del cable de extensión.
5. Retire la broca de fresado de la fresadora.
6. Coloque la ensambladura portabrocas de la fresadora por debajo de la parte superior de la mesa de fresado.

NOTA: Si la llave se perdiera o se dañara, puede adquirir llaves de reposición en su tienda BOSCH más cercana.

Operación de la mesa de fresado

CÓMO INSTALAR UNA ASPIRADORA SECA/HÚMEDA

INSTALACIÓN UNA ASPIRADORA SECA / HÚMEDA

El conjunto de recolección de polvo/tapa tiene un puerto para conectar una manguera de aspiración húmeda / seca con una boquilla de 2½". Para unirla, simplemente presione la boquilla al puerto mientras sostiene el conjunto de la guía en su lugar.

PRECAUCIÓN

Operar la mesa de fresado sin una aspiradora húmeda/seca puede resultar en una acumulación excesiva de aserrín y astillas de madera debajo del conjunto de la guía y tapa superior, reduciendo el rendimiento de la mesa de fresado y el conjunto de la guía.

RECOMENDACIÓN: Para maximizar el rendimiento, sin importar si se usa una aspiradora húmeda / seca, retire el aserrín y las astillas de la parte de abajo del conjunto de la guía y tapa superior según sea necesario.

RECOMENDACIÓN: Es una buena práctica mantener el área de trabajo limpia. Según sea necesario, retire el aserrín y las astillas acumulados de la superficie de la mesa de fresado, así como del área circundante de trabajo y del piso.

ADVERTENCIA

¡ASEGÚRESE DE QUE LA FRESADORA ESTÉ APAGADA Y DESCONECTADA AL HACERLO!

CÓMO INSTALAR LA BROCA DE LA FRESADORA (CORTADOR)

ADVERTENCIA

Siempre cerciórese de que la fresadora esté APAGADA y el cable eléctrico esté DESCONECTADO antes de hacer cualquier ajuste.

Instale la broca de fresado según las instrucciones que se incluyen con la fresadora. Dada la gran variación de las brocas de la fresadora, es posible que ciertas brocas no operen siempre de la forma deseada con esta mesa de fresado.

Para asegurar que la mayoría de las brocas comunes tengan un desempeño satisfactorio, instale la broca de manera que el portabrocas de la fresadora encaje 3/4" de la espiga de la broca de fresado. Si la espiga de la broca de fresado se sale del portabrocas, retroceda la broca de la fresadora aproximadamente 1/16" para permitir apretarla correctamente.

NUNCA INSTALE BROCAS DE FRESADO CON MENOS DE 3/4" DE ENCAJE DE LA ESPIGA EN EL PORTABROCAS.

Operación de la mesa de fresado

CÓMO ARMAR LA LAS TABLAS DE BISELADO (FIGS. 18–20)

NOTA: El costado superior/ delantero de cada tabla de biselado está marcada para indicar la dirección correcta de alimentación.

Tabla de biselado de la guía (Figs. 18 y 19)

1. Inserte dos pernos de carruaje 1/4-20 x 1½" (31) a través de los orificios ranurados en la tabla de biselado (19). Ver Figura 18.
2. Deslice una arandela grande (27) en cada perno de carruaje y enrosque una pequeña perilla abrazadera (17) tres o cuatro giros en cada perno de carruaje.
3. Para instalar en la guía, deslice un espaciador (16) sobre la cabeza de cada perno de carruaje, alinee las lengüetas en el espaciador con la ranura en la tabla de biselado (Fig. 19). Luego, deslice las cabezas de los pernos de carruaje en la ranura en T en la parte superior de la guía.

Tabla de biselado para la superficie de la mesa (Fig. 20)

1. Inserte dos pernos de carruaje 1/4-20 x 1½" (31) a través de los orificios ranurados en la tabla de biselado (19).
2. Deslice una arandela grande (27) en cada perno de carruaje y enrosque una pequeña perilla abrazadera (17) tres o cuatro giros en cada perno de carruaje.
3. Para instalar la tabla de biselado en el canal de inglete sobre la superficie de la mesa, inserte las cabezas de los pernos de carruaje en el par de ranuras de bocallave que desee sobre la superficie de la mesa (ubicados en el canal de inglete). Luego apriete las perillas abrazaderas firmemente.

FIG. 18

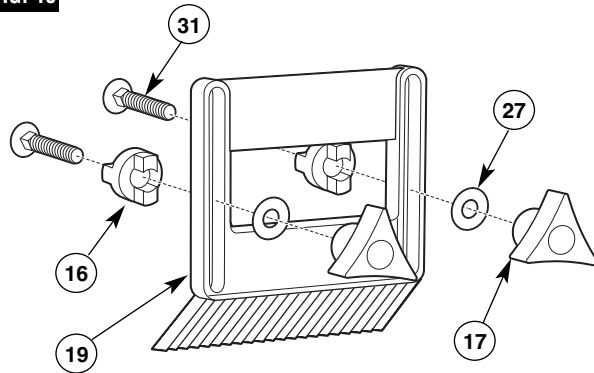


FIG. 19

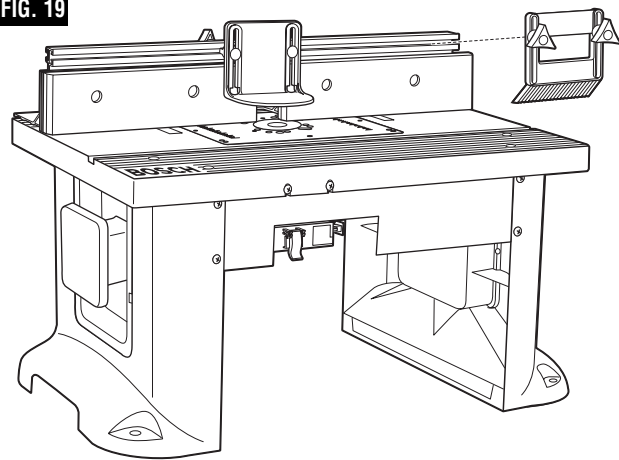
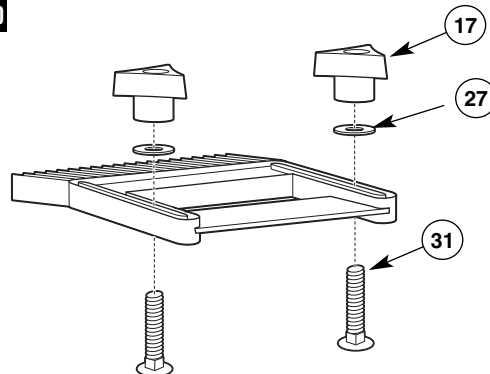


FIG. 20



Operación de la mesa de fresado

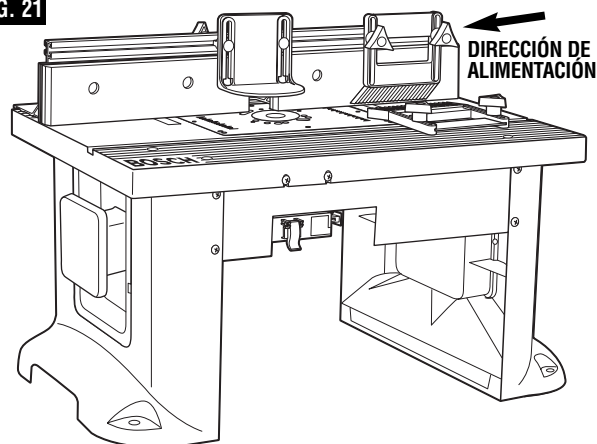
CÓMO FRESAR UTILIZANDO TABLAS DE BISELADO (FIG. 21)

Las tablas de biselado son de utilidad para controlar la pieza de trabajo mientras se realiza el trabajo de fresado, y sirven para mantener la pieza de trabajo plana sobre la mesa. La tabla de biselado de la superficie de la mesa, en combinación con la tabla de biselado de la guía ayuda a mantener la pieza de trabajo presionada contra la guía y la superficie de la mesa. La mejor ubicación para las tablas de biselado varía según la aplicación, el tamaño de la pieza de trabajo y otros factores.

1. Sin apretar, instale la(s) tabla(s) de biselado(s) según se describe en la página 88.
2. Coloque la pieza de trabajo en la mesa de fresado de manera que quede cuadrada contra la guía.
3. Coloque ambas tablas de biselado cómodamente contra la pieza de trabajo y apriete las perillas abrazaderas.
4. La pieza de trabajo se debe mover con cierta resistencia pero sin necesidad de un gran esfuerzo.
5. Para piezas de trabajo más anchas, no se puede usar la tabla de biselado de la superficie de la mesa. La segunda tabla de biselado también se puede posicionar en la guía, si se desea.

Se pueden adquirir tablas de biselado adicionales, modelo RA1187 a través de la tienda minorista Bosch más cercana.

FIG. 21



ADVERTENCIA

- Las tablas de biselado son de gran ayuda para mantener la pieza de trabajo en su lugar cuando se realiza el fresado.
- NO deben utilizarse para sostener la pieza de trabajo en su lugar cuando la misma está en contacto con la broca o en cualquier otro momento en que ésta se encuentre girando.
- NUNCA suelte la pieza de trabajo cuando está fresando con tablas de biselado hasta que se haya finalizado el corte y la pieza de trabajo ya no esté en contacto con la broca.

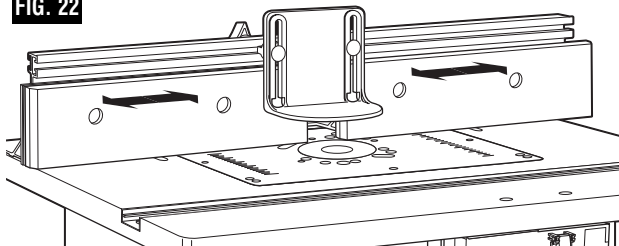
ADVERTENCIA PARA LOGRAR PRECISIÓN DURANTE EL FRESADO Y MEJORAR EL CONTROL, LA PIEZA DE TRABAJO DEBE SOSTENERSE CONTRA LA MESA DE FRESADO.

CÓMO AJUSTAR EL REFRENTADO DE LA GUÍA (FIG. 22)

Las caras derecha e izquierda de la guía se encuentran sujetas a la cara frontal de la guía de la mesa fresadora, y se las puede ajustar hacia adentro o hacia fuera desde la broca de la fresadora a fin de permitir espacios adecuados para brocas de distintos tamaños. Para obtener la mejor sujeción durante las operaciones de fresado, los refrentados de la guía deben ubicarse lo más cerca posible de la broca, sin llegar a entrar en contacto con la misma (normalmente ca. 1/4" de la broca).

1. Afloje las dos perillas de sujeción en la parte posterior del refrentado de la guía y coloque las caras hacia adentro o hacia fuera desde la broca de la fresadora, según sea necesario.

FIG. 22



ADVERTENCIA ASEGÚRESE SIEMPRE DE QUE LA GUÍA, EL REFRENTADO DE LA GUÍA Y EL PROTECTOR NO ENTREN EN CONTACTO CON LA BROCA. SI NO LO HACE, PUEDE PROVOCAR DAÑOS A LA MESA FRESADORA Y RECIBIR HERIDAS GRAVES.

2. Una vez que el refrentado de la guía se encuentra en la posición deseada, ajuste las perillas de sujeción FIRMEMENTE.

Operación de la mesa de fresado

CÓMO AJUSTAR LA PROFUNDIDAD Y LA ALTURA DEL CORTE (FIG. 23)

1. Seleccione una tabla suave y recta, con buenos bordes cuadrados.
2. Marque las líneas "A" y "B" en el extremo de la tabla, como aparece en el detalle 23.
 - La línea "A" indica la *altura de corte deseada*.
 - La línea "B" indica la *profundidad de corte deseada*.
 - El área delineada por "A", "B" y el borde de la tabla es el área que se va a cortar.
3. Si puede lograrse la profundidad de corte deseada en una sola pasada, desajuste las perillas de fijación de la guía y desplace la guía hacia delante o hacia atrás hasta que el filo exterior de la broca se encuentre alienado con la línea "B". Puede ser necesario tener que volver a colocar el protector a fin de brindar un acceso más fácil.

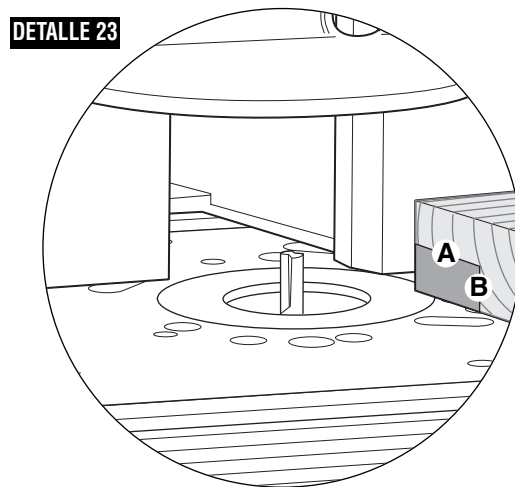
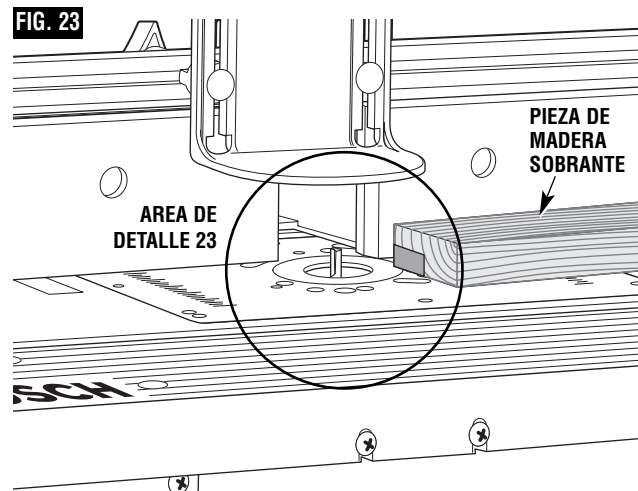
NOTA: Si desea realizar cortes más profundos, NO lo intente de una sola pasada. Realice varias pasadas menos profundas, y de manera progresiva desplace la guía hacia atrás hasta alcanzar la profundidad de corte deseada.

4. Revise nuevamente que la guía esté paralela a la ranura de la barra de inglete, luego apriete FIRMEMENTE ambas perillas abrazaderas de la guía.

ADVERTENCIA SIEMPRE CERCÍESE DE QUE LA GUÍA Y EL DISPOSITIVO DE SEGURIDAD NO PUEDAN ENTRAR EN CONTACTO CON LA BROCA DE FRESADO. NO HACERLO RESULTARÁ EN DAÑOS A LA MESA DE FRESADO Y PODRÍA CAUSAR LESIONES PERSONALES.

5. Siguiendo las instrucciones que vienen con la fresadora, ajuste la altura de corte de la fresadora hasta que la parte superior de la broca de la fresadora se alinee con la línea "A".
6. Una vez se realicen todos los ajustes, verifique que:
 - La fresadora esté FIRMEMENTE apretada en la base de la fresadora.
 - La broca de la fresadora esté FIRMEMENTE apretada en el portabrocas de la fresadora, con al menos 3/4" de enganche de la espiga.
 - La base de la fresadora esté FIRMEMENTE apretada a la parte superior de la mesa de fresado.
7. Retire la plancha de la mesa.

NOTA: Al hacer los ajustes, use una pieza de madera sobrante para hacer los cortes de ensayo antes de hacer el corte con la pieza de trabajo real.



Operación de la mesa de fresado

CORTE O UNIÓN DEL BORDE COMPLETO (FIGS. 24 y 25)

Para una mayor fuerza y exactitud, las tablas a unirse deben estar lisas y cuadradas. Los bordes deben estar alineados con las superficies de la pieza de trabajo. Se pueden nivelar los bordes mediante el uso de una mesa de fresado con una **broca recta**.

NOTA: la cuña de empalme puede utilizarse para otorgar un soporte continuo a la pieza de trabajo a medida que se alimenta la broca de la fresadora.

ADVERTENCIA SIEMPRE CERCÍORSE DE QUE LA FRESADORA ESTÉ APAGADA Y QUE EL CABLE ELÉCTRICO ESTÉ DESCONECTADO ANTES DE REALIZAR CUALQUIER AJUSTE.

1. Afloje las perillas abrazaderas en el refrentado izquierdo de la guía.
2. Alinee la ranura en la(s) cuña(s) de unión con los orificios en el refrentado de la guía, y deslice la(s) cuña(s) de unión entre la guía y el refrentado izquierdo de la guía (Fig. 24).
Use una cuña de unión para una compensación de $1/16''$, o ambas cuñas de unión para una compensación de $1/8''$.
3. Instale una broca recta en la fresadora.
4. Coloque los dos refrentados de la guía de modo que estén a una distancia de $1/4''$ de la broca.
5. Ajuste las cuatro perillas de fijación que sostienen en su lugar a los refrentados de la guía.
6. Coloque una regla o un pedazo de madera plano sobre la mesa para que se apoye sobre el refrentado de la guía izquierda.
7. Desplace la guía hacia atrás hasta que la regla se alinee con el borde de corte de la broca y todavía se encuentre en contacto con el refrentado de la guía izquierda.
8. Ajuste las perillas de fijación.
9. Retire la regla o madera plana.
10. Ajuste la altura de la broca de modo que pueda cortar el espesor total de la pieza de trabajo.
11. Coloque las tablas de biselado, si se desea. Consulte la sección CÓMO FRESAR UTILIZANDO TABLAS DE BISELADO, en la página 89.
12. Retire la tabla de la mesa y **baje la protección superior hasta la posición de operación. Ajuste las perillas de fijación de seguridad FIRMEMENTE.**
NOTA: Al hacer ajustes, utilice una pieza de madera sobrante para realizar cortes de prueba antes de llevar a cabo el corte con la pieza de trabajo real.
13. Cercíorese de que tanto la fresadora como la caja del interruptor estén apagadas (OFF), luego conecte la fresadora en la caja del interruptor.

FIG. 24

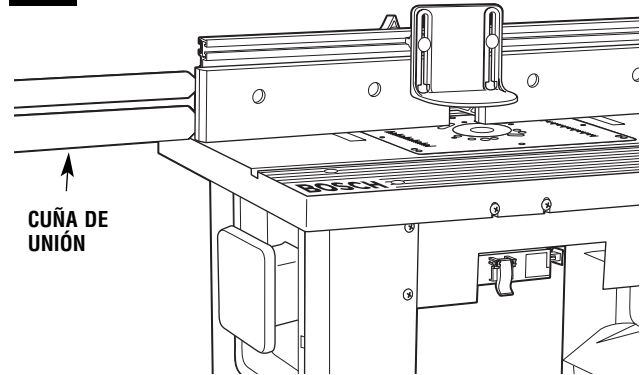
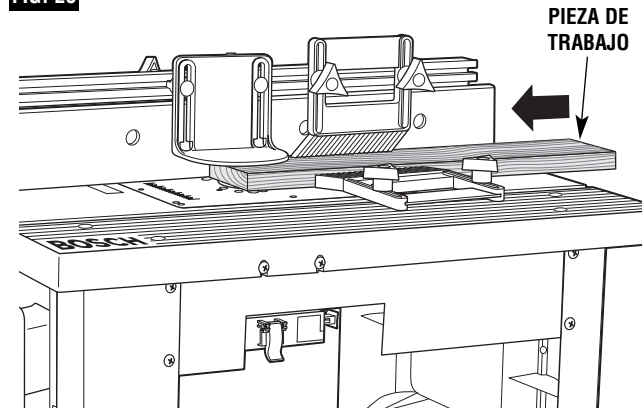


FIG. 25



14. **Mientras sostiene firmemente una pieza de sobrante de madera contra la guía y hacia abajo contra la mesa de fresado**, alimente una pieza sobrante de madera hacia la broca en la dirección que indica la flecha en la Fig. 25.
15. Usando la caja del interruptor, apague la fresadora. Si se necesita algún ajuste, desconecte la fresadora y repita los pasos 6 a 11 hasta que todos los ajustes estén correctos. Una vez esté satisfecho con todos los niveles, haga el corte con la pieza de trabajo verdadera.

Operación de la mesa de fresado

CORTE DE LOS BORDES CON BROCAS DE FRESADO NO PILOTEADAS (FIGS. 26 y 27)

ADVERTENCIA SIEMPRE CERCÍOARSE DE QUE LA FRESADORA SE APAGUE Y EL CABLE ELÉCTRICO ESTÉ DESCONECTADO ANTES DE HACER CUALQUIER AJUSTE.

NOTA: Si la cuña de empalme se encuentra instalada, retírela antes de comenzar a trabajar.

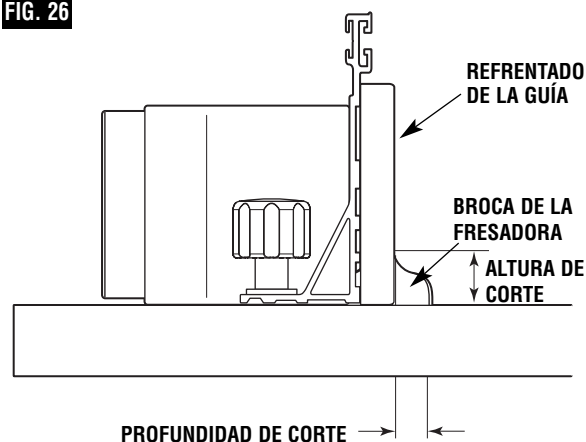
Cuando use brocas de fresado no piloteadas, debe utilizar la guía para establecer la profundidad de corte. Para hacer cortes profundos, no intente cortar la profundidad total de una sola pasada. Repita el movimiento, dando pequeños cortes.

1. Instale la broca deseada en la fresadora.
2. Siga las instrucciones de la página 90 a fin de establecer la profundidad y altura de corte deseadas (Fig. 26). Asegúrese de que la guía y la fresadora estén **FIRMEMENTE** en su lugar.
3. Coloque los dos refrentados de la guía de modo que estén a una distancia de 1/4" de la broca.
4. Ajuste las cuatro perillas de fijación que sostienen los refrentados de la guía en su lugar.
5. Coloque las tablas de biselado, si se desea. Consulte la sección **CÓMO FRESAR UTILIZANDO TABLAS DE BISELADO**, en la página 89.
6. Retire la tabla de la mesa y **baje la protección superior hasta la posición de operación. Ajuste las perillas de fijación de seguridad FIRMEMENTE.**

NOTA: Al hacer ajustes, utilice una pieza de madera sobrante para realizar cortes de prueba antes de llevar a cabo el corte con la pieza de trabajo real.

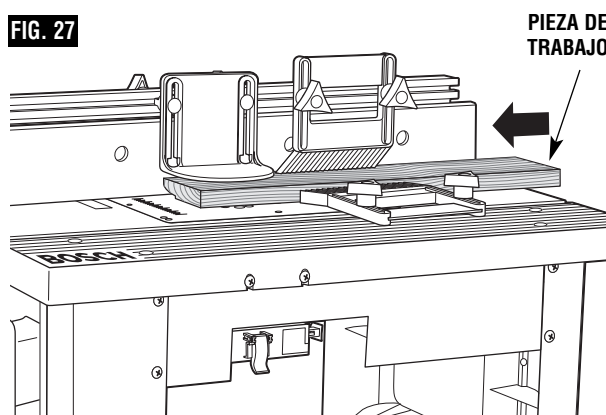
7. Cerciórese de que tanto la fresadora como la caja del interruptor estén apagadas (OFF), luego conecte la fresadora en la caja del interruptor.
8. **Mientras sostiene firmemente una pieza de sobrante de madera contra la guía y hacia abajo contra la mesa de fresado**, alimente una pieza sobrante de madera hacia la broca en la dirección que indica la flecha en la Fig. 27.
9. Usando la caja del interruptor, apague la fresadora. Si se necesita algún ajuste, desconecte la fresadora y repita los pasos 2 a 8 hasta que todos los ajustes estén correctos. Una vez esté satisfecho con todos los niveles, haga el corte con la pieza de trabajo verdadera.

FIG. 26



La protección de seguridad no aparece para facilitar la claridad de visión.

FIG. 27



Operación de la mesa de fresado

CORTE DE LOS BORDES CON BROCAS DE FRESADO PILOTEADAS (FIGS. 28 y 29)

ADVERTENCIA SIEMPRE CERCÍOARSE DE QUE LA FRESADORA SE APAGUE Y EL CABLE ELÉCTRICO ESTÉ DESCONECTADO ANTES DE HACER CUALQUIER AJUSTE.

NOTA: Si la cuña de empalme se encuentra instalada, retírela antes de comenzar a trabajar.

1. Instale la broca piloteada que desee en la fresadora.
 2. Siga las instrucciones de la página 90 para establecer la altura de corte deseada (Fig. 28). Asegúrese de que la fresadora se encuentre FIRMEMENTE en su lugar.
 3. Ajuste la guía de la mesa fresadora hacia atrás de modo que el piloto de la broca de fresado pueda controlar la profundidad de corte. El piloto de la broca de fresado debe apenas sobresalir los refrentados de la guía. Ajuste las perillas de fijación de la guía FIRMEMENTE.
 4. Coloque los dos refrentados de la guía de modo que estén a una distancia de 1/4" de la broca.
 5. Ajuste las cuatro perillas de fijación que sostienen los refrentados de la guía en su lugar.
 6. Retire la tabla de la mesa y **baje la protección superior hasta la posición de operación. Ajuste las perillas de fijación de seguridad FIRMEMENTE.**
- NOTA:** Al hacer ajustes, utilice una pieza de madera sobrante para realizar cortes de prueba antes de llevar a cabo el corte con la pieza de trabajo real.
7. Cerciórese de que tanto la fresadora como la caja del interruptor estén apagadas (OFF), luego conecte la fresadora en la caja del interruptor.
 8. **Mientras sostiene firmemente una pieza de sobrante de madera contra la guía y hacia abajo contra la mesa de fresado,** alimente una pieza sobrante de madera hacia la broca en la dirección que indica la flecha en la Fig. 29.
 9. Usando la caja del interruptor, apague la fresadora. Si se necesita algún ajuste, desconecte la fresadora y repita los pasos 2 a 8 hasta que todos los ajustes estén correctos. Una vez esté satisfecho con todos los niveles, haga el corte con la pieza de trabajo verdadera.

FIG. 28

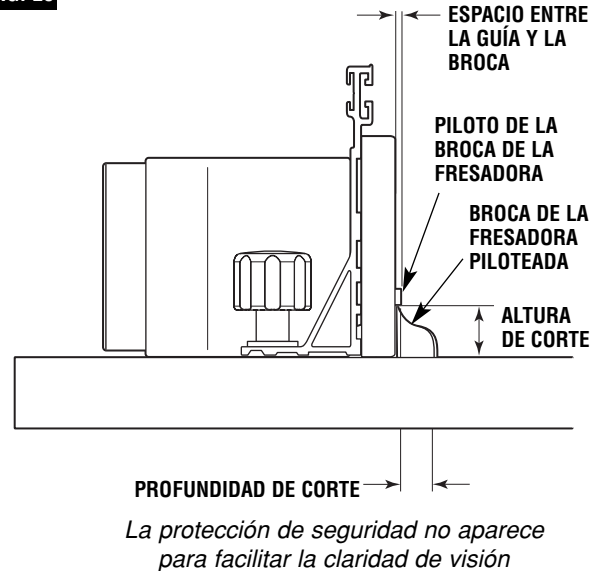
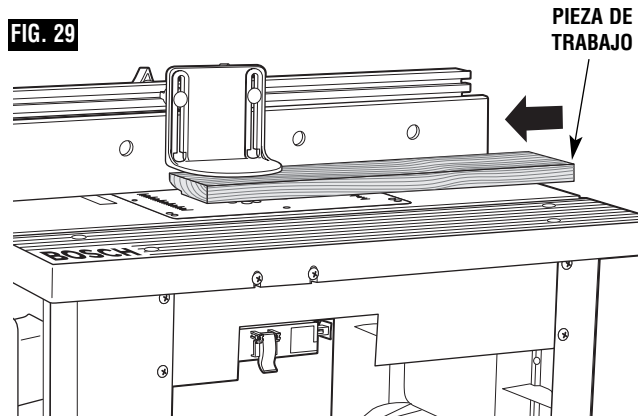


FIG. 29



Operación de la mesa de fresado

RANURAS, ACANALADURAS Y VETAS (FIGS. 30 y 31)

ADVERTENCIA SIEMPRE CERCÍOARSE DE QUE LA FRESADORA SE APAGUE Y EL CABLE ELÉCTRICO ESTÉ DESCONECTADO ANTES DE HACER CUALQUIER AJUSTE.

NOTA: Si la cuña de empalme se encuentra instalada, retírela antes de comenzar a trabajar.

Para estas operaciones de fresado, se recomienda la utilización de tablas de biselado y de un zapato empujador.

Para obtener los mejores resultados y alcanzar la mayor precisión, el lado de la pieza de trabajo que se ubicará contra la guía debe estar completamente apoyado y derecho.

Si está utilizando una aspiradora de mojado/secado, debe conectarla al puerto de vacío ubicado en la parte posterior del gabinete de la mesa.

1. Instale la broca de corte de extremo deseada en la fresadora.
2. Siga las instrucciones de la página 90 para establecer la profundidad de corte (ubicación del corte) y altura de corte deseadas (Fig. 30). Asegúrese de que la guía y la fresadora se encuentren FIRMEMENTE en su lugar.

IMPORTANTE: Para hacer cortes profundos, no intente cortar la profundidad total (controlada por la altura de broca de la fresadora) de una sola pasada. Repita el movimiento, dando pequeños cortes hasta lograr la profundidad deseada.

3. Ubique los dos refrentados de la guía de modo que otorguen un soporte continuo a la pieza de trabajo.
4. Ajuste las cuatro perillas de fijación que sostienen a los refrentados de la guía en su lugar.
5. Coloque las tablas de biselado, si se desea. Consulte la sección CÓMO FRESAR UTILIZANDO TABLAS DE BISELADO, en la página 89.
6. Retire la tabla de la mesa y **baje la protección superior hasta la posición de operación. Ajuste las perillas de fijación de seguridad FIRMEMENTE.**

NOTA: Al hacer ajustes, utilice una pieza de madera sobrante para realizar cortes de prueba antes de llevar a cabo el corte con la pieza de trabajo real.

7. Cerciórese de que tanto la fresadora como la caja del interruptor estén apagadas (OFF), luego conecte la fresadora en la caja del interruptor.

FIG. 30

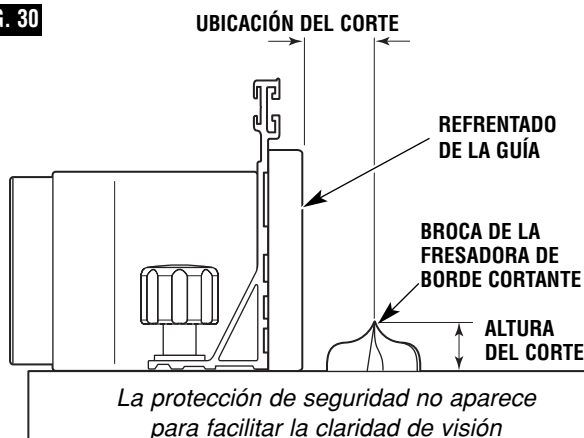
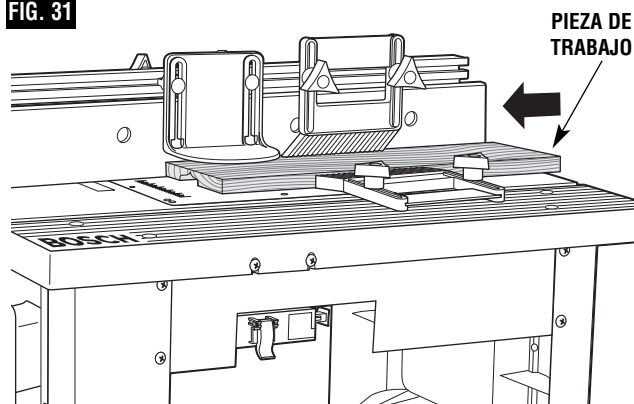


FIG. 31



8. Mientras sostiene firmemente una pieza de sobrante de madera contra la guía y hacia abajo contra la mesa de fresado, alimente una pieza sobrante de madera hacia la broca en la dirección que indica la flecha en la Fig. 31.
9. Usando la caja del interruptor, apague la fresadora. Si se necesita algún ajuste, desconecte la fresadora y repita los pasos 2 a 8 hasta que todos los ajustes estén correctos. Una vez esté satisfecho con todos los niveles, haga el corte con la pieza de trabajo verdadera.

Operación de la mesa de fresado

USO DE LA PATA DE ARRANQUE PARA FORMAR LOS BORDES DE LAS CURVAS

La pata de arranque (20) se utiliza en vez de la guía para las operaciones que involucran el fresado de curvas en la pieza de trabajo. Se debe usar únicamente con brocas que tienen cojinetes de piloto. Enrosque el pasador de arranque en el orificio enroscado en la placa de montaje y apriete firmemente con un destornillador ranurado (Fig. 32).

Una el protector de la pata de arranque (21) a la placa de montaje enroscando un tornillo (22) de máquina de cabeza segmental #10-32 x 3/8" a través del orificio en el poste de protección hacia al orificio enroscado en la placa de montaje. Alinee el dispositivo de seguridad con el orificio en la placa de montaje de manera que quede encima de la broca y firmemente sujete el dispositivo de seguridad en su lugar.

- Siempre utilice el protector de seguridad de la pata de arranque al fresar con la pata de arranque.
- Cuando utilice la pata de arranque, la dirección de alimentación de la pieza de trabajo es siempre de derecha a izquierda por el frente de la broca (Fig. 33).
- Fije la pieza de trabajo contra el frente de la pata de arranque y balancéelo lentamente hacia la broca.
- Mientras esté fresando, cerciórese de que la pieza de trabajo esté siempre en contacto con el cojinete piloto de la broca.



ADVERTENCIA Se debe utilizar el protector de seguridad auxiliar para este tipo de operación. Mantenga los dedos alejados de la broca giratoria. No intente fresar piezas de trabajo pequeñas.

FIG. 32

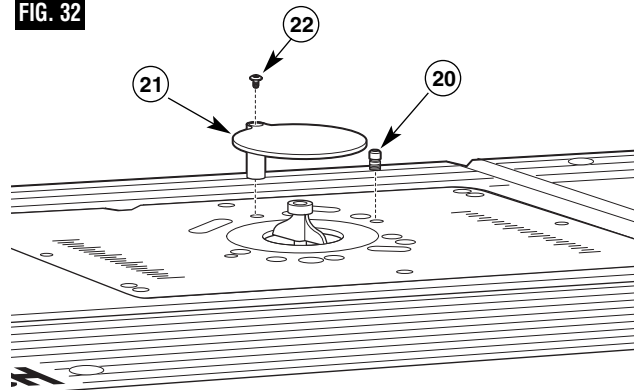


FIG. 33

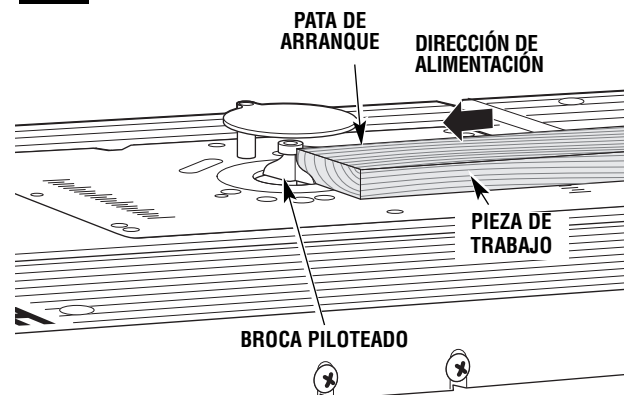
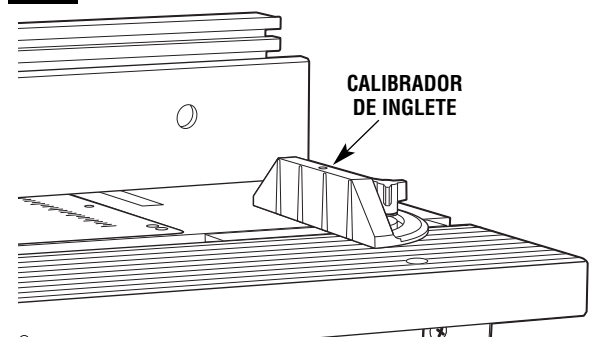


FIG. 34



CÓMO UTILIZAR UN CALIBRADOR DE INGLETE (NO INCLUIDO)

La ranura de calibración de inglete en T de aluminio puede utilizarse en la gran mayoría de las ranuras de inglete de sierra de mesa fija que miden 3/4" de ancho x 3/8" de profundidad.

NOTA: Para TODAS las operaciones de fresado que requieran el uso del calibrador del inglete con la guía, ASEGÚRESE de alinear la guía con la ranura del calibrador del inglete de la mesa fresadora antes de realizar cualquier tipo de corte. Los ingletes pueden cortarse si se desajusta la perilla de la cabeza del transportador, se gira la cabeza del transportador a 60° en cualquier dirección y se vuelve a ajustar la perilla.

© Robert Bosch Tool Corporation, 1800 W. Central Road, Mt. Prospect, IL 60056-2230
Exportado por: Robert Bosch Tool Corporation, Mt. Prospect, IL 60056-2230, E.U.A.
Importado en México por: Robert Bosch, S.A. de C.V., Calle Robert Bosch No. 405, Zona Industrial,
Toluca, Edo. de México, C.P. 50070, Tel. (722) 2792300

2 610 927 748 09/05

Printed in the U.S.A. • Imprimé aux États-Unis • Impreso en los EEUU