

# Freezers



**Westinghouse**



## Freezer range

**Westinghouse has been helping Australian families for over 60 years.**

Life is so much busier than it used to be, filled with work, extra curricular activities, not to mention just raising a family! We know it's not always easy, which is why all Westinghouse products are designed to make your life a little simpler.

This brochure has information on the complete range of Westinghouse freezer models:

- **Vertical freezers** – a single door, front opening freezer that stands vertically and is as high as a normal refrigerator.
- **Bar freezers** – a compact front opening freezer small enough to fit under a bench in a kitchen or bar.
- **Chest freezers** – a top opening freezer.

Westinghouse freezers use the less harmful R600a refrigerant. That means every day, the family refrigerator can quietly play its own part in reducing the household's impact on the environment.





## VERTICAL FREEZERS

# features

### Pigeon Pair

Westinghouse's vertical fridges and freezers can be combined in one space to give you a pigeon pair. This provides you with the maximum fresh food and freezer storage in one unit-truly the big fridge for the big family.

### Adjustable storage solutions with FlexStor™

Adjust the height and position of the door bins with FlexStor™.

(Selected models only)

### More brightness with LED Lighting

LED lighting at the back and top of your fridge ensures everything is easy to see and easy to find at a glance.

(Selected models only)

### Twist ice and serve

Twist ice and serve is an easy way to dispense ice.

### SpillSafe™ glass shelves

SpillSafe™ glass shelves improve visibility and isolate leaks - preventing up to one litre of spills from dripping down to the shelves below.

### Fingerprint-resistant real stainless steel

Life can be messy, but with Westinghouse's fingerprint-resistant real stainless steel, you won't have to worry. A quick wipe with a damp cloth should be all you need to keep your fridge looking its sleek and stylish best.





CHEST FREEZERS

## features

### Spring-loaded lid

A lightweight, sturdy, spring-loaded lid that stays open to free both your hands. The lid also provides an airtight seal, ensuring your freezer always runs at its most cost efficient.

### Adjustable recessed thermostat

The thermostat is set into a cavity on the freezer - not only giving you easy temperature control, it can't be bumped or moved by mistake.

### Sliding baskets

Runners allow the baskets to slide easily across the freezer. Accessing your frozen food in the lower area is simple.

### Defrost drain system

Making defrosting easy, a drain at the base of the fridge allows water out.

### Stackable, removable baskets

Fitting neatly into each other and can be removed to allow more storage space. When in use they keep the freezer neat and organised.

### Environmentally friendly~

Westinghouse refrigerators and freezers have started converting over to the less harmful R600a refrigerant. Look out for this symbol, as well as R600a in the specification tables, to see which models have already changed over.

(selected models only) - Features vary by model





## BAR FREEZERS

### features



#### Reversible door

These models are made to suit your needs, adapt the door from right to left to fit your space.

#### Table top function

Used as a handy storage area or additional workspace, the table top finish reduces the risk of scratching or damaging the cabinet.

#### Integrated handles

All Westinghouse bar fridges and freezers boast an integrated handle design for easy access and a smooth, clean look.

#### Clear fascia freezer bins

Giving fast storage and allowing you to keep items separated, ultimately reducing the time you need to keep the door open.

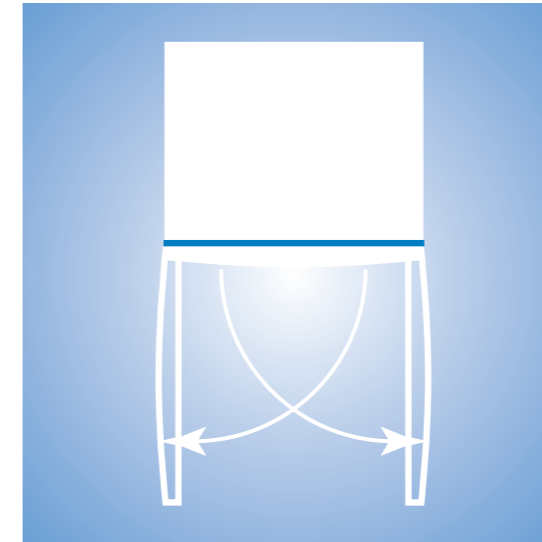
#### Pairing options

Combine a bar freezer with a bar fridge of the same height to create versatile storage options. For information on Westinghouse bar fridges refer to our current refrigeration brochure or visit [westinghouse.com.au](http://westinghouse.com.au)

#### Environmentally friendly~

Westinghouse refrigerators and freezers have started converting over to the less harmful R600a refrigerant. Look out for this symbol, as well as R600a in the specification tables, to see which models have already changed over.

(selected models only) - Features vary by model



# specifications

## Vertical freezers

### Features†



	WFB4204SC/WC	WFB2804SA/WA	WFM1700WE
capacity (litres)	388	254	155
door finish	stainless steel/ classic white	stainless steel/ classic white	classic white
dimensions (and recommended clearances)	refer to page 10	refer to page 10	refer to page 10
door opening	reversible	reversible	reversible
frost-free	✓	✓	✓
separate temperature control	✓	✓	✓
multi-flow air delivery system	✓	✓	
<b>freezer features</b>			
twist ice and serve/trays	2/-	2/-	-/1
ice cube storage bin	✓	✓	✓
adjustable glass shelves	4		
full-width freezer baskets	3	6	4
freezer light	LED	LED	
<b>other features</b>			
R600a refrigerant	✓	✓	✓
integration kit available	✓	✓	
energy star rating (new)	3.5	3.0	3.0
energy consumption (kwh/year)	309	286	228

† Refer to the product information on the back page of this brochure.

## Chest freezers

### Features†



WCM7000WE



WCM5000WE



WCM3000WE

	WCM7000WE	WCM5000WE	WCM3000WE
capacity (litres)	702	500	300
exterior finish	classic white	classic white	classic white
dimensions & recommend clearances	Refer to page 15	Refer to page 15	Refer to page 15
external rotary thermostat control	✓	✓	✓
spring loaded lid	✓	✓	✓
<b>freezer features</b>			
removable freezer baskets	2	2	1
LED Lighting	✓	✓	
<b>other features</b>			
energy star ratings	2.5	3	3.5
energy consumption (kwh/year)	536	405	275
levelling legs	✓	✓	✓
R600a refrigerant	✓	✓	✓

## Bar freezers

### Features†



WFM0900WD\*

	WFM0900WD*
capacity (litres)	86
exterior finish	classic white
dimensions (and recommended clearances)	Refer to page 15
reversible door	✓
<b>freezer features</b>	
ice cube tray	✓
ice cube storage bin	✓
adjustable plastic shelves	✓
clear freezer bins	✓
<b>other features</b>	
adjustable front levelling leg	✓
hidden hinges	✓
energy star rating (new)	4.5
energy consumption (kwh/year)	133
R600a refrigerant	✓
pairing options	WRM1300WC

\*Not available in New Zealand.

† Refer to the product information on the back page of this brochure.



WCM2000WD

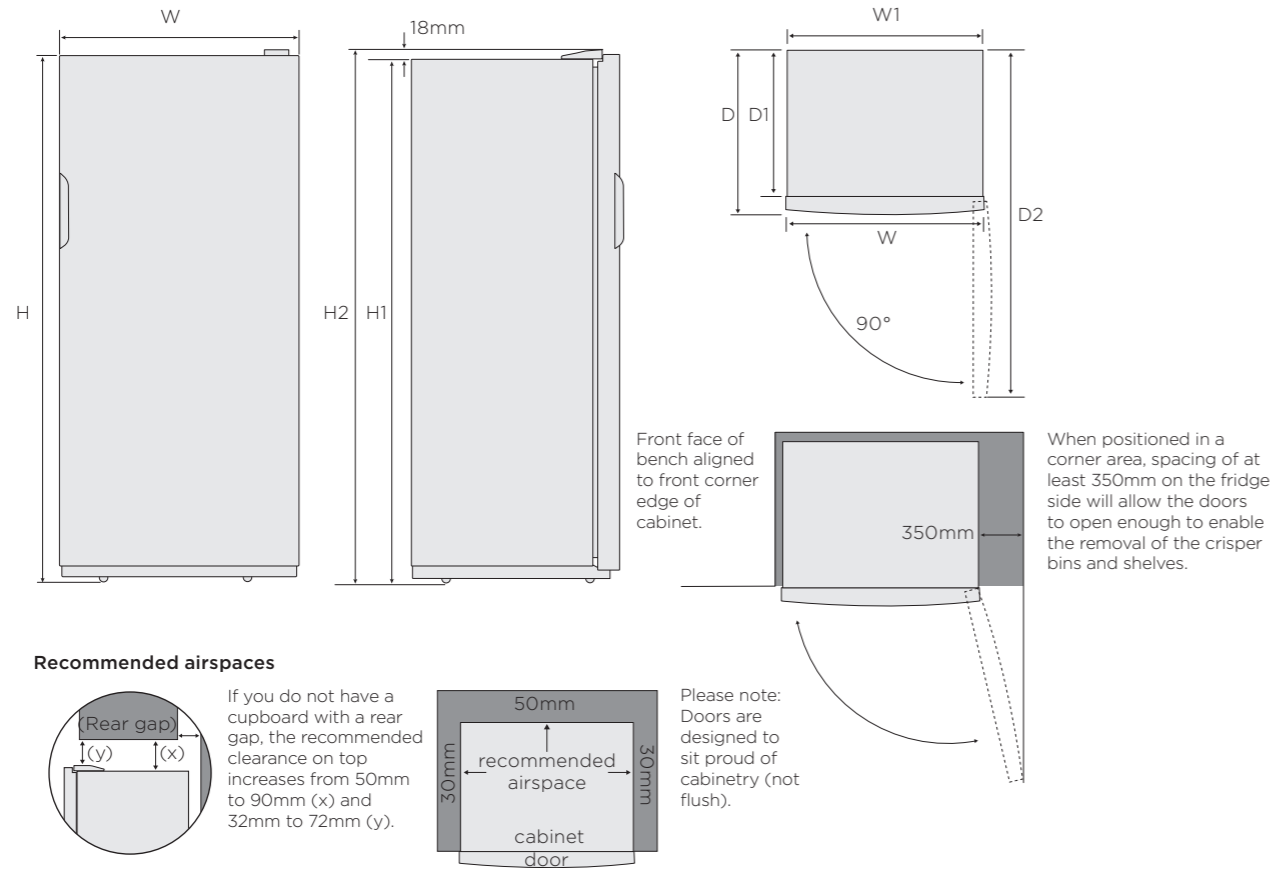


WCM1400WD

	WCM2000WD	WCM1400WD
capacity (litres)	200	145
exterior finish	classic white	classic white
dimensions & recommend clearances	Refer to page 15	Refer to page 15
external rotary thermostat control	✓	✓
spring loaded lid	✓	✓
<b>freezer features</b>		
removable freezer baskets	1	1
<b>other features</b>		
energy star ratings	3.5	4
energy consumption (kwh/year)	231	181
levelling legs	✓	✓
R600a refrigerant	✓	✓

† Refer to the product information on the back page of this brochure.

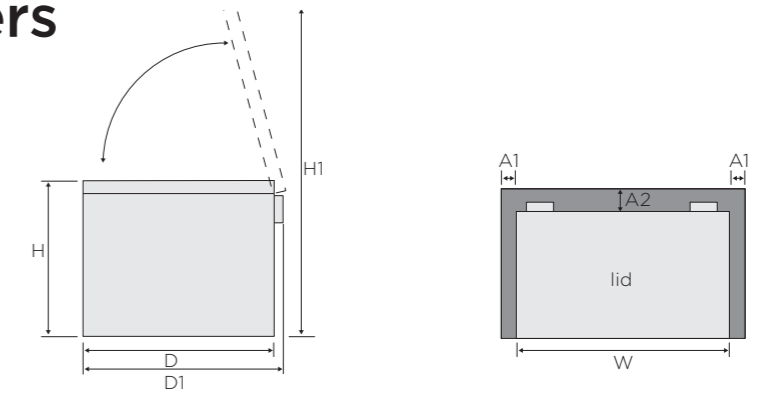
# Vertical freezers



Model	max door height (h)	cabinet height (h1)	total height (h2)	door width (w)	cabinet width (w1)	total depth (d)	cabinet depth (d1)	depth door open (d2)
WFB4204SC/WC	1718	1705	1725	699	693	720	641	1360
WFB2804SA/WA	1746	1746	1746	595	595	700	560	1204
WFM1800WC	1441	1441	1441	544	540	570	485	1079

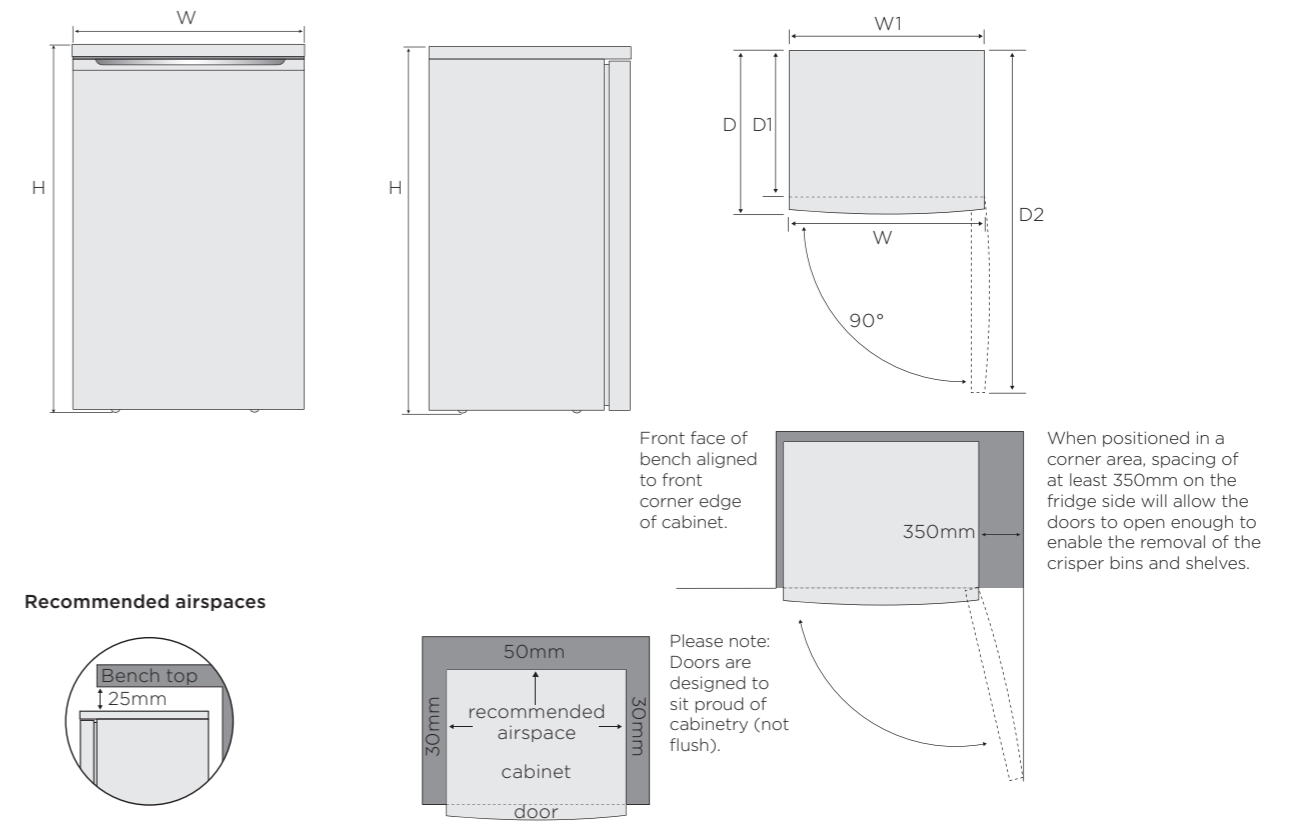
\* Refer to the product information on the back page of this brochure.

# Chest freezers



Model	height (h)	height with lid open (h1)	width (w)	depth (d)	Air space at sides (mm)	Air space at total height (mm)	Air space behind (mm)
WCM1400WE	854	1342	625	559	100	100	75
WCM2000WE	854	1342	802	559	100	100	75
WCM3000WE	847	1405	1114	630	100	100	75
WCM5000WE	847	1517	1646	717	100	100	100
WCM7000WE	873	1550	2145	758	100	100	100

# Bar freezers



Model	total height (h)	door width (w)	cabinet width (w1)	total depth including space (d)	cabinet depth (d1)	depth door open (d2)
WFM0900WD	845	550	550	570	510	1080

\* Refer to the product information on the back page of this brochure.





For more information on all Westinghouse appliances, or for dimension and installation information, call into your retailer, phone or email our customer care team or visit our website:

#### AUSTRALIA

phone: 13 13 49

email: [customercare@electrolux.com.au](mailto:customercare@electrolux.com.au)

web: [westinghouse.com.au](http://westinghouse.com.au)

#### NEW ZEALAND

phone: 0800 10 66 10

email: [customercare@electrolux.co.nz](mailto:customercare@electrolux.co.nz)

web: [westinghouse.co.nz](http://westinghouse.co.nz)



We invite you to follow Westinghouse appliances and get involved in the conversation.

#### Warranty

Electrolux Home Products Pty Ltd and Electrolux (NZ) Limited (collectively Electrolux) warrants that for domestic applications the Appliances featured in this brochure are free from defects in materials and workmanship for 2 years, an additional 3 year warranty is also provided for the sealed refrigeration system, and warrants that for featured accessories a period of 12 months, following the date of original purchase and subject to the conditions set out in the warranty card accompanying the product when purchased. This warranty is in addition to the other rights and warranties you may have under the Australian Consumer Law (ACL) and Electrolux will at all times comply with its obligations at law including the ACL. For New Zealand customers Electrolux will at all times comply with its obligations pursuant to law including the Consumer Guarantees Act, the Sale of Goods Act and the Fair Trading Act. Where appliances are purchased in NZ for commercial purposes the Consumer Guarantees Act does not apply.

#### \* Product information

The descriptors and illustrations in this publication apply to the specific products and models described as at the date of issue. Under our policy of continuous product development, product specifications may change without notice. Prospective purchasers should therefore check with their retailer to ensure this publication correctly describes the products that are being offered for sale. All information supplied is to be used for general reference purposes only and is on the understanding that Electrolux will not be liable for any loss, liability or damage of whatever kind arising as a result of reliance on such information. Electrolux will at all times comply with its obligations pursuant to law. Colours of products illustrated are as close as printing limitations allow.

and WESTINGHOUSE are trademarks of Westinghouse Electric Corporation. Used under license by Electrolux Home Products Pty Ltd. All Rights Reserved.

© 2022 Electrolux Home Products Pty Ltd. ABN 51 004 762 341 W\_BRO\_Freeze\_Jan22