

# W07IE3S-EHT1

## 7" Intel® Celeron® N6211 E Series HMI Panel PC



### KEY FEATURES

- 7" 1024 x 600 Resolution with PCAP touchscreen
- Intel® Celeron® N6211 Processor 1.5M Cache, up to 3.0 GHz
- Front IP65 Water and Dust Proof
- Dual Gigabit Ethernet
- Fanless cooling system and ultra-low power consumption



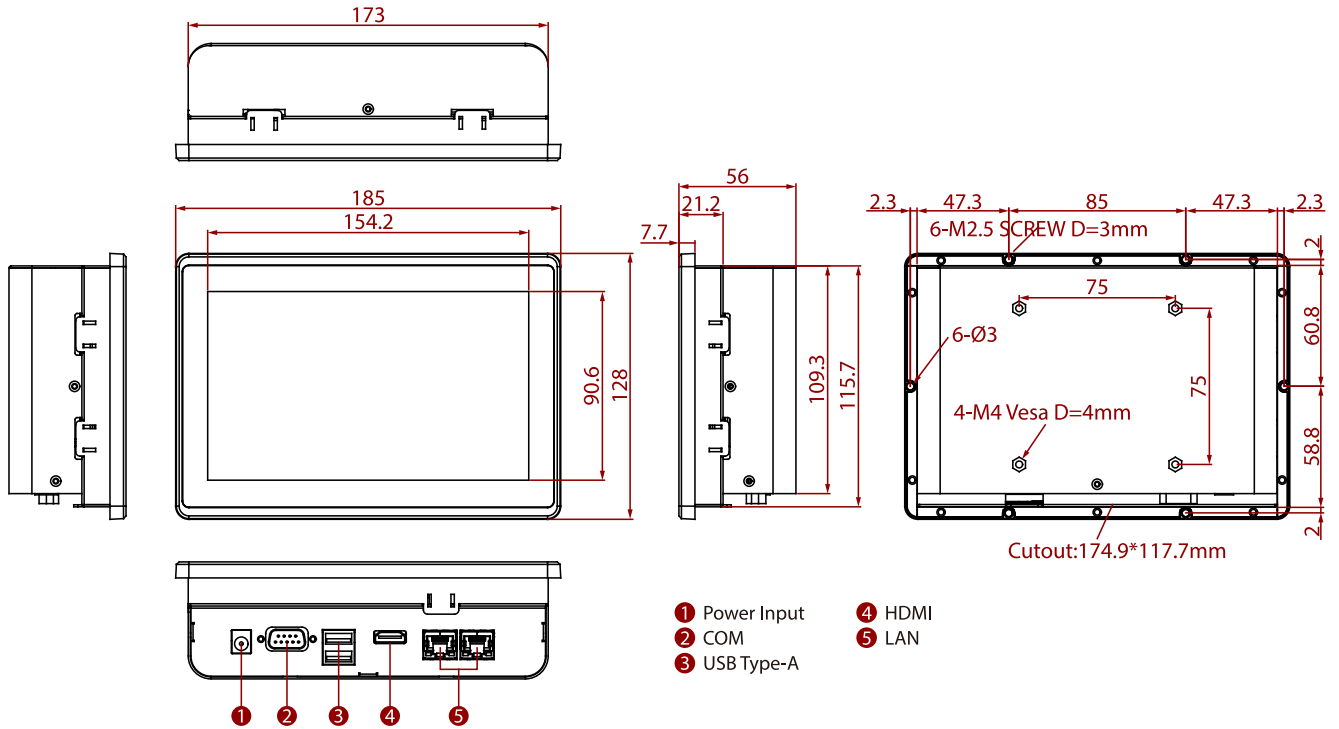
### SPECIFICATIONS

Display			
Resolution	1024x600	Size	7.0 inches
Contrast Ratio	1000:1	Panel Brightness	320.0 nits
View Angles	75,75,75,70	Active Area	153.6x90 mm
Touch / Glass	Projected Capacitive Multi Touch Screen		
System Specification			
Processor	Intel® Celeron® N6211 (up to 2.6GHz) Intel® Celeron® N6210 ( up to 3.0GHz)  (Optional)	Memory	1 x SO-DIMM, DDR4 3200 MHz, 4GB 8GB (Optional) 16GB (Optional)
Storage	1 x M.2 2242 B-key SSD 128GB M.2 2242 B-key SSD up to 512GB (Optional)	Ethernet controller	2 x Intel® Ethernet Controller
Security	TPM 2.0	Operating System	Windows 11 IoT Enterprise (64 bit) (Optional) Windows 11 Pro 64 bit (Optional) Windows 10 IoT Enterprise (64 bit) (Optional) Linux Ubuntu 22.04 (Optional)
Mechanical			
Dimension	185 x 128 x 56 mm	Weight	0.9 kg
Mounting	Panel mount VESA Mount	Enclosure	Metal Housing
Cooling System	Fanless design	Cut out	174.9 x 117.7 mm
Environment			
Operating Humidity	10% to 90% RH, Non-Condensing	Operating Temperature	0°C to 50°C
Storage Temperature	-10°C to 60°C	IP rating	Front IP65
Certification			
Certification	CE, FCC		
IO Ports			
Power Input	1 x 12V DC, 2.5φ DC jack	USB Port	2 x USB3.2 Gen2x1 (Type-A)
Serial Port	1 x RS232/422/485 (Default RS232)	Video	1 x HDMI 2.0 (Optional)
Expansion Port	2 x M.2 slot(1 for WiFi, 1 for SSD)	LAN	2 x Giga LAN RJ45 Connector
Accessory			

**Accessory** 100~240V AC to DC Adapter  
Power Cord  
VESA screws  
Mounting clips

<b>Power</b>			
<b>Power Rating</b>	12V DC	<b>Adapter</b>	12V 50W

**DIMENSIONS** UNIT:MM



**NOTE**

1. This is a simplified drawing and some components are not marked in detail.
2. Please contact our sales representative if you need further product information.
3. All specifications are subject to change without prior notice.
4. The product shown in this datasheet is a standard model. For diagrams that contain customized or optional I/O, please contact the Winmate Sales Team for more information.