



LED

Installation Instructions

LED T8 tube

SKU# 12038L,12039L,12040L,12041L,12042L,12043L,12044L,12045L,12046L

Rated Voltage 220-240V~ 50Hz

Thank you for purchasing this quality GE product. To ensure correct function and safety, please read and follow all instructions carefully before using the product. Please keep instructions for future reference.

Warranty

- This light fitting is covered by 3 years warranty. Please retain proof of purchase.
- Warranty will be void if there is any damage due to improper usage or modification to the fitting.
- This fitting is not suitable for use with dimmer switches.
- Warranty will be void if the fitting is used on the same circuit which has a dimmer switch.
- Failure to comply with the instructions in this manual may increase the risk of damage or injury and will void warranty.

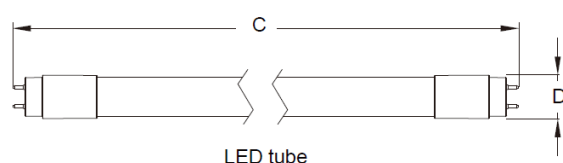
Installation requirements

- Must be installed by a licensed electrician when retro fitting electronic ballasts.
- All wiring and installation of the light fitting must adhere to local and national wiring rules. eg. AS/NZS 3000:2007/Amendment 2:2012 Electrical installations. If unsure, please contact a licensed electrician.
- This lamp is not suitable for use in emergency luminaires designed for double capped fluorescent lamp/s.
- This lamp is designed to fit standard IEC compliant G13 bi-pin lamp holders.
- Check whether the fitting has been damaged during transport. Do not operate/install any product which appears damaged in any way. Return the complete product to the place of purchase for inspection, repair or replacement.
- Ensure power to the circuit you are working on has been switched OFF before commencing any electrical work.

Installation directions

Packing list:

1. LED T8 tube
2. Replaced starter (Fuse for LED tube)
3. Starter holder
4. Warning sticker
5. User guide



LED tube



Replacement starter with an internal 250V HRC 2A max. quick-acting fuse



Starter holder

Use the tube with T8 bracket with electric ballast

WARNING:

- **A fuse shall be used to protect the lamp that is inadvertently installed against short circuit. The luminaire shall have a fuse replacement rating label (included). For fuse information please see the specification section.**
- **The luminaire has been modified and cannot be operated with conventional fluorescent lamp any longer. Only the same type of LED tube can be replaced.**
- **The manufacturer of the original luminaire will no longer be responsible for the compliance of the modified product. Any modifications made to the original luminaire may alter the safety aspects of the original luminaire; hence compliance assessments of the original luminaire may no longer be applicable to the modified luminaire.**



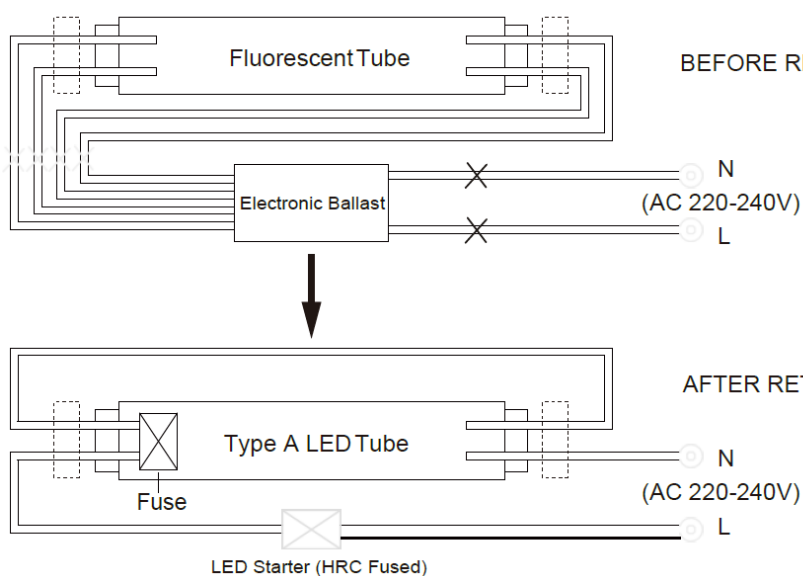
LED

Installation Instructions

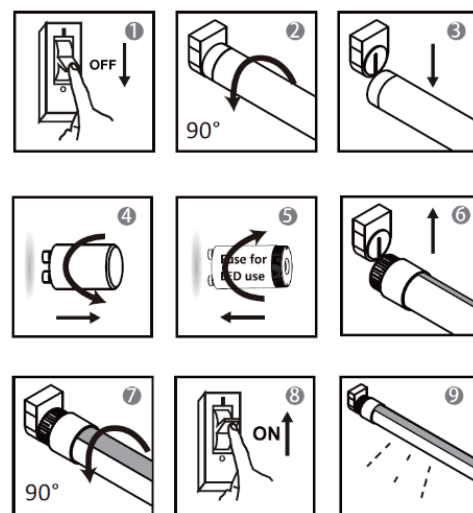
- **The supplied warning sticker MUST be placed on the luminaire and must be visible during lamp replacement.**
- **The rating of the lamp must not exceed the maximum wattage of the lamp that it is intended to replace or the total wattage of the replacement lamps must not exceed the maximum wattage of the luminaire.**

INSTRUCTIONS:

1. Switch off power supply before re-wiring and installation.
2. Remove the conventional fluorescent tube.
3. Remove the electronic ballast.
4. Rewire the fixture as shown in the AFTER RETRO FIT circuit diagram below and connect the included starter holder to a live wire in series.
5. Place the warning stickers provided in the visible locations.
6. Install the T8 LED tube, then fix the replacement starter into the starter holder.
7. Switch on the power supply.



INSTRUCTIONS:



Using the Tube T8 bracket with iron core ballast

WARNING: If the luminaire contains a compensating capacitor, please ensure it is removed from the circuit.

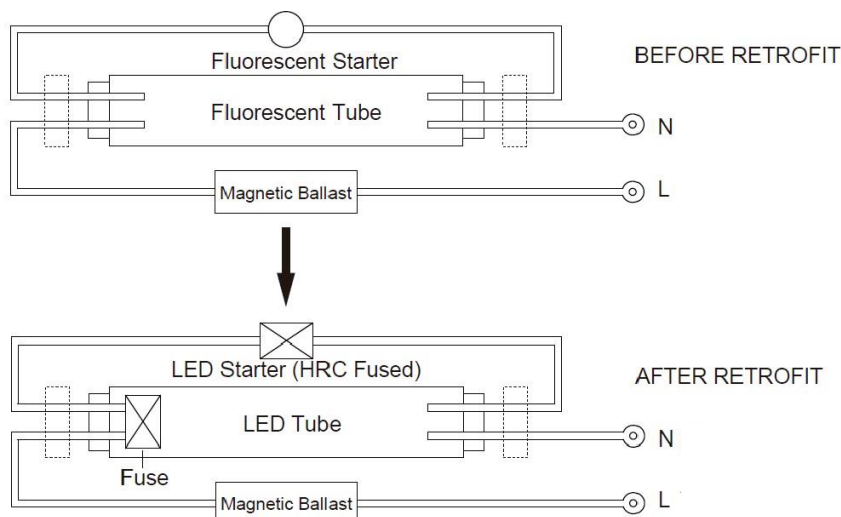
INSTRUCTIONS:

1. Switch off power supply before installation.
2. Remove the conventional fluorescent tube.
3. Remove the starter.
4. Place the warning stickers provided in the visible locations.
5. Install the replacement starter supplied.
6. Install the T8 LED tube.
7. Switch on the power supply.

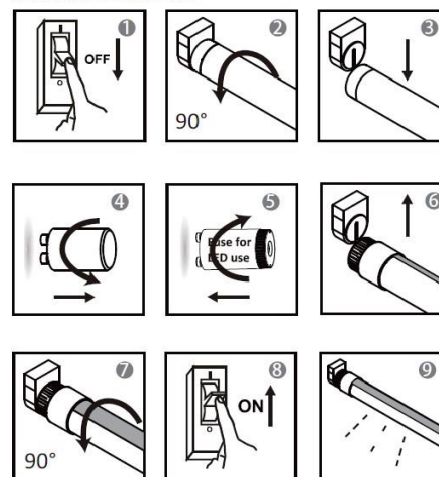


LED

Installation Instructions



INSTRUCTIONS:



Safety tips

- Always ensure the power is OFF and the fitting has cooled down before performing any maintenance, cleaning, changing the globe or adjustment to the fitting.
- To clean, wipe with a damp clean cloth. Never soak the fitting with water.

Specifications									
SKU #	12038L	12039L	12040L	12041L	12042L	12043L	12044L	12045L	12046L
Model #	YKT8BFG2-FRF-23W			YKT8BFG2-FRF-16W			YKT8BFG2-FRF-9W		
Rated Voltage	INPUT: 220-240V~ 50Hz								
Rated Wattage	23W			16W			9W		
LED	6500K, 2400 lm	4000K, 2400 lm	3000K, 2200 lm	6500K, 1700 lm	4000K, 1700 lm	3000K, 1550 lm	6500K, 920 lm	4000K, 920 lm	3000K, 830 lm
Fuse Information	250V HRC type, Max. 2A quick-acting type, only for protecting maximum two lamps								
Weight	0.28kg			0.20kg			0.13kg		
Dimensions	27.8mm x 1513mm (D x C)			27.8mm x 1212.4mm (D x C)			27.8mm x 602.8mm (D x C)		
The type of lamp it replaces									
Nominal Wattage	58W			36W			18W		
Cap	G13			G13			G13		
Nominal Dimensions	26mm x 1500mm			26mm x 1200mm			26mm x 600mm		
IP Rating	IP20			IP20			IP20		

GE is a trademark of General Electric Company and is under license by Light Source Solutions of 140 Fulton Drive Derrimut Vic 3030 Australia