

# Café™ 36" Smart Dual-Fuel Commercial-Style Range with 6 Burners (Natural Gas)

C2Y366P2TS1 / C2Y366P3TD1 / C2Y366P4TW2

# CAFÉ

DISTINCT BY DESIGN™



## ALSO AVAILABLE IN



C2Y366P2TS1  
Stainless Steel with Brushed Stainless handle and knobs



C2Y366P3TD1  
Matte Black with Brushed Stainless handle and knobs

## FEATURES & BENEFITS

**Versatile Cooktop** - The versatile cooktop on this commercial-style range features an entire arsenal of burners that give you the right amount of heat and control to perfectly cook anything from delicate sauces to expertly seared meats.

**Caterer Oven** - A large capacity oven fits a full-size catering pan and has three racks, large 8-pass bake and broil elements for even heat coverage and Precision Oven modes to help guarantee results for meals of any size.

**Color-Matched Manifold with LCD Control** - Get a coordinated look with a manifold that matches the range's finish and an LCD control panel that provides information like oven and probe temperatures and cooking time for perfect cooking results.

**Superior Heat Distribution** - The industry-exclusive Inspiral burner swirls the cooktop flame under cookware to more evenly spread heat from the center to the edges.

**Multi-Ring Burner** - A versatile burner offers different-sized flame rings on a single burner element, so it's like having multiple burners in one.

**Two Griddle Burners** - Cook more at once with two 12,000-BTU powerful burners that can be used together or separately with an optional griddle grill accessory.

**Two High-Heat Burners** - Boil water quickly with two 18,000-BTU Power Boil burners that give you more cooking power.

**Three Baking Racks** - Cook more at once with two enamel low-profile racks and one partially extended rack.

## WiFi-ENABLED FEATURES

**Built-in WiFi** - This smart oven features WiFi connection so you can control oven functions with the SmartHQ app on your smart device.

**Precision Oven Modes** - Simplify the cooking process with precision oven modes that automatically track progress, make time and temperature adjustments, and work with the SmartHQ™ app.

**Precision Temperature Probe** - An innovative temperature probe that helps you achieve the perfect level of doneness for oven favorites.

**No-Preheat Air Fry** - Cook healthier, crispier versions of your favorite foods in less time, thanks to an air fryer right in your oven that doesn't require preheating, a basket or a special tray.

**Enhanced Shabbos Mode** – The Shabbos Keeper connects to your range to automatically enable Shabbos compatible modes each week and before every holiday (Shabbos Keeper sold separately, visit [www.zmantechnologies.com](http://www.zmantechnologies.com) for details). WiFi connection via the SmartHQ app required for initial setup.

## FEATURES

|                               |  |
|-------------------------------|--|
| Configuration                 | 6 Burners  |
| Cooking Technology            | Convection   |
| Oven Cleaning Type            | Self-Clean with Steam Clean Option   |
| Burner - Left Front           | 21,000 BTU Multi-ring Burner   |
| Burner - Left Rear            | 18,000 BTU   |
| Burner - Right Front          | 10,000 BTU   |
| Burner - Right Rear           | 18,000 BTU   |
| Burner - Center               | 12,000 BTU Front / 12,000 BTU Rear   |
| Cooktop Burner Type           | Sealed   |
| Cooktop Surface               | Porcelain-Enamel Gray  |
| Dishwasher Safe Knobs         | Yes  |
| Control Location              | Front controls   |
| Control Type                  | Digital Temperature Display with Timer Display   |
| Valves (Degree of Turn)       | 270  |
| WiFi-Enabled Features         | Remote Oven Control<br>Remote Notifications<br>Scan-to-Cook<br>Voice Control<br>Precision Cooking Modes<br>No Preheat Air Fry<br>Meat Probe (App-Based func)   |
| Connected Integrations        | Amazon Alexa<br>DiGiorno<br>Drop<br>IFTTT<br>Innit<br>Sonos<br>The Google Assistant  |
| Range Control Features        | Audible Preheat Signal<br>Auto Oven Shut-Off<br>Auto Self Clean<br>Chef Connect<br>Delay Clean Option<br>Electronic Timer<br>Front Controls<br>In-Oven Broiling<br>Oven "ON" Light<br>Self-Clean Cool Down Time Display<br>Temperature Probe<br>Sabbath Mode: Shabbos Keeper required, sold separately |
| Oven Cooking Modes            | Convection Bake Multi/Single Rack<br>Convection Broil Hi/Lo<br>Convection Roast<br>Proof<br>Warming  |
| Oven Features                 | 8-Pass Broil Element<br>Hidden bake  |
| Cooktop Burner Grate Features | Continuous Grates  |
| Cooktop Burner Grate Material | Heavy Cast   |
| Cleaning Time                 | Variable with Delay Clean Option   |
| Self-Clean Oven Door Lock     | Automatic  |
| Oven Rack Features            | 1 Self-Clean Roller Rack<br>2 Self-Clean Flat Oven Racks<br>5 Rack Positions   |
| Fuel Type                     | 240V Electric and Natural Gas  |
| Ignition System               | Electronic w/Auto Reignition   |
| Leveling System               | 4 Leveling Legs  |
| Style                         | Commercial   |
| Cooking System                | True Convection with Reverse Air   |

## CAPACITY

|                             |            |
|-----------------------------|------------|
| Total Capacity (cubic feet) | 5.75 cu ft |
|-----------------------------|------------|

# Café™ 36" Smart Dual-Fuel Commercial-Style Range with 6 Burners (Natural Gas)

C2Y366P2TS1 / C2Y366P3TD1 / C2Y366P4TW2

# CAFÉ

DISTINCT BY DESIGN™

## ACCESSORIES

|                    |   |
|--------------------|---|
| LP Conversion Kits | Included<br>WB28X39728: High Altitude Natural Gas<br>WB28X39729: High Altitude LP   |
| Griddle            | UXPRRGG: Reversible grill/griddle   |
| Backsplash         | UX12B36PSS: 12" Backsplash<br>UXADJB36PSS: 36" Backsplash with shelf  |
| Toe Kicks          | CXPR6TKPMWS: 36" Matte White toe kick<br>CXPR6TKPMDS: 36" Matte Black toe kick<br>CXPR6TKPMSS: 36" Stainless Steel toe kick |

## WEIGHTS & DIMENSIONS

|  |                          |
|--|--------------------------|
| Cabinet Opening                            | 36 in                    |
| Depth with Door Open                       | 48-1/4 in                |
| Approximate Shipping Weight                | 462 lb                   |
| Net Weight                                 | 417 lb                   |
| Overall Height                             | 35-1/4 in                |
| Height to Cooking Surface (in.)            | 35-1/4 - 36-3/4          |
| Overall Width                              | 35-7/8 in                |
| Cabinet Width                              | 36 in                    |
| Overall Depth                              | 31-1/8 in                |
| Depth Without Handle                       | 29-3/8 in                |
| Oven Interior Dimensions (W x H x D) (in.) | 28-1/4 x 16-3/8 x 21-3/8 |

## DIMENSIONS AND INSTALLATION

**Electrical Requirements:** Ranges must be hooked up to a 208/240V, 60Hz properly grounded dedicated circuit protected by a 30-amp circuit breaker or time-delay fuse.

**Gas Pressure Regulator:** You must use the gas pressure regulator supplied with this range. For proper operations the inlet pressure to the regulator should be as follows:

Natural Gas:

Minimum pressure: 6" of Water Column

Maximum pressure: 13" of Water Column

Propane (LP) Gas:

Minimum pressure: 11" of Water Column

Maximum pressure: 13" of Water Column

See installation instructions for more details

**Optional Backsplash Accessories:** The range requires a 12" minimum clearance to a vertical combustible surface at the rear. A backsplash is required for installations with less than 12" clearance. The following backsplash accessories are available, or a custom, non-combustible backsplash can be used. Order one with a 36"-wide range backsplash

UX12B36PSS – 12" backsplash

UXADJB36PSS – 30"-36" adjustable-height backsplash with warming shelf

**NOTE:** Commercial-style ranges offer a number of choices in size and cooktop configurations. All commercial-style ranges are factory set for natural gas. Conversion kits are included with the range. High Altitude Natural Gas: WB28X39728; High Altitude LP: WB28X39729 are also available. The kits must be installed by a qualified service technician at additional cost.

**Installation Information:** Before installing, consult installation instructions packed with product or online at [geappliances.com](http://geappliances.com) for current dimensional data.

A suitable 36" or wider vent hood is required for installation over ranges with a grill and recommended for all other ranges. **Advance Planning:** Refer to dimensional drawings for appropriate placement and necessary clearances when planning the installation.

## APPEARANCE

|                            |   |
|----------------------------|---|
| Color Appearance           | Matte White                                       |
| Cooktop Burner Grate Color | Matte Black                                       |
| Oven Door Features         | Big Clear View Oven Window                        |
| Handle Design              | Café  |
| Control Knobs              | Brushed Bronze; Dishwasher Safe; Commercial-Style |

## POWER / RATINGS

|  |  |
|--|--|
| Amp Rating at 208V                             | 30                                     |
| Amp Rating at 240V                             | 30                                     |
| Bake/Broil Wattage - Main Oven                 | 2700/4000W                             |
| Top Burner BTU Rating - LP (000's BTU's)       | (1) 18.0; (2) 15.0; (2) 12.0; (1) 9.1  |
| Top Burner BTU Rating - Nat. Gas (000's BTU's) | (1) 21.0; (2) 18.0; (2) 12.0; (1) 10.0 |
| Volts/Hertz/Amps                               | 240V; 30A                              |
| Power Connection                               | Power Cord - Included                  |
| Convection Wattage                             | 2500W                                  |

## WARRANTY

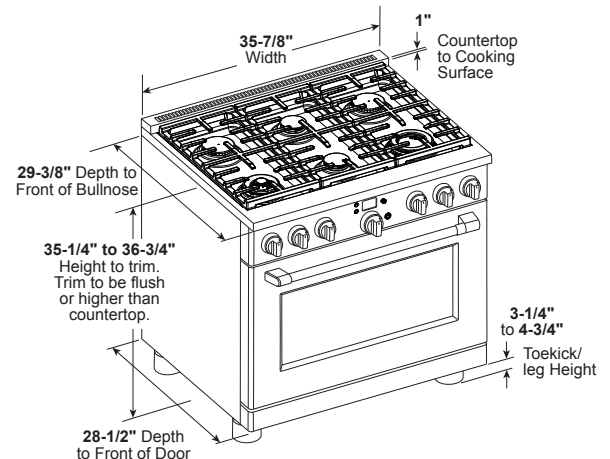
|                |                                       |
|----------------|---------------------------------------|
| Parts warranty | Limited 1-year entire appliance       |
| Labor warranty | Limited 1-year entire appliance       |
| Warranty notes | See written warranty for full details |

**Advance Planning:** Refer to dimensional drawings for appropriate placement and necessary clearances when planning the installation.

- Working areas adjacent to the range should have 18" minimum clearance between countertop and cabinet bottom.
- Clearance between range and side wall or combustible material must be at least 12" on each side.
- Installation must conform with local codes. In the absence of local codes, the range must comply with the National Fuel Gas Code, ANSI Z223.1-1990.

**WARNING:** Installations without a hood require 48" minimum to combustibles. A custom hood installation with exposed horizontal combustible surfaces must have an Auto-On feature. Refer to hood installation instructions for specific hood clearances.

The surface of the entire back wall above the range and below the hood must be covered with a non-combustible material such as metal, ceramic tile, brick, marble or other stone.



# Café™ 36" Smart Dual-Fuel Commercial-Style Range with 6 Burners (Natural Gas)

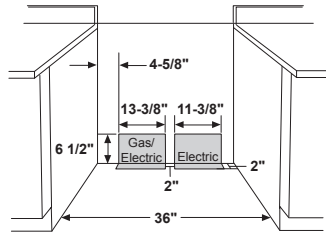
C2Y366P2TS1 / C2Y366P3TD1 / C2Y366P4TW2

# CAFÉ

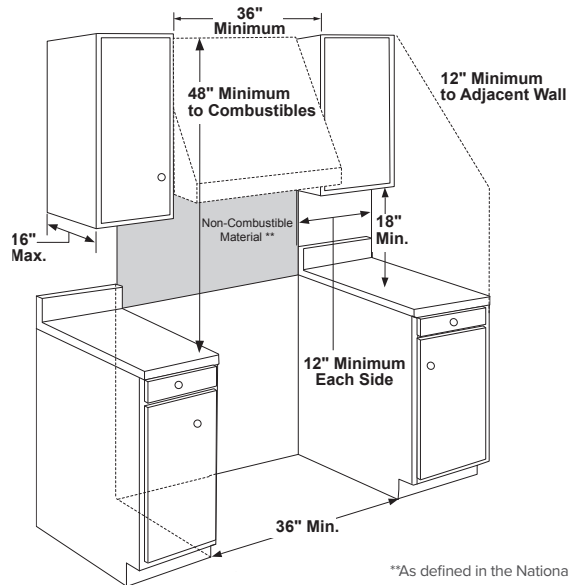
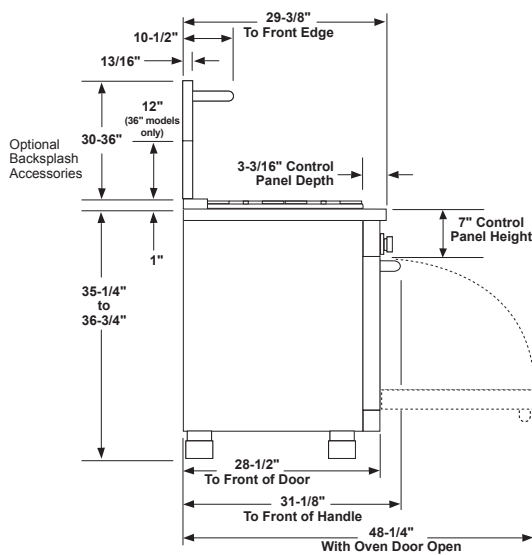
DISTINCT BY DESIGN™

## DIMENSIONS AND INSTALLATION

### UTILITY LOCATIONS



### SIDE VIEW WITH BACKSPLASH



\*\*As defined in the National Fuel Gas Code (ANSI Z223.1/CSA B149.1, Current Edition). Clearances from non-combustible materials are not part of the ANSI Z211/CSA 1.1 scope and are not certified by CSA. Clearances less than 12" must be approved by local codes and/or the authority having jurisdiction.

### ADDITIONAL CLEARANCES

Allow 12" minimum clearance to an adjacent wall on each side. Working areas adjacent to the rangetop should have 18" minimum clearance between countertop and the bottom of the wall cabinet.

## ADDITIONAL ACCESSORIES



CXPR6HKPTBZ  
Brushed Bronze  
1 handle, 8 knobs  
(standard on Matte White)



CXPR6HKPTSS  
Brushed Stainless  
1 handle, 8 knobs  
(standard on Matte Black)



CXPR6HKPTBT  
Brushed Black  
1 handle, 8 knobs



CXPR6HKPTCU  
Brushed Copper  
1 handle, 8 knobs



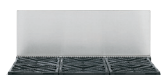
CXPR6HKPTCG  
Brushed Brass  
1 handle, 8 knobs



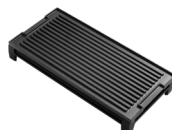
CXPR6HKPTFB  
Flat Black  
1 handle, 8 knobs



UXADJB36PSS  
30"-36"H Stainless Steel  
Adjustable Height  
Backsplash with Shelf



UX12B36PSS  
12"H Stainless Steel  
Backsplash



UXPRRG  
Grill/Griddle Accessory



CXPR6TKPMWS  
Matte White Toe Kick



CXPR6TKPMS  
Matte Black Toe Kick



CXPR6TKPMSS  
Stainless Steel Toe Kick