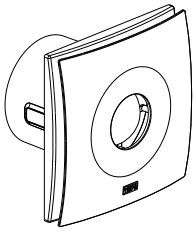




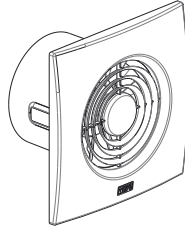
Wall Exhaust Fan, 150mm

Cat no. EF150SQWE, EF150SQSWE,
EF150RDWE, EFS150SQWE, EFS150SQSWE

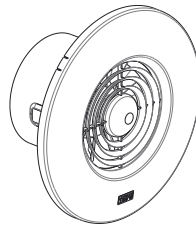
Instruction Sheet



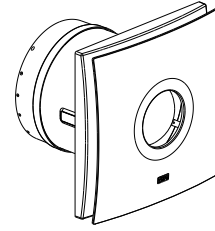
EF150SQWE
Standard square
150mm wall fan



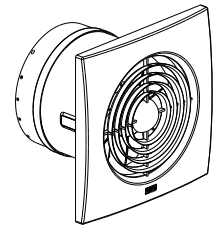
EF150SQSWE
Slimline square
150mm wall fan



EF150RDWE
Round
150mm wall fan



EFS150SQWE
Standard
150mm wall fan
with auto shutter



EFS150SQSWE
Slimline
150mm wall fan
with auto shutter

Please read carefully: Read through these instructions completely before commencing installation. Retain for future use. This product should be installed by a licensed electrical contractor or similarly qualified person.

1 Specifications

Cat no.	EF150SQWE	EF150SQSWE	EF150RDWE	EFS150SQWE	EFS150SQSWE
Supply voltage	230–240V a.c. 50Hz				
Power rating	24W				
Protection class	Class II				
IP rating	IP44	IP24	IP24	IP44	IP24
Duct requirement	Ø150mm				
Wall/ceiling cut-out size	Ø160mm				
Draught stopper	PET Sheet			Auto-Shutter (Wax Solenoid)	
Fascia	Size	212x212mm	212x212mm	Ø253mm	212x212mm
	Thickness	43mm	24mm	24mm	43mm
Weight (excl. packaging)	1.0kg	0.9kg	0.9kg	1.2kg	1.1kg

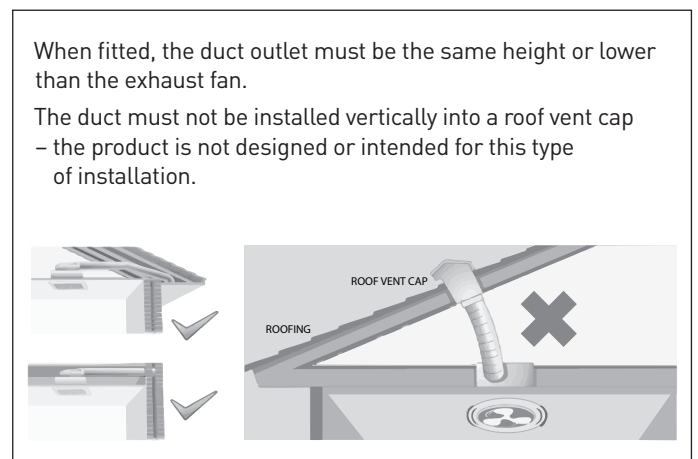
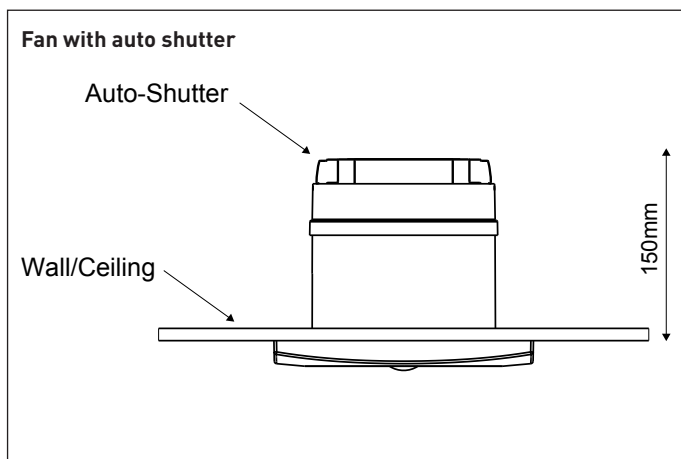
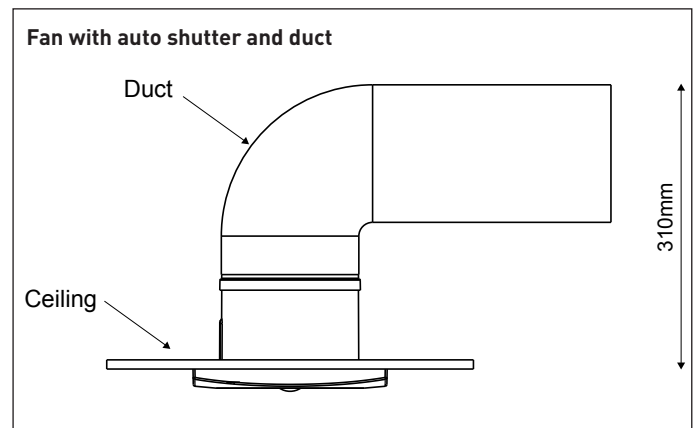
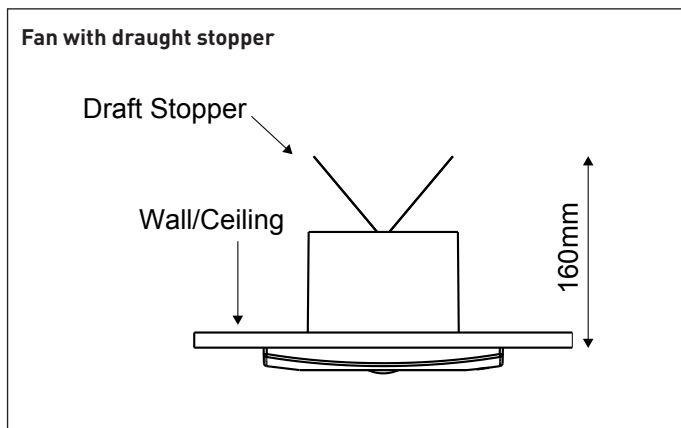
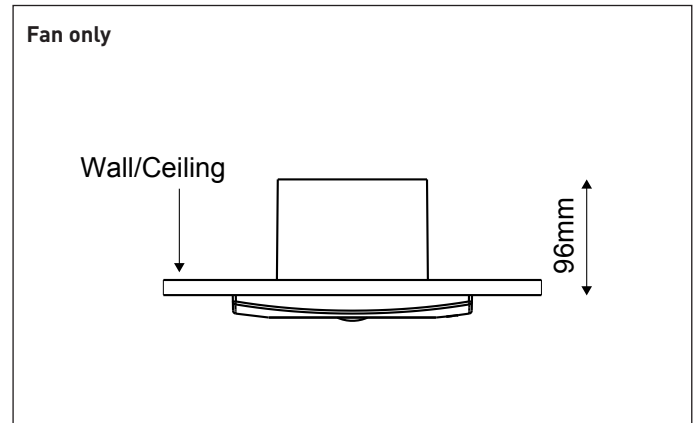
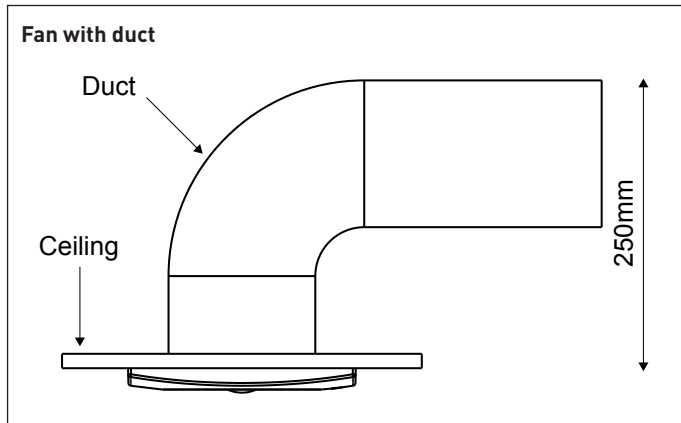
Max Airflow (m³/hr)

Cat no.	EF150SQWE		EF150SQSWE & EF150RDWE		EFS150SQWE	EFS150SQSWE
Draught stopper	with	without	with	without	with	with
No duct	204	218	269	309	200	267
Wall kit R621/6D (350mm of duct)	184	189	206	217	184	206
1m of duct	175	178	196	201	175	196
3m of duct	158	160	171	181	158	171

For indoor use only. Airflow will be reduced with bends in duct, squashing of duct, restrictions on replacement air entering the room to be ventilated, or pressure-differentials between the room and outside air. The length of the duct will have an effect on the airflow. When fitted, the wall kit (R621/6D) must be at the same height or lower than the exhaust fan.

2 Mounting

These exhaust fans are designed primarily for wall-mounting. They may be vented in to a cavity wall or in to the roof space in the ceiling. Alternatively, the fan may be ducted through an outside wall (with the addition of ducting and an outside grille). Protrusions into wall/ceiling cavity are as per below figures.



CAUTION:

Regulations concerning the discharge of air must be fulfilled. Local building codes may require venting to the outside. Locate in accordance with the requirements of the Wiring Rules AS/NZS 3000 relating to damp situations.

Note: Steam will only be removed if there is sufficient flow of air through the room. Ensure adequate inlet openings in the room are provided, for example through windows, vents or under the door. Air-flow paths from room inlets to fan should ideally pass over surfaces where condensation may form.

3 Auto-Shutter (for EFS150SQWE & EFS150SQSWE only)

The flaps of the Auto-Shutter are driven by a thermoactuator. Due to this, the flaps will take time to open/close when the exhaust fan is switched on/off.

Time to Open: 30 – 60 seconds

Time to Close: 120 – 200 seconds

4 Installation

Remove all packaging from the product before commencing installation. Ensure the circuit has been isolated from the 240V mains before commencing work.

1. Choose a suitable mounting location. There must be adequate clearances in the wall/ceiling to accommodate the Draught-stopper and/or ducting. Refer to section 2 for further information.
2. If ducting through the wall to the outside, refer to instructions in the wall duct kit. Note: the wall kit is available separately, please refer to Optional Accessories section.
3. Time-delay module is available separately, please refer to Optional Accessories section.
4. Make a circular 160mm hole in the wall/ceiling.
5. Remove front cover / fascia by removing fixing screw and cap on the underside of the cover.
6. Remove draught-stopper if not required. Note that the draught-stopper (when fitted) has an effect on the airflow.
7. Make the electrical connections (as per Figures below).

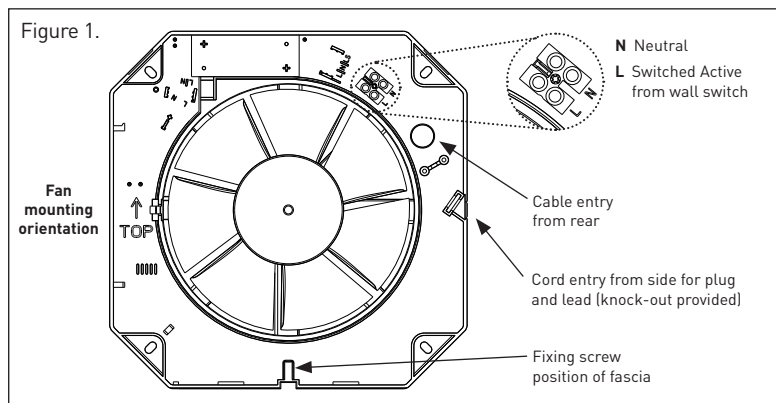
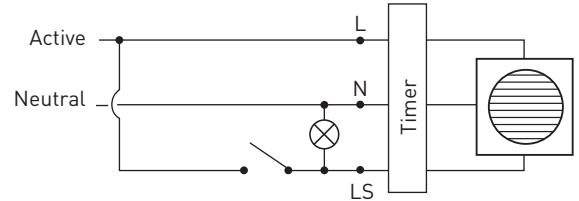


Figure 2. Fan with timer module and light fitting



Connection from rear – bring mains wiring through cable entry hole.

Connection from side (Fan only) – use twin flat core (H03VV-H2) or circular core (H05VV-F) 2 x 0.75mm² and place under cable clamp provided.

8. Ensure orientation of fan is with arrow pointing ↑ up.
9. Fix fan firmly to the wall with the 4 screws provided.
10. Replace front cover/fascia and tighten fixing screw. Replace cap.
11. Switch on and test function. Use a paper tissue held against fan inlet to verify suction.

5 Cleaning

This product should only be cleaned with a damp cloth. Cleaning agents and solvents should not be used. Ensure the fan is switched off from the mains power supply before removing the grille / fascia.

6 Optional Accessories

R621/6D – 150mm wall duct kit

EF100/150TD – Time delay module allows the fan to run for a set period, adjustable between 1 - 29 mins, after the switch has been turned off.

7 Disclaimers

1. This product must be installed and used as per these instructions. **2.** This product is not intended for use by persons (including children) with reduced physical, sensory or mental capabilities, or lack of experience and knowledge, unless they have been given supervision or instruction concerning use of the appliance by a person responsible for their safety. Children should be supervised to ensure that they do not play with the appliance. **3.** This product is intended for household use and similar purposes. It is not suitable for use in an environment heavily laden with dust. Under these conditions the life of the fan motor can be significantly reduced. **4.** This product should not be enclosed in thermal insulation as it may cause the unit to overheat. **5.** This product has been designed to operate in ambient temperatures -10°C to 40°C. **6.** This product contains no serviceable parts and no attempt should be made to repair it. If the product is faulty it should be discarded. **7.** Airflows listed in this product indicate the product performance. Refer to the BCA (Building Code of Australia), or similar, for the appropriate airflow required for a particular installation. **8.** Ventilation products must have an adequate source of external air to ensure correct performance. **9.** Consideration must be taken in the installation of ducts to ensure that condensation that will form in the duct will not run back into the fan housing. **10.** Precautions must be taken to avoid the back-flow of gases into the room from the open flue of gas or other fuel-burning appliances. **11.** This product has been designed for domestic or similar uses and is not suitable for a commercial installation. **12.** This product is not suitable for installation in hazardous and/or corrosive areas. **13.** Extended exposure to UV rays (such as exposure to direct sunlight) may cause discolouration of this product. **14.** The material in this product may vary in colour from batch to batch. Colour matching from one batch to another cannot be guaranteed. **15.** This product utilises intellectual property in the form of registered designs, trademarks, and/or patents. Such intellectual property remains the property of HPM Legrand in all cases. **16.** HPM Legrand reserves the right to modify the specification of this product at any time.

Warranty

HPM Legrand warrants this product for a period of 3 years from the date of purchase. These goods come with guarantees that cannot be excluded under the Australian and New Zealand Consumer Laws. You are entitled to a replacement or a refund for a major failure and for compensation for any other reasonably foreseeable loss or damage. You are also entitled to have the goods repaired if the goods fail to be acceptable quality and the failure does not amount to a major failure. See the Warranty card enclosed with this product for further details.

Customer Service

For all Customer Service and Technical Support please call Monday to Friday during business hours.

HPM Legrand Australia
1300 369 777
www.hpm.com.au

HPM Legrand New Zealand
0800 476 009
www.hpm.co.nz

ABN: 31 000 102 661

A Group brand  Legrand