

Find your product and get support



Europe
https://eu.aoc.com/en/support

Россия
https://eu.aoc.com/ru/support

Australia
https://au.aoc.com/user_manual

Hong Kong S.A.R.
https://hk.aoc.com/user_manual

中國台灣
https://tw.aoc.com/user_manual

Indonesia
https://id.aoc.com/user_manual

日本
https://jp.aoc.com/user_manual

한국
https://kr.aoc.com/user_manual

Malaysia
https://my.aoc.com/user_manual

Myanmar
https://mm.aoc.com/user_manual

New Zealand
https://nz.aoc.com/user_manual

Philippines
https://ph.aoc.com/user_manual

Singapore
https://sg.aoc.com/user_manual

ประเทศไทย
https://th.aoc.com/user_manual

Việt Nam
https://vn.aoc.com/user_manual

Middle East
https://me.aoc.com/user_manual

South Africa
https://za.aoc.com/user_manual

Brasil
https://aoc.portaltpv.com.br/

India
https://www.aocindia.com/download_manuals.php

US/Canada
https://us.aoc.com/en-US/downloads



AOC



Quick Start

Q27G2S

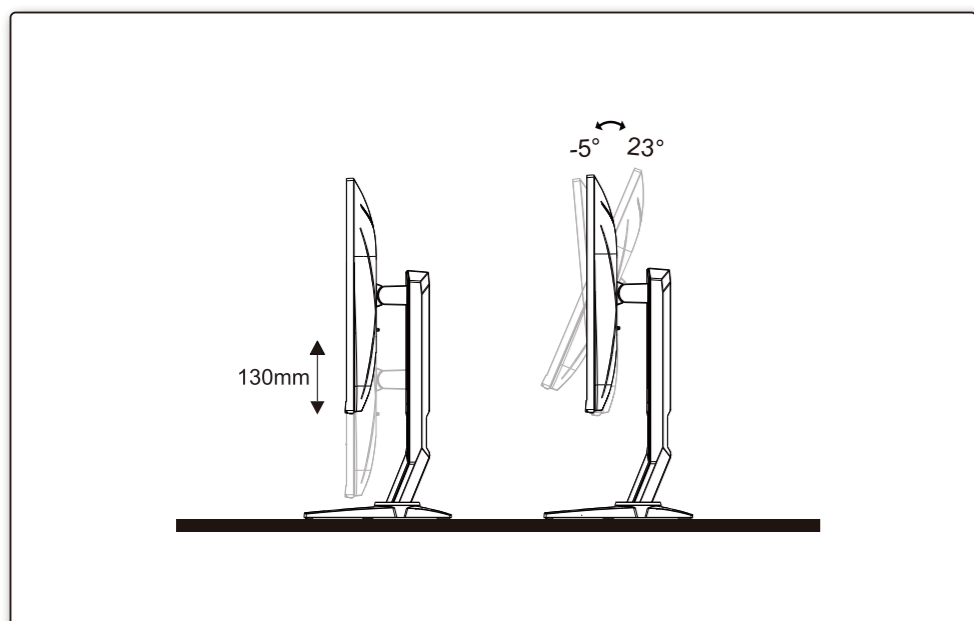
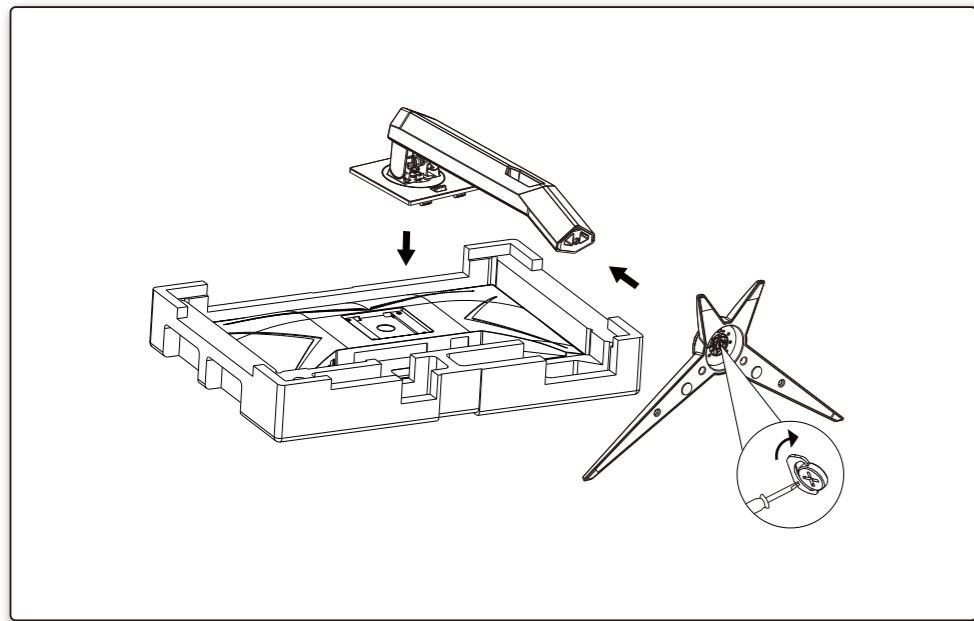
www.aoc.com
©2023 AOC.All Rights Reserved

HDMI
HIGH-DEFINITION MULTIMEDIA INTERFACE

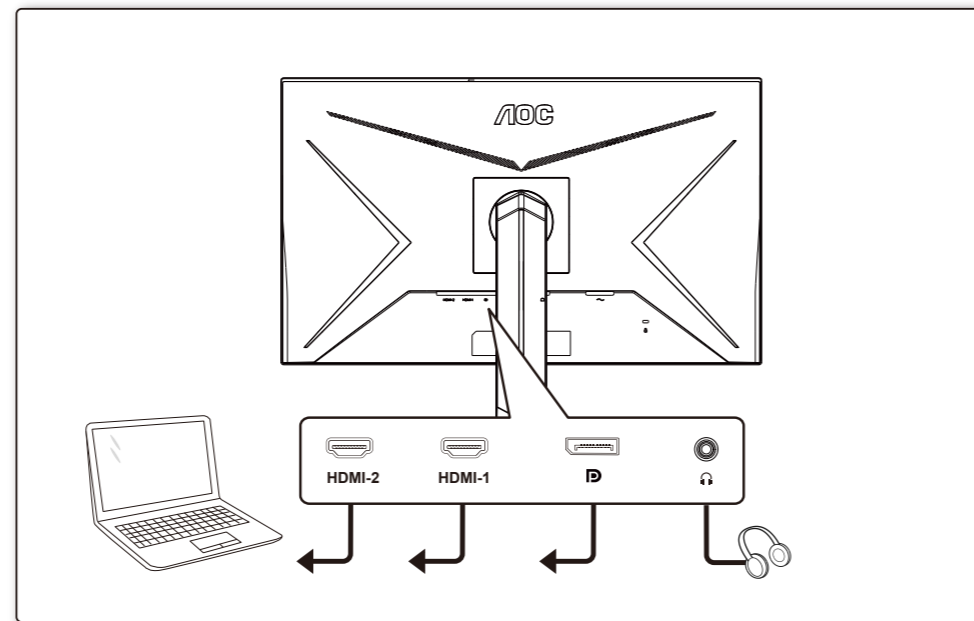
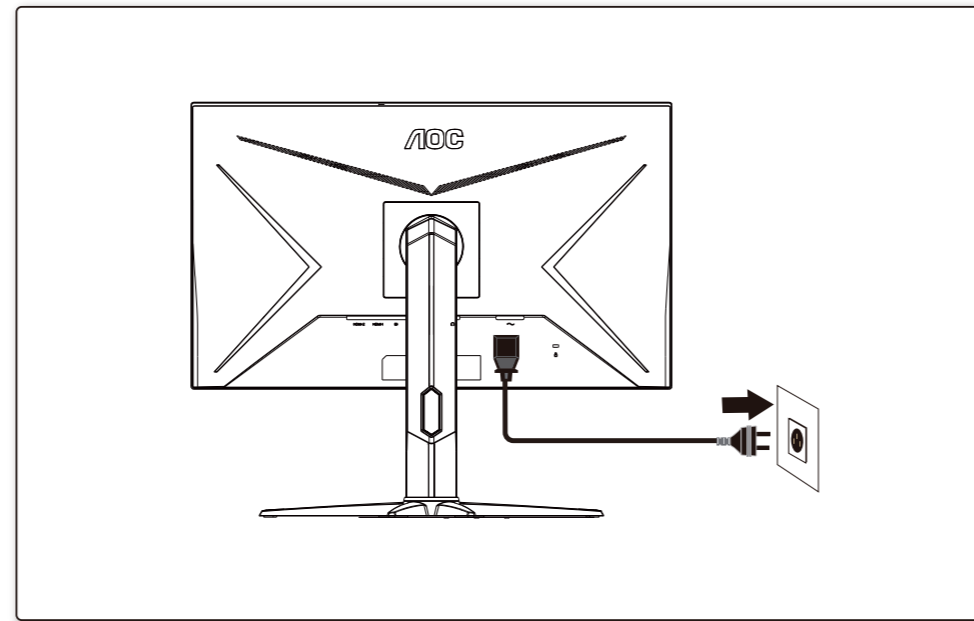


*Different according to countries/regions
Display design may differ from that illustrated

1



2



3

4

General Specification

Panel	Model name	Q27G2S		
	Driving system	TFT Color LCD		
	Viewable Image Size	68.5cm diagonal (27" Wide Screen)		
	Pixel pitch	0.2331mm(H) x 0.2331mm(V)		
Others	Horizontal scan range	30k~230kHz		
	Horizontal scan Size(Maximum)	596.736mm		
	Vertical scan range	48-144Hz(HDMI) 48-155Hz(DP)		
	Vertical Scan Size(Maximum)	335.664mm		
	Optimal preset resolution	2560x1440@60Hz		
	Plug & Play	VESA DDC2B/CI		
	Power Source	100-240V~, 50/60Hz, 1.5A		
	Power Consumption	Typical (default brightness and contrast)	36W	
		Max. (brightness = 100, contrast = 100)	≤ 56W	
		Standby mode	≤ 0.3W	
Dimensions(with stand)	611.8x(398.6~528.6)x227.4 mm(WxHxD)			
Net Weight	5.6kg			
Physical Characteristics	Connector Type	DP/HDMI/Earphone out		
	Signal Cable Type	Detachable		
Environmental	Temperature	Operating	0°C~ 40°C	
		Non-Operating	-25°C~ 55°C	
	Humidity	Operating	10% ~ 85% (non-condensing)	
		Non-Operating	5% ~ 93% (non-condensing)	
	Altitude	Operating	0~ 5000 m (0~ 16404ft)	
		Non-Operating	0~ 12192m (0~ 40000ft)	