



Hewlett Packard
Enterprise

HPE ProLiant DL20 Gen9 Server User Guide

Abstract

This document is for the person who installs, administers, and troubleshoots servers and storage systems. Hewlett Packard Enterprise assumes you are qualified in the servicing of computer equipment and trained in recognizing hazards in products with hazardous energy levels.

Part Number: 826318-003a
Published: June 2017
Edition: 4

Notices

The information contained herein is subject to change without notice. The only warranties for Hewlett Packard Enterprise products and services are set forth in the express warranty statements accompanying such products and services. Nothing herein should be construed as constituting an additional warranty. Hewlett Packard Enterprise shall not be liable for technical or editorial errors or omissions contained herein.

Confidential computer software. Valid license from Hewlett Packard Enterprise required for possession, use, or copying. Consistent with FAR 12.211 and 12.212, Commercial Computer Software, Computer Software Documentation, and Technical Data for Commercial Items are licensed to the U.S. Government under vendor's standard commercial license.

Links to third-party websites take you outside the Hewlett Packard Enterprise website. Hewlett Packard Enterprise has no control over and is not responsible for information outside the Hewlett Packard Enterprise website.

Acknowledgments

Intel[®], Itanium[®], Pentium[®], Intel Inside[®], and the Intel Inside logo are trademarks of Intel Corporation in the United States and other countries.

Microsoft[®] and Windows[®] are either registered trademarks or trademarks of Microsoft Corporation in the United States and/or other countries.

Adobe[®] and Acrobat[®] are trademarks of Adobe Systems Incorporated.

Java[®] and Oracle[®] are registered trademarks of Oracle and/or its affiliates.

UNIX[®] is a registered trademark of The Open Group.

Contents

Component identification.....	7
Front panel components.....	7
Serial label pull tab information.....	8
Front panel LEDs and buttons.....	9
Power fault LEDs.....	10
Rear panel components.....	10
Rear panel LEDs.....	11
PCIe riser board slot definitions.....	12
System board components.....	13
DIMM slot locations.....	14
System maintenance switch.....	14
NMI functionality.....	15
Drive numbering.....	15
Hot-plug drive LED definitions.....	17
Fan locations.....	18
Operations.....	19
Removing the security bezel.....	19
Powering up the server.....	19
Power down the server	19
Extending the server from the rack.....	20
Removing the server from the rack.....	22
Removing the access panel.....	22
Installing the access panel.....	23
Removing the PCI riser cage.....	24
Installing the PCI riser cage.....	25
Removing the air baffle.....	26
Installing the air baffle.....	26
Setup.....	28
Optional service.....	28
Optimum environment.....	28
Space and airflow requirements.....	28
Temperature requirements.....	29
Power requirements.....	29
Electrical grounding requirements.....	30
Server warnings and cautions.....	30
Rack warnings.....	31
Identifying the contents of the server shipping carton.....	31
Installing hardware options	32
Installing the server into the rack.....	32
Installing the rack rail hook-and-loop strap.....	35
Installing the operating system.....	36
Selecting boot options in UEFI Boot Mode.....	37
Selecting boot options.....	37
Registering the server.....	37

Hardware options installation.....	38
Introduction.....	38
Installing a security bezel option.....	38
Drive options.....	38
Drive installation guidelines.....	38
Installing a non-hot-plug drive.....	39
Installing a hot-plug drive.....	40
Drive cable options.....	41
Two-bay LFF Smart Array Controller Mini-SAS cable option.....	41
Four-bay SFF Smart Array Controller Mini-SAS cable option.....	45
Storage controller options.....	48
Installing the storage controller and FBWC module options.....	48
Installing a Smart Storage Battery option.....	51
M.2 SSD SATA cable and optical drive extension power cable option.....	53
Installing one M.2 SSD and one optical drive.....	53
Installing two M.2 SSDs.....	60
Memory options.....	65
Memory and processor information.....	65
Memory subsystem architecture.....	67
Single-, dual-, and quad-rank DIMMs.....	67
DIMM identification.....	68
Memory configurations.....	69
Advanced ECC memory configuration.....	69
General DIMM slot population guidelines.....	69
Identifying the processor type.....	69
Installing a DIMM.....	70
Installing a GPU riser cage assembly.....	70
Installing a FlexibleLOM riser cage assembly.....	72
Installing a redundant power supply option.....	73
Trusted Platform Module option.....	78
Installing a Trusted Platform Module board.....	79
Retaining the recovery key/password.....	80
Enabling the Trusted Platform Module.....	81
Cabling.....	82
Cabling overview.....	82
Storage cabling.....	82
Two-bay LFF non-hot-plug drive cabling.....	82
Two-bay LFF hot-plug drive cabling.....	83
Four-bay SFF hot-plug drive cabling.....	83
M.2 SSD cabling.....	83
FBWC cabling.....	86
Smart Storage Battery cabling.....	87
H240 Hot Bust Adapter cabling.....	87
P440 Smart Array Controller cabling.....	89
Optical drive cabling.....	90
Fan cabling.....	91
Front I/O cabling.....	92
Power supply cabling.....	92
HPE 290W non-hot-plug power supply cabling.....	92
Redundant power supply backplane cabling.....	93

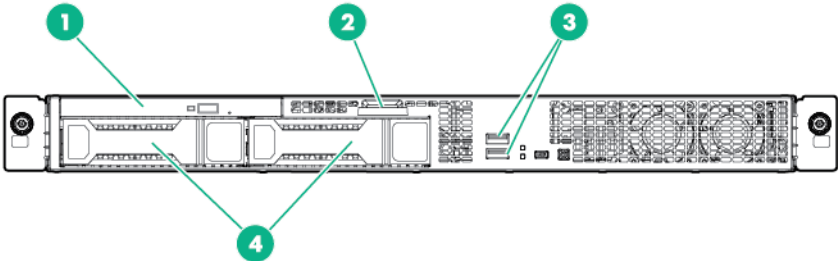
Software and configuration utilities.....	94
Server mode.....	94
Product QuickSpecs.....	94
HPE iLO.....	94
Active Health System.....	95
iLO RESTful API support.....	95
Integrated Management Log.....	95
HPE Insight Remote Support.....	95
HPE Insight Remote Support central connect.....	96
HPE Insight Online direct connect.....	96
Insight Online.....	96
Intelligent Provisioning.....	96
Insight Diagnostics.....	96
Insight Diagnostics survey functionality.....	97
Erase Utility.....	97
Scripting Toolkit for Windows and Linux.....	97
Service Pack for ProLiant.....	98
HP Smart Update Manager.....	98
UEFI System Utilities.....	98
Using UEFI System Utilities.....	98
Flexible boot control.....	99
Restoring and customizing configuration settings.....	99
Secure Boot configuration.....	100
Embedded UEFI shell.....	100
Embedded Diagnostics option.....	100
iLO RESTful API support for UEFI.....	100
Re-entering the server serial number and product ID.....	101
Utilities and features.....	101
HPE Smart Storage Administrator.....	101
Automatic Server Recovery.....	101
USB support.....	102
Redundant ROM support.....	102
Safety and security benefits.....	102
Keeping the system current.....	102
Access to Hewlett Packard Enterprise Support Materials.....	102
Updating firmware or System ROM.....	102
Service Pack for ProLiant.....	103
FWUPDATE utility.....	103
FWUpdate command from within the Embedded UEFI Shell.....	103
Firmware Update application in the UEFI System Utilities.....	104
Online Flash components.....	104
Drivers.....	104
Software and firmware.....	105
Operating System Version Support.....	105
Version control.....	105
Operating systems and virtualization software support for ProLiant servers.....	105
HPE Pointnext Portfolio.....	105
Change control and proactive notification.....	106
Troubleshooting.....	107
Troubleshooting resources.....	107

Replacing the system battery.....	108
Warranty and regulatory information.....	110
Warranty information.....	110
Regulatory information.....	110
Safety and regulatory compliance.....	110
Belarus Kazakhstan Russia marking.....	110
Turkey RoHS material content declaration.....	111
Ukraine RoHS material content declaration.....	111
Specifications.....	112
Environmental specifications.....	112
Mechanical specifications.....	112
Power supply specifications.....	112
Support and other resources.....	114
Accessing Hewlett Packard Enterprise Support.....	114
Information to collect.....	114
Accessing updates.....	114
Websites.....	114
Customer Self Repair	115
Remote support.....	121
Documentation feedback.....	121
Acronyms and abbreviations.....	122

Component identification

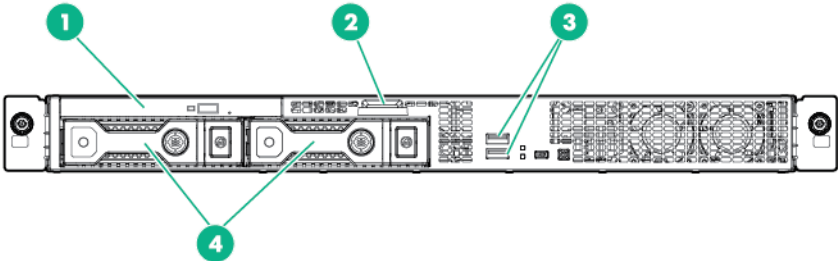
Front panel components

- Two-bay LFF non-hot-plug drive model



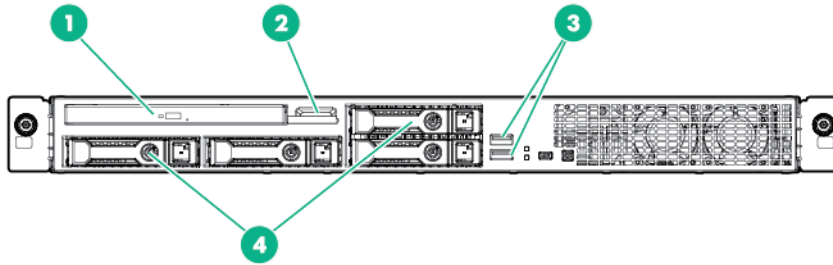
Item	Description
1	Optical drive (optional)
2	Serial label pull tab
3	USB 2.0 connectors
4	Drive bays

- Two-bay LFF hot-plug drive model



Item	Description
1	Optical drive (optional)
2	Serial label pull tab
3	USB 2.0 connectors
4	Drive bays

- Four-bay SFF hot-plug drive model



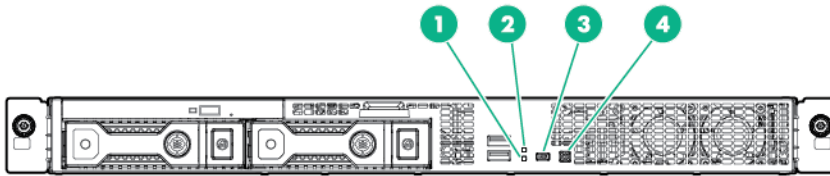
Item	Description
1	Optical drive (optional)
2	Serial label pull tab
3	USB 2.0 connectors
4	Drive bays

Serial label pull tab information

The horizontally-oriented node serial number and iLO label pull tab is located on the rear node panel. The following server labels are attached to this pull tab:

- Top — Server serial number label
- Bottom - Default iLO account information label and customer asset tag label

Front panel LEDs and buttons



Item	Description	Status
1	NIC status LED ¹	Solid green = Link to network Flashing green (1 flash per second) = Network active Off = No network activity
2	Health LED ¹	Solid green = Normal Flashing green (1 flash per second) = iLO is rebooting Flashing amber = System degraded ² Flashing red = System critical ²
3	UID button/LED ¹	Solid blue = Activated Flashing blue: <ul style="list-style-type: none"> • 1 flash per second = Remote management or firmware upgrade in progress • 4 flashes per second = iLO manual soft reboot sequence initiated • 8 flashes per second = iLO manual hard reboot sequence in progress Off = Deactivated
4	Power On/Standby button and system power LED ¹	Solid green = System on Flashing green (1 flash per second) = Performing power on sequence Solid amber = System in standby Off = No power present ³

¹ When the LEDs described in this table flash simultaneously, a power fault has occurred. For more information, see "**Power Fault LEDs.**"

Item	Description	Status
------	-------------	--------

² If the health LED indicates a degraded or critical state, review the system IML or use iLO to review the system health status. For more information, see **"Integrated Management Log."**

³ Facility power is not present, power cord is not attached, no power supplies are installed, power supply failure has occurred, or the power button cable is disconnected.

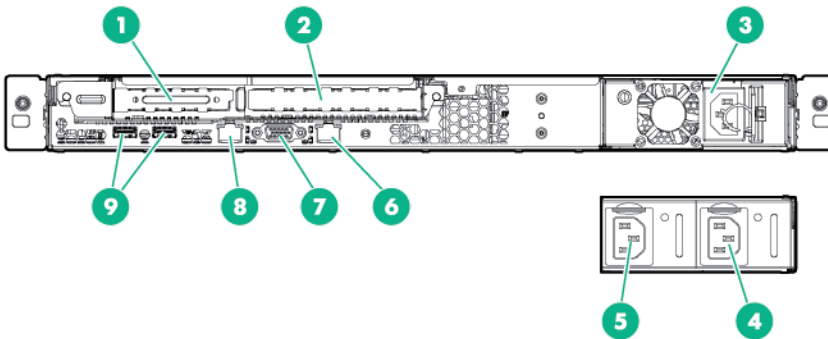
Table Continued

Power fault LEDs

The following table provides a list of power fault LEDs, and the subsystems that are affected. Not all power faults are used by all servers.

Subsystem	LED behavior
System board	1 flash
Processor	2 flashes
Memory	3 flashes
Riser board PCIe slots	4 flashes
FlexibleLOM	5 flashes
Removable HPE Flexible Smart Array controller/Smart SAS HBA controller	6 flashes
System board PCIe slots	7 flashes
Power backplane or storage backplane	8 flashes
Power supply	9 flashes

Rear panel components

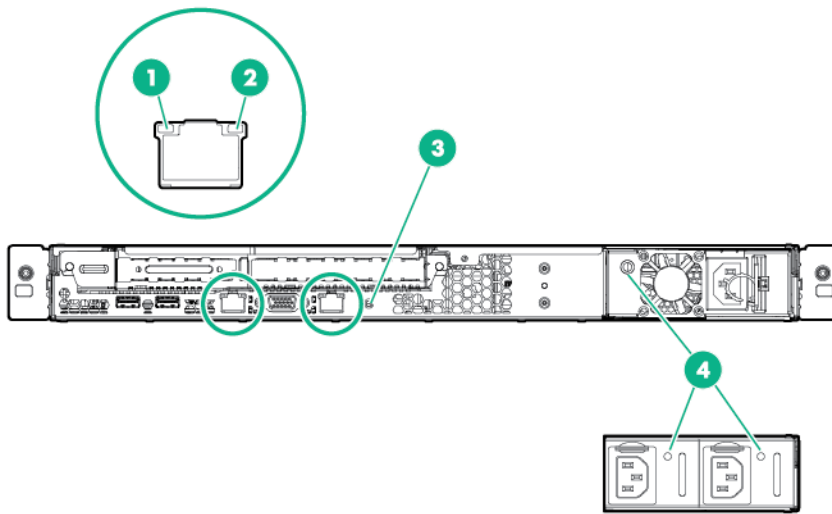


Item	Description
1	Slot 1 PCIe/FlexibleLOM
2	Slot 2 PCIe
3	Non-hot-plug power supply
4	Hot-plug power supply 2
5	Hot-plug power supply 1

Table Continued

Item	Description
6	NIC connector 2
7	Video connector
8	NIC connector 1/iLO management connector
9	USB 3.0 connectors (2)

Rear panel LEDs



Item	Description	Status
1	NIC link LED	Green = Network link Off = No network link
2	NIC activity LED	Solid green = Link to network Flashing green = Network active Off = No network activity

Table Continued

Item	Description	Status
3	UID LED	Solid blue = Activated Flashing blue: <ul style="list-style-type: none"> • 1 flash per second = Remote management or firmware upgrade in progress • 4 flashes per second = iLO manual reboot sequence initiated • 8 flashes per second = iLO manual reboot sequence in progress • Off = deactivated
4	Power supply LED	Solid green = Normal Off = One or more of the following conditions exists: <ul style="list-style-type: none"> • Power is unavailable • Power supply failed • Power supply is in standby mode • Power supply error

PCIe riser board slot definitions

- FlexibleLOM riser board

Slot number	Form factor	Slot description
FlexibleLOM slot	FlexibleLOM	PCIe x8
2	PCIe 3	PCIe3 x8 (8,4,2,1)

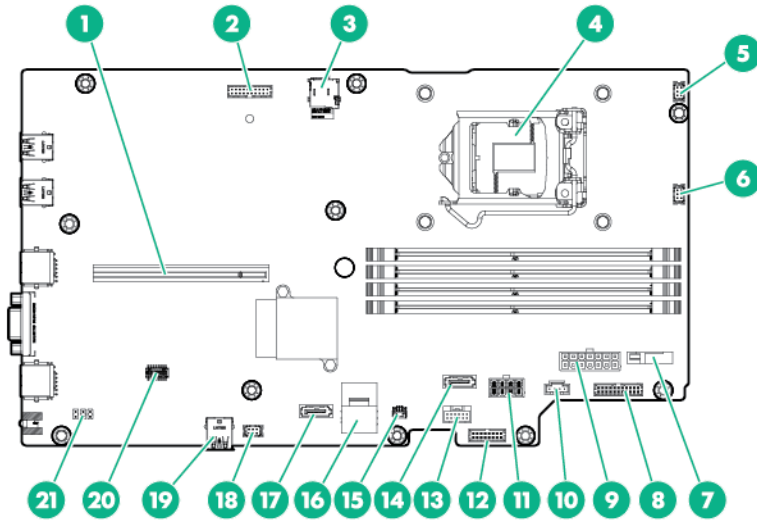
- Two-slot riser board

Slot number	Form factor	Slot description
1	Low-profile	PCIe3 x8 (8,4,2,1)
2	Full-height, half-length	PCIe3 x8 (8,4,2,1)

- GPU riser board

Slot number	Form factor	Slot description
—	—	—
2	Full-height, half-length	PCIe3 x16 (16,8,4,2,1)

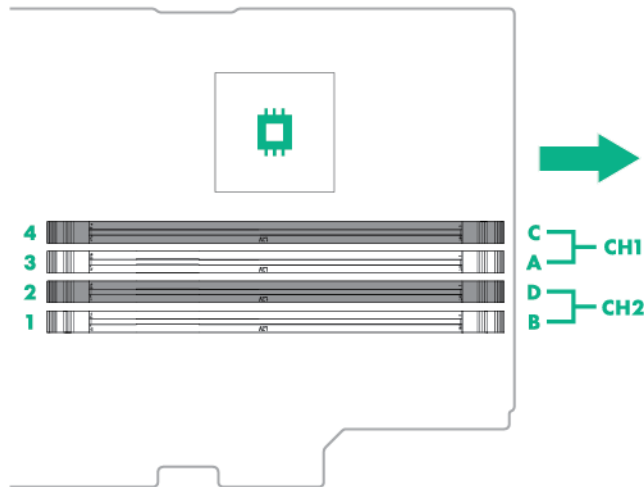
System board components



Item	Description
1	PCIe riser connector*
2	Trusted module connector
3	microSD slot
4	Processor
5	Fan connector 2
6	Fan connector 1
7	System battery
8	Front I/O connector
9	14-pin power connector
10	4-pin power connector
11	8-pin power connector
12	Power supply sideband signal connector
13	Smart Storage Battery connector
14	SATA connector for M.2 SSD/optical drive
15	Storage backup power connector
16	Mini-SAS connector
17	SATA connector for M.2 SSD
18	Fan connector 3
19	Internal USB 3.0 connector
20	System maintenance switch
21	NMI header

* For more information on the riser board slots supported by the onboard PCI riser connectors, see "[PCIe riser board slot definitions](#)."

DIMM slot locations



The arrow points to the front of the server.

System maintenance switch

Position	Default	Function
S1	Off	Off = iLO security is enabled. On = iLO security is disabled.
S2	Off	Off = System configuration can be changed. On = System configuration is locked.
S3	Off	Reserved
S4	Off	Reserved
S5	Off	Off = Power-on password is enabled. On = Power-on password is disabled.
S6	Off	Off = No function On = ROM reads system configuration as invalid.
S7	Off	Off = Set default boot mode to UEFI. On = Set default boot mode to legacy.
S8	—	Reserved

Table Continued

Position	Default	Function
S9	—	Reserved
S10	—	Reserved
S11	—	Reserved
S12	—	Reserved

To access the redundant ROM, set S1, S5, and S6 to On.

When system maintenance switch S6 is set to the On position, the system is prepared to erase all system configuration settings from both CMOS and NVRAM.

! **IMPORTANT:**

Before using the S7 switch to change to Legacy BIOS Boot Mode, be sure the HPE Dynamic Smart Array B140i Controller is disabled. Do not use the B140i controller when the server is in Legacy BIOS Boot Mode.

⚠ **CAUTION:**

Clearing CMOS, NVRAM or both deletes configuration information. Be sure to configure the server properly to prevent data loss.

NMI functionality

An NMI crash dump creates a crash dump log before resetting a system which is not responding.

Crash dump log analysis is an essential part of diagnosing reliability problems, such as failures of operating systems, device drivers, and applications. Many crashes freeze a system, and the only available action for administrators is to restart the system. Resetting the system erases any information which could support problem analysis, but the NMI feature preserves that information by performing a memory dump before a system reset.

To force the system to invoke the NMI handler and generate a crash dump log, do one of the following:

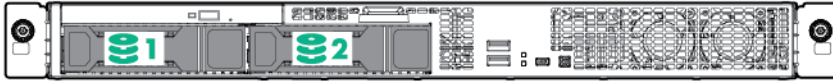
- Use the iLO Virtual NMI feature.
- **Short the NMI header.**

For more information, see the [Hewlett Packard Enterprise website](#).

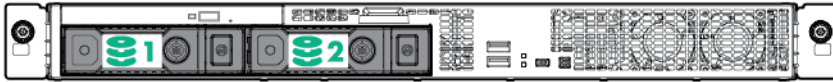
Drive numbering

The following images show the drive numbering for each of the supported drive configurations. For drive box numbering information, see "[Front panel components](#)."

- Two-bay LFF non-hot-plug drive model



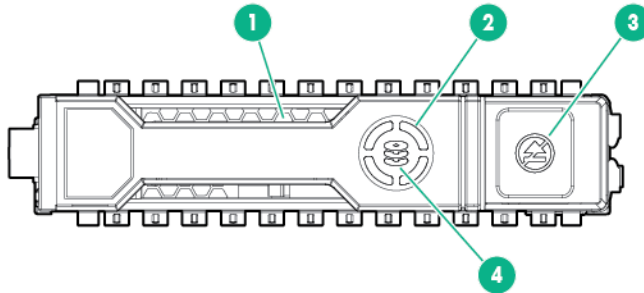
- Two-bay LFF hot-plug drive model



- Four-bay SFF hot-plug drive model



Hot-plug drive LED definitions



Item	LED	Status	Definition
1	Locate	Solid blue	The drive is being identified by a host application.
		Flashing blue	The drive carrier firmware is being updated or requires an update.
2	Activity ring	Rotating green	Drive activity.
		Off	No drive activity.
3	Do not remove	Solid white	Do not remove the drive. Removing the drive causes one or more of the logical drives to fail.
		Off	Removing the drive does not cause a logical drive to fail.
4	Drive status	Solid green	The drive is a member of one or more logical drives.
		Flashing green	The drive is rebuilding or performing a RAID migration, strip size migration, capacity expansion, or logical drive extension, or is erasing.

Table Continued

Item	LED	Status	Definition
		Flashing amber/green	The drive is a member of one or more logical drives and predicts the drive will fail.
		Flashing amber	The drive is not configured and predicts the drive will fail.
		Solid amber	The drive has failed.
		Off	The drive is not configured by a RAID controller.

The blue Locate LED is behind the release lever and is visible when illuminated.

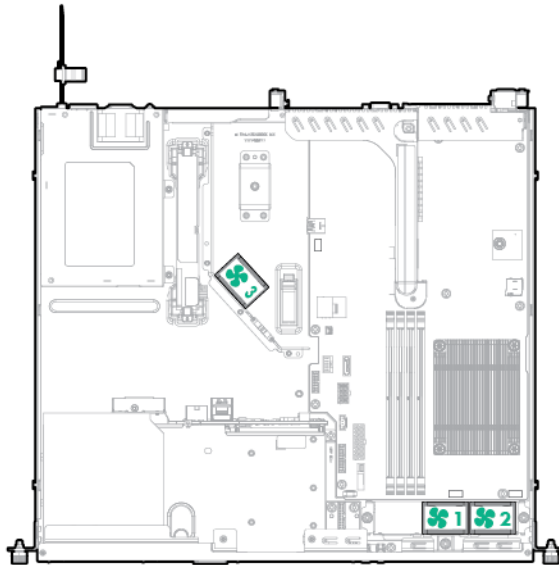
ⓘ IMPORTANT:

The Dynamic Smart Array B140i Controller is only available in UEFI Boot Mode. It cannot be enabled in Legacy BIOS Boot Mode. If the B140i controller is disabled, drives connected to the system board Mini-SAS connectors operate in AHCI or Legacy mode. Under this condition:

- The drives cannot be a part of a hardware RAID or a logical drive.
- The Locate, Drive status, and Do not remove LEDs of the affected drives are disabled.

Use BIOS/Platform Configuration (RBSU) in the **UEFI System Utilities** to enable or disable the B140i controller (System Configuration, BIOS/Platform Configuration (RBSU), System Options, SATA Controller Options, Embedded SATA Configuration).

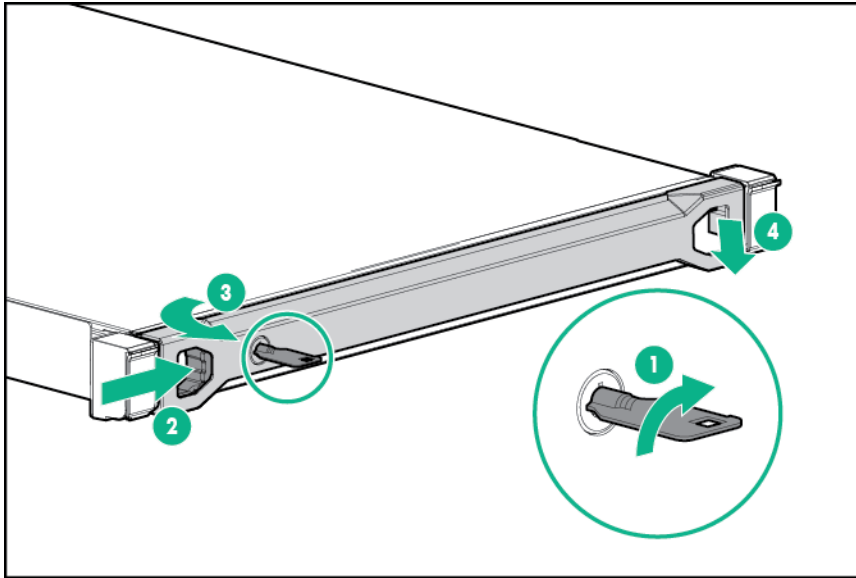
Fan locations



Operations

Removing the security bezel

To access the front panel components, unlock and remove the security bezel.



Powering up the server

Procedure

1. To power up the server, press the Power On/Standby button.

Power down the server

Before powering down the server for any upgrade or maintenance procedures, perform a backup of critical server data and programs.

! **IMPORTANT:**
When the server is in standby mode, auxiliary power is still being provided to the system.

To power down the server, use one of the following methods:

- Press and release the Power On/Standby button.
This method initiates a controlled shutdown of applications and the OS before the server enters standby mode.
- Press and hold the Power On/Standby button for more than 4 seconds to force the server to enter standby mode.
This method forces the server to enter standby mode without properly exiting applications and the OS. If an application stops responding, you can use this method to force a shutdown.
- Use a virtual power button selection through iLO.
This method initiates a controlled remote shutdown of applications and the OS before the server enters standby mode.

Before proceeding, verify that the server is in standby mode by observing that the system power LED is amber.

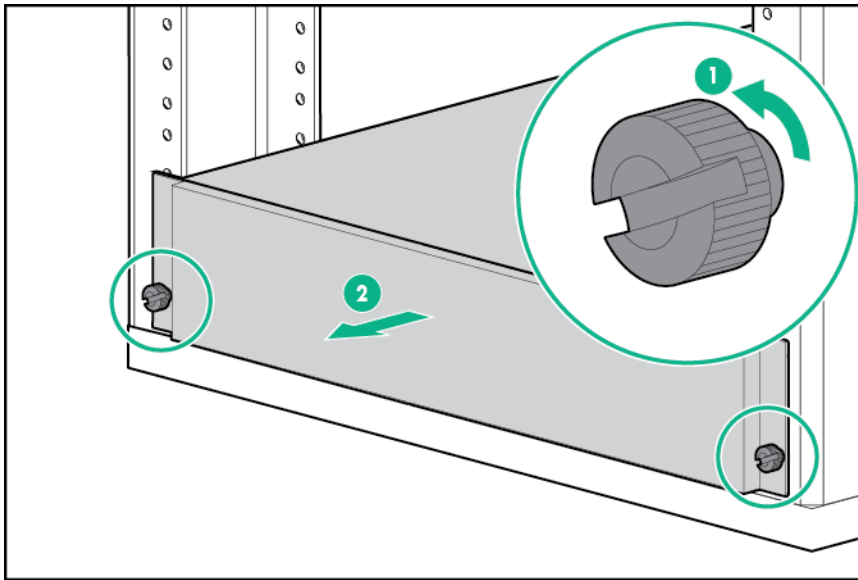
Extending the server from the rack

△ CAUTION:

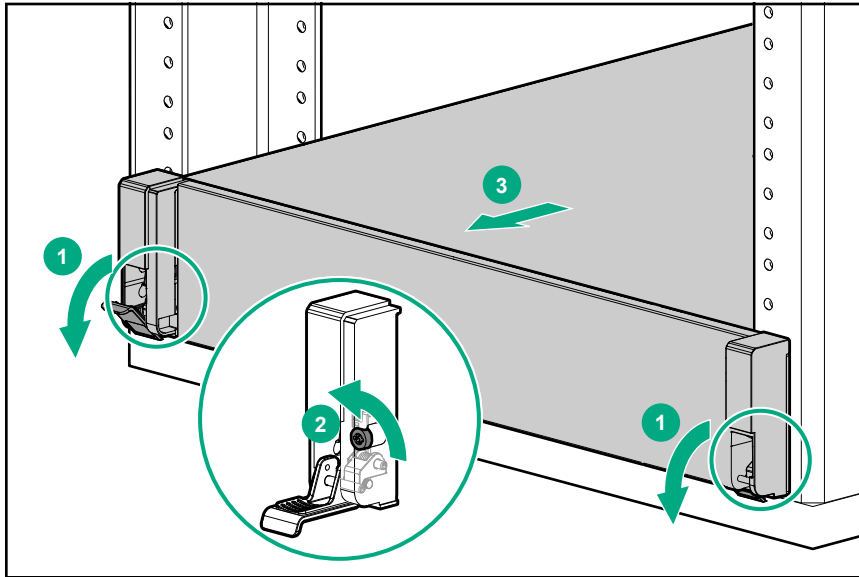
To reduce the risk of personal injury or equipment damage, be sure that the rack is adequately stabilized before extending a component from the rack.

Procedure

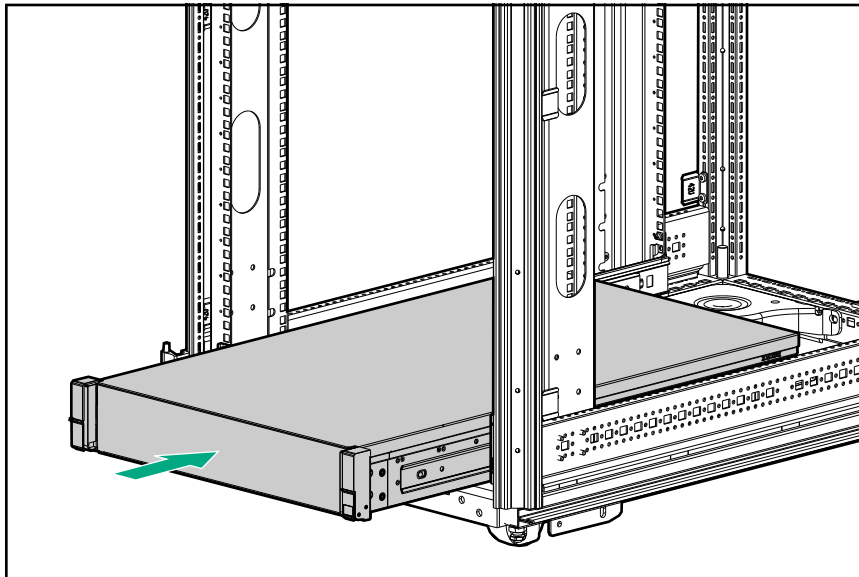
1. **Power down the server.**
2. Disconnect all peripheral cables from the server.
3. Disconnect each power cord from the server.
4. In a server that uses thumbscrew rack ears, loosen the captive thumbscrews that secure the server faceplate to the front of the rack, then slide the server out of the rack.



5. In a server that uses quick-release latch rack ears:
 - a. Open the latches on both sides of the server.
 - b. If necessary, use a T-25 Torx screwdriver to loosen the shipping screws.
 - c. Slide the server out of the rack.



6. After performing the installation or maintenance procedure, slide the server back into the rack, and then press the server firmly into the rack to secure it in place.



7. Do one of the following:
 - In a server that uses thumbscrew rack ears, tighten the captive thumbscrews.
 - In a server that uses quick-release latch rack ears, if necessary, tighten the shipping screws.
8. Connect each power cord to the server.
9. Connect all peripheral cables to the server.
10. Power up the server.

Removing the server from the rack



WARNING:

The server is very heavy. To reduce the risk of personal injury or damage to the equipment:

- Observe local occupational health and safety requirements and guidelines for manual material handling.
 - Get help to lift and stabilize the product during installation or removal, especially when the product is not fastened. Hewlett Packard Enterprise recommends that a minimum of two people are required for all rack server installations. A third person may be required to help align the server if the server is installed higher than chest level.
 - Use caution when installing the server in or removing the server from the rack; it is unstable when not fastened to the rails.
-

Procedure

1. **Power down the server.**
2. Extend the server on the rack rails until the server rail-release latches engage.
3. Disconnect all peripheral cables from the server.
4. Disconnect each power cord from the server.
5. Remove the server from the rack.

For instructions on how to extend or remove the server from the rack, see the documentation that ships with the rack rail system.

6. Place the server on a sturdy and level surface.

Removing the access panel



WARNING:

To reduce the risk of personal injury from hot surfaces, allow the drives and the internal system components to cool before touching them.



CAUTION:

To prevent damage to electrical components, take the appropriate anti-static precautions before beginning any installation, removal, or replacement procedure. Improper grounding can cause electrostatic discharge.



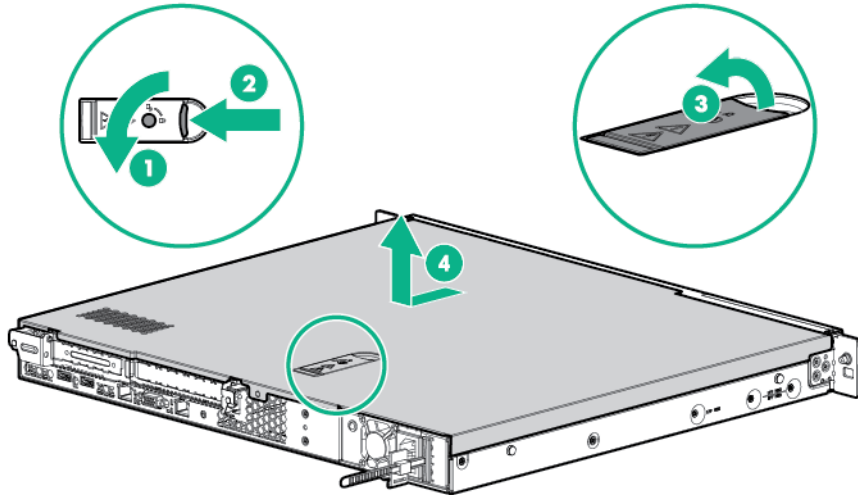
CAUTION:

Do not operate the server for long periods with the access panel open or removed. Operating the server in this manner results in improper airflow and improper cooling that can lead to thermal damage.

Procedure

1. If installed, **remove the security bezel.**
2. **Power down the server.**
3. If you are performing a non-hot-plug procedure, remove all power:
 - a. Disconnect each power cord from the power source.
 - b. Disconnect each power cord from the server.
4. Do one of the following:

- **Extend the server from the rack.**
 - **Remove the server from the rack.**
5. If the locking latch is locked, use a T-15 Torx screwdriver to unlock the latch.
 6. Open the locking latch.
The access panel slides back, releasing it from the chassis.
 7. Lift and remove the access panel.

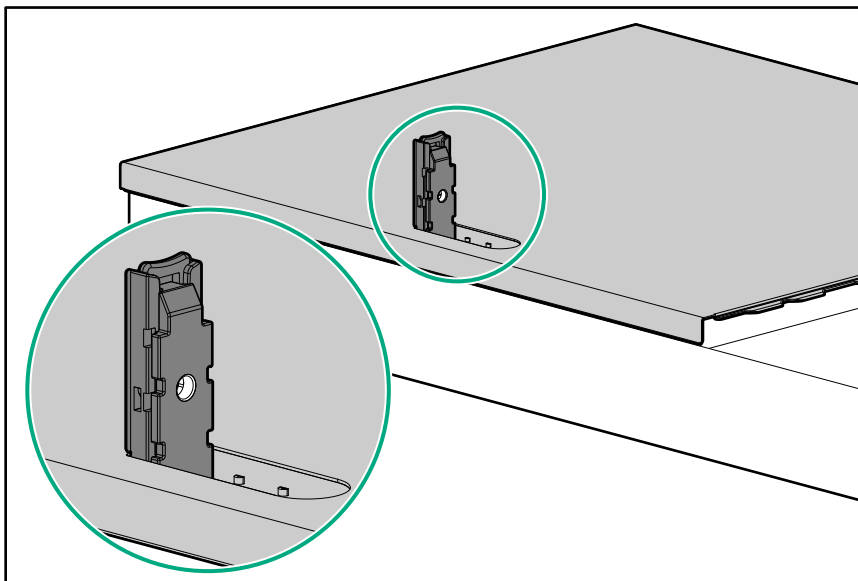


Turn the access panel over to locate the server hood label. This label provides convenient access to component identification, LED status indicators, and system maintenance switch settings information.

Installing the access panel

Procedure

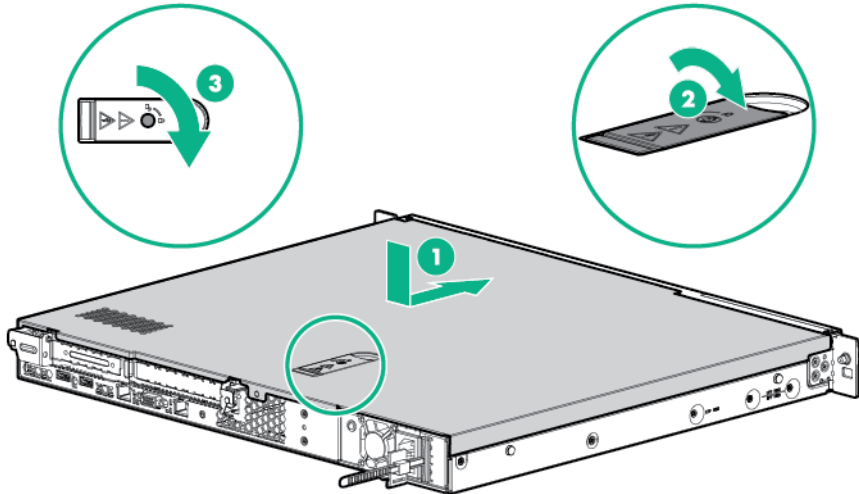
1. Ensure that the access panel latch is in the open position.



2. Align the hole in the access panel latch with the guide pin on the chassis.
3. Close the access panel latch.

The access panel slides to a closed position.

4. Use a T-15 Torx screw driver to tighten the access panel latch screw.



Removing the PCI riser cage



WARNING:

To reduce the risk of personal injury from hot surfaces, allow the drives and the internal system components to cool before touching them.

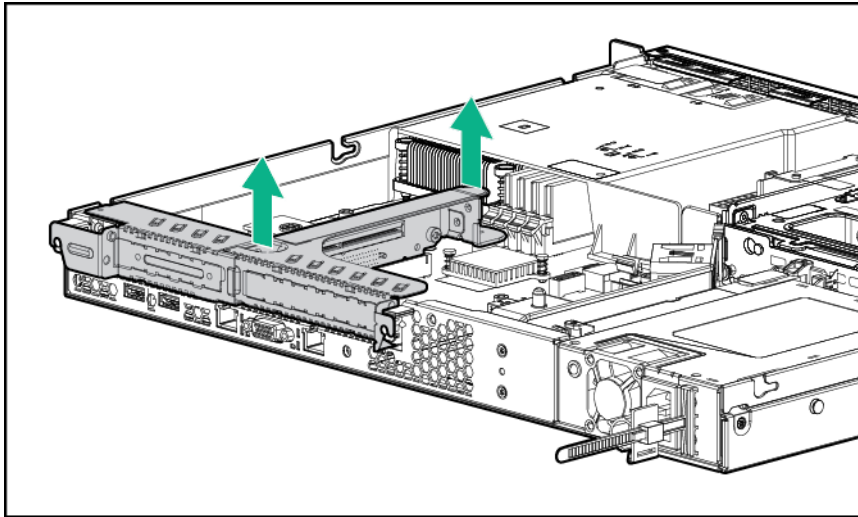


CAUTION:

To prevent damage to the server or expansion boards, power down the server, and disconnect all power cords before removing or installing the PCI riser cage.

Procedure

1. If installed, **remove the security bezel.**
2. **Power down the server.**
3. If you are performing a non-hot-plug procedure, remove all power:
 - a. Disconnect each power cord from the power source.
 - b. Disconnect each power cord from the server.
4. Do one of the following:
 - **Extend the server from the rack.**
 - **Remove the server from the rack.**
5. **Remove the access panel.**
6. Disconnect all cables connected to existing expansion boards.
7. Remove the existing PCI riser cage.



Retain the cage for future use.

Installing the PCI riser cage

⚠ CAUTION:

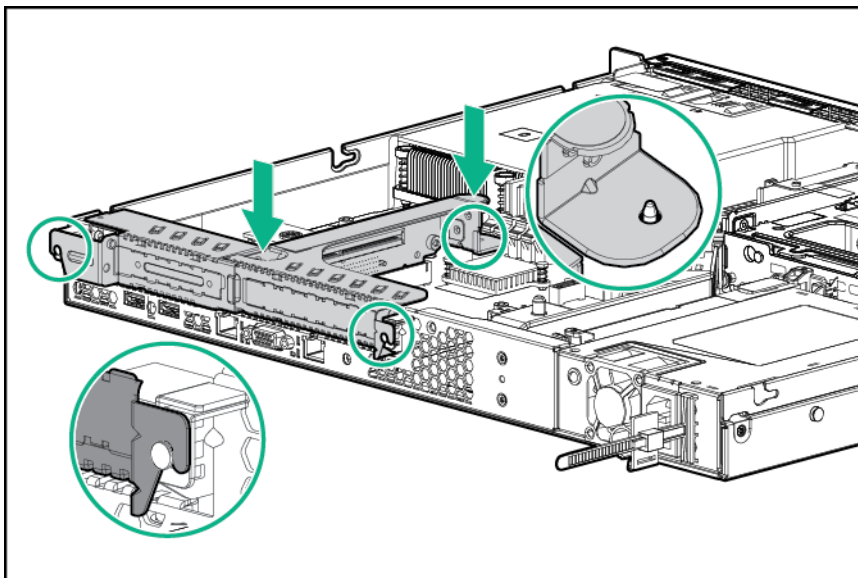
To prevent damage to the server or expansion boards, power down the server, and disconnect all power cords before removing or installing the PCI riser cage.

Procedure

1. If cabled expansion boards are installed on the PCI riser cage, connect all necessary internal cabling to the expansion boards.

For more information on these cabling requirements, see the documentation that ships with the option.

2. Align the riser board with the corresponding connectors on the system board, then press down on the PCI riser cage.



3. **Install the access panel.**
4. Do one of the following:

- Slide the server into the rack.
 - **Install the server into the rack.**
5. **Power up the server.**

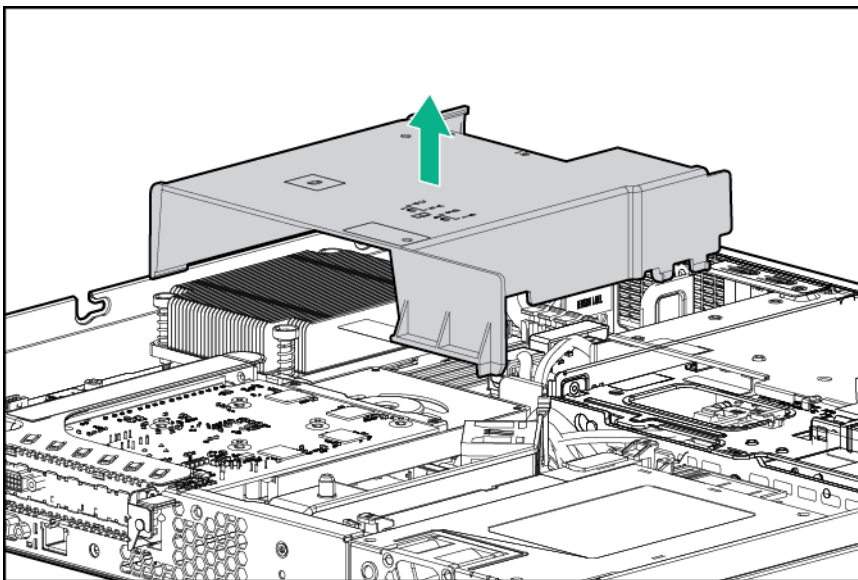
Removing the air baffle

△ CAUTION:

For proper cooling, do not operate the server without the access panel, baffles, expansion slot covers, or blanks installed. If the server supports hot-plug components, minimize the amount of time the access panel is open.

Procedure

1. If installed, **remove the security bezel.**
2. **Power down the server.**
3. Remove all power:
 - a. Disconnect each power cord from the power source.
 - b. Disconnect each power cord from the server.
4. Do one of the following:
 - **Extend the server from the rack.**
 - **Remove the server from the rack.**
5. **Remove the access panel.**
6. Remove the air baffle.



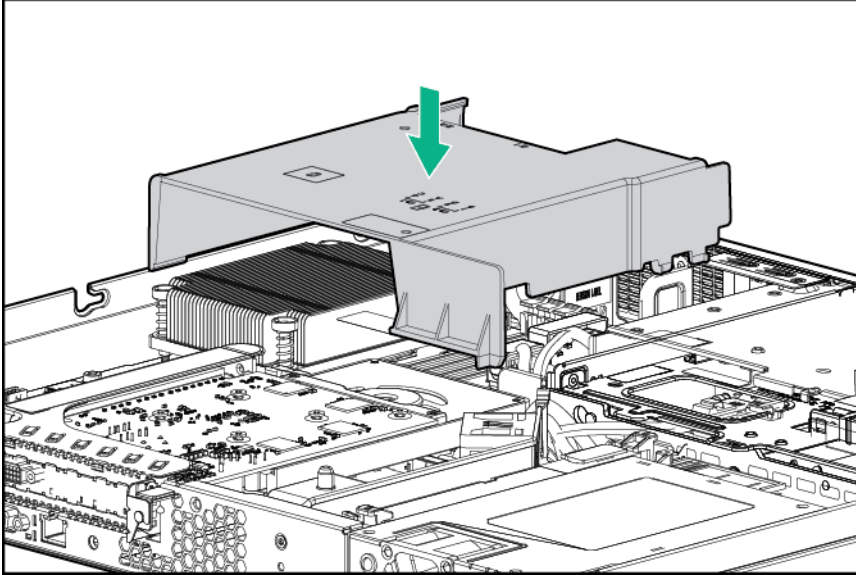
Installing the air baffle

△ CAUTION:

For proper cooling, do not operate the server without the access panel, baffles, expansion slot covers, or blanks installed. If the server supports hot-plug components, minimize the amount of time the access panel is open.

Procedure

1. Install the air baffle.



2. **Install the access panel.**
3. Do one of the following:
 - Slide the server into the rack.
 - **Install the server into the rack.**
4. **Power up the server.**

Setup

Optional service

Delivered by experienced, certified engineers, HPE support services help you keep your servers up and running with support packages tailored specifically for HPE ProLiant systems. HPE support services let you integrate both hardware and software support into a single package. A number of service level options are available to meet your business and IT needs.

HPE support services offer upgraded service levels to expand the standard product warranty with easy-to-buy, easy-to-use support packages that will help you make the most of your server investments. Some of the HPE support services for hardware, software or both are:

- Foundation Care – Keep systems running.
 - 6-Hour Call-to-Repair¹
 - 4-Hour 24x7
 - Next Business Day
- Proactive Care – Help prevent service incidents and get you to technical experts when there is one.
 - 6-Hour Call-to-Repair¹
 - 4-Hour 24x7
 - Next Business Day
- Deployment service for both hardware and software
- HPE Education Services – Help train your IT staff.

¹The time commitment for this repair service might vary depending on the site's geographical region. For more service information available in your site, contact your local [HPE support center](#).

For more information on HPE support services, see the [Hewlett Packard Enterprise website](#).

Optimum environment

When installing the server in a rack, select a location that meets the environmental standards described in this section.

Space and airflow requirements

To allow for servicing and adequate airflow, observe the following space and airflow requirements when deciding where to install a rack:

- Leave a minimum clearance of 63.5 cm (25 in) in front of the rack.
- Leave a minimum clearance of 76.2 cm (30 in) behind the rack.
- Leave a minimum clearance of 121.9 cm (48 in) from the back of the rack to the back of another rack or row of racks.

Hewlett Packard Enterprise servers draw in cool air through the front door and expel warm air through the rear door. Therefore, the front and rear rack doors must be adequately ventilated to allow ambient room air to enter the cabinet, and the rear door must be adequately ventilated to allow the warm air to escape from the cabinet.



CAUTION:

To prevent improper cooling and damage to the equipment, do not block the ventilation openings.

When vertical space in the rack is not filled by a server or rack component, the gaps between the components cause changes in airflow through the rack and across the servers. Cover all gaps with blanking panels to maintain proper airflow.

-
- ⚠ CAUTION:**
Always use blanking panels to fill empty vertical spaces in the rack. This arrangement ensures proper airflow. Using a rack without blanking panels results in improper cooling that can lead to thermal damage.
-

The 9000 and 10000 Series Racks provide proper server cooling from flow-through perforations in the front and rear doors that provide 64 percent open area for ventilation.

- ⚠ CAUTION:**
When using a Compaq branded 7000 series rack, install the high airflow rack door insert (PN 327281-B21 for 42U rack, PN 157847-B21 for 22U rack) to provide proper front-to-back airflow and cooling.
-

- ⚠ CAUTION:**
If a third-party rack is used, observe the following additional requirements to ensure adequate airflow and to prevent damage to the equipment:
- Front and rear doors—If the 42U rack includes closing front and rear doors, you must allow 5,350 sq cm (830 sq in) of holes evenly distributed from top to bottom to permit adequate airflow (equivalent to the required 64 percent open area for ventilation).
 - Side—The clearance between the installed rack component and the side panels of the rack must be a minimum of 7 cm (2.75 in).
-

Temperature requirements

To ensure continued safe and reliable equipment operation, install or position the system in a well-ventilated, climate-controlled environment.

The maximum recommended ambient operating temperature (TMRA) for most server products is 35°C (95°F). The temperature in the room where the rack is located must not exceed 35°C (95°F).

- ⚠ CAUTION:**
To reduce the risk of damage to the equipment when installing third-party options:
- Do not permit optional equipment to impede airflow around the server or to increase the internal rack temperature beyond the maximum allowable limits.
 - Do not exceed the manufacturer's TMRA.
-

Power requirements

Installation of this equipment must comply with local and regional electrical regulations governing the installation of information technology equipment by licensed electricians. This equipment is designed to operate in installations covered by NFPA 70, 1999 Edition (National Electric Code) and NFPA-75, 1992 (code for Protection of Electronic Computer/Data Processing Equipment). For electrical power ratings on options, refer to the product rating label or the user documentation supplied with that option.

- ⚠ WARNING:**
To reduce the risk of personal injury, fire, or damage to the equipment, do not overload the AC supply branch circuit that provides power to the rack. Consult the electrical authority having jurisdiction over wiring and installation requirements of your facility.
-

- ⚠ CAUTION:**
Protect the server from power fluctuations and temporary interruptions with a regulating uninterruptible power supply. This device protects the hardware from damage caused by power surges and voltage spikes and keeps the system in operation during a power failure.
-

When installing more than one server, you might need to use additional power distribution devices to safely provide power to all devices. Observe the following guidelines:

- Balance the server power load between available AC supply branch circuits.
- Do not allow the overall system AC current load to exceed 80% of the branch circuit AC current rating.
- Do not use common power outlet strips for this equipment.
- Provide a separate electrical circuit for the server.

For more information on the hot-plug power supply and calculators to determine server power consumption in various system configurations, see the [Hewlett Packard Enterprise Power Advisor website](#).

Electrical grounding requirements

The server must be grounded properly for proper operation and safety. In the United States, you must install the equipment in accordance with NFPA 70, 1999 Edition (National Electric Code), Article 250, as well as any local and regional building codes. In Canada, you must install the equipment in accordance with Canadian Standards Association, CSA C22.1, Canadian Electrical Code. In all other countries, you must install the equipment in accordance with any regional or national electrical wiring codes, such as the International Electrotechnical Commission (IEC) Code 364, parts 1 through 7. Furthermore, you must be sure that all power distribution devices used in the installation, such as branch wiring and receptacles, are listed or certified grounding-type devices.

Because of the high ground-leakage currents associated with multiple servers connected to the same power source, Hewlett Packard Enterprise recommends the use of a PDU that is either permanently wired to the building's branch circuit or includes a nondetachable cord that is wired to an industrial-style plug. NEMA locking-style plugs or those complying with IEC 60309 are considered suitable for this purpose. Using common power outlet strips for the server is not recommended.

Server warnings and cautions

 **WARNING:**

This server is very heavy. To reduce the risk of personal injury or damage to the equipment:

- Observe local occupational health and safety requirements and guidelines for manual material handling.
- Get help to lift and stabilize the product during installation or removal, especially when the product is not fastened to the rails. Hewlett Packard Enterprise recommends that a minimum of two people are required for all rack server installations. A third person may be required to help align the server if the server is installed higher than chest level.
- Use caution when installing the server in or removing the server from the rack; it is unstable when not fastened to the rails.

 **WARNING:**

To reduce the risk of personal injury from hot surfaces, allow the drives and the internal system components to cool before touching them.

 **WARNING:**

To reduce the risk of personal injury, electric shock, or damage to the equipment, remove the power cord to remove power from the server. The front panel Power On/Standby button does not completely shut off system power. Portions of the power supply and some internal circuitry remain active until AC power is removed.

⚠ CAUTION:

Protect the server from power fluctuations and temporary interruptions with a regulating uninterruptible power supply. This device protects the hardware from damage caused by power surges and voltage spikes and keeps the system in operation during a power failure.

⚠ CAUTION:

Do not operate the server for long periods with the access open or removed. Operating the server in this manner results in improper airflow and improper cooling that can lead to thermal damage.

Rack warnings

⚠ WARNING:

To reduce the risk of personal injury or damage to the equipment, be sure that:

- The leveling jacks are extended to the floor.
 - The full weight of the rack rests on the leveling jacks.
 - The stabilizing feet are attached to the rack if it is a single-rack installation.
 - The racks are coupled together in multiple-rack installations.
 - Only one component is extended at a time. A rack may become unstable if more than one component is extended for any reason.
-

⚠ WARNING:

To reduce the risk of personal injury or equipment damage when unloading a rack:

- At least two people are needed to safely unload the rack from the pallet. An empty 42U rack can weigh as much as 115 kg (253 lb), can stand more than 2.1 m (7 ft) tall, and might become unstable when being moved on its casters.
 - Never stand in front of the rack when it is rolling down the ramp from the pallet. Always handle the rack from both sides.
-

⚠ WARNING:

To reduce the risk of personal injury or damage to the equipment, adequately stabilize the rack before extending a component outside the rack. Extend only one component at a time. A rack may become unstable if more than one component is extended.

⚠ WARNING:

When installing a server in a telco rack, be sure that the rack frame is adequately secured at the top and bottom to the building structure.

Identifying the contents of the server shipping carton

Unpack the server shipping carton and locate the materials and documentation necessary for installing the server. All the rack mounting hardware necessary for installing the server into the rack is included with the rack or the server.

The contents of the server shipping carton include:

- Server
- Power cord
- Hardware documentation and software products
- Rack-mounting hardware and documentation

In addition to the supplied items, you might need:

- Operating system or application software
- Hardware options
- Screwdriver

Installing hardware options

Install any hardware options before initializing the server. For options installation information, refer to the option documentation. For server-specific information, refer to "**Hardware options installation.**"

Installing the server into the rack

To install the server into a rack with square, round, or threaded holes, refer to the instructions that ship with the rack hardware kit.

Follow the server-specific instructions on the website to install the rack brackets.



WARNING:

This server is heavy. To reduce the risk of personal injury or damage to the equipment:

- Observe local occupational health and safety requirements and guidelines for manual material handling.
- Get help to lift and stabilize the product during installation or removal, especially when the product is not fastened to the rails. Hewlett Packard Enterprise recommends that a minimum of two people are required for all rack server installations. A third person may be required to help align the server if the server is installed higher than chest level.
- Use caution when installing the server in or removing the server from the rack; it is unstable when not fastened to the rails.



CAUTION:

Always plan the rack installation so that the heaviest item is on the bottom of the rack. Install the heaviest item first, and continue to populate the rack from the bottom to the top.

To install the server in a Hewlett Packard Enterprise, Compaq-branded, Telco, or a third-party rack:

Procedure

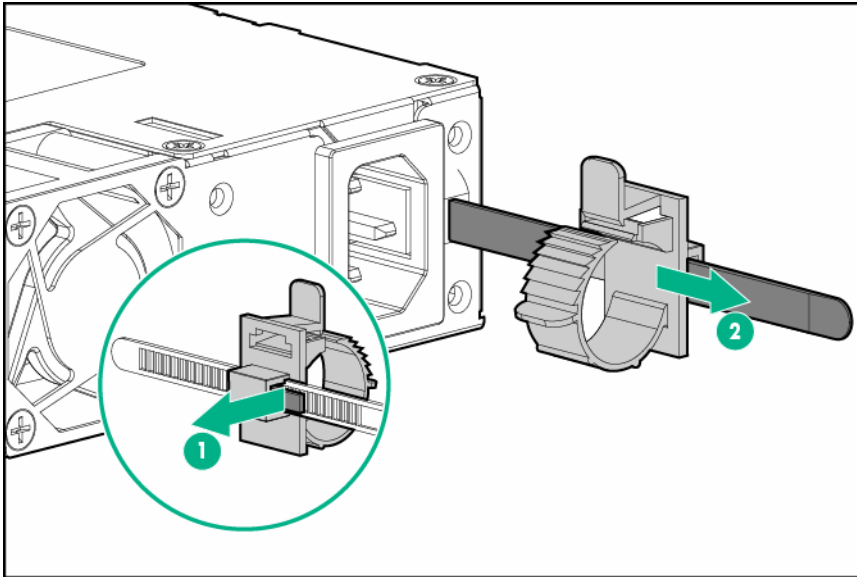
1. Install the server and cable management arm option into the rack. See the documentation that ships with the Quick Deploy Rail System.
2. Connect peripheral devices to the server.



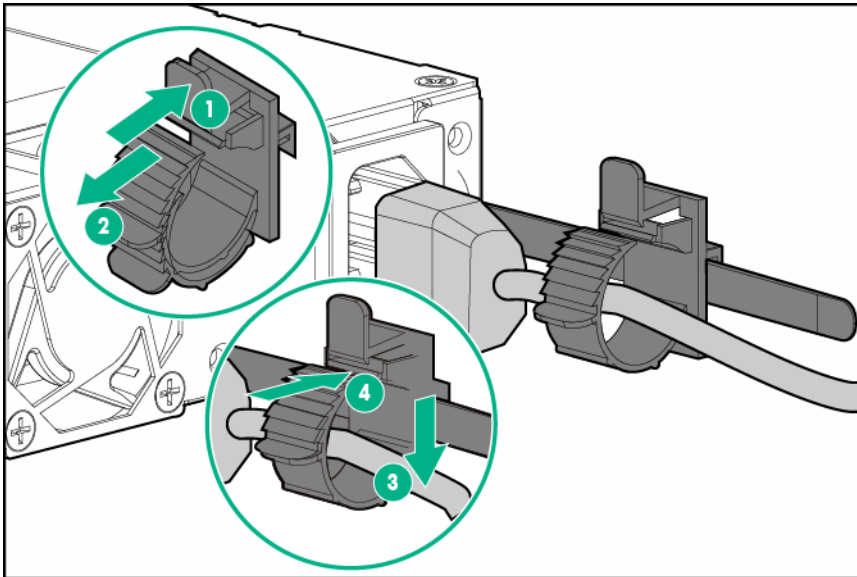
WARNING:

To reduce the risk of electric shock, fire, or damage to the equipment, do not plug telephone or telecommunications connectors into RJ-45 connectors.

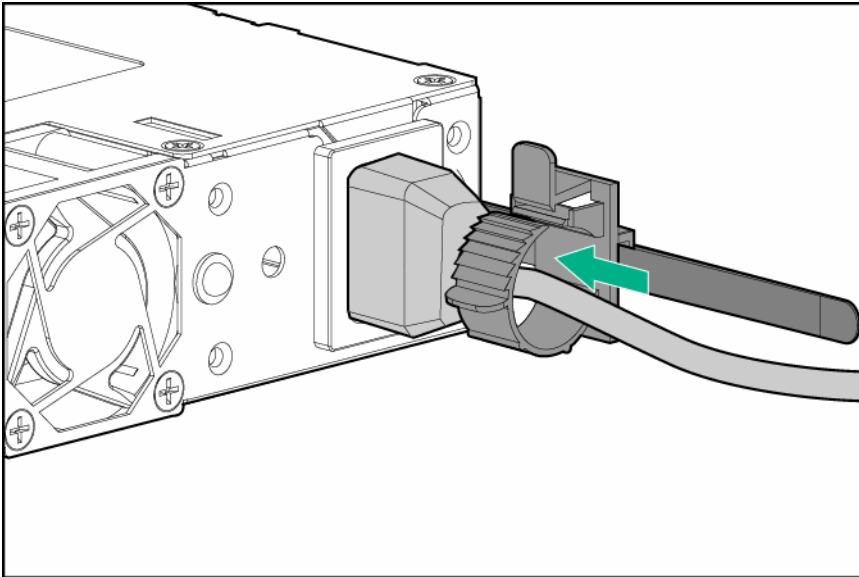
3. **For a server using a non-hot-plug power supply:** To prevent the accidental disconnection of the power cord when sliding the server into and from the enclosure, secure the power cord through the strain relief clip:
 - a. If the clip is positioned too near the power cord that it blocks the power cord plug connection, slide the clip backward.



- b. Connect the power cord to the server.
- c. Press the top part of the clip, then pull the clip open.
- d. Position the power cord inside the clip, and then close the clip.



- e. Slide the clip forward until it is flush against the edge of the power cord plug.



4. **For a server using a hot-plug power supply:** To prevent accidental power cord disconnection when sliding the server in and out of the enclosure, secure the power cord in the strain relief strap attached to the power input module handle:

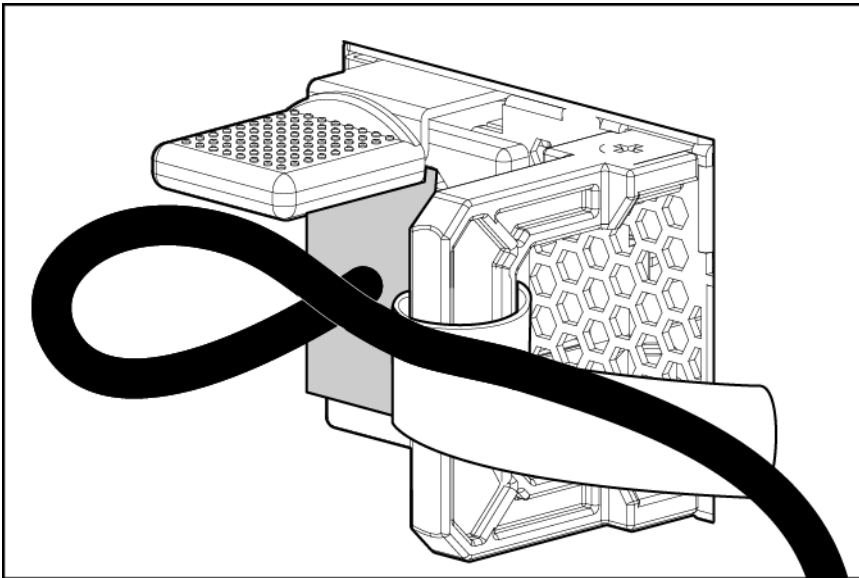
- a. Unwrap the strain relief strap from the power input module handle.



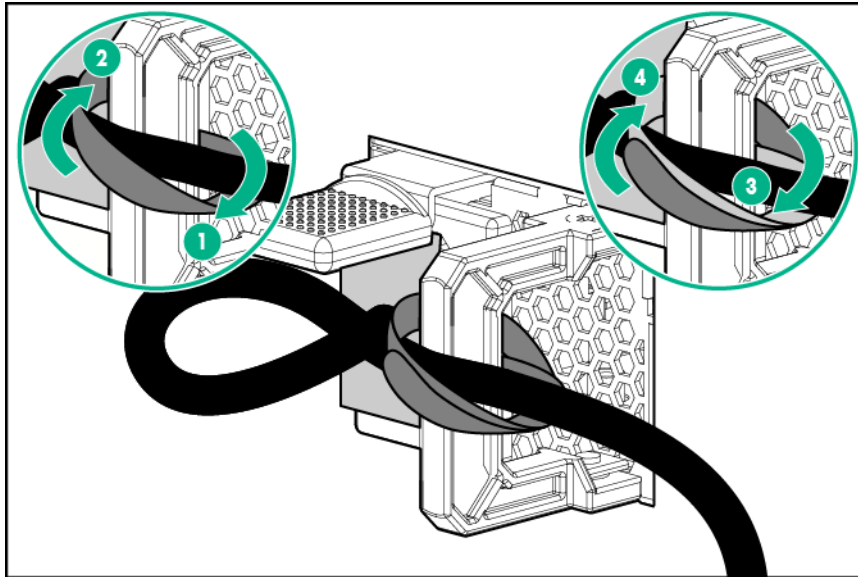
CAUTION:

Avoid tight bend radii to prevent damaging the internal wires of a power cord or a server cable. Never bend power cords and server cables tight enough to cause a crease in the sheathing.

- b. Bend the plug end of the power cord in the position shown in the following image.



- c. Secure the power cord with the strain relief strap.



5. Employ best practices to route and manage the power cords and other cables in the server rear panel.



IMPORTANT:

When using cable management arm components, be sure to leave enough slack in each of the cables to prevent damage to the cables when the server is extended from the rack.

6. Use the hook-and-loop strap included in the server shipping carton to secure the power cords and the other rear panel cables to the rack rail.
7. Connect the power cord to the power source.



WARNING:

To reduce the risk of electric shock or damage to the equipment:

- Do not disable the power cord grounding plug. The grounding plug is an important safety feature.
- Plug the power cord into a grounded (earthed) electrical outlet that is easily accessible at all times.
- Unplug the power cord from the power supply to disconnect power to the equipment.
- Do not route the power cord where it can be walked on or pinched by items placed against it. Pay particular attention to the plug, electrical outlet, and the point where the cord extends from the server.

Installing the rack rail hook-and-loop strap

The rack rail hook-and-loop strap can be installed on either the left or right rack rail. Hewlett Packard Enterprise recommends installing it on the left rack rail for better cable management.

To install the rack rail hook-and-loop strap:

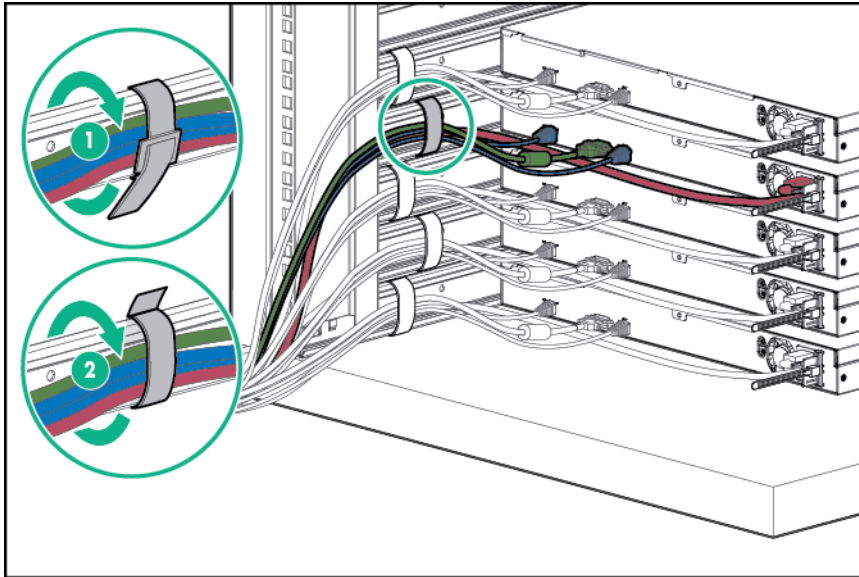
1. Install the server into the rack.
2. Install the rack rail hook-and-loop strap:
 - a. Hold the rear panel cables against the rack rail, and then wrap the strap around the rack rail.



CAUTION:

To prevent thermal or mechanical obstruction on full-length servers installed in the rack, the extra length and buckle part of the strap must be facing the outside of the rack rail.

- b. Loop the end of the hook-and-loop strap through the buckle.



When multiple hook-and-loop straps are used in the same rack, stagger the strap location, so that the straps are adjacent to each other when viewed from top to bottom. This positioning will enable the rack rail to slide easily in and out of the rack.

Installing the operating system

This ProLiant server does not ship with provisioning media. Everything needed to manage and install the system software and firmware is preloaded on the server.

To operate properly, the server must have a supported operating system. Attempting to run an unsupported operating system can cause serious and unpredictable results. For the latest information on operating system support, see the [Hewlett Packard Enterprise website](#).

Failure to observe UEFI requirements for ProLiant Gen9 servers can result in errors installing the operating system, failure to recognize boot media, and other boot failures. For more information on these requirements, see the *HPE UEFI Requirements* on the [Hewlett Packard Enterprise website](#).

To install an operating system on the server, use one of the following methods:

- Intelligent Provisioning—For single-server deployment, updating, and provisioning capabilities.
 - To install an operating system on the server with Intelligent Provisioning (local or remote):
 1. Connect the Ethernet cable between the network connector on the server and a network jack.
 2. Press the Power On/Standby button.
 3. During server POST, press **F10**.
 4. Complete the initial Preferences and Registration portion of [Intelligent Provisioning](#).
 5. At the 1 Start screen, click **Configure and Install**.
 6. To finish the installation, follow the onscreen prompts. An Internet connection is required to update the firmware and systems software.
- Insight Control server provisioning—For multi-server remote OS deployment, use Insight Control server provisioning for an automated solution. For more information, see the Insight Control documentation on the [Hewlett Packard Enterprise website](#).

For additional system software and firmware updates, download the Service Pack for ProLiant from the [Hewlett Packard Enterprise website](#). Software and firmware must be updated before using the server for the first time, unless any installed software or components require an older version.

For more information, see "[Keeping the system current](#)."

For more information on using these installation methods, see the [Hewlett Packard Enterprise website](#).

Selecting boot options in UEFI Boot Mode

On servers operating in UEFI Boot Mode, the boot controller and boot order are set automatically.

Procedure

1. Press the Power On/Standby button.
2. During the initial boot:
 - To modify the server configuration ROM default settings, press the **F9** key in the ProLiant POST screen to enter the UEFI System Utilities screen. By default, the System Utilities menus are in the English language.
 - If you do not need to modify the server configuration and are ready to install the system software, press the **F10** key to access Intelligent Provisioning.

For more information on automatic configuration, see the UEFI documentation on the [Hewlett Packard Enterprise website](#).

Selecting boot options

This server supports both Legacy BIOS Boot Mode and UEFI Boot Mode. On servers operating in UEFI Boot Mode, the boot controller and boot order are set automatically.

Procedure

1. Press the Power On/Standby button.
2. Do one of the following:
 - a. To enter the UEFI System Utilities screen and modify the server configuration ROM default settings, press the **F9** key on the ProLiant POST screen. Choose one of the following boot modes:
 - Legacy BIOS
 - UEFI (default)
 - b. If you do not need to modify the server configuration and are ready to install the system software, press the **F10** key to access Intelligent Provisioning.

For more information on automatic configuration, see the UEFI documentation on the [Hewlett Packard Enterprise website](#).

Registering the server

To experience quicker service and more efficient support, register the product at the [Hewlett Packard Enterprise Product Registration website](#).

Hardware options installation

Introduction

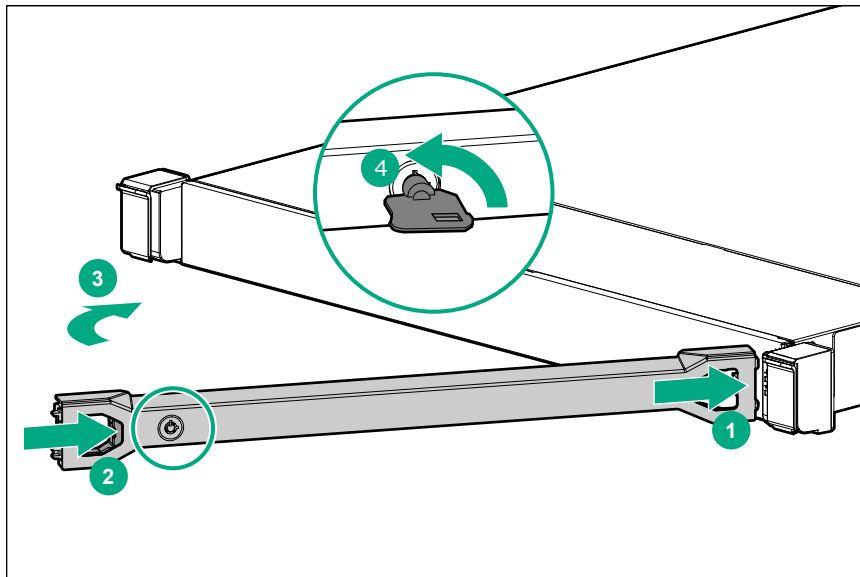
If more than one option is being installed, read the installation instructions for all the hardware options and identify similar steps to streamline the installation process.

⚠ WARNING:
To reduce the risk of personal injury from hot surfaces, allow the drives and the internal system components to cool before touching them.

⚠ CAUTION:
To prevent damage to electrical components, take the appropriate anti-static precautions before beginning any installation, removal, or replacement procedure. Improper grounding can cause electrostatic discharge.

Installing a security bezel option

The security bezel helps prevent unauthorized physical access to the front panel components. Install the security bezel and then lock it with the key provided with the kit. The security bezel is only supported in servers that are using the quick-release latch rack ears.



Drive options

The server supports up to two LFF hot-plug or non hot-plug drives and four SFF hot-plug.

The embedded storage controller supports SATA drive installation.

For SAS drive installation, install a Host Bus Adapter or a Smart Array Controller board option. For more information about product features, specifications, options, configurations, and compatibility, see the product QuickSpecs on the [Hewlett Packard Enterprise website](#).

Drive installation guidelines

When adding drives to the server, observe the following general guidelines:

- The system automatically sets all device numbers.
- Populate drive bays, based on the drive numbering sequence. Start from the drive bay with the lowest device number.
- All drives grouped into the same drive array must meet the following criteria:
 - They must be either all SAS or all SATA.
 - They must be either all hard drives or all solid state drives.
 - Drives should be the same capacity to provide the greatest storage space efficiency when drives are grouped together into the same drive array.

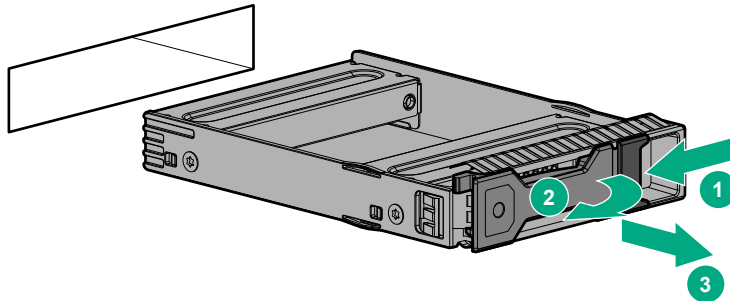
Installing a non-hot-plug drive

⚠ CAUTION:

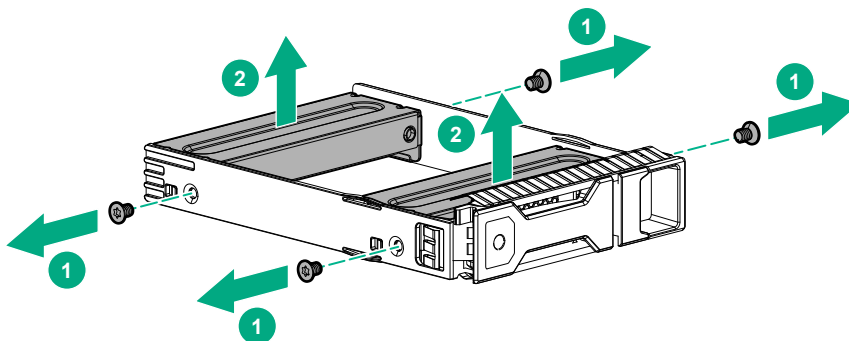
To prevent improper cooling and thermal damage, do not operate the server unless all bays are populated with either a component or a blank.

Procedure

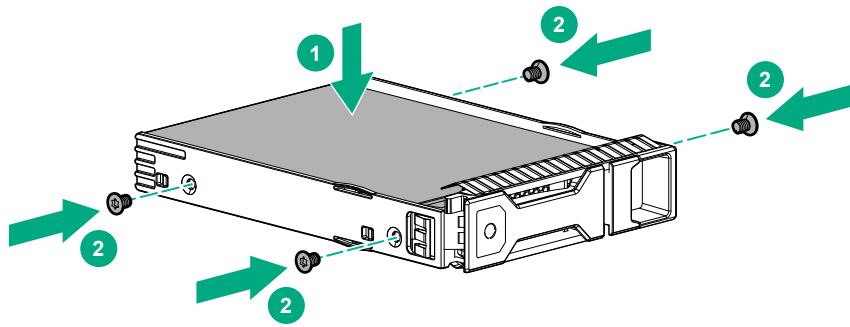
1. If installed, **remove the security bezel.**
2. **Power down the server.**
3. Remove all power:
 - a. Disconnect each power cord from the power source.
 - b. Disconnect each power cord from the server.
4. Remove the drive carrier.



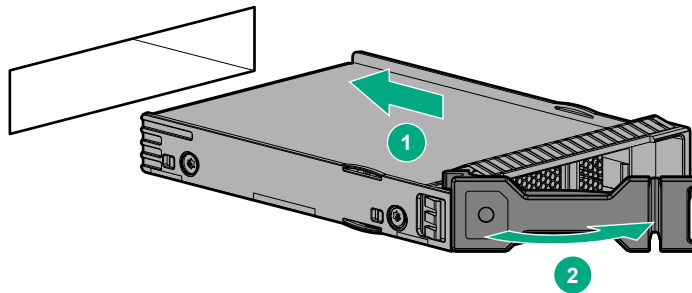
5. Remove the two metal brackets from the drive carrier.



6. Install the drive into the carrier.



7. Install the drive.



8. Connect each power cord to the server.
9. Connect each power cord to the power source.
10. **Power up the server.**
11. **If removed, install the security bezel.**

To configure arrays, see the *HPE Smart Storage Administrator User Guide* on the [Hewlett Packard Enterprise website](#).

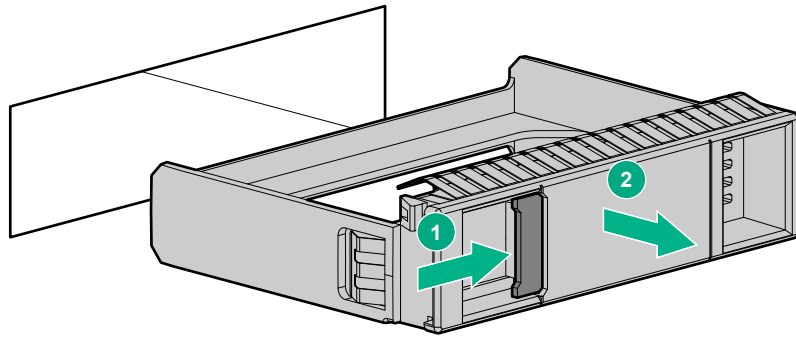
Installing a hot-plug drive

⚠ CAUTION:

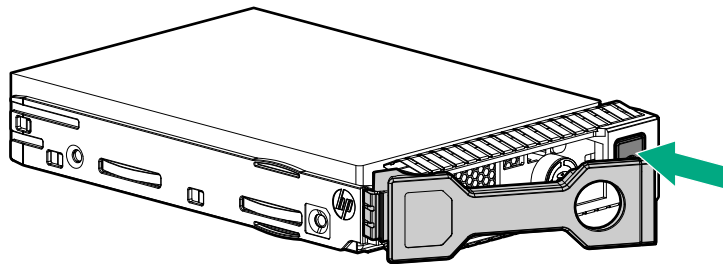
To prevent improper cooling and thermal damage, do not operate the server unless all bays are populated with either a component or a blank.

Procedure

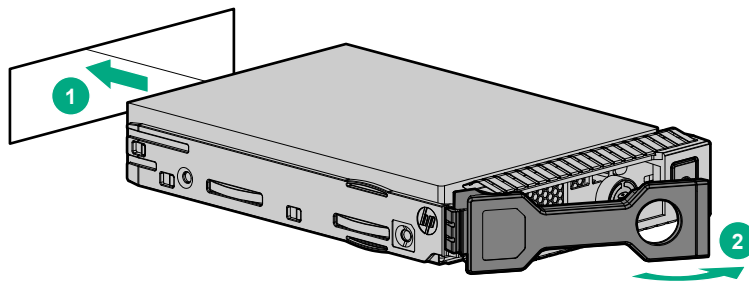
1. If installed, **remove the security bezel.**
2. Remove the drive blank.



3. Prepare the drive.



4. Install the drive.



5. **Determine the status of the drive from the drive LED definitions.**

6. If removed, **install the security bezel.**

To configure arrays, see the *HPE Smart Storage Administrator User Guide* on the [Hewlett Packard Enterprise website](http://www.hpe.com).

Drive cable options

Use these drive cable options to install a Smart Array Controller option.

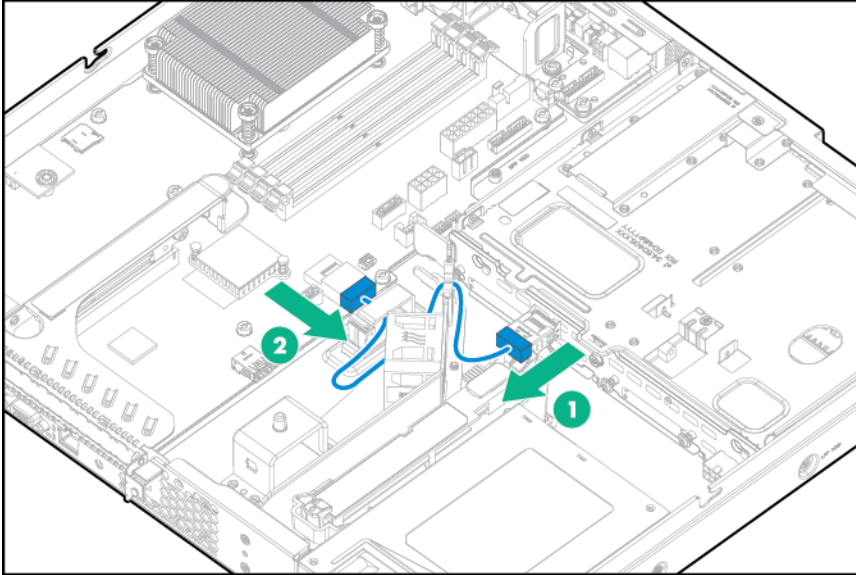
Two-bay LFF Smart Array Controller Mini-SAS cable option

For more information about product features, specifications, options, configurations, and compatibility, see the product QuickSpecs on the [Hewlett Packard Enterprise website](http://www.hpe.com).

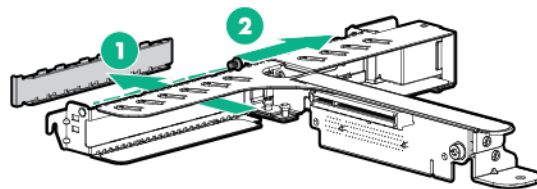
Procedure

1. If installed, **remove the security bezel.**
2. **Power down the server.**

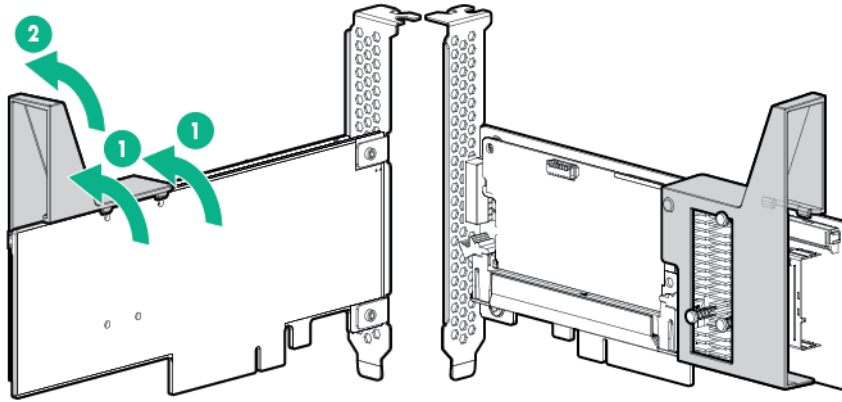
3. Remove all power:
 - a. Disconnect each power cord from the power source.
 - b. Disconnect each power cord from the server.
4. Do one of the following:
 - **Extend the server from the rack.**
 - **Remove the server from the rack.**
5. **Remove the access panel.**
6. Disconnect the existing Mini-SAS cables from the system board and the drive backplane.



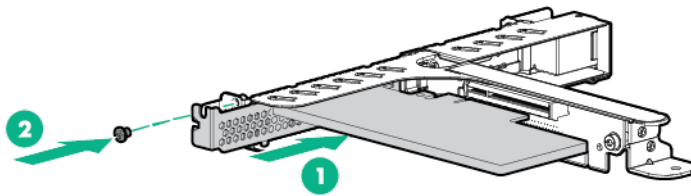
7. **Remove the PCI riser cage.**
8. Remove the blank from slot 2 of the riser cage.



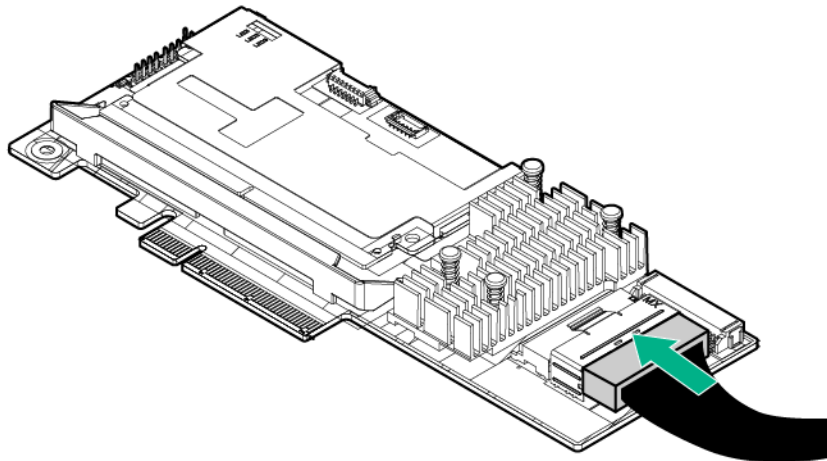
9. Install the Smart Array controller.
 - a. If installed, remove the air scoop from the controller.



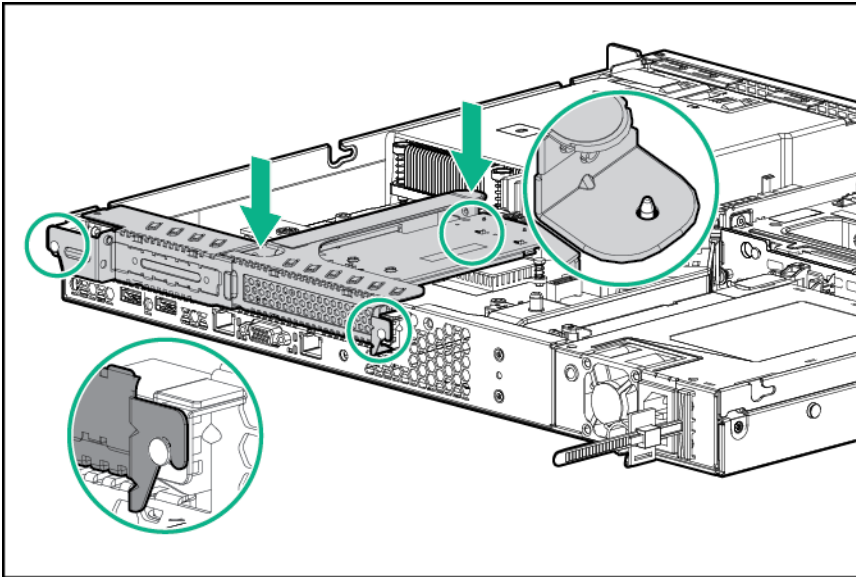
- b. If you are planning to install the FBWC, **install it now.**
- c. Install the Smart Array controller in slot 2.



- 10. Connect the Mini-SAS cable to the Smart Array controller.



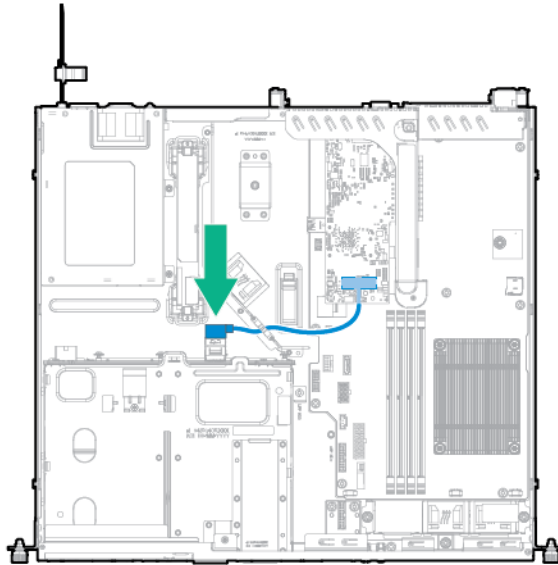
- 11. Align the PCI riser board with the corresponding connector on the system board, then press down on the riser cage.



NOTE:

To prevent improper cooling and thermal damage, do not operate the server unless all PCI slots have either an expansion slot cover or an expansion board installed.

12. Connect the Mini-SAS cable to the drive backplane.



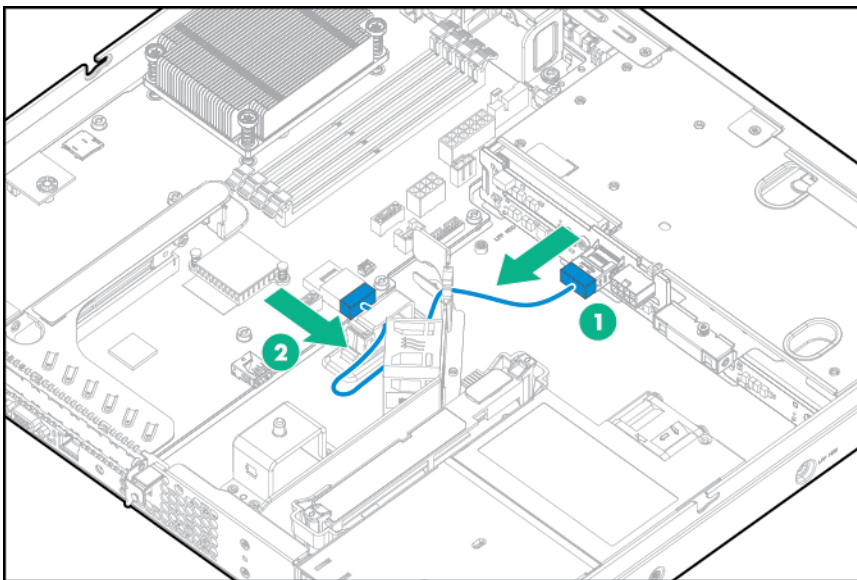
13. **Install the access panel.**
14. Do one of the following:
- Slide the server into the rack.
 - **Install the server into the rack**
15. Connect each power cord to the server.
16. Connect each power cord to the power source.
17. **Power up the server.**
18. **If removed, install the security bezel.**

Four-bay SFF Smart Array Controller Mini-SAS cable option

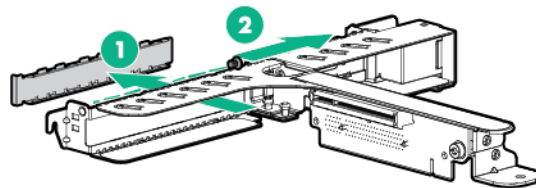
For more information about product features, specifications, options, configurations, and compatibility, see the product QuickSpecs on the [Hewlett Packard Enterprise website](#).

Procedure

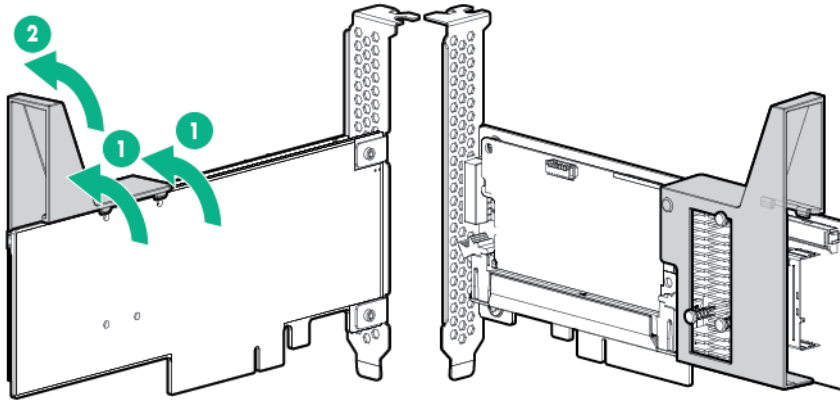
1. If installed, **remove the security bezel**.
2. **Power down the server**.
3. Remove all power:
 - a. Disconnect each power cord from the power source.
 - b. Disconnect each power cord from the server.
4. Do one of the following:
 - **Extend the server from the rack.**
 - **Remove the server from the rack.**
5. **Remove the access panel.**
6. Disconnect the existing Mini-SAS cables from the system board and the drive backplane.



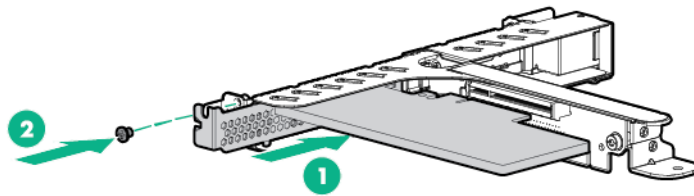
7. **Remove the PCI riser cage.**
8. Remove the blank from slot 2 of the riser cage.



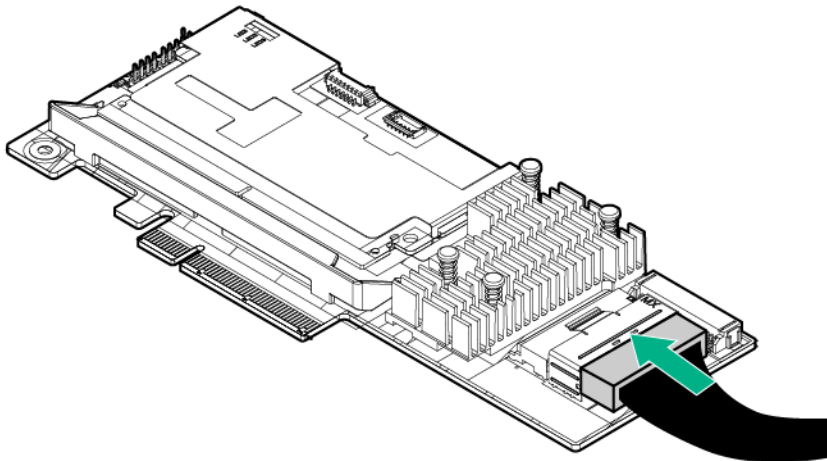
9. Install the Smart Array controller.
 - a. If installed, remove the air scoop from the controller.



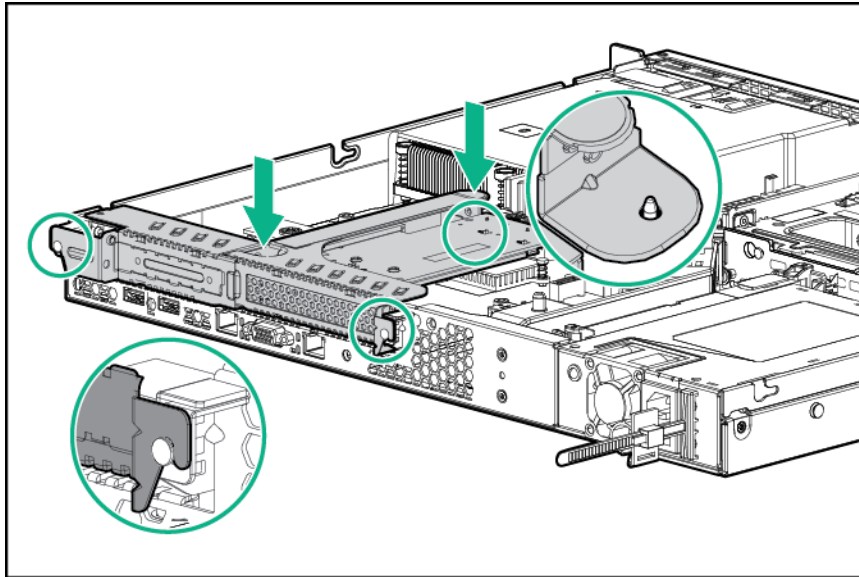
- b. If you are planning to install the FBWC, **install it now.**
- c. Install the Smart Array controller in slot 2.



- 10. Connect the Mini-SAS cable to the Smart Array controller.



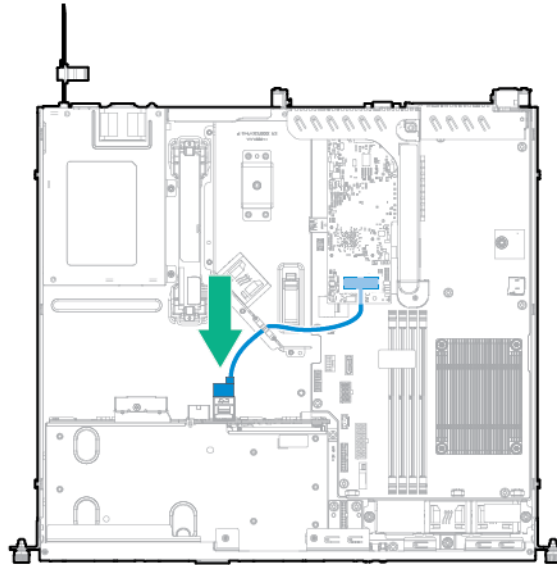
- 11. Align the PCI riser board with the corresponding connector on the system board, then press down on the riser cage.



NOTE:

To prevent improper cooling and thermal damage, do not operate the server unless all PCI slots have either an expansion slot cover or an expansion board installed.

12. Connect the Mini-SAS cable to the drive backplane.



13. **Install the access panel.**
14. Do one of the following:
- Slide the server into the rack.
 - **Install the server into the rack**
15. Connect each power cord to the server.
16. Connect each power cord to the power source.
17. **Power up the server.**
18. **If removed, install the security bezel.**

Storage controller options

The server ships with an embedded Dynamic Smart Array B140i Controller. This embedded controller is supported in UEFI Boot Mode only. For more information about the controller and its features, see the HPE Dynamic Smart Array B140i RAID Controller User Guide on the [Hewlett Packard Enterprise website](#).

Upgrade options exist for an integrated array controller. For a list of supported options, see the product QuickSpecs on the [Hewlett Packard Enterprise website](#).

To configure arrays, see the HPE Smart Storage Administrator User Guide on the [Hewlett Packard Enterprise website](#).

The server supports FBWC. FBWC consists of a cache module and a Smart Storage Battery Pack. The DDR cache module buffers and stores data being written by an integrated Gen9 P-series Smart Array Controller.

This server supports the 96-W Smart Storage Battery Pack. This battery pack can support up to 24 devices. Devices in this context refer to the Smart Array Controller or NVDIMM associated with the cache module.

The battery pack might have a low charge when installed. If the battery does have low charge, a POST error message appears when the server is powered up, indicating that the battery pack is temporarily disabled. No action is necessary. The internal circuitry automatically recharges the batteries and enables the battery pack. When the system is powered on this process might take approximately 2 hours.

If a system power failure occurs, a fully charged battery pack provides power for up to 150 seconds. During that interval, the controller transfers the cached data from DDR memory to flash memory, where the data remains indefinitely or until a controller retrieves the data. The data protection and the time limit also apply if a power outage occurs. When power is restored to the system, an initialization process writes the preserved data to the storage drives.

⚠ CAUTION:

The cache module connector does not use the industry-standard DDR3 mini-DIMMs. Do not use the controller with cache modules designed for other controller models, because the controller can malfunction and you can lose data. Also, do not transfer this cache module to an unsupported controller model, because you can lose data.

⚠ CAUTION:

To prevent a server malfunction or damage to the equipment, do not add or remove the battery pack while an array capacity expansion, RAID level migration, or stripe size migration is in progress.

⚠ CAUTION:

After the server is powered down, wait for 30 seconds, and then check the amber LED before unplugging the cable from the cache module. If the amber LED flashes after 30 seconds, do not remove the cable from the cache module. The cache module is backing up data. Data will be lost if the cable is detached when the amber LED is still flashing.

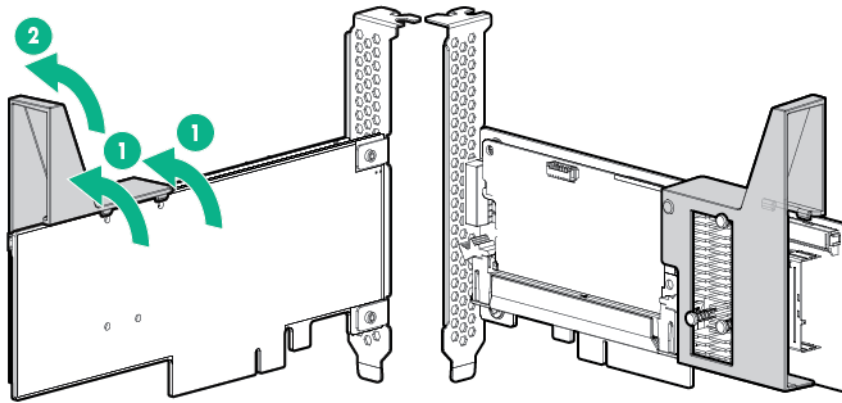
Installing the storage controller and FBWC module options

For more information about the integrated storage controller and its features, select the relevant user documentation on the [Hewlett Packard Enterprise website](#).

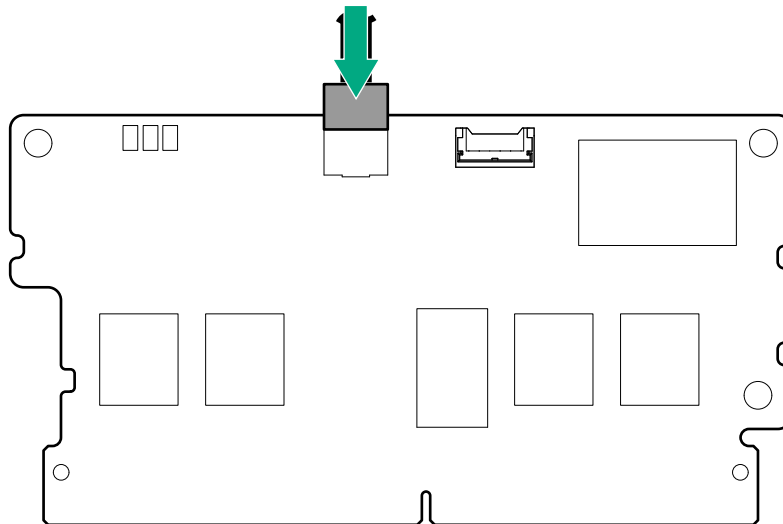
Procedure

1. If installed, **remove the security bezel**.
2. **Power down the server**.
3. Remove all power:

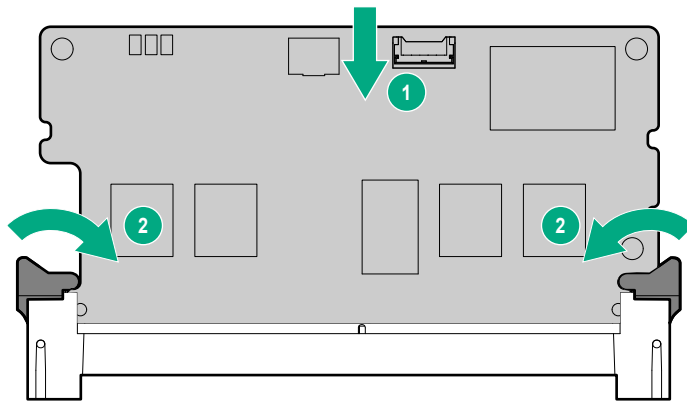
- a. Disconnect each power cord from the power source.
- b. Disconnect each power cord from the server.
4. Do one of the following:
 - **Extend the server from the rack.**
 - **Remove the server from the rack.**
5. **Remove the access panel.**
6. **Remove the PCI riser cage.**
7. If you intend to use a FBWC module, install the module on the storage controller.
 - a. If you are installing a Smart Array P440 Controller, remove the air scoop.



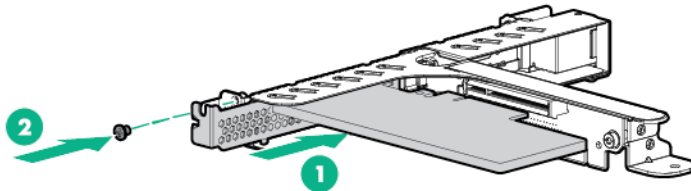
- b. Connect the cache module backup power cable to the module.



- c. Install the cache module onto the storage controller.



8. Install the Smart Array controller in slot 2.



9. Connect all necessary internal cables to the storage controller.
For internal drive cabling information, see "[Storage cabling](#)."
10. **Install the PCI riser cage.**
11. Connect the other end of the storage controller cables to the drive backplane.
For internal drive cabling information, "[Storage cabling](#)."
12. Connect the FBWC cable to the system board.
For more information, see "[FBWC module cabling](#)."
13. If you are planning to install the Smart Storage Battery, **install it now.**
14. **Install the access panel.**
15. Do one of the following:
 - Slide the server into the rack.
 - **Install the server into the rack.**
16. Connect each power cord to the server.
17. Connect each power cord to the power source.
18. **Power up the server.**
19. **If removed, install the security bezel.**
20. If you are planning to install new drives, **install them now.**

For more information about the integrated storage controller and its features, select the relevant user documentation on the [Hewlett Packard Enterprise website](#).

To configure arrays, see the *HPE Smart Storage Administrator User Guide* on the [Hewlett Packard Enterprise website](#).

Installing a Smart Storage Battery option

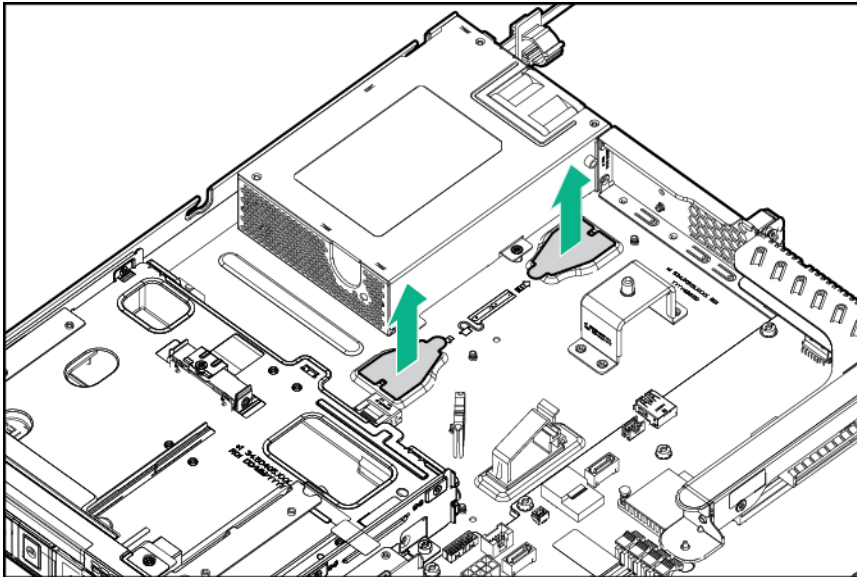
For more information about the integrated storage controller and its features, select the relevant user documentation on the [Hewlett Packard Enterprise website](#).

⚠ CAUTION:

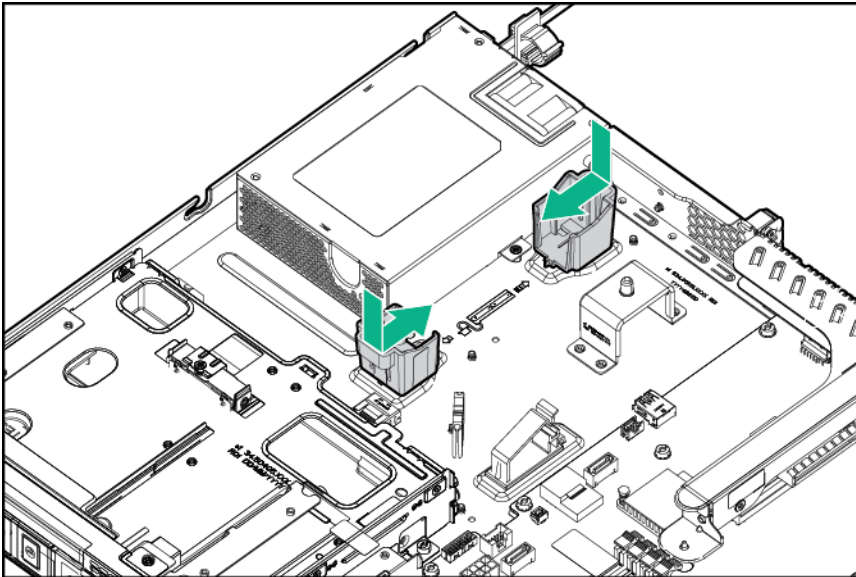
In systems that use external data storage, be sure that the server is the first unit to be powered down and the last to be powered back up. Taking this precaution ensures that the system does not erroneously mark the external drives as failed when the server is powered up.

Procedure

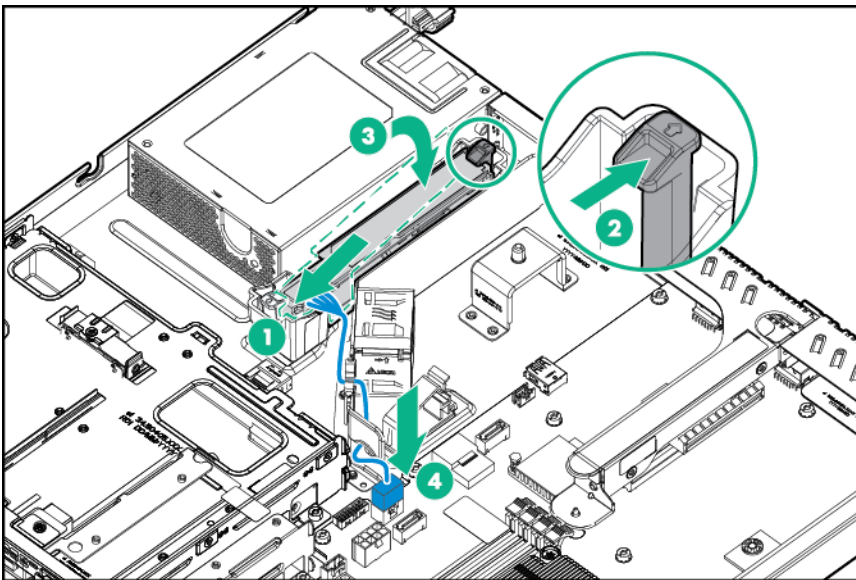
1. If installed, **remove the security bezel**.
2. **Power down the server**.
3. Remove all power:
 - a. Disconnect each power cord from the power source.
 - b. Disconnect each power cord from the server.
4. Do one of the following:
 - **Extend the server from the rack.**
 - **Remove the server from the rack.**
5. **Remove the access panel.**
6. **Remove the air baffle.**
7. Remove the slot covers.



8. Install the Smart Storage Battery holders.



9. Install the Smart Storage Battery, then connect the battery cable to the system board connector.



10. **Install the air baffle.**
11. **Install the access panel.**
12. Do one of the following:
 - Slide the server into the rack.
 - **Install the server into the rack.**
13. Connect each power cord to the server.
14. Connect each power cord to the power source.
15. **Power up the server.**
16. **If removed, install the security bezel.**

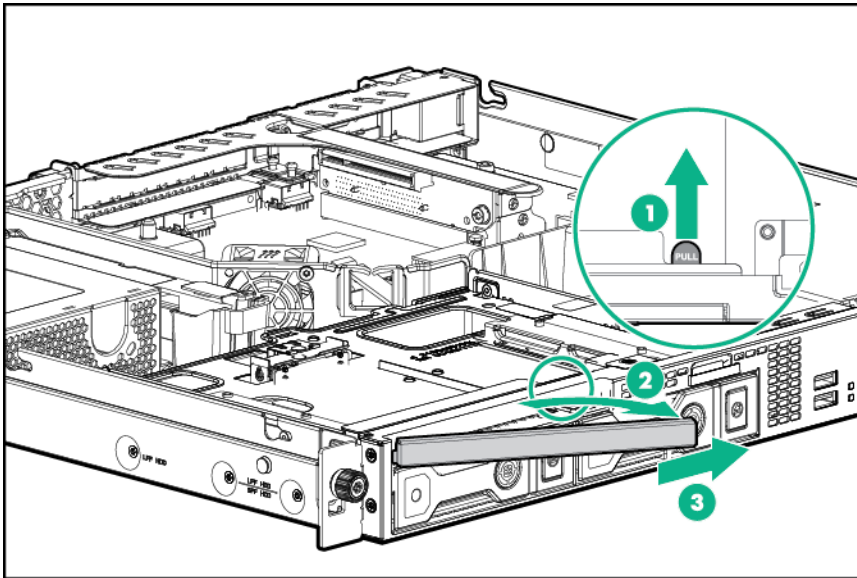
M.2 SSD SATA cable and optical drive extension power cable option

Installing one M.2 SSD and one optical drive

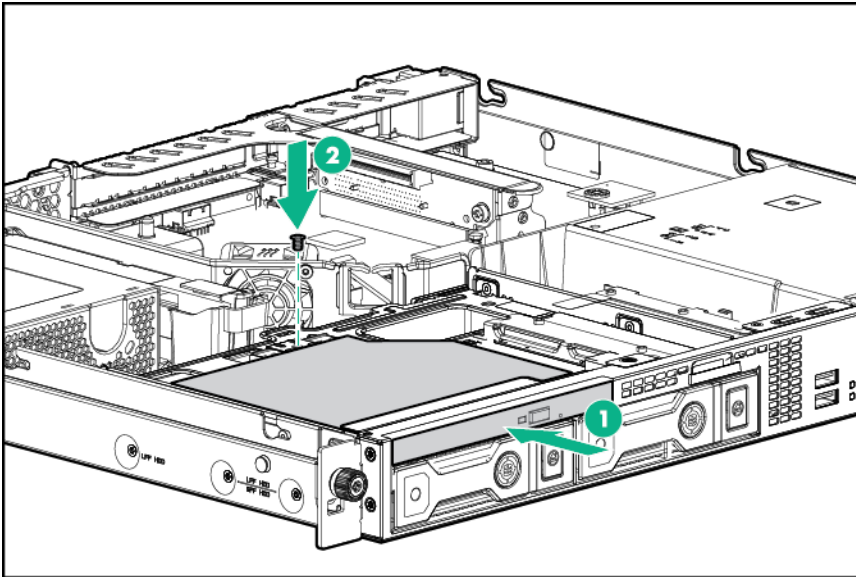
For more information about the integrated storage controller and its features, select the relevant user documentation on the [Hewlett Packard Enterprise website](#).

Procedure

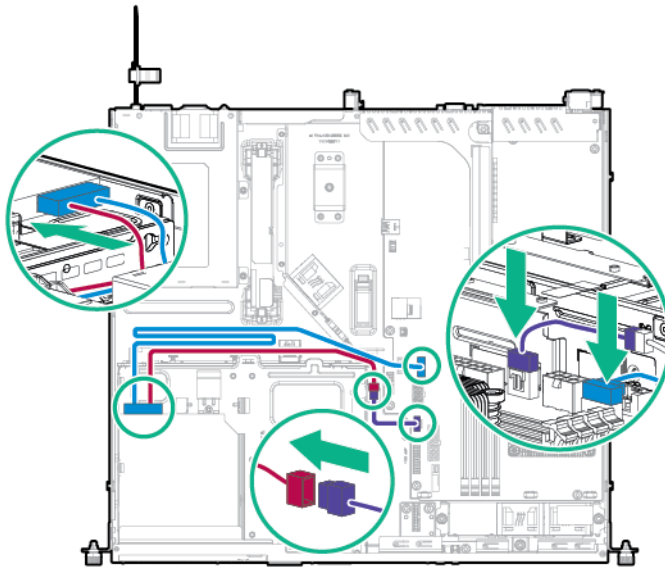
1. If installed, **remove the security bezel**.
2. **Power down the server**.
3. If you are performing a non-hot-plug procedure, remove all power:
 - a. Disconnect each power cord from the power source.
 - b. Disconnect each power cord from the server.
4. Do one of the following:
 - **Extend the server from the rack.**
 - **Remove the server from the rack.**
5. **Remove the access panel.**
6. Remove the optical drive blank.



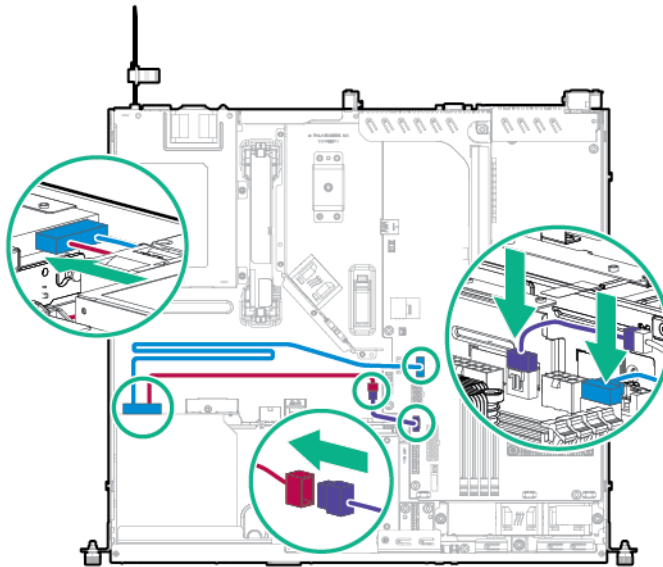
7. Install the optical drive and secure it with the screw provided in the optical drive kit.



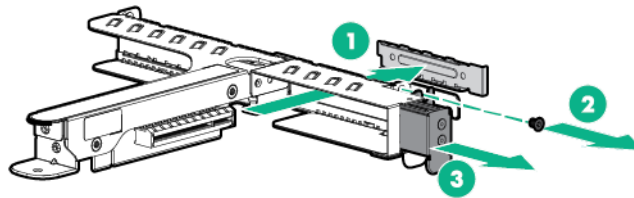
8. Connect and route the cables:
 - a. Connect the cable assembly from the optical drive option kit to the rear of the optical drive.
 - b. Connect the power cable to the optical drive extension power cable.
 - c. Connect the extension cable and the SATA cable to the system board.
 - Two-bay LFF configuration



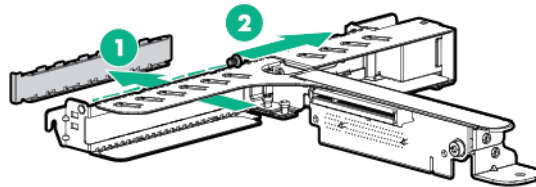
- Four-bay SFF configuration



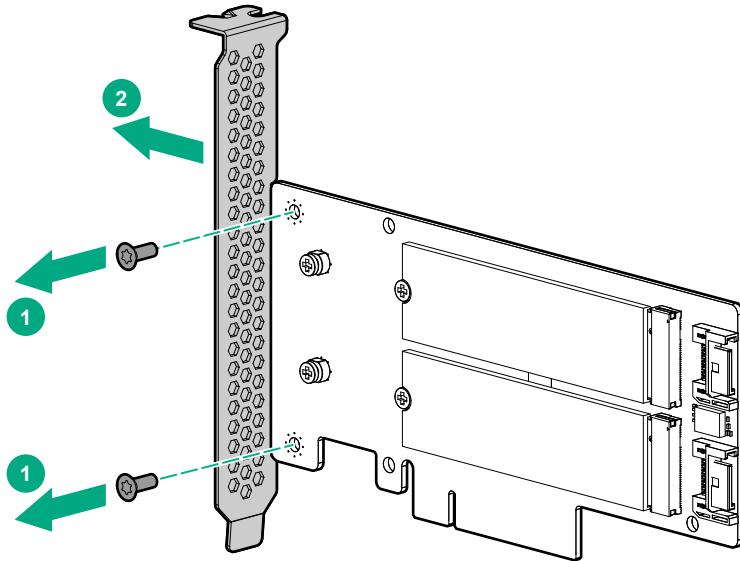
9. **Remove the PCI riser cage.**
10. Select the appropriate PCIe slot to install the M.2 SSD enablement board and remove the PCIe blank.
 - Slot 1



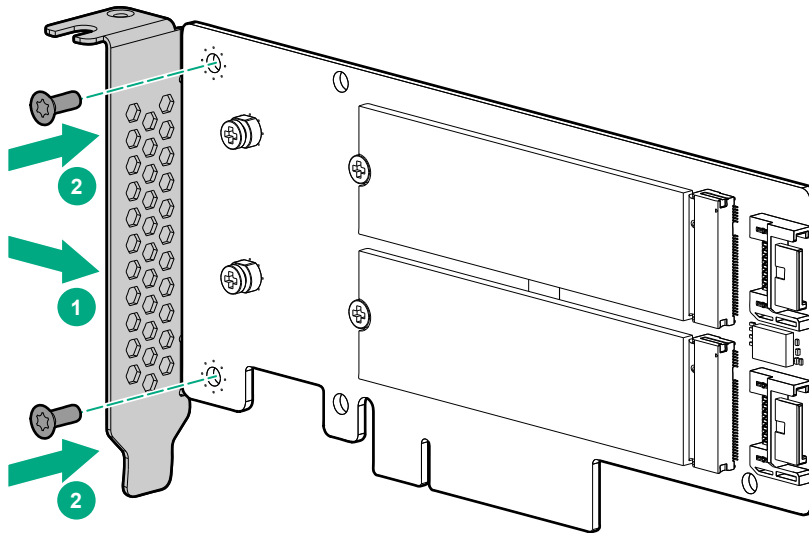
- Slot 2



11. If installing the M.2 SSD enablement board in slot 1, do the following:
 - a. Remove the full-height bracket from the M.2 SSD enablement board.

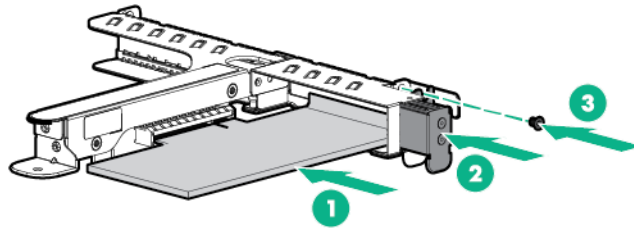


b. Install the low-profile bracket on the M.2 SSD enablement board.

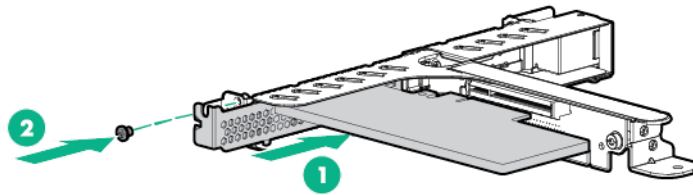


12. Install the M.2 SSD enablement board into the PCI riser cage and then connect the SATA cable to the enablement board.

- Slot 1



- Slot 2

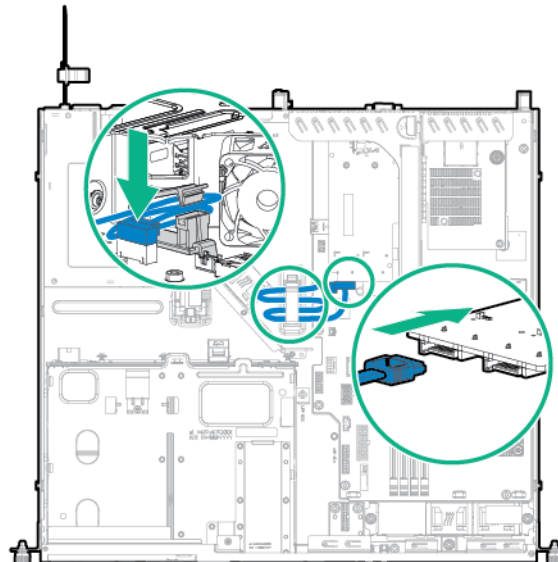


13. Install the PCI riser cage.

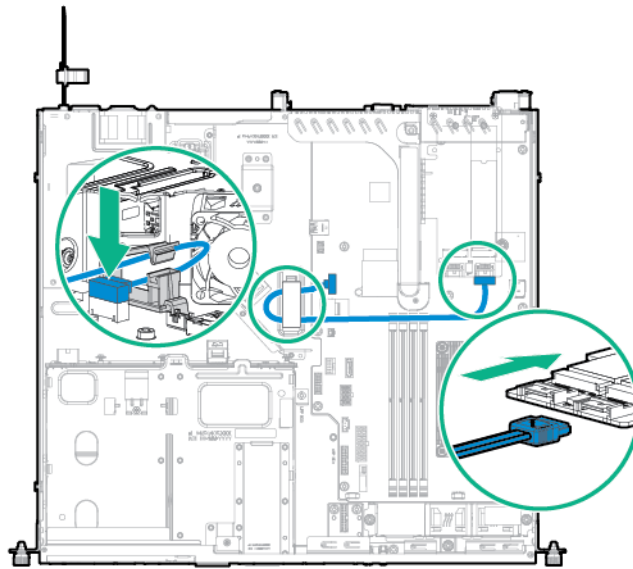
14. Connect the SATA cable to the SATA connector on the system board.

15. Based on the riser cage configuration, route the M.2 SSD SATA cable in the following ways:

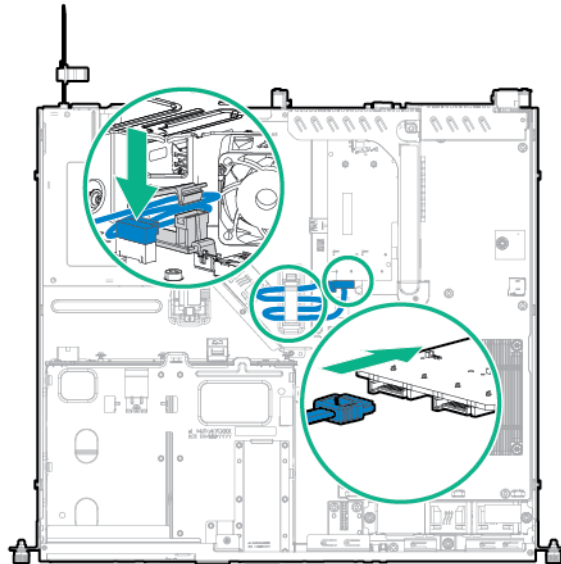
- Two-bay LFF configuration
 - Slot 2 of the FlexibleLOM riser cage assembly



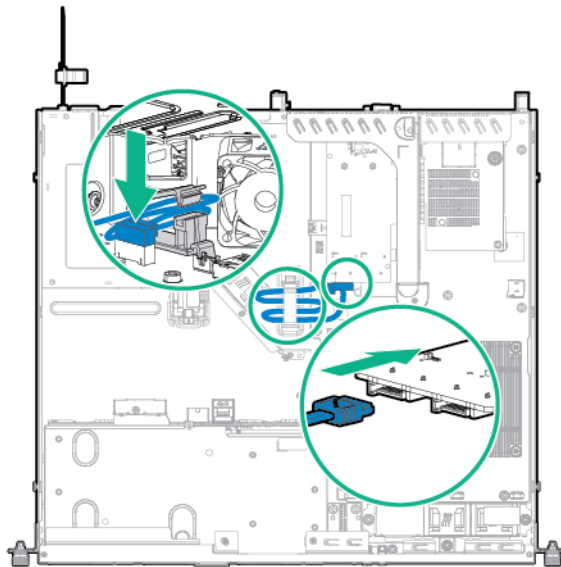
- Slot 1 of the two-slot PCI riser cage assembly



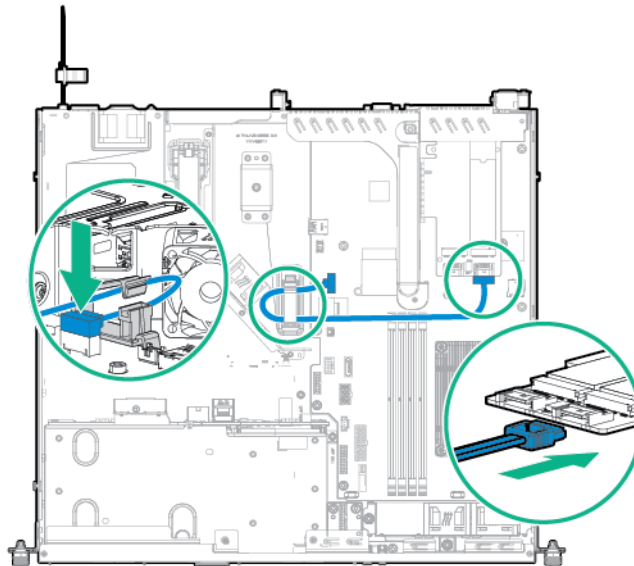
- Slot 2 of the two-slot PCI riser cage assembly



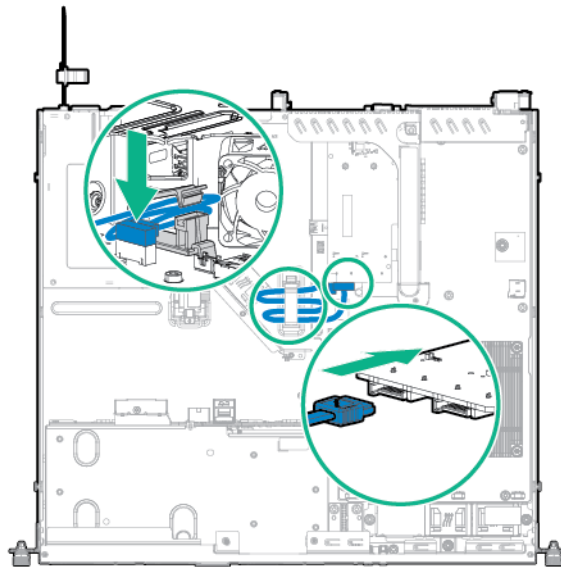
- Four-bay SFF configuration
 - Slot 2 of the FlexibleLOM riser cage assembly



- Slot 1 of the two-slot PCI riser cage assembly



- Slot 2 of the two-slot PCI riser cage assembly



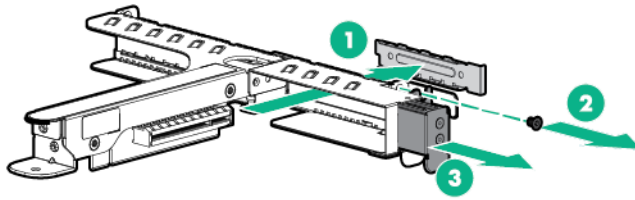
16. **Install the access panel.**
17. Do one of the following:
 - Slide the server into the rack.
 - **Install the server into the rack.**
18. Connect each power cord to the server.
19. Connect each power cord to the power source.
20. **Power up the server.**
21. **If removed, install the security bezel.**

Installing two M.2 SSDs

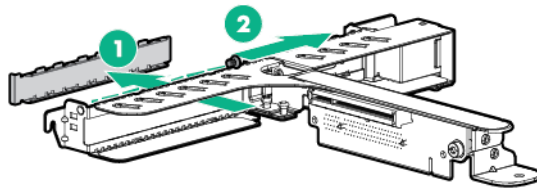
For more information about the integrated storage controller and its features, select the relevant user documentation on the [Hewlett Packard Enterprise website](#).

Procedure

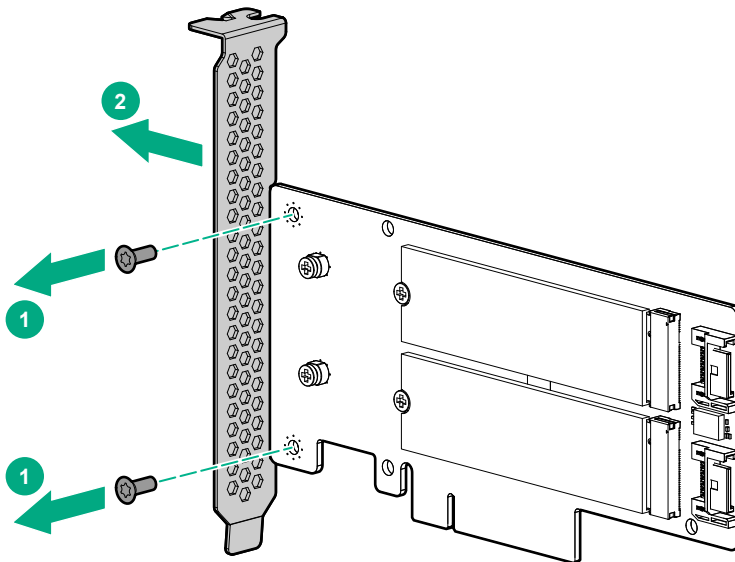
1. If installed, **remove the security bezel.**
2. **Power down the server.**
3. Remove all power:
 - a. Disconnect each power cord from the power source.
 - b. Disconnect each power cord from the server.
4. Do one of the following:
 - **Extend the server from the rack.**
 - **Remove the server from the rack.**
5. **Remove the access panel.**
6. **Remove the PCI riser cage.**
7. Select the appropriate PCIe slot to install the M.2 SSD enablement board and remove the PCIe blank.
 - Slot 1



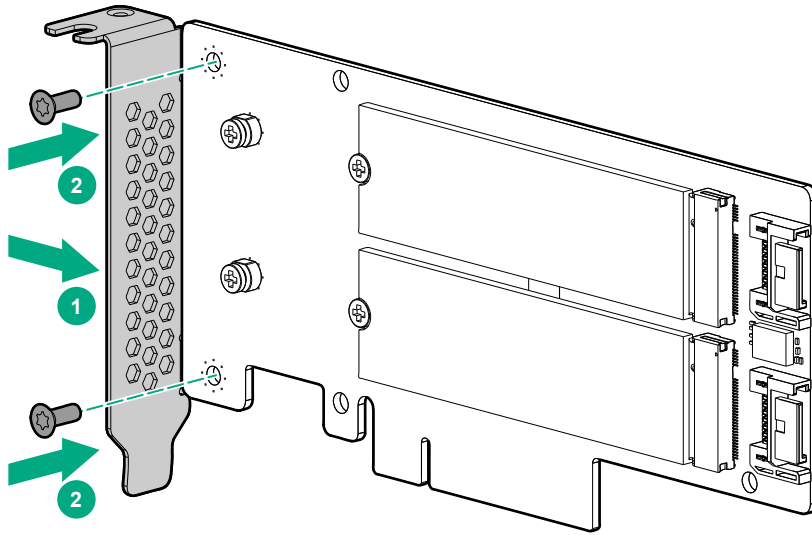
- Slot 2



8. If installing the M.2 SSD enablement board in slot 1, do the following:
 - a. Remove the full-height bracket from the M.2 SSD enablement board.

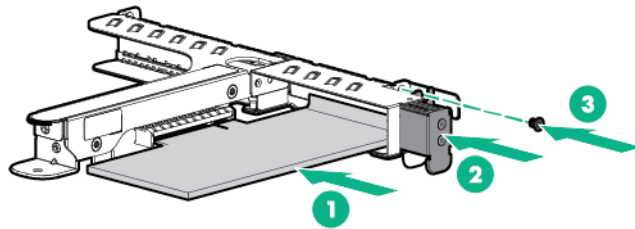


- b. Install the low-profile bracket on the M.2 SSD enablement board.

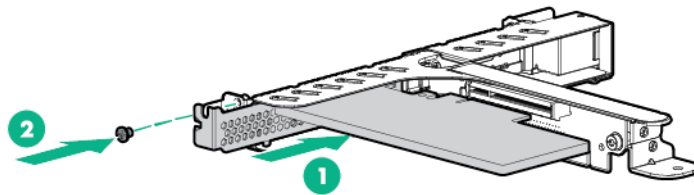


9. Install the M.2 SSD enablement board into the PCI riser cage and then connect the SATA cable to the enablement board.

- Slot 1



- Slot 2



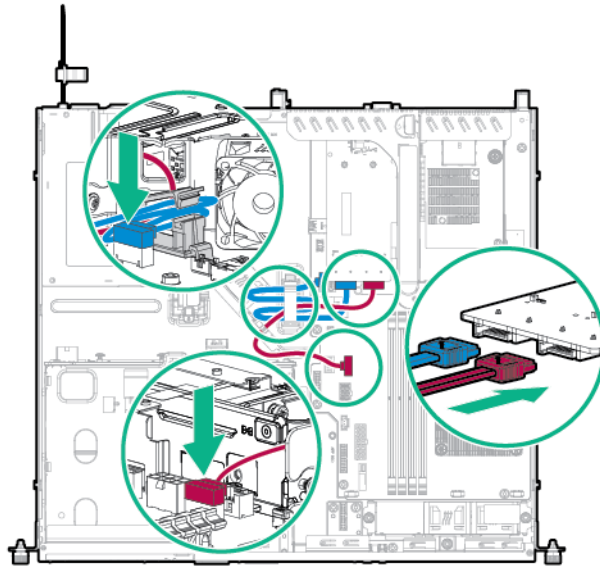
10. **Install the PCI riser cage.**

11. Connect the SATA cable to the SATA connector on the system board.

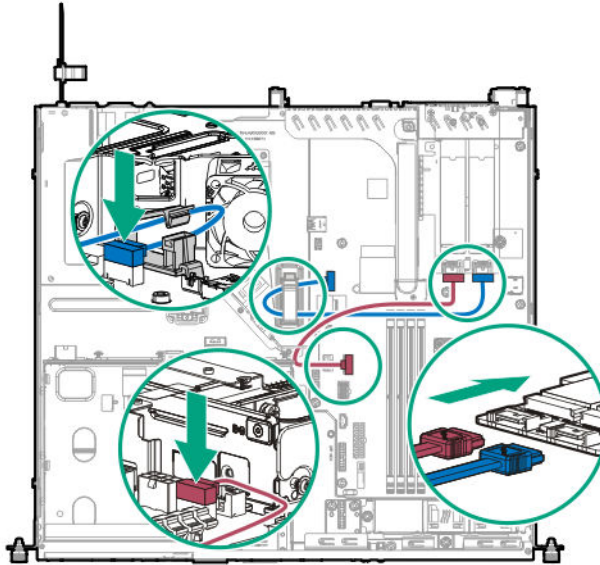
12. Based on the riser cage configuration, route the M.2 SSD SATA cable in the following ways:

- Two-bay LFF configuration

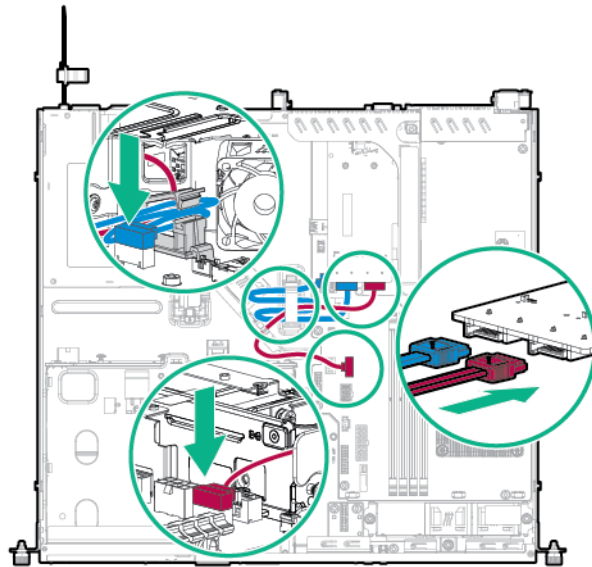
- Slot 2 of the FlexibleLOM riser cage assembly



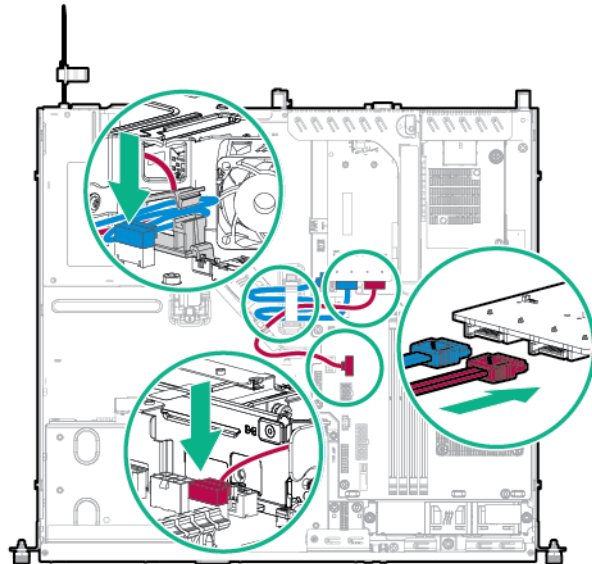
- Slot 1 of the two-slot PCI riser cage assembly



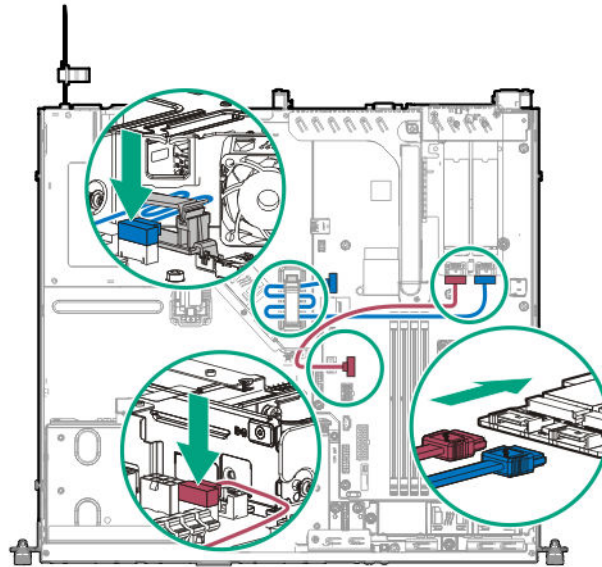
- Slot 2 of the two-slot PCI riser cage assembly



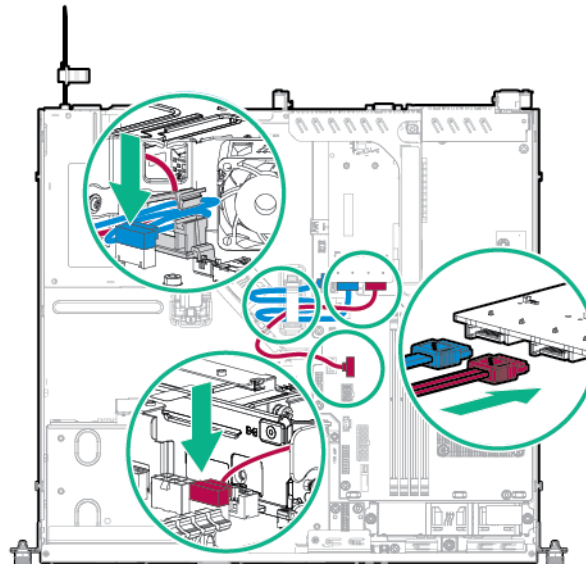
- Four-bay SFF configuration
 - Slot 2 of the FlexibleLOM riser cage assembly



- Slot 1 of the two-slot PCI riser cage assembly



- Slot 2 of the two-slot PCI riser cage assembly



13. **Install the access panel.**
14. Do one of the following:
 - Slide the server into the rack.
 - **Install the server into the rack.**
15. Connect each power cord to the server.
16. Connect each power cord to the power source.
17. **Power up the server.**
18. **If removed, install the security bezel.**

Memory options

Memory and processor information

The memory subsystem in this server supports UDIMMs only.

The following processors are optimized for single-rank and dual-rank PC4-2133 (DDR4-2133) UDIMMs operating at up to 2133 MT/s:

- Intel Xeon E3-1200 v5 processors
- 3.30-GHz Intel Pentium G4400 processor and 3.50-GHz Intel Pentium G4500 processor
- 3.70-GHz Intel Core i3-6100 processor and 3.80-GHz Intel Core i3-6300 processor

The following processors are optimized for single-rank and dual-rank PC4-2400T (DDR4-2400) UDIMMs operating at up to 2400 MT/s:

- Intel Xeon E3-1200 v6 processors
- 3.50-GHz Intel Pentium G4560 processor and 3.60-GHz Intel Pentium G4600 processor
- 3.90-GHz Intel Core i3-7100 processor and 4.00-GHz Intel Core i3-7300 processor

For the latest memory configuration information, see the product QuickSpecs on the [Hewlett Packard Enterprise website](#).

DIMM specifications

Intel Xeon E3-1200 v5 processor, 3.30-GHz Intel Pentium G4400 processor, 3.50-GHz Intel Pentium G4500 processor, 3.70-GHz Intel Core i3-6100 processor, or 3.80-GHz Intel Core i3-6300 processor:

Type	Rank	Capacity	Native speed	Voltage
UDIMM	Single	4 GB	2133 MT/s	STD
UDIMM	Single	8 GB	2133 MT/s	STD
UDIMM	Dual	8 GB	2133 MT/s	STD
UDIMM	Dual	16 GB	2133 MT/s	STD

Intel Xeon E3-1200 v6 processor, 3.50-GHz Intel Pentium G4560 processor, 3.60-GHz Intel Pentium G4600 processor, 3.90-GHz Intel Core i3-7100 processor, or 4.00-GHz Intel Core i3-7300 processor:

Type	Rank	Capacity	Native speed	Voltage
UDIMM	Single	8 GB	2400 MT/s	STD
UDIMM	Dual	16 GB	2400 MT/s	STD

Populated DIMM speed (MT/s)

Operating memory speed is a function of rated DIMM speed, the number of DIMMs installed per channel, processor model, and the speed selected in the BIOS/Platform Configuration (RBSU) of the [UEFI System Utilities](#).

Intel Xeon E3-1200 v5 processor, 3.30-GHz Intel Pentium G4400 processor, 3.50-GHz Intel Pentium G4500 processor, 3.70-GHz Intel Core i3-6100 processor, or 3.80-GHz Intel Core i3-6300 processor:

Type	Rank	1 DIMM per channel	2 DIMM per channel
UDIMM	Single	2133 MT/s	2133 MT/s
UDIMM	Dual	2133 MT/s	2133 MT/s

Intel Xeon E3-1200 v6 processor, 3.50-GHz Intel Pentium G4560 processor, 3.60-GHz Intel Pentium G4600 processor, 3.90-GHz Intel Core i3-7100 processor, or 4.00-GHz Intel Core i3-7300 processor:

Type	Rank	1 DIMM per channel	2 DIMM per channel
UDIMM	Single	2400 MT/s	2400 MT/s
UDIMM	Dual	2400 MT/s	2400 MT/s

Maximum memory capacity

Maximum memory capacity is a function of DIMM capacity, number of installed DIMMs, and memory type.

Intel Xeon E3-1200 v5 processor, 3.30-GHz Intel Pentium G4400 processor, 3.50-GHz Intel Pentium G4500 processor, 3.70-GHz Intel Core i3-6100 processor, or 3.80-GHz Intel Core i3-6300 processor:

DIMM type	DIMM rank	Maximm capacity
UDIMM	Single-rank (4 GB)	16
UDIMM	Single-rank (8 GB)	32
UDIMM	Dual-rank (8 GB)	32
UDIMM	Dual-rank (16 GB)	64

Intel Xeon E3-1200 v6 processor, 3.50-GHz Intel Pentium G4560 processor, 3.60-GHz Intel Pentium G4600 processor, 3.90-GHz Intel Core i3-7100 processor, or 4.00-GHz Intel Core i3-7300 processor:

DIMM type	DIMM rank	Maximm capacity
UDIMM	Single-rank (8 GB)	32
UDIMM	Dual-rank (16 GB)	64

Memory subsystem architecture

The memory subsystem in this server is divided into channels. Each processor supports two channels, and each channel supports two DIMM slots.

Channel	Population order	Slot number
1	A	3
	C	4
2	B	1
	D	2

DIMM slots are identified by number and by letter. Letters identify the population order. Slot numbers are reported by ROM messages during boot and are used for error reporting.

For more information about product features, specifications, options, configurations, and compatibility, see the product QuickSpecs on the [Hewlett Packard Enterprise website](#).

Single-, dual-, and quad-rank DIMMs

To understand and configure memory protection modes properly, an understanding of single-, dual-, and quad-rank DIMMs is helpful. Some DIMM configuration requirements are based on these classifications.

A single-rank DIMM has one set of memory chips that is accessed while writing to or reading from the memory. A dual-rank DIMM is similar to having two single-rank DIMMs on the same module, with only one rank accessible at a time. A quad-rank DIMM is, effectively, two dual-rank DIMMs on the same module. Only one rank is accessible at a time. The server memory control subsystem selects the proper rank within the DIMM when writing to or reading from the DIMM.

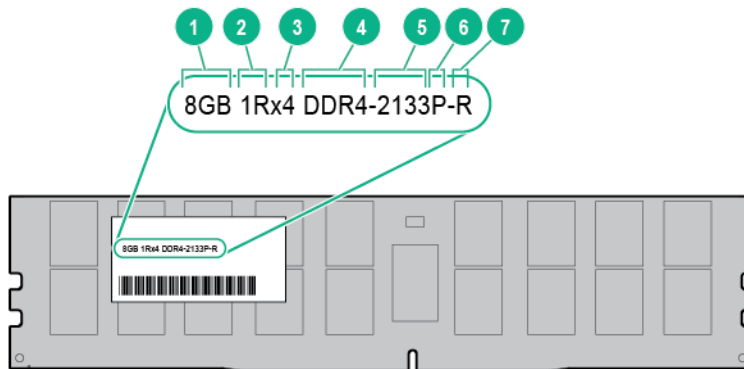
Dual- and quad-rank DIMMs provide the greatest capacity with the existing memory technology. For example, if current DRAM technology supports 8-GB single-rank DIMMs, a dual-rank DIMM would be 16 GB, and a quad-rank DIMM would be 32 GB.

LRDIMMs are labeled as quad-rank DIMMs. There are four ranks of DRAM on the DIMM, but the LRDIMM buffer creates an abstraction that allows the DIMM to appear as a dual-rank DIMM to the system. The

LRDIMM buffer isolates the electrical loading of the DRAM from the system to allow for faster operation. This allows higher memory operating speed compared to quad-rank RDIMMs.

DIMM identification

To determine DIMM characteristics, see the label attached to the DIMM and the following illustration and table.



Item	Description	Definition
1	Capacity	8 GB 16 GB 32 GB 64 GB
2	Rank	1R = Single-rank 2R = Dual-rank 4R = Quad-rank
3	Data width	x4 = 4-bit x8 = 8-bit
4	Memory generation	DDR4
5	Maximum memory speed	2133 MT/s 2400 MT/s
6	CAS latency	P=15 T=17
7	DIMM type	R = RDIMM (registered) L = LRDIMM (load reduced) E = UDIMM (unbuffered with ECC)

For more information about product features, specifications, options, configurations, and compatibility, see the product QuickSpecs on the [Hewlett Packard Enterprise website](#).

Memory configurations

To optimize server availability, the server supports Advanced ECC AMP mode:

- Advanced ECC — Provides up to 4-bit error correction. This mode is the default option for this server.

Advanced Memory Protection options are configured in the BIOS/Platform Configuration (RBSU). If the requested AMP mode is not supported by the installed DIMM configuration, the server boots in Advanced ECC mode. For more information, see the *HPE UEFI System Utilities User Guide* for HPE ProLiant Gen9 Servers on the [Hewlett Packard Enterprise website](#).

Advanced ECC memory configuration

Advanced ECC memory is the default memory protection mode for this server. Standard ECC can correct single-bit memory errors and detect multi-bit memory errors. When multi-bit errors are detected using Standard ECC, the error is signaled to the server and causes the server to halt.

Advanced ECC protects the server against some multi-bit memory errors. Advanced ECC can correct both single-bit memory errors and 4-bit memory errors if all failed bits are on the same DRAM device on the DIMM.

Advanced ECC provides additional protection over Standard ECC because it is possible to correct certain memory errors that would otherwise be uncorrected and result in a server failure. Using HPE Advanced Memory Error Detection technology, the server provides notification when a DIMM is degrading and has a higher probability of uncorrectable memory error.

General DIMM slot population guidelines

Observe the following guidelines for all AMP modes:

- Install DIMMs that are optimized for the installed processor.
- To identify the processor type installed in the server, use the BIOS/Platform Configuration (RBSU) of the UEFI System Utilities.
- Do not mix LRDIMMs and RDIMMs.
- White DIMM slots denote the first slot of a channel (Ch 1-A, Ch 2-B, Ch 3-C, Ch 4-D).
- When only one processor is installed, install DIMMs in sequential alphabetic order: A, B, C, D, E, F, and so forth.
- When two processors are installed, install the DIMMs in sequential alphabetical order balanced between the two processors: P1-A, P2-A, P1-B, P2-B, P1-C, P2-C, and so forth.
- DIMMs should be populated starting farthest from the processor on each channel.

For more information about server memory, see the [Hewlett Packard Enterprise website](#).

Identifying the processor type

The processor type installed in the server is briefly displayed during POST. To view this information and additional processor specifications, do the following:

Procedure

1. Reboot the server.

The server restarts and the POST screen appears.

2. Press **F9**.

The System Utilities screen appears.

3. Select **System Information | Processor Information**.

The Processor Information screen shows detailed information about the processors installed in the server.

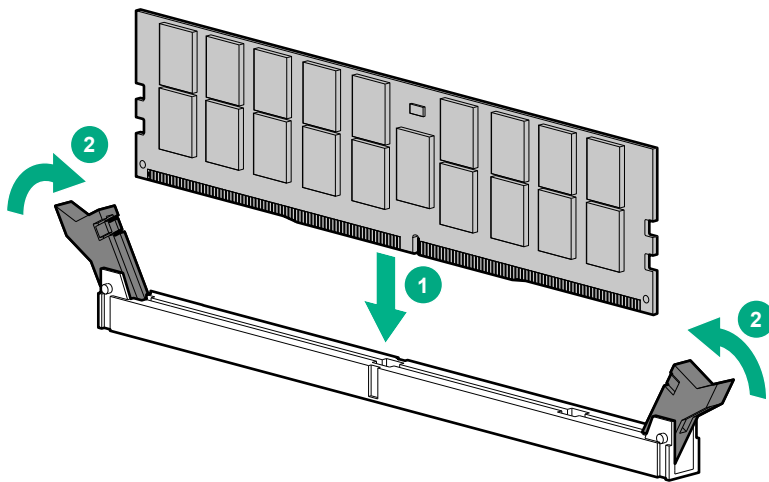
4. Press **Esc** until the main menu is displayed.

5. Select **Reboot the System** to exit the utility and resume the boot process.

Installing a DIMM

Procedure

1. If installed, **remove the security bezel**.
2. **Power down the server**.
3. Remove all power:
 - a. Disconnect each power cord from the power source.
 - b. Disconnect each power cord from the server.
4. Do one of the following:
 - **Extend the server from the rack**.
 - **Remove the server from the rack**.
5. **Remove the access panel**.
6. **Remove the air baffle**.
7. Open the DIMM slot latches.
8. Install the DIMM.



9. **Install the air baffle**.
10. **Install the access panel**.
11. Do one of the following:
 - Slide the server into the rack.
 - **Install the server into the rack**.
12. Connect each power cord to the server.
13. Connect each power cord to the power source.
14. **Power up the server**.
15. **If removed, install the security bezel**.

After installing the DIMMs, use BIOS/Platform Configuration (RBSU) in the UEFI System Utilities to configure the memory protection mode.

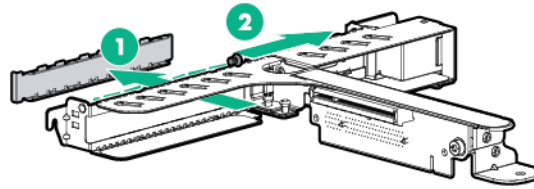
Installing a GPU riser cage assembly

For more information on the riser board slot specifications, see "[PCIe riser board slot definitions](#)."

For more information about the integrated storage controller and its features, select the relevant user documentation on the [Hewlett Packard Enterprise website](#).

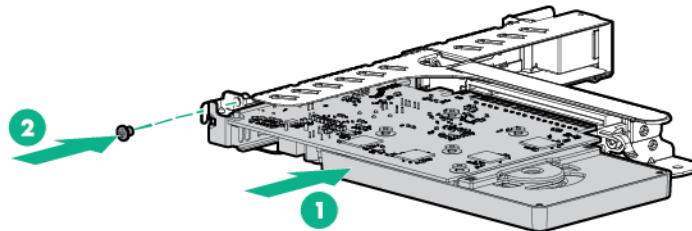
Procedure

1. If installed, **remove the security bezel.**
2. **Power down the server.**
3. Remove all power:
 - a. Disconnect each power cord from the power source.
 - b. Disconnect each power cord from the server.
4. Do one of the following:
 - **Extend the server from the rack.**
 - **Remove the server from the rack.**
5. **Remove the access panel.**
6. **Remove the existing PCI riser cage.**
7. Remove the PCI blank.



Retain the blank for future use.

8. Install the component:
 - a. Firmly seat the GPU in the slot.
 - b. Secure the GPU with a T-10 screw.



9. **Install the PCI riser cage.**

⚠ CAUTION:

To prevent improper cooling and thermal damage, do not operate the server unless all PCI slots have either an expansion slot cover or an expansion board installed.

10. **Install the access panel.**
11. Do one of the following:
 - Slide the server into the rack.
 - **Install the server into the rack.**
12. Connect each power cord to the server.
13. Connect each power cord to the power source.

14. **Power up the server.**
15. **If removed, install the security bezel.**

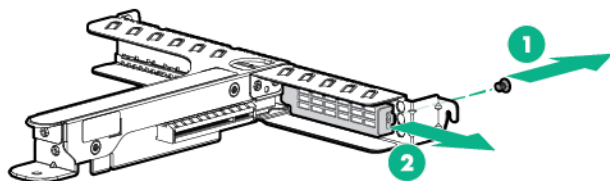
Installing a FlexibleLOM riser cage assembly

For more information on the riser board slot specifications, see "[PCIe riser board slot definitions](#)."

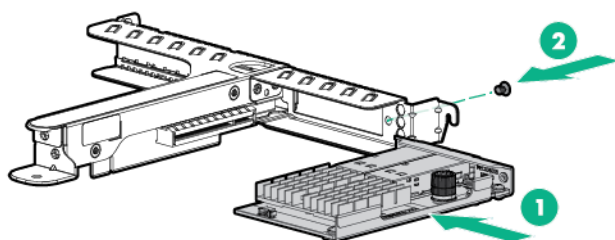
For more information about the integrated storage controller and its features, select the relevant user documentation on the [Hewlett Packard Enterprise website](#).

Procedure

1. If installed, **remove the security bezel.**
2. **Power down the server.**
3. Remove all power:
 - a. Disconnect each power cord from the power source.
 - b. Disconnect each power cord from the server.
4. Do one of the following:
 - **Extend the server from the rack.**
 - **Remove the server from the rack.**
5. **Remove the access panel.**
6. **Remove the existing PCI riser cage.**
7. Using a T-10 screwdriver, remove the blank from the FlexibleLOM slot of the riser cage.



8. Install the FlexibleLOM adapter:
 - a. Firmly seat the FlexibleLOM adapter in the slot.
 - b. Secure the FlexibleLOM adapter with a T-10 screw.



9. **Install the PCI riser cage.**

⚠ CAUTION:

To prevent improper cooling and thermal damage, do not operate the server unless all PCI slots have either an expansion slot cover or an expansion board installed.

10. **Install the access panel.**
11. Do one of the following:
 - Slide the server into the rack.
 - **Install the server into the rack.**
12. Connect each power cord to the server.
13. Connect each power cord to the power source.
14. **Power up the server.**
15. **If removed, install the security bezel.**

Installing a redundant power supply option

⚠ WARNING:

To reduce the risk of electric shock or damage to the equipment:

- Do not disable the power cord grounding plug. The grounding plug is an important safety feature.
 - Plug the power cord into a grounded (earthed) electrical outlet that is easily accessible at all times.
 - Unplug the power cord from the power supply to disconnect power to the equipment.
 - Do not route the power cord where it can be walked on or pinched by items placed against it. Pay particular attention to the plug, electrical outlet, and the point where the cord extends from the equipment
-

⚠ CAUTION:

To reduce the risk of injury from electric shock hazards, do not open the power supplies. Refer all maintenance, upgrades, and servicing to qualified personnel.

⚠ CAUTION:

To reduce the risk of personal injury from hot surfaces, allow the drives and the internal system components to cool before touching them.

⚠ CAUTION:

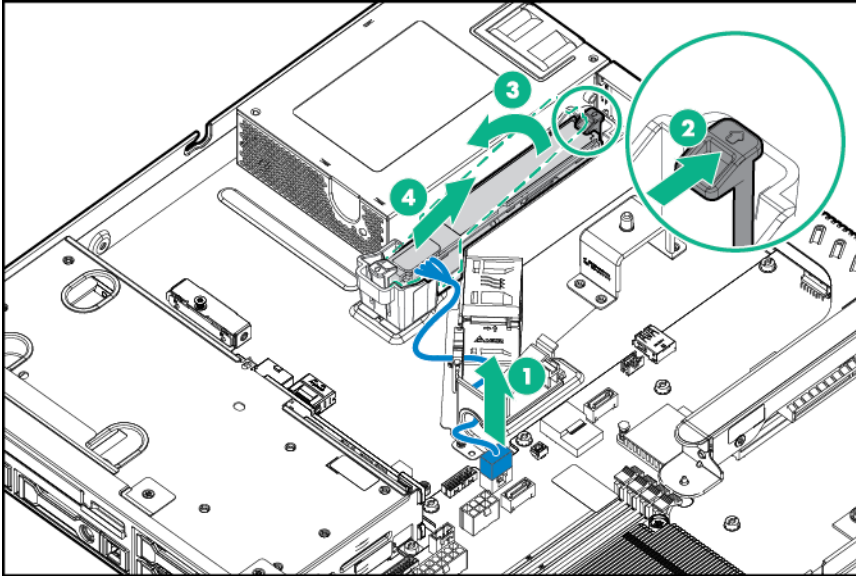
To prevent damage to electrical components, properly ground the server before beginning any installation procedure. Improper grounding can cause electrostatic discharge.

For more information about the integrated storage controller and its features, select the relevant user documentation on the **Hewlett Packard Enterprise website.**

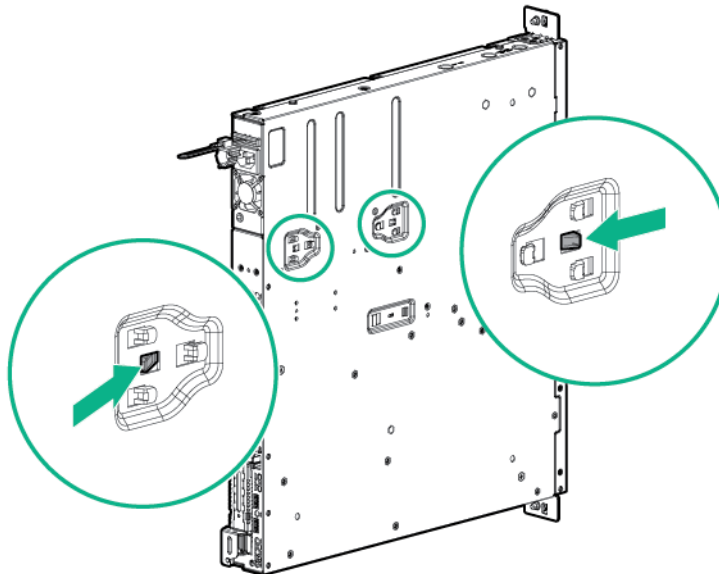
Procedure

1. If installed, **remove the security bezel.**
2. **Power down the server.**
3. Release the power cords from the strain relief straps.
4. Remove all power:
 - a. Disconnect each power cord from the power source.
 - b. Disconnect each power cord from the server.
5. Do one of the following:

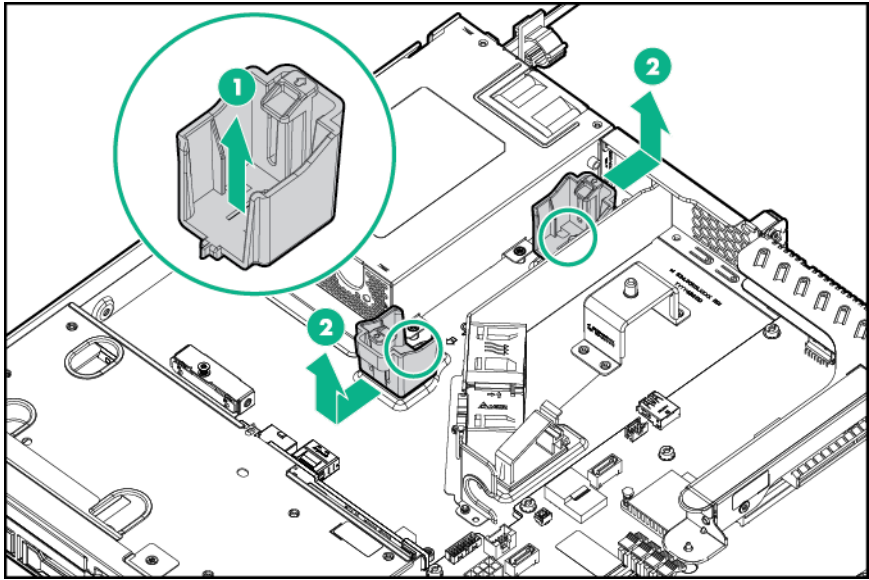
- **Extend the server from the rack.**
 - **Remove the server from the rack.**
6. **Remove the access panel.**
 7. **Remove the air baffle.**
 8. If installed, remove the Smart Storage Battery.



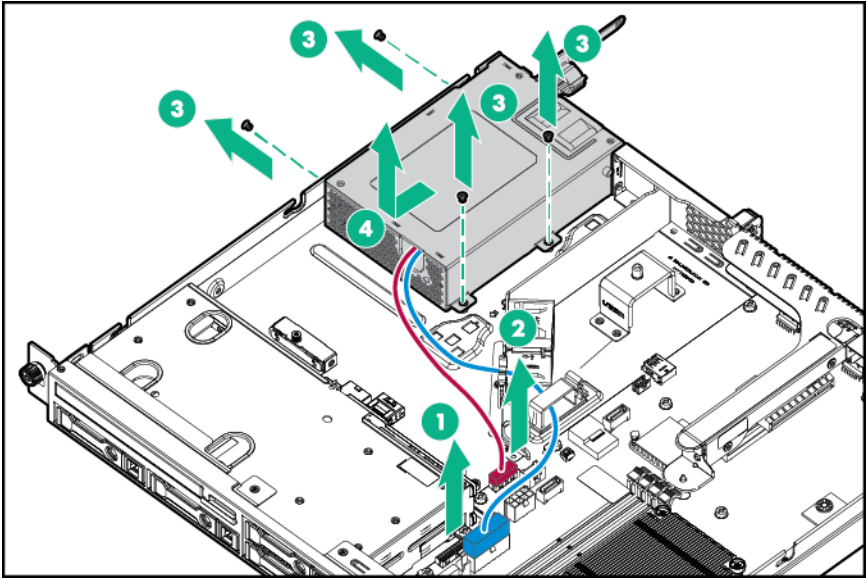
9. Remove the Smart Storage Battery holders.
 - a. Access the bottom of the chassis and push in latch of each holder.



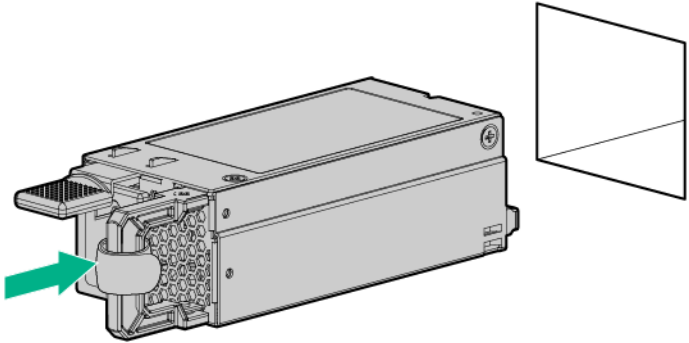
- b. Remove the Smart Storage Battery holders.



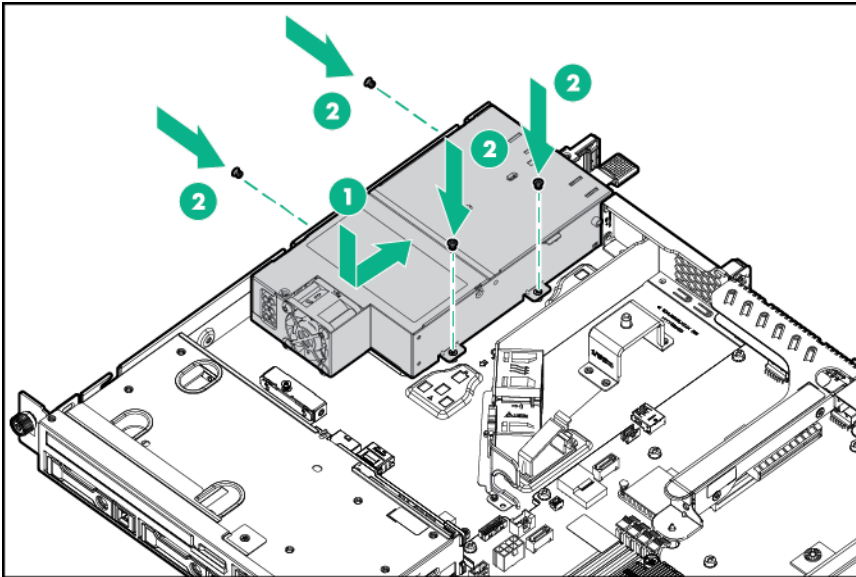
10. Remove the existing power supply.



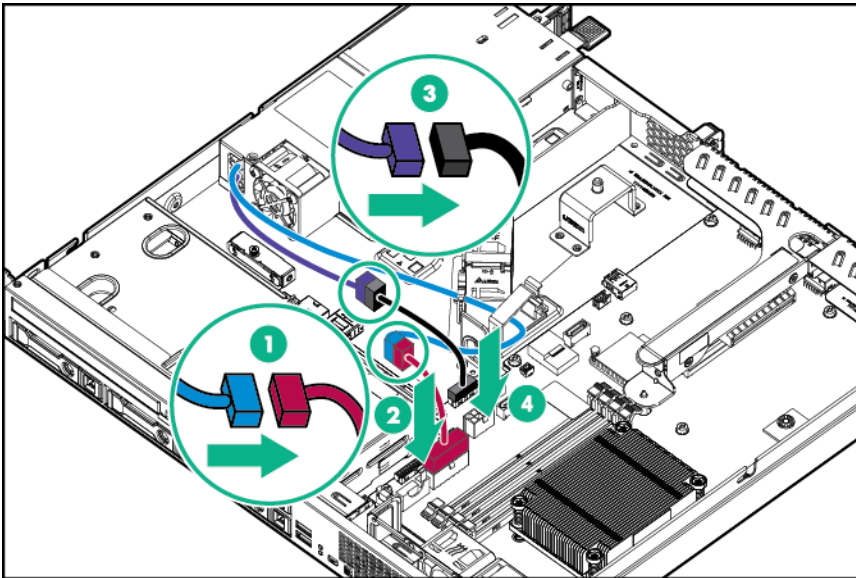
11. Install a hot-plug power input module into power supply bay 1.



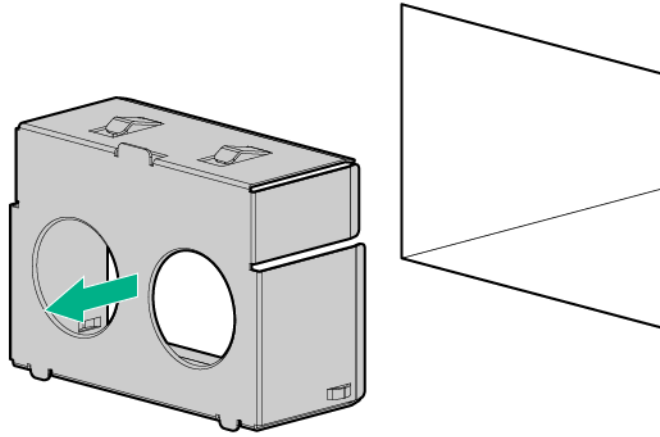
12. Install the RPS backplane in the server.



13. Connect the adapter cables.



14. If you intend to enable power redundancy in the server, install a second power input module in the power supply bay 2:
a. Remove the power supply blank.

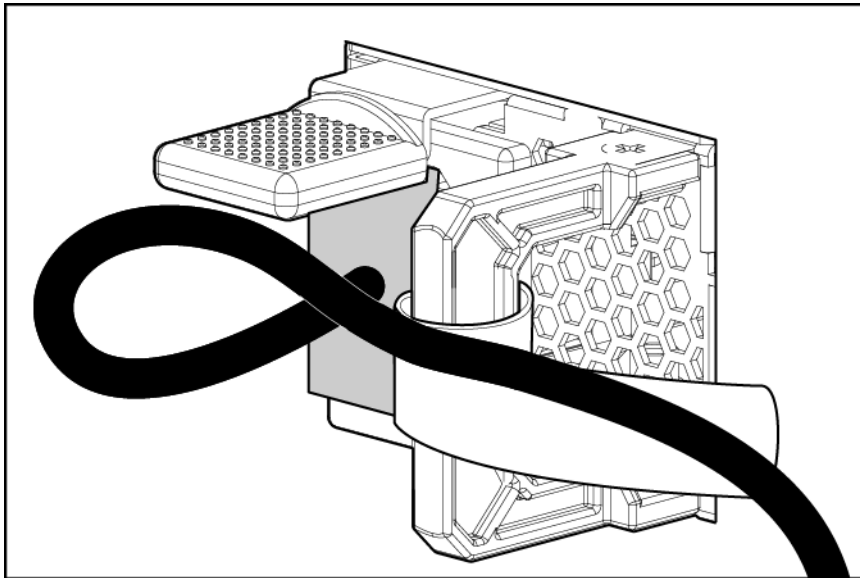


- b. Install a hot-plug power input module into power supply bay 2.
- 15. To prevent accidental power cord disconnection when sliding the server in and out of the rack, secure the power cord in the strain relief strap attached to the power input module handle:
 - a. Unwrap the strain relief strap from the power input module handle.

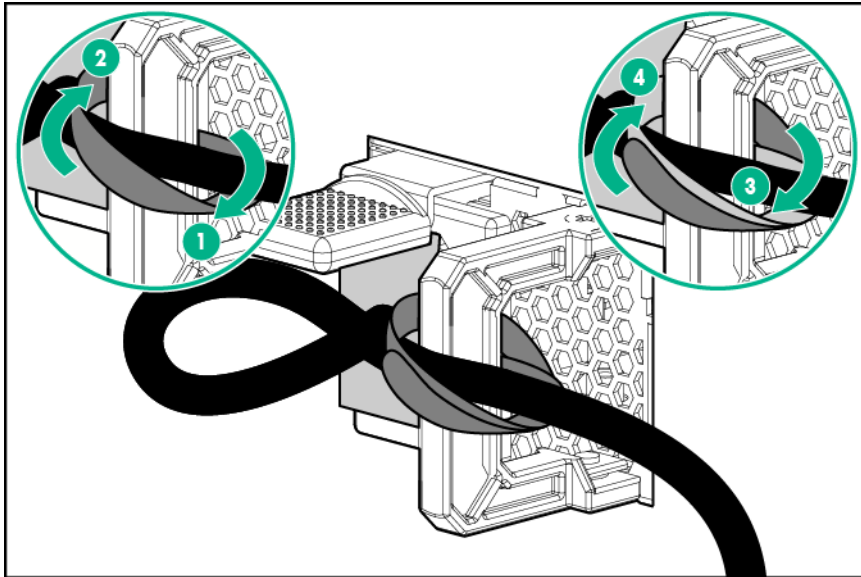
⚠ CAUTION:

Avoid tight bend radii to prevent damaging the internal wires of a power cord or a server cable. Never bend power cords and server cables tight enough to cause a crease in the sheathing.

- b. Bend the plug end of the power cord in the position shown in the following image.



- c. Secure the power cord with the strain relief strap.



16. Employ best practices to route and manage the power cords and other cables in the server rear panel.

! **IMPORTANT:**

When using cable management arm components, be sure to leave enough slack in each of the cables to prevent damage to the cables when the server is extended from the rack.

17. If removed, **install the Smart Storage Battery holders.**
18. If removed, **install the Smart Storage Battery and connect the cable to the system board.**
19. **Install the air baffle.**
20. **Install the access panel.**
21. Do one of the following:
 - Slide the server into the rack.
 - **Install the server into the rack.**
22. Connect each power cord to the server.
23. Connect each power cord to the power source.
24. **Power up the server.**
25. **If removed, install the security bezel.**

Trusted Platform Module option

For more information about product features, specifications, options, configurations, and compatibility, see the product QuickSpecs on the **Hewlett Packard Enterprise website.**

Use these instructions to install and enable a TPM on a supported server. This procedure includes three sections in the following chapter:

- Installing the Trusted Platform Module board.
- Retaining the recovery key/password.
- Enabling the Trusted Platform Module.

Enabling the TPM requires accessing the BIOS/Platform Configuration (RBSU) in the UEFI System Utilities.

TPM installation requires the use of drive encryption technology, such as the Microsoft Windows BitLocker Drive Encryption feature. For more information on BitLocker, see the **Microsoft website.**

⚠ CAUTION:

Always observe the guidelines in this document. Failure to follow these guidelines can cause hardware damage or halt data access.

When installing or replacing TPM, observe the following guidelines:

- Do not remove an installed TPM. Once installed, the TPM becomes a permanent part of the system board.
- When installing or replacing hardware, Hewlett Packard Enterprise service providers cannot enable the TPM or the encryption technology. For security reasons, only the customer can enable these features.
- When returning a system board for service replacement, do not remove the TPM from the system board. When requested, Hewlett Packard Enterprise Service provides a TPM with the spare system board.
- Any attempt to remove an installed TPM from the system board breaks or disfigures the TPM security rivet. Upon locating a broken or disfigured rivet on an installed TPM, administrators should consider the system compromised and take appropriate measures to ensure the integrity of the system data.
- When using BitLocker, always retain the recovery key/password. The recovery key/password is required to enter Recovery Mode after BitLocker detects a possible compromise of system integrity.
- Hewlett Packard Enterprise is not liable for blocked data access caused by improper TPM use. For operating instructions, see the encryption technology feature documentation provided by the operating system.

Installing a Trusted Platform Module board

⚠ WARNING:

To reduce the risk of personal injury from hot surfaces, allow the drives and the internal system components to cool before touching them.

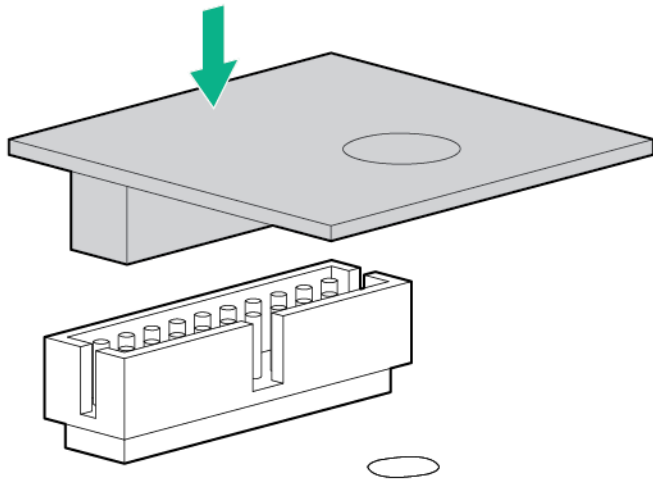
⚠ CAUTION:

Any attempt to remove an installed TPM from the system board breaks or disfigures the TPM security rivet. Upon locating a broken or disfigured rivet on an installed TPM, administrators should consider the system compromised and take appropriate measures to ensure the integrity of the system data.

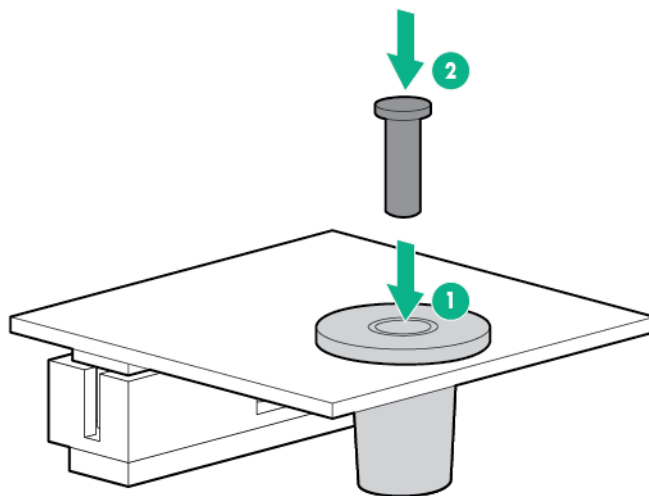
Procedure

1. If installed, **remove the security bezel.**
2. **Power down the server.**
3. Remove all power:
 - a. Disconnect each power cord from the power source.
 - b. Disconnect each power cord from the server.
4. Do one of the following:
 - **Extend the server from the rack.**
 - **Remove the server from the rack.**
5. **Remove the access panel.**
6. **Remove the PCI riser cage.**
7. Install the TPM board by pressing the board into the connector.

For the location of the TPM connector, see "**System board components.**"



8. Install the TPM security rivet by pressing the rivet firmly into the system board.



9. **Install the PCI riser cage.**
10. **Install the access panel.**
11. Do one of the following:
 - Slide the server into the rack.
 - **Install the server into the rack.**
12. Connect each power cord to the server.
13. Connect each power cord to the power source.
14. **Power up the server.**
15. **If removed, install the security bezel.**

Retaining the recovery key/password

The recovery key/password is generated during BitLocker setup, and can be saved and printed after BitLocker is enabled. When using BitLocker, always retain the recovery key/password. The recovery key/password is required to enter Recovery Mode after BitLocker detects a possible compromise of system integrity.

To help ensure maximum security, observe the following guidelines when retaining the recovery key/password:

- Always store the recovery key/password in multiple locations.
- Always store copies of the recovery key/password away from the server.
- Do not save the recovery key/password on the encrypted hard drive.

Enabling the Trusted Platform Module

Procedure

1. During the server startup sequence, press the **F9** key to access System Utilities.
2. From the System Utilities screen, select **System Configuration > BIOS/Platform Configuration (RBSU) > Server Security**.
3. Select **Trusted Platform Module Options** and press the **Enter** key.
4. Select **Enabled** to enable the TPM and BIOS secure startup. The TPM is fully functional in this mode.
5. Press the **F10** key to save your selection.
6. When prompted to save the change in System Utilities, press the **Y** key.
7. Press the **ESC** key to exit System Utilities. Then, press the **Enter** key when prompted to reboot the server.

The server then reboots a second time without user input. During this reboot, the TPM setting becomes effective.

You can now enable TPM functionality in the OS, such as Microsoft Windows BitLocker or measured boot.

CAUTION:

When a TPM is installed and enabled on the server, data access is locked if you fail to follow the proper procedures for updating the system or option firmware, replacing the system board, replacing a hard drive, or modifying OS application TPM settings.

For more information on firmware updates and hardware procedures, see the Trusted Platform Module Best Practices White Paper on the [Hewlett Packard Enterprise Support Center website](#).

For more information on adjusting TPM usage in BitLocker, see the [Microsoft website](#).

Cabling

Cabling overview

This section provides guidelines to help make informed decisions about cabling the server and hardware options to optimize performance.

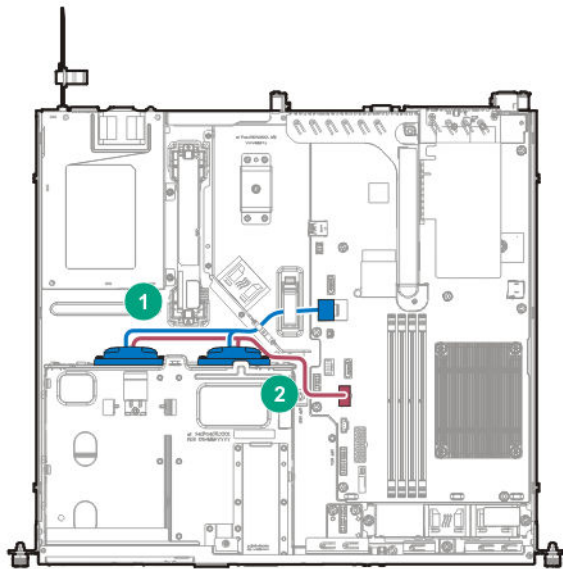
For information on cabling peripheral components, see the white paper on high-density deployment at the [Hewlett Packard Enterprise website](#).

⚠ CAUTION:

When routing cables, always be sure that the cables are not in a position where they can be pinched or crimped.

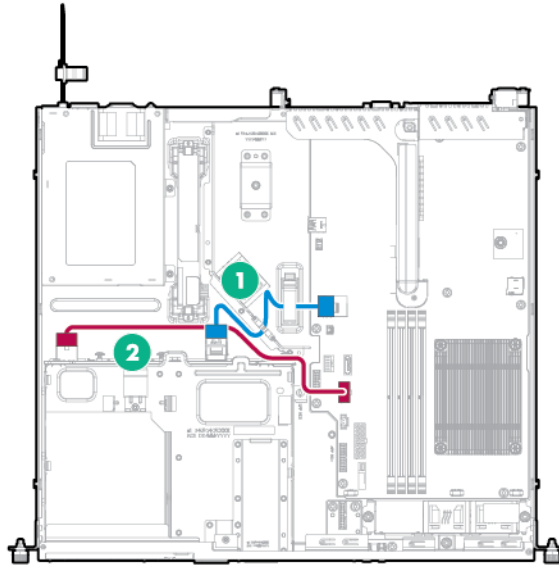
Storage cabling

Two-bay LFF non-hot-plug drive cabling



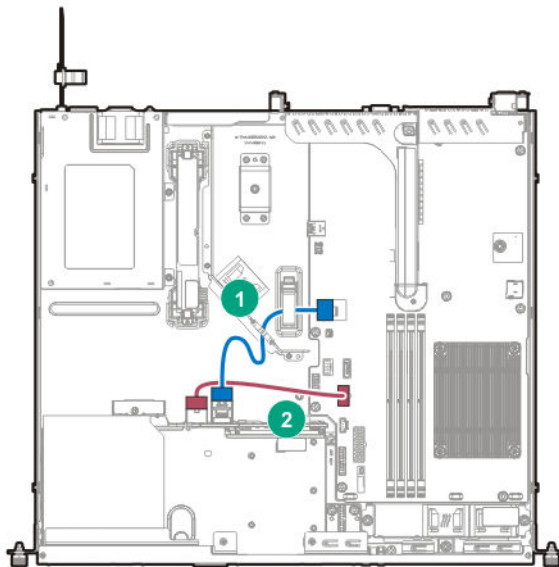
Item	Description
1	Mini-SAS cable
2	Drive power cable

Two-bay LFF hot-plug drive cabling



Item	Description
1	Mini-SAS cable
2	Drive power cable

Four-bay SFF hot-plug drive cabling



Item	Description
1	Mini-SAS cable
2	Drive power cable

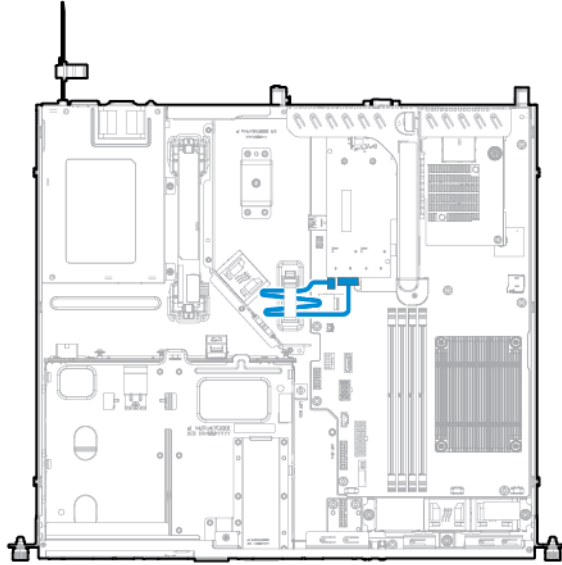
M.2 SSD cabling

- Single M.2 SSD SATA cabling

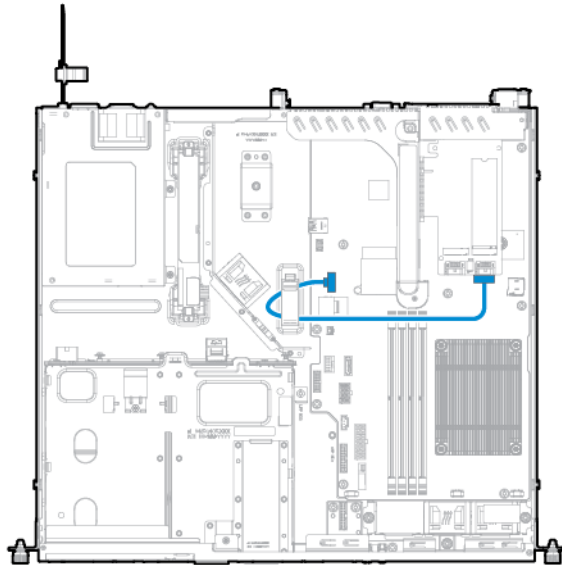
NOTE:

M.2 SSD cabling is the same for both LFF and SFF configurations.

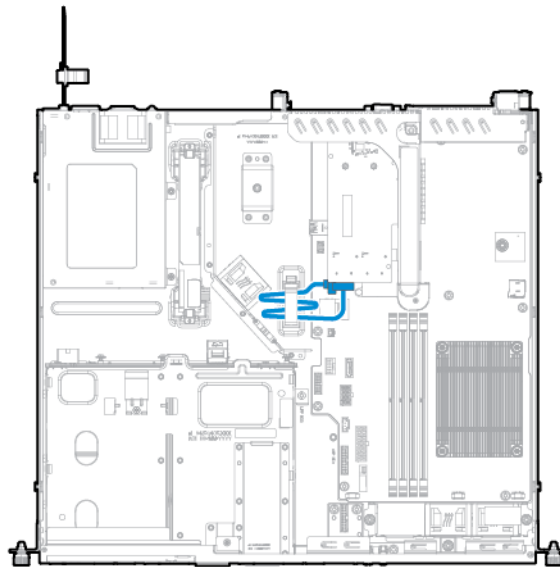
- Slot 2 of the FlexibleLOM riser cage assembly



- Slot 1 of the two-slot PCI riser cage assembly



- Slot 2 of the two-slot PCI riser cage assembly

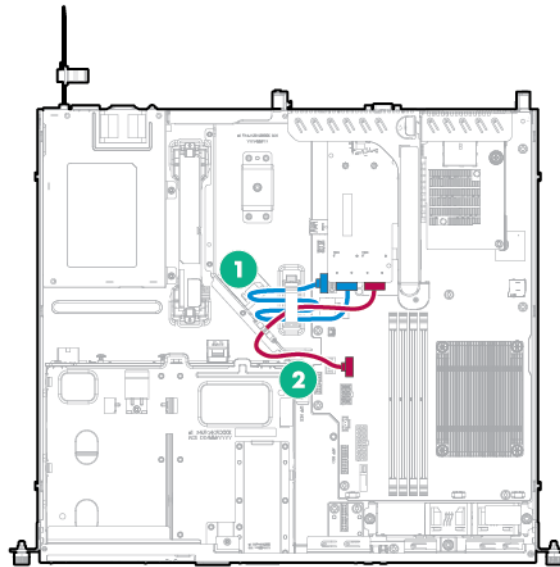


- Dual M.2 SSD SATA cabling

NOTE:

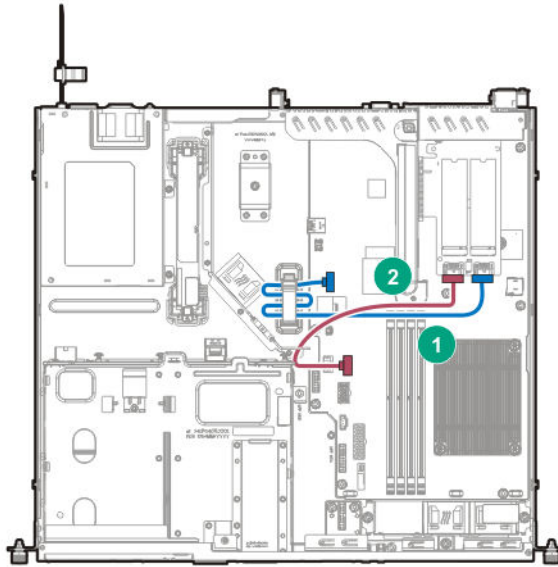
M.2 SSD cabling is the same for both LFF and SFF configurations.

- Slot 2 of the FlexibleLOM riser cage assembly



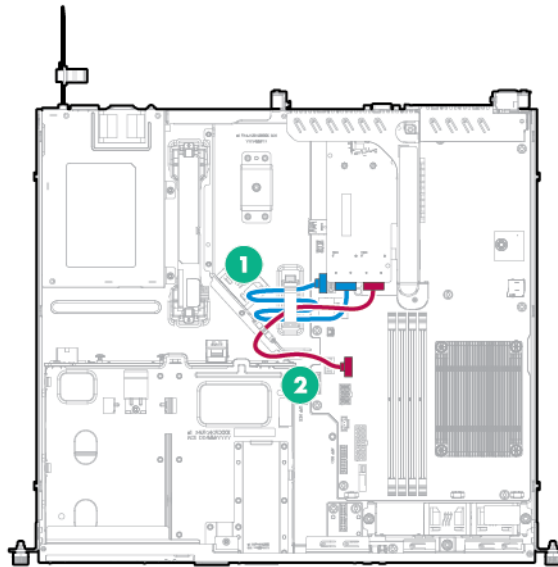
Item	Description
1	M.2 SSD 1 SATA cable
2	M.2 SSD 2 SATA cable

- Slot 1 of the two-slot PCI riser cage assembly



Item	Description
1	M.2 SSD 1 SATA cable
2	M.2 SSD 2 SATA cable

- Slot 2 of the two-slot PCI riser cage assembly

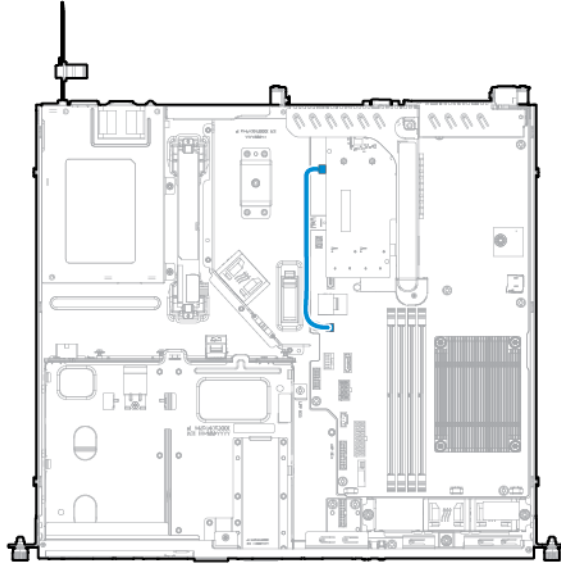


Item	Description
1	M.2 SSD 1 SATA cable
2	M.2 SSD 2 SATA cable

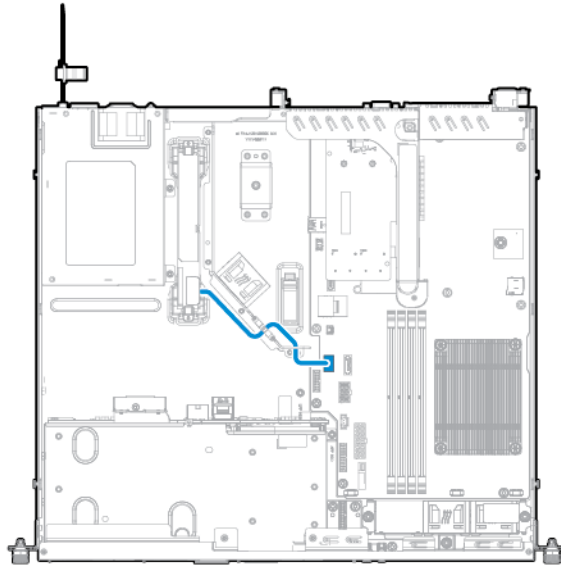
FBWC cabling

The FBWC solution is a separately purchased option. This server only supports FBWC module installation when a Smart Array P-Series controller is installed.

Depending on the controller option installed, the actual storage controller connectors might look different from what is shown in this section.

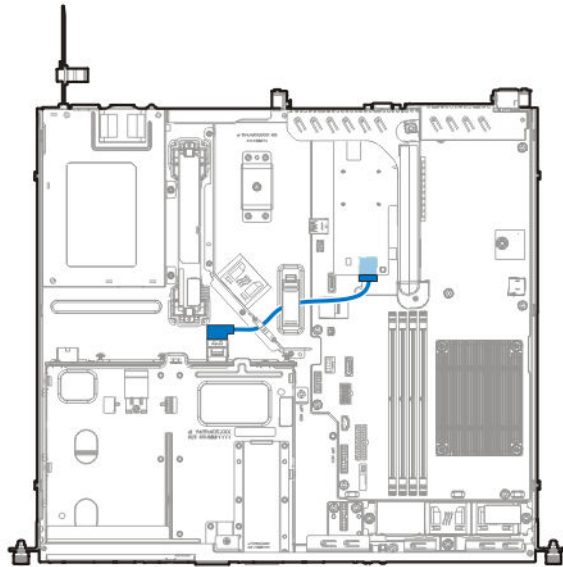


Smart Storage Battery cabling

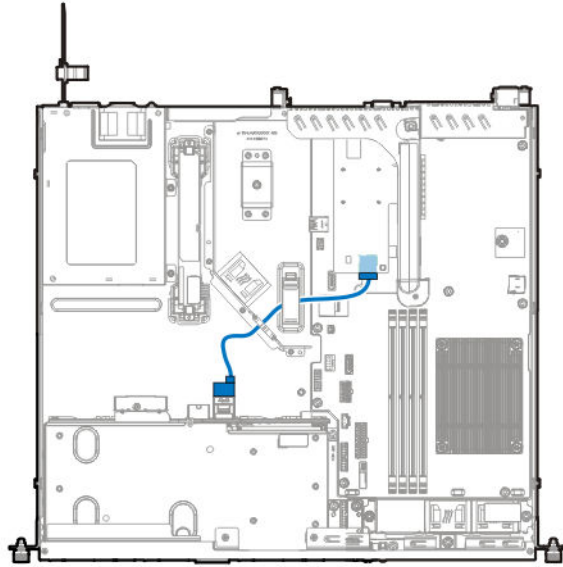


H240 Hot Bust Adapter cabling

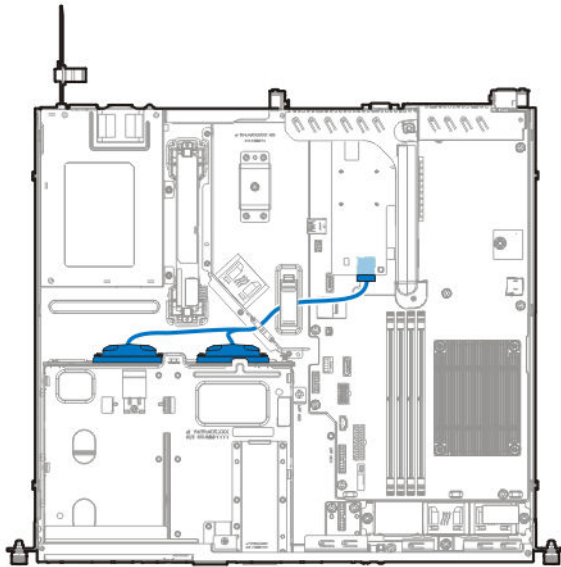
- Two-bay LFF hot-plug configuration



- Four-bay SFF hot-plug configuration

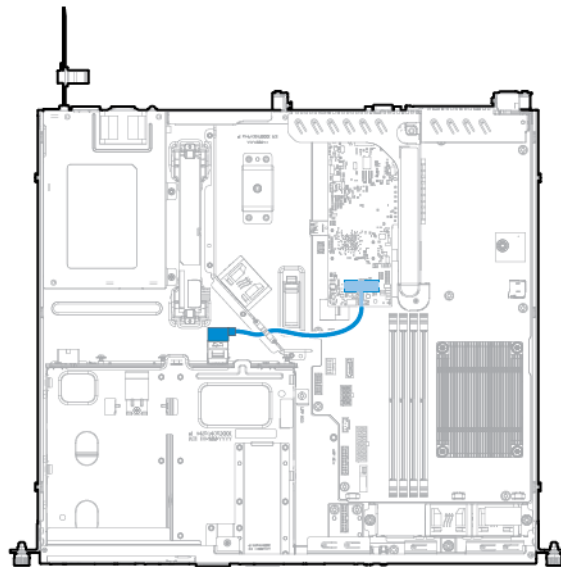


- Two-bay LFF non-hot-plug configuration

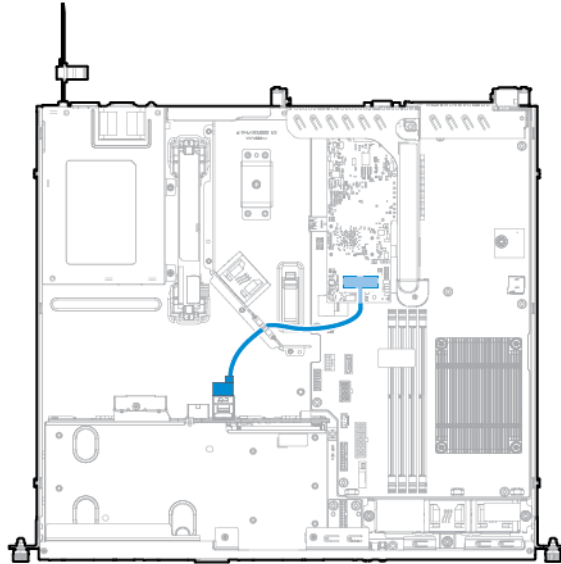


P440 Smart Array Controller cabling

- Two-bay LFF hot-plug drive configuration

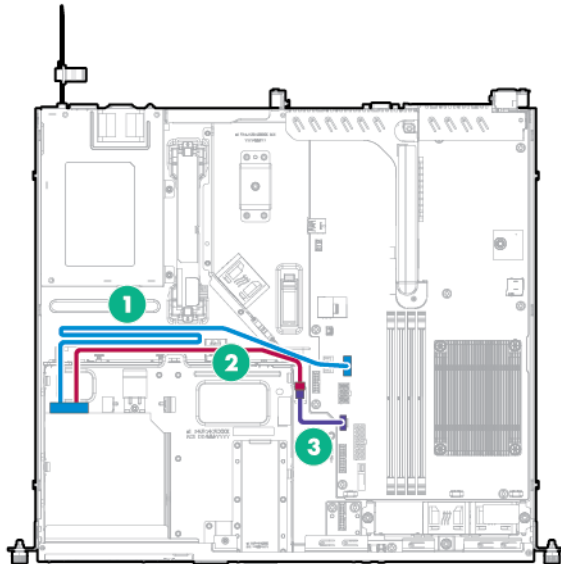


- Four-bay SFF hot-plug drive configuration

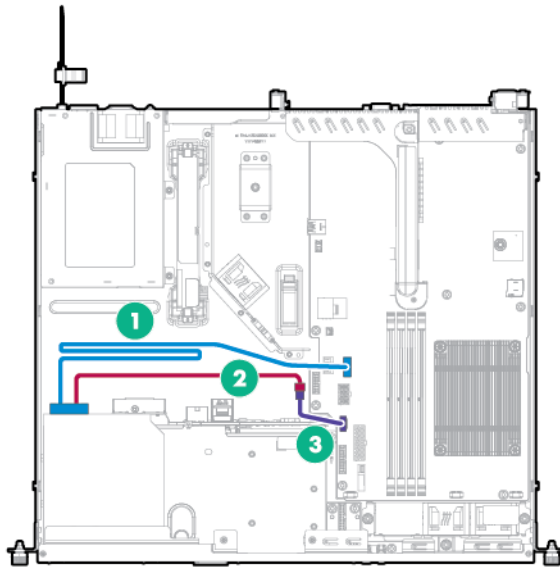


Optical drive cabling

- Two-bay LFF configuration

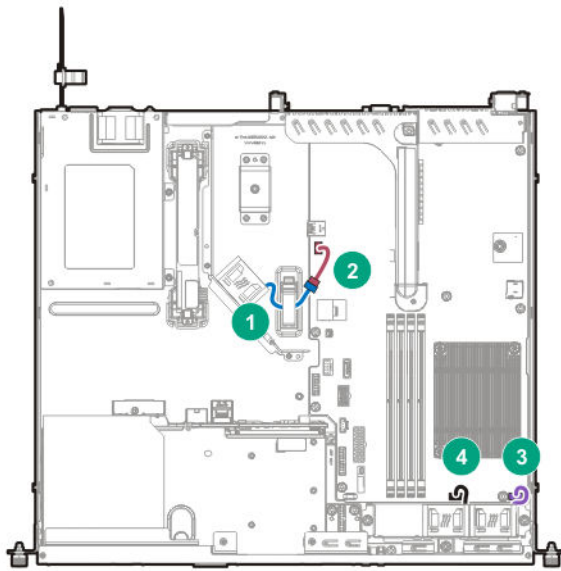


- Four-bay SFF configuration



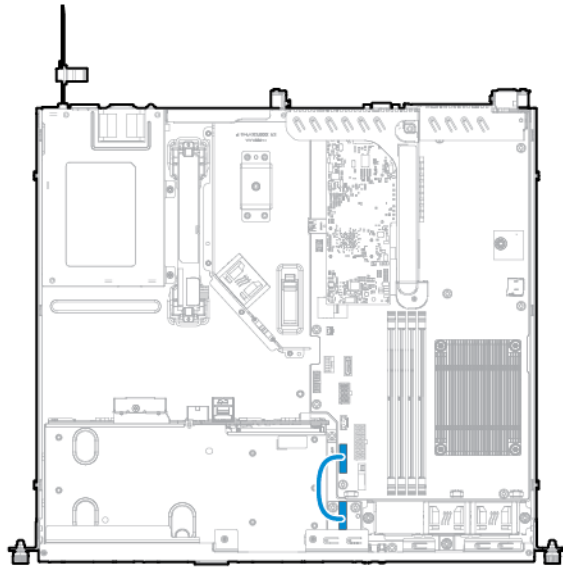
Item	Description
1	SATA cable
2	Power cable
3	4-pin to 4-pin power extension cable

Fan cabling



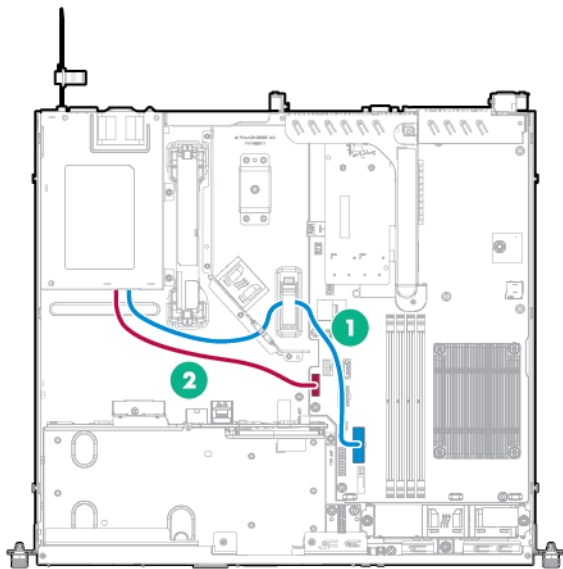
Item	Description
1	Fan 3 power cable
2	Fan 3 power extension cable
3	Fan 2 power cable
4	Fan 1 power cable

Front I/O cabling



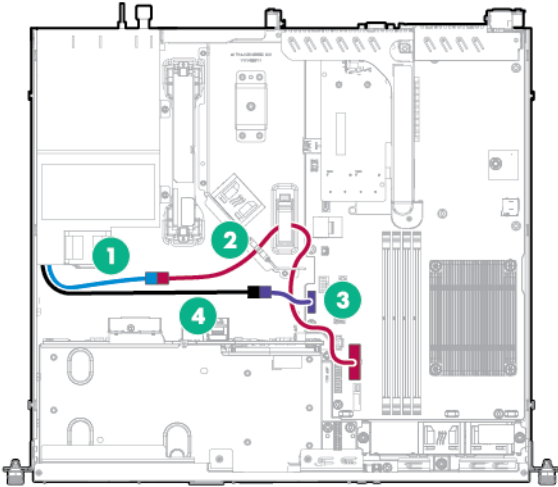
Power supply cabling

HPE 290W non-hot-plug power supply cabling



Item	Description
1	14-pin power cable
2	16-pin power supply sideband signal cable

Redundant power supply backplane cabling



Item	Description
1	24-pin power cable
2	24-pin to 14-pin power extension cable
3	Power supply sideband extension cable
4	16-pin power supply sideband signal cable

Software and configuration utilities

Server mode

The software and configuration utilities presented in this section operate in online mode, offline mode, or in both modes. Depending on the server model, your server may not support all of the tools and solutions in this section.

All software and configuration utilities listed in this table are not supported on all HPE ProLiant servers.

Software or configuration utility	Server mode
<u>HPE iLO</u>	Online and Offline
<u>Active Health System</u>	Online and Offline
<u>Integrated Management Log</u>	Online and Offline
<u>Intelligent Provisioning</u>	Offline
<u>HPE Insight Diagnostics</u>	Online and Offline
<u>HPE Insight Remote Support software</u>	Online
<u>HPE Insight Online</u>	Online
<u>Erase Utility</u>	Offline
<u>Scripting Toolkit for Windows and Linux</u>	Online
<u>HPE Service Pack for ProLiant</u>	Online and Offline
<u>HP Smart Update Manager</u>	Online and Offline
<u>UEFI System Utilities</u> — HPE ProLiant DL580 Gen8 Server only	Offline
HPE ROM-Based Setup Utility	Offline
Array Configuration Utility	Online and Offline
<u>HPE Smart Storage Administrator</u>	Online and Offline
Option ROM Configuration for Arrays	Offline
ROMPaq utility	Offline

Product QuickSpecs

For more information about product features, specifications, options, configurations, and compatibility, see the product QuickSpecs on the [Hewlett Packard Enterprise website](#).

HPE iLO

iLO is a remote server management processor embedded on the system boards of HPE ProLiant and Synergy servers. iLO enables the monitoring and controlling of servers from remote locations. HPE iLO management is a powerful tool that provides multiple ways to configure, update, monitor, and repair servers remotely. iLO (Standard) comes preconfigured on HPE servers **without an additional cost or license**.

Features that enhance server administrator productivity are licensed. For more information, see the iLO documentation on the [Hewlett Packard Enterprise website](#).

Active Health System

The Active Health System monitors and records changes in the server hardware and system configuration.

The Active Health System provides:

- Continuous health monitoring of over 1600 system parameters
- Logging of all configuration changes
- Consolidated health and service alerts with precise time stamps
- Agentless monitoring that does not affect application performance

The Agentless Management Service is available in the SPP, which can be downloaded from the [Hewlett Packard Enterprise website](#). The Active Health System log can be downloaded manually from iLO 4 or Intelligent Provisioning and sent to Hewlett Packard Enterprise.

For more information, see the following documents:

- *iLO User Guide* on the [Hewlett Packard Enterprise website](#)
- *Intelligent Provisioning User Guide* on the [Hewlett Packard Enterprise website](#)

iLO RESTful API support

HPE iLO 4 firmware version 2.00 and later includes the iLO RESTful API. The iLO RESTful API is a management interface that server management tools can use to perform configuration, inventory, and monitoring of the ProLiant server via iLO. The iLO RESTful API uses basic HTTPS operations (GET, PUT, POST, DELETE, and PATCH) to submit or return JSON-formatted data with iLO web server.

HPE iLO 4 2.30 and later is Redfish 1.0-conformant while remaining backward compatible with the existing iLO RESTful API.

HPE iLO 4 supports the iLO RESTful API with ProLiant Gen8 and later servers. For more information about the iLO RESTful API, see the [Hewlett Packard Enterprise website](#).

Integrated Management Log

The IML records hundreds of events and stores them in an easy-to-view form. The IML timestamps each event with one-minute granularity.

You can view recorded events in the IML in several ways, including the following:

- From within HPE SIM
- From within the UEFI System Utilities
- From within the Embedded UEFI shell
- From within operating system-specific IML viewers:
 - For Windows: IML Viewer
 - For Linux: IML Viewer Application
- From within the iLO web interface
- From within Insight Diagnostics

HPE Insight Remote Support

Hewlett Packard Enterprise strongly recommends that you register your device for remote support to enable enhanced delivery of your Hewlett Packard Enterprise warranty, HPE support services, or Hewlett Packard Enterprise contractual support agreement. Insight Remote Support supplements your monitoring continuously to ensure maximum system availability by providing intelligent event diagnosis, and automatic, secure submission of hardware event notifications to Hewlett Packard Enterprise, which will initiate a fast and accurate resolution, based on your product's service level. Notifications can be sent to your authorized Hewlett Packard Enterprise Channel Partner for onsite service, if configured and available in your country.

For more information, see *Insight Remote Support and Insight Online Setup Guide for ProLiant Servers and BladeSystem c-Class Enclosures* on the [Hewlett Packard Enterprise website](#). Insight Remote Support is available as part of Hewlett Packard Enterprise Warranty, HPE support services, or Hewlett Packard Enterprise contractual support agreement.

HPE Insight Remote Support central connect

When you use the embedded Remote Support functionality with ProLiant Gen8 and later server models and BladeSystem c-Class enclosures, you can register a server or enclosure to communicate to Hewlett Packard Enterprise through an Insight Remote Support centralized Hosting Device in your local environment. All configuration and service event information is routed through the Hosting Device. This information can be viewed by using the local Insight Remote Support user interface or the web-based view in Insight Online.

For more information, see *Insight Remote Support Release Notes* on the [Hewlett Packard Enterprise website](#).

HPE Insight Online direct connect

When you use the embedded Remote Support functionality with ProLiant Gen8 and later server models and BladeSystem c-Class enclosures, you can register a server or enclosure to communicate directly to Insight Online without the need to set up an Insight Remote Support centralized Hosting Device in your local environment. Insight Online will be your primary interface for remote support information.

For more information, see the product documentation on the [Hewlett Packard Enterprise website](#).

Insight Online

HPE Insight Online is a capability of the Support Center portal. Combined with Insight Remote Support central connect or Insight Online direct connect, it automatically aggregates device health, asset, and support information with contract and warranty information, and then secures it in a single, personalized dashboard that is viewable from anywhere at any time. The dashboard organizes your IT and service data to help you understand and respond to that information more quickly. With specific authorization from you, an authorized Channel Partner can also view your IT environment remotely using Insight Online.

For more information about using Insight Online, see *Insight Online User's Guide* on the [Hewlett Packard Enterprise website](#).

Intelligent Provisioning

Intelligent Provisioning is a single-server deployment tool embedded in ProLiant Gen8 and later servers. Intelligent Provisioning simplifies ProLiant server setup and provides a reliable and consistent way to deploy ProLiant server configurations:

- Intelligent Provisioning prepares the system for installing "off-the-shelf" and Hewlett Packard Enterprise branded versions of operating system software and integrates optimized ProLiant server support software.
- Intelligent Provisioning provides installation help for Microsoft Windows, Red Hat and SUSE Linux, and VMware operating systems. For specific OS support, see the *Intelligent Provisioning Release Notes* on the [Hewlett Packard Enterprise website](#).
- Intelligent Provisioning provides maintenance-related tasks using the Perform Maintenance window.

For more information about Intelligent Provisioning software and recovery media downloads, see the [Hewlett Packard Enterprise website](#). For consolidated drive and firmware update packages, see the Smart Update: Server Firmware and Driver Updates page on the [Hewlett Packard Enterprise website](#).

Insight Diagnostics

The Insight Diagnostics is a proactive server management tool, available in both offline and online versions. The tool provides diagnostics and troubleshooting capabilities to assist IT administrators who verify server installations, troubleshoot problems, and perform repair validation.

The Insight Diagnostics Offline Edition performs various in-depth system and component testing while the OS is not running. To run this utility, boot the server using Intelligent Provisioning.

The Insight Diagnostics Online Edition is a web-based application that captures system configuration and other related data needed for effective server management. Available in Microsoft Windows and Linux versions, the utility helps to ensure proper system operation.

For more information or to download the utility, see the [Hewlett Packard Enterprise website](#). The Insight Diagnostics Online Edition is also available in the SPP.

Insight Diagnostics survey functionality

Insight Diagnostics provides survey functionality that gathers critical hardware and software information on ProLiant servers.

This functionality supports operating systems that the server supports. For operating systems supported by the server, see the [Hewlett Packard Enterprise website](#).

If a significant change occurs between data-gathering intervals, the survey function marks the previous information and overwrites the survey data files to reflect the latest changes.

Survey functionality is installed with every Intelligent Provisioning-assisted Insight Diagnostics installation, or it can be installed through the SPP.

Erase Utility

CAUTION:

Perform a backup before running the Erase Utility. The utility completes the following:

- Sets the system to its original factory state
- Deletes the current hardware configuration information, including array setup and disk partitioning
- Erases all connected hard drives completely.

Before using this utility, see the instructions in the Intelligent Provisioning User Guide.

Use the Erase Utility to erase drives and Active Health System logs, and to reset UEFI System Utilities settings. Run the Erase Utility if you must erase the system for the following reasons:

- You want to install a new operating system on a server with an existing operating system.
- You encounter an error when completing the steps of a factory-installed operating system installation.

To access the Erase Utility, click the Perform Maintenance icon from the Intelligent Provisioning home screen, and then select Erase.

For more information about the Erase Utility, see the Intelligent Provisioning User Guide on the [Hewlett Packard Enterprise website](#).

Scripting Toolkit for Windows and Linux

The STK for Windows and Linux is a server deployment product that delivers an unattended automated installation for high-volume server deployments. The STK is designed to support ProLiant servers. The toolkit includes a modular set of utilities and important documentation that describes how to apply these tools to build an automated server deployment process.

The STK provides a flexible way to create standard server configuration scripts. These scripts are used to automate many of the manual steps in the server configuration process. This automated server configuration process cuts time from each deployment, making it possible to scale rapid, high-volume server deployments.

For more information or to download the STK, see the [Hewlett Packard Enterprise website](#).

Service Pack for ProLiant

The SPP is a comprehensive systems software (drivers and firmware) solution delivered as a single package with major server releases. This solution uses HP SUM as the deployment tool and is tested on all supported ProLiant servers including ProLiant Gen8 and later servers.

SPP can be used in an online mode on a Windows or Linux hosted operating system, or in an offline mode where the server is booted to an operating system included on the ISO file so that the server can be updated automatically with no user interaction or updated in interactive mode.

For more information or to download SPP, see one of the following pages on the Hewlett Packard Enterprise website:

- [Service Pack for ProLiant download page](#)
- [Smart Update: Server Firmware and Driver Updates page](#)

HP Smart Update Manager

HP SUM is a product used to install and update firmware, drivers, and systems software on ProLiant servers. The HP SUM provides a GUI and a command-line scriptable interface for deployment of systems software for single or one-to-many ProLiant servers and network-based targets, such as iLOs, OAs, and VC Ethernet and Fibre Channel modules.

For more information about HP SUM, see the product page on the [Hewlett Packard Enterprise website](#).

To download HP SUM, see the [Hewlett Packard Enterprise website](#).

To access the *HP Smart Update Manager User Guide*, see the [HP SUM Information Library](#).

UEFI System Utilities

The UEFI System Utilities is embedded in the system ROM. The UEFI System Utilities enable you to perform a wide range of configuration activities, including:

- Configuring system devices and installed options
- Enabling and disabling system features
- Displaying system information
- Selecting the primary boot controller
- Configuring memory options
- Selecting a language
- Launching other preboot environments such as the Embedded UEFI Shell and Intelligent Provisioning

For more information, see the UEFI System Utilities user guide for your product on the [Hewlett Packard Enterprise website](#).

To access mobile-ready online help for the UEFI System Utilities and UEFI Shell, scan the QR code at the bottom of the screen. For on-screen help, press the **F1** key.

Using UEFI System Utilities

To use the System Utilities, use the following keys.

Action	Key
Access System Utilities	F9 during server POST
Navigate menus	Up and Down arrows

Table Continued

Action	Key
Select items	Enter
Save selections	F10
Access Help for a highlighted configuration option ¹	F1

¹ Scan the QR code on the screen to access online help for the UEFI System Utilities and UEFI Shell.

Default configuration settings are applied to the server at one of the following times:

- Upon the first system power-up
- After defaults have been restored

Default configuration settings are sufficient for typical server operations; however, you can modify configuration settings as needed. The system prompts you for access to the UEFI System Utilities each time the system is powered up.

Flexible boot control

This feature enables you to do the following:

- Add Boot Options:
 - Browse all FAT16 and FAT32 file systems.
 - To add a new UEFI boot option, select an X64 UEFI application with an .EFI extension. For example, adding an OS boot loader or other UEFI application as a new UEFI boot option.

The new boot option is appended to the boot-order list. When you select a file, you are prompted to enter the boot option description. This description, and any optional data to be passed to an .EFI application, is then displayed in the boot menu.

- Boot to System Utilities

After pre-POST, the boot options screen appears. During this time, you can access the UEFI System Utilities by pressing the **F9** key.

- Choose between supported modes:
 - Legacy BIOS Boot Mode
 - UEFI Boot Mode



IMPORTANT:

If the default boot mode settings are different than the user-defined settings, the system might not boot the OS installation if the defaults are restored. To avoid this issue, use the User Defined Defaults feature in UEFI System Utilities to override the factory default settings.

For more information, see the UEFI System Utilities user guide for your product on the [Hewlett Packard Enterprise Information Library](#).

Restoring and customizing configuration settings

You can reset all configuration settings to the factory default settings, or you can restore and use the system default configuration settings.

You can also configure default settings as necessary, and then save the configuration as the custom default configuration. When the system loads the default settings, it uses the custom default settings instead of the factory defaults.

Secure Boot configuration

Secure Boot is integrated in the UEFI specification on which the Hewlett Packard Enterprise implementation of UEFI is based. Secure Boot is implemented in the BIOS and does not require special hardware. Secure Boot ensures that each component launched during the boot process is digitally signed. Secure Boot also ensures that the signature is validated against a set of trusted certificates embedded in the UEFI BIOS. Secure Boot validates the software identity of the following components in the boot process:

- UEFI drivers loaded from PCIe cards
- UEFI drivers loaded from mass storage devices
- Preboot UEFI shell applications
- OS UEFI boot loaders

When enabled, only firmware components and operating systems with boot loaders that have an appropriate digital signature can execute during the boot process. Only operating systems that support Secure Boot and have an EFI boot loader signed with one of the authorized keys can boot. For more information about supported operating systems, see the UEFI System Utilities and Shell release notes for your server on the [Hewlett Packard Enterprise website](#).

A physically present user can customize the certificates embedded in the UEFI BIOS by adding or removing their own certificates.

When Secure Boot is enabled, the System Maintenance Switch does not restore all manufacturing defaults when set to the ON position. For security reasons, the following are not restored to defaults when the System Maintenance Switch is in the ON position:

- Secure Boot is not disabled and remains enabled.
- The Boot Mode remains in UEFI Boot Mode even if the default boot mode is Legacy Boot Mode.
- The Secure Boot Database is not restored to its default state.
- iSCSI Software Initiator configuration settings are not restored to defaults.

Embedded UEFI shell

The system BIOS in all ProLiant Gen9 servers includes an Embedded UEFI Shell in the ROM. The UEFI Shell environment provides an API, a command-line prompt, and a set of CLIs that allow scripting, file manipulation, and system information. These features enhance the capabilities of the UEFI System Utilities.

For more information, see the following documents:

- *UEFI Shell User Guide for HPE ProLiant Gen9 Servers* on the [Hewlett Packard Enterprise website](#)
- *UEFI Shell Specification* on the [UEFI website](#)

Embedded Diagnostics option

The system BIOS in all ProLiant Gen9 servers includes an Embedded Diagnostics option in the ROM. The Embedded Diagnostics option can run comprehensive diagnostics of the server hardware, including processors, memory, drives, and other server components.

For more information on the Embedded Diagnostics option, see the UEFI System Utilities user guide for your server on the [Hewlett Packard Enterprise website](#).

iLO RESTful API support for UEFI

The ProLiant Gen9 servers include support for a UEFI-compliant System BIOS, along with UEFI System Utilities and Embedded UEFI Shell preboot environments. ProLiant Gen9 servers also support configuring the UEFI BIOS settings using the iLO RESTful API, a management interface that server management tools can use to perform configuration, inventory, and monitoring of a ProLiant server. The iLO RESTful API uses basic HTTPS operations (GET, PUT, POST, DELETE, and PATCH) to submit or return JSON-formatted data with iLO web server.

For more information about the iLO RESTful API and the RESTful Interface Tool, see the [Hewlett Packard Enterprise website](#).

Re-entering the server serial number and product ID

After you replace the system board, you must re-enter the server serial number and the product ID:

Procedure

1. During the server startup sequence, press the **F9** key to access UEFI System Utilities.
2. Select **System Configuration > BIOS/Platform Configuration (RBSU) > Advanced Options > Advanced System ROM Options > Serial Number**, and then press the **Enter** key.
3. Enter the serial number and press the **Enter** key.

The following message appears:

```
The serial number should only be modified by qualified service personnel. This value should always match the serial number located on the chassis.
```

4. To clear the warning, press the **Enter** key.
5. Enter the serial number and press the **Enter** key.
6. Select **Product ID**.

The following warning appears:

```
Warning: The Product ID should ONLY be modified by qualified service personnel. This value should always match the Product ID located on the chassis.
```

7. Enter the product ID and press the **Enter** key.
8. To confirm exiting System Utilities, press the **F10** key.

The server automatically reboots.

Utilities and features

HPE Smart Storage Administrator

The HPE SSA is a configuration and management tool for HPE Smart Array controllers. Starting with HPE ProLiant Gen8 servers, HPE SSA replaces ACU with an enhanced GUI and additional configuration features.

The HPE SSA exists in three interface formats: the HPE SSA GUI, the HPE SSA CLI, and HPE SSA Scripting. Although all formats provide support for configuration tasks, some of the advanced tasks are available in only one format.

Some HPE SSA features include the following:

- Supports online array capacity expansion, logical drive extension, assignment of online spares, and RAID or stripe size migration
- Provides diagnostic and SmartSSD Wear Gauge functionality on the Diagnostics tab
- For supported controllers, provides access to additional features.

For more information about HPE SSA, see the [Hewlett Packard Enterprise website](#).

Automatic Server Recovery

ASR is a feature that causes the system to restart when a catastrophic operating system error occurs, such as a blue screen, ABEND, or panic. A system fail-safe timer, the ASR timer, starts when the System Management driver, also known as the Health Driver, is loaded. When the operating system is functioning properly, the system periodically resets the timer. However, when the operating system fails, the timer expires and restarts the server.

ASR increases server availability by restarting the server within a specified time after a system hang. You can disable ASR from the System Management Homepage or through UEFI System Utilities.

USB support

Hewlett Packard Enterprise servers support both USB 2.0 ports and USB 3.0 ports. Both port types support installing all types of USB devices (USB 1.0, USB 2.0, and USB 3.0), but might run at lower speeds in specific situations:

- USB 3.0 capable devices operate at USB 2.0 speeds when installed in a USB 2.0 port.
- Hewlett Packard Enterprise provides legacy USB support in the pre-boot environment prior to the operating system loading for USB 1.0, USB 2.0, and USB 3.0 speeds in both the UEFI Boot Mode and the Legacy Boot Mode.

The pre-OS behavior and default operation of the USB ports is configurable in the UEFI System Utilities, so that the user can change the default operation of the USB ports. For more information, see the UEFI System Utilities user guide for your product on the [Hewlett Packard Enterprise website](#).

Redundant ROM support

The server enables you to upgrade or configure the ROM safely with redundant ROM support. The server has a single ROM that acts as two separate ROM images. In the standard implementation, one side of the ROM contains the current ROM program version, while the other side of the ROM contains a backup version.

NOTE: The server ships with the same version programmed on each side of the ROM.

Safety and security benefits

When you flash the system ROM, the flashing mechanism writes over the backup ROM and saves the current ROM as a backup, enabling you to switch easily to the alternate ROM version if the new ROM becomes corrupted for any reason. This feature protects the existing ROM version, even if you experience a power failure while flashing the ROM.

Keeping the system current

Access to Hewlett Packard Enterprise Support Materials

Access to some updates for ProLiant Servers may require product entitlement when accessed through the Hewlett Packard Enterprise Support Center support portal. Hewlett Packard Enterprise recommends that you have an HP Passport set up with relevant entitlements. For more information, see the [Hewlett Packard Enterprise website](#).

Updating firmware or System ROM

Multiple methods exist to update the firmware or System ROM:

- [Service Pack for ProLiant](#)
- [FWUPDATE utility](#)
- [FWUpdate command from within the Embedded UEFI Shell](#)
- [Firmware Update application in the UEFI System](#)
- [Online Flash components](#)

Product entitlement is required to perform updates.

Service Pack for ProLiant

The SPP is a comprehensive systems software (drivers and firmware) solution delivered as a single package with major server releases. This solution uses SUM as the deployment tool and is tested on all supported ProLiant servers including HPE ProLiant Gen8 and later servers.

SPP allows the following operating modes:

- Online mode – The installation occurs while the host processor is running in the normal server environment.
- Offline mode – Boots a small Linux kernel and enables updates to occur on a single server.

For more information or to download SPP, see one of the following pages on the Hewlett Packard Enterprise website:

- [Service Pack for ProLiant download page](#)
- [Smart Update: Server Firmware and Driver Updates page](#)

FWUPDATE utility

The FWUPDATE utility enables you to upgrade the system firmware (BIOS).

To use the utility to upgrade the firmware:

1. Download the FWUPDATE flash component from the [Hewlett Packard Enterprise Support Center website](#).
2. Save the FWUPDATE flash components to a USB key.
3. Set the boot order so that the USB key will boot first using one of the following options:
 - Configure the boot order so that the USB key is the first bootable device.
 - Press the **F11** key (Boot Menu) when prompted during system boot to access the **One-Time Boot Menu**. This menu allows you to select the boot device for a specific boot and does not modify the boot order configuration settings.
4. Insert the USB key into an available USB port.
5. Boot the system.

The FWUPDATE utility checks the system and provides a choice (if more than one exists) of available firmware revisions.

To download the flash components, see the [Hewlett Packard Enterprise Support Center website](#).

For more information about One-Time Boot Menu, see the UEFI System Utilities user guide for your product on the [Hewlett Packard Enterprise website](#).

FWUpdate command from within the Embedded UEFI Shell

For systems configured in either boot mode, update the firmware:

1. Access the System ROM Flash Binary component for your server from the [Hewlett Packard Enterprise Support Center website](#). When searching for the component, always select **OS Independent** to locate the binary file.
2. Copy the binary file to a USB media or iLO virtual media.
3. Attach the media to the server.
4. Boot to Embedded Shell.
5. To obtain the assigned file system volume for the USB key, enter the `Map -r` command.

For more information about accessing a file system from the shell, see the UEFI Shell user guide on the [Hewlett Packard Enterprise website](#).

6. Change to the file system that contains the System ROM Flash Binary component for your server. Enter one of the `fsx` file systems available, such as `fs0` or `fs1`, and press the **Enter** key.
7. Use the `cd` command to change from the current directory to the directory that contains the binary file.

8. Enter the `fwupdate -d BIOS -f <filename>` command to flash the system ROM.

For help on the FWUPDATE command, enter the following command:

```
help fwupdate -b
```

9. Reboot the server.

A reboot is required after the firmware update for the updates to take effect, and for hardware stability to be maintained.

For more information about the commands used in this procedure, see the UEFI Shell user guide on the [Hewlett Packard Enterprise website](#).

Firmware Update application in the UEFI System Utilities


For systems configured in either boot mode, update the firmware:

1. Access the System ROM Flash Binary component for your server from the [Hewlett Packard Enterprise Support Center website](#). When searching for the component, always select **OS Independent** to locate the binary file.
2. Copy the binary file to a USB media or iLO virtual media.
3. Attach the media to the server.
4. During POST, press **F9** to enter the System Utilities.
5. Select **Embedded Applications > Firmware Update > System ROM > Select Firmware File**.
6. Select the device containing the flash file.
7. Select the flash file. This step may take a few moments to complete.
8. Select **Start firmware update** and allow the process to complete.
9. Reboot the server. A reboot is required after the firmware update for the updates to take effect and for hardware stability to be maintained.

Online Flash components

This component provides updated system firmware that can be installed directly on supported operating systems. Additionally, when used in conjunction with SUM, this Smart Component allows the user to update firmware on remote servers from a central location. This remote deployment capability eliminates the need for the user to be physically present at the server to perform a firmware update.

Drivers

-
-  **IMPORTANT:**
Always perform a backup before installing or updating device drivers.
-

The server includes new hardware that may not have driver support on all OS installation media.

If you are installing an Intelligent Provisioning-supported OS, use **Intelligent Provisioning** and its Configure and Install feature to install the OS and latest supported drivers.

If you do not use Intelligent Provisioning to install an OS, drivers for some of the new hardware are required. These drivers, as well as other option drivers, ROM images, and value-add software can be downloaded as part of an SPP.

If you are installing drivers from SPP, be sure that you are using the latest SPP version that your server supports. To verify that your server is using the latest supported version and for more information about SPP, see the [Hewlett Packard Enterprise website](#).

To locate the drivers for a particular server, go to the [Hewlett Packard Enterprise Support Center website](#). Under **Select your HPE product**, enter the product name or number and click **Go**.

Software and firmware

Update software and firmware before using the server for the first time, unless any installed software or components require an older version.

For system software and firmware updates, use one of the following sources:

- Download the SPP from the [Hewlett Packard Enterprise website](#).
- Download individual drivers, firmware, or other systems software components from the server product page in the [Hewlett Packard Enterprise Support Center website](#).

Operating System Version Support

For information about specific versions of a supported operating system, refer to the [operating system support matrix](#).

Version control

The VCRM and VCA are web-enabled Insight Management Agents tools that SIM uses to schedule software update tasks to the entire enterprise.

- VCRM manages the repository for SPP. Administrators can do the following:
 - View the SPP contents
 - Configure VCRM to update the repository automatically with internet downloads of the latest software and firmware from Hewlett Packard Enterprise
- VCA compares installed software versions on the server with updates available in the VCRM managed repository. Administrators configure VCA to point to a repository managed by VCRM.

For more information about version control tools, see the following documents on the [Hewlett Packard Enterprise website](#):

- Systems Insight Manager User Guide
- Version Control Agent User Guide
- Version Control Repository Manager User Guide

To locate the documents, do the following:

1. Select **Insight Management** from the available options in Products and Solutions.
2. Select **Version Control** from the available options in Models / Subcategories.
3. Locate and download the latest document.

Operating systems and virtualization software support for ProLiant servers

For information about specific versions of a supported operating system, see the [Hewlett Packard Enterprise website](#).

HPE Pointnext Portfolio

HPE Pointnext deliver confidence, reduces risk and helps customers realize agility and stability. We help customers succeed through Hybrid IT by simplifying and enriching the on-premise experience, informed by public cloud qualities and attributes.

Operational Support Services enable you to choose the right service level, length of coverage, and response time to fit your business needs. For more information, see the Hewlett Packard Enterprise website:

<https://www.hpe.com/us/en/services/operational.html>

Utilize our Advisory and Transformation Services in the following areas:

- Private or hybrid cloud computing
- Big data and mobility requirements

- Improving data center infrastructure
- Better use of server, storage, and networking technology

For more information, see the Hewlett Packard Enterprise website:

<http://www.hpe.com/services/consulting>

Change control and proactive notification

Hewlett Packard Enterprise offers Change Control and Proactive Notification to notify customers 30 to 60 days in advance of the following:

- Upcoming hardware and software changes
- Bulletins
- Patches

Let us know what Hewlett Packard Enterprise commercial products you own and we will send you the latest updates to keep your business running smoothly.

For more information, see the Hewlett Packard Enterprise website:

<http://www.hpe.com/info/pcn>

Troubleshooting

Troubleshooting resources

The HPE ProLiant Gen9 Troubleshooting Guide, Volume I: Troubleshooting provides procedures for resolving common problems and comprehensive courses of action for fault isolation and identification, issue resolution, and software maintenance on ProLiant servers and server blades. To view the guide, select a language:

- [English](#)
- [French](#)
- [Spanish](#)
- [German](#)
- [Japanese](#)
- [Simplified Chinese](#)

The HPE ProLiant Gen9 Troubleshooting Guide, Volume II: Error Messages provides a list of error messages and information to assist with interpreting and resolving error messages on ProLiant servers and server blades. To view the guide, select a language:

- [English](#)
- [French](#)
- [Spanish](#)
- [German](#)
- [Japanese](#)
- [Simplified Chinese](#)

Replacing the system battery

If the server no longer automatically displays the correct date and time, then replace the battery that provides power to the real-time clock. Under normal use, battery life is 5 to 10 years.

⚠ WARNING:

The computer contains an internal lithium manganese dioxide, a vanadium pentoxide, or an alkaline battery pack. A risk of fire and burns exists if the battery pack is not properly handled. To reduce the risk of personal injury:

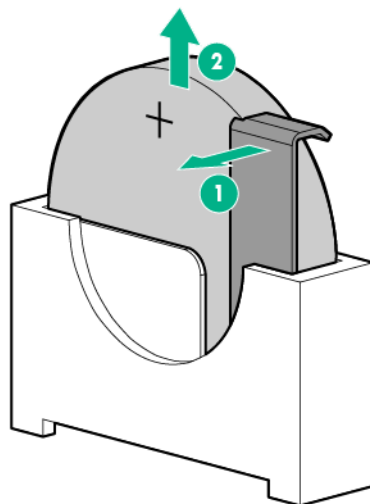
- Do not attempt to recharge the battery.
- Do not expose the battery to temperatures higher than 60°C (140°F).
- Do not disassemble, crush, puncture, short external contacts, or dispose of in fire or water.
- Replace only with the spare designated for this product.

❗ IMPORTANT:

Replacing the system board battery resets the system ROM to its default configuration. After replacing the battery, reconfigure the system through RBSU.

Procedure

1. If installed, **remove the security bezel.**
2. **Power down the server.**
3. Remove all power:
 - a. Disconnect each power cord from the power source.
 - b. Disconnect each power cord from the server.
4. Do one of the following:
 - **Extend the server from the rack.**
 - **Remove the server from the rack.**
5. **Remove the access panel.**
6. **Locate the battery on the system board.**
7. Remove the battery.



! **IMPORTANT:**

Replacing the system board battery resets the system ROM to its default configuration. After replacing the battery, reconfigure the system through RBSU.

To replace the component, reverse the removal procedure.

For more information about battery replacement or proper disposal, contact an authorized reseller or an authorized service provider.

Warranty and regulatory information

Warranty information

[HPE ProLiant and x86 Servers and Options](#)

[HPE Enterprise Servers](#)

[HPE Storage Products](#)

[HPE Networking Products](#)

Regulatory information

Safety and regulatory compliance

For important safety, environmental, and regulatory information, see *Safety and Compliance Information for Server, Storage, Power, Networking, and Rack Products*, available at the Hewlett Packard Enterprise website (<http://www.hpe.com/support/Safety-Compliance-EnterpriseProducts>).

Belarus Kazakhstan Russia marking



Manufacturer and Local Representative Information

Manufacturer information:

Hewlett Packard Enterprise Company, 3000 Hanover Street, Palo Alto, CA 94304 U.S.

Local representative information Russian:

- **Russia:**

ООО «Хьюлетт Паккард Энтерпрайз», Российская Федерация, 125171, г. Москва, Ленинградское шоссе, 16А, стр.3, Телефон/факс: +7 495 797 35 00

- **Belarus:**

ИООО «Хьюлетт-Паккард Бел», Республика Беларусь, 220030, г. Минск, ул. Интернациональная, 36-1, Телефон/факс: +375 17 392 28 18

- **Kazakhstan:**

ТОО «Хьюлетт-Паккард (К)», Республика Казахстан, 050040, г. Алматы, Бостандыкский район, проспект Аль-Фараби, 77/7, Телефон/факс: + 7 727 355 35 50

Local representative information Kazakh:

- **Russia:**

ЖШС "Хьюлетт Паккард Энтерпрайз" Ресей Федерациясы, 125171,
Мәскеу, Ленинград тас жолы, 16А блок 3, Телефон/факс: +7 495 797 35 00

- **Belarus:**

«HEWLETT-PACKARD Bel» ЖШС, Беларусь Республикасы, 220030, Минск қ.,
Интернациональная көшесі, 36/1, Телефон/факс: +375 17 392 28 18

- **Kazakhstan:**

ЖШС «Хьюлетт-Паккард (К)», Қазақстан Республикасы, 050040, Алматы қ.,
Бостандық ауданы, Әл-Фараби даңғылы, 77/7, Телефон/факс: +7 727 355 35 50

Manufacturing date:

The manufacturing date is defined by the serial number.

CCSYWWZZZZ (serial number format for this product)

Valid date formats include:

- YWW, where Y indicates the year counting from within each new decade, with 2000 as the starting point; for example, 238: 2 for 2002 and 38 for the week of September 9. In addition, 2010 is indicated by 0, 2011 by 1, 2012 by 2, 2013 by 3, and so forth.
- YYWW, where YY indicates the year, using a base year of 2000; for example, 0238: 02 for 2002 and 38 for the week of September 9.

Turkey RoHS material content declaration

Türkiye Cumhuriyeti: EEE Yönetmeliğine Uygun

Ukraine RoHS material content declaration

Обладнання відповідає вимогам Технічного регламенту щодо обмеження використання деяких небезпечних речовин в електричному та електронному обладнанні, затвердженого постановою Кабінету Міністрів України від 3 грудня 2008 № 1057

Specifications

Environmental specifications

Specification	Value
Temperature range*	
Operating	0° C to 40° C (32° F to 104° F)
Nonoperating	-30° C to 65° C (-22° F to 149° F)
Relative humidity (noncondensing)	
Operating, maximum wet bulb temperature of 28°C (82.4°F)	10% to 90%
Nonoperating, maximum wet bulb temperature of 38.7°C (101.7°F)	5% to 95%

* All temperature ratings shown are for sea level. An altitude derating of 1.0° per 304.8 m (1.8°F per 1000 ft) to 3048 m (10,000 ft) is applicable. No direct sunlight allowed.

Mechanical specifications

Specification	Value
Height	4.32 cm (1.70 in)
Depth	38.22 cm (15.05 in)
Width	43.46 cm (17.11 in)
Weight (full load, approximate values)	—
Maximum	8.7 kg (19.14 lb)
Minimum	6.9 kg (15.09 lb)

Power supply specifications

Depending on the installed options and/or the regional location where the server was purchased, the server is configured with one of the following power supplies:

- HPE DL20 Gen9 290W Non-hot Plug Power Supply
- HPE 900-W AC 240VDC Power Input Module (PN 775595-B21)

This is supported when the two-bay HPE 900-W AC 240VDC RPS Power Backplane option (PN 814835-B21) is installed.

These are Entry Level Power Supply products for ProLiant servers. For more information about the power supply features, specifications, and compatibility, see the [Hewlett Packard Enterprise website](#).

CAUTION:

Check the system and power supply input ratings before powering up the server.

Hot-plug power supply calculations

For hot-plug power supply specifications and calculators to determine electrical and heat loading for the server, see the [Hewlett Packard Enterprise Power Advisor website](#).

Support and other resources

Accessing Hewlett Packard Enterprise Support

- For live assistance, go to the **[Contact Hewlett Packard Enterprise Worldwide website](#)**.
- To access documentation and support services, go to the **[Hewlett Packard Enterprise Support Center website](#)**.

Information to collect

- Technical support registration number (if applicable)
- Product name, model or version, and serial number
- Operating system name and version
- Firmware version
- Error messages
- Product-specific reports and logs
- Add-on products or components
- Third-party products or components

Accessing updates

- Some software products provide a mechanism for accessing software updates through the product interface. Review your product documentation to identify the recommended software update method.
- To download product updates, go to either of the following:
 - **[Hewlett Packard Enterprise Support Center Get connected with updates page](#)**
 - **[Software Depot website](#)**
- To view and update your entitlements, and to link your contracts and warranties with your profile, go to the **[Hewlett Packard Enterprise Support Center More Information on Access to Support Materials page](#)**.

! **IMPORTANT:**

Access to some updates might require product entitlement when accessed through the Hewlett Packard Enterprise Support Center. You must have an HPE Passport set up with relevant entitlements.

Websites

- **[Hewlett Packard Enterprise Information Library](#)**
- **[Hewlett Packard Enterprise Support Center](#)**
- **[Contact Hewlett Packard Enterprise Worldwide](#)**
- **[Subscription Service/Support Alerts](#)**
- **[Software Depot](#)**
- **[Customer Self Repair](#)**
- **[Insight Remote Support](#)**
- **[Serviceguard Solutions for HP-UX](#)**
- **[Single Point of Connectivity Knowledge \(SPOCK\) Storage compatibility matrix](#)**
- **[Storage white papers and analyst reports](#)**

Customer Self Repair

Hewlett Packard Enterprise products are designed with many Customer Self Repair (CSR) parts to minimize repair time and allow for greater flexibility in performing defective parts replacement. If during the diagnosis period Hewlett Packard Enterprise (or Hewlett Packard Enterprise service providers or service partners) identifies that the repair can be accomplished by the use of a CSR part, Hewlett Packard Enterprise will ship that part directly to you for replacement. There are two categories of CSR parts:

- **Mandatory**—Parts for which customer self repair is mandatory. If you request Hewlett Packard Enterprise to replace these parts, you will be charged for the travel and labor costs of this service.
- **Optional**—Parts for which customer self repair is optional. These parts are also designed for customer self repair. If, however, you require that Hewlett Packard Enterprise replace them for you, there may or may not be additional charges, depending on the type of warranty service designated for your product.

NOTE: Some Hewlett Packard Enterprise parts are not designed for customer self repair. In order to satisfy the customer warranty, Hewlett Packard Enterprise requires that an authorized service provider replace the part. These parts are identified as "No" in the Illustrated Parts Catalog.

Based on availability and where geography permits, CSR parts will be shipped for next business day delivery. Same day or four-hour delivery may be offered at an additional charge where geography permits. If assistance is required, you can call the Hewlett Packard Enterprise Support Center and a technician will help you over the telephone. Hewlett Packard Enterprise specifies in the materials shipped with a replacement CSR part whether a defective part must be returned to Hewlett Packard Enterprise. In cases where it is required to return the defective part to Hewlett Packard Enterprise, you must ship the defective part back to Hewlett Packard Enterprise within a defined period of time, normally five (5) business days. The defective part must be returned with the associated documentation in the provided shipping material. Failure to return the defective part may result in Hewlett Packard Enterprise billing you for the replacement. With a customer self repair, Hewlett Packard Enterprise will pay all shipping and part return costs and determine the courier/carrier to be used.

For more information about the Hewlett Packard Enterprise CSR program, contact your local service provider. For the North American program, go to the [Hewlett Packard Enterprise CSR website](#).

Réparation par le client (CSR)

Les produits Hewlett Packard Enterprise comportent de nombreuses pièces CSR (Customer Self Repair = réparation par le client) afin de minimiser les délais de réparation et faciliter le remplacement des pièces défectueuses. Si pendant la période de diagnostic, Hewlett Packard Enterprise (ou ses partenaires ou mainteneurs agréés) détermine que la réparation peut être effectuée à l'aide d'une pièce CSR, Hewlett Packard Enterprise vous l'envoie directement. Il existe deux catégories de pièces CSR :

- **Obligatoire**—Pièces pour lesquelles la réparation par le client est obligatoire. Si vous demandez à Hewlett Packard Enterprise de remplacer ces pièces, les coûts de déplacement et main d'œuvre du service vous seront facturés.
- **Facultatif**—Pièces pour lesquelles la réparation par le client est facultative. Ces pièces sont également conçues pour permettre au client d'effectuer lui-même la réparation. Toutefois, si vous demandez à Hewlett Packard Enterprise de remplacer ces pièces, l'intervention peut ou non vous être facturée, selon le type de garantie applicable à votre produit.

REMARQUE: Certaines pièces Hewlett Packard Enterprise ne sont pas conçues pour permettre au client d'effectuer lui-même la réparation. Pour que la garantie puisse s'appliquer, Hewlett Packard Enterprise exige que le remplacement de la pièce soit effectué par un Mainteneur Agréé. Ces pièces sont identifiées par la mention "Non" dans le Catalogue illustré.

Les pièces CSR sont livrées le jour ouvré suivant, dans la limite des stocks disponibles et selon votre situation géographique. Si votre situation géographique le permet et que vous demandez une livraison le jour même ou dans les 4 heures, celle-ci vous sera facturée. Pour toute assistance, appelez le Centre d'assistance Hewlett Packard Enterprise pour qu'un technicien vous aide au téléphone. Dans les documents envoyés avec la pièce de rechange CSR, Hewlett Packard Enterprise précise s'il est nécessaire de lui

retourner la pièce défectueuse. Si c'est le cas, vous devez le faire dans le délai indiqué, généralement cinq (5) jours ouvrés. La pièce et sa documentation doivent être retournées dans l'emballage fourni. Si vous ne retournez pas la pièce défectueuse, Hewlett Packard Enterprise se réserve le droit de vous facturer les coûts de remplacement. Dans le cas d'une pièce CSR, Hewlett Packard Enterprise supporte l'ensemble des frais d'expédition et de retour, et détermine la société de courses ou le transporteur à utiliser.

Pour plus d'informations sur le programme CSR de Hewlett Packard Enterprise, contactez votre Mainteneur Agréé local. Pour plus d'informations sur ce programme en Amérique du Nord, consultez le site [Web Hewlett Packard Enterprise](#).

Riparazione da parte del cliente

Per abbreviare i tempi di riparazione e garantire una maggiore flessibilità nella sostituzione di parti difettose, i prodotti Hewlett Packard Enterprise sono realizzati con numerosi componenti che possono essere riparati direttamente dal cliente (CSR, Customer Self Repair). Se in fase di diagnostica Hewlett Packard Enterprise (o un centro di servizi o di assistenza Hewlett Packard Enterprise) identifica il guasto come riparabile mediante un ricambio CSR, Hewlett Packard Enterprise lo spedisce direttamente al cliente per la sostituzione. Vi sono due categorie di parti CSR:

- **Obbligatorie**—Parti che devono essere necessariamente riparate dal cliente. Se il cliente ne affida la riparazione ad Hewlett Packard Enterprise, deve sostenere le spese di spedizione e di manodopera per il servizio.
- **Opzionali**—Parti la cui riparazione da parte del cliente è facoltativa. Si tratta comunque di componenti progettati per questo scopo. Se tuttavia il cliente ne richiede la sostituzione ad Hewlett Packard Enterprise, potrebbe dover sostenere spese addizionali a seconda del tipo di garanzia previsto per il prodotto.

NOTA: alcuni componenti Hewlett Packard Enterprise non sono progettati per la riparazione da parte del cliente. Per rispettare la garanzia, Hewlett Packard Enterprise richiede che queste parti siano sostituite da un centro di assistenza autorizzato. Tali parti sono identificate da un "No" nel Catalogo illustrato dei componenti.

In base alla disponibilità e alla località geografica, le parti CSR vengono spedite con consegna entro il giorno lavorativo seguente. La consegna nel giorno stesso o entro quattro ore è offerta con un supplemento di costo solo in alcune zone. In caso di necessità si può richiedere l'assistenza telefonica di un addetto del centro di supporto tecnico Hewlett Packard Enterprise. Nel materiale fornito con una parte di ricambio CSR, Hewlett Packard Enterprise specifica se il cliente deve restituire dei componenti. Qualora sia richiesta la resa ad Hewlett Packard Enterprise del componente difettoso, lo si deve spedire ad Hewlett Packard Enterprise entro un determinato periodo di tempo, generalmente cinque (5) giorni lavorativi. Il componente difettoso deve essere restituito con la documentazione associata nell'imballo di spedizione fornito. La mancata restituzione del componente può comportare la fatturazione del ricambio da parte di Hewlett Packard Enterprise. Nel caso di riparazione da parte del cliente, Hewlett Packard Enterprise sostiene tutte le spese di spedizione e resa e sceglie il corriere/vettore da utilizzare.

Per ulteriori informazioni sul programma CSR di Hewlett Packard Enterprise, contattare il centro di assistenza di zona. Per il programma in Nord America fare riferimento al [sito Web](#).

Customer Self Repair

Hewlett Packard Enterprise Produkte enthalten viele CSR-Teile (Customer Self Repair), um Reparaturzeiten zu minimieren und höhere Flexibilität beim Austausch defekter Bauteile zu ermöglichen. Wenn Hewlett Packard Enterprise (oder ein Hewlett Packard Enterprise Servicepartner) bei der Diagnose feststellt, dass das Produkt mithilfe eines CSR-Teils repariert werden kann, sendet Ihnen Hewlett Packard Enterprise dieses Bauteil zum Austausch direkt zu. CSR-Teile werden in zwei Kategorien unterteilt:

- **Zwingend**—Teile, für die das Customer Self Repair-Verfahren zwingend vorgegeben ist. Wenn Sie den Austausch dieser Teile von Hewlett Packard Enterprise vornehmen lassen, werden Ihnen die Anfahrt- und Arbeitskosten für diesen Service berechnet.
- **Optional**—Teile, für die das Customer Self Repair-Verfahren optional ist. Diese Teile sind auch für Customer Self Repair ausgelegt. Wenn Sie jedoch den Austausch dieser Teile von Hewlett Packard Enterprise vornehmen lassen möchten, können bei diesem Service je nach den für Ihr Produkt vorgesehenen Garantiebedingungen zusätzliche Kosten anfallen.

HINWEIS: Einige Hewlett Packard Enterprise Teile sind nicht für Customer Self Repair ausgelegt. Um den Garantieanspruch des Kunden zu erfüllen, muss das Teil von einem Hewlett Packard Enterprise Servicepartner ersetzt werden. Im illustrierten Teilekatalog sind diese Teile mit „No“ bzw. „Nein“ gekennzeichnet.

CSR-Teile werden abhängig von der Verfügbarkeit und vom Lieferziel am folgenden Geschäftstag geliefert. Für bestimmte Standorte ist eine Lieferung am selben Tag oder innerhalb von vier Stunden gegen einen Aufpreis verfügbar. Wenn Sie Hilfe benötigen, können Sie das Hewlett Packard Enterprise Support Center anrufen und sich von einem Mitarbeiter per Telefon helfen lassen. Den Materialien von Hewlett Packard Enterprise, die mit einem CSR-Ersatzteil geliefert werden, können Sie entnehmen, ob das defekte Teil an Hewlett Packard Enterprise zurückgeschickt werden muss. Wenn es erforderlich ist, das defekte Teil an Hewlett Packard Enterprise zurückzuschicken, müssen Sie dies innerhalb eines vorgegebenen Zeitraums tun, in der Regel innerhalb von fünf (5) Geschäftstagen. Das defekte Teil muss mit der zugehörigen Dokumentation in der Verpackung zurückgeschickt werden, die im Lieferumfang enthalten ist. Wenn Sie das defekte Teil nicht zurückschicken, kann Hewlett Packard Enterprise Ihnen das Ersatzteil in Rechnung stellen. Im Falle von Customer Self Repair kommt Hewlett Packard Enterprise für alle Kosten für die Lieferung und Rücksendung auf und bestimmt den Kurier-/Frachtdienst.

Weitere Informationen über das Hewlett Packard Enterprise Customer Self Repair Programm erhalten Sie von Ihrem Servicepartner vor Ort. Informationen über das CSR-Programm in Nordamerika finden Sie auf der **Hewlett Packard Enterprise Website unter**.

Reparaciones del propio cliente

Los productos de Hewlett Packard Enterprise incluyen muchos componentes que el propio usuario puede reemplazar (Customer Self Repair, CSR) para minimizar el tiempo de reparación y ofrecer una mayor flexibilidad a la hora de realizar sustituciones de componentes defectuosos. Si, durante la fase de diagnóstico, Hewlett Packard Enterprise (o los proveedores o socios de servicio de Hewlett Packard Enterprise) identifica que una reparación puede llevarse a cabo mediante el uso de un componente CSR, Hewlett Packard Enterprise le enviará dicho componente directamente para que realice su sustitución. Los componentes CSR se clasifican en dos categorías:

- **Obligatorio**—componentes cuya reparación por parte del usuario es obligatoria. Si solicita a Hewlett Packard Enterprise que realice la sustitución de estos componentes, tendrá que hacerse cargo de los gastos de desplazamiento y de mano de obra de dicho servicio.
- **Opcional**—componentes cuya reparación por parte del usuario es opcional. Estos componentes también están diseñados para que puedan ser reparados por el usuario. Sin embargo, si precisa que Hewlett Packard Enterprise realice su sustitución, puede o no conllevar costes adicionales, dependiendo del tipo de servicio de garantía correspondiente al producto.

NOTA: Algunos componentes de Hewlett Packard Enterprise no están diseñados para que puedan ser reparados por el usuario. Para que el usuario haga valer su garantía, Hewlett Packard Enterprise pone como condición que un proveedor de servicios autorizado realice la sustitución de estos componentes. Dichos componentes se identifican con la palabra "No" en el catálogo ilustrado de componentes.

Según la disponibilidad y la situación geográfica, los componentes CSR se enviarán para que lleguen a su destino al siguiente día laborable. Si la situación geográfica lo permite, se puede solicitar la entrega en el mismo día o en cuatro horas con un coste adicional. Si precisa asistencia técnica, puede llamar al Centro de asistencia técnica de Hewlett Packard Enterprise y recibirá ayuda telefónica por parte de un técnico. Con el envío de materiales para la sustitución de componentes CSR, Hewlett Packard Enterprise especificará si los componentes defectuosos deberán devolverse a Hewlett Packard Enterprise. En aquellos casos en los que sea necesario devolver algún componente a Hewlett Packard Enterprise, deberá hacerlo en el periodo de tiempo especificado, normalmente cinco días laborables. Los componentes defectuosos deberán devolverse con toda la documentación relacionada y con el embalaje de envío. Si no enviara el componente defectuoso requerido, Hewlett Packard Enterprise podrá cobrarle por el de sustitución. En el caso de todas sustituciones que lleve a cabo el cliente, Hewlett Packard Enterprise se hará cargo de todos los gastos de envío y devolución de componentes y escogerá la empresa de transporte que se utilice para dicho servicio.

Para obtener más información acerca del programa de Reparaciones del propio cliente de Hewlett Packard Enterprise, póngase en contacto con su proveedor de servicios local. Si está interesado en el programa para Norteamérica, visite [la página web de Hewlett Packard Enterprise CSR](#).

Customer Self Repair

Veel onderdelen in Hewlett Packard Enterprise producten zijn door de klant zelf te repareren, waardoor de reparatieduur tot een minimum beperkt kan blijven en de flexibiliteit in het vervangen van defecte onderdelen groter is. Deze onderdelen worden CSR-onderdelen (Customer Self Repair) genoemd. Als Hewlett Packard Enterprise (of een Hewlett Packard Enterprise Service Partner) bij de diagnose vaststelt dat de reparatie kan worden uitgevoerd met een CSR-onderdeel, verzendt Hewlett Packard Enterprise dat onderdeel rechtstreeks naar u, zodat u het defecte onderdeel daarmee kunt vervangen. Er zijn twee categorieën CSR-onderdelen:

- **Verplicht**—Onderdelen waarvoor reparatie door de klant verplicht is. Als u Hewlett Packard Enterprise verzoekt deze onderdelen voor u te vervangen, worden u voor deze service reiskosten en arbeidsloon in rekening gebracht.
- **Optioneel**—Onderdelen waarvoor reparatie door de klant optioneel is. Ook deze onderdelen zijn ontworpen voor reparatie door de klant. Als u echter Hewlett Packard Enterprise verzoekt deze onderdelen voor u te vervangen, kunnen daarvoor extra kosten in rekening worden gebracht, afhankelijk van het type garantieservice voor het product.

OPMERKING: Sommige Hewlett Packard Enterprise onderdelen zijn niet ontwikkeld voor reparatie door de klant. In verband met de garantievooraarden moet het onderdeel door een geautoriseerde Service Partner worden vervangen. Deze onderdelen worden in de geïllustreerde onderdelencatalogus aangemerkt met "Nee".

Afhankelijk van de leverbaarheid en de locatie worden CSR-onderdelen verzonden voor levering op de eerstvolgende werkdag. Levering op dezelfde dag of binnen vier uur kan tegen meerkosten worden aangeboden, indien dit mogelijk is gezien de locatie. Indien assistentie is gewenst, belt u het Hewlett Packard Enterprise Support Center om via de telefoon ondersteuning van een technicus te ontvangen. Hewlett Packard Enterprise vermeldt in de documentatie bij het vervangende CSR-onderdeel of het defecte onderdeel aan Hewlett Packard Enterprise moet worden geretourneerd. Als het defecte onderdeel aan Hewlett Packard Enterprise moet worden teruggezonden, moet u het defecte onderdeel binnen een bepaalde periode, gewoonlijk vijf (5) werkdagen, retourneren aan Hewlett Packard Enterprise. Het defecte onderdeel moet met de bijbehorende documentatie worden geretourneerd in het meegeleverde verpakkingsmateriaal. Als u het defecte onderdeel niet terugzendt, kan Hewlett Packard Enterprise u voor het vervangende onderdeel kosten in rekening brengen. Bij reparatie door de klant betaalt Hewlett Packard Enterprise alle verzendkosten voor het vervangende en geretourneerde onderdeel en kiest Hewlett Packard Enterprise zelf welke koerier/transportonderneming hiervoor wordt gebruikt.

Neem contact op met een Service Partner voor meer informatie over het Customer Self Repair programma van Hewlett Packard Enterprise. Informatie over Service Partners vindt u op de [Hewlett Packard Enterprise website](#).

Reparo feito pelo cliente

Os produtos da Hewlett Packard Enterprise são projetados com muitas peças para reparo feito pelo cliente (CSR) de modo a minimizar o tempo de reparo e permitir maior flexibilidade na substituição de peças com defeito. Se, durante o período de diagnóstico, a Hewlett Packard Enterprise (ou fornecedores/parceiros da Hewlett Packard Enterprise) concluir que o reparo pode ser efetuado pelo uso de uma peça CSR, a Hewlett Packard Enterprise enviará a peça diretamente ao cliente. Há duas categorias de peças CSR:

- **Obrigatória**—Peças cujo reparo feito pelo cliente é obrigatório. Se desejar que a Hewlett Packard Enterprise substitua essas peças, serão cobradas as despesas de transporte e mão-de-obra do serviço.
- **Opcional**—Peças cujo reparo feito pelo cliente é opcional. Essas peças também são projetadas para o reparo feito pelo cliente. No entanto, se desejar que a Hewlett Packard Enterprise as substitua, pode haver ou não a cobrança de taxa adicional, dependendo do tipo de serviço de garantia destinado ao produto.

OBSERVAÇÃO: Algumas peças da Hewlett Packard Enterprise não são projetadas para o reparo feito pelo cliente. A fim de cumprir a garantia do cliente, a Hewlett Packard Enterprise exige que um técnico autorizado substitua a peça. Essas peças estão identificadas com a marca "No" (Não), no catálogo de peças ilustrado.

Conforme a disponibilidade e o local geográfico, as peças CSR serão enviadas no primeiro dia útil após o pedido. Onde as condições geográficas permitirem, a entrega no mesmo dia ou em quatro horas pode ser feita mediante uma taxa adicional. Se precisar de auxílio, entre em contato com o Centro de suporte técnico da Hewlett Packard Enterprise para que um técnico o ajude por telefone. A Hewlett Packard Enterprise especifica nos materiais fornecidos com a peça CSR de reposição se a peça com defeito deve ser devolvida à Hewlett Packard Enterprise. Nos casos em que isso for necessário, é preciso enviar a peça com defeito à Hewlett Packard Enterprise, você deverá enviar a peça com defeito de volta para a Hewlett Packard Enterprise dentro do período de tempo definido, normalmente em 5 (cinco) dias úteis. A peça com defeito deve ser enviada com a documentação correspondente no material de transporte fornecido. Caso não o faça, a Hewlett Packard Enterprise poderá cobrar a reposição. Para as peças de reparo feito pelo cliente, a Hewlett Packard Enterprise paga todas as despesas de transporte e de devolução da peça e determina a transportadora/serviço postal a ser utilizado.

Para obter mais informações sobre o programa de reparo feito pelo cliente da Hewlett Packard Enterprise, entre em contato com o fornecedor de serviços local. Para o programa norte-americano, [visite o site da Hewlett Packard Enterprise](#).

カスタマーセルフリペア

修理時間を短縮し、故障部品の交換における高い柔軟性を確保するために、Hewlett Packard Enterprise製品には多数のカスタマーセルフリペア（CSR）部品があります。診断の際に、CSR部品を使用すれば修理ができるとHewlett Packard Enterprise（Hewlett Packard EnterpriseまたはHewlett Packard Enterprise正規保守代理店）が判断した場合、Hewlett Packard Enterpriseはその部品を直接、お客様に発送し、お客様に交換していただきます。CSR部品には以下の2種類があります。

- **必須** - カスタマーセルフリペアが必須の部品。当該部品について、もしもお客様がHewlett Packard Enterpriseに交換作業を依頼される場合には、その修理サービスに関する交通費および人件費がお客様に請求されます。
- **任意** - カスタマーセルフリペアが任意である部品。この部品もカスタマーセルフリペア用です。当該部品について、もしもお客様がHewlett Packard Enterpriseに交換作業を依頼される場合には、お買い上げの製品に適用される保証サービス内容の範囲内においては、別途費用を負担していただくことなく保証サービスを受けることができます。

注： Hewlett Packard Enterprise製品の一部の部品は、カスタマーセルフリペアの対象外です。製品の保証を継続するためには、Hewlett Packard EnterpriseまたはHewlett Packard Enterprise正規保守代理店による交換作業が必須となります。部品カタログには、当該部品がカスタマーセルフリペア除外品である旨が記載されています。

部品供給が可能な場合、地域によっては、CSR部品を翌営業日に届くように発送します。また、地域によっては、追加費用を負担いただくことにより同日または4時間以内に届くように発送することも可能な場合があります。サポートが必要なときは、Hewlett Packard Enterpriseの修理受付窓口にご連絡いただければ、技術者が電話でアドバイスします。交換用のCSR部品または同梱物には、故障部品をHewlett Packard Enterpriseに返送する必要があるかどうかが表示されています。故障部品をHewlett Packard Enterpriseに返送する必要がある場合は、指定期限内（通常は5営業日以内）に故障部品をHewlett Packard Enterpriseに返送してください。故障部品を返送する場合は、届いた時の梱包箱に関連書類とともに入れてください。故障部品を返送しない場合、Hewlett Packard Enterpriseから部品費用が請求されます。カスタマーセルフリペアの際には、Hewlett Packard Enterpriseは送料および部品返送費を全額負担し、使用する宅配便会社や運送会社を指定します。

客户自行维修

Hewlett Packard Enterprise 产品提供许多客户自行维修 (CSR) 部件, 以尽可能缩短维修时间和在更换缺陷部件方面提供更大的灵活性。如果在诊断期间 Hewlett Packard Enterprise (或 Hewlett Packard Enterprise 服务提供商或服务合作伙伴) 确定可以通过使用 CSR 部件完成维修, Hewlett Packard Enterprise 将直接把该部件发送给您进行更换。有两类 CSR 部件:

- **强制性的** — 要求客户必须自行维修的部件。如果您请求 Hewlett Packard Enterprise 更换这些部件, 则必须为该服务支付差旅费和人工费用。
- **可选的** — 客户可以选择是否自行维修的部件。这些部件也是为客户自行维修设计的。不过, 如果您要求 Hewlett Packard Enterprise 为您更换这些部件, 则根据为您的产品指定的保修服务类型, Hewlett Packard Enterprise 可能收取或不再收取任何附加费用。

注: 某些 Hewlett Packard Enterprise 部件的设计并未考虑客户自行维修。为了满足客户保修的需要, Hewlett Packard Enterprise 要求授权服务提供商更换相关部件。这些部件在部件图解目录中标记为“否”。

CSR 部件将在下一个工作日发运 (取决于备货情况和允许的地理范围)。在允许的地理范围内, 可在当天或四小时内发运, 但要收取额外费用。如果需要帮助, 您可以致电 Hewlett Packard Enterprise 技术支持中心, 将会有技术人员通过电话为您提供帮助。Hewlett Packard Enterprise 会在随更换的 CSR 部件发运的材料中指明是否必须将有缺陷的部件返还给 Hewlett Packard Enterprise。如果要求您将缺陷的部件返还给 Hewlett Packard Enterprise, 那么您必须在规定的期限内 (通常是五 (5) 个工作日) 将缺陷部件发给 Hewlett Packard Enterprise。有缺陷的部件必须随所提供的发运材料中的相关文件一起返还。如果未能送还缺陷的部件, Hewlett Packard Enterprise 可能会要求您支付更换费用。客户自行维修时, Hewlett Packard Enterprise 将承担所有相关运输和部件返回费用, 并指定快递商/承运商。

有关 Hewlett Packard Enterprise 客户自行维修计划的详细信息, 请与您当地的服务提供商联系。有关北美地区的计划, 请访问 Hewlett Packard Enterprise 网站 (<http://www.hpe.com/support/selfrepair>)。

客戶自行維修

Hewlett Packard Enterprise 產品設計了許多「客戶自行維修」(CSR) 的零件以減少維修時間, 並且使得更換瑕疵零件時能有更大的彈性。如果在診斷期間, Hewlett Packard Enterprise (或 Hewlett Packard Enterprise 服務供應商或維修夥伴) 辨認出此項維修工作可以藉由使用 CSR 零件來完成, 則 Hewlett Packard Enterprise 將直接寄送該零件給您作更換。CSR 零件分為兩種類別:

- **強制的** — 客戶自行維修所使用的零件是強制性的。如果您要求 Hewlett Packard Enterprise 更換這些零件, Hewlett Packard Enterprise 將會向您收取此服務所需的外出費用與勞動成本。
- **選購的** — 客戶自行維修所使用的零件是選購的。這些零件也設計用於客戶自行維修之用。不過, 如果您要求 Hewlett Packard Enterprise 為您更換, 則可能需要也可能不需要負擔額外的費用, 端視針對此產品指定的保固服務類型而定。

備註: 某些 Hewlett Packard Enterprise 零件沒有消費者可自行維修的設計。為符合客戶保固, Hewlett Packard Enterprise 需要授權的服務供應商更換零件。這些零件在圖示的零件目錄中, 被標示為「否」。

基於材料取得及環境允許的情況下, CSR 零件將於下一個工作日以快遞寄送。在環境的允許下當天或四小時內送達, 則可能需要額外的費用。若您需要協助, 可致電 Hewlett Packard Enterprise 支援中心, 會有一位技術人員透過電話來協助您。不論損壞的零件是否必須退回, Hewlett Packard Enterprise 皆會在與 CSR 替換零件一起運送的材料中註明。若要將損壞的零件退回 Hewlett Packard Enterprise, 您必須在指定的一段時間內 (通常為五 (5) 個工作天), 將損壞的零件寄回 Hewlett Packard Enterprise。損壞的零件必須與寄送資料中隨附的相關技術文件一併退還。如果無法退還損壞的零件, Hewlett Packard Enterprise 可能要向您收取替換費用。針對客戶自行維修情形, Hewlett Packard Enterprise 將負責所有運費及零件退還費用, 並指定使用何家快遞/貨運公司。

如需 Hewlett Packard Enterprise 的 CSR 方案詳細資訊, 請連絡您當地的服務供應商。至於北美方案, 請參閱 Hewlett Packard Enterprise 的 CSR 網站 [selfrepair](http://www.hpe.com/support/selfrepair) (<http://www.hpe.com/support/selfrepair>)。

고객 셀프 수리

Hewlett Packard Enterprise 제품은 수리 시간을 최소화하고 결함이 있는 부품 교체 시 더욱 용통성을 발휘할 수 있도록 하기 위해 고객 셀프 수리(CSR) 부품을 다량 사용하여 설계되었습니다. 진단 기간 동안 Hewlett Packard Enterprise(또는 Hewlett Packard Enterprise 서비스 공급업체 또는 서비스 협력업체)에서 CSR 부품을 사용하여 수리가 가능하다고 판단되면 Hewlett Packard Enterprise는 해당 부품을 바로 사용자에게 보내어 사용자가 교체할 수 있도록 합니다. CSR 부품에는 두 가지 종류가 있습니다.

- **필수** - 고객 셀프 수리가 의무 사항인 필수 부품. 사용자가 Hewlett Packard Enterprise에 이 부품의 교체를 요청할 경우 이 서비스에 대한 출장비 및 작업비가 청구됩니다.
- **선택 사항** - 고객 셀프 수리가 선택 사항인 부품. 이 부품들도 고객 셀프 수리가 가능하도록 설계되었습니다. 하지만 사용자가 Hewlett Packard Enterprise에 이 부품의 교체를 요청할 경우 사용자가 구입한 제품에 해당하는 보증 서비스 유형에 따라 추가 비용 없이 교체가 가능할 수 있습니다.

참고: 일부 Hewlett Packard Enterprise 부품은 고객 셀프 수리가 불가능하도록 설계되었습니다. Hewlett Packard Enterprise는 만족스러운 고객 보증을 위해 공인 서비스 제공업체를 통해 부품을 교체하도록 하고 있습니다. 이러한 부품들은 Illustrated Parts Catalog에 "No"라고 표시되어 있습니다.

CSR 부품은 재고 상태와 지리적 조건이 허용하는 경우 다음 영업일 납품이 가능하도록 배송이 이루어집니다. 지리적 조건이 허용하는 경우 추가 비용이 청구되는 조건으로 당일 또는 4시간 배송이 가능할 수도 있습니다. 도움이 필요하시면 Hewlett Packard Enterprise Support Center로 전화하십시오. 전문 기술자가 전화로 도움을 줄 것입니다. Hewlett Packard Enterprise는 결함이 발생한 부품을 Hewlett Packard Enterprise로 반환해야 하는지 여부를 CSR 교체 부품과 함께 배송된 자료에 지정합니다. 결함이 발생한 부품을 Hewlett Packard Enterprise로 반환해야 하는 경우에는 지정된 기간 내(통상 영업일 기준 5일)에 Hewlett Packard Enterprise로 반환해야 합니다. 이때 결함이 발생한 부품은 제공된 포장 재료에 넣어 관련 설명서와 함께 반환해야 합니다. 결함이 발생한 부품을 반환하지 않는 경우 Hewlett Packard Enterprise가 교체 부품에 대해 비용을 청구할 수 있습니다. 고객 셀프 수리의 경우, Hewlett Packard Enterprise는 모든 운송 및 부품 반환 비용을 부담하며 이용할 운송업체 및 택배 서비스를 결정합니다.

Hewlett Packard Enterprise CSR 프로그램에 대한 자세한 내용은 가까운 서비스 제공업체에 문의하십시오. 북미 지역의 프로그램에 대해서는 Hewlett Packard Enterprise CSR 웹 사이트(<http://www.hpe.com/support/selfrepair>)를 참조하십시오.

Remote support

Remote support is available with supported devices as part of your warranty or contractual support agreement. It provides intelligent event diagnosis, and automatic, secure submission of hardware event notifications to Hewlett Packard Enterprise, which will initiate a fast and accurate resolution based on your product's service level. Hewlett Packard Enterprise strongly recommends that you register your device for remote support.

If your product includes additional remote support details, use search to locate that information.

Remote support and Proactive Care information

HPE Get Connected

HPE Proactive Care services

HPE Proactive Care service: Supported products list

HPE Proactive Care advanced service: Supported products list

Proactive Care customer information

Proactive Care central

Proactive Care service activation

Documentation feedback

Hewlett Packard Enterprise is committed to providing documentation that meets your needs. To help us improve the documentation, send any errors, suggestions, or comments to **Documentation Feedback**. When submitting your feedback, include the document title, part number, edition, and publication date located on the front cover of the document. For online help content, include the product name, product version, help edition, and publication date located on the legal notices page.

Acronyms and abbreviations

ABEND

abnormal end

ACU

Array Configuration Utility

AMP

Advanced Memory Protection

API

application program interface

ASHRAE

American Society of Heating, Refrigerating and Air-Conditioning Engineers

ASR

Automatic Server Recovery

CAS

column address strobe

CSA

Canadian Standards Association

CSR

Customer Self Repair

FSBBU

Flex slot battery backup

GPU

graphics processing unit

HBA

host bus adapter

HP SUM

HP Software Update Manager

HPE SSA

HPE Smart Storage Administrator

IEC

International Electrotechnical Commission

iLO

Integrated Lights-Out

IML

Integrated Management Log

ISO

International Organization for Standardization

JSON

JavaScript Object Notation

LFF

large form factor

LRDIMM

load reduced dual in-line memory module

NAND

Not AND

NMI

nonmaskable interrupt

NVRAM

nonvolatile memory

PCIe

Peripheral Component Interconnect Express

PDU

power distribution unit

POST

Power-On Self-Test

RBSU

ROM-Based Setup Utility

RDIMM

registered dual in-line memory module

REST

representational state transfer

RoHS

Restriction of Hazardous Substances

RSOC

relative state of charge

SAS

serial attached SCSI

SATA

serial ATA

SD

Secure Digital

SFF

small form factor

SID

Systems Insight Display
SIM
Systems Insight Manager
SPP
Service Pack for ProLiant
TMRA
recommended ambient operating temperature
TPM
Trusted Platform Module
UDIMM
unregistered dual in-line memory module
UEFI
Unified Extensible Firmware Interface
UID
unit identification
USB
universal serial bus
VC
Virtual Connect
VCA
Version Control Agent
VCRM
Version Control Repository Manager
VDC
voltage direct-current