

PURPOSE

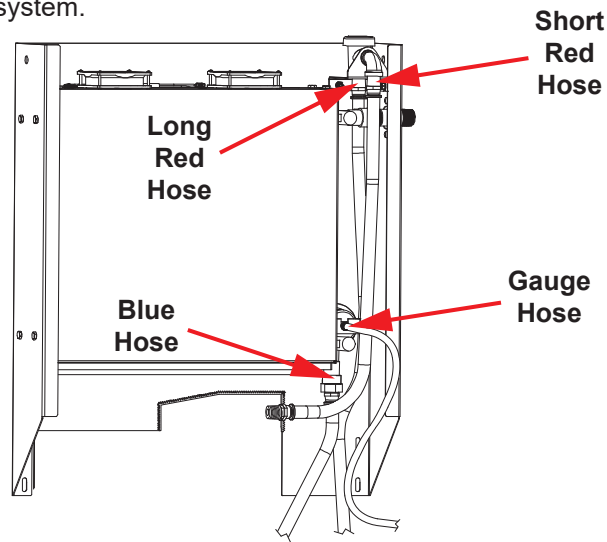
The Ventless and Energy Recovery (VER) system is shipped in separate packaging and must be installed before proceeding with machine installation.

TOOLS REQUIRED

- 7/16 Wrench
- 9/16 Wrench
- Adjustable Wrench
- Thread Tape

PREPARATION

1. Remove machine and VER system from packaging.
2. Ensure hoses are connected to VER system.

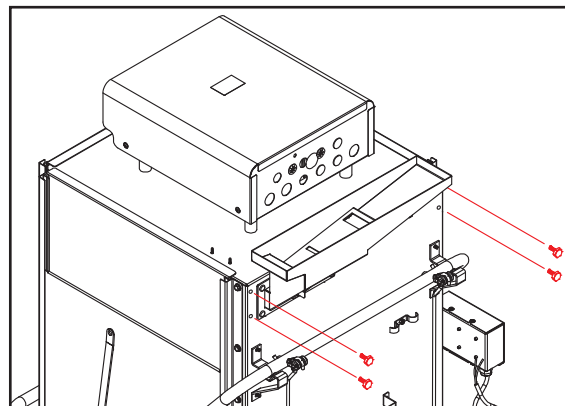


PROCEDURE

1. Remove and keep four 1/4-20 bolts using 7/16 wrench. These are located at top-left and top-right on back of machine.

7/16 wrench used in this step.

Keep hardware!

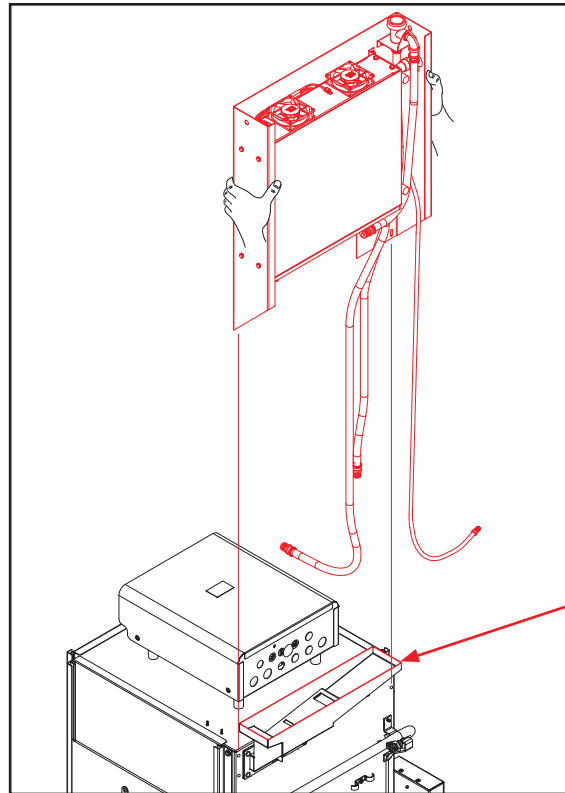


PROCEDURE

2. Lift VER system up and over lower air inlet, then align and slide into lower air inlet. VER system slides inside lower air inlet at the seam.

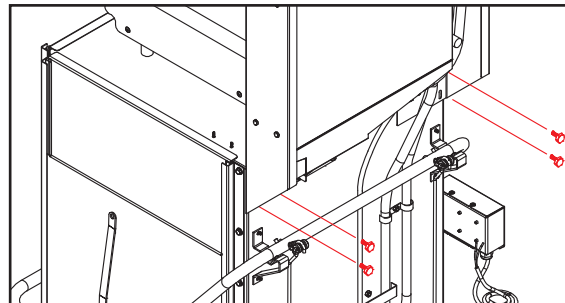


WARNING! Use proper lifting techniques or use a lifting aid.



Lower Air Inlet Seam

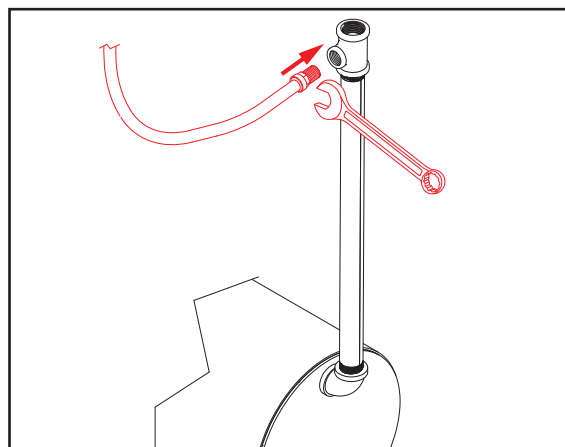
3. Re-install four 1/4-20 bolts removed in Step 1 with 7/16 wrench.



7/16 wrench used in this step.

Hardware kept used in this step.

4. Use 9/16 wrench to connect gauge hose to side of tee on plumbing from booster.



9/16 wrench used in this step.

Apply thread tape to threads of hose before connecting.

Hose is cut-to-length and will only reach intended connection point.

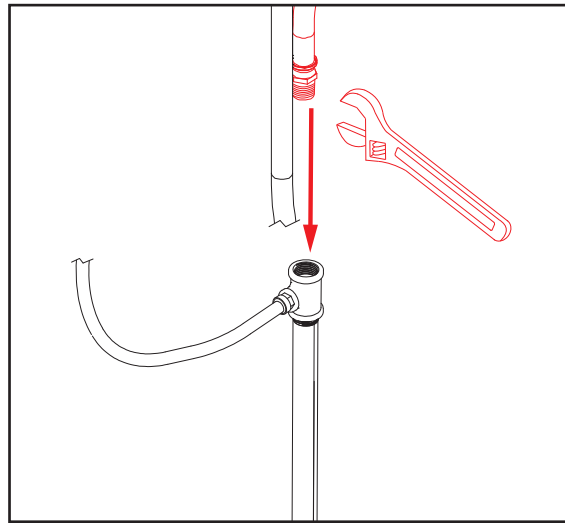
PROCEDURE

5. Use adjustable wrench to connect long red hose to top of tee on plumbing from booster.

Adjustable wrench used in this step.

Apply thread tape to threads of hose before connecting.

Hose is cut-to-length and will only reach intended connection point.

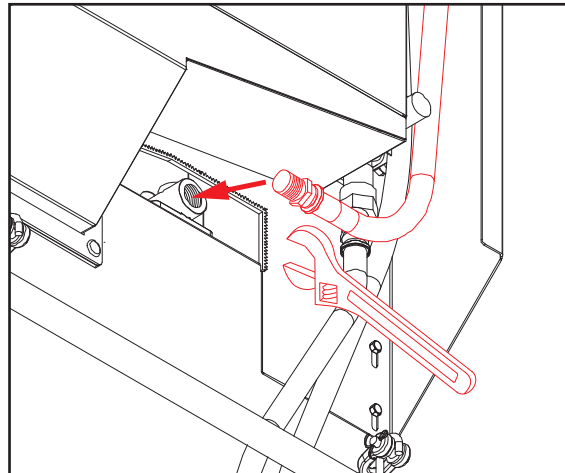


6. Use adjustable wrench to connect short red hose to rinse injector.

Adjustable wrench used in this step.

Apply thread tape to threads of hose before connecting.

Hose is cut-to-length and will only reach intended connection point.

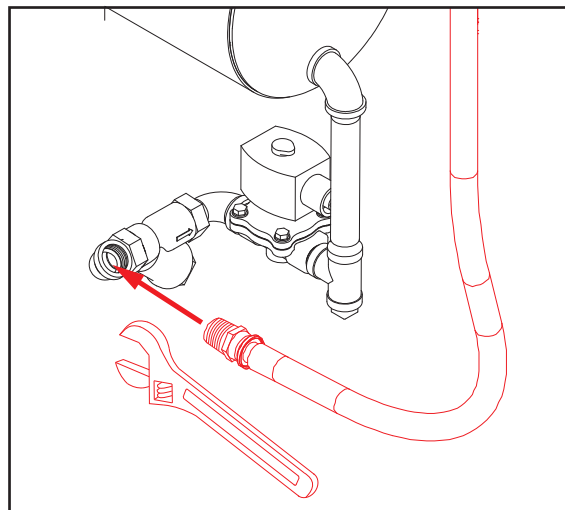


7. Use adjustable wrench to connect blue hose to coupling on plumbing going to booster.

Adjustable wrench used in this step.

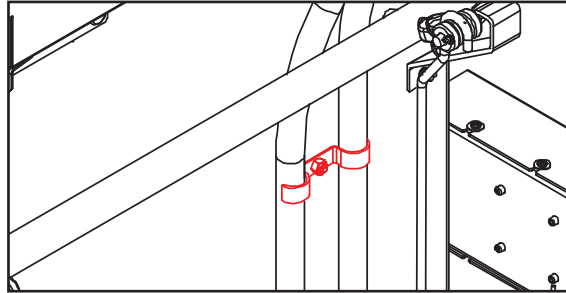
Apply thread tape to threads of hose before connecting.

Hose is cut-to-length and will only reach intended connection point.



PROCEDURE

8. Tidy hoses by sliding them under clamps.

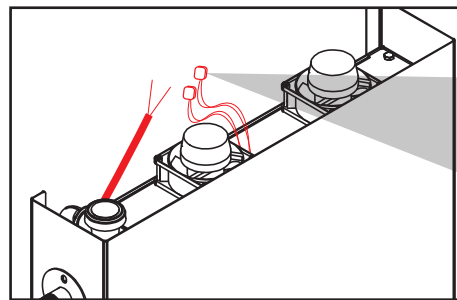


9. Locate wire connectors at top of VER system (near fans) and connect black wire and white wire from machine control box (located in black cord routed from control box), black in one connector and white in the other.

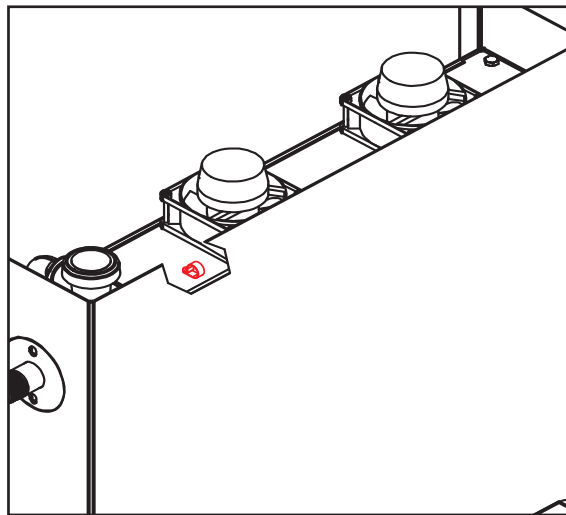
Black wire and white wire are shipped disconnected on end shown, but are already connected inside control box.



CAUTION! Fan wires must be connected to black wire and white wire before proceeding with machine installation!



10. Tidy wires and lock them in place with p-clamp on top of VER system.



11. VER system is now assembled. Proceed with Step 2 of install guide that came with machine.