

SIEMENS

SIMATIC

HMI devices Comfort Panels INOX, ITC INOX

Compact Operating Instructions

Preface

Overview

1

Safety instructions

2

Installing and connecting the device

3

Cleaning the device

4

Technical specifications

5

Technical Support

A




List of abbreviations

B

Legal information

Warning notice system

This manual contains notices you have to observe in order to ensure your personal safety, as well as to prevent damage to property. The notices referring to your personal safety are highlighted in the manual by a safety alert symbol, notices referring only to property damage have no safety alert symbol. These notices shown below are graded according to the degree of danger.

 DANGER
indicates that death or severe personal injury will result if proper precautions are not taken.
 WARNING
indicates that death or severe personal injury may result if proper precautions are not taken.
 CAUTION
indicates that minor personal injury can result if proper precautions are not taken.
NOTICE
indicates that property damage can result if proper precautions are not taken.


If more than one degree of danger is present, the warning notice representing the highest degree of danger will be used. A notice warning of injury to persons with a safety alert symbol may also include a warning relating to property damage.

Qualified Personnel

The product/system described in this documentation may be operated only by **personnel qualified** for the specific task in accordance with the relevant documentation, in particular its warning notices and safety instructions. Qualified personnel are those who, based on their training and experience, are capable of identifying risks and avoiding potential hazards when working with these products/systems.

Proper use of Siemens products

Note the following:

 WARNING
Siemens products may only be used for the applications described in the catalog and in the relevant technical documentation. If products and components from other manufacturers are used, these must be recommended or approved by Siemens. Proper transport, storage, installation, assembly, commissioning, operation and maintenance are required to ensure that the products operate safely and without any problems. The permissible ambient conditions must be complied with. The information in the relevant documentation must be observed.

Trademarks

All names identified by ® are registered trademarks of Siemens AG. The remaining trademarks in this publication may be trademarks whose use by third parties for their own purposes could violate the rights of the owner.

Disclaimer of Liability

We have reviewed the contents of this publication to ensure consistency with the hardware and software described. Since variance cannot be precluded entirely, we cannot guarantee full consistency. However, the information in this publication is reviewed regularly and any necessary corrections are included in subsequent editions.

Preface

Scope of validity

These compact operating instructions apply to the following devices which are based on the following standard devices:

INOX device	Basic device
TP700 Comfort INOX, article number 6AV2144-8GC10-0AA0	TP700 Comfort
TP900 Comfort INOX, article number 6AV2144-8JC10-0AA0	TP900 Comfort
TP1200 Comfort INOX, article number 6AV2144-8MC10-0AA0	TP1200 Comfort
TP1500 Comfort INOX, article number 6AV2144-8QC10-0AA0	TP1500 Comfort
TP1900 Comfort INOX, article number 6AV2144-8UC10-0AA0	TP1900 Comfort
ITC1900 INOX, article number 6AV6646-8AC10-0AA0	ITC1900

These compact operating instructions describe the technical differences between the INOX devices and the corresponding basic devices.

The notes in these compact operating instructions take precedence over statements in the basic operating instructions, the release notes and online help.

Comfort Panels operating instructions

<http://support.automation.siemens.com/WW/view/en/49313233>)

Industrial Thin Clients operating instructions

<http://support.automation.siemens.com/WW/view/en/61187980>)

Unless otherwise described in this document, all of the statements made in the general operating manual concerning the basic device are valid for the corresponding INOX device. This means the statements on hardware, operating system, software, configuration, maintenance, and servicing.

Note

This document belongs to the device and will also be required for repeat commissioning. Keep all supplied and supplementary documentation for the entire service life of the device.

Pass on all of these documents to a future owner of the device.

Style conventions

Style Convention	Scope
"Add screen"	<ul style="list-style-type: none">• Terms that occur in the user interface, for example, dialog name, tab, button, menu command• Necessary entries, for example, limit value, tag value• Path specification
"File > Edit"	Operating sequences, for example, menu item, shortcut menu command
<F1>, <Alt+P>	Designation of a key on a keyboard

You should also observe notes that are marked as follows:

Note

A note contains important information about the product described in the document and its handling, or a specific section of the document to which you should pay particular attention.

Naming conventions

Term	Applies to
System	<ul style="list-style-type: none">• System• Machining center• One or more machines
Device	<ul style="list-style-type: none">• TP700 Comfort INOX• TP900 Comfort INOX• TP1200 Comfort INOX• TP1500 Comfort INOX• TP1900 Comfort INOX• ITC1900 INOX

Figures

This document contains illustrations of the described devices. The figures can deviate from the particularities of the delivered device.

Table of contents

	Preface	3
1	Overview	7
1.1	Product overview.....	7
1.2	Scope of delivery.....	8
1.3	Layout of the devices.....	8
1.4	Interfaces	9
1.5	Accessories.....	10
2	Safety instructions	11
2.1	General safety instructions	11
2.2	Notes on use.....	12
2.3	Supplemental notes.....	12
3	Installing and connecting the device	13
3.1	Mounting instructions.....	13
3.2	Preparing for installation.....	13
3.2.1	Check the scope of delivery.....	13
3.2.2	Checking the operating conditions	13
3.2.3	Selecting a mounting position	14
3.2.4	Checking clearances	16
3.3	Inserting the mounting gasket.....	17
3.4	Positions of the mounting clips for TP1900 Comfort INOX and ITC1900 INOX	19
3.5	Mounting the device	20
3.6	Connecting the device	22
4	Cleaning the device	23
4.1	Cleaning product	23
4.2	Clean screen for Touch HMI devices	23
4.3	Chemical Resistance.....	24
4.4	Working with stainless steel surfaces.....	24

5	Technical specifications	26
5.1	Certificates and approvals	26
5.2	Dimension drawings	30
5.2.1	Dimension drawing TP700 Comfort INOX.....	30
5.2.2	Dimension drawing TP900 Comfort INOX.....	31
5.2.3	Dimension drawing TP1200 Comfort INOX.....	32
5.2.4	Dimension drawing TP1500 Comfort INOX.....	33
5.2.5	Dimension drawing TP1900 Comfort INOX, ITC1900 INOX	34
5.3	Technical specifications.....	35
5.4	Classification of environmental conditions.....	36
5.4.1	Overview.....	36
5.4.2	Classification for storage	36
5.4.3	Classification for shipping	37
5.4.4	Classification for stationary and weather-protected use.....	38
5.4.5	Climate diagram	40
A	Technical Support	41
A.1	Service and support	41
B	List of abbreviations	42

Overview

1

1.1 Product overview

INOX devices with touch screen and stainless steel front are designed for use in the food and beverage industry, including in splash zones of food production, the pharmaceutical industry, fine chemicals and in other hygiene areas for machine-level operator control and monitoring. For this reason, the devices with stainless steel front have been developed in compliance with DIN EN 1672-2 "Food processing machinery – Safety and Hygiene Requirements".



- The external dimensions of the front and mounting cutout are the same as for the standard product
- Optimized rack design with slight projections to the cabinet and for allowing liquids to run off
- Simpler cleaning thanks to resistant and rugged stainless steel front with smooth surface and minimal grooves and gaps
- IP66K degree of protection ¹ on the front for increased tightness and ruggedness
- Stainless steel surface polished with grain size 240
- Decorative foil tested against chemicals
- Display splash protection
- Food-grade mounting gasket, exchangeable
- Rear clamping frame for even application pressure of the mounting gasket

¹ For use in hazardous areas of Zones 2 and 22: on the front at least IP65, see section "Technical specifications (Page 35)".

1.2 Scope of delivery

Depending on the order, the scope of delivery includes:

- 1 × device
- 1 × accessory pack with the following contents:
 - 1 mounting gasket
 - 1 clamping frame
 - 1 power supply terminal
 - 1 strain relief plate (only for TP700 Comfort INOX)
 - Mounting clips

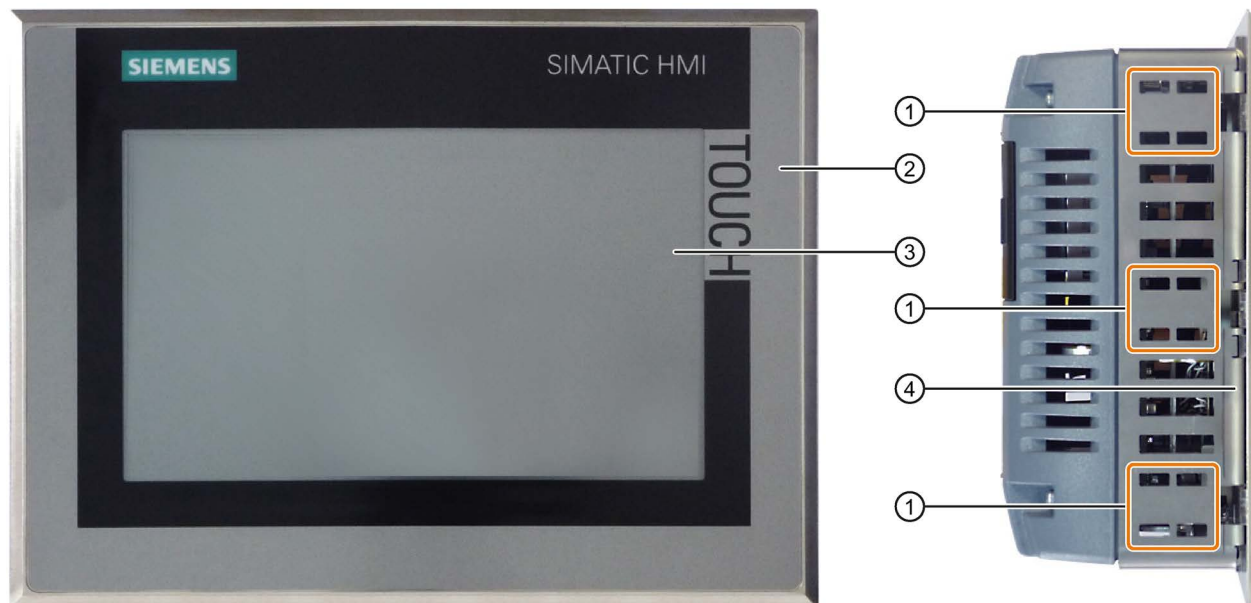
Device name	Number of mounting clips
TP700 Comfort INOX,	10
TP900 Comfort INOX	13
TP1200 Comfort INOX	12
TP1500 Comfort INOX	20
TP1900 Comfort INOX, ITC1900 INOX	18

- 1 × "Comfort Panels INOX, ITC INOX" product information

1.3 Layout of the devices

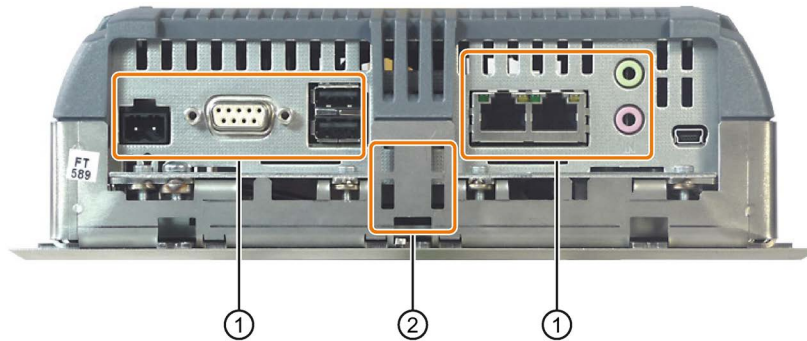
The figures in this chapter show the layout of the INOX devices using the TP700 Comfort INOX as an example.

Front view and side view



- ① Cutout for mounting clip
- ② Stainless steel front
- ③ Display with touch screen
- ④ Mounting gasket

Bottom view

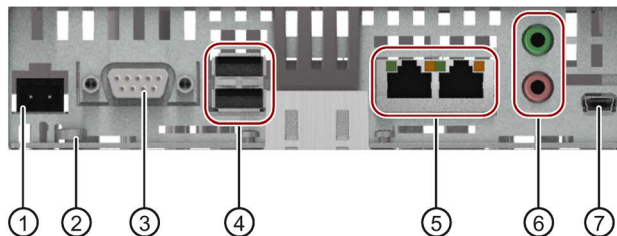


- ① Ports
- ② Cutout for mounting clip

1.4 Interfaces

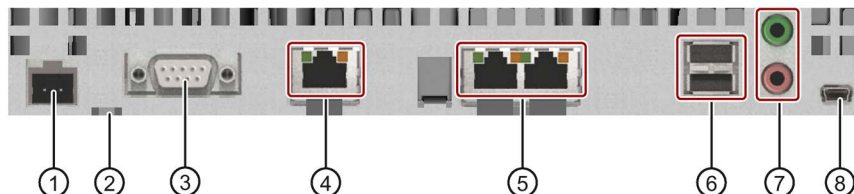
Interfaces of the Comfort INOX devices

TP700 Comfort INOX, TP900 Comfort INOX, TP1200 Comfort INOX



- ① X80 power supply connector
- ② Connection for equipotential bonding (ground)
- ③ X2 PROFIBUS (Sub-D RS422/485)
- ④ X61 / X62 USB type A
- ⑤ X1 PROFINET (LAN), 10/100 Mb
- ⑥ X90 Audio Line IN / OUT
- ⑦ X60 USB type Mini B

TP1500 Comfort INOX, TP1900 Comfort INOX



- ① X80 power supply connector
- ② Connection for equipotential bonding (ground)
- ③ X2 PROFIBUS (Sub-D RS422/485)
- ④ X3 PROFINET (LAN), 10/100/1000 Mb
- ⑤ X1 PROFINET (LAN), 10/100 Mb
- ⑥ X61 / X62 USB type A
- ⑦ X90 Audio Line IN / OUT
- ⑧ X60 USB type Mini B

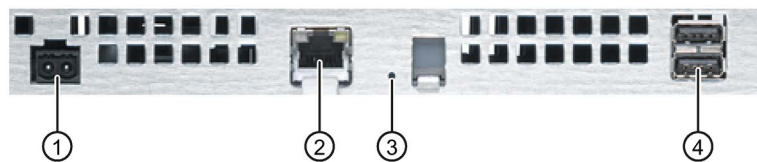
Use the X1 or X60 interface to connect a configuration PC. Use the X61 / X62 interfaces to connect peripheral devices such as a printer or keyboard. Use the X90 interface to connect a loudspeaker.

You can fasten the USB and PROFINET connecting cables to the rear panel of the device with cable ties.

On the TP700 Comfort INOX you secure the cables with a separate strain relief plate. Install the strain relief plate on the device.

Interfaces of the ITC1900 INOX

The following figure shows the interfaces of the ITC1900 INOX.



- ① Power supply connector
- ② LAN interface (PROFINET/Ethernet)
- ③ "Factory settings" key
- ④ USB ports

1.5 Accessories

Accessories can be ordered on the Internet at:

Industry Mall (<https://mall.industry.siemens.com>)


The following service packs with clamping frames, mounting gaskets, mounting clips and strain relief plate are available for the INOX devices:

- TP700 INOX Service Pack, article number 6AV2185-4GA00-0AX0
- TP900 INOX Service Pack, article number 6AV2185-4JA00-0AX0
- TP1200 INOX Service Pack, article number 6AV2185-4MA00-0AX0
- TP1500 INOX Service Pack, article number 6AV2185-4QA00-0AX0
- TP1900 Comfort INOX Service Pack, ITC1900 INOX Service Pack, article number 6AV2185-4UA00-0AX0


Safety instructions

2.1 General safety instructions

Installation according to the instructions

 WARNING
<p>The device may only be used in machines which comply with the Machinery Directive</p> <p>The "Machinery Directive" governs, among other things, the precautions to be taken when commissioning and operating machines within the European Economic Area.</p> <p>Failure to follow these precautions is a breach of the Machinery Directive. Such failure may also cause personal injury and damage depending on the machine operated.</p> <p>The machine in which the HMI device is to be operated must conform to Directive 2006/42/EC.</p>

Notes on the touch screen

 WARNING
<p>Risk of explosion, personal injury or material damage in the case of a defective touch screen</p> <p>The application of excessive force to the device front can destroy the device touch screen, for example, piercing the front membrane or breaking the touch screen carrier plate. There is a risk of explosion, injury and food contamination with additional consequential and health damage.</p> <p>Make sure that excessive force cannot be applied to the device front.</p> <p>If the device touch screen is defective, decommission the affected machine immediately and replace the device at once. When replacing the device, please note the chapter "Installing and connecting the device (Page 13)".</p>

Note

Wrinkles on the touch screen

Wrinkles may form on the touch screen decorative foil under extreme climatic conditions. This will not affect the operability of the touch screen and does not represent a deficiency in quality.

ESD



Electrostatically sensitive components include almost all electrical, electronic, optoelectronic and electromechanical components. These components are sensitive to overvoltage for technical reasons and their function may be impaired or destroyed by electrostatic discharge. Observe the regulations governing the handling of ESD components.

2.2 Notes on use

Note

Avoid direct or indirect contact with food in the area of the device's decorative foil to avoid possible cross contamination.

2.3 Supplemental notes

Configuration

A Comfort INOX device is configured in the same way as the corresponding basic device, see section "Scope of validity" in the preface (Page 3).

To configure a Comfort INOX device in WinCC (TIA Portal), select the corresponding basic device in the TIA catalog and place it in your project.

Installing and connecting the device

3.1 Mounting instructions

The technical specifications given for the device are guaranteed:

- If the device is installed by qualified personnel
- If the installation is performed as specified in this document

3.2 Preparing for installation

3.2.1 Check the scope of delivery

Check the scope of delivery for visible signs of damages caused during transport and for completeness, see chapter "Scope of delivery (Page 8)".

NOTICE
<p>Damaged parts</p> <p>A damaged part can cause device malfunctions.</p> <p>Do not install damaged parts.</p>

In the case of damaged parts or incomplete delivery, contact your Siemens representative.

3.2.2 Checking the operating conditions

Note the following aspects before installing the device:

1. Familiarize yourself with the standards, approvals, EMC parameters and technical specifications for operation of the device. This information is available in the following chapters:
 - "Certificates and approvals (Page 26)"
 - See the operating instructions for electromagnetic compatibility
2. Check the mechanical and climatic ambient conditions for operation of the device; see Classification of environmental conditions (Page 36).
3. Follow the notes on use in the operating instructions.

3.2.3 Selecting a mounting position

The HMI device is suitable for installation in:

- Mounting cabinets
- Control cabinets
- Switchboards
- Consoles

In the following, all of these mounting options are referred to by the general term "cabinet".

The HMI device is self-ventilated and approved for inclined mounting at angles of up to +/-35° in stationary cabinets.

NOTICE

Damage due to overheating

An inclined installation reduces the convection by the HMI device and therefore the maximum permitted ambient temperature for operation.

If there is sufficient convection from forced ventilation, the HMI device can also be operated in the inclined mounting position up to the maximum permitted ambient temperature for vertical installation. The HMI device may otherwise be damaged and its certifications and warranty will be void.

Note

Extended inclination and ambient temperature range

You can operate 7" to 15" devices with extended inclination and extended temperature range under the following conditions:

- The USB load does not exceed 100 mA per USB port.
- The +24 V DC connection of the PROFIBUS interface is not used.
- The relative atmospheric humidity behaves according to the climate diagram (Page 40) in combination with the information on ambient temperature and relative humidity in the technical specifications, see section "Classification for stationary and weather-protected use (Page 38)".

The following mounting positions and temperature ranges are permitted under the specified conditions:

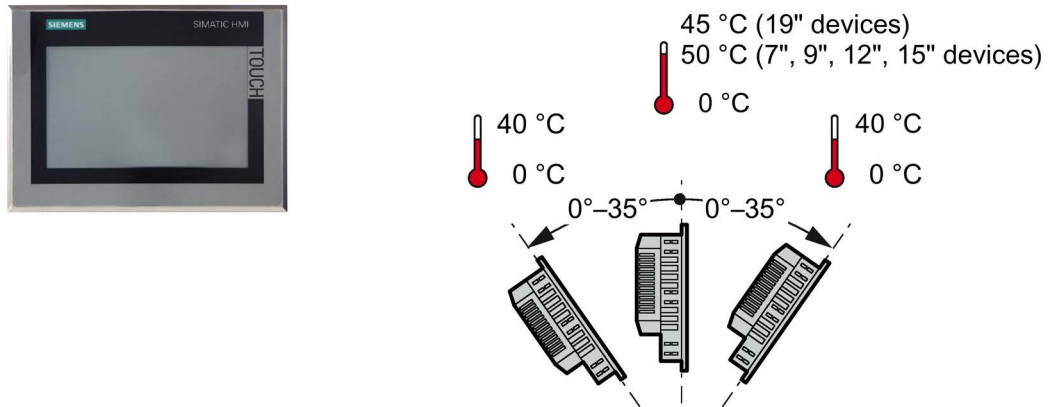
- Vertical mounting in landscape format with a maximum ambient temperature of +55 °C
- Mounting in landscape format with an inclination of up to 40° from the vertical with a maximum ambient temperature of 40 °C

Mounting position

Select one of the approved mounting positions for your HMI device. The approved mounting positions are described in the following sections using the TP700 Comfort INOX as an example.

Mounting in horizontal format

All HMI devices are suitable for horizontal mounting positions.

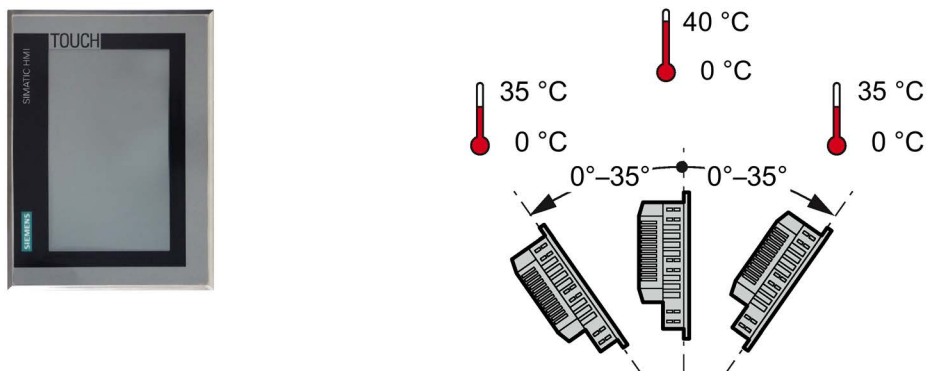


A maximum ambient temperature of +50 °C is permitted for vertical mounting (0° tilt angle); a maximum of +40 °C is permitted for inclined mounting.

The ambient temperature for the 19" devices when installed vertically should not exceed +45 °C.

Mounting in vertical format

The Touch HMI devices are also suitable for mounting in vertical format. Select the appropriate screen format during configuration.



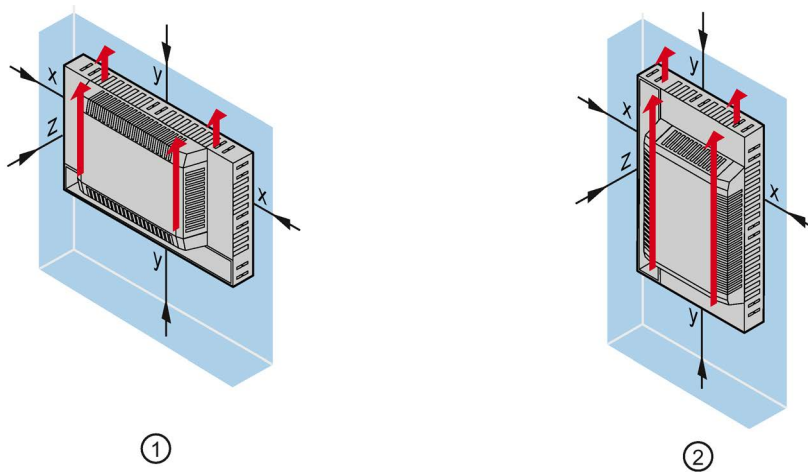
A maximum ambient temperature of +40 °C is permitted for vertical mounting (0° tilt angle); a maximum of +35 °C is permitted for inclined mounting.

3.2.4 Checking clearances

The following clearances are required around the HMI device to ensure sufficient self-ventilation:

- At least 23 mm to the right and to the left of the mounting cutout (in the x direction) for mounting the clamping frame during installation
- At least 50 mm above and 50 mm below the mounting cutout (in the y direction) for ventilation
- At least 10 mm behind the rear panel of the HMI device (in the z direction)

The following figure shows the clearances during mounting of the HMI devices in horizontal and vertical formats:



- ① Clearance for installation in landscape format
- ② Clearance for installation in portrait format
- x Distance from wall at least 23 cm.
- y At least 50 mm distance
- z At least 10 mm distance

Note

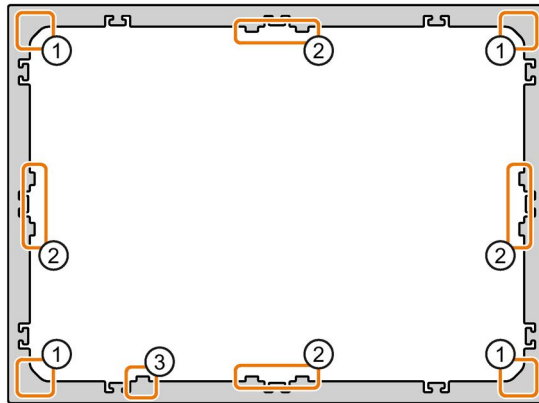
Ensure that the maximum ambient temperature is not exceeded when mounting the device in a cabinet and especially in a closed enclosure.

3.3 Inserting the mounting gasket

The following process describes the use of the mounting gasket for all devices based on the example of the TP700 Comfort INOX.

The mounting gasket is unsymmetrical and is therefore equipped with a coding tap.

On all mounting gaskets of the INOX devices, the coding tap is on the bottom left in relation to the rear of the device.



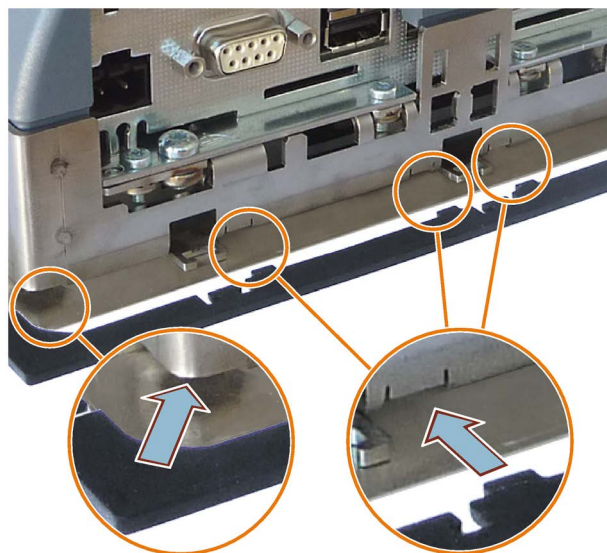
- ① Seal rounding
- ② Retaining collar
- ③ Coding tap

Procedure

Note

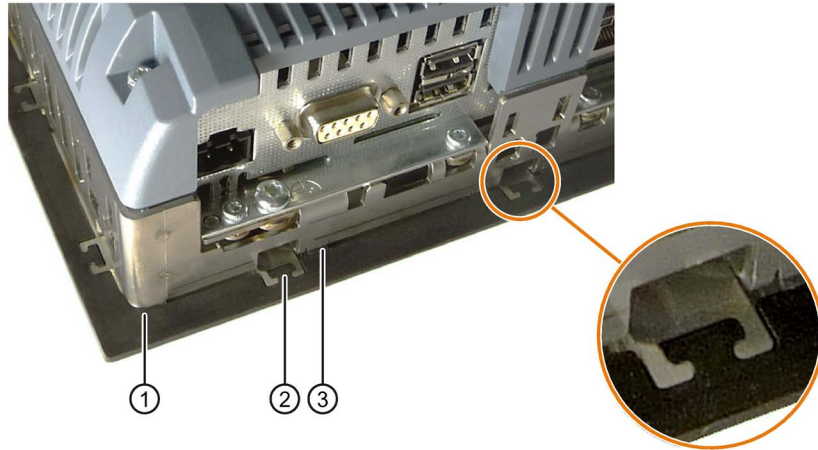
Use a new mounting gasket, otherwise the degree of protection specified in the compact operating instructions cannot be guaranteed.

1. Find the coding tap on the mounting gasket and rotate the mounting gasket as shown in the figure below.



3.3 Inserting the mounting gasket

2. Place the mounting gasket as shown on the stainless steel face.



- ① Seal rounding lies below the housing frame
- ② Sealing clamp locks fully into the cutout
- ③ Coding tap

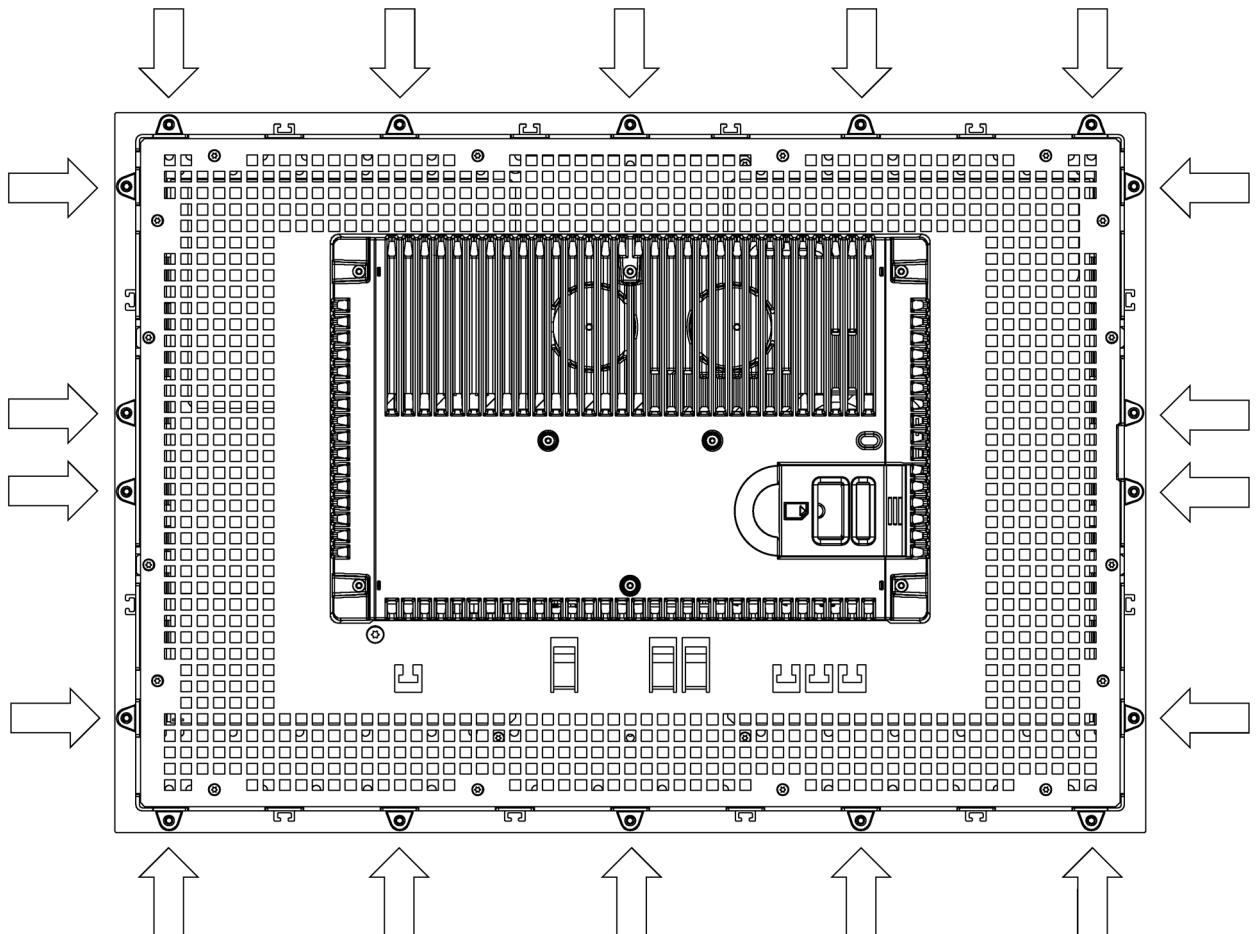
3. Check the correct fit of the mounting gasket.

The coding tap must be positioned at the location indicated. The round sections of the seal and the seal clamps must lie in the cutouts specified for this purpose. If the mounting gasket was inserted correctly, it lies flat and without warping on the stainless steel face.

The edge of the mounting gasket closes flush with the edge of the stainless steel face.

3.4 Positions of the mounting clips for TP1900 Comfort INOX and ITC1900 INOX

The following section describes how you can install the device. Observe the following mounting clip positions for the TP1900 Comfort INOX and the ITC1900 INOX:



3.5 Mounting the device

The following process describes installation for all devices based on the example of the TP700 Comfort INOX.

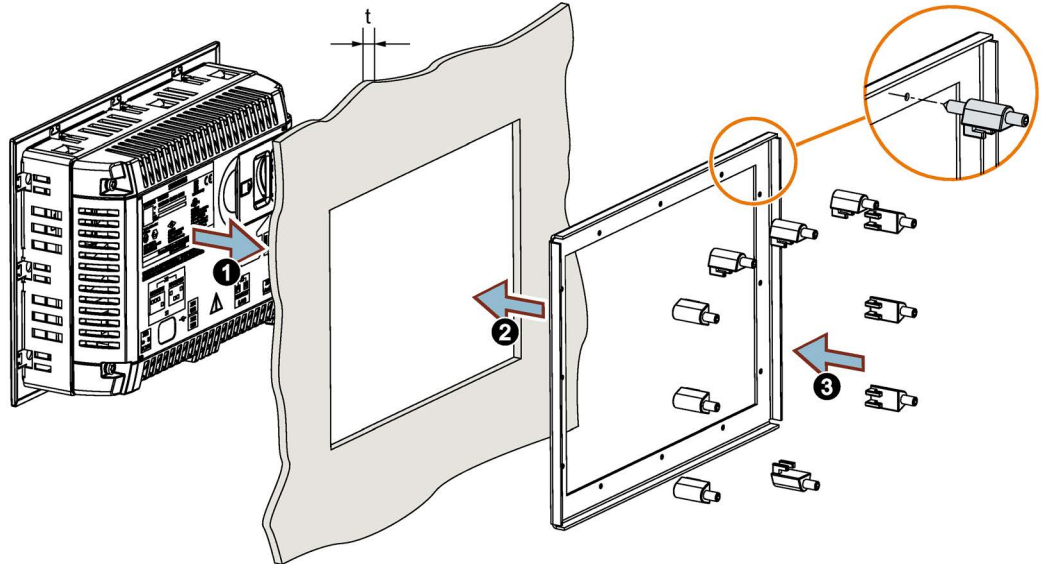
Requirement

- All packaging components and the edge protection tape, if present, have been removed.
- 1 clamping frame
- 1 Allen key 2.5 mm
- Mounting clips:
 - TP700 Comfort INOX: 10 mounting clips
 - TP900 Comfort INOX: 13 mounting clips
 - TP1200 Comfort INOX: 12 mounting clips
 - TP1500 Comfort INOX: 20 mounting clips
 - TP1900 Comfort INOX, ITC1900 INOX: 18 mounting clips

Installation

1. Assemble the device with inserted mounting gasket, clamping frame and all supplied mounting clips as shown in the figure below. Observe the additional product information, if any, supplied with the product.

The tip of the setscrew must be inserted into the center hole as shown in the zoomed section of the figure.



Material thickness t at the mounting cutout:

TP700/900/1200 Comfort INOX: 1.5 ... 6 mm

TP1500/1900 Comfort INOX and ITC1900 INOX: 1.5 ... 5 mm

2. Turn the setscrew of each mounting clip until a slight clamping force is perceptible. After a few rotations a slight resistance will become perceptible. When the increase in force is perceptible, tighten the setscrew of the next mounting clip. Perform this step for all setscrews.
3. Check the correct placement of the mounting gasket. The edge of the mounting gasket must be flush and close evenly with the stainless steel face; it may project 0.1 to 0.5 mm.
4. Tighten the setscrew of the mounting clip until the fixed stop is reached and the torque increases perceptibly. The tightening torque is then:
 - Approx. 1.0 Nm with 7", 9" and 12" devices
 - Approx. 0.5 Nm with 15" and 19" devices

The stainless steel front lies fully against the installation location and the mounting gasket is subject to required clamping force.
5. Check that the fixed stop has been reached on all mounting clips and that the mounting gasket is installed correctly. Correct the tightening torque, if necessary, so that the clamping force is evenly distributed.

Removal


For removal, follow the steps for installation in reverse order. Dispose of the used mounting gasket.

3.6 Connecting the device

The specifications in the relevant operating instructions apply.

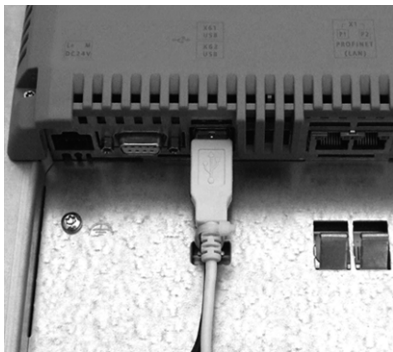
Please also note the following information.

Connection in hazardous areas

 WARNING
Explosion hazard
The audio connectors are only designed for temporary connection.
Do not use, connect or disconnect until the device is in a non-hazardous area.
Connecting or disconnecting in a hazardous environment could cause an explosion.

Securing cables

After connecting the USB cables, secure them to the corresponding fixing elements using the cable ties.



Cleaning the device

4.1 Cleaning product

The specifications in the operating instructions apply when using the device in hazardous areas of Zones 2 and 22.

For use of the device at normal atmospheric conditions, the following is permitted in addition to the operating instructions:

- Cleaning with strong jet water under increased pressure
On front IP66K in accordance with DIN 40050, Part 9

4.2 Clean screen for Touch HMI devices

This chapter is valid for the Comfort INOX HMI devices.

The touch screen of the HMI device can be cleaned when it is switched on and a project is running. An operating element must be available in the project that can be used to call the "clean" screen. Once the clean screen is activated, touch screen operation is locked for a configured period of time. The time the touch screen is locked can be set between 5 and 30 seconds. The time remaining for the lockout is indicated by a progress bar.

Note

Unintentional responses

When cleaning the touch screen, an unintentional response in the controller can be triggered by touching keys.

Always open the clean screen or switch off the HMI device before you clean the touch screen while the system is running.

Cannot be operated when the clean screen is active

When the clean screen is active, operations on the HMI device are not possible.

Wait for the period of the clean screen to lapse. Then you can operate the system again with the HMI device.

No clean screen with HMI devices with touch screen and function keys

The clean screen is not available for HMI devices with touch screen and function keys. In this case, configure a screen without operating elements, for example.

4.3 Chemical Resistance

Front membrane

The resistance of the front membrane to various chemicals has been tested to DIN 42 115, section 2. The front membrane is resistant to the chemicals listed below:

- Alcohol
- Diluted acids
- Diluted caustic solutions
- Ester
- Hydrocarbons
- Household cleaners

You can find information of chemical resistance on the Internet (<http://support.automation.siemens.com/WW/view/en/39718396>).

Mounting gasket

The mounting gasket made of EPDM is approved for food according to FDA 21 CFR 177-2600.

4.4 Working with stainless steel surfaces

Resistance

Information on the resistance of stainless steel:

- The stainless steel surface is not fully resistant against the chemicals listed below:
 - Hydrochloric acid
 - Sulphuric acid
 - Sodium hydroxide
 - Chlorine
 - Chlorides

Do not clean the stainless steel surface with these chemicals or with similar acids or caustic solutions.

- Acid steam develops, for example, when tiles are cleaned with hydrochloric acid, and is also harmful to the stainless steel. If the stainless steel parts are unintentionally contaminated with hydrochloric acid, rinse these off immediately with plenty of water.
- Clean the stainless steel surface with a cleansing agent without active chlorine.

Cleaning guidelines

Further information on stainless steel surfaces:

- The surface should be properly ventilated.
- Keep the surface clean. Remove cleaners and food residue immediately. Always avoid the return of food stuff splashes to the production process.
- If mechanical cleaning is necessary, do not use cleaning equipment made of metal.
 - Use brushes made of plastic or natural materials, or a microfiber pad.
 - Use plenty of water to clean the surface.
 - Make sure that the cleansing agent is completely removed without any residue.
- Make sure surface is not damaged: Do not damage the device during operation, or by cleaning or repairing it using hard tools, in particular tools made of corrodible materials.
- Make sure that the surface does not come into contact with rusted parts.

This includes water pipes, filings, residue from wire brushes or steel wool. These, as well as rust films have a corrosive effect on parts made of stainless steel.

- Remove any stains or rust immediately.
- Remove new rust spots with a mild abrasive detergent in order to prevent any further corrosion.
- Rinse the part thoroughly after you cleaned it.

Technical specifications

5.1 Certificates and approvals

Approvals

Note

The following overview shows possible approvals.

The HMI device itself is approved as shown on the rear panel labels.

CE approval



The HMI device meets the general and safety-related requirements of the following EU directives and conforms to the harmonized European standards (EN) for programmable logic controllers published in the official gazettes of the European Union:

- 2014/30/EU "Electromagnetic Compatibility" (EMC Directive)
- 2014/34/EU "Equipment and protective systems for use in hazardous areas" (Explosion protection directive)
- 2011/65/EU "Directive of the European Parliament and of the Council of 8 June 2011 on the restriction of the use of certain hazardous substances in electrical and electronic equipment" (RoHS Directive)

EU Declaration of Conformity

The EU Declarations of Conformity are available to the relevant authorities at the following address:

Siemens AG
 Digital Factory
 Factory Automation
 DF FA AS SYS
 P.O. Box 1963
 D-92209 Amberg, Germany

The declaration of conformity and additional certificates are also available at the following Internet address: INOX HMI devices certificates

<https://support.industry.siemens.com/cs/ww/en/ps/14830/cert>

IEC 61131

The HMI device satisfies the requirements and criteria conforming to IEC 61131-2, Programmable Logic Controllers, Part 2: Equipment requirements and tests.

UL approval



Underwriters Laboratories Inc., to

- UL 508 (Industrial Control Equipment)
- CSA C22.2 No. 142 (Process Control Equipment)

or



Underwriters Laboratories Inc., to

- UL 508 (Industrial Control Equipment)
- CSA C22.2 No. 142 (Process Control Equipment)
- UL 1604 (Hazardous Location)
- CSA-213 (Hazardous Location)

Approved for use in

- Class I, Division 2, Group A, B, C, D or
- Class I, Zone 2, Group IIC or
- non-hazardous locations

FM Approval



Factory Mutual Research (FM) conforming to

- Approval Standard Class Number 3611, 3600, 3810
- CSA C22.2 No. 213
- CSA C22.2 No. 1010.1

Approved for use in

- Class I, Division 2, Group A, B, C, D T4
- Class I, Zone 2, Group IIC T4

ATEX/IECEx approval

WARNING

Personal injury or material damage due to inobservance of safety instructions

Inobservance of safety instructions valid for your device may result in personal injury or material damage.

The information in the attached "Use in potentially explosive atmosphere, zone 2 and 22" section of the "Use in Potentially Explosive Atmosphere, Zones 2 and 22" product information (identification number A5E02095382) is valid for the INOX devices listed in this Compact Operating Instructions manual.

Observe the information in this Compact Operating Instructions manual and in the "Use in Potentially Explosive Atmosphere, Zones 2 and 22" product information (identification number A5E02095382) included with your device and is available on the Internet at the following address:

ATEX-FAQ (<https://support.industry.siemens.com/cs/ww/en/view/291285>)

Operating temperature for ITC1900 INOX, TP1900 Comfort INOX

The ambient temperature range is $0\text{ °C} \leq T \leq 45\text{ °C}$. Under these conditions, the HMI device satisfies a maximum surface temperature of **xx** °C for category 3D

(**xx** = Temperature values, see design examination certificate

(<https://support.industry.siemens.com/cs/ww/en/ps/14830/cert>)).



Special conditions of use

The front side of the SIMATIC Comfort INOX device or the SIMATIC ITC1900 INOX device provides a degree of protection of at least IP65. It shall be installed in a suitable enclosure providing a degree of protection of at least IP54 according to EN 60079-15 for gas and non-conductive dust and IP6X according to EN 60079-31 for conductive dust, taking into account the environmental conditions under which the equipment is used.

The equipment shall be installed in such a way that the risk of mechanical danger is low.

To avoid an electrostatic charge, wipe the enclosure surface with a damp cloth only.

When used in an area requiring the use of equipment with EPL Gc:

- The equipment shall only be used in an area of not more than pollution degree 2, as defined in EN 60664-1.
- Provisions shall be made to prevent the rated voltage from being exceeded by transient disturbances of more than 119 V.

Under the special conditions mentioned, the following approvals apply to the device:

- II 3 G Ex nA IIC T4 Gc and
II 3 D Ex tc IIIC T70 °C Dc IP65
ATEX certificate number:
 - TP700/1200 Comfort INOX: DEKRA 11 ATEX 0005 X
 - TP900/1500/1900 Comfort INOX, ITC1900 INOX: DEKRA 15 ATEX 0074 XStandards: EN 60079-0:2012 +A11:2013, EN 60079-15:2010, EN 60079-31:2014
- Ex nA IIC T4 Gc and
Ex tc IIIC T70 °C Dc
IECEx certificate number:
 - TP700/1200 Comfort INOX: DEK 13.0085 X
 - TP900/1500/1900 Comfort INOX, ITC1900 INOX: DEK 15.0049 XStandards: IEC 60079-0:2011 (Ed.6), +Corr.1. 2012 +Corr.2. 2013, IEC 60079-15:2010 (Ed. 4), IEC 60079-31:2013 (Ed. 2)

RCM Declaration of Conformity for Australia/New Zealand



This product meets the requirements of the standards:

- AS/NZS 61000.6.4
- IEC 61000-6-4

KOREA



This product meets the requirements of Korean certification.

This product satisfies the requirement of the Korean Certification (KC Mark).

이 기기는 업무용(A급) 전자파 적합기기로서 판매자 또는 사용자는 이 점을 주의하시기
바라며 가정 외의 지역에서 사용하는 것을 목적으로 합니다.

Note that this device conforms to Limit Class A for emission of radio interference. This
device can be used in all areas except the residential area.

Identification for Eurasian Customs Union



- EAC (Eurasian Conformity)
- Customs union of Russia, Belarus and Kazakhstan
- Declaration of conformity according to Technical Regulations of the Customs Union (TR CU)

WEEE label (European Union)



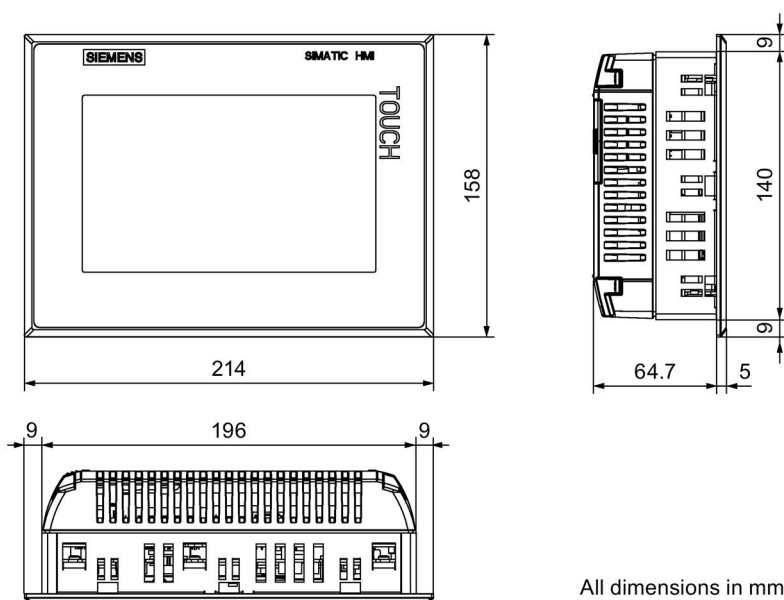
Disposal notice, observe the local regulations and the section "Recycling and disposal" of
the Operating Instructions.

Marine approvals

The marine approvals for the device are listed in the following product information: Comfort Panels INOX, ITC INOX Marine approvals (<https://support.industry.siemens.com/cs/ww/en/ps/14830/man>)

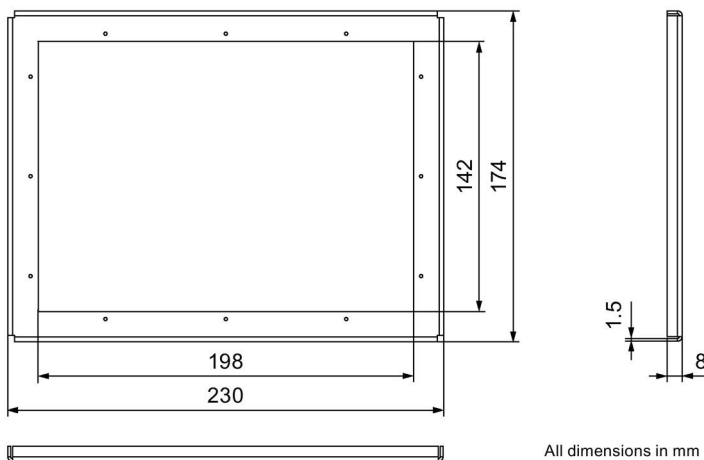
5.2 Dimension drawings

5.2.1 Dimension drawing TP700 Comfort INOX



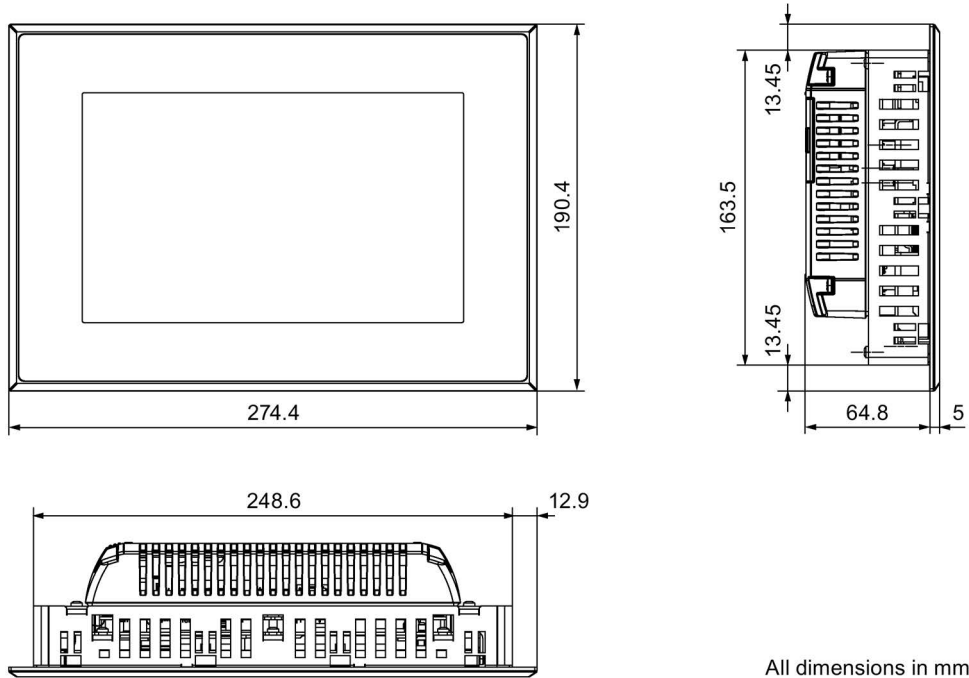
All dimensions in mm

Clamping frame



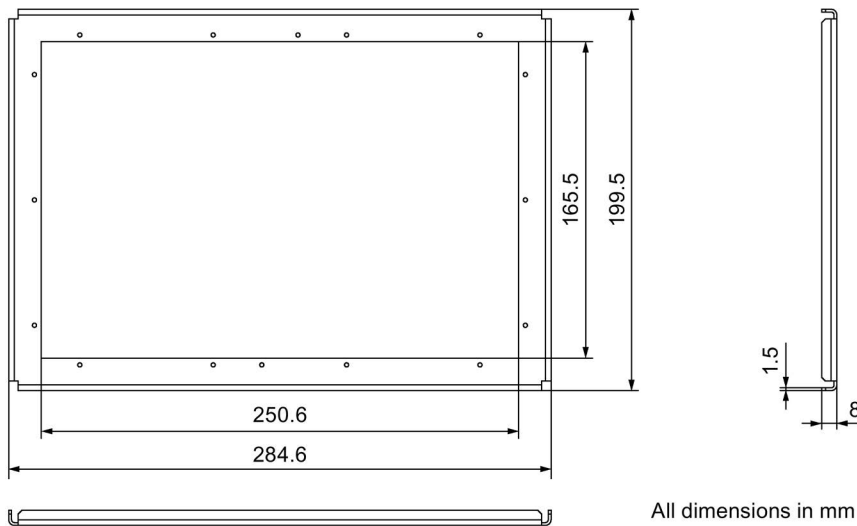
All dimensions in mm

5.2.2 Dimension drawing TP900 Comfort INOX



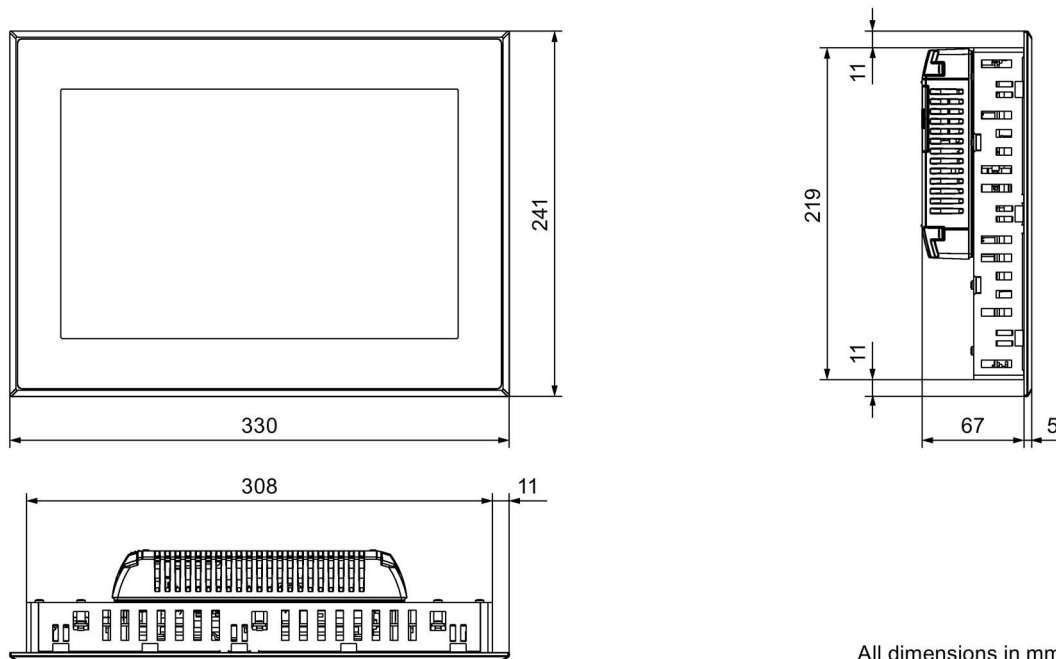
All dimensions in mm

Clamping frame



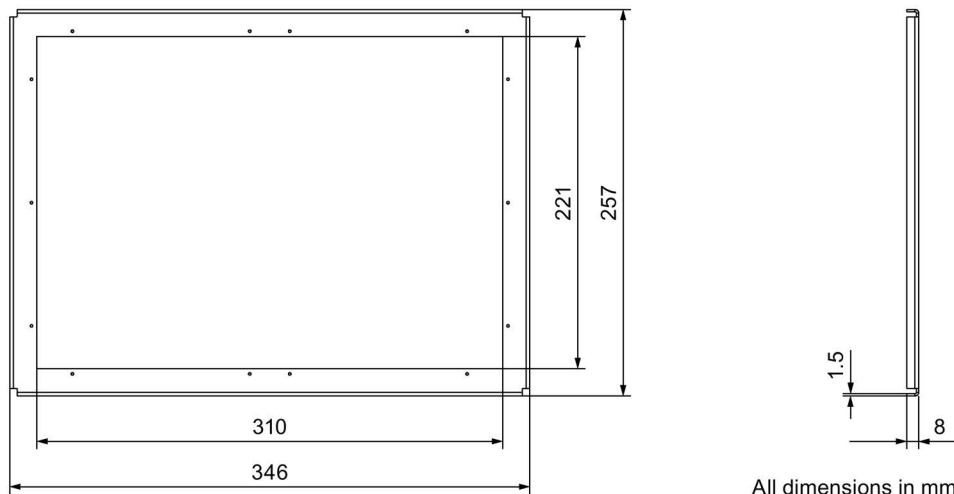
All dimensions in mm

5.2.3 Dimension drawing TP1200 Comfort INOX



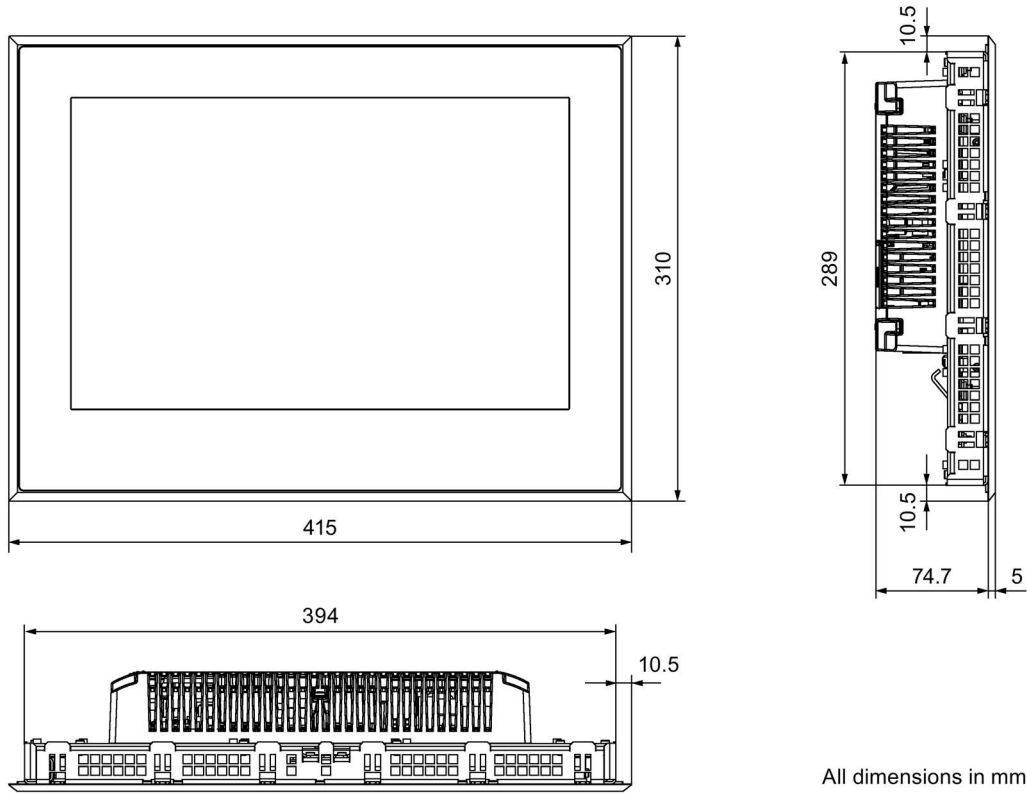
All dimensions in mm

Clamping frame



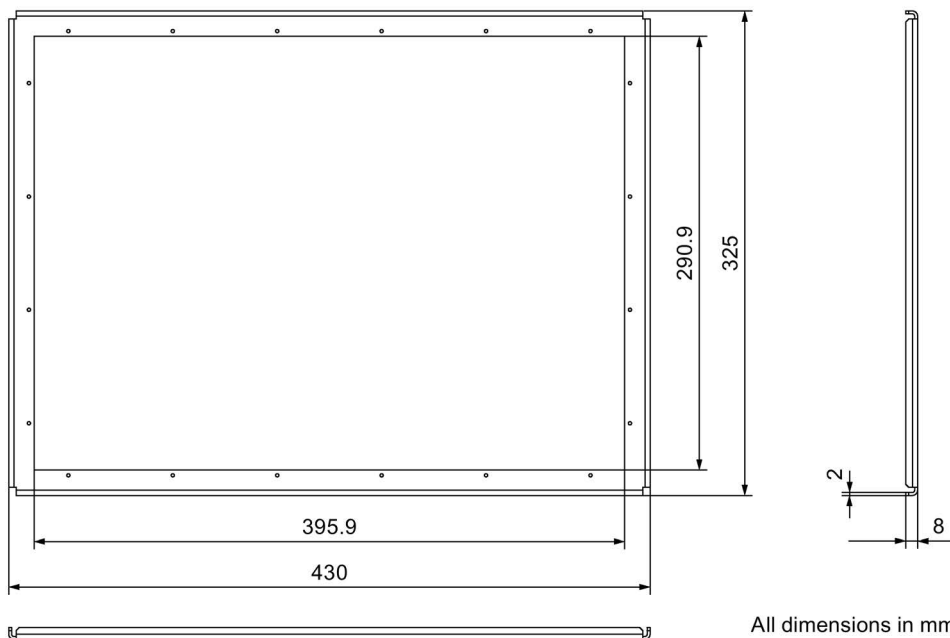
All dimensions in mm

5.2.4 Dimension drawing TP1500 Comfort INOX



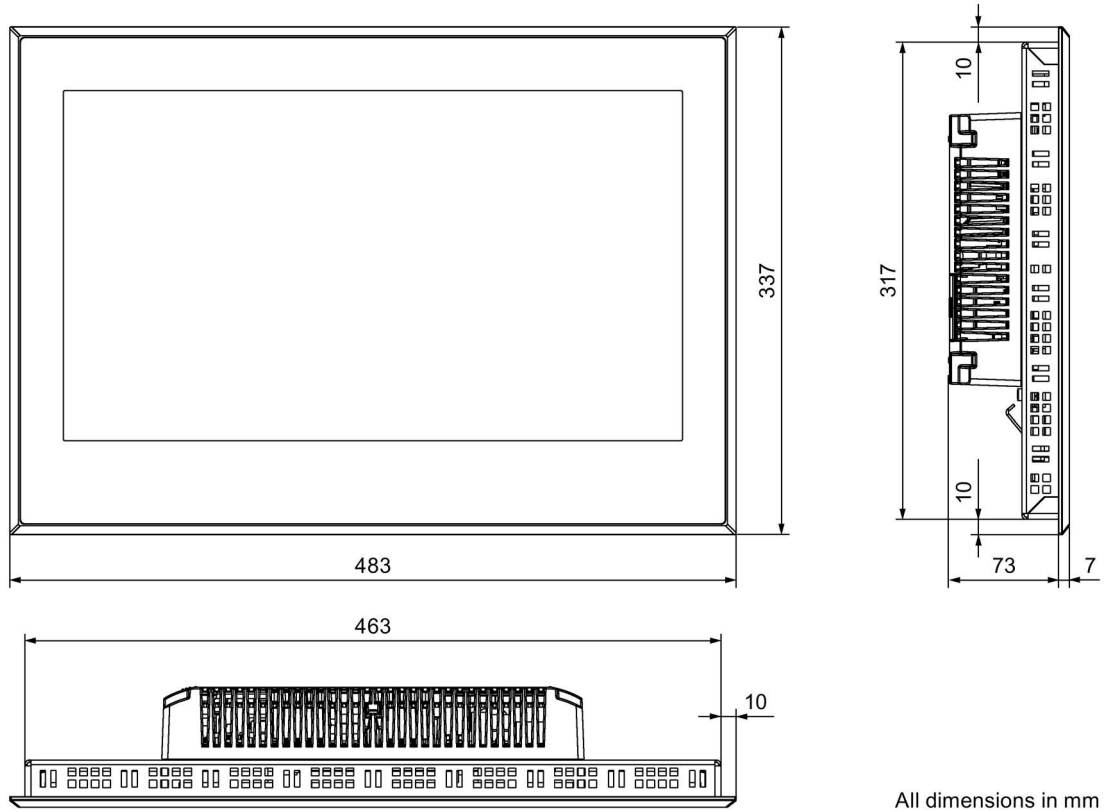
All dimensions in mm

Clamping frame



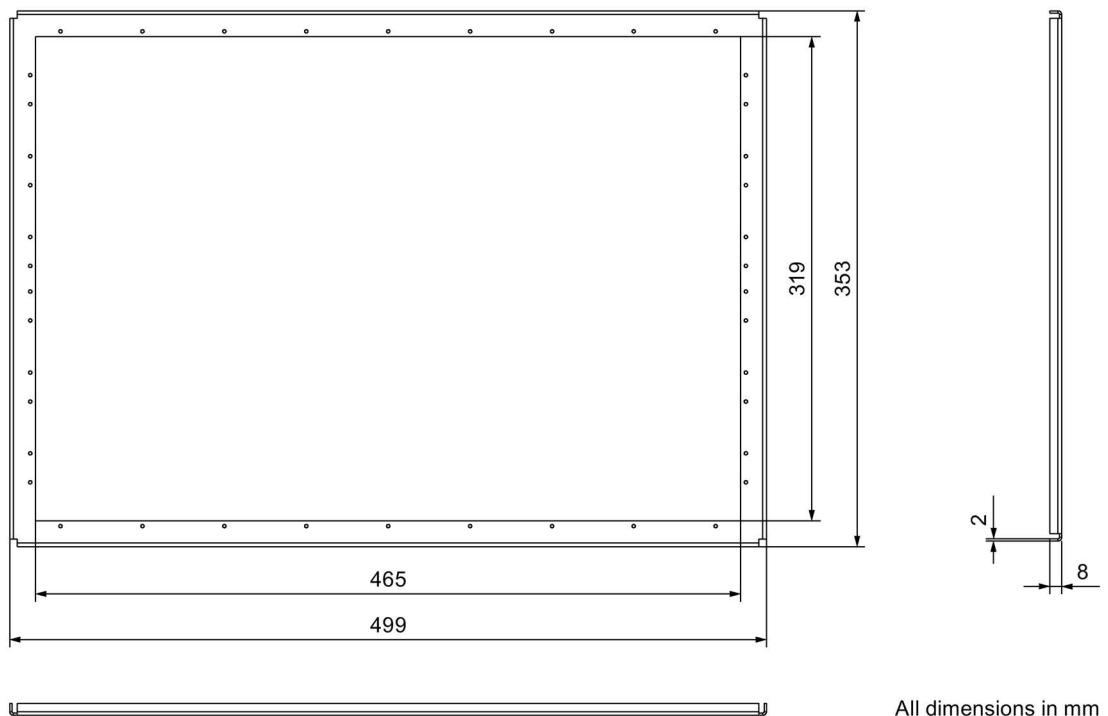
All dimensions in mm

5.2.5 Dimension drawing TP1900 Comfort INOX, ITC1900 INOX



All dimensions in mm

Clamping frame



All dimensions in mm

5.3 Technical specifications

Weight

Device	Weight including clamping frame, gasket and mounting clips, without packaging
TP700 Comfort INOX	approx. 1.9 kg
TP900 Comfort INOX	approx. 2.5 kg
TP1200 Comfort INOX	approx. 3.6 kg
TP1500 Comfort INOX	approx. 6.6 kg
TP1900 Comfort INOX, ITC1900 INOX	approx. 8.8 kg

Material

Component	Material
Front frame	Stainless steel, material number 1.4301, V2A
Front membrane	Polyester-based
Mounting gasket	EPDM, 70 Shore A, black

Protection class and degree of protection

Characteristic	Standard	Classification
Protection class	EN 61131-2	Protection class III
Degree of protection, on the front, for operation at normal atmospheric conditions	EN 60529:1991 + A1:2000 and DIN 40050-9	IP66K
Degree of protection, on the front, for operation in hazardous areas of Zones 2 and 22	See section "Certificates and approvals (Page 26)", "ATEX/IECEx approval" paragraph.	TP700 Comfort INOX, TP1200 Comfort INOX: IP66K TP900 Comfort INOX, TP1500 Comfort INOX, TP1900 Comfort INOX, ITC1900 INOX: IP65
Degree of protection, rear	EN 60529	IP20
Enclosure Type, Front face only	UL50	TP700 Comfort INOX, TP1200 Comfort INOX, TP1900 Comfort INOX, ITC1900 INOX: Type 4X (indoor use only) TP900 Comfort INOX, TP1500 Comfort INOX, Type 4X/Type 12 (indoor use only)

Note that the information on "enclosure type" is only guaranteed if the mounting cutout conforms to the following:

- The device has been installed according to the information provided in this document.
- Material thickness at the mounting cutout:
 - TP700/900/1200 Comfort INOX: 1.5 ... 6 mm
 - TP1500/1900 Comfort INOX and ITC1900 INOX 1.5 ... 5 mm
- Permitted deviation from plane at the mounting cutout: ≤ 0.5 mm
This condition must be fulfilled even for the mounted device.
- Permitted surface roughness in the area of the mounting gasket: ≤ 120 μm , corresponds to Rz 120

5.4 Classification of environmental conditions

5.4.1 Overview

The standards of the IEC 60721 series can be used to classify short-term extreme environmental conditions that can occur during the service life of a product. Structurally, the product is designed in such a way that it can withstand the extreme environmental conditions according to the classification.

The following chapters provide you with information on the classification of the environmental conditions for the device:

- Long-term storage and transport
- Stationary and weather-protected use

5.4.2 Classification for storage

This device exceeds requirements according to IEC 61131-2:2007 "Programmable controllers – Part 2: Equipment requirements and tests" in terms of valid environmental conditions. The following classes apply to the device when stored in the original packaging.

- Mechanical environmental conditions

Standard	Title
IEC 61131-2:2007	Programmable logic controllers – Part 2: Equipment requirements and tests

- Climatic environmental conditions

Standard	Title
IEC 60721-3-1:1997	<p>Classification of groups of environmental parameters and their severities – Section 1: Storage</p> <p>Class 1K1 applies with the following expansions:</p> <ul style="list-style-type: none"> • Temperature ranges: <ul style="list-style-type: none"> – TP700/900 Comfort INOX: –20 ... 60 °C – TP1200 Comfort INOX: –20 ... 55 °C – TP1500 Comfort INOX: –20 ... 50 °C – TP1900 Comfort INOX: –20 ... 45 °C • Range of relative humidity: <ul style="list-style-type: none"> – TP700/900 Comfort INOX: 10 ... 90% – TP1200/1500 Comfort INOX: 10 ... 80% – TP1900 Comfort INOX, ITC1900 INOX: 10 ... 70%

The tests relevant for the specified classes correspond to the tests for classification of shipping. The testing of the device was performed in the original packing.

5.4.3 Classification for shipping

This device exceeds requirements according to IEC 61131-2:2007 "Programmable controllers – Part 2: Equipment requirements and tests" in terms of valid environmental conditions.

The following specifications apply to the device when transported in the original packing.

- Mechanical environmental conditions

Standard	Title
IEC 61131-2:2007	Programmable logic controllers – Part 2: Equipment requirements and tests

- Climatic environmental conditions

Standard	Title
IEC 60721-3-2:1997	<p>Classification of groups of environmental parameters and their severities – Section 2: Transportation</p> <p>Class 2K1 applies with the following extensions:</p> <ul style="list-style-type: none"> • Temperature ranges: <ul style="list-style-type: none"> – TP700/900 Comfort INOX: –20 ... 60 °C – TP1200 Comfort INOX: –20 ... 55 °C – TP1500 Comfort INOX: –20 ... 50 °C – TP1900 Comfort INOX, ITC1900 INOX: –20 ... 45 °C • Range of relative humidity: <ul style="list-style-type: none"> – TP700/900 Comfort INOX: 10 ... 90% – TP1200/1500 Comfort INOX: 10 ... 80% – TP1900 Comfort INOX, ITC1900 INOX: 10 ... 70%

The following specifications apply to the device when transported in the original packing.

The following values are derived for the significant tests from the classes stated. The testing of the device was performed in the original packing.

Test	Value	Comment
Free fall EN 60068-2-32	1 m	5 × free fall, in shipping packaging
Temperature EN 60068-2-1, test Ab and EN 60068-2-2, test Bb	–20 to +60 °C	Cold and dry heat
Air pressure; IEC 60068-2-13	1140 to 660 hPa	Corresponds to an altitude of –1000 to 3500 m
Humidity, relative	<ul style="list-style-type: none"> • TP700/900 Comfort INOX: 10 ... 90% • TP1200/1500 Comfort INOX: 10 ... 80% • TP1900 Comfort INOX, ITC1900 INOX: 10 ... 70% 	No condensation
Shock; IEC 60068-2-27	250 m/s ² , 6 ms	1000 shocks

Tests for mechanical environmental conditions in the transport packaging

The following table shows the type and scope of the tests of the device with regard to mechanical environmental conditions.

Test	Physical variable	Value
Vibration test IEC 60068-2-6:2007-12 Test Fc	Vibration	3 axes, 10 cycles per axis Frequency change: 1 octave / min
	Frequency range	5 to 8.4 Hz deflection 3.5 mm
		8.4 to 150 Hz vibration acceleration 9.8 m/s ²
Shock duration test IEC 60068-2-27:2008-02 Test Ea	Shock form	half-sine
	Acceleration	25 g
	Shock duration	6 ms
	Number of shocks	1000 shocks in each of the three mutually vertical axes.

Tests for climatic environmental conditions in the transport packaging

The following table shows the type and scope of the tests of the device with regard to climatic environmental conditions.

Environmental condition	Physical variable	Value
Cold test EN 60068-2-1:2007-03 Test Ab	Temperature	-20 °C
	Duration	16 h
	Rate of temperature change	20 K/h
Warm test, dry EN 60068-2-2:2007-07 Test Bb	Temperature	60 °C
	Duration	16 h
	Rate of temperature change	20 K/h

5.4.4 Classification for stationary and weather-protected use

The following classes apply when the device is operated.

- Mechanical environmental conditions

Standard	Title
IEC 60721-3-3:1997	Classification of groups of environmental parameters and their severities – Section 3: Stationary use at weatherprotected locations Class 3M3 applies.

- Climatic environmental conditions

Standard	Title
IEC 60721-3-3:1994	Classification of groups of environmental parameters and their severities – Section 3: Stationary use at weatherprotected locations Class 3K3 applies.

The following values are derived for the significant tests from the classes stated. The testing of the device was performed **without** original packing.

Ambient temperature during operation

Type of condition	Mounting position	Permissible range
Temperature, Installation in horizontal format	Vertical	0 ... 50 °C ¹
	inclined, incline max. 35	0 ... 40 °C
Temperature, Installation in portrait format	Vertical	0 ... 40 °C
	inclined, incline max. 35	0 ... 35 °C

¹ TP1900 Comfort INOX and ITC1900 INOX: 0 ... 45 °C

² No pressure difference inside and outside of the enclosure/control cabinet permitted

Humidity and atmospheric pressure during operation

Test	Value, range	Comment
Humidity		
• TP700/TP900 Comfort INOX	10 ... 90%	No condensation
• TP1200/1500 Comfort INOX	10 ... 80%	No condensation
• TP1900 Comfort INOX, ITC1900 INOX	10 ... 70%	No condensation
Atmospheric pressure ¹	1140 to 795 hPa	Corresponds to an altitude of -1000 m to 2000 m

¹ No pressure difference inside and outside of the enclosure/control cabinet permitted

Observe the Notes on use (Page 12).

In addition, observe the climate diagram in the following section and the information on the extended inclination and ambient temperature range, see section "Selecting a mounting position (Page 14)".

Note

System components connected to the HMI device, such as the power supply, must also be suitable for operation under the corresponding rated conditions.

Tests for mechanical environmental conditions during operation

The following table shows the type and scope of the tests of the device with regard to mechanical environmental conditions.

Test	Physical variable	Value
Vibration test IEC 60068-2-6:2007-12 Test Fc	Vibration	3 axes, 10 cycles per axis Frequency change 1 octave/min
	Frequency range	5 to 8.4 Hz, deflection 3.5 mm
		8.4 to 200 Hz, vibration acceleration 9.8 m/s ²
Shock test IEC 60068-2-27:2008-02 Test Ea	Shock form	half-sine
	Acceleration	15 g
	Shock duration	11 ms
	Number of shocks	3 per axis in positive and negative direction

5.4 Classification of environmental conditions

Test	Physical variable	Value
Fall EN 60068-2-31:2009 Test Ec	Fall height	1.0 m
	Number of strains	5

Tests for climatic environmental conditions during operation

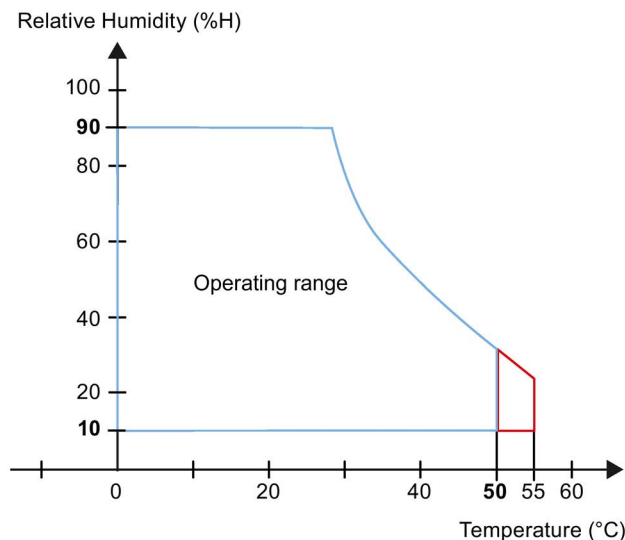
The following table shows the type and scope of the tests of the device with regard to climatic environmental conditions.

Environmental condition	Physical variable	Value
Cold test EN 60068-2-1:2007-03 Test Ad	Temperature	0 °C
	Duration	16 h
	Speed of the temperature change	10 K/h
Warm test, dry EN 60068-2-2:2007-07 Test Bd	Temperature	
	• TP700/900/1200/1500 Comfort INOX	50 °C
	• TP1900 Comfort INOX, ITC1900 INOX	45 °C
	Duration	96 h
	Speed of the temperature change	10 K/h

5.4.5 Climate diagram

The diagram below shows the extended range for temperature and humidity in uninterrupted duty based on IEC 60721-3-3 class 3K3 using the TP700/TP900 Comfort INOX as an example. Information on the maximum permitted humidity of the other devices is available in the section "Classification for stationary and weather-protected use (Page 38)".

The information applies to a device installed in landscape without inclination.



Red: Extended temperature range of 7-15" devices; see section "Selecting a mounting position (Page 14)".

Technical Support

A.1 Service and support

You can find additional information and support for the products described on the Internet at the following addresses:

- Technical support (<https://support.industry.siemens.com>)
- Support request form (<http://www.siemens.com/automation/support-request>)
- After Sales Information System SIMATIC IPC/PG (<http://www.siemens.com/asis>)
- SIMATIC Documentation Collection (<http://www.siemens.com/simatic-tech-doku-portal>)
- Your local representative
(<http://www.automation.siemens.com/mcms/aspa-db/en/Pages/default.aspx>)
- Training center (<http://sitrain.automation.siemens.com/sitrainworld/?AppLang=en>)
- Industry Mall (<https://mall.industry.siemens.com>)

When contacting your local representative or Technical Support, please have the following information at hand:

- MLFB of the device
- BIOS version for industrial PC or image version of the device
- Other installed hardware
- Other installed software

Tools & downloads

Please check regularly if updates and hotfixes are available for download to your device. The download area is available on the Internet at the following link:

After Sales Information System SIMATIC IPC/PG (<http://www.siemens.com/asis>)

B

List of abbreviations

DC	Direct Current
ESD	Components and modules endangered by electrostatic discharge
EMC	Electromagnetic Compatibility
EN	European standard
FDA	Food and Drug Administration
GND	Ground
HF	High Frequency
IEC	International Electronic Commission
IP	Internet Protocol
LED	Light Emitting Diode
TFT	Thin Film Transistor
UL	Underwriter's Laboratory
USB	Universal Serial Bus