

DT Research, Inc.
 San Jose, CA 95131, USA
 www.dtresearch.com
 Product Name: Rugged Convertible Laptop
 Model No.: LT330
 Input: 19V $\bar{\equiv}$ 3.42A

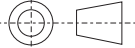
FC
 Contains FCC ID: YE3600-AX200NG

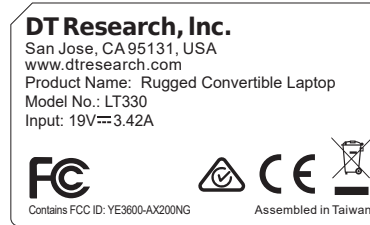
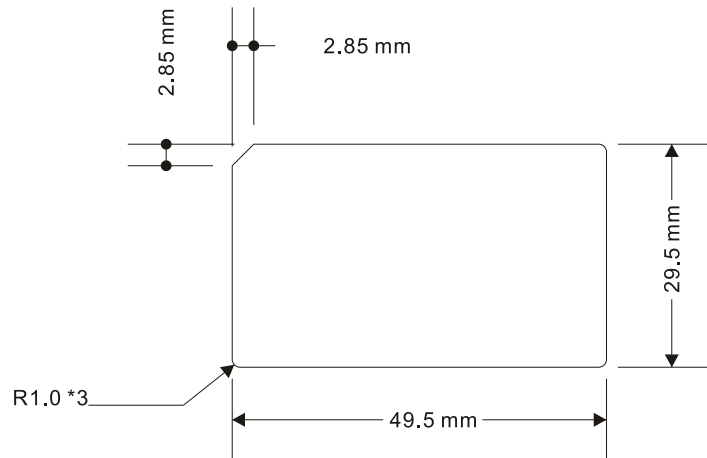
CE
 Assembled in Taiwan

DT Research, Inc.
 San Jose, CA 95131, USA
 www.dtresearch.com
 Product Name: Rugged Convertible Laptop
 Model No.: LT330
 Input: 19V $\bar{\equiv}$ 3.42A

FC
 Contains FCC ID: YE3600-AX200NG

Assembled in Taiwan

DT Research, Inc. Taiwan Branch					
 DIM: MM (INCH) TOL UNLESS NOTED .X ± 0.1 .XX ± 0.1 ANGLE $\pm 0.1^\circ$	PART NAME	LT330 label location	UNIT	MM	APPROVE
	PART NO.		SCALE	1:1	DESIGN
	MATERIAL	8B35 t= 0.254	DON'T SCALE DRAWING		DRAWN Wing
	DWG. NO.	LT330LBLL01a	DATE: 09/07/20'	REV: 00	SH: 1/1



Color	Background- COOL BLACK Letter/LOGO/Block - WHITE
Material	8B35 t= 0.254
Adhesive	3M 467

DT Research, Inc. Taiwan Branch					
DIM: MM (INCH) TOL UNLESS NOTED .X ±0.1 .XX ±0.1 ANGLE ±0.1°	PART NAME	Model Label LT330	UNIT	MM	APPROVE
	PART NO.		SCALE	1:1	DESIGN
	MATERIAL	8B35 t= 0.254	DON'T SCALE DRAWING		DRAWN Wing
	DWG. NO.	LT330LB01a	DATE: 09/09/20'	REV: 00	SH: 1/1