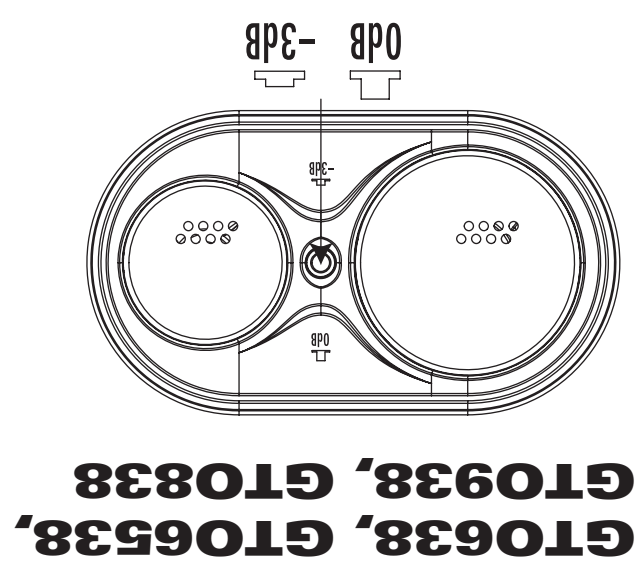
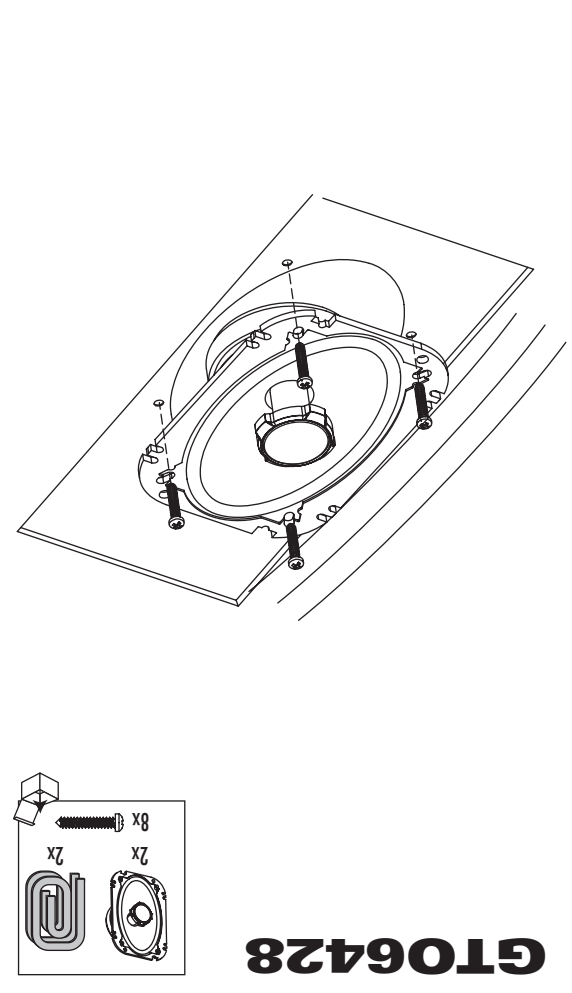


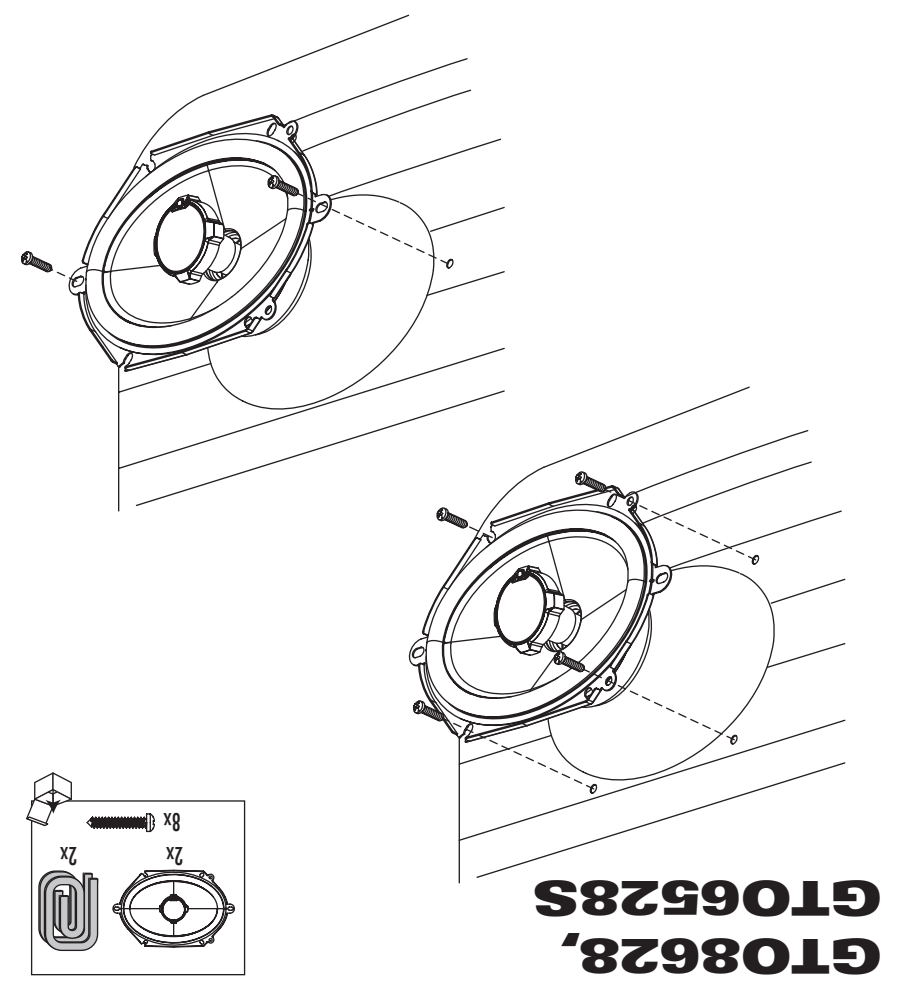
GT0428, GT0528, GT0628, GT0638, GT06528, GT06538, GT0838, GT0928, GT0938, GT0328, GT08628



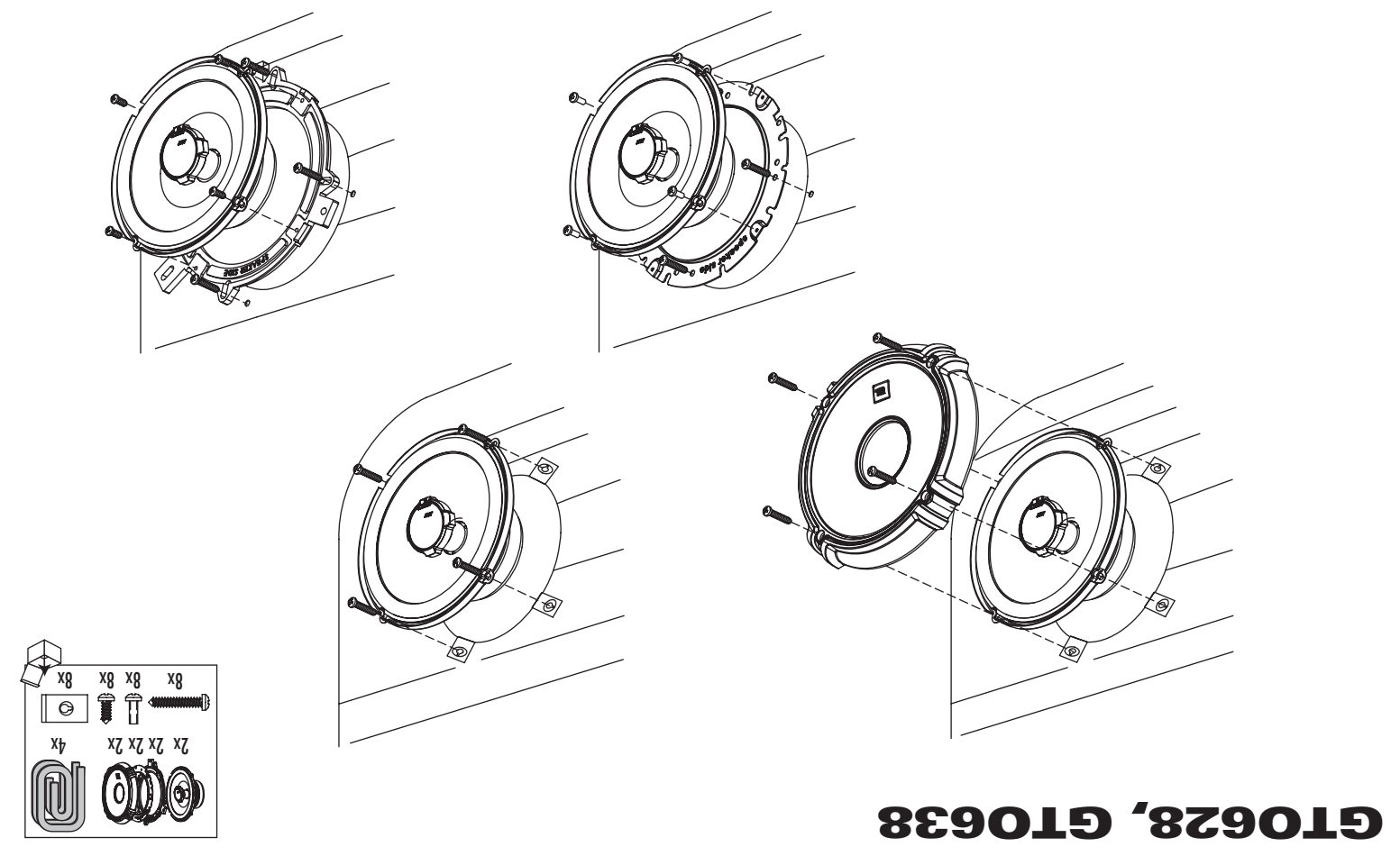
GT0638, GT06538, GT0938, GT0838



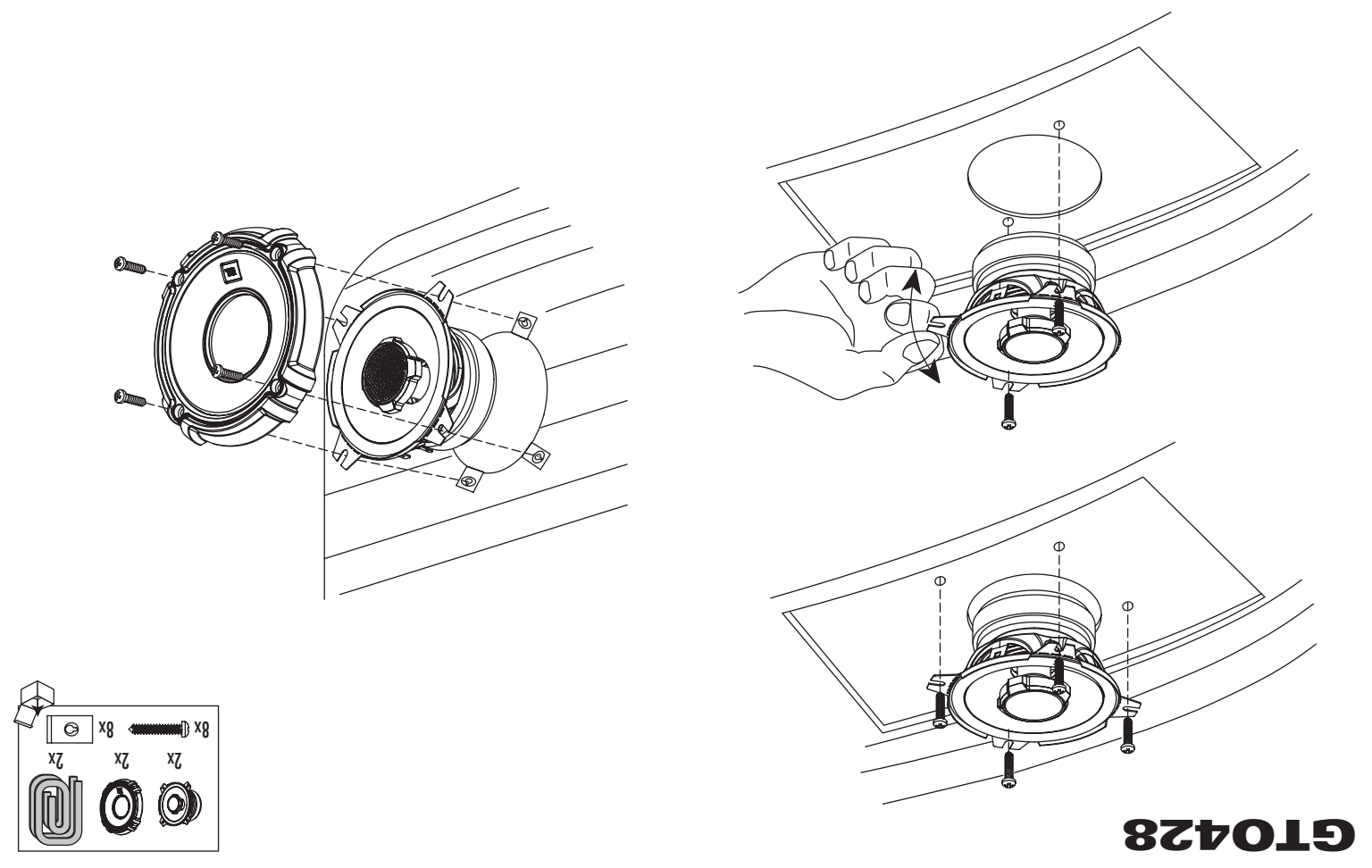
GT06428



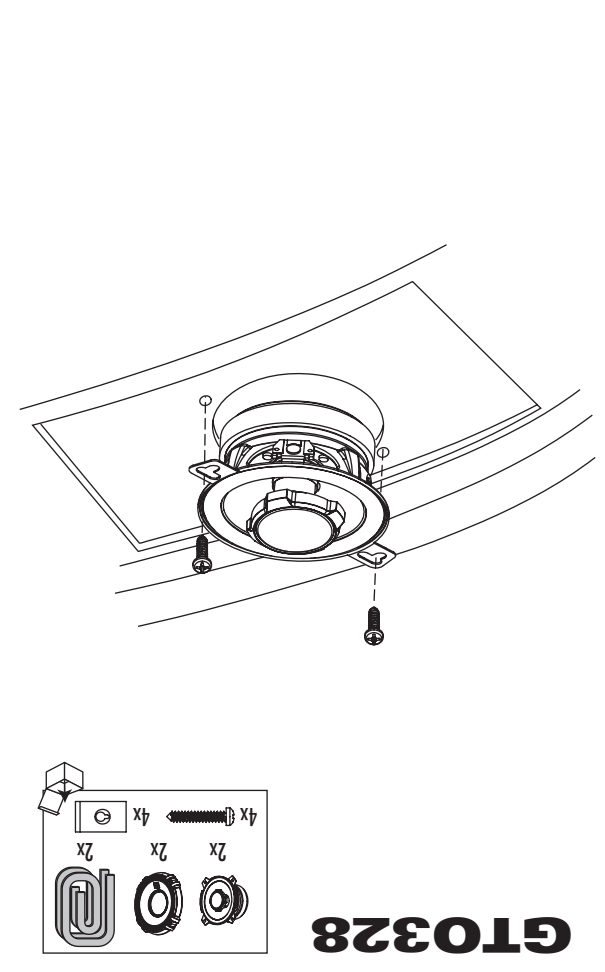
GT08628, GT06528S



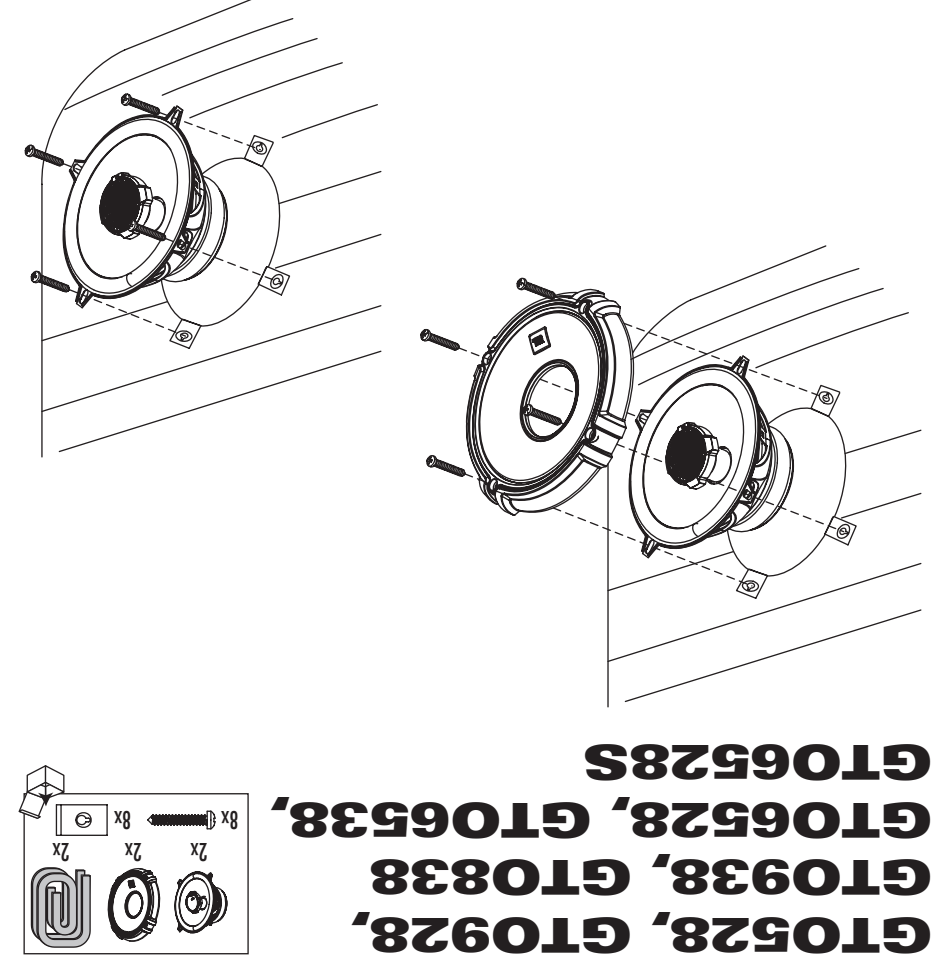
GT0628, GT0638



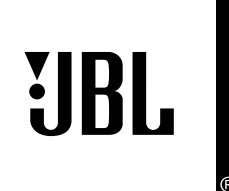
GT0428



GT0328



GT0528, GT0928, GT0938, GT0838, GT06528, GT06538



GRAND TOURING® SERIES

- GT0428**
- GT0528**
- GT0628**
- GT0638**
- GT06528**
- GT06528S**
- GT06538**
- GT0838**
- GT0928**
- GT0938**
- GT0328**
- GT06428**
- GT08628**



Declaration of Conformity
CE

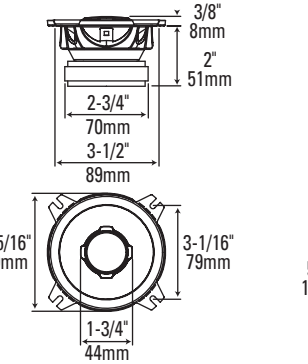
We, Harman Consumer Group, Inc.
2, route de Tours
72500 Château du Loir
France
declare in own responsibility that the products described in this owner's manual are in compliance with technical standards:
EN 61000-6-3:2001
EN 61000-6-1:2001
Klaus Leberitz
Harman Consumer Group, Inc.
Château du Loir, France 4/08

Designed and engineered in the USA.
A valid serial number is required for warranty coverage.
Features, specifications and appearance are subject to change without notice.
These products are designed for mobile applications and are not intended for connection to the mains.
Harman Consumer Group, Inc., 250 Crossways Park Drive, Woodbury, NY 11797 USA • www.jbl.com
© 2008 Harman International Industries, Incorporated. All rights reserved. Part No. GT0ME0M4/08
JBL and Grand Touring are trademarks of Harman International Industries, Incorporated, registered in the United States and/or other countries.
H A Harman International Company

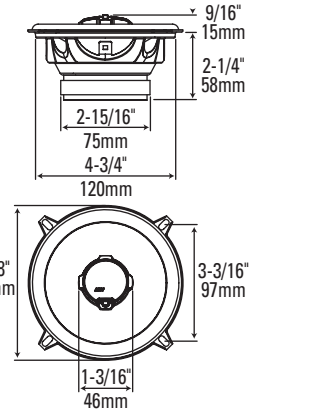


www.jbl.com

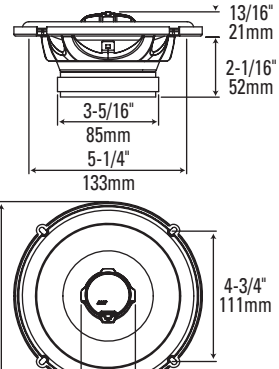
GTO428



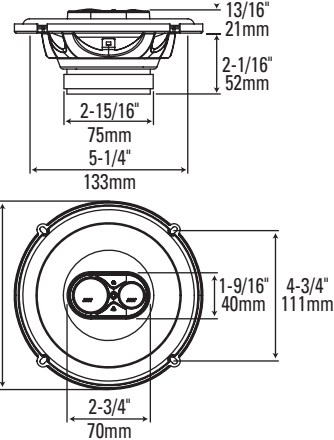
GTO528



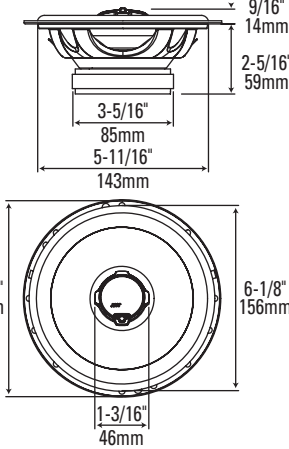
GTO628



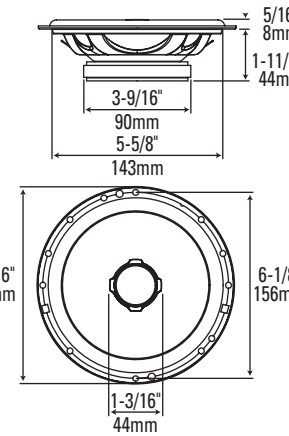
GTO638



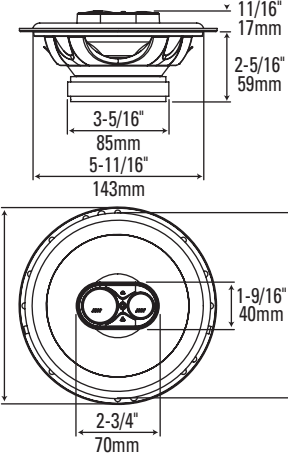
GTO6528



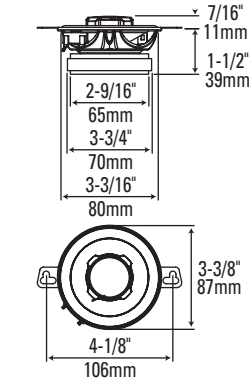
GTO6528S



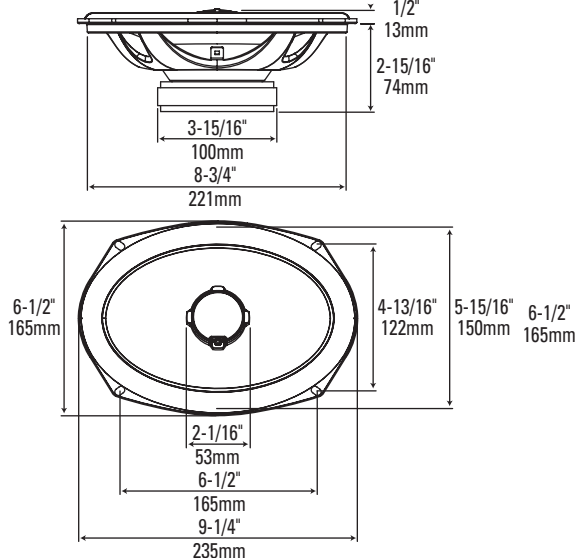
GTO6538



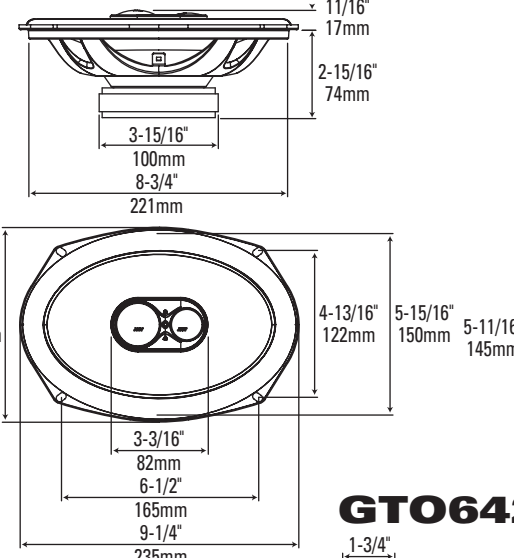
GTO328



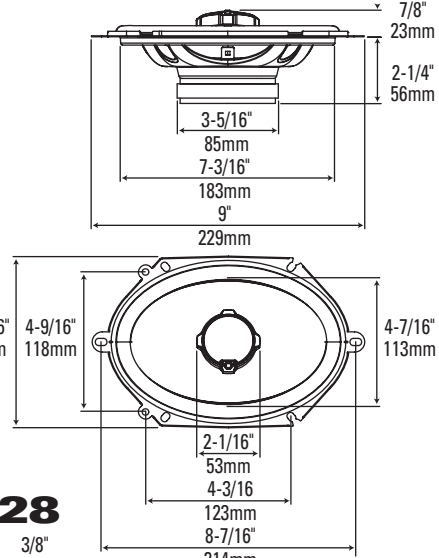
GTO928



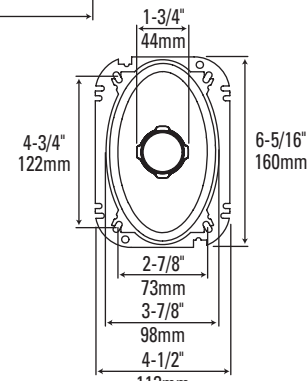
GTO938



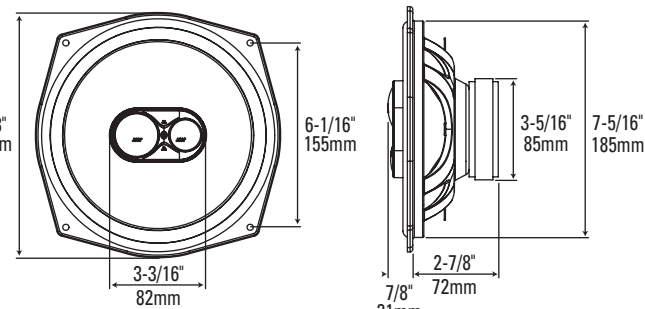
GTO8628



GTO6428



GTO838



	GTO428	GTO528	GTO628	GTO638	GTO6528	GTO6528S	GTO6538	GTO838	GTO928	GTO938	GTO328	GTO6428	GTO8628
BL (T- π)	3.00	3.65	4.16	3.75	4.02	3.49	3.42	5.01	4.73	4.64	2.38	3.88	4.02
DCR (ohms)	2.29	2.63	2.28	2.58	2.22	2.29	2.28	2.47	2.31	2.35	2.35	2.25	2.25
Mms (g)	4.94	8.78	13.51	13.44	12.50	11.57	9.60	22.69	24.65	23.00	2.98	8.34	16.04
Sd (sq cm)	50.3	86.6	122.7	122.7	130.6	130.6	130.6	213.8	224.0	224.0	33.2	80.0	163.0
Cms (μ m/N)	259	340	306	265	233	233	305	620	321	323	458	132	242
Vas (l)	0.92	3.58	6.47	5.61	5.58	5.58	7.31	39.81	22.62	22.76	0.71	1.19	9.03
Fs (Hz)	140.7	92.1	78.3	84.3	93.3	96.9	93.0	42.4	56.6	58.4	136.2	151.7	80.8
Qes	1.11	1.00	0.88	1.31	1.05	1.32	1.09	0.60	0.90	0.92	1.06	1.14	1.13
Qms	5.07	6.38	7.79	7.84	9.75	7.09	8.90	11.04	9.23	9.24	5.26	8.93	10.08
Qt	0.91	0.87	0.79	1.12	0.95	1.12	0.97	0.56	0.82	0.84	0.88	1.01	1.02

GB	SPECIFICATIONS	GTO428	GTO528	GTO628	GTO638	GTO6528	GTO6528S	GTO6538
Type:		4" 2-Way	5-1/4" 2-Way	6-1/2" · 6-3/4" 2-Way	6-1/2" · 6-3/4" 3-Way	165mm 2-Way	165mm 2-Way Shallow	165mm 3-Way
Nominal Impedance:	2 Ohms	2 Ohms	2 Ohms	2 Ohms	2 Ohms	2 Ohms	2 Ohms	2 Ohms
Power Handling, RMS:	35W	45W	60W	60W	60W	55W	60W	60W
Power Handling, Peak:	105W	135W	180W	180W	180W	165W	180W	180W
Frequency Response:	75Hz – 21kHz	65Hz – 21kHz	50Hz – 21kHz	50Hz – 21kHz	50Hz – 21kHz	55Hz – 21kHz	50Hz – 21kHz	50Hz – 21kHz
Sensitivity (2.83V, 1m):	90dB	91dB	92dB	92dB	92dB	92dB	92dB	92dB
Type:		8" 3-Way	6" x 9" 2-Way	6" x 9" 3-Way	3-1/2" 2-Way	2 Ohms	2 Ohms	2 Ohms
Nominal Impedance:	2 Ohms	2 Ohms	2 Ohms	2 Ohms	2 Ohms	2 Ohms	2 Ohms	2 Ohms
Power Handling, RMS:	100W	100W	100W	25W	40W	60W	60W	60W
Power Handling, Peak:	300W	300W	300W	75W	120W	180W	180W	180W
Frequency Response:	40Hz – 21kHz	45Hz – 21kHz	45Hz – 21kHz	90Hz – 20kHz	75Hz – 21kHz	50Hz – 21kHz	50Hz – 21kHz	50Hz – 21kHz
Sensitivity (2.83V, 1m):	94dB	94dB	94dB	89dB	91dB	92dB	92dB	92dB

GENERAL CARE: The loudspeaker grilles may be cleaned with a damp cloth. Do not use any cleaners or solvents on the grilles or the speaker cones.
WARRANTY: Grand Touring® Series speakers are warranted against defects. The duration of the speaker's warranty depends on the laws in the country in which it was purchased. Your local JBL® car audio retailer can help you determine the length of your warranty. To register your product, please visit www.jbl.com.

DE	TECHNISCHE DATEN	GTO428	GTO528	GTO628	GTO638	GTO6528	GTO6528S	GTO6538
Type:		4" 2-Wege	5-1/4" 2-Wege	6-1/2" · 6-3/4" 2-Wege	6-1/2" · 6-3/4" 3-Wege	165mm 2-Wege	165mm 2-Wege auf Schallwand vormontiert	165mm 3-Wege
Nennimpedanz:	2 Ohm	2 Ohm	2 Ohm	2 Ohm	2 Ohm	2 Ohm	2 Ohm	2 Ohm
Belastbarkeit, RMS:	35 Watt	45 Watt	60 Watt	60 Watt	60 Watt	55 Watt	60 Watt	60 Watt
Belastbarkeit, Spitze:	105 Watt	135 Watt	180 Watt	180 Watt	180 Watt	165 Watt	180 Watt	180 Watt
Frequenzbereich:	75Hz – 21kHz	65Hz – 21kHz	50Hz – 21kHz	50Hz – 21kHz	50Hz – 21kHz	55Hz – 21kHz	50Hz – 21kHz	50Hz – 21kHz
Wirkungsgrad @ 2,83V/1 meter:	90 dB	91 dB	92 dB	92 dB	92 dB	92 dB	92 dB	92 dB
Type:		8" 3-Wege	6" x 9" 2-Wege	6" x 9" 3-Wege	3-1/2" 2-Wege	2 Ohms	2 Ohms	2 Ohms
Nennimpedanz:	2 Ohm	2 Ohm	2 Ohm	2 Ohm	2 Ohms	2 Ohms	2 Ohms	2 Ohms
Belastbarkeit, RMS:	100 Watt	100 Watt	100 Watt	25 Watt	40 Watt	60 Watt	60 Watt	60 Watt
Belastbarkeit, Spitze:	300 Watt	300 Watt	300 Watt	75 Watt	120 Watt	180 Watt	180 Watt	180 Watt
Frequenzbereich:	40Hz – 21kHz	45Hz – 21kHz	45Hz – 21kHz	90Hz – 20kHz	75Hz – 21kHz	50Hz – 21kHz	50Hz – 21kHz	50Hz – 21kHz
Wirkungsgrad @ 2,83V/1 meter:	94 dB	94 dB	94 dB	89 dB	91 dB	92 dB	92 dB	92 dB

ALLGEMEINE PFLEGE: Die Köpfe der Frontabdeckungen mit einem feuchten Tuch abwischen. Verwenden Sie bitte keine Reinigungsmittel oder Polituren beim Reinigen der Frontabdeckungen und Membranen.
GARANTIE: Sollte ein Defekt auftreten, können Sie die Herstellergarantie in Anspruch nehmen. Die Laufzeit dieser Garantie hängt von den Bestimmungen jenes Landes ab, in dem das Produkt gekauft wurde. Ihr lokaler JBL Fachhändler wird die Garantiedauer für Sie ermitteln. Sie können Ihr Produkt unter www.jbl.com registrieren.

F	CARACTÉRISTIQUES	GTO428	GTO528	GTO628	GTO638	GTO6528	GTO6528S	GTO6538
Type:		4" 2-voies	5-1/4" 2-voies	6-1/2" · 6-3/4" 2-voies	6-1/2" · 6-3/4" 3-voies	165 mm 2-voies	165 mm à 2 voies Faible profondeur	165 mm 3-voies
Impédance nominale :	2 Ohms	2 Ohms	2 Ohms	2 Ohms	2 Ohms	2 Ohms	2 Ohms	2 Ohms
Tenue en puissance, RMS :	35W	45W	60W	60W	60W	55W	60W	60W
Tenue en puissance, max. :	105W	135W	180W	180W	180W	165W	180W	180W
Réponse en fréquence :	75Hz – 21kHz	65Hz – 21kHz	50Hz – 21kHz	50Hz – 21kHz	50Hz – 21kHz	55Hz – 21kHz	50Hz – 21kHz	50Hz – 21kHz
Sensibilité @ 2,83V/1m :	90dB	91dB	92dB	92dB	92dB	92dB	92dB	92dB
Type:		8" 3-voies	6" x 9" 2-voies	6" x 9" 3-voies	3-1/2" 2-voies	2 Ohms	2 Ohms	2 Ohms
Impédance nominale :	2 Ohms	2 Ohms	2 Ohms	2 Ohms	2 Ohms	2 Ohms	2 Ohms	2 Ohms
Tenue en puissance, RMS :	100W	100W	100W	25W	40W	60W	60W	60W
Tenue en puissance, max. :	300W	300W	300W	75W	120W	180W	180W	180W
Réponse en fréquence :	40Hz – 21kHz	45Hz – 21kHz	45Hz – 21kHz	90Hz – 20kHz	75Hz – 21kHz	50Hz – 21kHz	50Hz – 21kHz	50Hz – 21kHz
Sensibilité @ 2,83V/1m :	94dB	94dB	94dB	89dB	91dB	92dB	92dB	92dB

ENTRETIEN GÉNÉRAL : Les grilles d'enceinte peuvent être nettoyées avec un chiffon humide. N'utilisez aucun nettoyant ou solvant sur les grilles ou les cônes d'enceinte.
GARANTIE : Les Grand Touring® sont garantis contre tout défaut. La durée de garantie du caisson dépend des lois du pays dans lequel il a été acheté. Votre détaillant local JBL d'audio d'automobile peut vous aider à déterminer la durée de la garantie. Pour enregistrer votre produit, veuillez nous rendre visite sur www.jbl.com.

ESP	ESPECIFICACIONES	GTO428	GTO528	GTO628	GTO638	GTO6528	GTO6528S	GTO6538
Type:		4" 2-voies	5-1/4" 2-voies	6-1/2" · 6-3/4" 2-voies	6-1/2" · 6-3/4" 3-voies	165 mm 2-voies	165 mm à 2 voies Faible profondeur	165 mm 3-voies
Impedancia nominal:	2 ohmios	2 ohmios	2 ohmios	2 ohmios	2 ohmios	2 ohmios	2 ohmios	2 ohmios
Manejo de potencia, RMS:	35W	45W	60W	60W	60W	55W	60W	60W
Manejo de potencia, pico:	105W	135W	180W	180W	180W	165W	180W	180W
Respuesta en frecuencia:	75Hz – 21kHz	65Hz – 21kHz	50Hz – 21kHz	50Hz – 21kHz	50Hz – 21kHz	55Hz – 21kHz	50Hz – 21kHz	50Hz – 21kHz
Sensibilidad 2.83V @ 1 metro:	90dB	91dB	92dB	92dB	92dB	92dB	92dB	92dB
Type:		8" 3-voies	6" x 9" 2-voies	6" x 9" 3-voies	3-1/2" 2-voies	2 ohmios	2 ohmios	2 ohmios
Impedancia nominal:	2 ohmios	2 ohmios	2 ohmios	2 ohmios	2 ohmios	2 ohmios	2 ohmios	2 ohmios
Manejo de potencia, RMS:	100W	100W	100W	25W	40W	60W	60W	60W
Manejo de potencia, pico:	300W	300W	300W	75W	120W	180W	180W	180W
Respuesta en frecuencia:	40Hz – 21kHz	45Hz – 21kHz	45Hz – 21kHz	90Hz – 20kHz	75Hz – 21kHz	50Hz – 21kHz	50Hz – 21kHz	50Hz – 21kHz
Sensibilidad 2.83V @ 1 metro:	94dB	94dB	94dB	89dB	91dB	92dB	92dB	92dB

CUIDADOS GENERALES: Las rejillas del altavoz pueden limpiarse con un paño húmedo. No utilice líquidos limpiadores ni disolventes en las rejillas ni en los conos del altavoz.
GARANTÍA: Las Grand Touring® están garantizadas contra cualquier defecto. La duración de la garantía de la caja varía en función de las leyes del país en el que se adquirió. Su distribuidor local de JBL car audio le ayudará a determinar la duración de su garantía. Para registrar el producto, visítenos en www.jbl.com.

NED	SPECIFICATIE	GTO428	GTO528	GTO628	GTO638	GTO6528	GTO6528S	GTO6538
Type:		4" 2-voie	5-1/4" 2-voie	6-1/2" · 6-3/4" 2-voie	6-1/2" · 6-3/4" 3-voie	165mm 2-voie	165mm 2-voie Superficie	165mm 3-voie
Nominale impedantie:	2 Ohm	2 Ohm	2 Ohm	2 Ohm	2 Ohm	2 Ohm	2 Ohm	2 Ohm
Belastbaarheid RMS:	35W	45W	60W	60W	60W	55W	60W	60W
Belastbaarheid Piek:	105W	135W	180W	180W	180W	165W	180W	180W
Frequentiebereik:	75Hz – 21kHz	65Hz – 21kHz	50Hz – 21kHz	50Hz – 21kHz	50Hz – 21kHz	55Hz – 21kHz	50Hz – 21kHz	50Hz – 21kHz
Gevoeligheid 2,83V @ 1 meter:	90dB	91dB	92dB	92dB	92dB	92dB	92dB	92dB
Type:		8" 3-voie	6" x 9" 2-voie	6" x 9" 3-voie	3-1/2" 2-voie	2 Ohm	2 Ohm	2 Ohm
Nominale impedantie:	2 Ohm	2 Ohm	2 Ohm	2 Ohm	2 Ohm	2 Ohm	2 Ohm	2 Ohm
Belastbaarheid RMS:	100W	100W	100W	25W	40W	60W	60W	60W
Belastbaarheid Piek:	300W	300W	300W	75W	120W	180W	180W	180W
Frequentiebereik:	40Hz – 21kHz	45Hz – 21kHz	45Hz – 21kHz	90Hz – 20kHz	75Hz – 21kHz	50Hz – 21kHz	50Hz – 21kHz	50Hz – 21kHz
Gevoeligheid 2,83V @ 1 meter:	94dB	94dB	94dB	89dB	91dB	92dB	92dB	92dB

ALGEMEEN: De luidsprekergrills kunnen met een vochtige doek worden schoongemaakt. Gebruik nooit schoonmaakmiddelen of oplosmiddelen om de grill of de conus schoon te maken.
GARANTIE: Grand Touring® behuizingen worden gegarandeerd op fabrieksfouten. De duur van de garantie wordt bepaald door wettelijke regelingen in het land van aankoop. Uw lokale JBL car audio dealer kan u helpen aan nadere gegevens. Om uw product te registreren bezoek u ons op www.jbl.com.

ITA	SPECIFICHE	GTO428	GTO528	GTO628	GTO638	GTO6528	GTO6528S	GTO6538
Type:		4" 2-voie	5-1/4" 2-voie	6-1/2" · 6-3/4" 2-voie	6-1/2" · 6-3/4" 3-voie	165mm 2-voie	165mm 2-voie Superficie	165mm 3-voie
Impedenza nominale:	2 Ohm	2 Ohm	2 Ohm	2 Ohm	2 Ohm	2 Ohm	2 Ohm	2 Ohm
Tenuta in potenza, RMS:	35W	45W	60W	60W	60W	55W	60W	60W
Tenuta in potenza, Picco:	105W	135W	180W	180W	180W	165W	180W	180W
Risposta in frequenza:	75Hz – 21kHz	65Hz – 21kHz	50Hz – 21kHz	50Hz – 21kHz	50Hz – 21kHz	55Hz – 21kHz	50Hz – 21kHz	50Hz – 21kHz
Sensibilità 2.83V @ 1 metro:	90dB	91dB	92dB	92dB	92dB	92dB	92dB	92dB
Type:		8" 3-voie	6" x 9" 2-voie	6" x 9" 3-voie	3-1/2" 2-voie	2 Ohm	2 Ohm	2 Ohm
Impedenza nominale:	2 Ohm	2 Ohm	2 Ohm	2 Ohm	2 Ohm	2 Ohm	2 Ohm	2 Ohm
Power Handling, RMS:	100W	100W	100W	25W	40W	60W	60W	60W
Tenuta in potenza, Picco:	300W	300W	300W	75W	120W	180W	180W	180W
Risposta in frequenza:	40Hz – 21kHz	45Hz – 21kHz	45Hz – 21kHz	90Hz – 20kHz	75Hz – 21kHz	50Hz – 21kHz	50Hz – 21kHz	50Hz – 21kHz
Sensibilità 2.83V @ 1 metro:	94dB	94dB	94dB	89dB	91dB	92dB	92dB	92dB

MANUTENZIONE GENERALE: Le griglie degli altoparlanti possono essere pulite con un panno umido. Non utilizzare detersivi o solventi sulle griglie o sui coni degli altoparlanti.
GARANZIA: Viene garantita la mancanza di difetti nelle strutture Grand Touring® Series. La durata della garanzia delle strutture varia in base alle leggi vigenti nel Paese in cui vengono acquistate. Per informazioni sulla durata della garanzia, rivolgersi al rivenditore di sistemi audio per auto JBL più vicino. Per registrare un prodotto, è possibile visitare il sito www.jbl.com.

SV	SPECIFIKATIONER	GTO428	GTO528	GTO628	GTO638	GTO6528	GTO6528S	GTO6538
Type:		4" 2-Way	5-1/4" 2-Way	6-1/2" · 6-3/4" 2-Way	6-1/2" · 6-3/4" 3-Way	165mm 2-Way	165mm 2-Way Shallow	165mm 3-Way
Nominal Impedance:	2 ohm	2 ohm	2 ohm	2 ohm	2 ohm	2 ohm	2 ohm	2 ohm
Power Handling, RMS:	35 W	45 W	60 W	60 W	60 W	55 W	60 W	60 W
Power Handling, Peak:	105 W	135 W	180 W	180 W	180 W	165 W	180 W	180 W
Frequency Response:	75 Hz – 21 kHz	65 Hz – 21 kHz	50 Hz – 21 kHz	50 Hz – 21 kHz	50 Hz – 21 kHz	55 Hz – 21 kHz	50 Hz – 21 kHz	50 Hz – 21 kHz
Sensitivity (2.83V, 1m):	90 dB	91 dB	92 dB	92 dB	92 dB	92 dB	92 dB	92 dB
Type:		8" 3-Way	6" x 9" 2-Way	6" x 9" 3-Way	3-1/2" 2-Way	2 ohm	2 ohm	2 ohm
Nominal Impedance:	2 ohm	2 ohm	2 ohm	2 ohm	2 ohm	2 ohm	2 ohm	2 ohm
Power Handling, RMS:	100 W	100 W	100 W	25 W	40 W	60 W	60 W	60 W
Power Handling, Peak:	300 W	300 W	300 W	75 W	120 W	180 W	180 W	180 W
Frequency Response:	40 Hz – 21 kHz	45 Hz – 21 kHz	45 Hz – 21 kHz	90 Hz – 20 kHz	75 Hz – 21 kHz	50 Hz – 21 kHz	50 Hz – 21 kHz	50 Hz – 21 kHz