



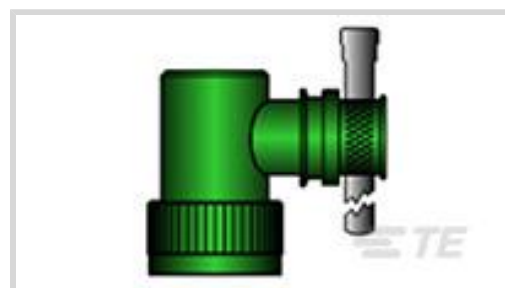
RAYCHEM | RAYCHEM AS85049

TE Internal #: CW4629-000

Unscreened Backshells & Adapters, Right Angle, Aluminum Alloy,
Electroless Nickel, Cable Entry Diameter .812 in [20.62 mm],
RAYCHEM AS85049

[View on TE.com >](#)

Connectors > Connector Backshells & Adapters > Unscreened Backshells & Adapters



Body Orientation: **Right Angle**

Primary Product Material: **Aluminum Alloy**

Primary Product Plating Material: **Electroless Nickel**

Cable Entry Diameter: **20.62 mm [.812 in]**

Sealable: **No**

Features

Product Type Features

Sealable	No
----------	----

Body Features

Primary Product Material	Aluminum Alloy
Primary Product Plating Material	Electroless Nickel

Housing Features

Body Orientation	Right Angle
------------------	-------------

Dimensions

Product Length	55.52 mm[2.186 in]
Cable Entry Diameter	20.62 mm[.812 in]

Other

Connector Interface Specification	MIL-DTL-38999 Series III & IV
-----------------------------------	-------------------------------

Product Compliance

[For compliance documentation, visit the product page on TE.com>](#)

EU RoHS Directive 2011/65/EU	Compliant with Exemptions
EU ELV Directive 2000/53/EC	Compliant
China RoHS 2 Directive MIIT Order No 32, 2016	Restricted Materials Above Threshold
EU REACH Regulation (EC) No. 1907/2006	



Current ECHA Candidate List: JAN 2023 (233)

Candidate List Declared Against: JUNE 2022 (224)

SVHC > Threshold:

Pb (.3% in BODY & NUT)

Article Safe Usage Statements:

Do not eat, drink or smoke when using this product. Wash thoroughly after handling. Recycle if possible and dispose of the article by following all applicable governmental regulations relevant to your geographic location.

Halogen Content

Low Halogen - Br, Cl, F, I < 900 ppm per homogenous material. Also BFR/CFR/PVC Free

Solder Process Capability

Not applicable for solder process capability

Product Compliance Disclaimer

This information is provided based on reasonable inquiry of our suppliers and represents our current actual knowledge based on the information they provided. This information is subject to change. The part numbers that TE has identified as EU RoHS compliant have a maximum concentration of 0.1% by weight in homogenous materials for lead, hexavalent chromium, mercury, PBB, PBDE, DBP, BBP, DEHP, DIBP, and 0.01% for cadmium, or qualify for an exemption to these limits as defined in the Annexes of Directive 2011/65/EU (RoHS2). Finished electrical and electronic equipment products will be CE marked as required by Directive 2011/65/EU. Components may not be CE marked. Additionally, the part numbers that TE has identified as EU ELV compliant have a maximum concentration of 0.1% by weight in homogenous materials for lead, hexavalent chromium, and mercury, and 0.01% for cadmium, or qualify for an exemption to these limits as defined in the Annexes of Directive 2000/53/EC (ELV). Regarding the REACH Regulation, the information TE provides on SVHC in articles for this part number is based on the latest European Chemicals Agency (ECHA) 'Guidance on requirements for substances in articles' posted at this URL: <https://echa.europa.eu/guidance-documents/guidance-on-reach>

Also in the Series | RAYCHEM AS85049



Backshell Accessories(1)



Screened Backshells & Adapters(137)



Unscreened Backshells & Adapters (267)

Customers Also Bought



TE Part #1-6609104-7
PEOS0SS6B=C1165



TE Part #202174-5
GUIDE SOC. ASSY. 104 CTR. FSTN



TE Part #YDTS26F25-61PNV001
PLUG ASSY



TE Part #YDTS24F09-35PNV001
RECP ASSY



TE Part #YDTS24F15-35SNV001
RECP ASSY



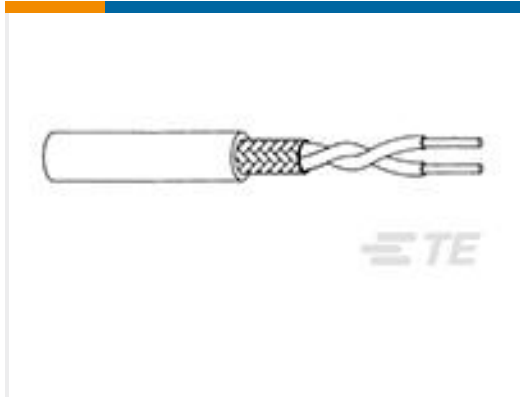
TE Part #YDTS26F23-35PNV001
PLUG ASSY



TE Part #YDTS26F25-37PNV001
PLUG ASSY



TE Part #3162003001
55A0121-20-0/2



TE Part #4451903001
0024A0311-0



TE Part #3152743002
55A0121-16-0/9

Documents

Product Drawings

[R85049/90-21N03](#)

English

CAD Files

[3D PDF](#)

3D

Customer View Model

[ENG_CVM_CVM_CW4629-000_A.2d_dxf.zip](#)

English

Customer View Model

[ENG_CVM_CVM_CW4629-000_A.3d_igs.zip](#)

English

Customer View Model

[ENG_CVM_CVM_CW4629-000_A.3d_stp.zip](#)

English

By downloading the CAD file I accept and agree to the [Terms and Conditions](#) of use.

Datasheets & Catalog Pages

[AS85049 Adapters and Band Straps](#)

English

Instruction Sheets

[Instruction Sheet \(U.S.\)](#)

English