



8800 Series Parts Manual

Grade 1 Mortise Locks

table of contents

How to Order Parts	2
Finish Chart	2
Lockbody Assemblies (by Function)	3-10
Armor Fronts and Strikes.....	11
Trim Assemblies.....	12-21
Lever and Knob Part Numbers.....	22-23
Escutcheon Plates.....	24
Handing.....	25
Trouble Shooting.....	25

how to order parts

To order parts, use the appropriate part number and specify finish if necessary.

For example, to order 10 curved lip strikes for any function:

Quantity	Part Number	Description
10	50-8800-2023-FIN	Strike, Curved Lip

To order 5 lockbody assemblies for a Passage or Closet Latch function (8801):

Quantity	Part Number	Description
5	50-8801-0002-014	Lockbody Assembly

For assistance, contact your authorized Yale distributor, sales agency or visit our website at www.yalelocks.com.

finish chart

ANSI/BHMA Code	Finish Description
605	Bright Brass, Clear Coated
606	Satin Brass, Clear Coated
609	Satin Brass, Blackened, Satin Relieved, Clear Coated
611	Bright Bronze, Clear Coated
612	Satin Bronze, Clear Coated
613	Dark Oxidized Satin Bronze, Oil Rubbed
616	Satin Bronze, Blackened, Satin Relieved, Clear Coated
618	Bright Nickel Plated, Clear Coated

ANSI/BHMA Code	Finish Description
619	Satin Nickel Plated, Clear Coated
620	Satin Nickel Plated, Blackened, Satin Relieved, Clear Coated
625	Bright Chrome Plated
626	Satin Chrome Plated
629	Bright Stainless Steel
630	Satin Stainless Steel
693	Black Painted
722	Black Oxidized Bronze, Oil Rubbed

For "X" in part number, specify finish required:

- For 605, 606, 609, 618, 619, 620, 625, 626, or 693 substitute "X" with "2"
- For 611, 612, 613, 616, or 722 substitute "X" with "3"
- For 629 or 630 substitute "X" with "7"

Example = 50-8847-7119 would be used for an 8847 mortise lock in 626 finish.

FINISH CARE

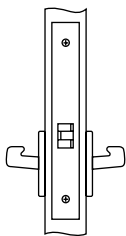
8800 Series Mortise Locks are designed to provide the highest standard of product quality and performance. Care should be taken to ensure a long-lasting finish. When cleaning is required, use a soft damp cloth. Using lacquer thinners, caustic soaps, abrasive cleaners or polishes could damage the coating and result in tarnishing.

MAINTENANCE

Yale® 8800 Series Mortise Locks are manufactured to be maintenance-free under normal operating conditions and environments. Subjection to extremely heavy traffic and/or particularly dusty and dirty environmental conditions, however, may eventually cause unsatisfactory operation due to slow-moving parts or sticking cylinders. In this case, it may be necessary to clean and re-lubricate the lockset to maintain optimum performance. To clean the lockset mechanism, use a penetrating or solvent type lubricant to loosen sticking components, then lubricate with lithium grease. To free sticking or jammed cylinders, lubricate with graphite or a non-oily lubricant (such as Lock-EZE). Do not use petroleum-based lubricants in the cylinder keyway.

lockbody assemblies

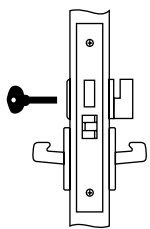
8801



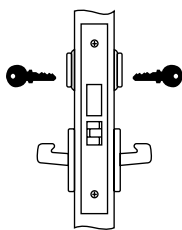
Passage or Closet Latch
F01

Part Number:	Used with:
50-8801-0001-014	Knobs
50-8801-0002-014	Standard Levers
50-8801-0802-014	SL Levers
50-8801-0802-014	Reflections® Levers (shipped before Oct. 2011)
50-8801-0002-014	Reflections® Levers (shipped after Oct. 2011)

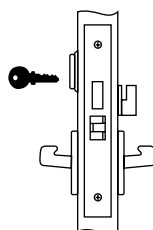
8802/8811-2/8822



Privacy, Bedroom
or Bath Lock
F19



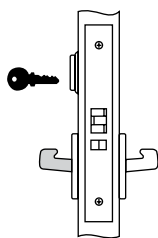
Intruder Deadbolt Lock
F33



Dormitory or Exit Lock
F13

Part Number:	Used with:
50-8802-0001-014	Knobs
50-8802-0002-014	Standard Levers
50-8802-0802-014	SL Levers
50-8802-0802-014	Reflections® Levers (shipped before Oct. 2011)
50-8802-0002-014	Reflections® Levers (shipped after Oct. 2011)

8805

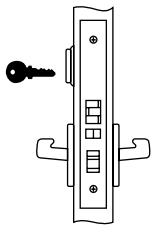


Storeroom or
Closet Lock
F07

Part Number:	Used with:
50-8805-0001-014	Knobs
50-8805-0002-014	Standard Levers
50-8805-0802-014	SL Levers
50-8805-0802-014	Reflections® Levers (shipped before Oct. 2011)
50-8805-0002-014	Reflections® Levers (shipped after Oct. 2011)

lockbody assemblies

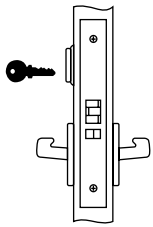
8807



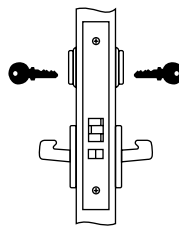
Entry Lock
F04

Part Number:	Used with:
50-8807-0001-014	Knobs
50-8807-0002-014	Standard Levers
50-8807-0802-014	SL Levers
50-8807-0802-014	Reflections® Levers (shipped before Oct. 2011)
50-8807-0002-014	Reflections® Levers (shipped after Oct. 2011)

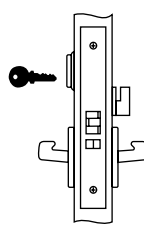
8808/8808-2/8809



Classroom Lock
F05



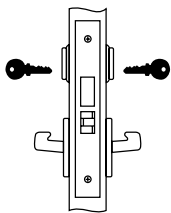
Intruder Latchbolt Lock
F32



Classroom or
Office Lock

Part Number:	Used with:
50-8808-0001-014	Knobs
50-8808-0002-014	Standard Levers
50-8808-0802-014	SL Levers
50-8808-0802-014	Reflections® Levers (shipped before Oct. 2011)
50-8808-0002-014	Reflections® Levers (shipped after Oct. 2011)

8812-2

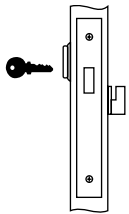


Intruder Deadbolt Lock
F34

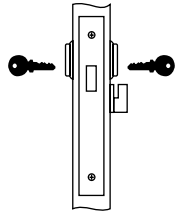
Part Number:	Used with:
50-8812-0001-014	Knobs
50-8812-0002-014	Standard Levers
50-8812-0802-014	SL Levers
50-8812-0802-014	Reflections® Levers (shipped before Oct. 2011)
50-8812-0002-014	Reflections® Levers (shipped after Oct. 2011)

lockbody assemblies

8813ST/8813ST-2



Classroom Deadlock
F29

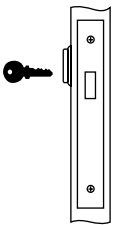


Classroom Deadlock

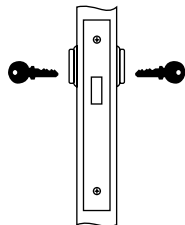
Part Number:

50-8813-0002-014

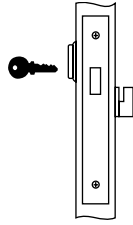
8814/8814-2/8815



Deadlock
F18



Deadlock
F16

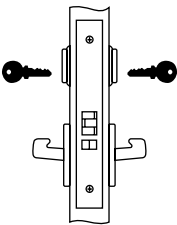


Deadlock
F17

Part Number:

50-8814-0002-014

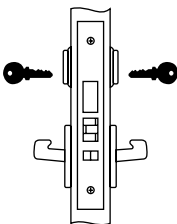
8817-2



Apartment, Exit or
Public Toilet Lock
F09

Part Number:	Used with:
50-8817-0001-014	Knobs
50-8817-0002-014	Standard Levers
50-8817-0802-014	SL Levers
50-8817-0802-014	Reflections® Levers (shipped before Oct. 2011)
50-8817-0002-014	Reflections® Levers (shipped after Oct. 2011)

8818-2



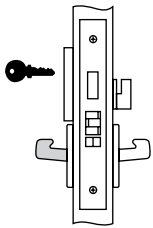
Classroom Security
Intruder Lock

Part Number:	Used with:
50-8818-0001-014	Knobs
50-8818-0002-014	Standard Levers
50-8818-0802-014	SL Levers
50-8818-0802-014	Reflections® Levers (shipped before Oct. 2011)
50-8818-0002-014	Reflections® Levers (shipped after Oct. 2011)

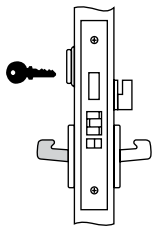


lockbody assemblies

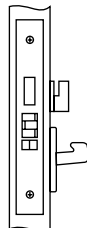
8820/8832/8835



Hotel Guest Lock
F15



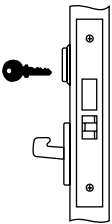
Hotel/Motel Lock



Exit Lock

Part Number:	Used with:
50-8820-0001-014	Knob
50-8820-0002-014	Standard Lever
50-8820-0802-014	SL Lever
50-8820-0802-014	Reflections® Levers (shipped before Oct. 2011)
50-8820-0002-014	Reflections® Levers (shipped after Oct. 2011)

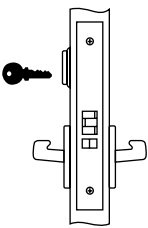
8823



Storeroom Lock

Part Number:	Used with:
50-8823-0001-014	Knob
50-8823-0002-014	Standard Lever
50-8823-0802-014	SL Lever
50-8823-0802-014	Reflections® Levers (shipped before Oct. 2011)
50-8823-0002-014	Reflections® Levers (shipped after Oct. 2011)

8824



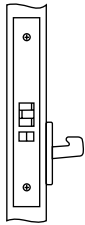
Holdback Lock
F06

Part Number:	Used with:
50-8824-0001-014	Knob
50-8824-0002-014	Standard Lever
50-8824-0802-014	SL Lever
50-8824-0802-014	Reflections® Levers (shipped before Oct. 2011)
50-8824-0002-014	Reflections® Levers (shipped after Oct. 2011)



lockbody assemblies

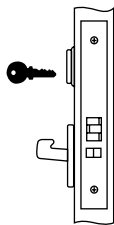
8828



Exit or Communicating Lock
F31

Part Number:	Used with:
50-8828-0001-014	Knob
50-8828-0002-014	Standard Lever
50-8828-0802-014	SL Lever
50-8828-0802-014	Reflections® Levers (shipped before Oct. 2011)
50-8828-0002-014	Reflections® Levers (shipped after Oct. 2011)

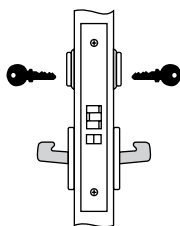
8829



Closet Lock

Part Number:	Used with:
50-8829-0001-014	Knobs
50-8829-0002-014	Standard Levers
50-8829-0802-014	SL Levers
50-8829-0802-014	Reflections® Levers (shipped before Oct. 2011)
50-8829-0002-014	Reflections® Levers (shipped after Oct. 2011)

8830-2



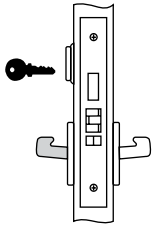
Asylum or Institutional Lock
F30

Part Number:	Used with:
50-8830-0001-014	Knobs
50-8830-0002-014	Standard Levers
50-8830-0802-014	SL Levers
50-8830-0802-014	Reflections® Levers (shipped before Oct. 2011)
50-8830-0002-014	Reflections® Levers (shipped after Oct. 2011)



lockbody assemblies

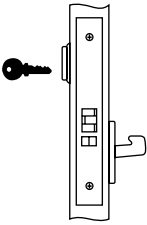
8831



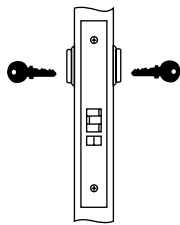
Detention Lock

Part Number:	Used with:
50-8831-0001-014	Knobs
50-8831-0002-014	Standard Levers
50-8831-0802-014	SL Levers
50-8831-0802-014	Reflections® Levers (shipped before Oct. 2011)
50-8831-0002-014	Reflections® Levers (shipped after Oct. 2011)

8833/8833-2



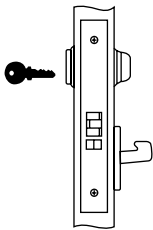
Exit Lock



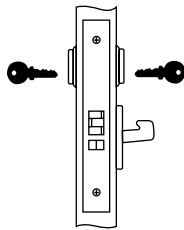
All Purpose Lock

Part Number:	Used with:
50-8833-0001-014	Knobs
50-8833-0002-014	Standard Levers
50-8833-0802-014	SL Levers
50-8833-0802-014	Reflections® Levers (shipped before Oct. 2011)
50-8833-0002-014	Reflections® Levers (shipped after Oct. 2011)

8834/8834-2



All Purpose Lock

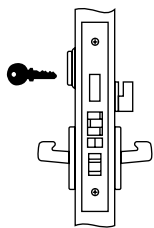


All Purpose Lock

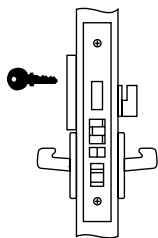
Part Number:	Used with:
50-8834-0001-014	Knobs
50-8834-0002-014	Standard Levers
50-8834-0802-014	SL Levers
50-8834-0802-014	Reflections® Levers (shipped before Oct. 2011)
50-8834-0002-014	Reflections® Levers (shipped after Oct. 2011)

lockbody assemblies

8847/8827



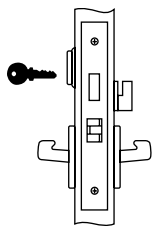
Apartment Corridor
Door Lock
F20



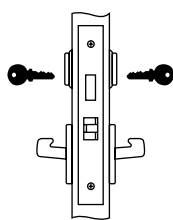
Hotel/Motel Lock

Part Number:	Used with:
50-8847-0001-014	Knobs
50-8847-0002-014	Standard Levers
50-8847-0802-014	SL Levers
50-8847-0802-014	Reflections® Levers (shipped before Oct. 2011)
50-8847-0002-014	Reflections® Levers (shipped after Oct. 2011)

8860/8860-2



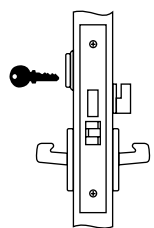
Room Door Lock
F21



Store Door Lock
F14

Part Number:	Used with:
50-8860-0001-014	Knobs
50-8860-0002-014	Standard Levers
50-8860-0802-014	SL Levers
50-8860-0802-014	Reflections® Levers (shipped before Oct. 2011)
50-8860-0002-014	Reflections® Levers (shipped after Oct. 2011)

8861



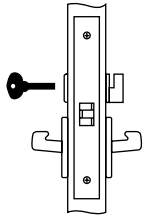
Dormitory or
Storeroom Lock

Part Number:	Used with:
50-8861-0001-014	Knobs
50-8861-0002-014	Standard Levers
50-8861-0802-014	SL Levers
50-8861-0802-014	Reflections® Levers (shipped before Oct. 2011)
50-8861-0002-014	Reflections® Levers (shipped after Oct. 2011)

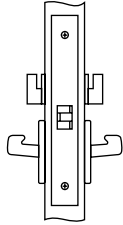


lockbody assemblies

8862/8865



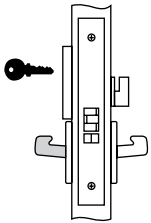
Privacy, Bedroom or Bath Lock
F22



Bathroom Lock

Part Number:	Used with:
50-8862-0001-014	Knob
50-8862-0002-014	Standard Lever
50-8862-0802-014	SL Lever
50-8862-0802-014	Reflections® Levers (shipped before Oct. 2011)
50-8862-0002-014	Reflections® Levers (shipped after Oct. 2011)

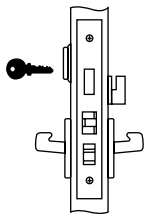
8864



Bathroom Lock
with Indicator

Part Number:	Used with:
50-8864-0001-014	Knobs
50-8864-0002-014	Standard Levers
50-8864-0802-014	SL Levers
50-8864-0802-014	Reflections® Levers (shipped before Oct. 2011)
50-8864-0002-014	Reflections® Levers (shipped after Oct. 2011)

8867



Dormitory or Exit Lock
F12

Part Number:	Used with:
50-8867-0001-014	Knobs
50-8867-0002-014	Standard Levers
50-8867-0802-014	SL Levers
50-8867-0802-014	Reflections® Levers (shipped before Oct. 2011)
50-8867-0002-014	Reflections® Levers (shipped after Oct. 2011)

armor fronts and strikes

armor fronts

Part Number Shipped Prior To March 2012	Part Number Shipped After March 2012	Lock Function/Description
50-8801-X019	50-8801-X119	8801, 8862
50-8802-X019	50-8802-X119	8802, 8811, 8822, 8823, 8861
50-8805-X019	50-8805-X119	8805, 8808, 8809, 8817, 8824, 8828, 8829, 8830, 8833, 8834, 8834-2, 8864, 8865
50-8807-X019	50-8807-X119	8807
50-8813-X019	50-8813-X119	8813, 8814, 8815
50-8820-X019	50-8820-X119	8812, 8818, 8820, 8831, 8832, 8835, 8860
50-8847-X019	50-8847-X119	8827, 8847
50-8867-X019	50-8867-X119	8867
81-00X2-0404	81-00X2-0404	Armor Front Screw



Armor Front Shipped Prior To March 2012



Armor Front Shipped After March 2012

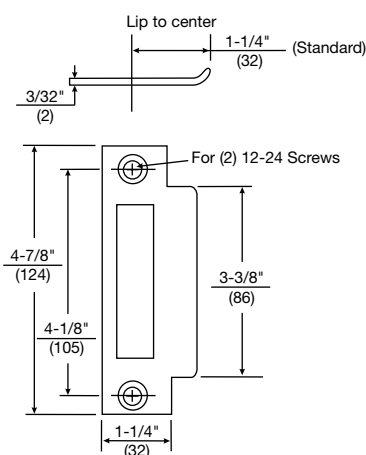
For "X" in part number, specify finish required:

- For 605, 606, 609, 618, 619, 620, 625, 626, or 693 substitute "X" with "2"
- For 611, 612, 613, 616, or 722 substitute "X" with "3"
- For 629 or 630 substitute "X" with "7"

Example = 50-8847-7119 would be used for an 8847 mortise lock in 626 finish.

strikes

Part Number	Description
50-8800-X023	1-1/4" Curved Lip (standard)
50-8800-X022	1-1/8" Curved Lip
50-8800-X065	1-3/8" Curved Lip
50-8800-X024	1-1/2" Curved Lip
50-8800-X066	1-5/8" Curved Lip
50-8800-X025	1-3/4" Curved Lip
50-8800-X067	1-7/8" Curved Lip
50-8800-X026	2" Curved Lip
50-8800-X068	2-1/8" Curved Lip
50-8800-X027	2-1/4" Curved Lip
50-2816-X001	7/8" Flat Lip
50-2816-X002	1" Flat Lip
50-2816-X003	1-1/8" Flat Lip
50-2816-X004	1-1/4" Flat Lip
50-2816-X005	1-1/2" Flat Lip
50-2816-X006	1-3/4" Flat Lip
50-2816-X007	2" Flat Lip
50-2816-X008	2-1/4" Flat Lip
50-2816-X009	2-1/2" Flat Lip



trim: standard lever/knob and Reflections® lever with rose

For Reflections® levers shipped after October 2011.

For standard lever/knobs shipped after February 2012.

Item	Part Number	Description	Quantity
1	See Pages 22-23	Levers/Knobs	2
2	81-6619-2896-999	Set Screw	1
3	10-0086-9038-999	Nylon Bushing	1
4	10-0502-2004-fin	Rose Thimble Adapter for Standard Trim	2
5	50-0506-0902-048	Outside Mounting Plate Assembly	1
6	50-0505-0902-048	Inside Mounting Plate Assembly	1
7	81-0611-0420-999	Mounting Screws (1-3/4" door) Std.	2
7	81-0013-0424-048	Mounting Screws (2" - 2-1/4" door)	2
7	81-0013-0428-999	Mounting Screws (2-1/4" - 2-3/4" door)	2
8	50-1178-0001-048	Spindle Assembly (1-3/4" door) Std.	1
8	50-1178-0002-048	Spindle Assembly (2" - 2-1/4" door)	1
8	50-1178-0003-048	Spindle Assembly (2-1/4" - 3-1/4" door)	1
9	10-0501-2002-fin	CO Rose Scalps (Outside and Inside)	2
10	50-1824-0014-fin	Thumbturn and Plate Assembly (1-3/4" to 2-1/4" door)	1
10	50-1824-0021-fin	Thumbturn and Plate Assembly (2-1/4" to 3-1/4" door)	1
Not Shown	50-8403-x001-fin*	R3 Rose Scalps (Outside and Inside)	2
Not Shown	50-8404-x001-fin*	R4 Rose Scalps (Outside and Inside)	2
Not Shown	50-8405-x001-fin*	R5 Rose Scalps (Outside and Inside)	2
Not Shown	50-8406-x001-fin*	R6 Rose Scalps (Outside and Inside)	2
Not Shown	50-8407-x001-fin*	R7 Rose Scalps (Outside and Inside)	2
Not Shown	50-8408-x001-fin*	R8 Rose Scalps (Outside and Inside)	2
Not Shown	99-9999-3979-023	Spindle Pin	1
Not Shown	50-1198-0007-048	Hook Spindle for Single Sided Trim	1
Not Shown	50-1824-0030-fin	Designer Thumbturn Assembly (1-3/4" door)	1
Not Shown	50-1824-1125-048	Thumbturn Mounting Plate	1
Not Shown	81-9400-1045-047	Thumbturn Screw Pack	1

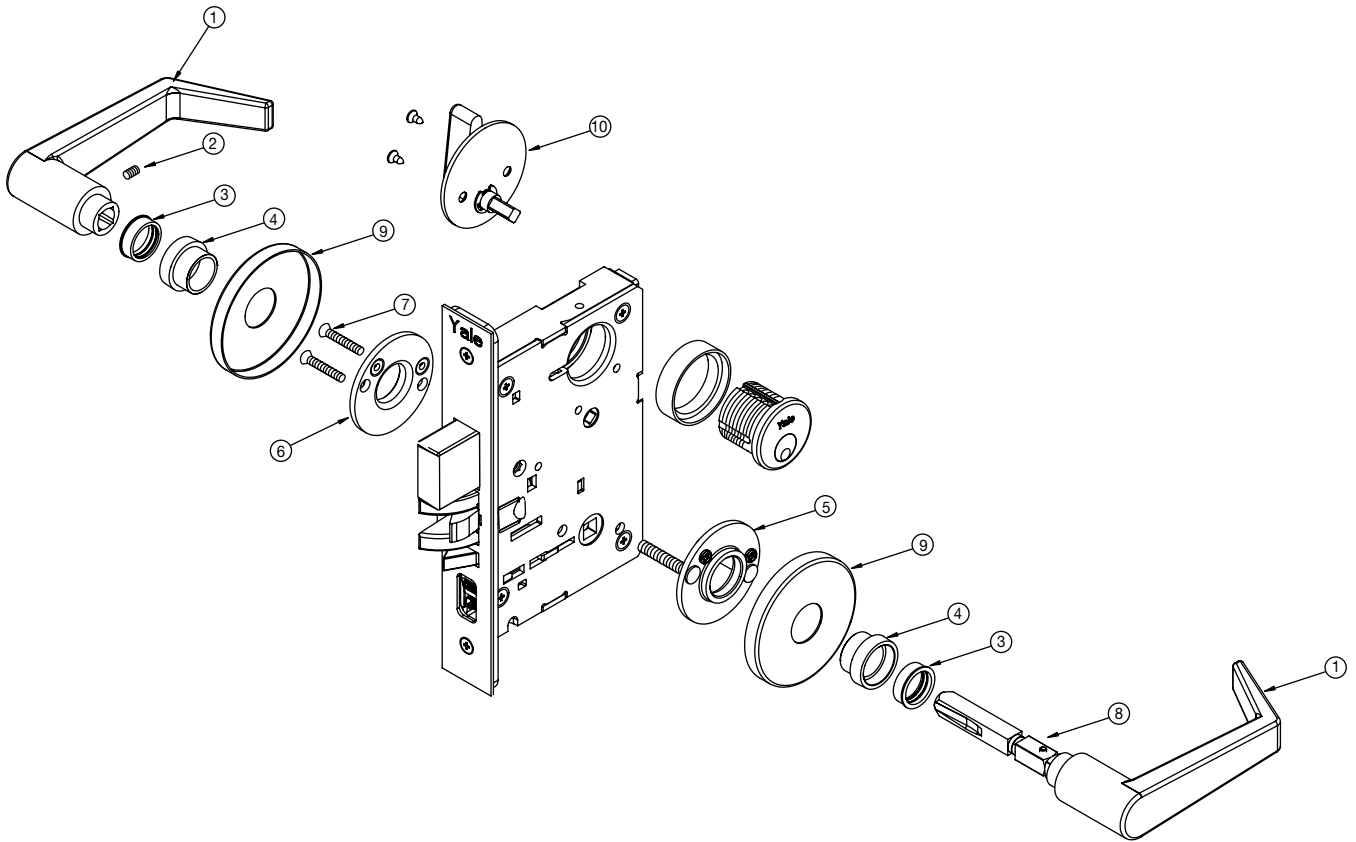
* = X in 3rd set of numbers is the base material designation

2 = Brass

3 = Bronze

7 = Steel

trim: standard lever/knob and Reflections® lever with rose



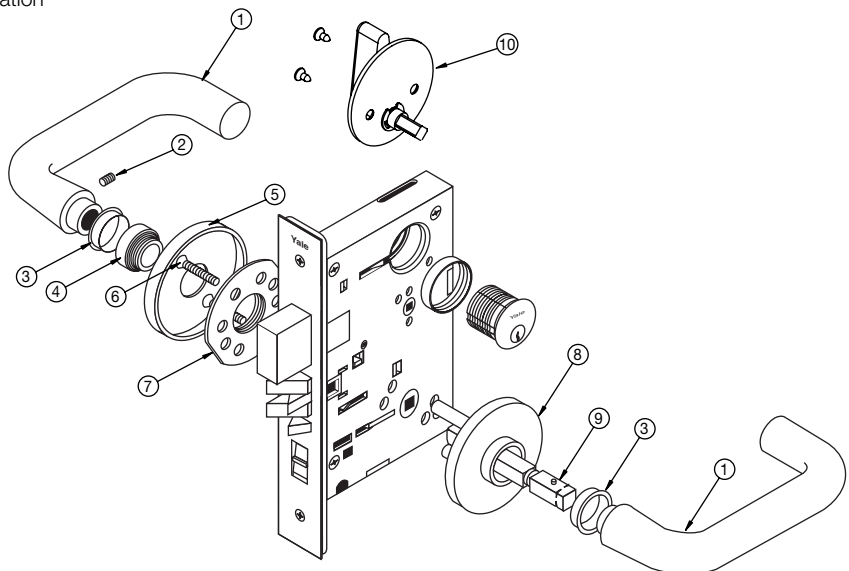
trim: standard lever and knob with rose

For products shipped prior to February 2012.

Item	Part Number	Description	Quantity
1	See Pages 22-23	Levers/Knobs	2
2	81-6619-2896-999	Set Screw	1
3	10-0086-9038-999	Nylon Bushing	2
4	10-0501-x003-fin*	Inside Rose Adaptor	1
5	10-0501-x001-fin*	Inside Rose Scalp	1
6	81-0611-0420-048	Mounting Screws (1-3/4" door) Std.	2
6	81-0013-0424-048	Mounting Screws (2" - 2-1/4" door)	2
6	81-0013-0428-999	Mounting Screws (2-1/4" - 2-3/4" door)	2
7	50-0505-1001-048	Inside Mounting Plate	1
8	50-0506-0010-fin	Outside Rose Assembly	1
9	50-1178-0001-048	Spindle Assembly (1-3/4" door) Std.	1
9	50-1178-0002-048	Spindle Assembly (2" - 2-1/4" door)	1
9	50-1178-0003-048	Spindle Assembly (2-1/4" - 3-1/4" door)	1
10	50-1824-0014-fin	Thumbturn and Plate Assembly (1-3/4" to 2-1/4" door)	1
10	50-1824-0021-fin	Thumbturn and Plate Assembly (2-1/4" to 3-1/4" door)	1
Not Shown	99-9999-3979-023	Spindle Pin	1
Not Shown	10-0086-9037-999	R1/R2 Nylon Bushing	2
Not Shown	10-0087-2145-000	R1/R2 Inside Rose Adaptor	1
Not Shown	50-0505-1001-048	R1/R2 Inside Rose Support	1
Not Shown	50-0505-2023-fin	R1 Designer Rose Scalp	1
Not Shown	50-0505-2024-fin	R2 Designer Rose Scalp	1
Not Shown	50-8700-0016-048	R1/R2 Outside Rose Support Assembly	1
Not Shown	81-9400-0049-048	R1/R2 Through Bolt Screw Pack	1
Not Shown	50-4602-0037-fin	Designer Emergency Release	1
Not Shown	50-1824-0030-fin	Designer Thumbturn Assembly (1-3/4" door)	1
Not Shown	50-1824-1125-048	Thumbturn Mounting Plate	1
Not Shown	81-9400-1045-047	Thumbturn Screw Pack	1

* = X in 3rd set of numbers is the base material designation

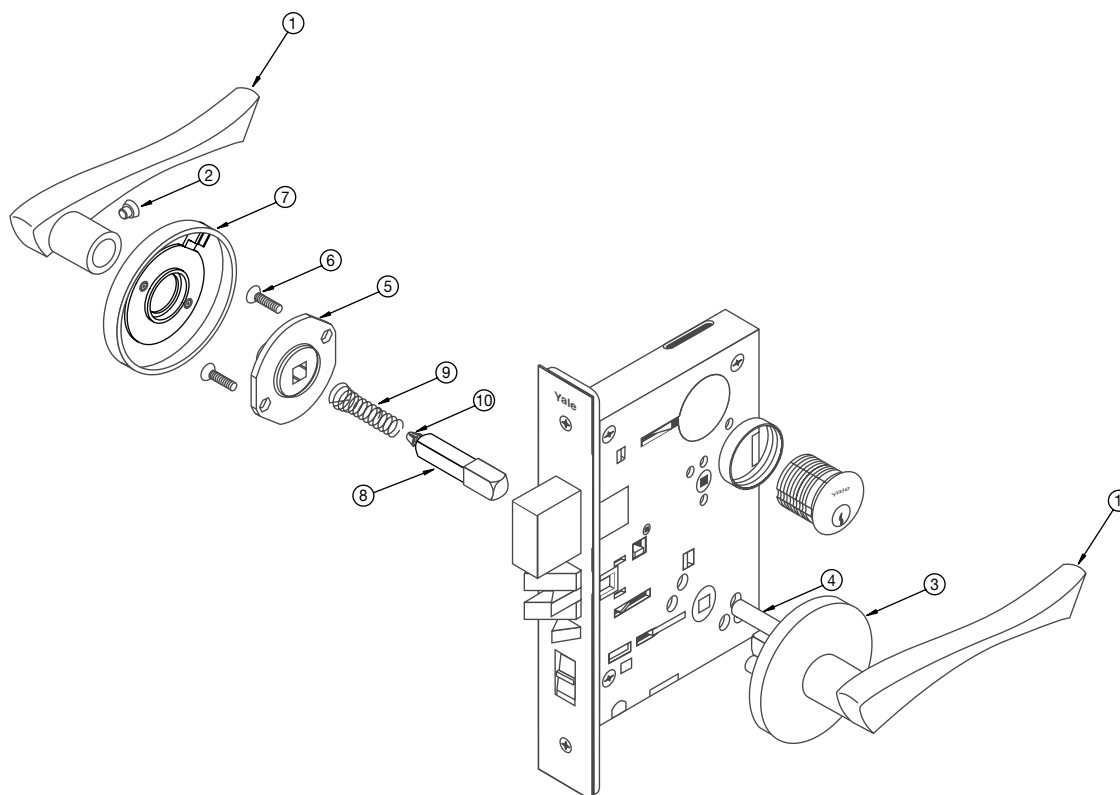
- 2 = Brass
- 3 = Bronze
- 7 = Steel



trim: Reflections® lever with rose

For products shipped prior to October 2011.

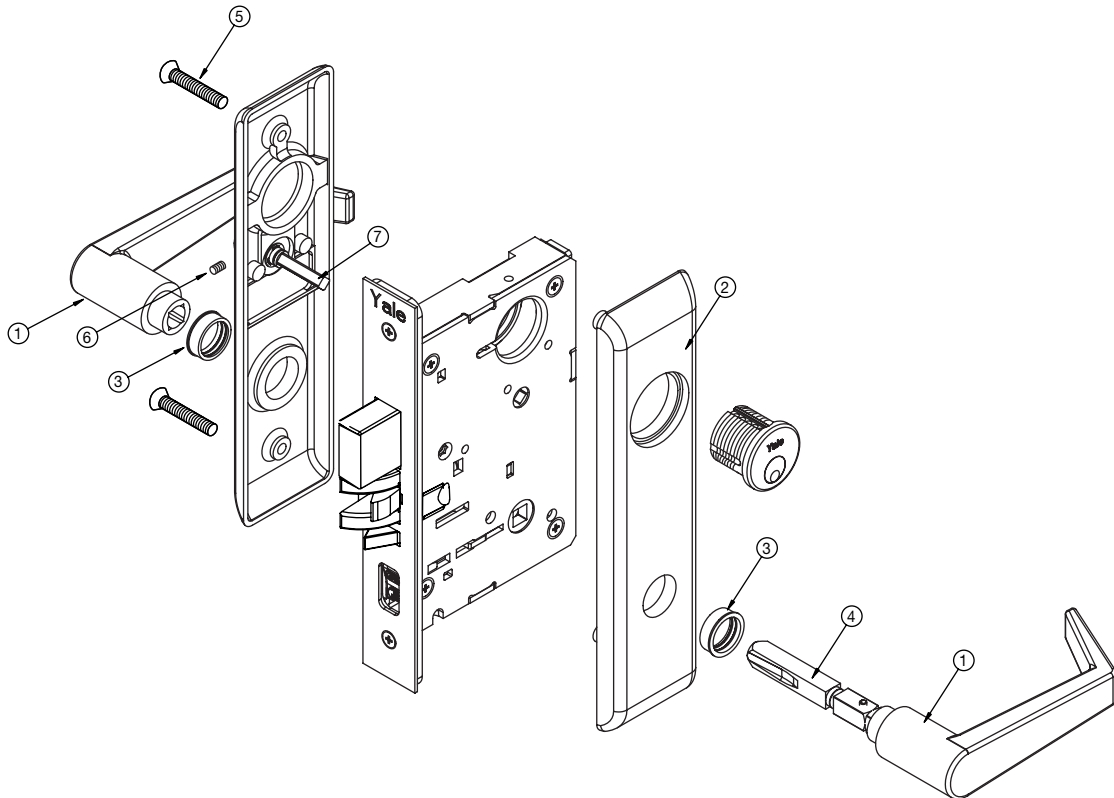
Item	Part Number	Description	Quantity
1	See Pages 22-23	Levers	2
2	S82-0695	Set Screw	1
3	50-8400-0024-999	Outside Mounting Plate Assembly	1
4	S81-0723	Outside Mounting Post	2
5	50-8400-0025-999	Inside Mounting Plate Assembly	1
6	S01-1495	Mounting Screws (1-3/4" - 2-1/4" door)	2
7	DL-2057-5100	R3 Rose Assembly	2
Not Shown	DL-2053-5100	R4 Rose Assembly	2
Not Shown	DL-2055-5100	R5 Rose Assembly	2
Not Shown	50-8406-0000	R6 Rose Assembly	2
Not Shown	50-8407-0000	R7 Rose Assembly	2
Not Shown	50-8408-0000	R8 Rose Assembly	2
8	50-8400-1090	Spindle	2
9	50-8400-1003	Spindle Spring	2
10	S82-0614	Spindle Anchor	2
Not Shown	50-1824-0030-fin	Designer Thumbturn Assembly (1-3/4" door)	1
Not Shown	50-1824-1125-048	Thumbturn Mounting Plate	1
Not Shown	81-9400-1045-047	Thumbturn Screw Pack	1



trim: standard lever/knob and Reflections® lever with escutcheon

For Reflections® levers shipped after October 1, 2011.
 For all standard lever/knobs with escutcheon.

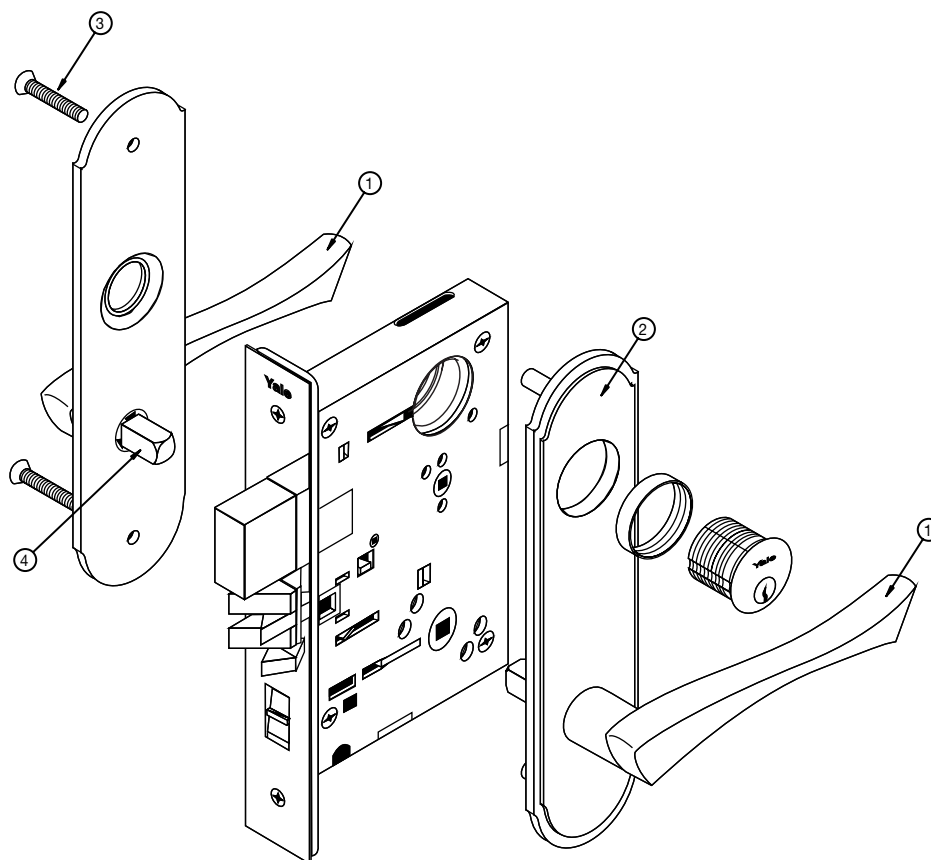
Item	Part Number	Description	Quantity
1	See Pages 22-23	Levers/Knobs	2
2	See Page 24	Escutcheon Plates	2
3	10-0086-9038-999	Nylon Bushing	2
4	50-1178-0001-048	Spindle Assembly (1-3/4" door)	1
4	50-1178-0002-048	Spindle Assembly (2" - 2-1/4" door)	1
4	50-1178-0003-048	Spindle Assembly (3" - 3-3/4" door)	1
5	50-4601-7176-fin	Escutcheon Plate Screws (1-3/4" - 2-1/4" door)	2
5	50-4601-7178-fin	Escutcheon Plate Screws (2-1/4" - 2-3/4" door)	1
5	50-4601-7180-fin	Escutcheon Plate Screws (2-3/4" - 3-1/4" door)	1
6	81-6619-2896-999	Set Screw	1
7	50-1824-6009-fin	Thumbturn - CN (1-3/4" - 2" door)	1
7	50-1824-6008-fin	Thumbturn - CN (2" - 3-1/4" door)	1
Not Shown	50-1824-6000-fin	Thumbturn Assembly E3/E4 (1-3/4" door)	1
Not Shown	50-1824-6002-fin	Thumbturn Assembly - E3/E4 (2" - 2-1/4" door)	1
Not Shown	50-1824-6001-fin	Thumbturn Assembly - E3/E4 (2-1/2" - 3-1/4" door)	1
Not Shown	99-9999-3979-999	Spindle Pin	1



trim: Reflections® lever with escutcheons

For Reflections® levers shipped prior to October 2011.

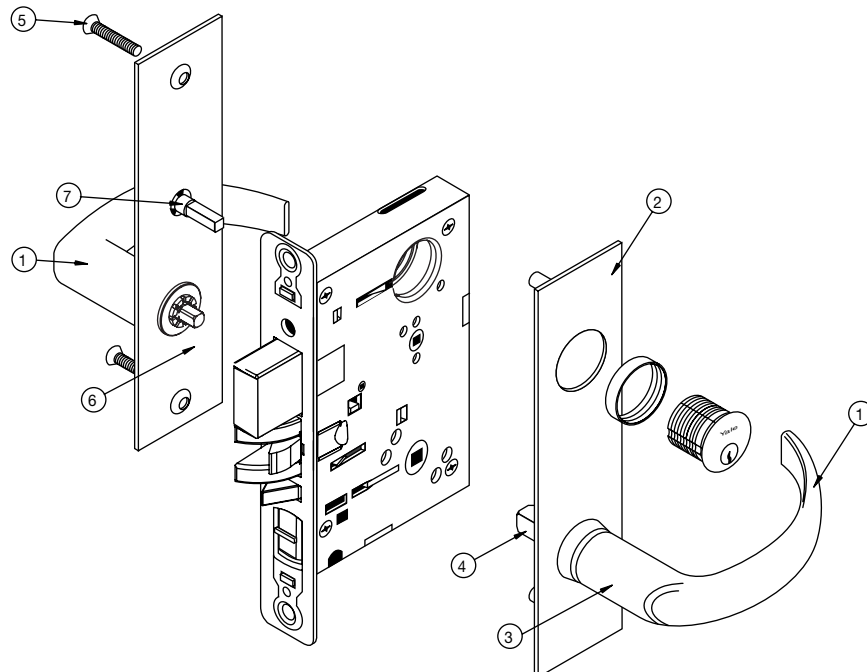
Item	Part Number	Description	Quantity
1	See Pages 22-23	Levers	2
2	See Page 24	E3/E4 Escutcheon Plates	2
3	50-4601-7176-fin	Escutcheon Plate Screws (1-3/4" - 2-1/4" door)	2
3	50-4601-7178-fin	Escutcheon Plate Screws (2-1/4" door)	2
4	50-8400-1090-048	Spindle Assembly (1-3/4" - 2-1/4" door)	2
Not Shown	50-8400-0024-999	Outside Mounting Plate	1
Not Shown	50-8400-0025-999	Inside Mounting Plate	1
Not Shown	S82-0614	Spindle Springs	2
Not Shown	S82-0691	Spindle Bushing	1
Not Shown	50-8400-1003-999	Set Screw	1
Not Shown	50-1824-6000-fin	Thumbturn Assembly E3/E4 (1-3/4" door)	1
Not Shown	50-1824-6002-fin	Thumbturn Assembly - E3/E4 (2" - 2-1/4" door)	1
Not Shown	50-1824-6001-fin	Thumbturn Assembly - E3/E4 (2-1/2" - 3-1/4" door)	1



trim: lever with SL escutcheon

For all products.

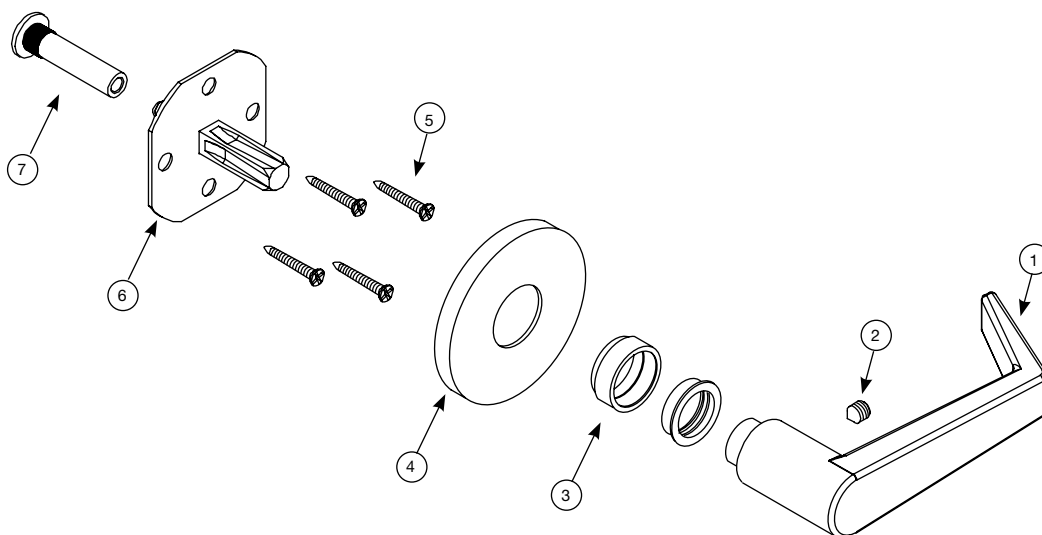
Item	Part Number	Description	Quantity
1	See Pages 22-23	Levers	2
2	See Page 24	SL Escutcheon Plates	2
3	10-0086-9038-999	Nylon Bushing	2
4	50-8700-1015-048	Spindle Assembly (1-3/4" door)	2
4	50-8700-1016-048	Spindle Assembly (1-7/8" - 2" door)	2
4	50-8700-1017-048	Spindle Assembly (2-1/8" - 2-1/4" door)	2
4	50-8700-1060-048	Spindle Assembly (2-1/2" - 2-3/4" door)	2
4	50-8700-1061-048	Spindle Assembly (2-7/8" - 3-1/8" door)	2
4	50-8700-1062-048	Spindle Assembly (3-1/4" door)	2
5	50-4601-7162-999	Escutcheon Plate Screws (1-3/4" door)	2
5	50-4601-7163-999	Escutcheon Plate Screws (2" door)	2
5	50-4601-7164-999	Escutcheon Plate Screws (2-1/4" door)	2
5	50-4601-7166-999	Escutcheon Plate Screws (2-1/2" - 2-3/4" door)	2
5	50-4601-7167-999	Escutcheon Plate Screws (3" door)	2
5	50-4601-7168-999	Escutcheon Plate Screws (3-1/4" door)	2
6	50-8700-1920-048	Security Castle Nut/Washer	2
7	50-1824-6009-fin	Thumbturn Assembly - SL (1-3/4" - 2" door)	1
7	50-1824-6008-fin	Thumbturn Assembly - SL (2" - 3-1/4" door)	1
Not Shown	99-9958-0048-999	Cotter Pin	2



trim: lever and knob single-sided dummy trim with standard CO rose —

For all products.

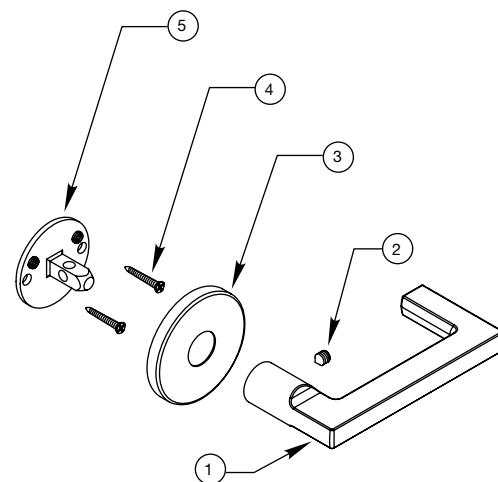
Item	Part Number	Description	Quantity
1	See Pages 22-23	Lever/Knob	1
2	81-6619-2896-999	Set Screw	1
3	10-0086-9038-999	Nylon Bushing	1
4	10-0501-2001-fin	Rose	1
5	81-3112-0526-036	Sheet Metal Screws	4
6	50-1424-0003-048	Dummy Spindle Assembly	1
7	60-7000-2137-fin	Sex Nut	1



trim: lever single-sided dummy trim with Reflections® roses —

For all products.

Item	Part Number	Description	Quantity
1	See Pages 22-23	Lever/Knob	1
2	81-6619-2896-999	Set Screw	1
3	10-0501-2001-fin	Rose	1
4	81-3112-0526-036	Sheet Metal Screws	4
5	DL-2052	Dummy Spindle Assembly	1

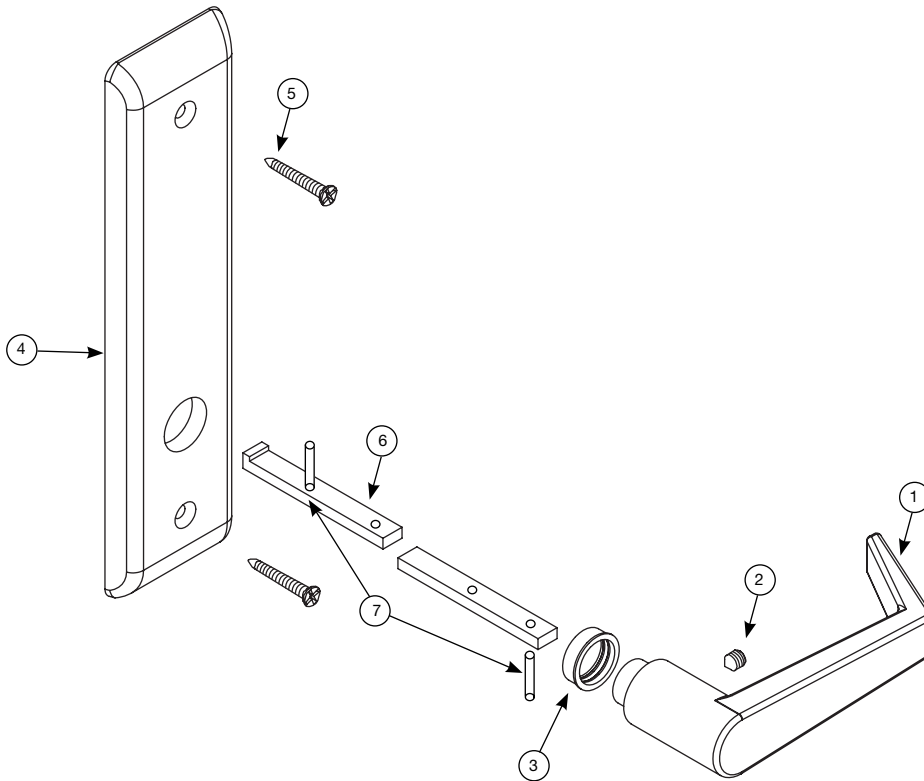




trim: lever and knob single-sided dummy trim with escutcheon

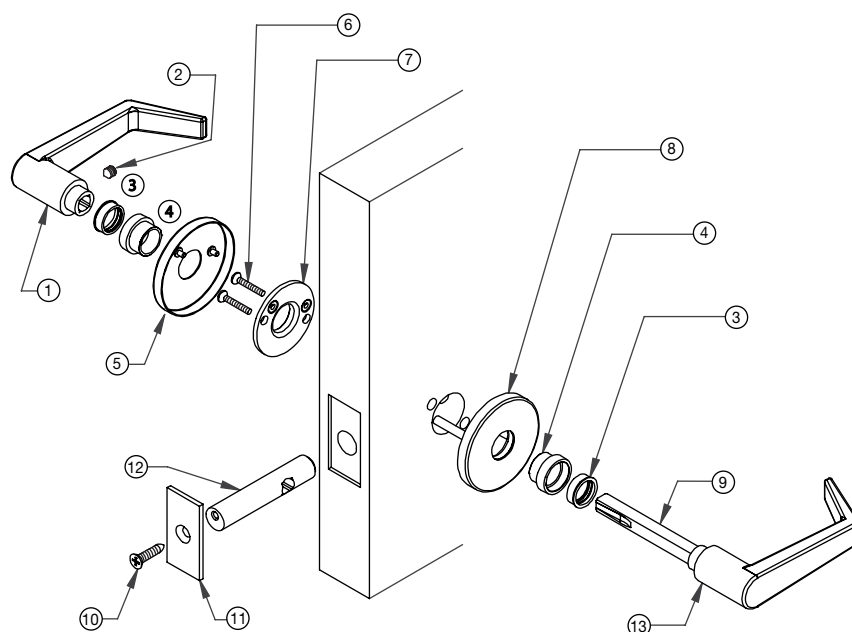
For all products.

Item	Part Number	Description	Quantity
1	See Pages 22-23	Lever/Knob	1
2	81-6619-2896-999	Set Screw	1
3	10-0086-9038-999	Nylon Bushing	1
4	See Page 24	Escutcheon Plate (spacing number 201)	1
5	81-3173-0520-fin	Mounting Screws	2
6	50-1198-0007-048	Hook Spindle	1
7	99-9999-3990-999	.094 x .250 Rollpin	2



trim: lever and knob double sided dummy trim with rose or escutcheon

Item	Part Number	Description	Quantity
1	See Pages 22-23	Levers/ Knobs	2
2	81-6619-2896-999	Set Screw	1
3	10-0086-9038-999	Nylon Bushing	2
4	10-0502-2004-fin	Rose Thimble Adapter	2
5	10-0501-x002-fin	CO Rose Scalps (Outside and Inside)	2
Not Shown	50-8403-x001-fin	R3 Rose Scalps (Outside and Inside)	2
Not Shown	50-8404-x001-fin	R4 Rose Scalps (Outside and Inside)	2
Not Shown	50-8405-x001-fin	R5 Rose Scalps (Outside and Inside)	2
Not Shown	50-8406-x001-fin	R6 Rose Scalps (Outside and Inside)	2
Not Shown	50-8407-x001-fin	R7 Rose Scalps (Outside and Inside)	2
Not Shown	50-8408-x001-fin	R8 Rose Scalps (Outside and Inside)	2
6	81-0611-0420-999	Mounting Screws (1-3/4" door) Std.	2
6	81-0013-0424-048	Mounting Screws (2" - 2-1/4" door)	2
6	81-0013-0428-999	Mounting Screws (2-1/4" - 2-3/4" door)	2
7	50-0505-0004-999	Inside Mounting Plate	1
8	50-0506-0004-999	Outside Mounting Plate Assembly	1
9	50-1173-1011-048	Spindle Assembly (1-3/4" door) Std.	1
9	50-1173-1012-048	Spindle Assembly (2" - 2-1/4" door)	1
9	50-1173-1013-048	Spindle Assembly (2-1/4" - 3-1/4" door)	1
10	80-0122-0620-fin	Rigid Spindle Bar Front Screw	1
11	50-0836-2002-fin	Dummy Front	1
12	50-0838-1001-000	Spindle Bar	1
Not Shown	See Page 24	Escutcheon Plates	2



trim: lever and knob part numbers

Type	Design	Hand	New Part Numbers Product Shipped After October 2011		Old Part Numbers Product Shipped Prior to October 2011	
			Outside	Inside	Outside	Inside
Reflections®	TB		10-0904-x810-FIN	10-0905-x810-FIN	50-0812-0000-FIN	50-0811-0000-FIN
	TC		10-0904-x831-FIN	10-0905-x831-FIN	50-0833-0000-FIN	50-0832-0000-FIN
	TD		10-0904-x861-FIN	10-0905-x861-FIN	50-0863-0000-FIN	50-0862-0000-FIN
	TE		10-0904-x858-FIN	10-0905-x858-FIN	50-0860-0000-FIN	50-0859-0000-FIN
	TG	RH	10-0904-x864-FIN	10-0905-x864-FIN	50-0866-0000-FIN	50-0868-0000-FIN
	TG	LH	10-0904-x867-FIN	10-0905-x867-FIN	50-0869-0000-FIN	50-0865-0000-FIN
	TI	RH	10-0904-x079-FIN	10-0905-x079-FIN	50-1081-0000-FIN	50-1080-0000-FIN
	TI	LH	10-0904-x082-FIN	10-0905-x082-FIN	50-1084-0000-FIN	50-1083-0000-FIN
	TJ	RH	10-0904-x879-FIN	10-0905-x879-FIN	50-0881-0000-FIN	50-0883-0000-FIN
	TJ	LH	10-0904-x882-FIN	10-0905-x882-FIN	50-0884-0000-FIN	50-0880-0000-FIN
	TK	RH	10-0904-x846-FIN	10-0905-x846-FIN	50-0848-0000-FIN	50-0850-0000-FIN
	TK	LH	10-0904-x849-FIN	10-0905-x849-FIN	50-0851-0000-FIN	50-0847-0000-FIN
	TM		10-0904-x804-FIN	10-0905-x804-FIN	50-0806-0000-FIN	50-0805-0000-FIN
	TN		10-0904-x813-FIN	10-0905-x813-FIN	50-0815-0000-FIN	50-0814-0000-FIN
	TO	RH	10-0904-x073-FIN	10-0905-x073-FIN	50-1075-0000-FIN	50-1074-0000-FIN
	TO	LH	10-0904-x076-FIN	10-0905-x076-FIN	50-1078-0000-FIN	50-1077-0000-FIN
	TP		10-0904-x816-FIN	10-0905-x816-FIN	50-0818-0000-FIN	50-0817-0000-FIN
	TQ		10-0904-x897-FIN	10-0905-x897-FIN	50-0899-0000-FIN	50-0898-0000-FIN
	TR		10-0904-x819-FIN	10-0905-x819-FIN	50-0821-0000-FIN	50-0820-0000-FIN
	TS		10-0904-x828-FIN	10-0905-x828-FIN	50-0830-0000-FIN	50-0829-0000-FIN
	TT	RH	10-0904-x852-FIN	10-0905-x852-FIN	50-0854-0000-FIN	50-0856-0000-FIN
	TT	LH	10-0904-x855-FIN	10-0905-x855-FIN	50-0857-0000-FIN	50-0853-0000-FIN
	TU	RH	10-0904-x822-FIN	10-0905-x822-FIN	50-0824-0000-FIN	50-0826-0000-FIN
	TU	LH	10-0904-x825-FIN	10-0905-x825-FIN	50-0827-0000-FIN	50-0823-0000-FIN
	TV	RH	10-0904-x834-FIN	10-0905-x834-FIN	50-0836-0000-FIN	50-0838-0000-FIN
	TV	LH	10-0904-x837-FIN	10-0905-x837-FIN	50-0839-0000-FIN	50-0835-0000-FIN
	TW	RH	10-0904-x873-FIN	10-0905-x873-FIN	50-0875-0000-FIN	50-0877-0000-FIN
	TW	LH	10-0904-x876-FIN	10-0905-x876-FIN	50-0878-0000-FIN	50-0874-0000-FIN
	TW (round shank)	RH	10-0904-x239-FIN	10-0905-x239-FIN	50-1239-0000-FIN	50-0873-0000-FIN
	TW (round shank)	LH	10-0904-x240-FIN	10-0905-x240-FIN	50-1240-0000-FIN	50-0876-0000-FIN
	TX	RH	10-0904-x885-FIN	10-0905-x885-FIN	50-0887-0000-FIN	50-0889-0000-FIN
	TX	LH	10-0904-x888-FIN	10-0905-x888-FIN	50-0890-0000-FIN	50-0886-0000-FIN
TX (round shank)	RH	10-0904-x247-FIN	10-0905-x247-FIN	50-1247-0000-FIN	50-0885-0000-FIN	
TX (round shank)	LH	10-0904-x248-FIN	10-0905-x248-FIN	50-1248-0000-FIN	50-0888-0000-FIN	
TY	RH	10-0904-x891-FIN	10-0905-x891-FIN	50-0893-0000-FIN	50-0895-0000-FIN	
TY	LH	10-0904-x894-FIN	10-0905-x894-FIN	50-0896-0000-FIN	50-0892-0000-FIN	
TZ	RH	10-0904-x085-FIN	10-0905-x085-FIN	50-1087-0000-FIN	50-1086-0000-FIN	

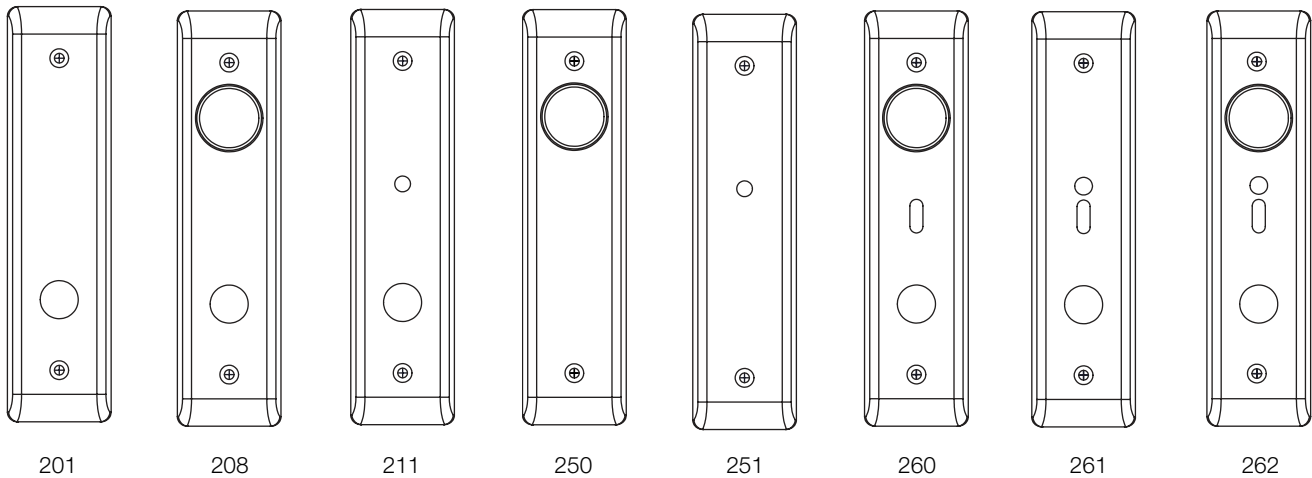
trim: lever and knob part numbers

Type	Design	Hand	New Part Numbers Product Shipped After October 2011		Old Part Numbers Product Shipped Prior to October 2011	
			Outside	Inside	Outside	Inside
Reflections®	TZ	LH	10-0904-x088-FIN	10-0905-x088-FIN	50-1090-0000-FIN	50-1089-0000-FIN
	UB		10-0904-x907-FIN	10-0905-x907-FIN	50-0909-0000-FIN	50-0908-0000-FIN
	UC		10-0904-x913-FIN	10-0905-x913-FIN	50-0915-0000-FIN	50-0914-0000-FIN
	UW	RH	10-0904-x901-FIN	10-0905-x901-FIN	50-0903-0000-FIN	50-0902-0000-FIN
	UW	LH	10-0904-x904-FIN	10-0905-x904-FIN	50-0906-0000-FIN	50-0905-0000-FIN
	UX	RH	10-0904-x064-FIN	10-0905-x064-FIN	50-1066-0000-FIN	50-1065-0000-FIN
	UX	LH	10-0904-x067-FIN	10-0905-x067-FIN	50-1069-0000-FIN	50-1068-0000-FIN
	RA	RH	10-0904-6012-FIN	10-0905-6012-FIN	N/A	N/A
	RA	LH	10-0904-6013-FIN	10-0905-6013-FIN	N/A	N/A
	RB	RH	10-0904-6022-FIN	10-0905-6022-FIN	N/A	N/A
	RB	LH	10-0904-6023-FIN	10-0905-6023-FIN	N/A	N/A
	RC	RH	10-0904-6032-FIN	10-0905-6032-FIN	N/A	N/A
	RC	LH	10-0904-6033-FIN	10-0905-6033-FIN	N/A	N/A
	MA	RH	10-0904-6042-FIN	10-0905-6042-FIN	N/A	N/A
	MA	LH	10-0904-6043-FIN	10-0905-6043-FIN	N/A	N/A
	TL		50-0803-0000-FIN	50-0802-0000-FIN	50-0803-0000-FIN	50-0802-0000-FIN
	TA		50-0809-0000-FIN	50-0808-0000-FIN	50-0809-0000-FIN	50-0808-0000-FIN
	TF	RH	50-0842-0000-FIN	50-0844-0000-FIN	50-0842-0000-FIN	50-0844-0000-FIN
	TF	LH	50-0845-0000-FIN	50-0841-0000-FIN	50-0845-0000-FIN	50-0841-0000-FIN
TH		50-0872-0000-FIN	50-0871-0000-FIN	50-0872-0000-FIN	50-0871-0000-FIN	
Standard	AR	RH	10-0902-x021-FIN	10-0903-x024-FIN	10-0902-x021-FIN	10-0903-x024-FIN
	AR	LH	10-0902-x022-FIN	10-0903-x023-FIN	10-0902-x022-FIN	10-0903-x023-FIN
	AU		10-0904-x036-FIN	10-0905-x017-FIN	10-0904-x036-FIN	10-0905-x017-FIN
	CR		10-0904-x071-FIN	10-0905-x070-FIN	10-0904-x071-FIN	10-0905-x070-FIN
	JN		10-0902-x011-FIN	10-0903-x012-FIN	10-0902-x011-FIN	10-0903-x012-FIN
	MO		10-0904-x051-FIN	10-0905-x051-FIN	10-0904-x051-FIN	10-0905-x051-FIN
	PB		10-0904-x054-FIN	10-0905-x054-FIN	10-0904-x054-FIN	10-0905-x054-FIN
	PN		10-0904-x045-FIN	10-0905-x054-FIN	10-0904-x045-FIN	10-0905-x054-FIN
	VI		10-0904-x055-FIN	10-0905-x055-FIN	10-0904-x055-FIN	10-0905-x055-FIN
	HA		10-0904-2151-FIN	10-0905-2151-FIN	10-0904-2151-FIN	10-0905-2151-FIN
	ZAU		10-0904-6036-FIN	10-0905-6017-FIN	10-0904-6036-FIN	10-0905-6017-FIN
	ZCR		10-0904-6071-FIN	10-0905-6070-FIN	10-0904-6071-FIN	10-0905-6070-FIN
	ZMO		10-0904-6051-FIN	10-0905-6051-FIN	10-0904-6051-FIN	10-0905-6051-FIN
	ZPB		10-0904-6054-FIN	10-0905-6054-FIN	10-0904-6054-FIN	10-0905-6054-FIN
	CO		10-0035-x487-FIN	10-0035-x483-FIN	10-0035-x487-FIN	10-0035-x483-FIN
	LF		10-0035-x285-FIN	10-0035-x338-FIN	10-0035-x285-FIN	10-0035-x338-FIN

trim: escutcheon plates

When ordering escutcheons separately, specify the model number of the escutcheon plate suffixed with the spacing number. The spacing number indicates the hole preparation in the escutcheon plate to coordinate with the lock functions (i.e. CN87 x 201).

- 260, 261, & 262 used with CN escutcheon only. These are an assembly which includes indicator.
- 262 used with CN88 only



Model Number	Description
CN87	Inside for CN
CN88	Outside for CN
SL87	Inside for SL
SL88	Outside for SL
E1-87	Inside for E1
E1-88	Outside for E1
E2-87	Inside for E2
E2-88	Outside for E2
E3-87	Inside for E3
E3-88	Outside for E3
E4-87	Inside for E4
E4-88	Outside for E4

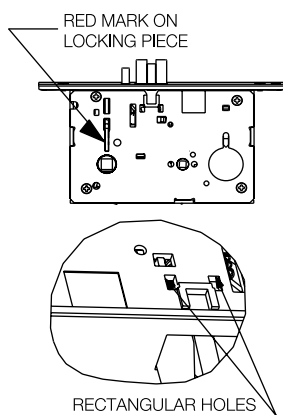
hanging/troubleshooting

hanging the 8800 mortise lock

Units Shipped Prior To March 2012

HANDING THE LATCHBOLT

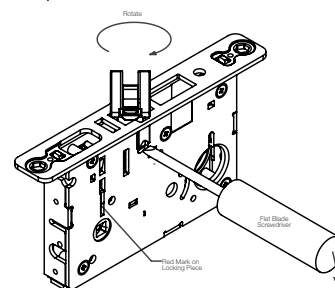
1. Locate and depress spring plate mechanism in one of the rectangular holes.
2. While depressing spring plate pull latchbolt head.
3. Rotate head for desired handing.
4. Push head into lockbody until secured.
5. Operate several times to insure operation.



Units Shipped After March 2012

HANDING THE LATCHBOLT

1. Insert a flat blade screwdriver into cover slot.
2. Pull back on screwdriver until latchbolt extends past the base front.
3. Rotate head to desired position.



HANDING THE HUBS (LEVER OPERATION)

1. Locate the red mark on locking piece
2. The red mark indicates the locked side
3. Push toggle button to the "Unlock" position
4. With a flat blade screwdriver push red mark on locking piece to rotate locking piece 180° to the desired location
5. The locking piece must be fully rotated 180° for proper operation

troubleshooting

Installation Trouble Shooting Tips		
Problem	Possible Cause	Solution
Difficult to operate lock by lever or by key.	Loose (Trim H.M. Doors) (Vibration caused by normal operation of door opening and closing can loosen attaching screws)	Adjust and tighten - as necessary. If screws continually loosen up, use a screw locking compound (such as Loctite) on all attaching screws.
	Door is warped or sagging, binding up latch bolt in strike cutout.	Check to see where latch is hanging up in strike. If door is sagging, tightening top hinge screws may solve problem. Hole in strike plate may have to be filed to relieve bind. Doors can warp when weather changes: warm inside - cold outside cool inside - hot outside (Exterior doors painted in a dark color are particularly susceptible to warpage when exposed to direct sunlight.) It may take a few seasonal changes to work out all binding problems.
Loose Trim (wood doors)	Wood doors after being installed will sometimes shrink slightly as the building dries out.	Tighten all screws as needed
Latch bolt hangs up in lock body	Foreign object in lock body (metal shavings, saw dust, wood particles, mineral ore etc.)	Remove lock from door and remove foreign object from body. *Lubricate if necessary.
	Lock body lacks lubrication or lubrication has gummed up with age.	Use penetrating or solvent type lubricant as a cleaning agent to loosen frozen or sticking components. Lubricate with silicon base or Lithium Grease.
Cylinder jams up	Dirt or other foreign object may be in keyway affecting operation.	Lubricate cylinder with graphite or other non-oily lubricant (such as Lock-EZE) Do not use oil based lubricants in Keyway.

online literature and templates

For the latest information on Yale Locks & Hardware products, visit our website at: www.yalelocks.com

Click on the “Product Information” button to find:

- Catalogs
- Parts manuals
- Templates
- Specifications
- Installation instructions

Yale® customers can click on the ebusiness symbol  on the website to register for an ebusiness account to:

- Check the status of orders
- Check availability of QuickShip items
- Track your order and confirm delivery
- Receive email notification of template changes

And More...

Or contact us at:

U.S.A.

Yale Locks & Hardware

Address: 225 Episcopal Road, Berlin, CT 06037-4004
Tel: 1-800-438-1951 • Fax: 1-800-338-0965 • www.yalelocks.com

Canada:

ASSA ABLOY Door Security Solutions Canada

Address: 160 Four Valley Drive, Vaughan, Ontario L4K 4T9
Tel: 1-800-461-3007 • Fax: 1-800-461-8989 • www.assaabloy.ca

International:

ASSA ABLOY Americas International

Tel: 1-905-821-7775 • Fax: 1-905-821-1429 • www.assaabloyai.com

Yale Locks & Hardware is a division of Yale Security Inc., an ASSA ABLOY Group company.

Yale® is a registered trademark of Yale Security Inc., an ASSA ABLOY Group company. Other products' brand names may be trademarks or registered trademarks of their respective owners and are mentioned for reference purposes only. These materials are protected under U.S. copyright laws. All contents current at time of publication. Yale Security Inc. reserves the right to change availability of any item in this catalog, its design, construction, and/or its materials. Copyright © 2004, 2013, Yale Security Inc., an ASSA ABLOY Group company. All rights reserved. Reproduction in whole or in part without the express written permission of the Yale Security Inc., an ASSA ABLOY Group company, is prohibited.

YALE, with its unique global reach and range of products, is the world's favorite lock.

ASSA ABLOY is the global leader in door opening solutions, dedicated to satisfying end-user needs for security, safety and convenience.