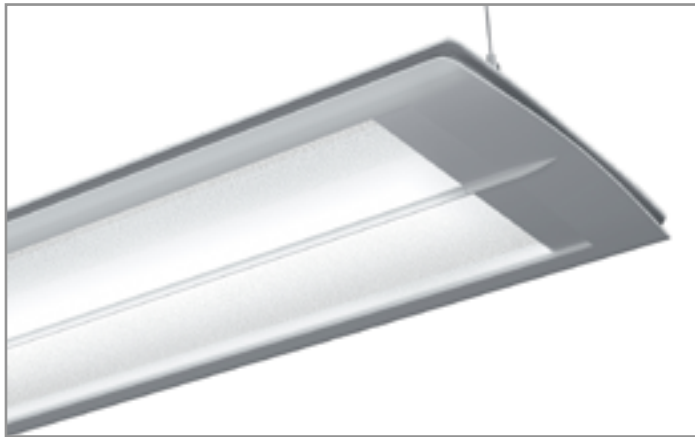


Project		Catalog #		Type	
Prepared by		Notes		Date	



Corelite

Divide - DSI

WaveStream™ LED
Suspended
Direct / Indirect

Typical Applications

Office • Education • Healthcare • Hospitality • Retail

Interactive Menu

- Order Information [page 2](#)
- Product Specifications [page 2](#)
- Quick-Tab Alignment [page 3](#)
- Photometric Data [page 3](#)
- Energy and Performance Data [page 3](#)
- Control Systems [page 4](#)
- Product Warranty

Top Product Features

- Leverages our patented WaveStream™ Technology with AccuAim™ optics
- Advanced optical control with optimal illumination
- Multiple lumen packages with efficacies up to 140 lumens per watt
- Modern, ultra-shallow design
- Available in 4', 8', and Continuous runs
- Options to meet Buy American Act requirements

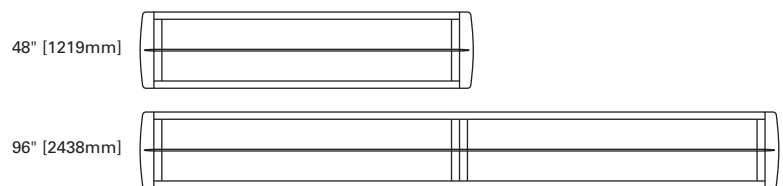
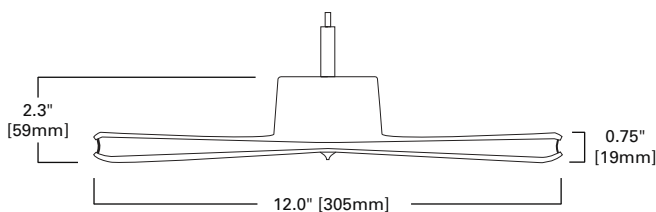
Product Certification



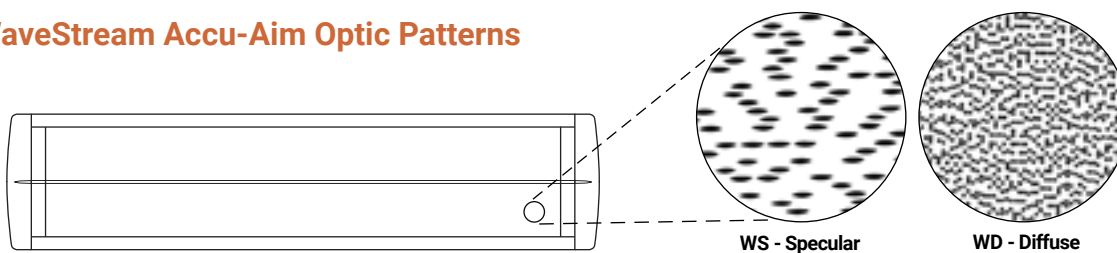
Product Features



Dimensions and Fixture Lengths



WaveStream Accu-Aim Optic Patterns



Order Information

SAMPLE ORDER NUMBER: **DSI-WS-40L835-1D-UNV-STD-WAA-DC-W-AC48-T1-16**

Domestic Preference	Series	Shielding	Lumen Package Nominal per 4' section	CRI	Color Temperature	Number of Circuits	Additional Circuiting	Input Voltage
[Blank] =Standard BAA =Buy American Act	DSI =Divide Suspended Direct / Indirect	WS =WaveStream Specular Optic WD =WaveStream Diffuse Optic	20L =2000 Lumens, (500 lms/ft) 30L =3000 Lumens, (750 lms/ft) 40L =4000 Lumens, (1,000 lms/ft) 50L =5000 Lumens, (1,250 lms/ft) 60L =6000 Lumens, (1,500 lms/ft)	8 =80+CRI 9 =90+CRI	30 =3000K 35 =3500K 40 =4000K 50 =5000K	1 =Single Circuit	D =None (Default Dimming) E =Emergency Circuit S =Secondary Circuit N =Emergency + Secondary Circuit	120 =120V 277 =277V UNV =Universal (120V-277V) 347 =347V
Notes Only product configurations with this designated prefix are built to be compliant with the Buy American Act of 1933 (BAA). Please refer to DOMESTIC PREFERENCES website for more information. Components shipped separately may be separately analyzed under domestic preference requirements.			Notes Refer to performance table on Page 3 for more detail.	Notes Additional lead-time may apply for 930, 935 and 940 configurations.	Notes Refers to wiring in cross section.	Notes Secondary circuit not available with integrated sensor options.	Notes Integral 347V driver with STD 0-10V option only. Factory supplied 347V remote transformer for all other driver options.	

Driver / Dimming Options	Integral Sensor	Integral Emergency	Top Cover	Finish	Suspension Length	Ceiling Type	Run Length
STD =Standard 0-10V (1%-100%) SR =Sensor Ready (1%-100%) SLT =Fifth Light DALI (1%-100%) LH =Lutron HiLume 1% EcoSystems	WAA =WaveLinx Wireless Integrated Sensor WAB =WaveLinx Lite Wireless Integrated Sensor LWIPD1 =Enlighted Wireless Integrated Sensor	EL14W =14-watt, 120V-277V Emergency Battery Pack EPC =UL924 Bypass Relay	DC =Dust Cover FC =Frosted Cover SC =Solid Cover (100% Down) (blank) =No Cover	W =White S =Silver B =Black CC =Custom Color	Adj. Cable AC48 =48" AC120 =120" AC240 =240" AC300 =300" AC360 =360"	T1 =15/16" T-Bar T9 =9/16" T-Bar TS =Slotted T-Bar JB =Junction Box /Structure UM =Universal Ceiling Kit (T1, T9, JB) S =Swivel at Cancopy (___=T1, T9, TS or JB)	4 =4 ft 8 =8 ft XX =Specify Row Length
Notes LH driver option not available in 20L lumen package.	Notes WAA and WAB sensor must be used with "STD" driver. LWI sensor must be used with "SR" sensor ready driver. Integrated Sensors combined with Emergency Circuit require one UL924 Bypass Relay per emergency section. SWPD1 has been renamed to WAA, but remains the same sensor.	Notes EPC option used to bypass local control during outage. Must be used in conjunction with UL1008 device (provided by others).	Notes Refer to photometric IES file data for top cover performance.		Notes White mounting hardware standard; for black mounting hardware, add "-B" after ceiling type.	Notes Standard row configurations over 8' consist of 4' and 8' luminaires.	

Product Specifications

Construction

- Constructed from extruded aluminum housing
- 2-1/4" x 12" housing
- Die-formed 20 gauge cold rolled steel

End Caps

- Precision engineered 2-piece die cast aluminum alloy
- Attach mechanically to the end of the fixture without exposed fasteners
- End cap adds 2-1/8" at each end

Lengths

- Available in 4 ft and 8ft sections
- Modular design eliminates the need for starter, intermediate, and end of run sections

Finish

- Electrostatically applied polyester powder coat paint
- White, Silver, or Black finish offered as standard
- RAL custom colors are available

Mounting

- Aircraft cable mounts on 4'-0" and 8'-0" on centers
- Fixture is balanced to allow for minimal leveling
- All sections are continuously wired with push-in connectors for fast installation
- Fixtures can be joined for straight continuous runs using Quick-Tab alignment features
- Refer to installation instructions for various ceiling interface details

Shielding / Optics

- Optical grade acrylic embedded with patented Accu-Aim™ micro-optics for optimal distribution, low glare, and high performance
- Specular (WS) or diffuse (WD) optical patterns are available to achieve the right look for any application
- Dust Cover (DC) option is a clear formed polycarbonate for worry free cleaning and protection
- Frosted Cover (FC) option is a frosted formed polycarbonate for worry free cleaning, reduced uplight, and protection
- Solid Cover (SC) option is a high reflectance white powder coat painted steel reflector for 100% downlight

LED and Light Engine

- LED's are available in 3000K, 3500K, 4000K
- CRI options of either ≥80CRI or ≥90CRI
- Lumen output will be affected - please refer to the lumen adjustment factor tables
- TM21 life at 60,000 hours up to L87 and calculated L70 exceeds 256,000 hrs
- Drivers available in 120-277V and 347V

Integrated Controls

- 0-10V dimming to 1% standard
- WaveLinx sensor compatible for IoT capability
- Enlighted sensor compatible for IoT capability
- WaveLinx Lite compatible for out-of-the-box functionality

Emergency Options

- Optional 14-watt 120-277V emergency battery illuminates a 4 ft. down-light section
- 90-minute backup period for code compliance

- Test switch/indicator button located on the top side of the luminaire
- Patented EZ Key prevents accidental discharge of the battery during construction
- For approximate delivered lumens multiply the lumens per watt of the desired fixture by the wattage of the emergency battery pack (100 lm/W x 14 = 1400 lumens)
- The combination of integrated sensor and emergency circuit options require an EPC UL924 bypass relay that disables sensor control of emergency sections when normal power is lost
- UL 924 emergency/generator transfer options available

Weight

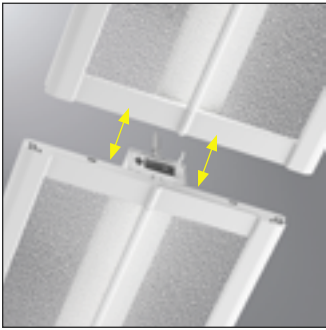
- 6.0 lbs. per foot

Compliance

- cULus listed for damp locations, 25°C ambient environments
- RoHS compliant
- Tested to IESNA LM-79 and LM-80
- Stated life per TM21 standards
- Can be used for State of California Title 24 high efficacy luminaire
- DesignLights Consortium™ Qualified and classified for DLC Standard and DLC Premium, refer to www.designlights.org for details

Warranty

- Five year warranty standard www.cooperlighting.com/legal

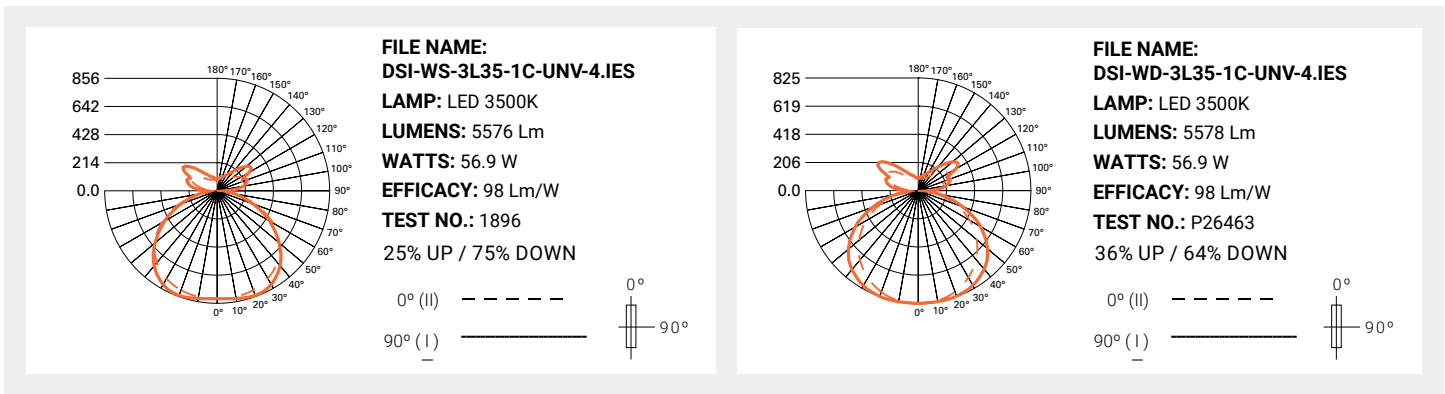


Quick-Tab Alignment

Corelite's patented quick-tab alignment system creates a seamless and simple installation every time. Simply align the tabs into the corresponding slots. The fixture can then hang freely while a single contractor makes the final connections; it all slides back together and is securely fastened in place.

Photometric Data

[View IES files](#)



Note: Refer to IES files for more product data.

Energy and Performance Data

Divide Suspended LED Light Level Outputs and Distribution (3500K, 80 CRI)								
Series	Lumen Package	Delivered Lumens		Wattage		Efficacy LPW	Distribution	
		4FT	Per FT	4FT	Per FT		% Up	% Down
DSI-WS	20L	2069	517	15.2	3.8	136	27%	73%
	30L	3000	750	22.4	5.6	134		
	40L	3995	999	29.9	7.5	134		
	50L	5039	1260	37.8	9.5	133		
	60L	5968	1492	46.7	11.7	128		
DSI-WD	20L	2123	531	15.2	3.8	140	29%	71%
	30L	3079	770	22.4	5.6	137		
	40L	4100	1025	29.9	7.5	137		
	50L	5172	1293	37.8	9.5	137		
	60L	6125	1531	46.7	11.7	131		

Lumen Adjustment Factors

CCT	80 CRI	90 CRI
3000K	0.955	0.830
3500K	1.000	0.861
4000K	1.012	0.883

Example Calculation:

WS / 40L / 3500K / 80 CRI
Lumen Output selected = 999 lms/ft

3500K / 90 CRI Desired

Lumen Adjustment Factor = 0.861

Adjusted Lumen Output = 999 lms/ft x 0.861 = 860 lms/ft

Color Data (3500K)

		80CRI
TM-30-15	R _f	82.3
	R _g	94.4
CRI/CIE	R _a	84.0
	R ₉	17.2

Lumen Maintenance

Ambient Temperature	TM-21 Lumen Maintenance (60,000 hours)	Theoretical L70 (Hours)
25°C	>87%	256,000

Control Systems

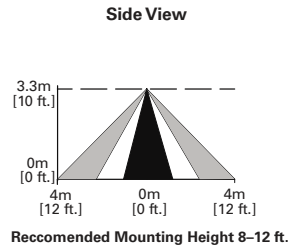
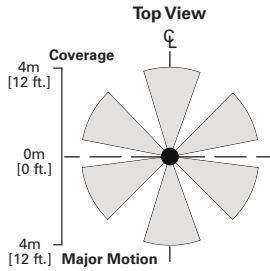
- WaveLinx Wireless
- WaveLinx Wired
- WaveLinx Lite
- Enlighted
- iLumin Plus
- VividTune



Connected Systems
[CLICK HERE](#)

The Divide with Integrated Sensor technology provides automatic energy savings without sacrificing performance. The Divide delivers superior lighting with integrated occupancy and daylighting controls. For standalone and controlled applications, the WaveLinx Lite integral sensor provides out-of-the-box functionality with no gateways required and factory startup is not needed. When more connectivity is required, the WaveLinx Wireless sensor meets modern code and utility requirements, delivers energy and cost savings, while enabling buildings to become smart buildings. The WaveLinx Wireless Connected Lighting System combined with Trellix provides an open IoT platform and infrastructure that connects intelligent sensors leveraging the real-estate of the physical light fixture to solve higher complexity problems to deliver actionable insights through the aggregation of valuable data.

For additional information integrated sensors and connected lighting, please visit [Cooper Lighting Solutions' Connected Lighting Website](#).



Sensor Integration

Integrated sensors are located in the middle of each 8' section and on the end of 4' sections for individual and continuous runs. Each section can be individually controlled or grouped together with the integrated sensors.

Systems comparison chart

Cooper Lighting Solutions provides many lighting system solutions designed to satisfy code requirements and meet the unique needs of any project.



Standalone



Controlled
WaveLinx Lite



Connected
WaveLinx Wireless



Enterprise
Trellix

	Standalone	Controlled WaveLinx Lite	Connected WaveLinx Wireless	Enterprise Trellix
Occupancy	Yes	Yes	Yes	Yes
Daylighting	Yes	Yes	Yes	Yes
Gateways	-	-	1 WAC	300 WACs
Devices	-	50 per Area (1400 per site)	150 per WAC	45,000 per Core Enterprise
Software	-	WaveLinx Lite Mobile App	WaveLinx Mobile App	Trellix Core
Areas	-	28 per Site	16 per WAC	up to 4,800
Zones	-	16 per Area	16 per Area	up to 76,800
Scheduling	-	-	Local	Global
VividTune™	-	-	Yes	Yes
Plug-Load Control	-	-	Yes	Yes
Integration	-	-	-	BACnet, API
Dashboards	-	-	-	Energy, Occupancy
Configuration	-	Installer	Technician	Technician / IT

SCALABILITY

