

INSTALLATION INSTRUCTIONS

A96US2V

Warm Air Gas Furnace
Upflow/Horizontal Left Air Discharge
Direct Vent & Non-Direct Vent



This manual must be left with the homeowner for future reference.



This is a safety alert symbol and should never be ignored. When you see this symbol on labels or in manuals, be alert to the potential for personal injury or death.

CAUTION

As with any mechanical equipment, personal injury can result from contact with sharp sheet metal edges. Be careful when you handle this equipment.

WARNING

Improper installation, adjustment, alteration, service or maintenance can cause property damage, personal injury or loss of life. Installation and service must be performed by a licensed professional installer (or equivalent), service agency or the gas supplier.

TABLE OF CONTENTS

Unit Dimensions	2	Joint Cementing Procedure	15
Parts Arrangement.....	3	Venting Practices.....	16
Gas Furnace.....	4	Vent Piping Guidelines	17
Shipping and Packing List	4	Gas Piping	39
Safety Information	4	Electrical	42
Use of Furnace as a Construction Heater	5	Integrated Control.....	47
General 6		Thermostat	48
Shipping Bolt Removal	9	Blower Motor Performance.....	52
Setting Equipment	9	Heating Sequence of Operation	51
Removing Bottom Panel.....	11	Gas Pressure Adjustment.....	64
Upflow Application ONLY.....	11	Other Unit Adjustments.....	65
Horizontal Application ONLY	11	High Altitude Information	65
Filters	13	Diagnostic.....	68
Duct System	13	Planned Service	76
Pipe and Fittings Specifications.....	13	Repair Parts List.....	77
Canadian Applications ONLY	14	Start Up Checklist.....	78
		



(P) 507404-02

Manufactured By
Allied Air Enterprises LLC
A Lennox International, Inc. Company
215 Metropolitan Drive
West Columbia, SC 29170

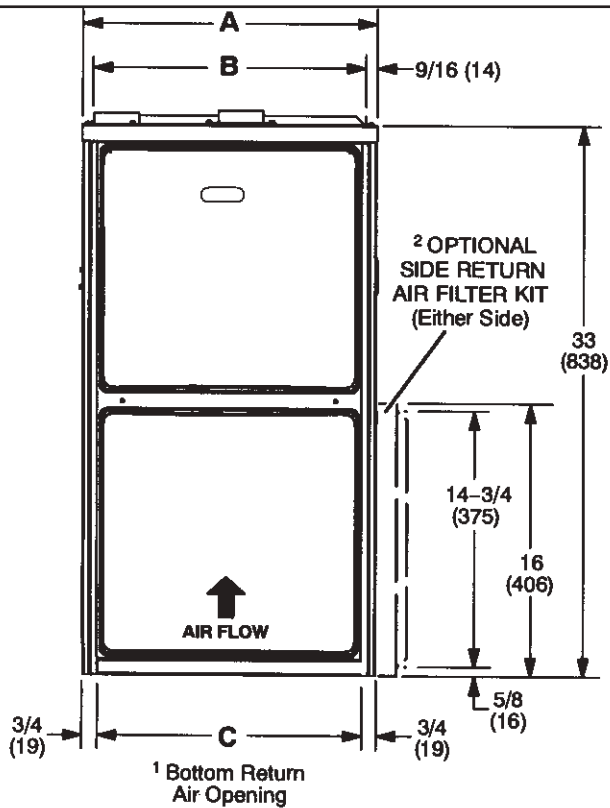
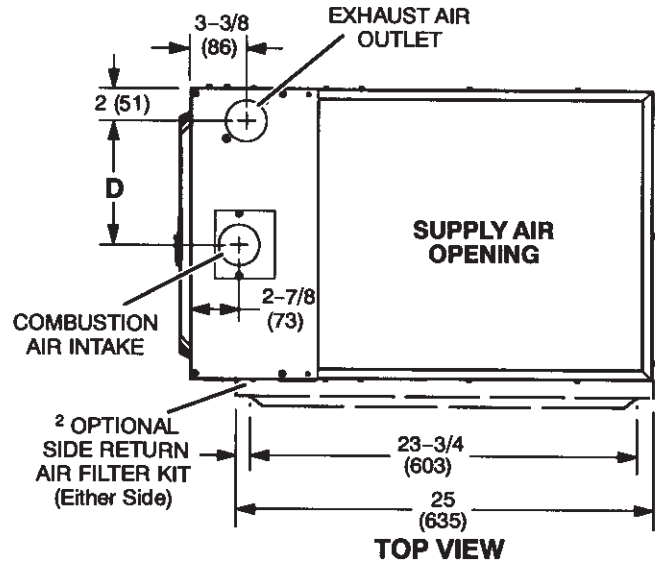
A96UH2V Unit Dimensions - inches (mm)

1 NOTE - 20 C/D (5 Ton) size units installed in upflow applications that require air volumes of 1800 cfm (850 L/s) or greater must have one of the following:

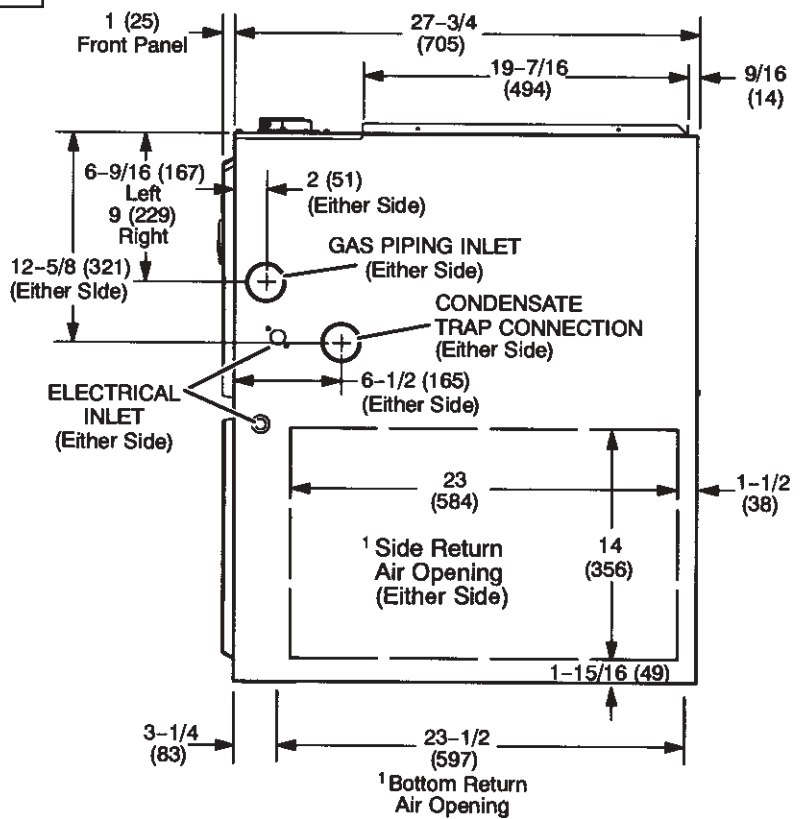
1. Single side return air with transition, to accommodate 20 x 25 x 1 in. (508 x 635 x 25 mm) air filter.
2. Single side return air with optional RAB Return Air Base
3. Bottom return air.
4. Return air from both sides.
5. Bottom and one side return air.

2 Optional External Side Return Air Filter kit is not for use with optional Return Air Base.

* Consider sizing requirements for optional IAQ equipment before cutting side return opening.



FRONT VIEW



SIDE VIEW

Model Number	A		B		C		D	
	in.	mm	in.	mm	in.	mm	in.	mm
A96UH2V								
045-12	17-1/2	448	16-3/8	416	16	406	7-5/8	194
070-12								
090-12	21	533	19-7/8	505	19-1/2	495	9-3/8	238
090-16								
090-20								
110-16								
110-20								
135-20	24-1/2	622	23-3/8	594	23	584	11-1/8	283

EXPANDED VIEW

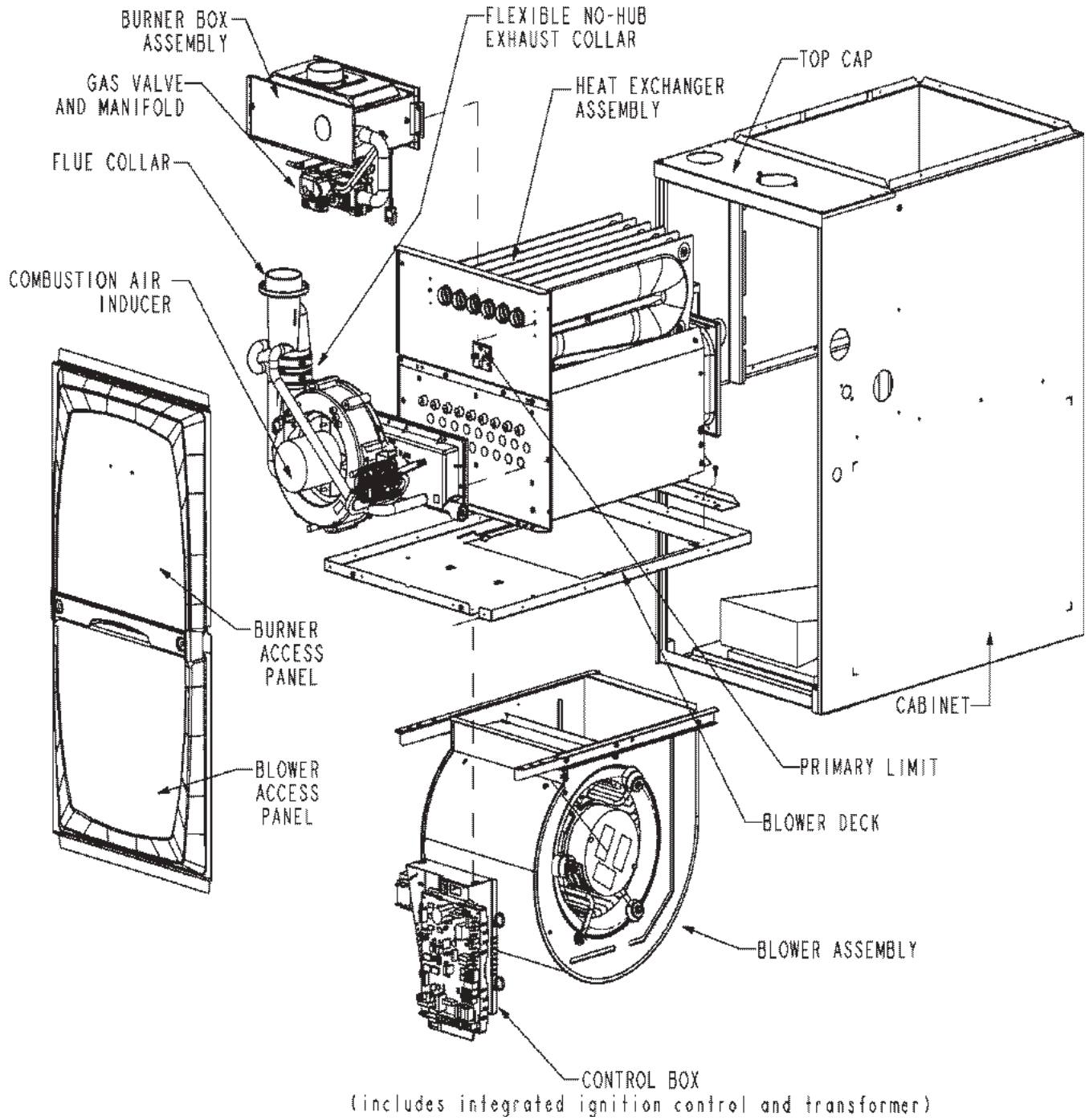


Figure 1

A96US2V Gas Furnace

The A96UH2V Category IV gas furnace is shipped ready for installation in the upflow or horizontal position. The furnace is shipped with the bottom panel in place. The bottom panel must be removed if the unit is to be installed in horizontal or upflow applications with bottom return air.

This furnace can be installed as either a Direct Vent or a Non-Direct Vent Gas Central Furnace.

The furnace is equipped for installation in natural gas applications. A conversion kit (ordered separately) is required for use in propane/LP gas applications.

NOTE: In Direct Vent installations, combustion air is taken from outdoors and flue gases are discharged outdoors. Non-Direct Vent installations, combustion air is taken from indoors or a ventilated attic or crawl space and flue gases are discharged outdoors. See Figures 2A and 2B for applications involving roof termination.

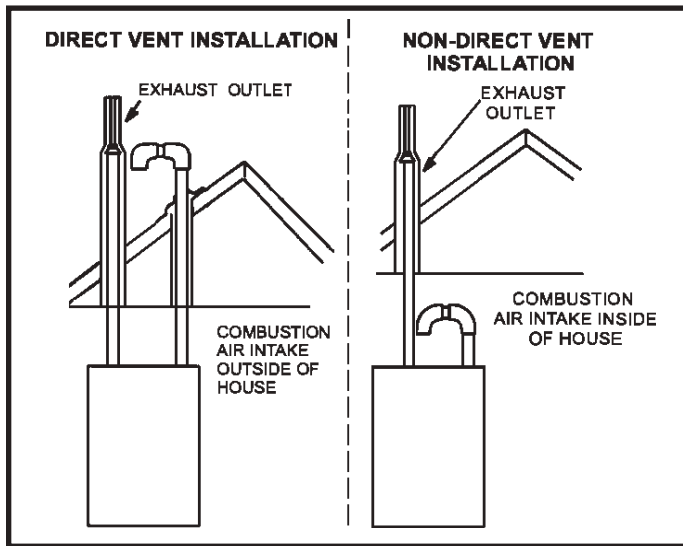


Figure 2A

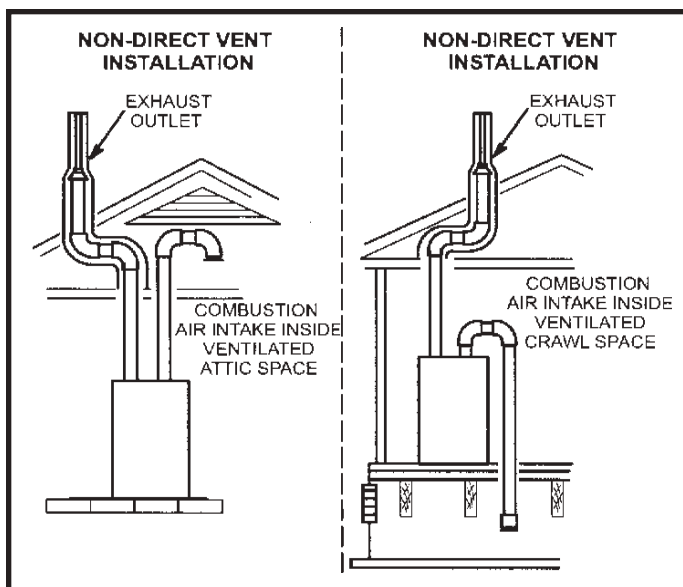


Figure 2B

Shipping and Packing List

- 1 - Assembled Gas Furnace
- 1 - Bag assembly containing the following:
 - 1 - Snap bushing
 - 1 - Snap Plug
 - 1 - Wire tie
 - 1 - Condensate trap
 - 1 - Condensate trap cap
 - 1 - Condensate trap clamp
 - 1 - 2" Diameter debris screen
 - 1 - 3/4" Threaded street elbow

Check equipment for shipping damage. If you find any damage, immediately contact the last carrier.

Please refer to specification sheets for available accessories.

Safety Information

WARNING

Improper installation, adjustment, alteration, service or maintenance can cause property damage, personal injury or loss of life. Installation and service must be performed by a licensed professional installer (or equivalent), service agency or the gas supplier.

CAUTION

As with any mechanical equipment, personal injury can result from contact with sharp sheet metal edges. Be careful when you handle this equipment.

DANGER

DANGER OF EXPLOSION!

There are circumstances in which odorant used with LP/Propane gas can lose its scent. In case of a leak, LP/Propane gas will settle close to the floor and may be difficult to smell. An LP/Propane leak detector should be installed in all LP applications.

Use only the type of gas approved for use with this furnace. Refer to unit nameplate.

These units are CSA International certified to ANSI Z21.47 and CSA 2.3 standards.

Building Codes

In the USA, installation of gas furnaces must conform with local building codes. In the absence of local codes, units must be installed according to the current National Fuel Gas Code (ANSI Z223.1/NFPA 54). The National Fuel Gas Code is available from the **American National Standards Institute, Inc., 11 West 42nd Street, New York, NY 10036.**

In Canada, installation must conform with current National Standard of Canada CSA-B149 Natural Gas and Propane Installation Codes, local plumbing or waste water codes and other applicable local codes.

In order to ensure proper unit operation in non-direct vent applications, combustion and ventilation air supply must be provided according to the current National Fuel Gas Code or CSA-B149 standard.

Installed Locations

This furnace is CSA International certified for installation clearances to combustible material as listed on the unit nameplate and in the table in Figures 12 and 17. Accessibility and service clearances must take precedence over fire protection clearances.

NOTE: For installation on combustible floors, the furnace shall not be installed directly on carpeting, tile, or other combustible material other than wood flooring.

For installation in a residential garage, the furnace must be installed so that the burner(s) and the ignition source are located no less than 18 inches (457 mm) above the floor. The furnace must be located or protected to avoid physical damage by vehicles. When a furnace is installed in a public garage, hangar, or other building that has a hazardous atmosphere, the furnace must be installed according to recommended good practice requirements and current National Fuel Gas Code or CSA B149 standards.

NOTE: Furnace must be adjusted to obtain a temperature rise within the range specified on the unit nameplate. Failure to do so may cause erratic limit operation and premature heat exchanger failure.

This furnace must be installed so that its electrical components are protected from water.

Installed in Combination with a Cooling Coil

When this furnace is used with cooling units (Figure 3), it shall be installed in parallel with, or on the upstream side of, cooling units to avoid condensation in the heating compartment. With a parallel flow arrangement, a damper (or other means to control the flow of air) must adequately prevent chilled air from entering the furnace. If the damper is manually operated, it must be equipped to prevent operation of either the heating or the cooling unit, unless it is in the full **HEAT** or **COOL** setting.

When installed, this furnace must be electrically grounded according to local codes. In addition, in the United States, installation must conform with the current National Electric Code, ANSI/NFPA No. 70. The National Electric Code (ANSI/NFPA No. 70) is available from the following address:

National Fire Protection Association
1 Battery March Park
Quincy, MA 02269

In Canada, all electrical wiring and grounding for the unit must be installed according to the current regulations of the Canadian Electrical Code Part I (CSA Standard C22.1) and/or local codes.

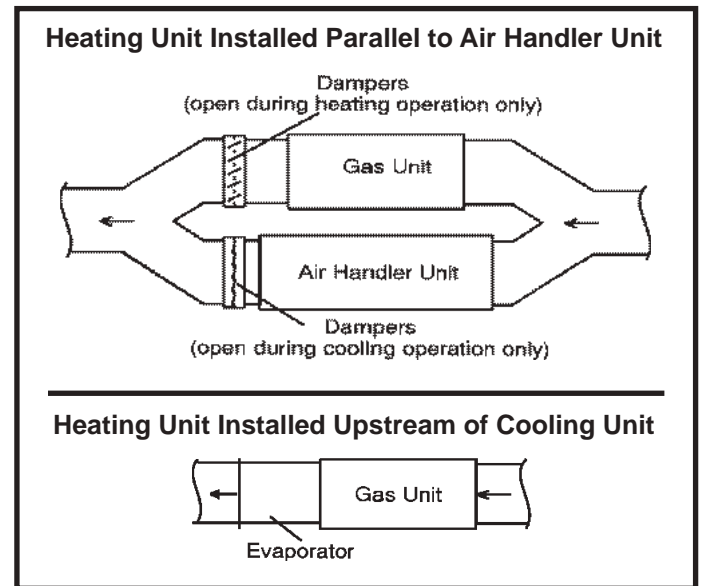


Figure 3

NOTE: This furnace is designed for a minimum continuous return air temperature of 60°F (16°C) or an intermittent operation down to 55°F (13°C) dry bulb for cases where a night setback thermostat is used. Return air temperature must not exceed 85°F (29°C) dry bulb.

This furnace may be installed in alcoves, closets, attics, basements, garages, and utility rooms in the upflow or horizontal position.

This furnace design has not been CSA certified for installation in mobile homes, recreational vehicles, or outdoors.

Use of Furnace as a Construction Heater

These units are not recommended for use as a construction heater during any phase of construction. Very low return air temperature, harmful vapors and operation of the unit with clogged or misplaced filters will damage the unit.

These units may be used for heating of buildings or structures under construction, if the following conditions are met:

- The vent system must be permanently installed per these installation instructions.
- A room thermostat must control the furnace. The use of fixed jumpers that will provide continuous heating is not allowed.
- The return air duct must be provided and sealed to the furnace.
- Return air temperature range between 60°F (16°C) and 80°F (27°C) must be maintained.
- Air filters must be installed in the system and must be maintained during construction.
- Air filters must be replaced upon construction completion.

- The input rate and temperature rise must be set per the furnace rating plate.
- One hundred percent (100%) outdoor air must be provided for combustion air requirements during construction. Temporary ducting may supply outdoor air to the furnace. Do not connect duct directly to the furnace. Size the temporary duct following the instructions in section for Combustion, Dilution and Ventilation Air in a confined space with air from outside.
- The furnace heat exchanger, components, duct system, air filters and evaporator coils must be thoroughly cleaned following final construction cleanup.
- All furnace operating conditions (including ignition, input rate, temperature rise and venting) must be verified according to these installation instructions.

General

These instructions are intended as a general guide and do not supersede local codes in any way. Consult authorities having jurisdiction before installation.

In addition to the requirements outlined previously, the following general recommendations must be considered when installing one of these furnaces:

- Place the furnace as close to the center of the air distribution system as possible. The furnace should also be located close to the chimney or vent termination point.
- When the furnace is installed in an attic or other insulated space, keep insulation away from the furnace.
- When the furnace is installed in non-direct vent applications, do not block the furnace combustion air opening with clothing, boxes, doors, etc. Air is needed for proper combustion and safe unit operation.
- When the furnace is installed in an attic or other insulated space, keep insulation away from the furnace.
- When the furnace is installed in an unconditioned space, consider provisions required to prevent freezing of condensate drain system.

Note: The Commonwealth of Massachusetts stipulates these additional requirements:

- Gas furnaces shall be installed by a licensed plumber or fitter only.
- The gas cock must be “T handle” type.
- When a furnace is installed in an attic, the passageway to and service area surrounding the equipment shall be floored.

CAUTION

These units should not be installed in areas normally subject to freezing temperatures.

WARNING

The State of California has determined that this product may contain or produce a chemical or chemicals, in very low doses, which may cause serious illness or death. It may also cause cancer, birth defects or other reproductive harm.

Combustion, Dilution & Ventilation Air

If this unit is installed as a Non-Direct Vent Furnace, follow the guidelines in this section.

NOTE: *In Non-Direct Vent Installations, combustion air is taken from indoors and flue gases are discharged outdoors.*

WARNING

Insufficient combustion air can cause headaches, nausea, dizziness or asphyxiation. It will also cause excess water in the heat exchanger resulting in rusting and premature heat exchanger failure. Excessive exposure to contaminated combustion air will result in safety and performance related problems. Avoid exposure to the following substances in the combustion air supply:

- Permanent wave solutions
- Chlorinated waxes and cleaners
- Chlorine base swimming pool chemicals
- Water softening chemicals
- De-icing salts or chemicals
- Carbon tetrachloride
- Halogen type refrigerants
- Cleaning solvents (such as perchloroethylene)
- Printing inks, paint removers, varnishes, etc.
- Hydrochloric acid
- Cements and glues
- Antistatic fabric softeners for clothes dryers
- Masonry acid washing materials

In the past, there was no problem in bringing in sufficient outdoor air for combustion. Infiltration provided all the air that was needed. In today’s homes, tight construction practices make it necessary to bring in air from outside for combustion. Take into account that exhaust fans, appliance vents, chimneys, and fireplaces force additional air that could be used for combustion out of the house. Unless outside

air is brought into the house for combustion, negative pressure (outside pressure is greater than inside pressure) will build to the point that a down draft can occur in the furnace vent pipe or chimney. As a result, combustion gases enter the living space creating a potentially dangerous situation.

In the absence of local codes concerning air for combustion and ventilation, use the guidelines and procedures in this section to install these furnaces to ensure efficient and safe operation. You must consider combustion air needs and requirements for exhaust vents and gas piping. A portion of this information has been reprinted with permission from the National Fuel Gas Code (ANSI-Z223.1/NFPA 54). This reprinted material is not the complete and official position of ANSI on the referenced subject, which is represented only by the standard in its entirety.

In Canada, refer to the CSA B149 Installation codes.

CAUTION

Do not install the furnace in a corrosive or contaminated atmosphere. Meet all combustion and ventilation air requirements, as well as all local codes.

All gas-fired appliances require air for the combustion process. If sufficient combustion air is not available, the furnace or other appliance will operate inefficiently and unsafely. Enough air must be provided to meet the needs of all fuel-burning appliances and appliances such as exhaust fans which force air out of the house. When fireplaces, exhaust fans, or clothes dryers are used at the same time as the furnace, much more air is required to ensure proper combustion and to prevent a down draft. Insufficient air causes incomplete combustion which can result in carbon monoxide.

In addition to providing combustion air, fresh outdoor air dilutes contaminants in the indoor air. These contaminants may include bleaches, adhesives, detergents, solvents and other contaminants which can corrode furnace components.

The requirements for providing air for combustion and ventilation depend largely on whether the furnace is installed in an unconfined or a confined space.

Unconfined Space

An unconfined space is an area such as a basement or large equipment room with a volume greater than 50 cubic feet (1.42 m³) per 1,000 Btu (.29 kW) per hour of the combined input rating of all appliances installed in that space. This space also includes adjacent rooms which are not separated by a door. Though an area may appear to be unconfined, it might be necessary to bring in outdoor air for combustion if the structure does not provide enough air by

infiltration. If the furnace is located in a building of tight construction with weather stripping and caulking around the windows and doors, follow the procedures in the “Air from Outside” section.

Confined Space

A confined space is an area with a volume less than 50 cubic feet (1.42 m³) per 1,000 Btu (.29 kW) per hour of the combined input rating of all appliances installed in that space. This definition includes furnace closets or small equipment rooms.

When the furnace is installed so that supply ducts carry air circulated by the furnace to areas outside the space containing the furnace, the return air **must be** handled by ducts which are sealed to the furnace casing and which terminate outside the space containing the furnace. This is especially important when the furnace is mounted on a platform in a confined space such as a closet or small equipment room. Even a small leak around the base of the unit at the platform or at the return air duct connection can cause a potentially dangerous negative pressure condition. Air for combustion and ventilation can be brought into the confined space either from inside the building or from outside.

Air from Inside

If the confined space that houses the furnace adjoins a space categorized as unconfined, air can be brought in by providing two permanent openings between the two spaces. Each opening must have a minimum free area of 1 square inch (645 mm²) per 1,000 Btu (.29 kW) per hour of total input rating of all gas-fired equipment in the confined space. Each opening must be at least 100 square inches (64516 mm²). One opening shall be within 12 inches (305 mm) of the top of the enclosure and one opening within 12 inches (305 mm) of the bottom. See Figure 4.

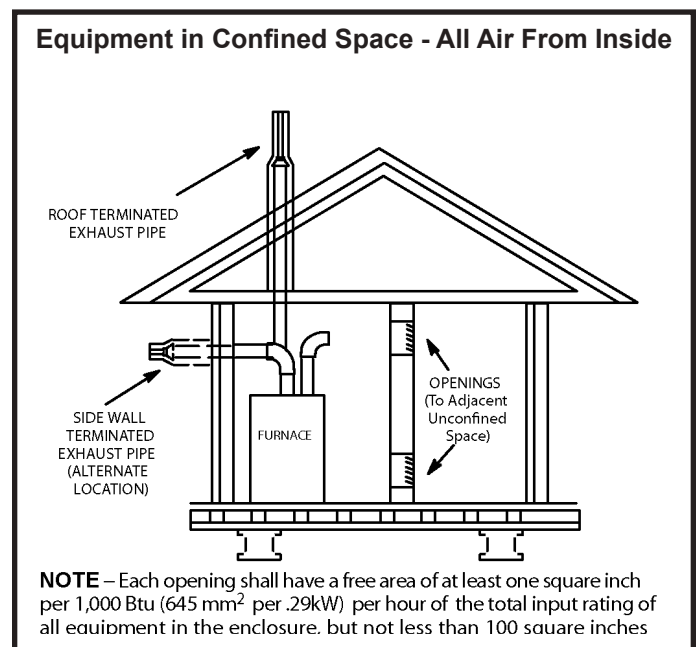
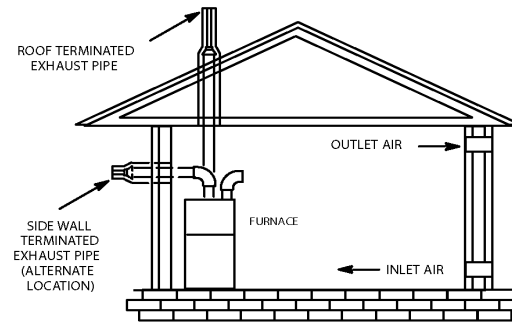


Figure 4

Air from Outside

If air from outside is brought in for combustion and ventilation, the confined space shall be provided with two permanent openings. One opening shall be within 12" (305 mm) of the top of the enclosure and one within 12" (305 mm) of the bottom. These openings must communicate directly or by ducts with the outdoors or spaces (crawl or attic) that freely communicate with the outdoors or indirectly through vertical ducts. Each opening shall have a minimum free area of 1 square inch per 4,000 Btu (645 mm² per .59 kW) per hour of the total input rating of all equipment in the enclosure (See Figures 5 and 6). It is also permissible to bring air for combustion from a ventilated attic (Figure 8) or ventilated crawl space (Figure 9).

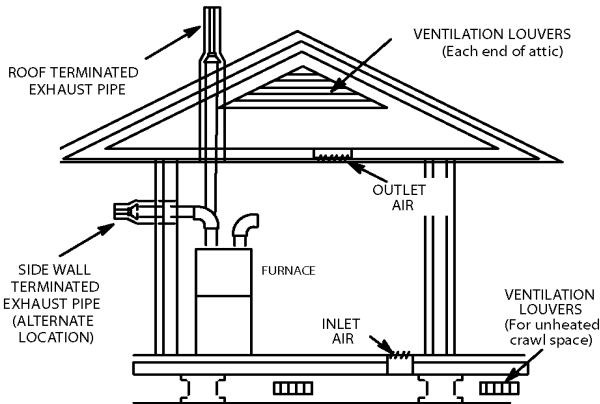
Equipment in Confined Space - All Air from Outside



NOTE: Each air duct opening shall have a free area of at least one square inch per 2,000 Btu (645 mm² per .59 kW) per hour of the total input rating of all equipment in the enclosure. If the equipment room is located against an outside wall and the air openings communicate directly with the outdoors, each opening shall have a free area of at least 1 square inch per 4,000 Btu (645 mm² per 1.17 kW) per hour of the total input rating of all other equipment in the enclosure.

Figure 7

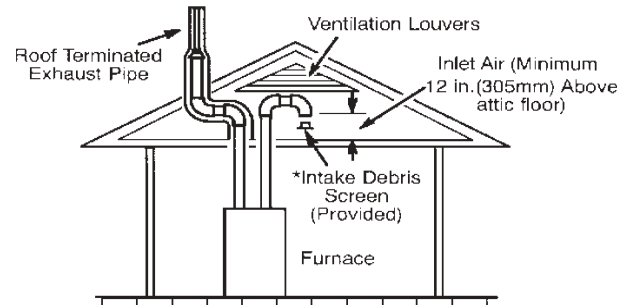
Equipment in Confined Space - All Air from Outside (Inlet Air from Crawl Space and Outlet Air to Ventilating Attic)



NOTE—The inlet and outlet air openings shall each have a free area of at least one square inch per 4,000 Btu (645 mm² per 1.17kW) per hour of the total input rating of all equipment in the enclosure.

Figure 5

Equipment in Confined Space (Inlet Air from Ventilating Attic and Outlet Air to Outside)



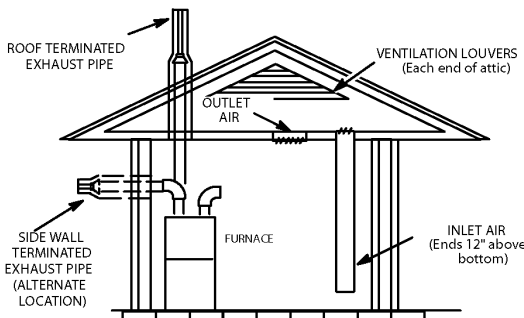
* See table 5C for maximum vent lengths

NOTE—The inlet and outlet air openings shall each have a free area of at least one square inch per 4,000 Btu (645mm² per 1.17kW) per hour of the total input rating of all equipment in the enclosure.

Figure 8

When communicating with the outdoors through horizontal ducts, each opening shall have a minimum free area of 1 square inch (645 mm²) per 2,000 Btu (.56 kW) per hour of the total input rating of all equipment in the enclosure. See Figure 7.

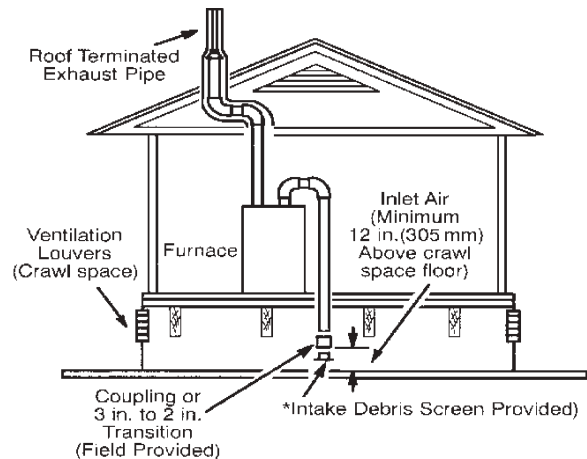
Equipment in Confined Space - All Air from Outside (All Air through Ventilating Attic)



NOTE—The inlet and outlet air openings shall each have a free area of at least one square inch per 4,000 Btu (645mm² per 1.17kW) per hour of the total input rating of all equipment in the enclosure.

Figure 6

Equipment in Confined Space (Inlet Air from Ventilating Crawlspace and Outlet Air to Outside)



* See table 5C for maximum vent lengths

NOTE—The inlet and outlet air openings shall each have a free area of at least one square inch per 4,000 Btu (645mm² per 1.17kW) per hour of the total input rating of all equipment in the enclosure.

Figure 9

When ducts are used, they shall be of the same cross-sectional area as the free area of the openings to which they connect. The minimum dimension of rectangular air ducts shall be no less than 3 inches (75 mm). In calculating free area, the blocking effect of louvers, grilles, or screens must be considered. If the design and free area of protective covering is not known for calculating the size opening required, it may be assumed that wood louvers will have 20 to 25 percent free area and metal louvers and grilles will have 60 to 75 percent free area. Louvers and grilles must be fixed in the open position or interlocked with the equipment so that they are opened automatically during equipment operation.

Shipping Bolt Removal

Units with 1/2 hp blower motor are equipped with three flexible legs and one rigid leg. The rigid leg is equipped with a shipping bolt and a flat white plastic washer (rather than the rubber mounting grommet used with a flexible mounting leg). See Figure 10. **The bolt and washer must be removed before the furnace is placed into operation.** After the bolt and washer have been removed, the rigid leg will not touch the blower housing.

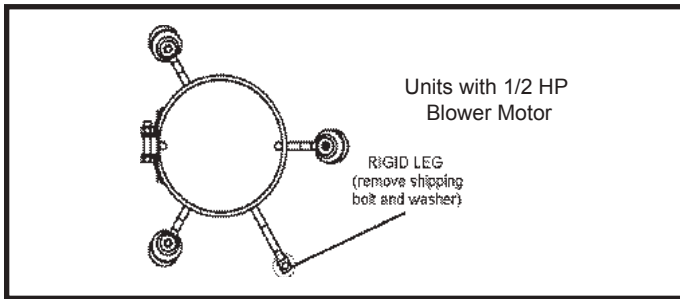


Figure 10

INSTALLATION

Setting Equipment

⚠ WARNING

Do not connect the return air ducts to the back of the furnace. Doing so will adversely affect the operation of the safety control devices, which could result in personal injury or death.

⚠ WARNING

Blower access panel must be securely in place when blower and burners are operating. Gas fumes, which could contain carbon monoxide, can be drawn into living space resulting in personal injury or death.

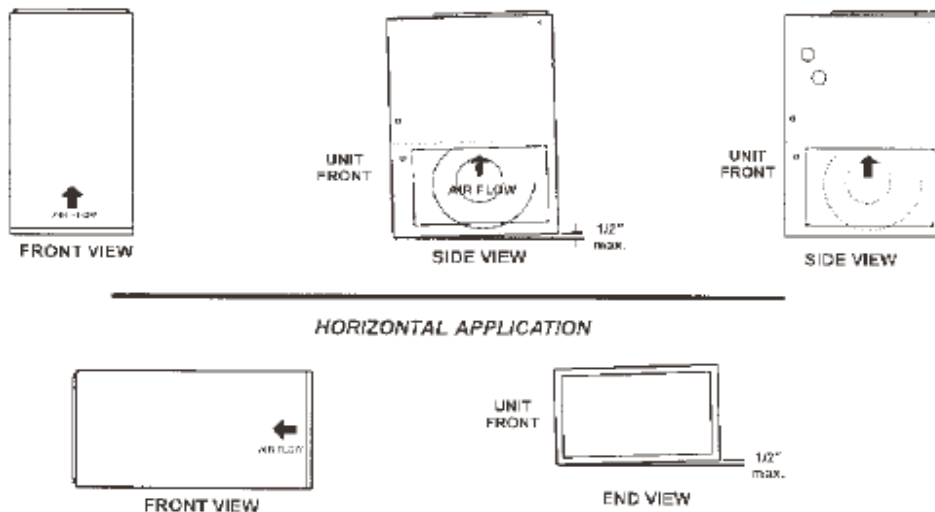
Upflow Applications

The gas furnaces can be installed as shipped in the upflow position. Refer to Figure 12 for clearances. Select a location that allows for the required clearances that are listed on the unit nameplate. Also consider gas supply connections, electrical supply, vent connection, condensate trap and drain connections, and installation and service clearances [24 inches (610 mm) at unit front]. *The unit must be level from side to side. Tilt the unit slightly (maximum 1/2 in. from level) from back to front to aid in the draining of the heat exchanger.* See Figure 11.

Allow for clearances to combustible materials as indicated on the unit nameplate.

SETTING EQUIPMENT

Unit must be level side-to-side in all applications.



Tilt the unit slightly (Max. 1/2") from back to front to aid in the draining of the heat exchanger.

Figure 11

WARNING

Improper installation of the furnace can result in personal injury or death. Combustion and flue products must never be allowed to enter the return air system or air in the living space. Use sheet metal screws and joint tape to seal return air system to furnace.

In platform installations with furnace return, the furnace should be sealed airtight to the return air plenum. A door must never be used as a portion of the return air duct system. The base must provide a stable support and an airtight seal to the furnace. Allow absolutely no sagging, cracks, gaps, etc.

For no reason should return and supply air duct systems ever be connected to or from other heating devices such as a fireplace or stove, etc. Fire, explosion, carbon monoxide poisoning, personal injury and/or property damage could result.

Return Air Guidelines

Return air can be brought in through the bottom or either side of the furnace installed in an upflow application. If the furnace is installed on a platform with bottom return, make an airtight seal between the bottom of the furnace and the platform to ensure that the furnace operates properly and safely. The furnace is equipped with a removable bottom panel to facilitate installation.

Markings are provided on both sides of the furnace cabinet for installations that require side return air. Cut the furnace cabinet at the maximum dimensions shown on page 2.

Furnace applications which include side return air and a condensate trap installed on the same side of the cabinet (trap can be installed remotely within 5 ft.) require either a return air base or field-fabricated transition to accommodate an optional IAQ accessory taller than 14.5". See Figure 13.

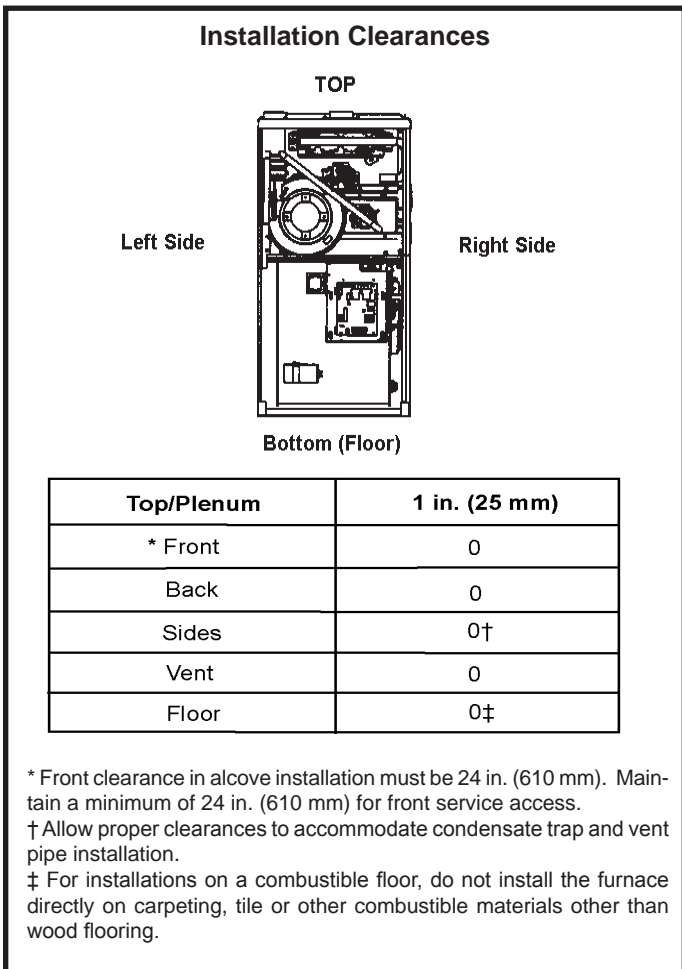


Figure 12

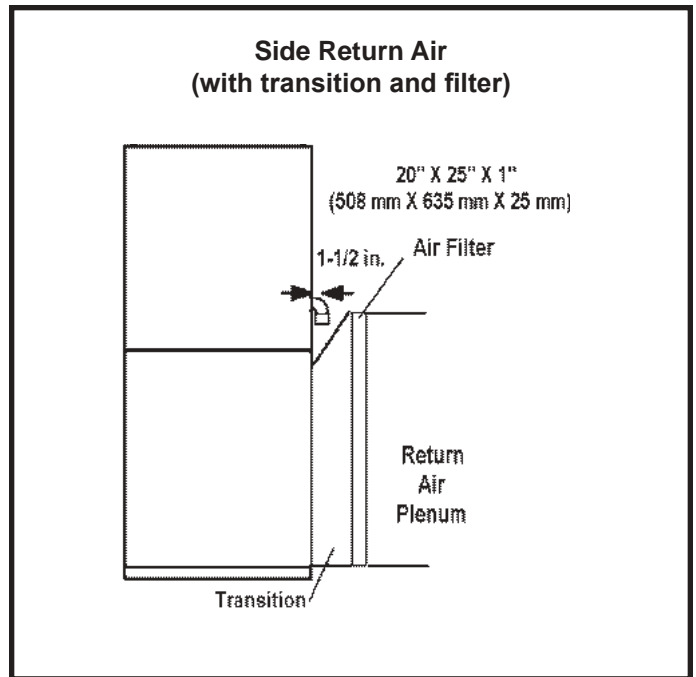
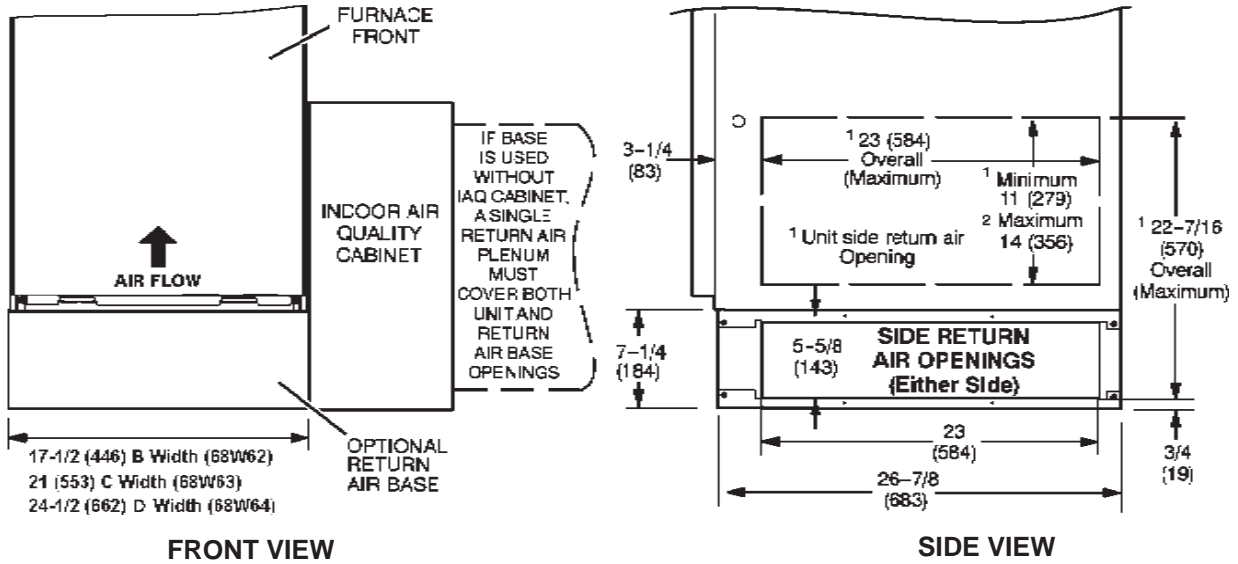


Figure 13

Optional Return Air Base (Upflow Applications Only)



NOTE: Optional side return air filter kits are not for use with return air base.

1 Both the unit return air opening and the base return air opening must be covered by a single plenum or IAQ cabinet.

Minimum unit side return air opening dimensions for units requiring 1800 cfm or more of air (W x H): 23 x 11 in. (584 x 279 mm). The opening can be cut as needed to accommodate plenum or IAQ cabinet while maintaining dimensions shown.

Side return air openings must be cut in the field. There are cutting guides stenciled on the cabinet for the side return air opening. The size of the opening must not extend beyond the markings on the furnace cabinet.

2 To minimize pressure drop, the largest opening height possible (up to 14 inches) is preferred.

Figure 14

Removing the Bottom Panel

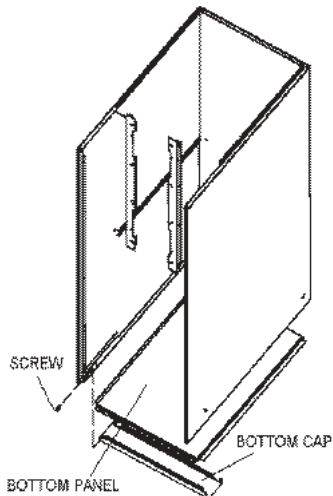


Figure 15

Removing the Bottom Panel

Remove the two screws that secure the bottom cap to the furnace. Pivot the bottom cap down to release the bottom

panel. Once the bottom panel has been removed, reinstall the bottom cap. See Figure 15.

Horizontal Applications



Do not install the furnace on its front or its back. See Figure 12.

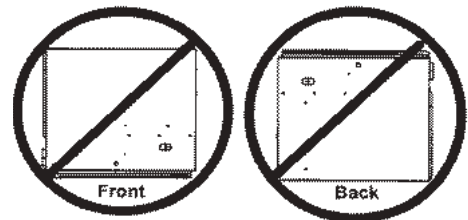


Figure 16

This furnace can be installed in horizontal applications with either right or left hand air discharge.

Refer to Figure 17 for clearances in horizontal applications.

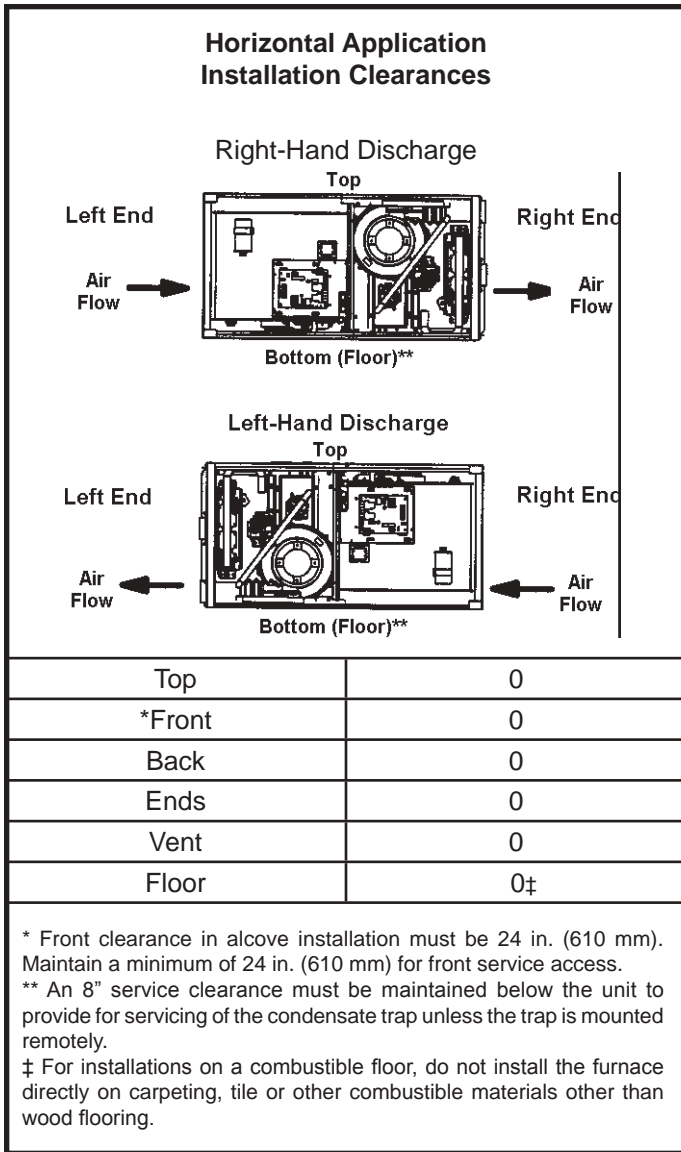


Figure 17

Suspended Installation of Horizontal Unit

This furnace may be installed in either an attic or a crawl space. Either suspend the furnace from roof rafters or floor joists, as shown in Figure 18, or install the furnace on a platform, as shown in Figure 19. A horizontal suspension kit (51W10) may be ordered from your distributor or use equivalent.

NOTE: Heavy-gauge sheet metal straps may be used to suspend the unit from roof rafters or ceiling joists. When straps are used to suspend the unit in this way, support must be provided for both the ends. The straps must not interfere with the plenum or exhaust piping installation.

Cooling coils and supply and return air plenums must be supported separately.

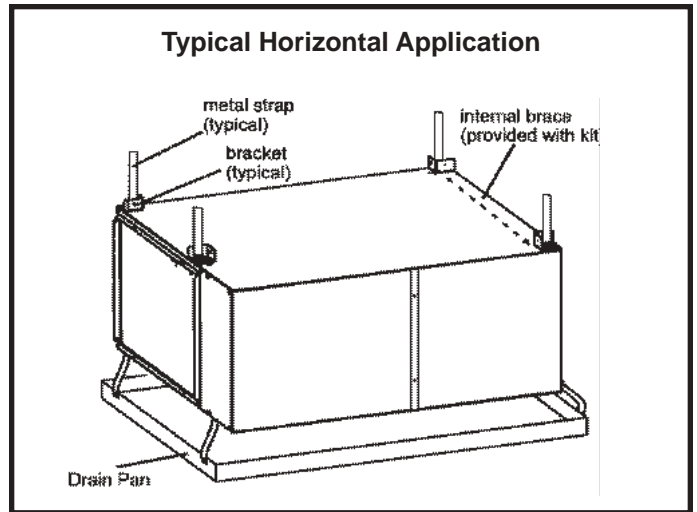


Figure 18

NOTE: When the furnace is installed on a platform or with the horizontal suspension kit in a crawl space, it must be elevated enough to avoid water damage, accommodate drain trap and to allow the evaporator coil to drain.

Platform Installation of Horizontal Unit

1. Select location for unit keeping in mind service and other necessary clearances. See Figure 17.
2. Construct a raised wooden frame and cover frame with a plywood sheet. If unit is installed above finished space, fabricate an auxiliary drain pan to be installed under unit. Set unit in drain pan as shown in Figure 19. Leave 8 inches for service clearance below unit for condensate trap.
3. Provide a service platform in front of unit. When installing the unit in a crawl space, a proper support platform may be created using cement blocks.
4. Route auxiliary drain line so that water draining from this outlet will be easily noticed by the homeowner.
5. If necessary, run the condensate line into a condensate pump to meet drain line slope requirements. The pump must be rated for use with condensing furnaces. Protect the condensate discharge line from the pump to the outside to avoid freezing.
6. Continue with exhaust, condensate and intake piping installation according to instructions.

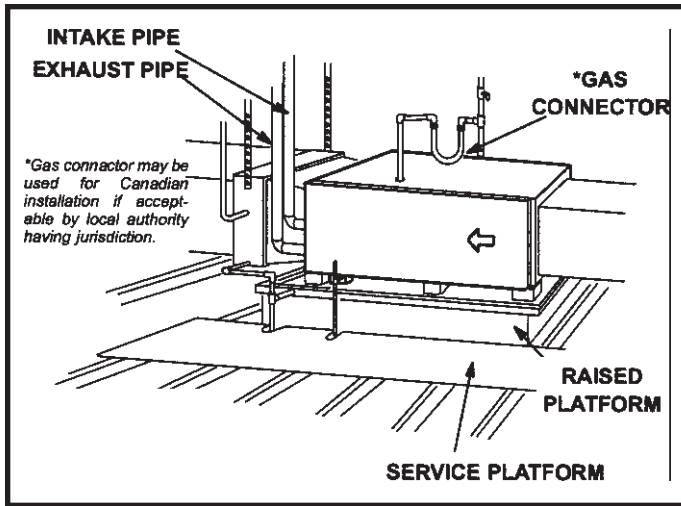


Figure 19

Return Air - Horizontal Applications

Return air may be brought in only through the end of a furnace installed in the horizontal position. The furnace is equipped with a removable bottom panel to facilitate installation. See Figure 13.

Filters

This unit is not equipped with a filter or rack. A field provided filter is required for the unit to operate properly. Table 1 list recommended filter sizes.

A filter must be in place whenever the unit is operating.

Furnace Cabinet Width	Filter Size	
	Side Return	Bottom Return
17-1/2"	16 X 25 X 1	16 X 25 X 1
21"	16 X 25 X 1	20 X 25 X 1
24-1/2"	16 X 25 X 1	24 X 25 X 1

Table 1

Duct System

Use industry approved standards to size and install the supply and return air duct system. This will result in a quiet and low-static system that has uniform air distribution.

NOTE: This furnace is not certified for operation in heating mode (indoor blower operating at selected heating speed) with an external static pressure which exceeds 0.8 inches w.c. Operation at these conditions may result in improper limit operation.

Supply Air Plenum

If the furnace is installed without a cooling coil, a removable access panel should be installed in the supply air duct. The access panel should be large enough to permit inspection (by reflected light) of the heat exchanger for leaks after the furnace is installed. The furnace access panel must always be in place when the furnace is operating and it must not allow leaks into the supply air duct system.

Return Air Plenum

NOTE: Return air must not be drawn from a room where this furnace, or any other gas fueled appliance (i.e., water heater), or carbon monoxide producing device (i.e., wood fireplace) is installed.

When return air is drawn from a room, a negative pressure is created in the room. If a gas appliance is operating in a room with negative pressure, the flue products can be pulled back down the vent pipe and into the room. This reverse flow of the flue gas may result in incomplete combustion and the formation of carbon monoxide gas. This raw gas or toxic fumes might then be distributed throughout the house by the furnace duct system.

Return air can be brought in through the bottom or either side of the furnace. If a furnace with bottom return air is installed on a platform, make an airtight seal between the bottom of the furnace and the platform to ensure that the unit operates properly and safely. Use fiberglass sealing strips, caulking, or equivalent sealing method between the plenum and the furnace cabinet to ensure a tight seal. If a filter is installed, size the return air duct to fit the filter frame.

Pipe & Fittings Specifications

All pipe, fittings, primer and solvent cement must conform with American National Standard Institute and the American Society for Testing and Materials (ANSI/ASTM) standards. The solvent shall be free flowing and contain no lumps, undissolved particles or any foreign matter that adversely affects the joint strength or chemical resistance of the cement. The cement shall show no gelation, stratification, or separation that cannot be removed by stirring. Refer to Table 2 for approved piping and fitting materials.

⚠ CAUTION

Solvent cements for plastic pipe are flammable liquids and should be kept away from all sources of ignition. Do not use excessive amounts of solvent cement when making joints. Good ventilation should be maintained to reduce fire hazard and to minimize breathing of solvent vapors. Avoid contact of cement with skin and eyes.

⚠ IMPORTANT

A95UH2V/95G2UHV exhaust and intake connections are made of PVC. Use PVC primer and solvent cement when using PVC vent pipe. When using ABS vent pipe, use transitional solvent cement to make connections to the PVC fitting in the unit.

PIPING AND FITTINGS SPECIFICATIONS

Schedule 40 PVC (Pipe)	D1785
Schedule 40 PVC (Cellular Core Pipe)	F891
Schedule 40 PVC (Fittings)	D2466
Schedule 40 CPVC (Pipe)	F441
Schedule 40 CPVC (Fittings)	F438
SDR-21 PVC or SDR-26 PVC (Pipe)	D2241
SDR-21 CPVC or SDR-26 CPVC (Pipe)	F442
Schedule 40 ABS Cellular Core DWV (Pipe)	F628
Schedule 40 ABS (Pipe)	D1527
Schedule 40 ABS (Fittings)	D2466
ABS-DWV (Drain Waste & Vent) (Pipe & Fittings)	D2661
PVC-DWV (Drain Waste & Vent) (Pipe & Fittings)	D2665
PRIMER & SOLVENT CEMENT	ASTM SPECIFICATION
PVC & CPVC Primer	F656
PVC Solvent Cement	D2564
CPVC Solvent Cement	F493
ABS Solvent Cement	D2235
PVC/CPVC/ABS All Purpose Cement For Fittings & Pipe of the same material	D2564, D2235, F493
ABS to PVC or CPVC Transition Solvent Cement	D3138
CANADA PIPE & FITTING & SOLVENT CEMENT	MARKING
PVC & CPVC Pipe and Fittings	ULCS636
PVC & CPVC Solvent Cement	
ABS to PVC or CPVC Transition Cement	

Table 2

Use PVC primer and solvent cement or ABS solvent cement meeting ASTM specifications, refer to Table 2. As an alternate, use all purpose cement, to bond ABS, PVC, or CPVC pipe when using fittings and pipe made of the same materials. Use transition solvent cement when bonding ABS to either PVC or CPVC.

Low temperature solvent cement is recommended during cooler weather. Metal or plastic strapping may be used for vent pipe hangers. Uniformly apply a liberal coat of PVC primer for PVC or use a clean dry cloth for ABS to clean inside socket surface of fitting and male end of pipe to depth of fitting socket.

Canadian Applications Only

Pipe, fittings, primer and solvent cement used to vent (exhaust) this appliance must be certified to ULC S636 and supplied by a single manufacturer as part of an approved vent (exhaust) system. When bonding the vent system to the furnace, use ULC S636 approved One-Step Transition Cement to bond the pipe to the flue collar, or to bond the 90° elbow or reducing 90° elbow to the flue collar. In addition, the first three feet of vent pipe from the furnace flue collar must be accessible for inspection.

Outdoor Termination Kits Usage

A96DF2V	VENT PIPE DIA. (in.)	STANDARD			CONCENTRIC		
		Outdoor Exhaust Accelerator (Dia. X Length)	Outdoor Exhaust Accelerator (Dia. X Length)	Flush-Mount Kit	1-1/2" Concentric Kit	2" Concentric Kit	3" Concentric Kit
		1-1/2" X 12"	2" X 12"	51W11**	71M80 or †44W92 ††	69M29 or †44W92 ††	60L46 or 44W93 †
045	2	YES	--	YES	YES	--	--
	2-1/2	YES	--	YES	YES	--	--
	3	YES	--	YES	YES	--	--
070	2	YES	--	YES	YES	--	--
	2-1/2	YES	--	YES	YES	--	--
	3	YES	--	YES	YES	--	--
090	2	--	YES	YES	--	YES	YES
	2-1/2	--	YES	YES	--	YES	YES
	3	--	YES	YES	--	YES	YES
110	2	--	YES	YES	--	YES	YES
	2-1/2	--	YES	YES	--	YES	YES
	3	--	YES	YES	--	YES	YES

*Requires field-provided and installed 1-1/2" exhaust accelerator.

** Kit 51W11 is provided with a 1-1/2" accelerator which must be used for all 45,000 and 70,000 furnace installations.

† Termination kits 44W92, 44W93, 30G28, and 81J20 approved for use in Canadian installations to meet CSA-B149 and ULC S636 standards.

†† The 44W92 Concentric kit is provided with a 1-1/2" accelerator which must be installed on the exhaust outlet when this kit is used with the 45,000 and 70,000 furnaces.

Joint Cementing Procedure

All cementing of joints should be done according to the specifications outlined in ASTM D 2855.



DANGER OF EXPLOSION!

Fumes from PVC glue may ignite during system check. Allow fumes to dissipate for at least 5 minutes before placing unit into operation.

1. Measure and cut vent pipe to desired length.
2. Debur and chamfer end of pipe, removing any ridges or rough edges. If end is not chamfered, edge of pipe may remove cement from fitting socket and result in a leaking joint.
3. Clean and dry surfaces to be joined.
4. Test fit joint and mark depth of fitting on outside of pipe.
5. Uniformly apply a liberal coat of PVC primer for PVC or use a clean dry cloth for ABS to clean inside socket surface of fitting and male end of pipe to depth of fitting socket.

NOTE: Time is critical at this stage. Do not allow primer to dry before applying cement.

6. Promptly apply solvent cement to end of pipe and inside socket surface of fitting. Cement should be applied lightly but uniformly to inside of socket. Take care to keep excess cement out of socket. Apply second coat to end of pipe.
7. Immediately after applying last coat of cement to pipe, and while both inside socket surface and end of pipe are wet with cement, forcefully insert end of pipe into socket until it bottoms out. Turn PVC pipe 1/4 turn during assembly (but not after pipe is fully inserted) to distribute cement evenly. Do not turn ABS or cellular core pipe.

NOTE: Assembly should be completed within 20 seconds after last application of cement. Hammer blows should not be used when inserting pipe.

8. After assembly, wipe excess cement from pipe at end of fitting socket. A properly made joint will show a bead around its entire perimeter. Any gaps may indicate an improper defective assembly due to insufficient solvent.
9. Handle joints carefully until completely set.

Venting Practices

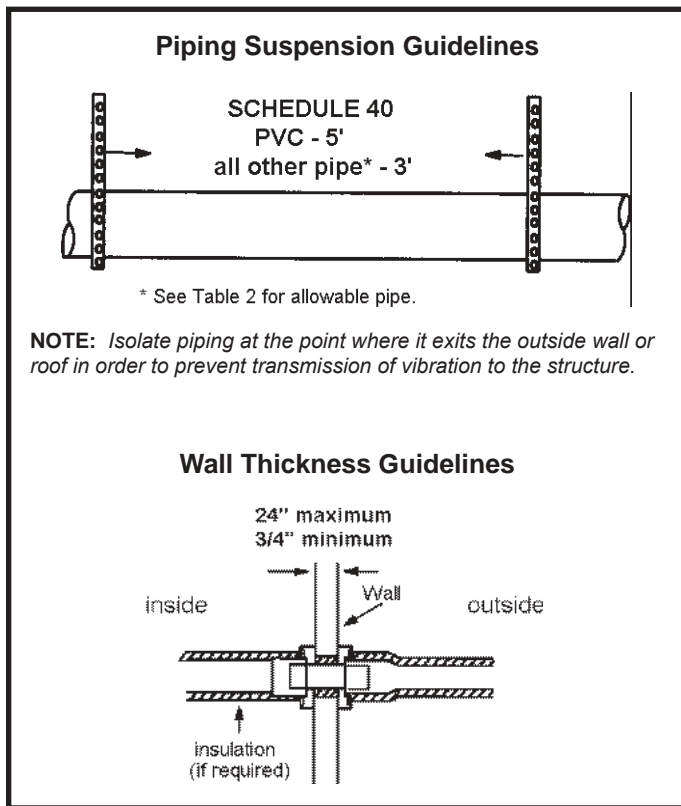


Figure 20


Exhaust Piping

1. In areas where piping penetrates joist or interior walls, hole must be large enough to allow clearance on all sides of pipe through center of hole using a hanger.
2. When furnace is installed in a residence where unit is shut down for an extended period of time, such as a vacation home, make provisions for draining condensate collection from trap and lines.

Removal of the Furnace from Common Vent

In the event that an existing furnace is removed from a venting system commonly run with separate gas appliances, the venting system is likely to be too large to properly vent the remaining attached appliances.

Conduct the following test while each appliance is operating and the other appliances (which are not operating) remain connected to the common venting system. If the venting system has been installed improperly, you must correct the system as indicated in the general venting requirements section.


WARNING

CARBON MONOXIDE POISONING HAZARD

Failure to follow the steps outlined below for each appliance connected to the venting system being placed into operation could result in carbon monoxide poisoning or death.

The following steps shall be followed for each appliance connected to the venting system being placed into operation, while all other appliances connected to the venting system are not in operation:

1. Seal any unused openings in the common venting system.
2. Inspect the venting system for proper size and horizontal pitch. Determine that there is no blockage, restriction, leakage, corrosion, or other deficiencies which could cause an unsafe condition.

3. Close all building doors and windows and all doors between the space in which the appliances remaining connected to the common venting system are located and other spaces of the building. Turn on clothes dryers and any appliances not connected to the common venting system. Turn on any exhaust fans, such as range hoods and bathroom exhausts, so they will operate at maximum speed. Do not operate a summer exhaust fan. Close fireplace dampers.
4. Follow the lighting instructions. Turn on the appliance that is being inspected. Adjust the thermostat so that the appliance operates continuously.
5. After the main burner has operated for 5 minutes, test for leaks of flue gases at the draft hood relief opening. Use the flame of a match or candle.
6. After determining that each appliance connected to the common venting system is venting properly, (step 3) return all doors, widows, exhaust fans, fireplace dampers, and any other gas burning appliances to their previous mode of operation.
7. If a venting problem is found during any of the preceding tests, the common venting system must be modified to correct the problem.

Resize the common venting system to the minimum vent pipe size determined by using the appropriate tables in Appendix G. (These are in the current standards of the National Fuel Gas Code ANSI Z223.1.)

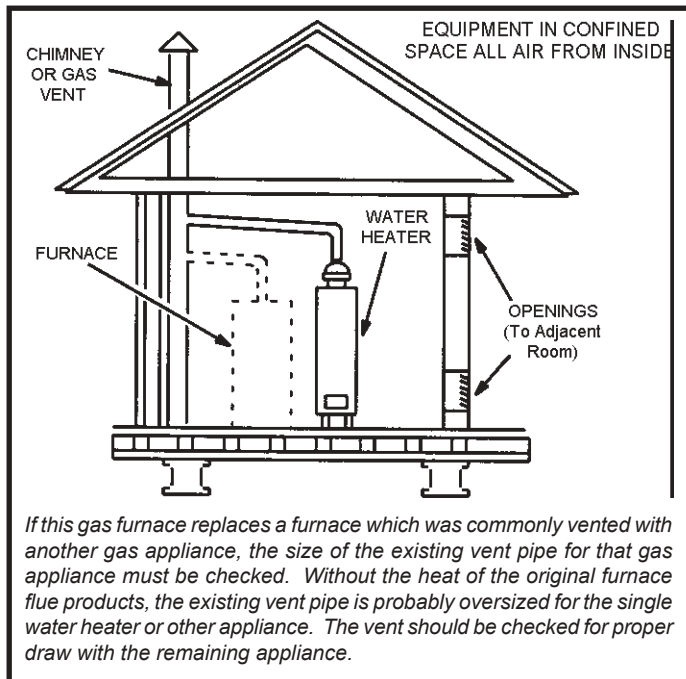


Figure 21

Exhaust Piping

Route piping to outside of structure. Continue with installation following instructions given in piping termination section.



Do Not discharge exhaust into an existing stack or stack that also serves another gas appliance. If vertical discharge through an existing unused stack is required, insert PVC pipe inside the stack until the end is even with the top or outlet end of the metal stack.



The exhaust vent pipe operates under positive pressure and must be completely sealed to prevent leakage of combustion products into the living space.

Vent Piping Guidelines

This gas furnace can be installed as either Non-Direct Vent or a Direct Vent gas central furnace.

NOTE: *In Non-Direct Vent installations, combustion air is taken from indoors and flue gases are discharged outdoors.*

*Intake and exhaust pipe sizing - Size pipe according to Tables 4 and 5. Table 4 lists the **minimum** vent pipe lengths permitted. Table 5 lists the **maximum** pipe lengths permitted.*

Regardless of the diameter of pipe used, the standard roof and wall terminations described in section *Exhaust Piping Terminations* should be used. Exhaust vent termination pipe is sized to optimize the velocity of the exhaust gas as it exits the termination. Refer to Table 7.

In some applications which permit the use of several different sizes of vent pipe, a combination vent pipe may be used. Contact Allied Air Technical Service for assistance in sizing vent pipe in these applications.

NOTE: *The exhaust collar on all models is sized to accommodate 2" Schedule 40 vent pipe. When vent pipe which is larger than 2" must be used in an upflow application, a transition must be applied at the exhaust collar in order to properly step to the larger diameter vent pipe. Contact Allied Air Technical Service for more information concerning sizing of vent systems which include multiple pipe sizes.*

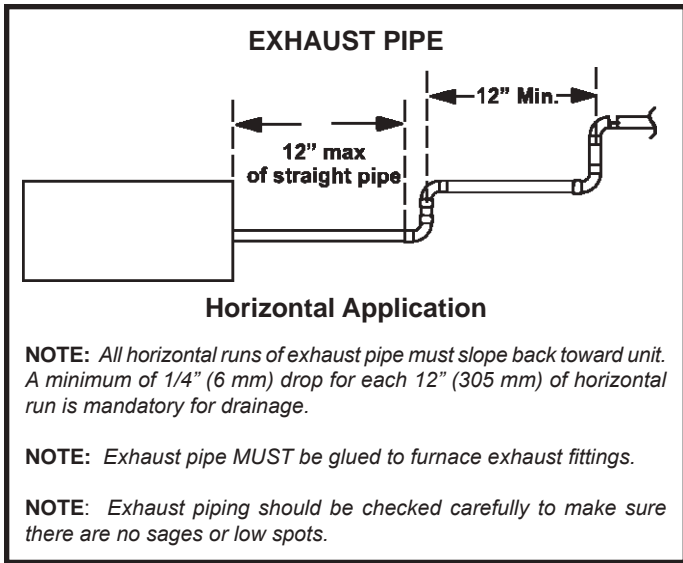


Figure 22

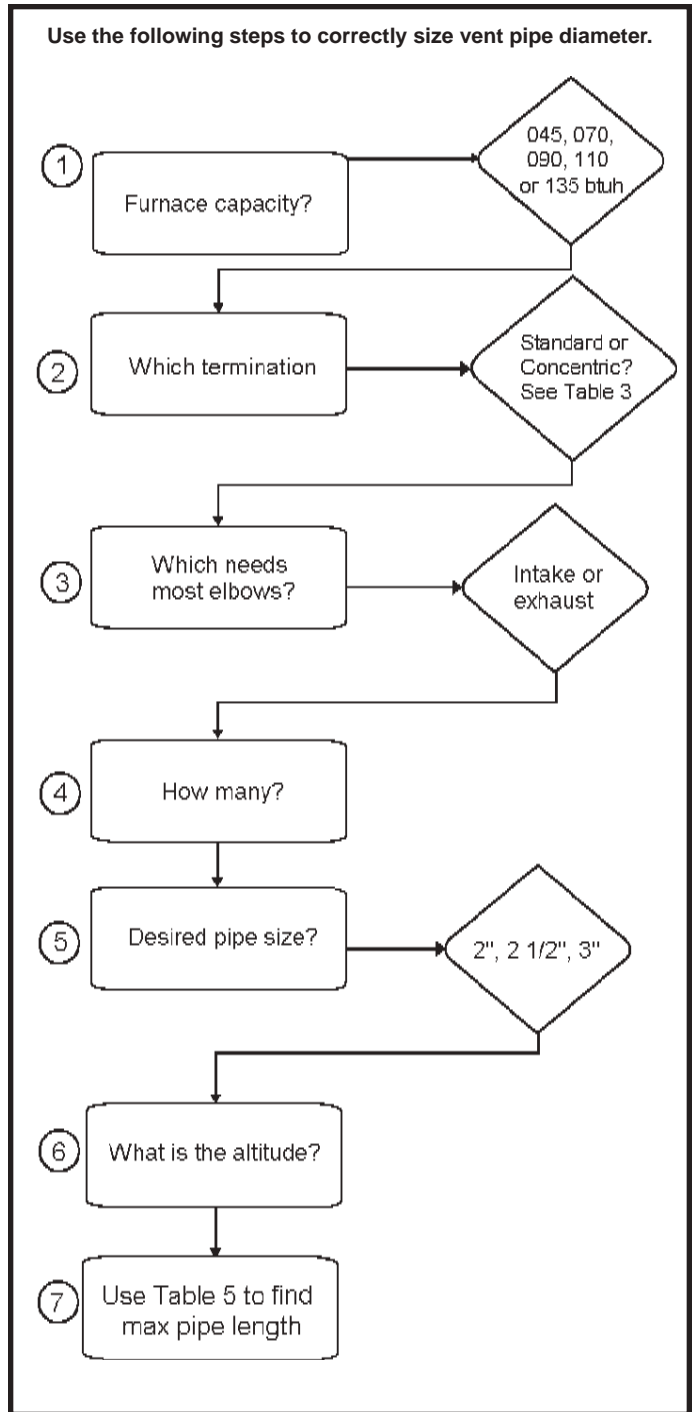
⚠ IMPORTANT

Do not use screens or perforated metal in exhaust or intake terminations. Doing so will cause freeze-ups and may block the terminations.

MINIMUM VENT PIPE LENGTHS	
A96DF2V	MIN. VENT LENGTH*
045, 070, 090, 110	15 ft. or 5 ft plus 2 elbows or 10 ft plus 1 elbow

* Any approved termination may be added to the minimum length listed.

Table 4



Maximum Allowable Intake or Exhaust Vent Length in Feet

Standard Termination at Elevation 0 - 4500 ft															
Number of 90° Elbows Used	2" Pipe					2-1/2" Pipe					3" Pipe				
	Model					Model					Model				
	45	70	90	110	135	45	70	90	110	135	45	70	90	110	135
1	76	61	39	19	n/a	110	110	88	53	n/a	133	132	113	113	109
2	71	56	34	14		105	105	83	48		128	127	108	108	104
3	66	51	29	9		100	100	78	43		123	122	103	103	99
4	61	46	24	n/a		95	95	73	38		118	117	98	98	94
5	56	41	19			90	90	68	33		113	112	93	93	89
6	5	36	14			85	85	63	28		108	107	88	88	84
7	46	31	9			80	80	58	23		103	102	83	83	79
8	41	26	n/a			75	75	53	18		98	97	78	78	74
9	36	21				70	70	48	13		93	92	73	73	69
10	31	16				65	65	43	8		88	87	68	68	64
Standard Termination Elevation 4500 - 10,000 ft															
Number of 90° Elbows Used	2" Pipe					2-1/2" Pipe					3" Pipe				
	Model					Model					Model				
	45	70	90	110	135	45	70	90	110	135	45	70	90	110	135
1	76	61	39	n/a	n/a	110	110	88	53	n/a	133	132	113	113	109
2	71	56	34			105	105	83	48		128	127	108	108	104
3	66	51	29			100	100	78	43		123	122	103	103	99
4	61	46	24			95	95	73	38		118	117	98	98	94
5	56	41	19			90	90	68	33		113	112	93	93	89
6	5	36	14			85	85	63	28		108	107	88	88	84
7	46	31	9			80	80	58	23		103	102	83	83	79
8	41	26	n/a			75	75	53	18		98	97	78	78	74
9	36	21				70	70	48	13		93	92	73	73	69
10	31	16				65	65	43	8		88	87	68	68	64

Table 5A

**Size intake and exhaust pipe length separately. Values in table are for intake OR Exhaust, not combined total. Both Intake and Exhaust must be same pipe size.*

Maximum Allowable Intake or Exhaust Vent Length in Feet

Concentric Termination at Elevation 0 - 4500 ft															
Number of 90° Elbows Used	2" Pipe					2-1/2" Pipe					3" Pipe				
	Model					Model					Model				
	45	70	90	110	135	45	70	90	110	135	45	70	90	110	135
1	68	53	37	17	n/a	100	100	84	49	n/a	116	116	109	109	100
2	63	48	32	12		95	95	79	44		111	111	104	104	95
3	58	43	27	7		90	90	74	39		106	106	99	99	90
4	53	38	22	n/a		85	85	69	34		101	101	94	94	85
5	48	33	17			80	80	64	29		96	96	89	89	80
6	43	28	12			75	75	59	24		91	91	84	84	75
7	38	23	7			70	70	54	19		86	86	79	79	70
8	33	18	n/a	65		65	49	14	81		81	74	74	65	
9	28	13		60		60	44	9	76		76	69	69	60	
10	23	8		55		55	39	n/a	71		71	64	64	55	
Concentric Termination Elevation 4501 - 10,000 ft															
Number of 90° Elbows Used	2" Pipe					2-1/2" Pipe					3" Pipe				
	Model					Model					Model				
	45	70	90	110	135	45	70	90	110	135	45	70	90	110	135
1	68	53	37	n/a	n/a	100	100	84	49	n/a	116	116	109	109	100
2	63	48	32			95	95	79	44		111	111	104	104	95
3	58	43	27			90	90	74	39		106	106	99	99	90
4	53	38	22			85	85	69	34		101	101	94	94	85
5	48	33	17			80	80	64	29		96	96	89	89	80
6	43	28	12			75	75	59	24		91	91	84	84	75
7	38	23	7			70	70	54	19		86	86	79	79	70
8	33	18	n/a			65	65	49	14		81	81	74	74	65
9	28	13				60	60	44	9		76	76	69	69	60
10	23	8				55	55	39	n/a		71	71	64	64	55

**Size intake and exhaust pipe length separately. Values in table are for intake OR Exhaust, not combined total. Both Intake and Exhaust must be same pipe size.*

Table 5B

Maximum Allowable Exhaust Vent Lengths with Furnace Installed in a Closet or Basement Using Ventilated Attic or Crawl Space for Intake Air in Feet

Standard Termination at Elevation 0 - 4500 ft															
Number of 90° Elbows Used	2" Pipe					2-1/2" Pipe					3" Pipe				
	Model					Model					Model				
	45	70	90	110	135	45	70	90	110	135	45	70	90	110	135
1	66	51	29	9	n/a	95	95	73	38	n/a	113	112	93	93	89
2	61	46	24	4	n/a	90	90	68	33	n/a	108	107	88	88	84
3	56	41	19	n/a		85	85	63	28		103	102	83	83	79
4	51	36	14	n/a		80	80	58	23		98	97	78	78	74
5	46	31	9			75	75	53	18		93	92	73	73	69
6	41	26	4			70	70	48	13		88	87	68	68	64
7	36	21	n/a			65	65	43	8		83	82	63	63	59
8	31	16	n/a			60	60	38	3		78	77	58	58	54
9	26	11				55	55	33	n/a		73	72	53	53	49
10	21	6	n/a			50	50	28	n/a		68	67	48	48	44
Standard Termination at Elevation 4500 - 10,000 ft															
Number of 90° Elbows Used	2" Pipe					2-1/2" Pipe					3" Pipe				
	Model					Model					Model				
	45	70	90	110	135	45	70	90	110	135	45	70	90	110	135
1	66	51	29	n/a	n/a	95	95	73	38	n/a	113	112	93	93	89
2	61	46	24	n/a	n/a	90	90	68	33	n/a	108	107	88	88	84
3	56	41	19			85	85	63	28		103	102	83	83	79
4	51	36	14			80	80	58	23		98	97	78	78	74
5	46	31	9			75	75	53	18		93	92	73	73	69
6	41	26	4			70	70	48	13		88	87	68	68	64
7	36	21	n/a			65	65	43	8		83	82	63	63	59
8	31	16	n/a			60	60	38	3		78	77	58	58	54
9	26	11				55	55	33	n/a		73	72	53	53	49
10	21	6	n/a			50	50	28	n/a		68	67	48	48	44

* Size intake and exhaust pipe length separately. Values in table are for intake OR Exhaust, not combined total. Both Intake and Exhaust must be same pipe size.

* Additional vent pipe and elbows used to terminate the vent pipe outside the structure must be included in the total vent length calculation.

Table 5C

TYPICAL EXHAUST PIPE CONNECTIONS IN UPFLOW DIRECT OR NON-DIRECT VENT APPLICATIONS

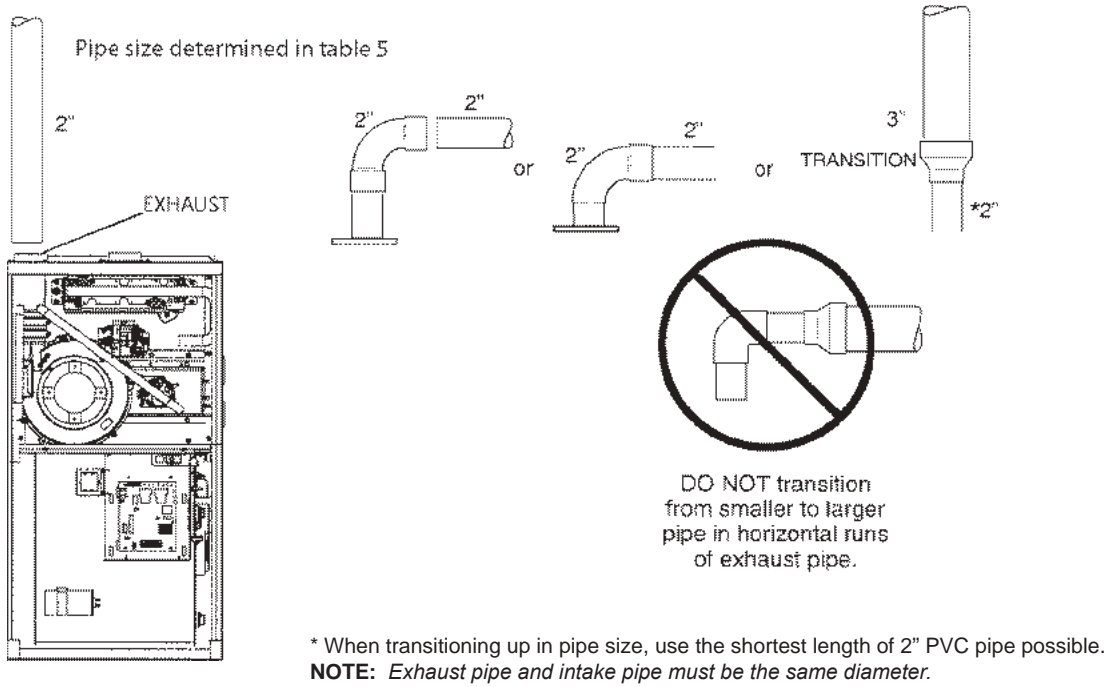
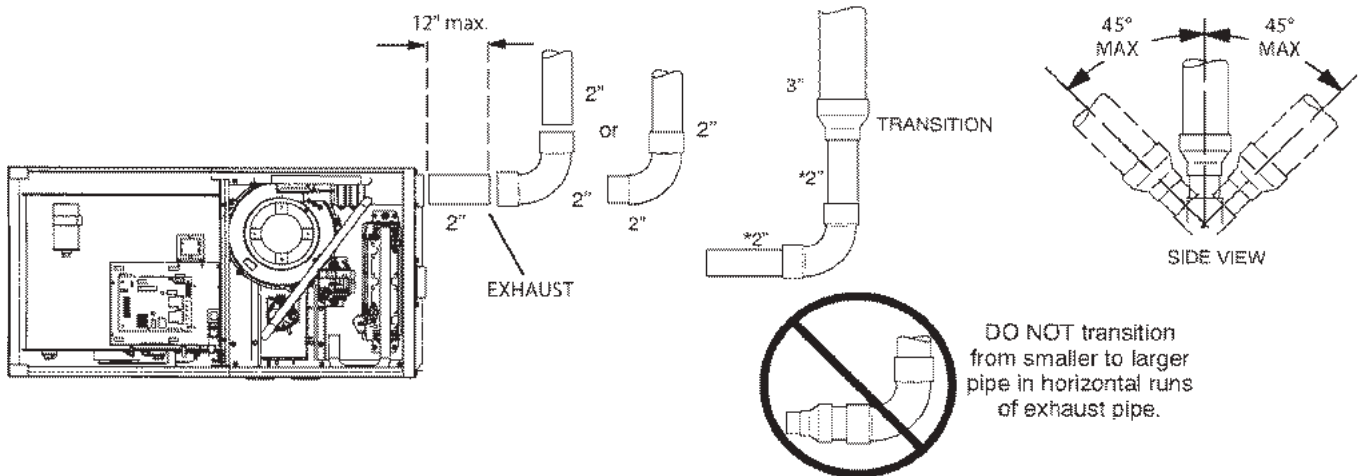


Figure 23

TYPICAL EXHAUST PIPE CONNECTIONS IN HORIZONTAL DIRECT OR NON-DIRECT VENT APPLICATIONS (RIGHT HAND DISCHARGE SHOWN)



* When transitioning up in pipe size, use the shortest length of 2" PVC pipe possible.
NOTE: Exhaust pipe and intake pipe must be the same diameter.

Figure 24

TYPICAL AIR INTAKE PIPE CONNECTIONS IN UPFLOW DIRECT VENT APPLICATIONS

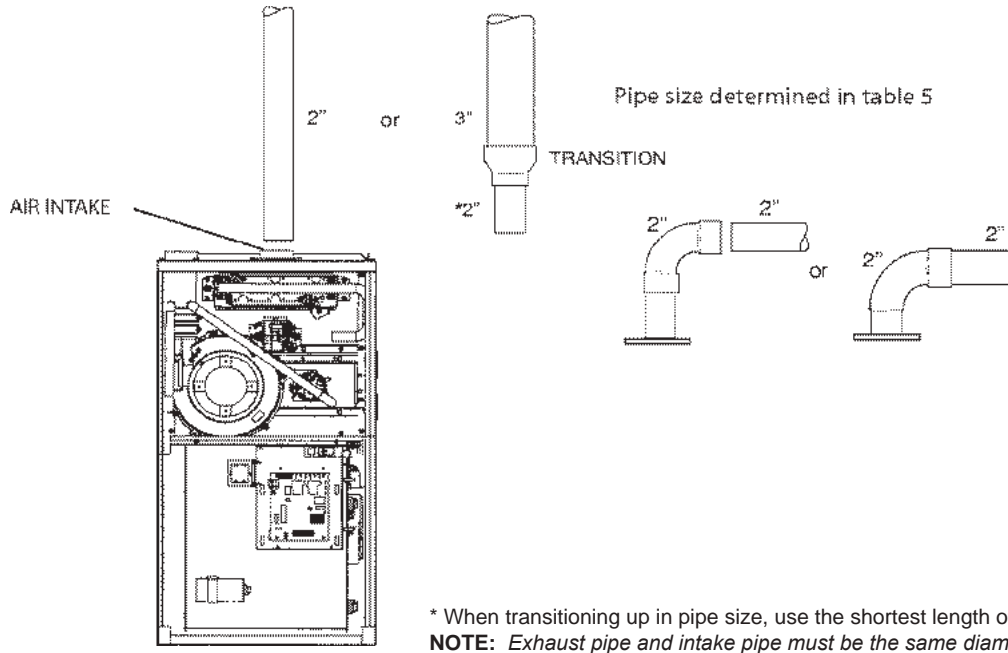


Figure 25

TYPICAL AIR INTAKE PIPE CONNECTIONS IN HORIZONTAL DIRECT VENT APPLICATIONS (RIGHT HAND DISCHARGE SHOWN)

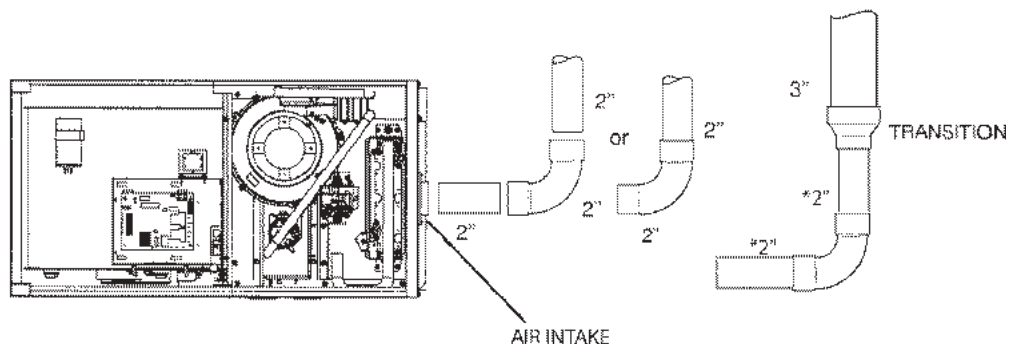


Figure 26

Intake Piping (Figures 25 through 28)

This gas furnace may be installed in either **direct vent** or **non-direct vent** applications. In non-direct vent

applications, when intake air will be drawn into the furnace from the surrounding space, the indoor air quality must be considered and guidelines listed in Combustion, Dilution and Ventilation Air section must be followed

Follow the next two steps when installing the unit in **Direct Vent applications**, where combustion air is taken from outdoors and flue gases are discharged outdoors. **The provided air intake screen must not be used in direct vent applications (outdoors).**

1. Use transition solvent cement or a sheet metal screw to secure the intake pipe to the inlet air connector.
2. Route piping to outside of structure. Continue with installation following instructions given in general guide lines for piping terminations and in intake and exhaust piping terminations for direct vent sections. Refer to Table 5 for pipe sizes.

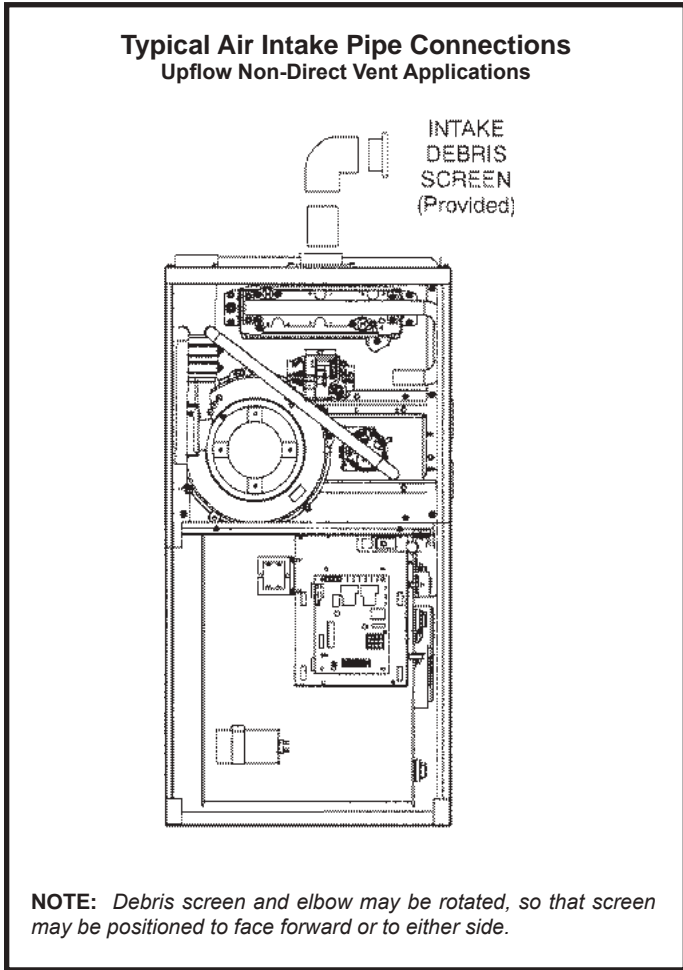


Figure 27

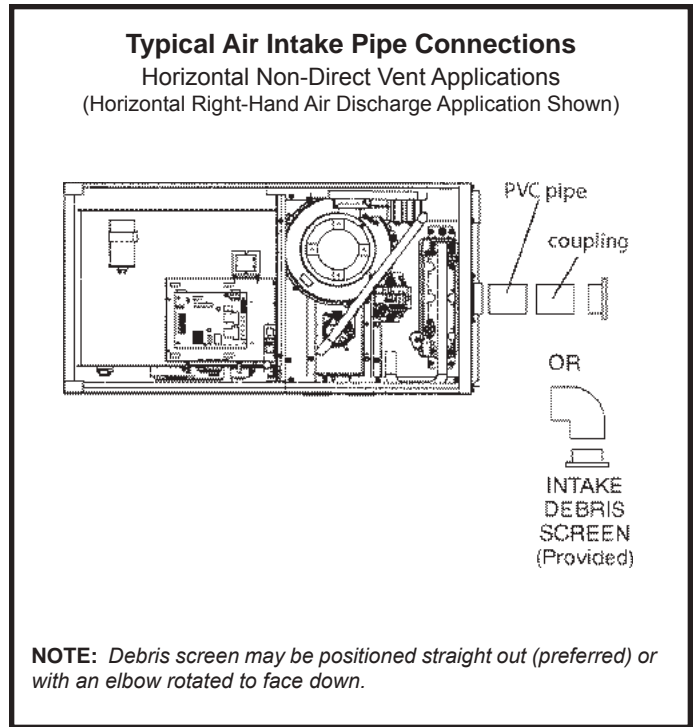


Figure 28

Follow the next two steps when installing the unit in **Non-Direct Vent applications** where combustion air is taken from indoors and flue gases are discharged outdoors.

1. Use field-provided materials and the factory-provided air intake screen to route the intake piping as shown in Figures 27 or 28. Maintain a minimum clearance of 3" (76 mm) around the air intake opening. The air intake opening (with the protective screen) should always be directed forward or to either side in the upflow position, and either straight out or downward in the horizontal position.
The air intake piping must not terminate too close to the flooring or a platform. Ensure that the intake air inlet will not be obstructed by loose insulation or other items that may clog the debris screen.
2. If intake air is drawn from a ventilated attic (Figure 28) or ventilated crawlspace (Figure 30) the exhaust vent length must not exceed those listed in Table 5C. If 3" diameter pipe is used, reduce to 2" diameter pipe at the termination point to accommodate the debris screen.
3. Use a sheet metal screw to secure the intake pipe to the connector, if desired.

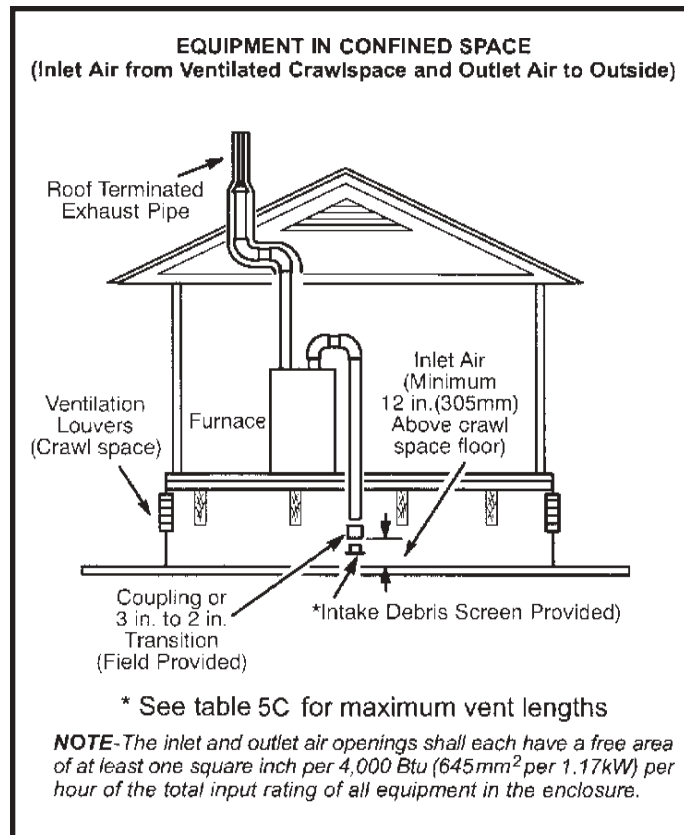


Figure 30

CAUTION

If this unit is being installed in an application with combustion air coming in from a space serviced by an exhaust fan, power exhaust fan, or other device which may create a negative pressure in the space, take care when sizing the inlet air opening. The inlet air opening must be sized to accommodate the maximum volume of exhaust air as well as the maximum volume of combustion air required for all gas appliances serviced by this space.

General Guidelines for Vent Terminations

In Non-Direct Vent applications, combustion air is taken from indoors and the flue gases are discharged to the outdoors. This furnace is then classified as a non-direct vent, Category IV gas furnace.

In Direct Vent applications, combustion air is taken from outdoors and the flue gases are discharged to the outdoors. The furnace is then classified as a direct vent, Category IV gas furnace.

In both Non-Direct Vent and Direct Vent applications, the vent termination is limited by local building codes. In the absence of local codes, refer to the current National Fuel Gas Code ANSI Z223-1/NFPA 54 in U.S.A., and current CSA-B149 Natural Gas and Propane Installation Codes in Canada for details.

In Direct Vent applications, the vent termination is limited by local building codes. In the absence of local codes, refer to the current National Fuel Gas Code ANSI Z223-1/NFPA 54 in U.S.A., and current CSA-B149 Natural Gas and Propane Installation Codes in Canada for details.

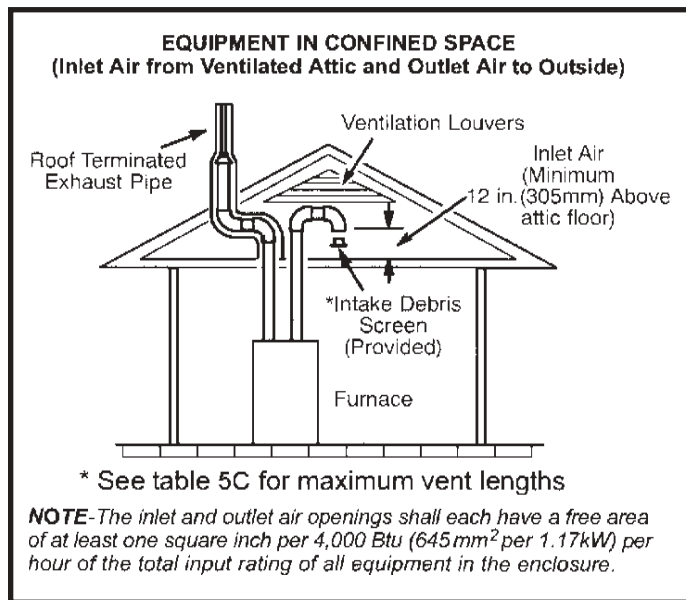


Figure 29

Position termination according to location given in Figures 31 and 32. In addition, position termination so it is free from any obstructions and 12" above the average snow accumulation.

At vent termination, care must be taken to maintain protective coatings over building materials (prolonged exposure to exhaust condensate can destroy protective coatings). It is recommended that the exhaust outlet not be located within 6 feet (1.8 m) of a condensing unit because the condensate can damage the painted coating.

NOTE: See Table 6 for maximum allowed exhaust pipe length without insulation in unconditioned space during winter design temperature below 32° F (0° C). If required, exhaust pipe should be insulated with 1/2" (13 mm), Armaflex or equivalent when run through an unconditional area. In extremely cold climate areas with temperature below 20° F (6.7° C) it is recommended that, 3/4" (19 mm) Armaflex or equivalent be used. Insulation on outside runs of exhaust pipe should be painted or wrapped to protect insulation from deterioration in accordance with the insulation manufacturers recommendation. Exhaust pipe insulation may not be necessary in some specific applications.

NOTE: During extremely cold temperatures, below approximately 20° F (6.7° C), units with long runs of vent pipe through unconditioned space, even when insulated, may form ice in the exhaust termination that prevents the unit from operating properly. Longer run times of at least 5 minutes will alleviate most icing problems. Also, a heating cable may be installed on exhaust piping and termination to prevent freeze-ups. Heating cable installation kits are available see unit specification sheets for part numbers.

! IMPORTANT

Do not use screens or perforated metal in exhaust terminations. Doing so will cause freeze-ups and may block the terminations.

! IMPORTANT

For Canadian Installations Only:

In accordance to CSA International B149 installation codes, the minimum allowed distance between the combustion air intake inlet and the exhaust outlet of other appliances shall not be less than 12 inches (305 mm).

Maximum Allowable Exhaust Vent Pipe Length Without Insulation
In Unconditioned Space For Winter Design Temperatures

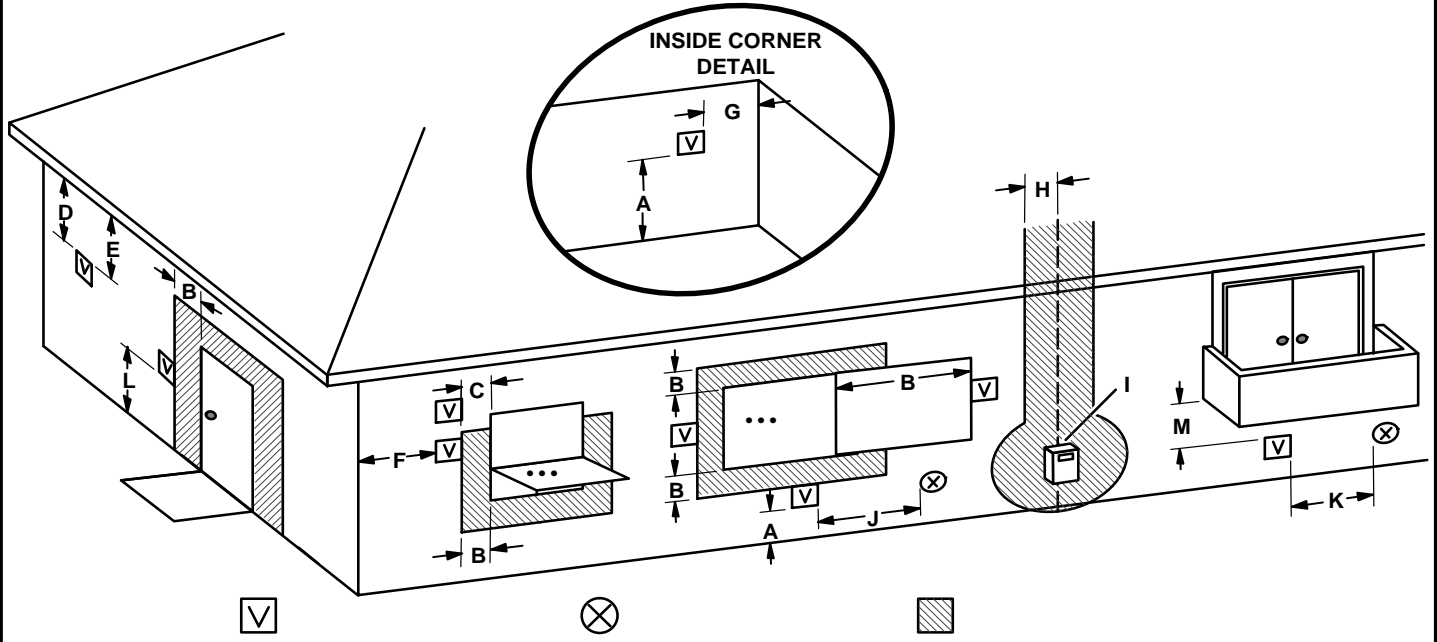
Winter Design Temperatures ¹ °F (°C)	Vent Pipe Diameter	Unit Input Size				
		045	070	090	110	135
32 to 21 (0 to -6)	2 in.	20	30	40	24	n/a
	2-1/2 in.	15	22	30	40	n/a
	3 in.	12	18	25	32	32
20 to 1 (-7 to -17)	2 in.	12	20	25	24	n/a
	2-1/2 in.	10	14	20	24	n/a
	3 in.	6	10	15	20	20
0 to -20 (-18 to -29)	2 in.	8	12	18	22	n/a
	2-1/2 in.	6	8	12	16	n/a
	3 in.	2	6	10	12	12

¹ Refer to 99% Minimum Design Temperature table provided in the current edition of the ASHRAE Fundamentals Handbook.

NOTE- Maximum uninsulated vent lengths listed cannot exceed the maximum allowable intake or exhaust vent length listed in table 5 or 6.

Table 6

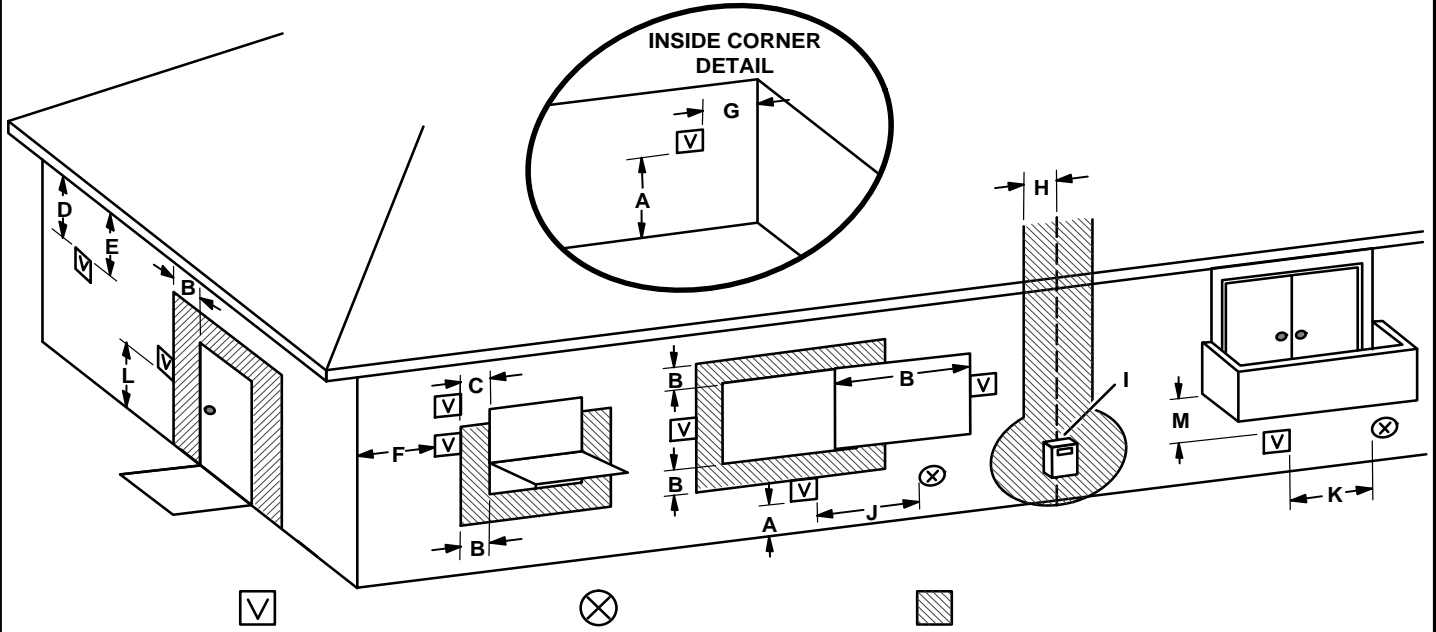
VENT TERMINATION CLEARANCES FOR NON-DIRECT VENT INSTALLATIONS IN THE US AND CANADA



	US Installations ¹	Canadian Installations ²
☑	☑	☑
⊗	⊗	⊗
◻	◻	◻

Figure 31

VENT TERMINATION CLEARANCES FOR DIRECT VENT INSTALLATIONS IN THE US AND CANADA



US Installations ¹	Canadian Installations ²	
• -€ Š ('Š - ' €' €" €-"	• -€, f _n ...††† • -‰ f _n ...††† Š Š (-CE €€ŽŽŽ ' -‰	• -€, f _n ...††† • -‰ f _n ...††† Š Š (-CE €€ŽŽŽ ' -‰
•• -€ ' OE - OE ' †" -	• -€, f _n ...††† - -€ —'..... •Ž, f _n "OE" - -€, f _n ™††† - Š -€)..... •Ž, f _n "OE" - -†..... •Ž, f _n "OE" • -€, f _n ...††† - Š -€) †..... •Ž, f _n "OE"	• -€, f _n ...††† - -€ —'..... •Ž, f _n "OE" • -€, f _n ...††† - -€)..... •Ž, f _n "OE" - —..... •Ž, f _n "OE" • -€, f _n ...††† - -€)..... •Ž, f _n "OE"
• -€ ' † - " € OE - OE	i • Ø	i • Ø
• ' € € -€ ' Š - ' — ' €' Š ' † - CE ' - , œ - ' -€ - - ' f _n ...††† - †' € - - - ' † -	i "Ž ' (' - — ' ;	i "Ž ' (' - — ' ;
• -€ ' Ž - Š - ' — ' € - Ž ' € -	i "Ž ' (' - — ' ;	i "Ž ' (' - — ' ;
•• -€ ' - € -	i	i
• -€ ' €, -€ - - š ' - Š † ' Ž ' Ž ' † " „ - ' f _n ...††† CE ' - , (' † - ' f _n ...††† Š ' † ' Ž ' Ž ' † " „ - ' f _n ...†††	„ - ' f _n ...††† CE ' - , (' † - ' f _n ...††† Š ' † ' Ž ' Ž ' † " „ - ' f _n ...†††	„ - ' f _n ...††† CE ' - , (' † - ' f _n ...††† Š ' † ' Ž ' Ž ' † " „ - ' f _n ...†††
• -€ ' Š € Ž ' Š - Ž ' „ - ' f _n ...†††	i „ - ' f _n ...†††	„ - ' f _n ...†††
•• -€ ' - Ž † € - € Ž " - " Ž - (' € †š Ž ' - - - " Š -€	• -€, f _n ...††† - -€ —'..... •Ž, f _n "OE" • -€, f _n ™††† - Š -€)..... •Ž, f _n "OE" - -†..... •Ž, f _n "OE" • -€, f _n ...††† - Š -€) †..... •Ž, f _n "OE"	• -€, f _n ...††† - -€ —'..... •Ž, f _n "OE" • -€, f _n ...††† - -€)..... •Ž, f _n "OE" - —..... •Ž, f _n "OE" • -€, f _n ...††† - -€)..... •Ž, f _n "OE"
•• -€ ' † € - € Ž š „ - ' f _n ...††† Š - CE ' - ... - ' f _n ...†††, œ - "	„ - ' f _n ...††† Š - CE ' - ... - ' f _n ...†††, œ - "	• -€, f _n ...†††
• -€ Š Š CE " Š Š CE " € ' - Ž € "	i £ - ' f _n ...†††	£ - ' f _n ...†††
• -€ Ž - Š - ' €' €" €-"	i • -€, f _n ...†††	• -€, f _n ...†††

Figure 32

Details of Intake and Exhaust Piping Terminations for Direct Vent Installations

NOTE: In Direct Vent installations, combustion air is taken from outdoors and flue gases are discharged to outdoors.

NOTE: Flue gas may be slightly acidic and may adversely affect some building materials. If any vent termination is used and the flue gasses may impinge on the building material, a corrosion resistant shield (minimum 24 inches square) should be used to protect the wall surface. If the optional tee is used, the protective shield is recommended. The shield should be constructed using wood, plastic, sheet metal or other suitable material. all seams, joints, cracks, etc. in the affected area should be sealed using an appropriate sealant. See Figure 38.

Intake and exhaust pipes may be routed either horizontally through an outside wall or vertically through the roof. In attic or closet installations, vertical termination through the roof is preferred. Figures 33 through 44 show typical terminations.

1. Intake and exhaust terminations are not required to be in the same pressure zone. You may exit the intake on one side of the structure and the exhaust on another side (Figure 34). You may exit the exhaust out the roof and the intake out the side of the structure (Figure 35).
2. Intake and exhaust pipes should be placed as close together as possible at termination end (refer to illustrations). Maximum separation is 3" (76 mm) on roof terminations and 6" (152 mm) on sidewall terminations.
3. On roof terminations, the intake piping should terminate straight down using two 90° elbows (See Figure 33).
4. Exhaust piping must terminate straight out or up as shown. A reducer may be required on the exhaust piping at the point where it exits the structure to improve the velocity of exhaust away from the intake piping. See Table 7.

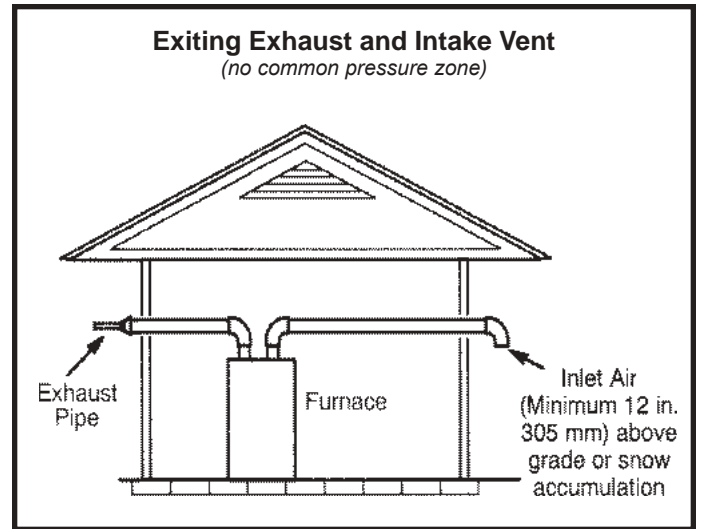


Figure 34

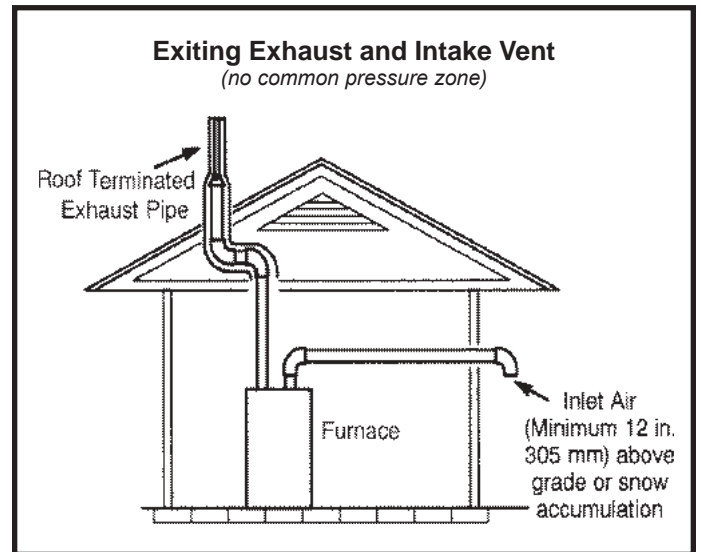


Figure 35

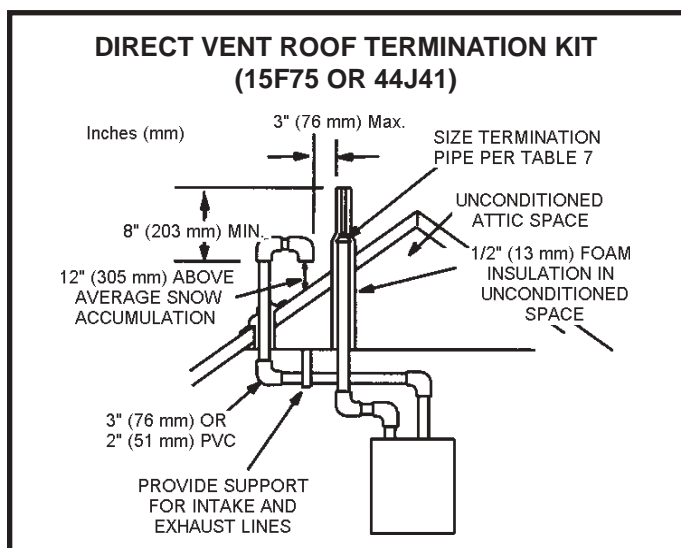


Figure 33

EXHAUST PIPE TERMINATION SIZE REDUCTION		
MODEL	Exhaust Pipe Size	Termination Pipe Size
045 and 070	2" (51 mm), 2-1/2" (64 mm), 3" (76 mm)	1-1/2" (38 mm)
090		2" (51 mm)
110		2" (51 mm)
135		2" (51 mm)
	3" (76 mm)	2" (51 mm)

* Units with the flush mount termination must use the 1-1/2" accelerator supplied with the kit

Table 7

NOTE: Care must be taken to avoid recirculation of exhaust back into intake pipe.

- On field supplied terminations for sidewall exit, exhaust piping may extend a maximum of 12 inches (305 mm) for 2" PVC and 20 inches (508 mm) for 3" (76 mm) PVC beyond the outside wall. Intake piping should be as short as possible. See Figures 37 and 39.
- On field supplied terminations, a minimum distance between the end of the exhaust pipe and the end of the intake pipe without a termination elbow is 8" and a minimum distance of 6" with a termination elbow. See Figure 37.
- If intake and exhaust piping must be run up a side wall to position above snow accumulation or other obstructions, piping must be supported every 24" (610 mm) as shown in Figures 37. When exhaust and intake piping must be run up an with pipe sized per Table 6. The intake piping may be equipped with a 90° elbow turndown. Using turndown will add 5 feet (1.5 m) to the equivalent length of the pipe.
- A multiple furnace installation may use a group of up to four terminations assembled together horizontally, as shown in Figure 43.

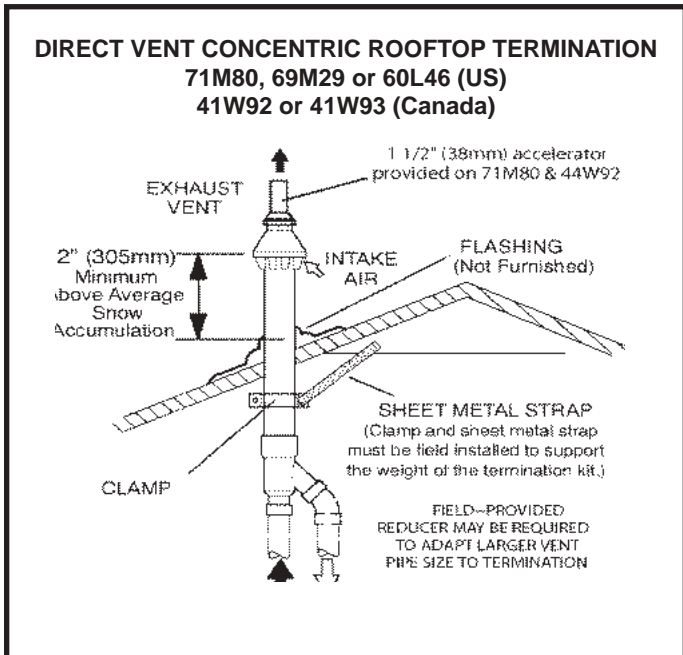


Figure 36

FIELD SUPPLIED WALL TERMINATION

NOTE: FIELD PROVIDED REDUCER MAY BE REQUIRED TO ADAPT LARGER VENT PIPE SIZE TO TERMINATION

1/2" (13mm) ARMAFLEX INSULATION IN UN-CONDITIONED SPACE (IF REQUIRED)
SIZE TERMINATION PER TABLE 7

STRAIGHT APPLICATION

1/2" (13mm) ARMAFLEX INSULATION IN UNCONDITIONED SPACE (IF REQUIRED)

EXTENDED APPLICATION

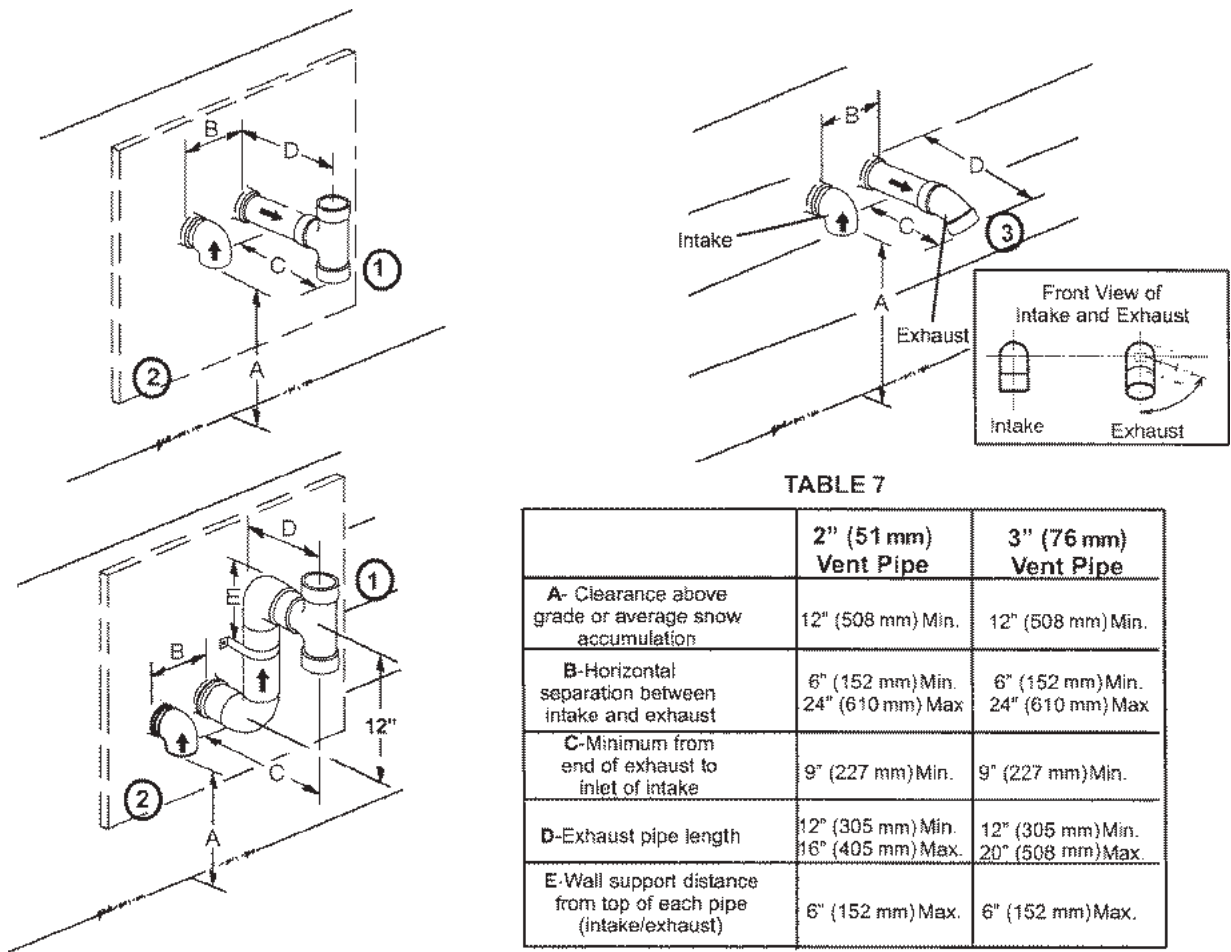
* WALL SUPPORT

See venting table 5 for maximum venting lengths with this arrangement.

* Use wall support every 24" (610 mm). Use two wall supports if extension is greater than 24" (610 mm) but less than 48" (1219 mm).
NOTE: One wall support must be 6" (152 mm) from top of each pipe (intake and exhaust)

	2" (51 mm) Vent Pipe	3" (76 mm) Vent Pipe
A--Minimum clearance above grade or average snow accumulation	12" (508 mm)	12" (508 mm)
B--Maximum horizontal separation between intake and exhaust	6" (152 mm)	6" (152 mm)
C--Minimum from end of exhaust to inlet of intake	8" (203 mm)	8" (203 mm)
D--Maximum exhaust pipe length	12" (305 mm)	20" (508 mm)
E--Maximum wall support distance from top of each pipe (intake/exhaust)	6" (152 mm)	6" (152 mm)

Figure 37



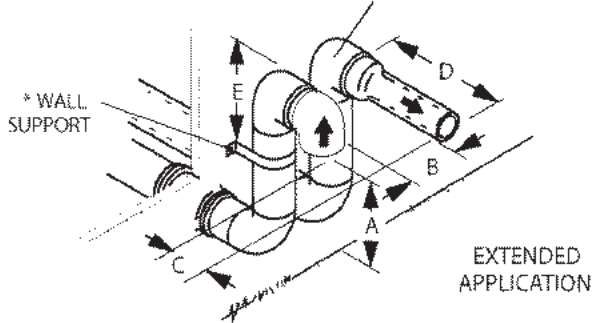
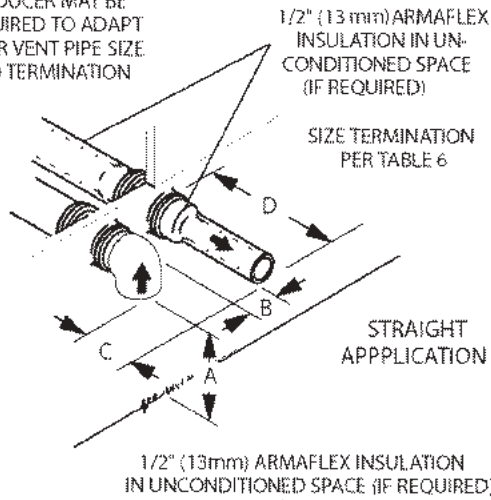
NOTE - See unit installation instructions for proper exhaust pipe termination size reduction.

- ¹ The exhaust termination tee should be connected to the 2" or 3" PVC fue pipe as shown in the illustration. Do not use an accelerator in applications that include an exhaust termination tee. The accelerator is not required.
- ² As required. Flue gas may be acidic and may adversely affect some building materials. If a side wall vent termination is used and flue gases will impinge on the building materials, a corrosion-resistant shield (24 inches square) should be used to protect the wall surface. If optional tee is used, the protective shield is recommended. The shield should be constructed using wood, sheet metal or other suitable material. All seams, joints, cracks, etc. in affected area, should be sealed using an appropriate sealant.
- ³ Exhaust pipe 45° elbow can be rotated to the side away from the combustion air inlet to direct exhaust away from adjacent property. The exhaust must never be directed toward the combustion air inlet.

Figure 38

FIELD SUPPLIED WALL TERMINATION

NOTE - FIELD PROVIDED REDUCER MAY BE REQUIRED TO ADAPT LARGER VENT PIPE SIZE TO TERMINATION



See venting table 5 for maximum venting lengths with this arrangement.

* Use wall support every 24" (610 mm). Use two wall supports if extension is greater than 24" (610 mm) but less than 48" (1219 mm).
NOTE - One wall support must be 6" (152 mm) from top of each pipe (intake and exhaust)

	2" (51mm) Vent Pipe	3" (76mm) Vent Pipe
A - Minimum clearance above grade or average snow accumulation	12" (508 mm)	12" (508 mm)
B - Maximum horizontal separation between intake and exhaust	6" (152 mm)	6" (152 mm)
C - Minimum from end of exhaust to inlet of intake	6" (152 mm)	6" (152 mm)
D - Maximum exhaust pipe length	12" (305 mm)	20" (508 mm)
E - Maximum wall support distance from top of each pipe (intake/exhaust)	6" (152 mm)	6" (152 mm)

Figure 39

FLUSH-MOUNT SIDE WALL TERMINATION 51W11

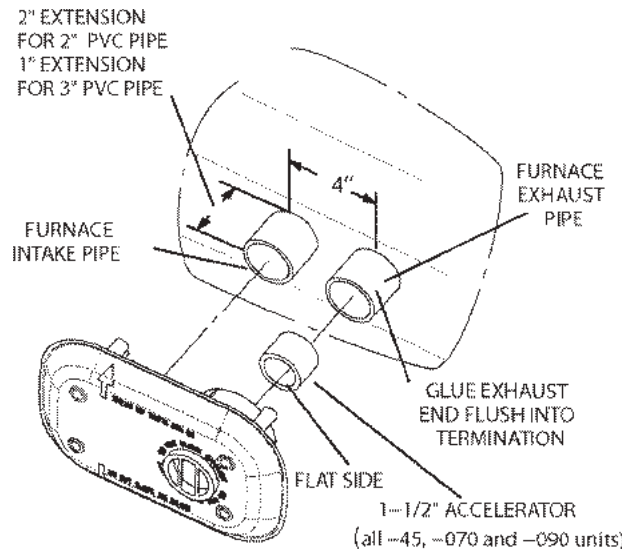


Figure 40

DIRECT VENT CONCENTRIC ROOFTOP TERMINATION

71M80, 69M29 or 60L46 (US)
41W92 or 41W93 (Canada)

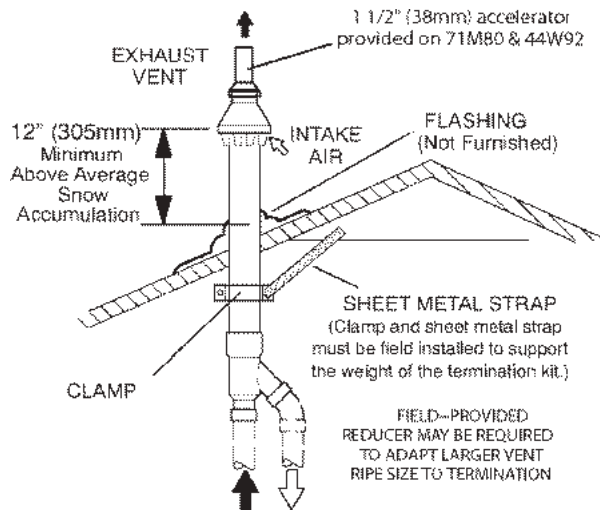


Figure 41

DIRECT VENT CONCENTRIC WALL TERMINATION

71M80, 69M29 OR 60L46 (US)
41W92 or 41W93 (Canada)

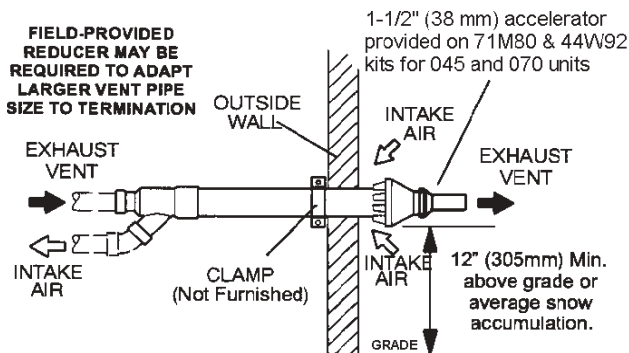


Figure 42

OPTIONAL VENT TERMINATION FOR MULTIPLE UNIT INSTALLATION OF DIRECT VENT WALL TERMINATION

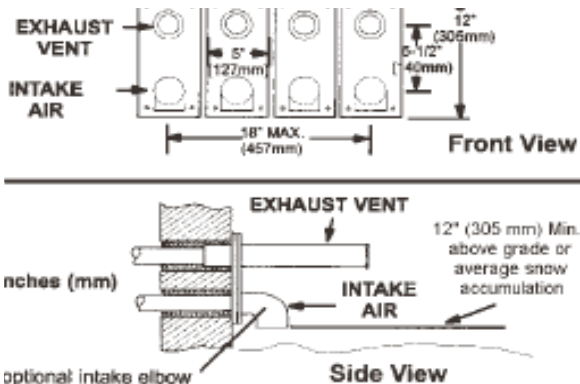
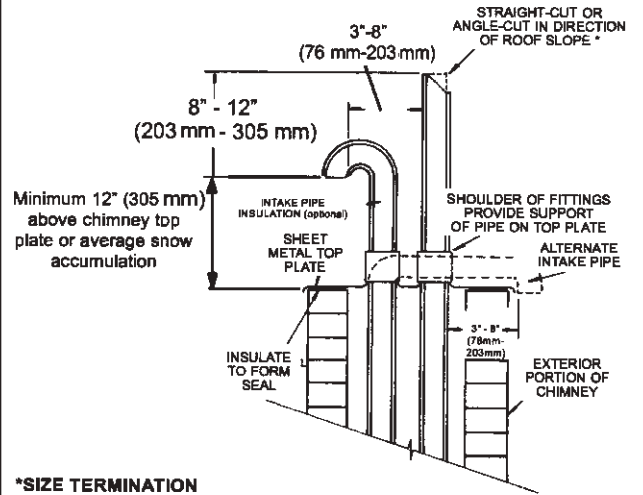


Figure 43

DIRECT VENT APPLICATION USING EXISTING CHIMNEY



NOTE: Do not discharge exhaust gases directly into any chimney or vent stack. If vertical discharge through an existing unused chimney or stack is required, insert piping inside chimney until the pipe open end is above top of chimney and terminates as illustrated. In any exterior portion of chimney, the exhaust vent must be insulated.

Figure 44

Details of Exhaust Piping Terminations for Non-Direct Vent Applications

Exhaust pipes may be routed either horizontally through an outside wall or vertically through the roof. In attic or closet installations, vertical termination through the roof is preferred. Figures 45 through 48 show typical terminations.

1. Exhaust piping must terminate straight out or up as shown. The termination pipe must be sized as listed in Table 7. The specified pipe size ensures proper velocity required to move the exhaust gases away from the building.
2. On field supplied terminations for side wall exit, exhaust piping may extend a maximum of 12 inches (305 mm) for 2" PVC and 20" (508 mm) for 3" (76 mm) PVC beyond the outside wall. See Figure 46.
3. If exhaust piping must be run up a sidewall to position above snow accumulation or other obstructions, piping must be supported every 24" (610 mm) as shown in Figure 47. When exhaust piping must be run up an outside wall, any reduction in exhaust pipe size must be done after the final elbow.

Non-Direct Vent Roof Termination Kit (15F75 or 44J41)

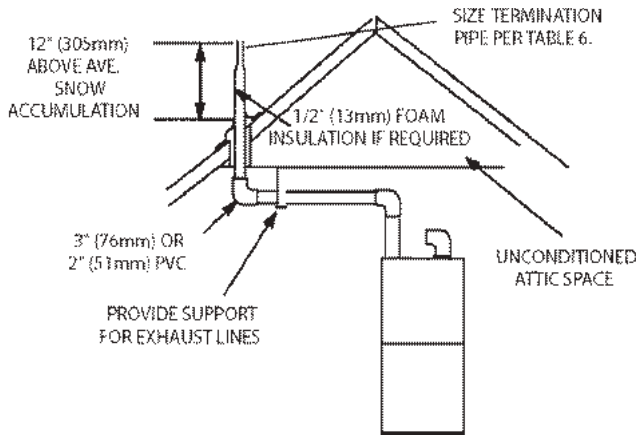
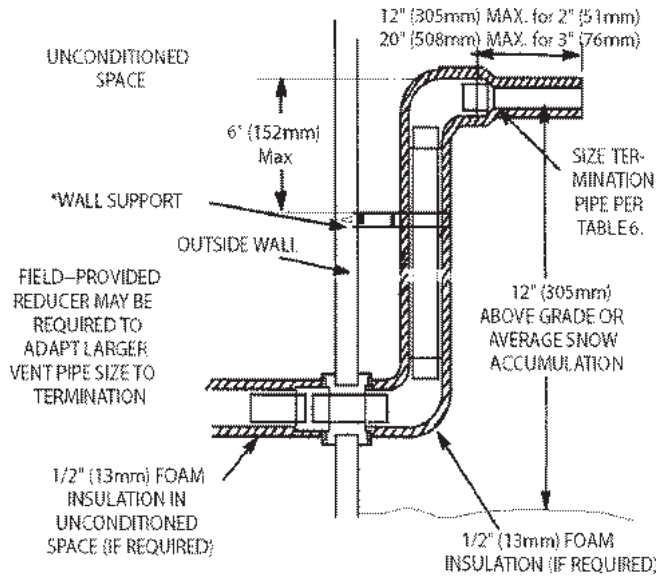


Figure 45

Non-Direct Vent Field Supplied Wall Termination Extended



* Use wall support every 24" (610). Use two supports if extension is greater than 24" but less than 48".

Figure 47

Non-Direct Vent Field Supplied Wall Termination

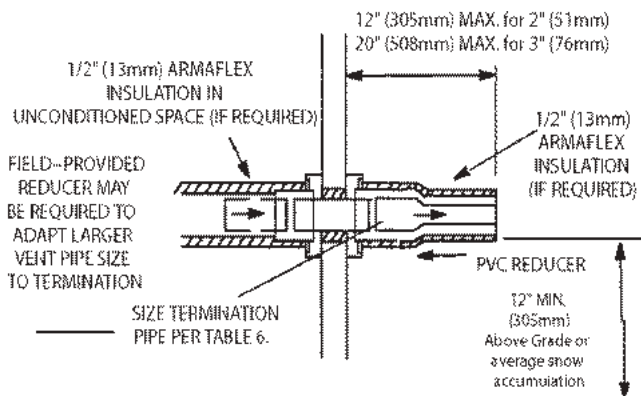
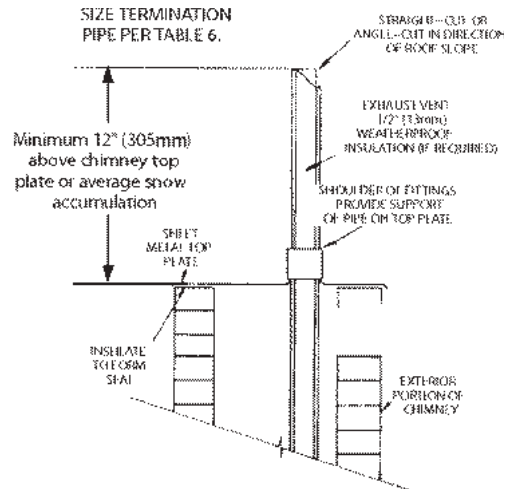


Figure 46

Non-Direct Vent Application Using Existing Chimney



NOTE: Do not discharge exhaust gases directly into any chimney or vent stack. If vertical discharge through an existing unused chimney or stack is required, insert piping inside chimney until the pipe open end is above top of chimney and terminate as illustrated. In any exterior portion of chimney, the exhaust vent must be insulated.

Figure 48

Condensate Piping

This unit is designed for either right or left side exit of condensate piping in upflow applications. In horizontal applications, the condensate trap must extend below the unit. An 8" service clearance is required for the condensate trap. Refer to Figure 49 and 51 for condensate trap locations. Figure 56 shows trap assembly using 1/2" PVC or 3/4" PVC.

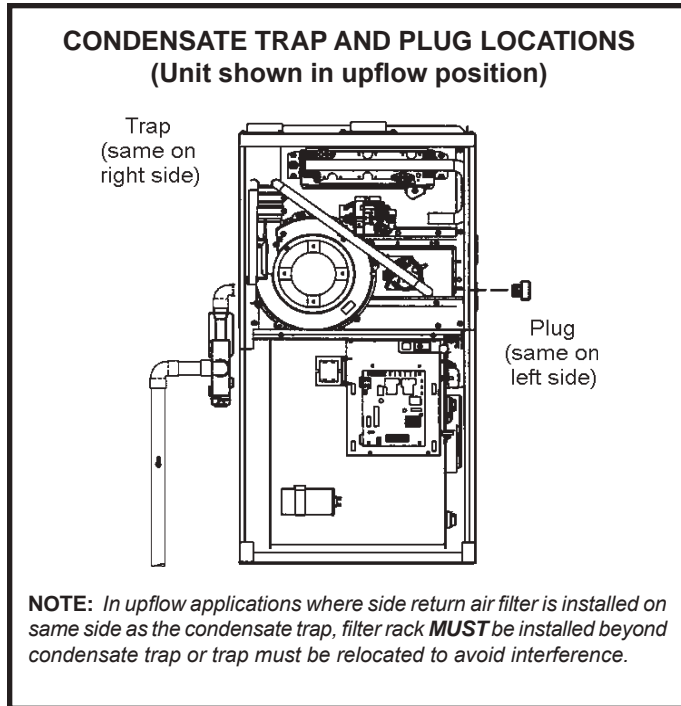


Figure 49

NOTE: If necessary the condensate trap may be installed up to 5' away from the furnace. Use PVC pipe to connect trap to furnace condensate outlet. Piping from furnace must slope down a minimum of 1/4" per ft. toward trap.

1. Determine which side condensate piping will exit the unit, location of trap, field-provided fittings and length of PVC pipe required to reach available drain.
2. Use a large flat head screw driver or a 1/2" drive socket extension and remove plug (Figure 49) from the cold end header box at the appropriate location on the side of the unit. Install provided 3/4 NPT street elbow fitting into cold end header box. Use Teflon tape or appropriate pipe dope.
3. Install the cap over the clean out opening at the base of the trap. Secure with clamp. See Figure 56.
4. Install drain trap using appropriate PVC fittings, glue all joints. Glue the provided drain trap as shown in Figure 56. Route the condensate line to an open drain. *Condensate line must maintain a 1/4" downward slope from the furnace to the drain.*

CAUTION

Do not use copper tubing or existing copper condensate lines for drain line.

5. Figures 51 and 52 show the furnace and evaporator coil using a separate drain. If necessary the condensate line from the furnace and evaporator coil can drain together. See Figure 54 and 55)

Upflow furnace (Figure 50) - In upflow furnace applications the field provided vent must be a minimum 1" to a maximum 2" length above the condensate drain outlet connection. Any length above 2" may result in a flooded heat exchanger if the combined primary drain line were to become restricted.

Horizontal furnace (Figure 51) - In horizontal furnace applications the field provided vent must be minimum 4" to a maximum 5" length above the condensate drain outlet connection. Any length above 5" may result in a flooded heat exchanger if the combined primary drain line were to become restricted.

NOTE: In horizontal applications it is recommended to install a secondary drain pan underneath the unit and trap assembly.

NOTE: Vinyl tubing may be used for condensate drain. Tubing must be 1-1/4" o.d. X 1" i.d. and should be attached to the drain on the trap using a hose clamp.

6. If unit will be started immediately upon completion of installation, prime trap per procedure outlined in Unit Start-Up section.

Condensate line must slope downward away from the trap to drain. If drain level is above condensate trap, condensate pump must be used. Condensate drain line should be routed within the conditioned space to avoid freezing of condensate and blockage of drain line. If this is not possible, a heat cable kit may be used on the condensate trap and line. Heating cable kit is available in various lengths; 6 ft. (1.8 m) - kit no. 26K68; 24 ft. (7.3 m) - kit no. 26K69; and 50 ft. (15.2 m) - kit no. 26K70.

CAUTION

Do not use copper tubing or existing copper condensate lines for drain line.

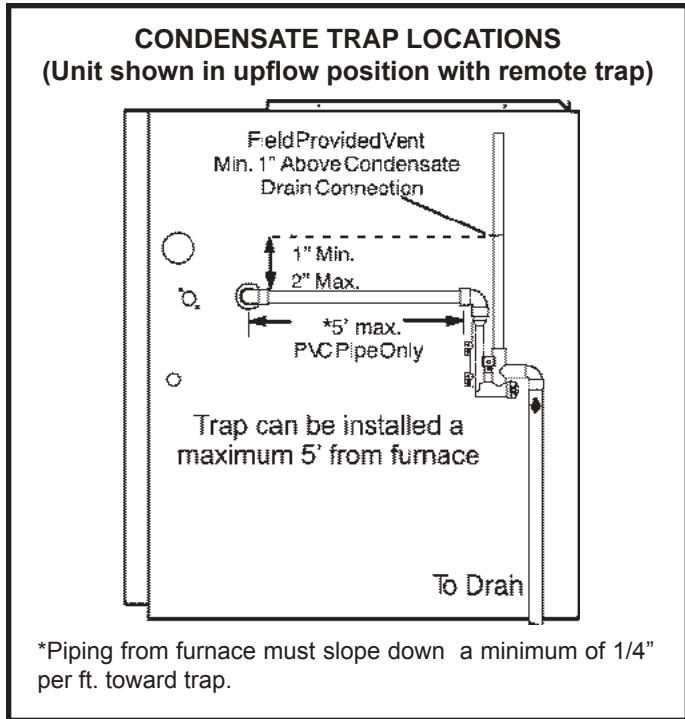


Figure 50

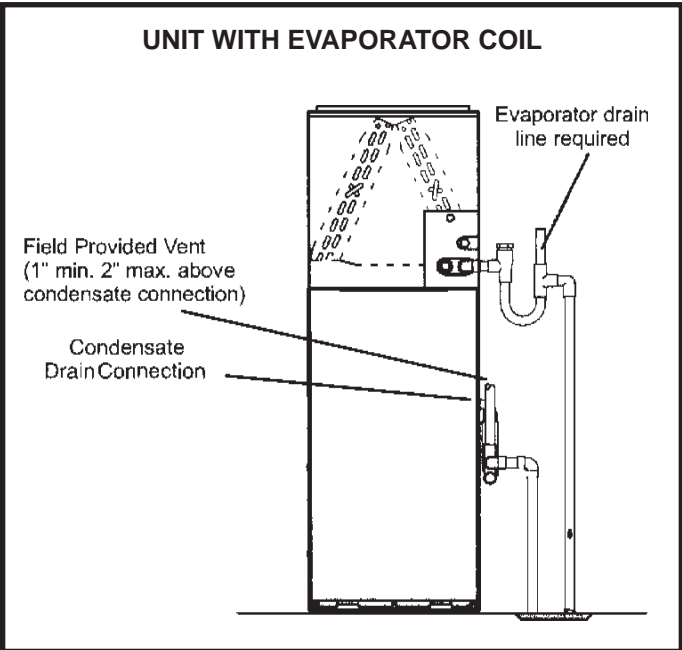


Figure 52

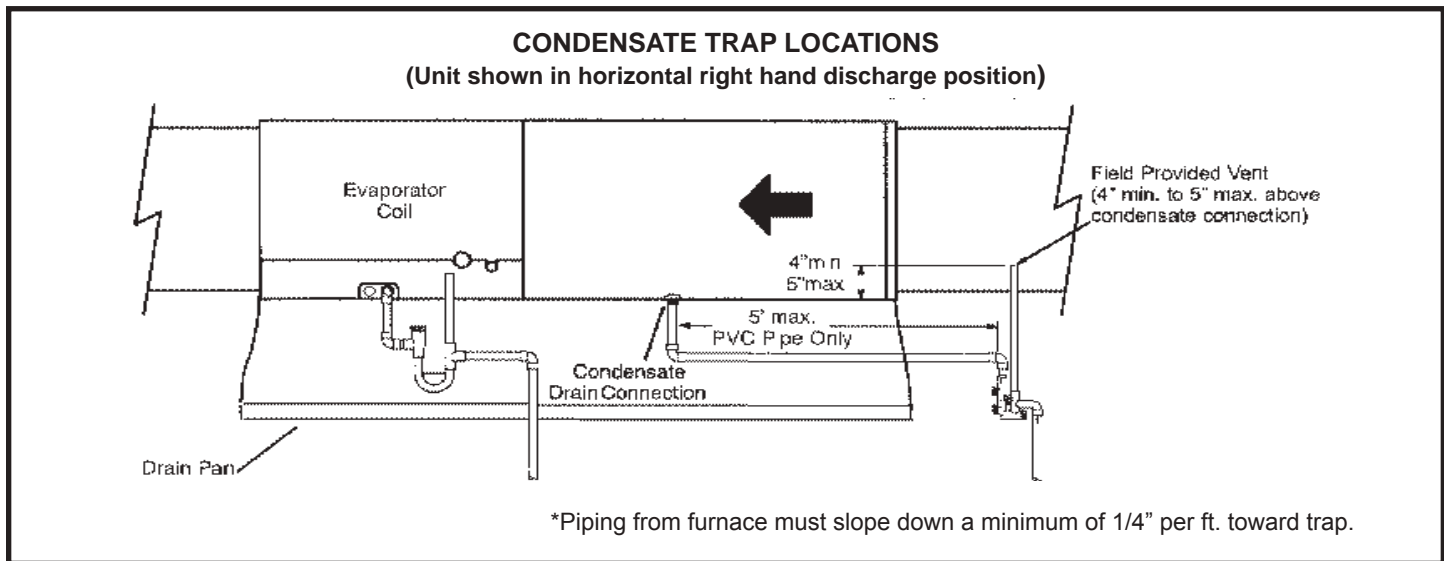


Figure 51

⚠ IMPORTANT

When combining the furnace and evaporator coil drains together, the A/C condensate drain outlet must be vented to relieve pressure in order for the furnace pressure switch to operate properly.

Condensate Trap with Optional Overflow Switch

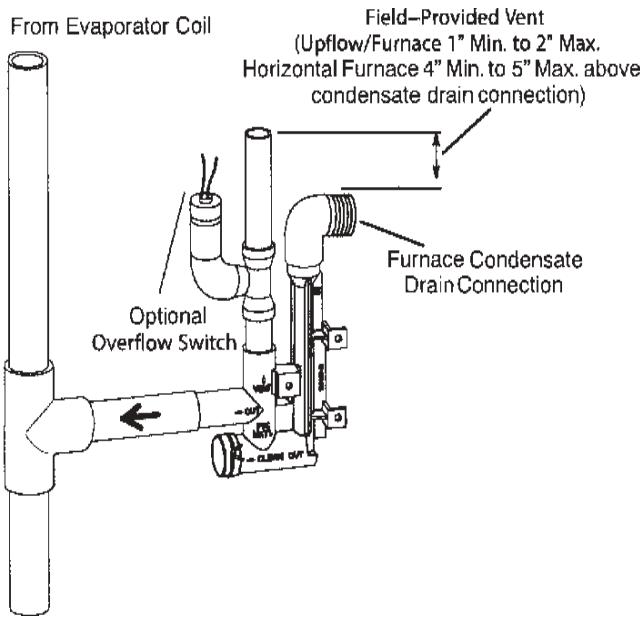


Figure 53

Evaporator Coil using a Common Drain

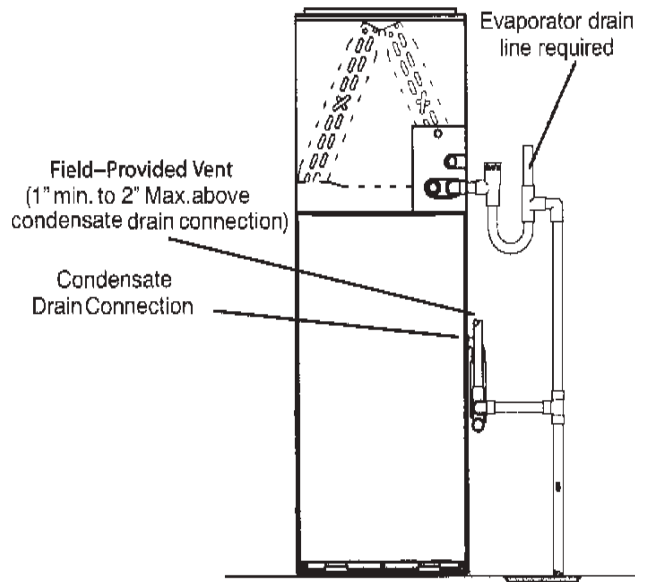
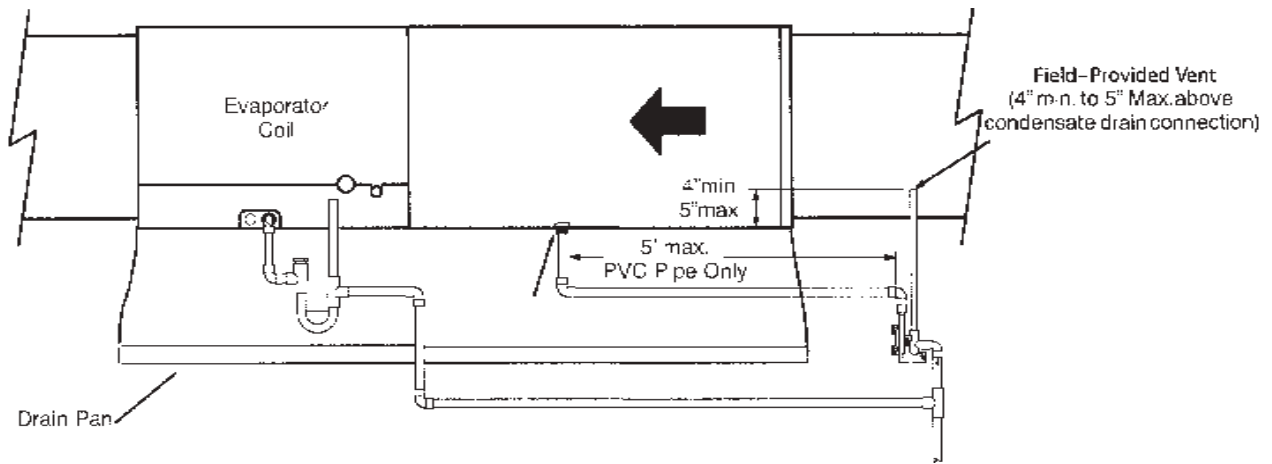


Figure 54

Evaporator Coil using a Common Drain

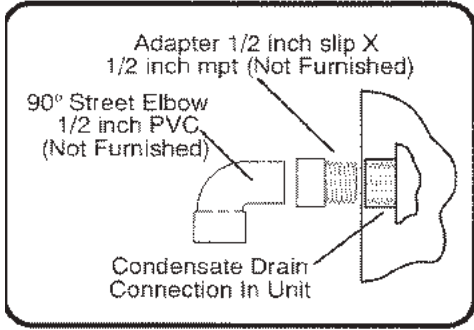


*Piping from furnace must slope down a minimum of 1/4" per ft. toward trap.

Figure 55

TRAP / DRAIN ASSEMBLY USING 1/2" PVC or 3/4" PVC

OPTIONAL Condensate Drain Connection



OPTIONAL Drain Piping

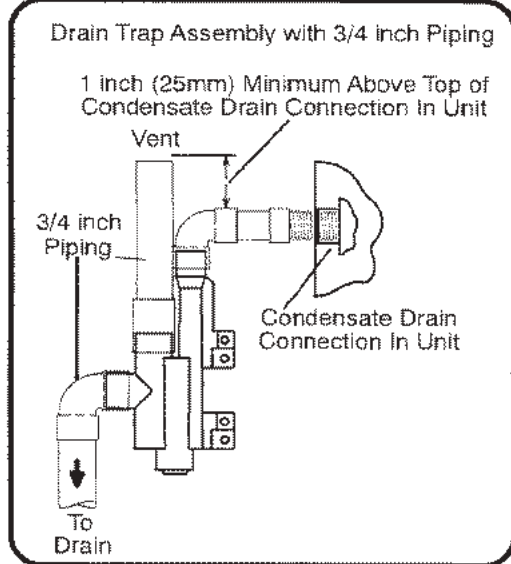
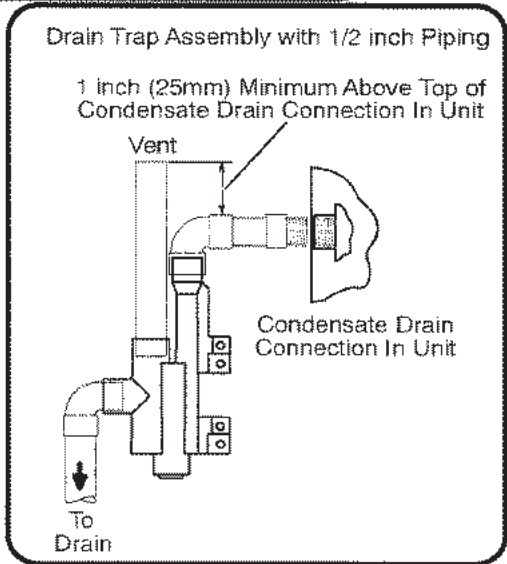
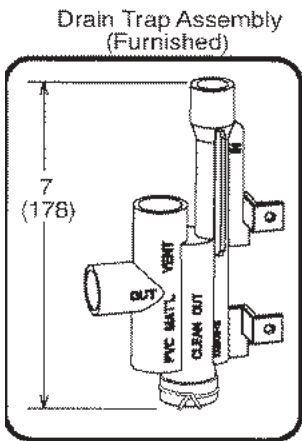
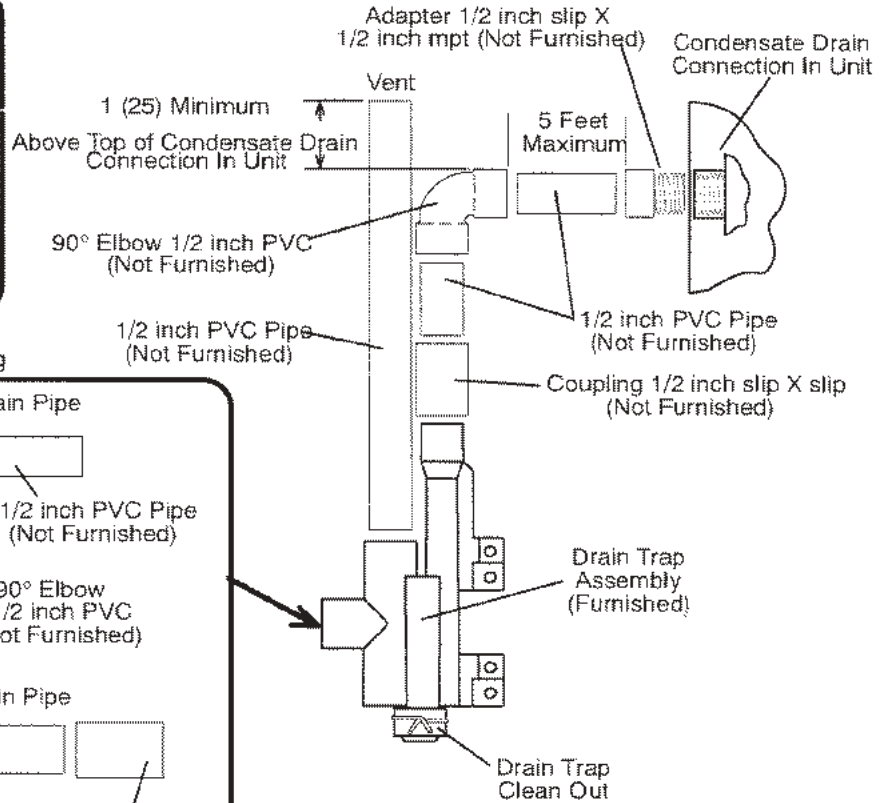
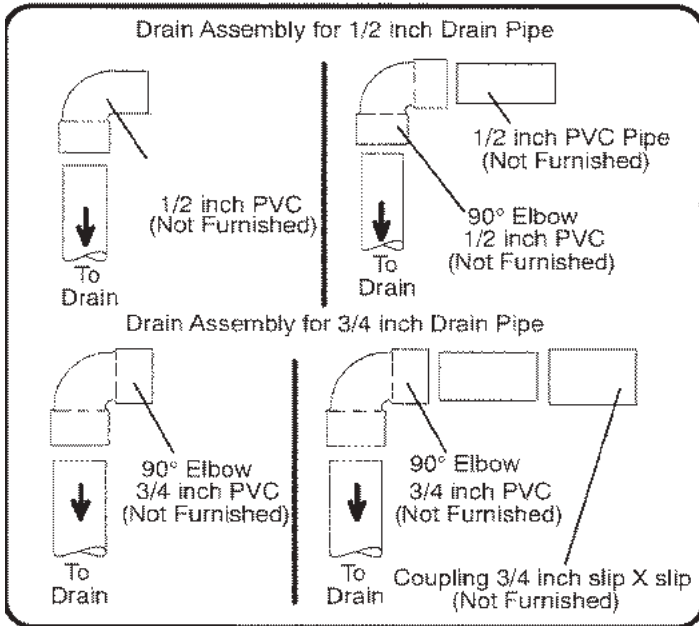


Figure 56

Gas Piping

CAUTION

If a flexible gas connector is required or allowed by the authority that has jurisdiction, black iron pipe shall be installed at the gas valve and extend outside the furnace cabinet. The flexible connector can then be added between the black iron pipe and the gas supply line.

WARNING

Do not exceed 600 in.-lbs. (50 ft.-lbs.) torque when attaching the gas piping to the gas valve.

1. Gas piping may be routed into the unit through either the left or right hand side. Supply piping enters into the gas valve from the side of the valve as shown in Figure 58 and 59. Move Bellows grommet to side which gas line enters. Ensure opposite gas line hole is plugged with supplied plug.

IMPORTANT

A low inlet pressure switch in LP/propane applications is recommended.

2. When connecting gas supply, factors such as length of run, number of fittings and furnace rating must be considered to avoid excessive pressure drop. Table 9 list recommended pipe sizes for typical applications.

NOTE: Use two wrenches when connecting gas piping to avoid transferring to the manifold.

3. Gas piping must not run in or through air ducts, clothes chutes, chimneys or gas vents, dumb waiters or elevator shafts. Center gas line through piping hole. Gas line should not touch side of unit. See Figures 58 and 59.
4. Piping should be sloped 1/4 " per 15 feet (6 mm per 5.6 m) upward toward the gas meter from the furnace. The piping must be supported at proper intervals, every 8 to 10 feet (2.44 to 3.05 m), using suitable hangers or straps. Install a drip leg in vertical pipe runs to serve as a trap for sediment or condensate.
5. A 1/8" N.P.T. plugged tap or pressure post is located on the gas valve to facilitate test gauge connection. See Figure 66.

6. In some localities, codes may require installation of a manual main shut-off valve and union (furnished by installer) external to the unit. Union must be of the ground joint type.

IMPORTANT

Compounds used on threaded joints of gas piping must be resistant to the actions of liquified petroleum gases.

Leak Check

After gas piping is completed, carefully check all piping connections (factory and field installed) for gas leaks. Use a leak detecting solution or other preferred means.

Never use an open flame to test for gas leaks. Check all connections using a commercially available soap solution made specifically for leak detection.

The furnace must be isolated from the gas supply system by closing its individual manual shut-off valve during any pressure testing of the gas supply system at pressures more than or equal to 1/2 psig (3.48 kPa, 14 inches w.c.).

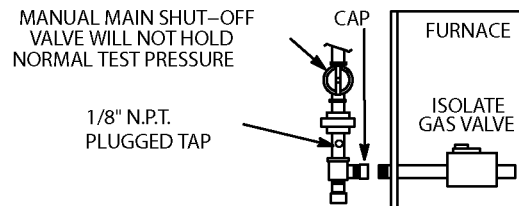


Figure 57

IMPORTANT

When testing pressure of gas lines, gas valve must be disconnected and isolated. See Figure 57. Gas valves can be damaged if subjected to pressures greater than 1/2 psig (3.48 kPa).

WARNING

FIRE OR EXPLOSION HAZARD

Failure to follow the safety warnings exactly could result in serious injury, death, or property damage. Never use an open flame to test for gas leaks. Check all connections using a commercially available soap solution made specifically for leak detection. Some soaps used for leak detection are corrosive to certain metals. Carefully rinse piping thoroughly after leak test has been completed.

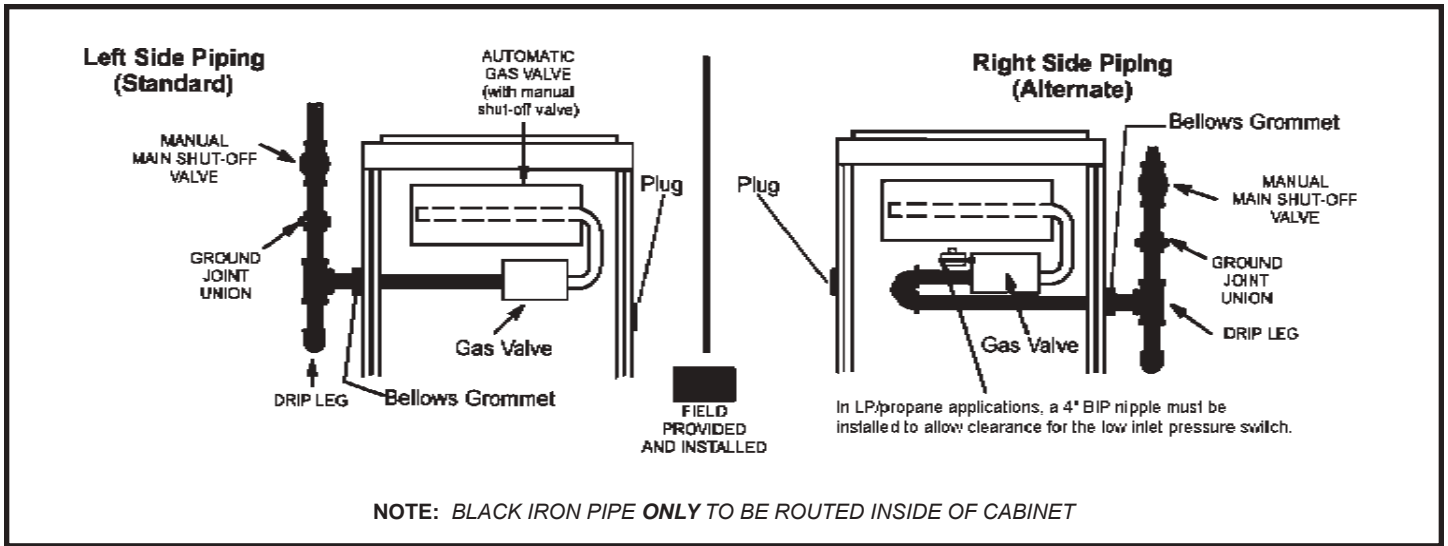


Figure 58

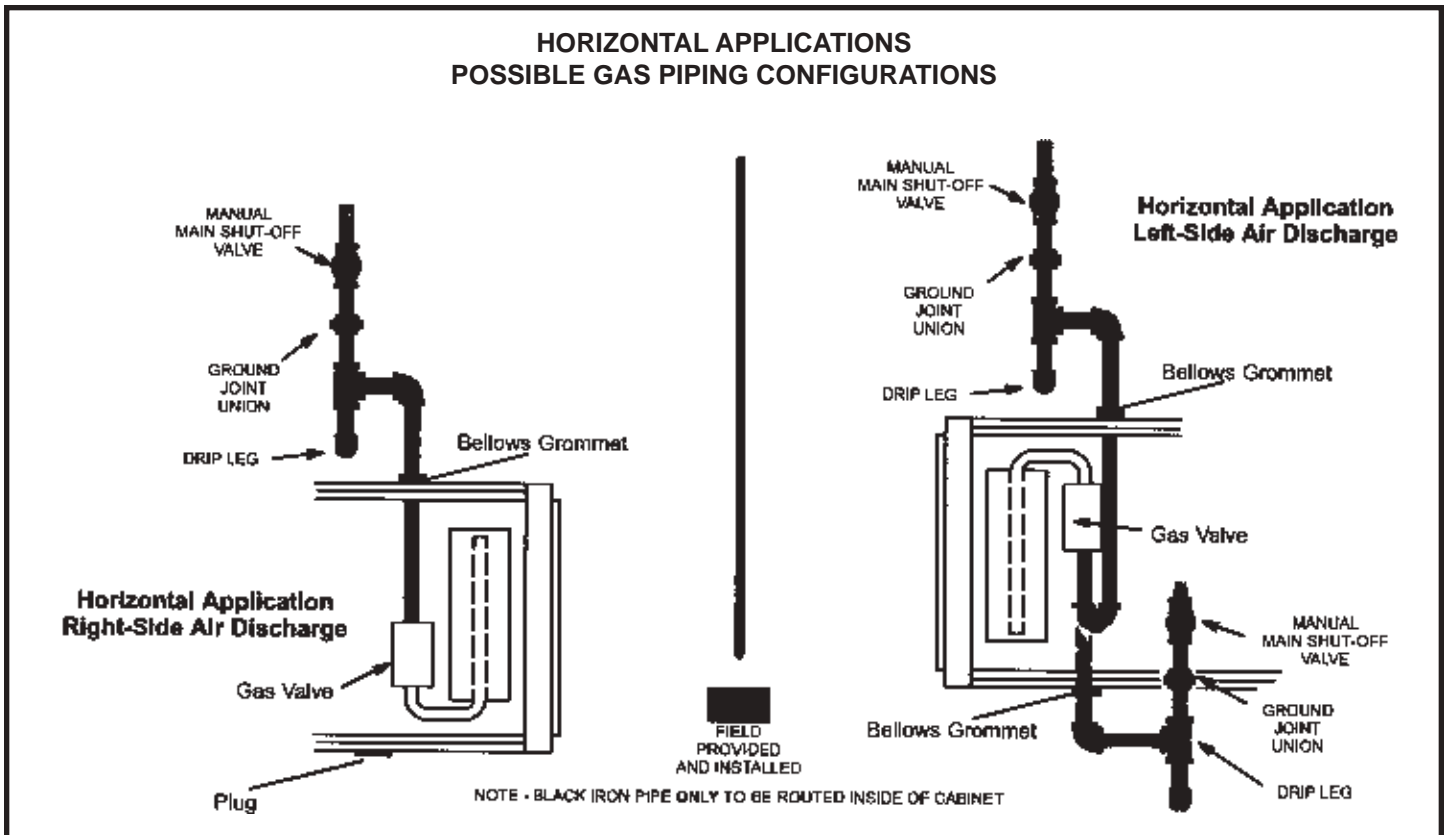


Figure 59

GAS PIPE CAPACITY – FT³/HR (KL/HR)

Nominal Iron Pipe Size Inches(mm)	Internal Diameter Inches(mm)	Length of Pipe–Feet(m)									
		10 (3.048)	20 (6.096)	30 (9.144)	40 (12.192)	50 (15.240)	60 (18.288)	70 (21.336)	80 (24.384)	90 (27.432)	100 (30.480)
1/2 (12.7)	.622 (17.799)	175 (4.96)	120 (3.40)	97 (2.75)	82 (2.32)	73 (2.07)	66 (1.87)	61 (1.73)	57 (1.61)	53 (1.50)	50 (1.42)
3/4 (19.05)	.824 (20.930)	360 (10.19)	250 (7.08)	200 (5.66)	170 (4.81)	151 (4.28)	138 (3.91)	125 (3.54)	118 (3.34)	110 (3.11)	103 (2.92)
1 (25.4)	1.049 (26.645)	680 (19.25)	465 (13.17)	375 (10.62)	320 (9.06)	285 (8.07)	260 (7.36)	240 (6.80)	220 (6.23)	205 (5.80)	195 (5.52)
1–1/4 (31.75)	1.380 (35.052)	1400 (39.64)	950 (26.90)	770 (21.80)	660 (18.69)	580 (16.42)	530 (15.01)	490 (13.87)	460 (13.03)	430 (12.18)	400 (11.33)
1–1/2 (38.1)	1.610 (40.894)	2100 (59.46)	1460 (41.34)	1180 (33.41)	990 (28.03)	900 (25.48)	810 (22.94)	750 (21.24)	690 (19.54)	650 (18.41)	620 (17.56)
2 (50.8)	2.067 (52.502)	3950 (111.85)	2750 (77.87)	2200 (62.30)	1900 (53.80)	1680 (47.57)	1520 (43.04)	1400 (39.64)	1300 (36.81)	1220 (34.55)	1150 (32.56)
2–1/2 (63.5)	2.469 (67.713)	6300 (178.39)	4350 (123.17)	3520 (99.67)	3000 (84.95)	2650 (75.04)	2400 (67.96)	2250 (63.71)	2050 (58.05)	1950 (55.22)	1850 (52.38)
3 (76.2)	3.068 (77.927)	11000 (311.48)	7700 (218.03)	6250 (176.98)	5300 (150.07)	4750 (134.50)	4300 (121.76)	3900 (110.43)	3700 (104.77)	3450 (97.69)	3250 (92.03)
4 (101.6)	4.026 (102.260)	23000 (651.27)	15800 (447.39)	12800 (362.44)	10900 (308.64)	9700 (274.67)	8800 (249.18)	8100 (229.36)	7500 (212.37)	7200 (203.88)	6700 (189.72)

NOTE: Capacity given in cubic feet of gas per hour (kilo liters of gas per hour) and based on 0.60 specific gravity gas.

Table 9

Electrical

ELECTROSTATIC DISCHARGE (ESD) Precautions and Procedures



Electrostatic discharge can affect electronic components. Take precautions during furnace installation and service to protect the furnace's electronic controls. Precautions will help to avoid control exposure to electrostatic discharge by putting the furnace, the control and the technician at the same electrostatic potential. Neutralize electrostatic charge by touching hand and all tools on an unpainted unit surface, such as the gas valve or blower deck, before performing any service procedure.

The unit is equipped with a field makeup box. The makeup box may be moved to the right side of the furnace to facilitate installation. Seal unused openings on left side with plugs removed from right side. Secure the excess wire to the existing harness to protect it from damage.

Refer to Figure 64 for field wiring and Figure 65 for schematic wiring diagram and troubleshooting.

1. The power supply wiring must meet Class I restrictions. Protected by either a fuse or circuit breaker, select circuit protection and wire size according to unit nameplate.

NOTE: *Unit nameplate states maximum current draw. Maximum over current protection allowed is shown in Table 10.*

2. Holes are on both sides of the furnace cabinet to facilitate wiring.
3. Install a separate (properly sized) disconnect switch near the furnace so that power can be turned off for servicing.

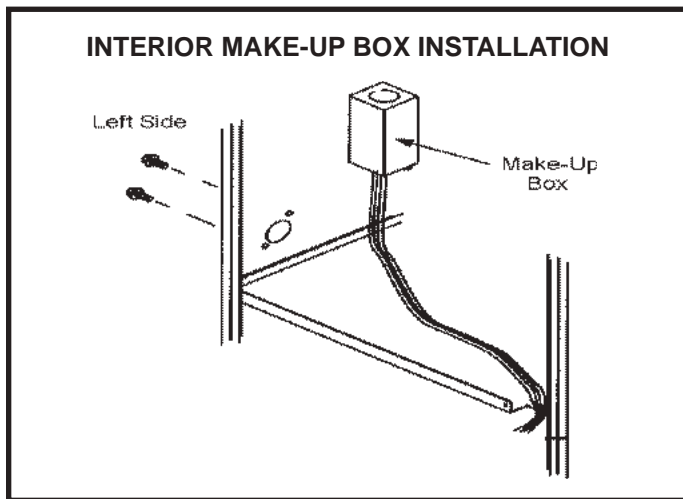


Figure 60

Model	Maximum Over-Current Protection (Amps)
045B12, 070B12, 090C12	15
090C16, 090C20, 110C16, 110C20, 135D20	20

Table 10

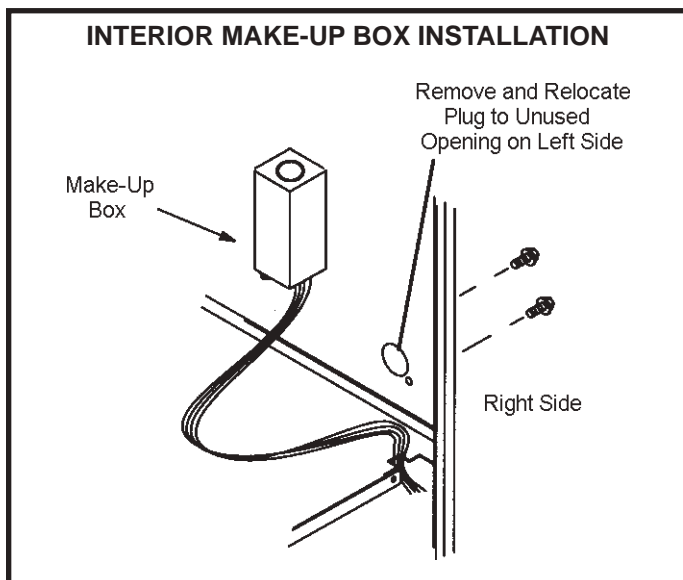


Figure 61

4. Before connecting the thermostat, check to make sure the wires will be long enough for servicing at a later date. Make sure that thermostat wire is long enough to facilitate future removal of blower for service.
5. Complete the wiring connections to the equipment. Use the provided unit wiring diagram and the field wiring diagram shown in Figure 64. Use 18 gauge wire or larger that is suitable for Class II rating for thermostat connections.
6. Electrically ground the unit according to local codes or, in the absence of local codes, according to the current National Electric Code (ANSI/NFPA No. 70). A green ground wire is provided in the field make-up box.

NOTE: *This furnace contains electronic components that are polarity sensitive. Make sure that the furnace is wired correctly and is properly grounded.*

7. One line voltage “EAC” 1/4” spade terminal is provided on the furnace integrated control. Any electronic air cleaner or other accessory rated up to one amp can be connected to this terminal with the neutral leg of the circuit being connected to one of the provided neutral terminals. This terminal is energized when the indoor blower is operating.
8. An unpowered, normally open (dry) set of contacts with a 1/4” spade terminal “HUM” are provided for humidifier connections and may be connected to 24V or 120V. Any humidifier rated up to one amp can be connected to these terminals. In 120V humidifier applications the neutral leg of the circuit can be connected to one of the provided neutral terminals, the terminal is energized in the heating mode.
9. Install the room thermostat according to the instructions provided with the thermostat. If the furnace is being matched with a heat pump, refer to the instruction packaged with the dual fuel thermostat.

Generator Use - Voltage Requirements

The following requirements must be kept in mind when specifying a generator for use with this equipment:

- The furnace requires 120 volts \pm 10% (Range: 108 volts to 132 volts).
- The furnace operates at 60 Hz \pm 5% (Range: 57 Hz to 63 Hz).
- The furnace integrated control requires both polarity and proper ground. Both polarity and proper grounding should be checked before attempting to operate the furnace on either permanent or temporary power.
- Generator should have a wave form distortion of less than 5% THD (Total Harmonic Distortion).

Electrical Wiring



Risk of electrical shock. Disconnect electrical power at the circuit breaker or service panel before making electrical connections. Failure to disconnect power supplies can result in property damage, personal injury, or death.

The furnace must be grounded and wired in accordance with local codes or, in the absence of local codes, with the National Electrical Code ANSI/NFPA No. 70 (latest edition) and/or CSA C22.1 Electrical Code (latest edition) if an external electrical source is utilized.

In all instances, other than wiring for the thermostat, the wiring to be done and any replacement of wire shall conform with the temperature limitation for Type T wire –63°F (35°C) rise.

Connect a sufficiently sized wire with ground to the furnace's line voltage connections and ground wire. Refer to the furnace rating plate for electrical characteristics to be used in sizing field supply wiring and overcurrent protection.

The line voltage supply should be routed through a readily accessible disconnect located within sight of the furnace. A junction box on the furnace side panel is provided for line voltage connections. Refer to the furnace wiring diagram for specific connection information.

Proper polarity of the supply connections (“HOT” and “NEUTRAL”) must be observed to ensure that safety controls provide the protection intended.

A connection to the unit's ground wire and actual earth ground (typically a ground stake or buried steel pipe) must be maintained for proper operation.

Non-Communicating

In non-communication applications this furnace is designed to operate in a SINGLE-STAGE mode or TWO-STAGE mode using a convention thermostat.

For optimal performance in non-communicating applications, use a high quality electronic digital thermostat or any other with adjustable settings for 1st stage / 2nd stage ON/OFF differentials and adjustable stage timers.

Communicating

In communicating applications the Comfort Sync™ thermostat must be used. Refer to the instructions provided with the thermostat for installation, set-up and operation. In communicating systems all unused thermostat wire in the wire bundle needs to be terminated inside and out. The extra wires can terminate on the "C" terminal of the Comfort Sync™ communication terminal strip. Using an additional wire come off "C" terminal and wire nut all the extra wires together. Termination on the outdoor control must match the indoor control.

Indoor Blower Speeds

Non-Communicating

When the thermostat is set to "FAN ON", the indoor blower will run continuously at approximately 38% of the second stage cooling speed when there is no cooling or heating demand.

When the furnace is running in the heating mode, the indoor blower will run on the heating speed designated by the positions of DIP switches 11, 12 and 13.

When there is a cooling demand, the indoor blower will run on the cooling speed designated by the positions of DIP switches 5 and 6. First stage cooling will run at 70% cool speed.

Communicating

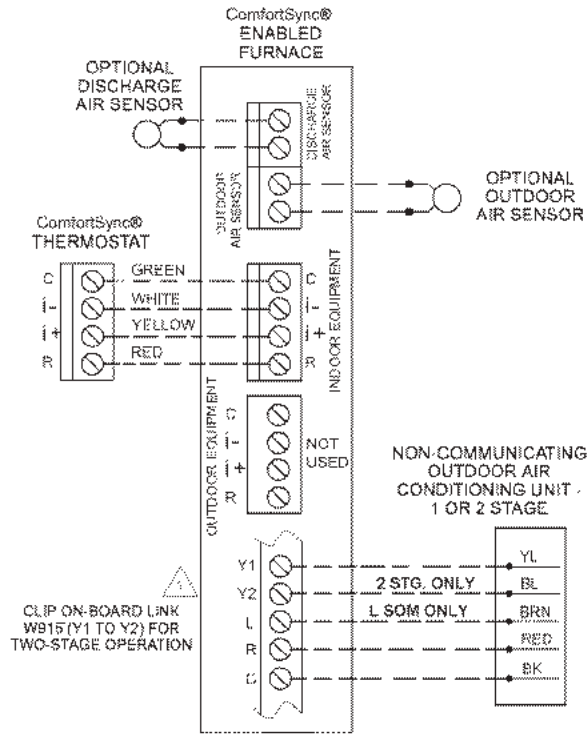
NOTE: *When this furnace is used with a Comfort Sync™ thermostat, proper indoor blower speed selections are made by the communicating thermostat.*

When the thermostat is set to "FAN ON", the indoor blower will run at setting determined during system configuration.

When there is a heating demand the fan will run on heating speeds for firing rate.

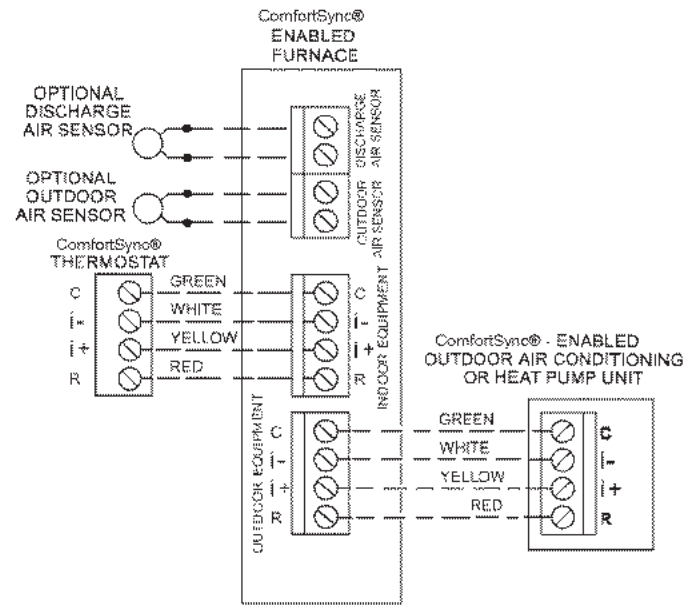
When there is a cooling demand, the fan will run on the first stage and second stage cooling speed set using the Comfort Sync™ thermostat in the installer setup mode. The factory default is based upon 400 CFM per ton.

ComfortSync® Thermostat
 ComfortSync® Enabled Indoor Furnace
 Non-Communicating Outdoor Air Conditioner

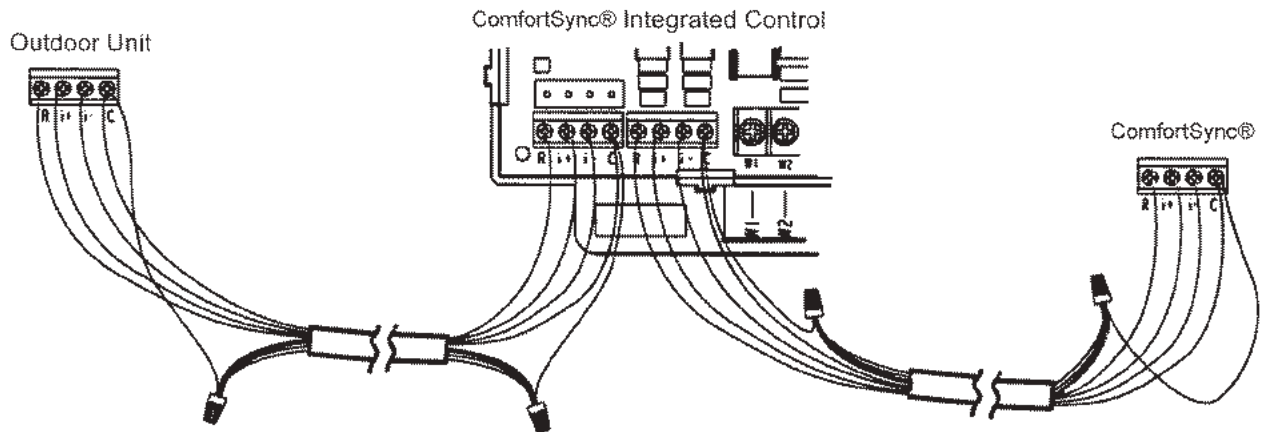


Non-Communicating Outdoor Air Conditioner

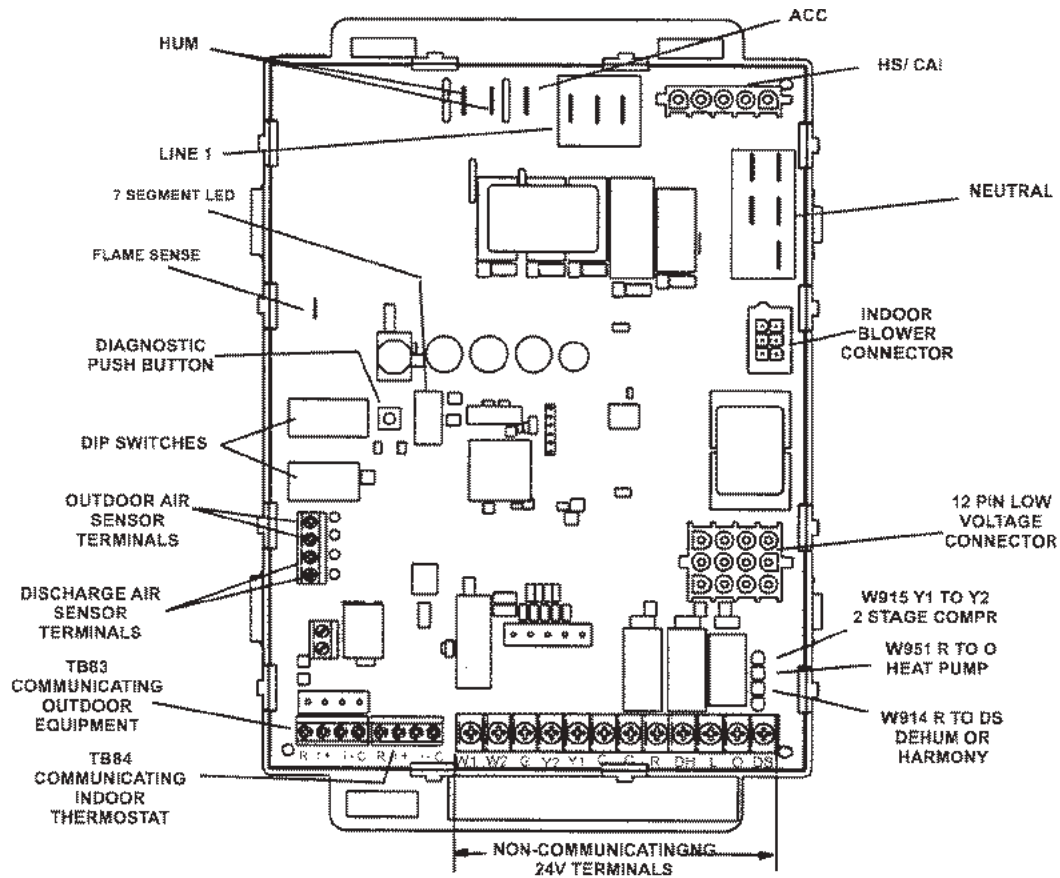
ComfortSync® Thermostat
 ComfortSync® Enabled Indoor Furnace
 ComfortSync® Enabled Outdoor Air Conditioner or Heat Pump



NOTE - On communicating systems, extra wires must terminate on the "C" ComfortSync® terminal strip (RSBus). Use an additional wire and come off "C" terminal and wire nut all the extra wires together. Termination on the outdoor control must match the indoor control.



Integrated Control



RS-BUS LINK (TB82, future use)

I+ = DATA HIGH CONNECTION
I- = DATA LOW CONNECTION

RS-BUS OUTDOOR (TB83)

R = 24VAC
I+ = DATA HIGH CONNECTION
I- = DATA LOW CONNECTION
C = 24VAXC COMMON

RS-BUS INDOOR (TB84)

R = 24VAC
I+ = DATA HIGH CONNECTION
I- = DATA LOW CONNECTION
C = 24VAXC COMMON

1/4" QUICK CONNECT TERMINALS

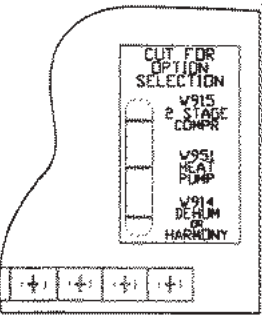
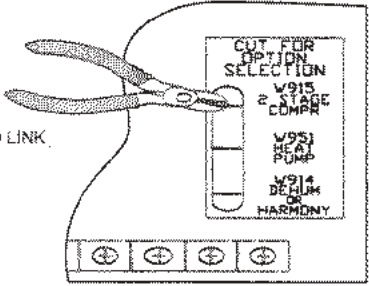
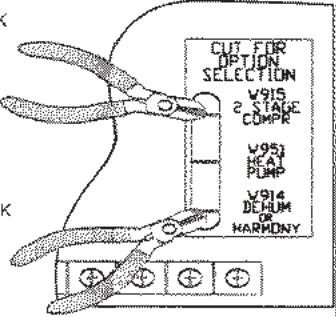
HUM = UNPOWERED NORMALLY OPEN (DRY) CONTACTS
XMFR = 120 VAC OUTPUT TO TRANSFORMER
LI = 120 VAC INPUT TO CONTROL
ACC = 120 VAC OUTPUT TO OPTIONAL ACCESSORY
NEUTRALS = 120 VAC NEUTRAL

THERMOSTAT CONNECTIONS (TB1)

DS = DEHUMIDIFICATION SIGNAL
W2 = HEAT DEMAND FROM 2ND STAGE T/STAT
W1 = HEAT DEMAND FROM 1ST STAGE T/STAT
R = CLASS 2 VOLTAGE TO THERMOSTAT
G = MANUAL FAN FROM T'STAT
C = THERMOSTAT SIGNAL GROUND CONNECTED TO TRANSFORMER GRD (TR) & CHASIS GROUND (GRD)
Y1 = THERMOSTAT 1ST STAGE COOL SIGNAL
Y2 = THERMOSTAT 2ND STAGE COOL SIGNAL
O = THERMOSTAT SIGNAL TO HEAT PUMP REVERSING VALVE
DH = DEHUMIDIFICATION OUTPUT COMMUNICATING THERMOSTAT ONLY
L = USE ONLY WITH A COMMUNICATING THERMOSTAT AND A NON-COMMUNICATING OUTDOOR UNIT

Figure 56

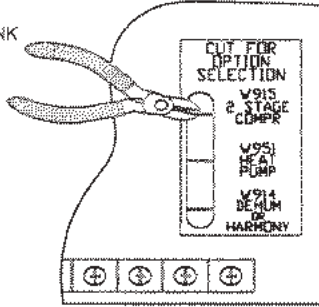
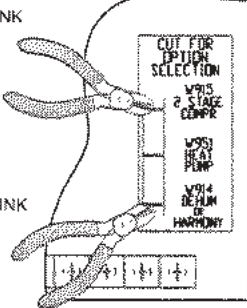
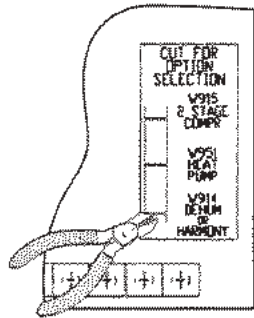
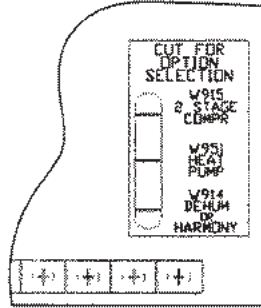
Field Wiring Applications with Conventional Thermostat

Thermostat	DIP Switch Settings and On-Board Links		Wiring Connections																														
	DIP Switch 1 Thermostat Heating Stages	On Board Links Must Be Cut To Select System Options																															
<p>1 Heat / 1 Cool</p> <p><i>NOTE - Use DIP switch 2 to set second-stage heat ON delay. OFF-7 minutes. ON-12 minutes.</i></p>	ON	<p>DO NOT CUT ANY ON-BOARD LINKS</p> 	<table style="width: 100%; border-collapse: collapse;"> <thead> <tr> <th style="width: 33%;">S1 T'STAT</th> <th style="width: 33%;">FURNACE TERM. STRIP</th> <th style="width: 33%;">OUTDOOR UNIT</th> </tr> </thead> <tbody> <tr> <td>(W2)</td> <td>(DB)</td> <td></td> </tr> <tr> <td>(W1)</td> <td>(W2)</td> <td></td> </tr> <tr> <td>(R) -----</td> <td>(R)</td> <td style="text-align: center;">* (R)</td> </tr> <tr> <td>(G) -----</td> <td>(G)</td> <td></td> </tr> <tr> <td>(C) -----</td> <td>(C)</td> <td>(C)</td> </tr> <tr> <td>(Y) -----</td> <td>(Y2)</td> <td></td> </tr> <tr> <td></td> <td>(Y1)</td> <td>(Y1)</td> </tr> <tr> <td></td> <td>(O)</td> <td></td> </tr> </tbody> </table>	S1 T'STAT	FURNACE TERM. STRIP	OUTDOOR UNIT	(W2)	(DB)		(W1)	(W2)		(R) -----	(R)	* (R)	(G) -----	(G)		(C) -----	(C)	(C)	(Y) -----	(Y2)			(Y1)	(Y1)		(O)				
S1 T'STAT	FURNACE TERM. STRIP	OUTDOOR UNIT																															
(W2)	(DB)																																
(W1)	(W2)																																
(R) -----	(R)	* (R)																															
(G) -----	(G)																																
(C) -----	(C)	(C)																															
(Y) -----	(Y2)																																
	(Y1)	(Y1)																															
	(O)																																
<p>1 Heat / 2 Cool</p> <p><i>NOTE - Use DIP switch 2 to set second-stage heat ON delay. OFF-7 minutes. ON-12 minutes.</i></p>	ON	<p>CUT ON-BOARD LINK W915 2 STAGE COMPR</p> 	<table style="width: 100%; border-collapse: collapse;"> <thead> <tr> <th style="width: 33%;">S1 T'STAT</th> <th style="width: 33%;">FURNACE TERM. STRIP</th> <th style="width: 33%;">OUTDOOR UNIT</th> </tr> </thead> <tbody> <tr> <td>(W)</td> <td>(DB)</td> <td></td> </tr> <tr> <td>(R) -----</td> <td>(W2)</td> <td></td> </tr> <tr> <td>(R) -----</td> <td>(W1)</td> <td style="text-align: center;">* (R)</td> </tr> <tr> <td>(G) -----</td> <td>(R)</td> <td></td> </tr> <tr> <td>(C) -----</td> <td>(G)</td> <td>(C)</td> </tr> <tr> <td>(Y2) -----</td> <td>(C)</td> <td></td> </tr> <tr> <td>(Y1) -----</td> <td>(Y2)</td> <td>(Y2)</td> </tr> <tr> <td></td> <td>(Y1)</td> <td>(Y1)</td> </tr> <tr> <td></td> <td>(O)</td> <td></td> </tr> </tbody> </table>	S1 T'STAT	FURNACE TERM. STRIP	OUTDOOR UNIT	(W)	(DB)		(R) -----	(W2)		(R) -----	(W1)	* (R)	(G) -----	(R)		(C) -----	(G)	(C)	(Y2) -----	(C)		(Y1) -----	(Y2)	(Y2)		(Y1)	(Y1)		(O)	
S1 T'STAT	FURNACE TERM. STRIP	OUTDOOR UNIT																															
(W)	(DB)																																
(R) -----	(W2)																																
(R) -----	(W1)	* (R)																															
(G) -----	(R)																																
(C) -----	(G)	(C)																															
(Y2) -----	(C)																																
(Y1) -----	(Y2)	(Y2)																															
	(Y1)	(Y1)																															
	(O)																																
<p>1 Heat / 2 Cool with t'stat with humidity control</p> <p><i>NOTE - Use DIP switch 2 to set second-stage heat ON delay. OFF-7 minutes. ON-12 minutes.</i></p>	ON	<p>CUT ON-BOARD LINK W915 2 STAGE COMPR</p> <p>CUT ON-BOARD LINK W914 DEHUM OR HARMONY</p> 	<table style="width: 100%; border-collapse: collapse;"> <thead> <tr> <th style="width: 33%;">S1 T'STAT</th> <th style="width: 33%;">FURNACE TERM. STRIP</th> <th style="width: 33%;">OUTDOOR UNIT</th> </tr> </thead> <tbody> <tr> <td>(DB) -----</td> <td>(DB)</td> <td></td> </tr> <tr> <td>(W1) -----</td> <td>(W2)</td> <td></td> </tr> <tr> <td>(R) -----</td> <td>(W1)</td> <td style="text-align: center;">* (R)</td> </tr> <tr> <td>(G) -----</td> <td>(R)</td> <td></td> </tr> <tr> <td>(C) -----</td> <td>(G)</td> <td>(C)</td> </tr> <tr> <td>(Y2) -----</td> <td>(C)</td> <td></td> </tr> <tr> <td>(Y1) -----</td> <td>(Y2)</td> <td>(Y2)</td> </tr> <tr> <td></td> <td>(Y1)</td> <td>(Y1)</td> </tr> <tr> <td></td> <td>(O)</td> <td></td> </tr> </tbody> </table>	S1 T'STAT	FURNACE TERM. STRIP	OUTDOOR UNIT	(DB) -----	(DB)		(W1) -----	(W2)		(R) -----	(W1)	* (R)	(G) -----	(R)		(C) -----	(G)	(C)	(Y2) -----	(C)		(Y1) -----	(Y2)	(Y2)		(Y1)	(Y1)		(O)	
S1 T'STAT	FURNACE TERM. STRIP	OUTDOOR UNIT																															
(DB) -----	(DB)																																
(W1) -----	(W2)																																
(R) -----	(W1)	* (R)																															
(G) -----	(R)																																
(C) -----	(G)	(C)																															
(Y2) -----	(C)																																
(Y1) -----	(Y2)	(Y2)																															
	(Y1)	(Y1)																															
	(O)																																

* Not required on all units.

Table 13A

Field Wiring Applications with Conventional Thermostat (continued)

Thermostat	DIP Switch Settings and On-Board Links		Wiring Connections																														
	DIP Switch 1 Thermostat Heating Stages	On Board Links Must Be Cut To Select System Options																															
2 Heat / 2 Cool	OFF	<p>CUT ON-BOARD LINK W915 2 STAGE COMPR</p> 	<table style="width: 100%; border-collapse: collapse;"> <thead> <tr> <th style="text-align: center;">S1 T'STAT</th> <th style="text-align: center;">FURNACE TERM. STRIP</th> <th style="text-align: center;">OUTDOOR UNIT</th> </tr> </thead> <tbody> <tr> <td style="text-align: center;">DB</td> <td style="text-align: center;">DB</td> <td></td> </tr> <tr> <td style="text-align: center;">W2</td> <td style="text-align: center;">W2</td> <td></td> </tr> <tr> <td style="text-align: center;">W1</td> <td style="text-align: center;">W1</td> <td></td> </tr> <tr> <td style="text-align: center;">R</td> <td style="text-align: center;">R</td> <td style="text-align: center;">* R</td> </tr> <tr> <td style="text-align: center;">G</td> <td style="text-align: center;">G</td> <td></td> </tr> <tr> <td style="text-align: center;">C</td> <td style="text-align: center;">C</td> <td style="text-align: center;">C</td> </tr> <tr> <td style="text-align: center;">Y2</td> <td style="text-align: center;">Y2</td> <td style="text-align: center;">Y2</td> </tr> <tr> <td style="text-align: center;">Y1</td> <td style="text-align: center;">Y1</td> <td style="text-align: center;">Y1</td> </tr> <tr> <td></td> <td style="text-align: center;">O</td> <td></td> </tr> </tbody> </table>	S1 T'STAT	FURNACE TERM. STRIP	OUTDOOR UNIT	DB	DB		W2	W2		W1	W1		R	R	* R	G	G		C	C	C	Y2	Y2	Y2	Y1	Y1	Y1		O	
S1 T'STAT	FURNACE TERM. STRIP	OUTDOOR UNIT																															
DB	DB																																
W2	W2																																
W1	W1																																
R	R	* R																															
G	G																																
C	C	C																															
Y2	Y2	Y2																															
Y1	Y1	Y1																															
	O																																
2 Heat / 2 Cool with t'stat with humidity control	OFF	<p>CUT ON-BOARD LINK W915 2 STAGE COMPR</p> <p>CUT ON-BOARD LINK W914 DEHUM OR HARMONY</p> 	<table style="width: 100%; border-collapse: collapse;"> <thead> <tr> <th style="text-align: center;">S1 T'STAT</th> <th style="text-align: center;">FURNACE TERM. STRIP</th> <th style="text-align: center;">OUTDOOR UNIT</th> </tr> </thead> <tbody> <tr> <td style="text-align: center;">DB</td> <td style="text-align: center;">DB</td> <td></td> </tr> <tr> <td style="text-align: center;">W2</td> <td style="text-align: center;">W2</td> <td></td> </tr> <tr> <td style="text-align: center;">W1</td> <td style="text-align: center;">W1</td> <td></td> </tr> <tr> <td style="text-align: center;">R</td> <td style="text-align: center;">R</td> <td style="text-align: center;">* R</td> </tr> <tr> <td style="text-align: center;">G</td> <td style="text-align: center;">G</td> <td></td> </tr> <tr> <td style="text-align: center;">C</td> <td style="text-align: center;">C</td> <td style="text-align: center;">C</td> </tr> <tr> <td style="text-align: center;">Y2</td> <td style="text-align: center;">Y2</td> <td style="text-align: center;">Y2</td> </tr> <tr> <td style="text-align: center;">Y1</td> <td style="text-align: center;">Y1</td> <td style="text-align: center;">Y1</td> </tr> <tr> <td></td> <td style="text-align: center;">O</td> <td></td> </tr> </tbody> </table>	S1 T'STAT	FURNACE TERM. STRIP	OUTDOOR UNIT	DB	DB		W2	W2		W1	W1		R	R	* R	G	G		C	C	C	Y2	Y2	Y2	Y1	Y1	Y1		O	
S1 T'STAT	FURNACE TERM. STRIP	OUTDOOR UNIT																															
DB	DB																																
W2	W2																																
W1	W1																																
R	R	* R																															
G	G																																
C	C	C																															
Y2	Y2	Y2																															
Y1	Y1	Y1																															
	O																																
2 Heat / 1 Cool with t'stat with humidity control	OFF	<p>CUT ON-BOARD LINK W914 DEHUM OR HARMONY</p> 	<table style="width: 100%; border-collapse: collapse;"> <thead> <tr> <th style="text-align: center;">S1 T'STAT</th> <th style="text-align: center;">FURNACE TERM. STRIP</th> <th style="text-align: center;">OUTDOOR UNIT</th> </tr> </thead> <tbody> <tr> <td style="text-align: center;">DB</td> <td style="text-align: center;">DB</td> <td></td> </tr> <tr> <td style="text-align: center;">W2</td> <td style="text-align: center;">W2</td> <td></td> </tr> <tr> <td style="text-align: center;">W1</td> <td style="text-align: center;">W1</td> <td></td> </tr> <tr> <td style="text-align: center;">R</td> <td style="text-align: center;">R</td> <td style="text-align: center;">* R</td> </tr> <tr> <td style="text-align: center;">G</td> <td style="text-align: center;">G</td> <td></td> </tr> <tr> <td style="text-align: center;">C</td> <td style="text-align: center;">C</td> <td style="text-align: center;">C</td> </tr> <tr> <td style="text-align: center;">Y1</td> <td style="text-align: center;">Y1</td> <td style="text-align: center;">Y1</td> </tr> <tr> <td></td> <td style="text-align: center;">O</td> <td></td> </tr> </tbody> </table>	S1 T'STAT	FURNACE TERM. STRIP	OUTDOOR UNIT	DB	DB		W2	W2		W1	W1		R	R	* R	G	G		C	C	C	Y1	Y1	Y1		O				
S1 T'STAT	FURNACE TERM. STRIP	OUTDOOR UNIT																															
DB	DB																																
W2	W2																																
W1	W1																																
R	R	* R																															
G	G																																
C	C	C																															
Y1	Y1	Y1																															
	O																																
2 Heat / 1 Cool	OFF	<p>DO NOT CUT ANY ON-BOARD LINKS</p> 	<table style="width: 100%; border-collapse: collapse;"> <thead> <tr> <th style="text-align: center;">S1 T'STAT</th> <th style="text-align: center;">FURNACE TERM. STRIP</th> <th style="text-align: center;">OUTDOOR UNIT</th> </tr> </thead> <tbody> <tr> <td></td> <td style="text-align: center;">DB</td> <td></td> </tr> <tr> <td style="text-align: center;">W2</td> <td style="text-align: center;">W2</td> <td></td> </tr> <tr> <td style="text-align: center;">W1</td> <td style="text-align: center;">W1</td> <td></td> </tr> <tr> <td style="text-align: center;">R</td> <td style="text-align: center;">R</td> <td style="text-align: center;">* R</td> </tr> <tr> <td style="text-align: center;">G</td> <td style="text-align: center;">G</td> <td></td> </tr> <tr> <td style="text-align: center;">C</td> <td style="text-align: center;">C</td> <td style="text-align: center;">C</td> </tr> <tr> <td></td> <td style="text-align: center;">Y2</td> <td></td> </tr> <tr> <td style="text-align: center;">Y</td> <td style="text-align: center;">Y1</td> <td style="text-align: center;">Y1</td> </tr> <tr> <td></td> <td style="text-align: center;">O</td> <td></td> </tr> </tbody> </table>	S1 T'STAT	FURNACE TERM. STRIP	OUTDOOR UNIT		DB		W2	W2		W1	W1		R	R	* R	G	G		C	C	C		Y2		Y	Y1	Y1		O	
S1 T'STAT	FURNACE TERM. STRIP	OUTDOOR UNIT																															
	DB																																
W2	W2																																
W1	W1																																
R	R	* R																															
G	G																																
C	C	C																															
	Y2																																
Y	Y1	Y1																															
	O																																

* Not required on all units.

Table 13B

Field Wiring Applications with Conventional Thermostat (continued)

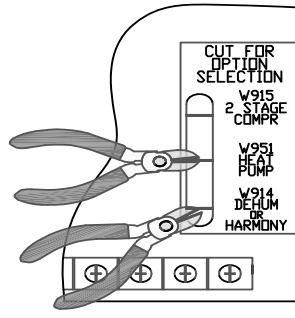
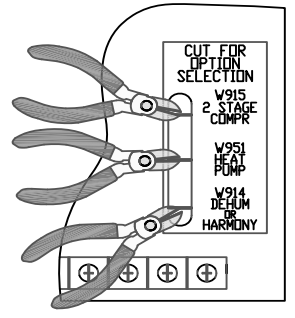
Thermostat	DIP Switch Settings and On-Board Links (figure 60)		Wiring Connections
	DIP Switch 1 Thermostat Heating Stages	On Board Links Must Be Cut To Select System Options	
<p>• • • • •</p> <p>• • • • •</p> <p>• • • • •</p> <p>• • • • •</p>	<p>•</p>	<p>• • • • •, f₁, • • • • • • • • • • S</p>	<p>L7724U T'STAT FURNACE TERM. STRIP HEAT PUMP</p> <p>(R) --- (R) --- (R)</p> <p>(H) --- (H) --- (H)</p> <p>(W2) --- (W2) ← S °C --- (W1)</p> <p>(W1) --- (W1) ← S °C --- (W1)</p> <p>(O) --- (O) --- (O)</p> <p>(L) --- (L) --- (L)</p> <p>(Y1) --- (Y1) --- (Y1)</p> <p>(Y2) --- (Y2) --- (Y2)</p> <p>(G) --- (G) --- (G)</p> <p>(D) --- (D) --- (D)</p> <p>(B) --- (B) --- (B)</p> <p>(C) --- (C) --- (C)</p> <p>(T) --- (T) --- (T)</p> <p>(T) --- (T) --- outdoor sensor</p>
<p>• • • • •</p> <p>• • • • •</p> <p>• • • • •</p> <p>• • • • •</p>	<p>•</p>	<p>• • • • •, f₁, • • • • • • • • • • S</p> <p>• • • • •, f₁, • • • • • • • • • • S</p>	<p>L7724U T'STAT FURNACE TERM. STRIP HEAT PUMP</p> <p>(R) --- (R) --- (R)</p> <p>(H) --- (H) --- (H)</p> <p>(W2) --- (W2) ← S °C --- (W1)</p> <p>(W1) --- (W1) ← S °C --- (W1)</p> <p>(O) --- (O) --- (O)</p> <p>(L) --- (L) --- (L)</p> <p>(Y1) --- (Y1) --- (Y1)</p> <p>(Y2) --- (Y2) --- (Y2)</p> <p>(G) --- (G) --- (G)</p> <p>(D) --- (D) --- (D)</p> <p>(B) --- (B) --- (B)</p> <p>(C) --- (C) --- (C)</p> <p>(T) --- (T) --- (T)</p> <p>(T) --- (T) --- outdoor sensor</p> <p>Y2 out blue</p>

* Connect W1 to W1 ONLY if using defrost tempering kit 67M41

NOTE - Do NOT make a wire connection between the room thermostat L terminal and the L terminal of the EL296 integrated control.

Table 13C

Field Wiring Applications with Conventional Thermostat (continued)

Thermostat	DIP Switch Settings and On-Board Links (figure 60)		Wiring Connections
	DIP Switch 1 Thermostat Heating Stages	On Board Links Must Be Cut To Select System Options	
<p>• • • • •</p> <p>• • • • •</p> <p>• • • • •</p> <p>• • • • •</p> <p>• • • • •</p>	•	<p>• • -E•f n ... +±% S• (</p> <p>• • -E•f n ... +±% S• (</p> <p>• f • OE</p> 	<p>L7742U T'STAT FURNACE TERM. STRIP HEAT PUMP</p> <p>R-----R-----R</p> <p>H-----R-----R</p> <p>W2-----W2-----W2</p> <p>W1-----W1-----W1</p> <p>O-----O-----O</p> <p>L-----L-----L</p> <p>Y1-----Y1-----Y</p> <p>Y2-----Y2-----Y2</p> <p>G-----G-----G</p> <p>D-----D8-----D8</p> <p>B-----Y2-----Y2</p> <p>C-----C-----C</p> <p>T-----T-----T</p> <p>T-----T-----T</p> <p>outdoor sensor</p>
<p>• • • • •</p> <p>• • • • •</p> <p>• • • • •</p> <p>• • • • •</p> <p>• • • • •</p>	•	<p>• • -E•f n ... +±% S• (</p> <p>• • -E•f n ... +±% S• (</p> <p>• • -E•f n ... +±% S• (</p> <p>• f • OE</p> 	<p>L7742U T'STAT FURNACE TERM. STRIP HEAT PUMP</p> <p>R-----R-----R</p> <p>H-----R-----R</p> <p>W2-----W2-----W2</p> <p>W1-----W1-----W1</p> <p>O-----O-----O</p> <p>L-----L-----L</p> <p>Y1-----Y1-----Y1</p> <p>Y2-----Y2-----Y2</p> <p>G-----G-----G</p> <p>D-----D8-----D8</p> <p>B-----Y2-----Y2</p> <p>C-----C-----C</p> <p>T-----T-----T</p> <p>T-----T-----T</p> <p>Y2 out blue</p> <p>outdoor sensor</p>

* Connect W1 to W1 ONLY if using defrost tempering kit 67M41

NOTE - Do NOT make a wire connection between the room thermostat L terminal and the L terminal of the EL296 integrated control.

Table 13D

A96US2V045B12S BLOWER PERFORMANCE (less filter)

0 through 0.8 in. w.c. (Heating) and 0 through 1.0 in. w.c. (Cooling) External Static Pressure Range

HEATING								
¹ Heating Speed Dip Switch Setting	First Stage heating Speed - cfm				Second Stage Heating Speed-cfm			
+24%	900				1115			
+18%	855				1060			
+12%	810				1010			
+6%	770				955			
Factory Default	725				900			
-6%	680				845			
-12%	640				795			
-18%	595				740			
COOLING								
¹ Cooling Speed DIP Switch Settings	First Stage Cooling Speed -cfm				Second Stage Cooling Speed-cfm			
	Low	Medium-Low	Medium-High	² High	Low	Medium-Low	Medium-High	² High
+	605	745	855	965	880	1045	1210	1375
Factory	550	675	775	875	800	950	1100	1250
-	495	610	700	790	720	855	990	1125

¹Cooling and Heating speed are based on a combination of DIP switch setting on the furnace control. Refer to installation instruction for specific DIP Switch settings

²Factory default setting

NOTES: The effect of static pressure is included in air volumes shown.

First stage Cool (two stage air conditioning units only) is approximately 70% of the same second stage COOL speed position
 Continuous Fan Only speed approximately 50% of the selected second stage cooling speed - minimum 500cfm.

A96US2V070B12S BLOWER PERFORMANCE (less filter)

0 through 0.8 in. w.c. (Heating) and 0 through 1.0 in. w.c. (Cooling) External Static Pressure Range

HEATING								
¹ Heating Speed Dip Switch Setting	First Stage heating Speed - cfm				Second Stage Heating Speed-cfm			
+24%	1085				1210			
+18%	1035				1150			
+12%	980				1090			
+6%	928				1035			
Factory Default	875				975			
-6%	825				915			
-12%	770				860			
-18%	720				800			
COOLING								
¹ Cooling Speed DIP Switch Settings	First Stage Cooling Speed -cfm				Second Stage Cooling Speed-cfm			
	Low	Medium-Low	Medium-High	² High	Low	Medium-Low	Medium-High	² High
+	605	740	855	955	880	1045	1210	1375
Factory	550	675	775	875	800	950	1100	1250
-	495	610	700	790	720	855	990	1125

¹Cooling and Heating speed are based on a combination of DIP switch setting on the furnace control. Refer to installation instruction for specific DIP Switch settings

²Factory default setting

NOTES: The effect of static pressure is included in air volumes shown.

First stage Cool (two stage air conditioning units only) is approximately 70% of the same second stage COOL speed position
 Continuous Fan Only speed approximately 50% of the selected second stage cooling speed - minimum 500cfm.

A96US2V090C12S BLOWER PERFORMANCE (less filter)

0 through 0.8 in. w.c. (Heating) and 0 through 1.0 in. w.c. (Cooling) External Static Pressure Range

HEATING								
¹ Heating Speed Dip Switch Setting	First Stage heating Speed - cfm				Second Stage Heating Speed-cfm			
+24%	1210				1300			
+18%	1150				1240			
+12%	1090				1175			
+6%	1035				1115			
Factory Default	975				1050			
-6%	915				990			
-12%	860				925			
-18%	800				860			
COOLING								
¹ Cooling Speed DIP Switch Settings	First Stage Cooling Speed -cfm				Second Stage Cooling Speed-cfm			
	Low	Medium-Low	Medium-High	² High	Low	Medium-Low	Medium-High	² High
+	605	745	855	965	880	1045	1210	1375
Factory	550	675	775	875	800	950	1100	1250
-	495	610	700	785	720	855	990	1125

¹Cooling and Heating speed are based on a combination of DIP switch setting on the furnace control. Refer to installation instructor for specific DIP Switch settings

²Factory default setting

NOTES: The effect of static pressure is included in air volumes shown.

First stage Cool (two stage air conditioning units only) is approximately 70% of the same second stage COOL speed position
Continuous Fan Only speed approximately 50% of the selected second stage cooling speed - minimum 500cfm.

A96US2V090C16S BLOWER PERFORMANCE (less filter)

0 through 0.8 in. w.c. (Heating) and 0 through 1.0 in. w.c. (Cooling) External Static Pressure Range

HEATING								
¹ Heating Speed Dip Switch Setting	First Stage heating Speed - cfm				Second Stage Heating Speed-cfm			
+24%	1425				1580			
+18%	1355				1505			
+12%	1290				1430			
+6%	1220				1350			
Factory Default	1150				1275			
-6%	1080				1200			
-12%	1010				1120			
-18%	945				1045			
COOLING								
¹ Cooling Speed DIP Switch Settings	First Stage Cooling Speed -cfm				Second Stage Cooling Speed-cfm			
	Low	Medium-Low	Medium-High	² High	Low	Medium-Low	Medium-High	² High
+	770	935	1075	1240	1100	1320	1540	1760
Factory	700	850	975	1125	1000	1200	1400	1600
-	630	765	880	1015	900	1080	1260	1440

¹Cooling and Heating speed are based on a combination of DIP switch setting on the furnace control. Refer to installation instructor for specific DIP Switch settings

²Factory default setting

NOTES: The effect of static pressure is included in air volumes shown.

First stage Cool (two stage air conditioning units only) is approximately 70% of the same second stage COOL speed position
Continuous Fan Only speed approximately 50% of the selected second stage cooling speed - minimum 500cfm.

A96US2V090C20S BLOWER PERFORMANCE (less filter)

0 through 0.8 in. w.c. (Heating) and 0 through 1.0 in. w.c. (Cooling) External Static Pressure Range

HEATING								
¹ Heating Speed Dip Switch Setting	First Stage heating Speed - cfm				Second Stage Heating Speed-cfm			
+24%	1425				1920			
+18%	1355				1830			
+12%	1290				1735			
+6%	1220				1645			
Factory Default	1150				1550			
-6%	1080				1460			
-12%	1010				1365			
-18%	945				1270			
COOLING								
¹ Cooling Speed DIP Switch Settings	First Stage Cooling Speed -cfm				Second Stage Cooling Speed-cfm			
	Low	Medium-Low	Medium-High	² High	Low	Medium-Low	Medium-High	² High
+	935	1073	1240	1405	1320	1540	1760	2010
Factory	850	975	1125	1275	1200	1400	1600	1825
-	765	880	1015	1150	1080	1260	1440	1640

¹Cooling and Heating speed are based on a combination of DIP switch setting on the furnace control. Refer to installation instructor for specific DIP Switch settings

²Factory default setting

NOTES: The effect of static pressure is included in air volumes shown.

First stage Cool (two stage air conditioning units only) is approximately 70% of the same second stage COOL speed position

Continous Fan Only speed approximately 50% of the selected second stage cooling speed - minimum 500cfm.

A96US2V110C16S BLOWER PERFORMANCE (less filter)

0 through 0.8 in. w.c. (Heating) and 0 through 1.0 in. w.c. (Cooling) External Static Pressure Range

HEATING								
¹ Heating Speed Dip Switch Setting	First Stage heating Speed - cfm				Second Stage Heating Speed-cfm			
+24%	1520				1610			
+18%	1445				1535			
+12%	1370				1455			
+6%	1300				1380			
Factory Default	1225				1300			
-6%	1150				1225			
-12%	1080				1145			
-18%	1005				1065			
COOLING								
¹ Cooling Speed DIP Switch Settings	First Stage Cooling Speed -cfm				Second Stage Cooling Speed-cfm			
	Low	Medium-Low	Medium-High	² High	Low	Medium-Low	Medium-High	² High
+	770	935	1075	1235	1100	1320	1540	1760
Factory	700	850	975	1125	1000	1200	1400	1600
-	630	765	880	1015	900	1080	1260	1440

¹Cooling and Heating speed are based on a combination of DIP switch setting on the furnace control. Refer to installation instructor for specific DIP Switch settings

²Factory default setting

NOTES: The effect of static pressure is included in air volumes shown.

First stage Cool (two stage air conditioning units only) is approximately 70% of the same second stage COOL speed position

Continous Fan Only speed approximately 50% of the selected second stage cooling speed - minimum 500cfm.

A96US2V110C20S BLOWER PERFORMANCE (less filter)
 0 through 0.8 in. w.c. (Heating) and 0 through 1.0 in. w.c. (Cooling) External Static Pressure Range

HEATING								
¹ Heating Speed Dip Switch Setting	First Stage heating Speed - cfm				Second Stage Heating Speed-cfm			
+24%	1520				2015			
+18%	1445				1920			
+12%	1370				1820			
+6%	1300				1725			
Factory Default	1225				1625			
-6%	1150				1530			
-12%	1080				1430			
-18%	1005				1335			
COOLING								
¹ Cooling Speed DIP Switch Settings	First Stage Cooling Speed -cfm				Second Stage Cooling Speed-cfm			
	Low	Medium-Low	Medium-High	² High	Low	Medium-Low	Medium-High	² High
+	935	1075	1240	1405	1320	1540	1760	2010
Factory	850	975	1125	1275	1200	1400	1600	1825
-	765	880	1015	1150	1080	1260	1440	1645

¹Cooling and Heating speed are based on a combination of DIP switch setting on the furnace control. Refer to installation instruction for specific DIP Switch settings

²Factory default setting

NOTES: The effect of static pressure is included in air volumes shown.

First stage Cool (two stage air conditioning units only) is approximately 70% of the same second stage COOL speed position
 Continuous Fan Only speed approximately 50% of the selected second stage cooling speed - minimum 500cfm.

A96US2V135D20S BLOWER PERFORMANCE (less filter)
 0 through 0.8 in. w.c. (Heating) and 0 through 1.0 in. w.c. (Cooling) External Static Pressure Range

HEATING								
¹ Heating Speed Dip Switch Setting	First Stage heating Speed - cfm				Second Stage Heating Speed-cfm			
+24%	1705				2080			
+18%	1625				1980			
+12%	1540				1875			
+6%	1460				1775			
Factory Default	1375				1675			
-6%	1295				1575			
-12%	1210				1475			
-18%	1130				1375			
COOLING								
¹ Cooling Speed DIP Switch Settings	First Stage Cooling Speed -cfm				Second Stage Cooling Speed-cfm			
	Low	Medium-Low	Medium-High	² High	Low	Medium-Low	Medium-High	² High
+	935	1075	1240	1405	1320	1540	1760	2010
Factory	850	975	1125	1275	1200	1400	1600	1825
-	765	880	1015	1150	1080	1260	1440	1645

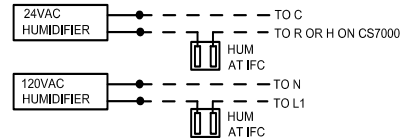
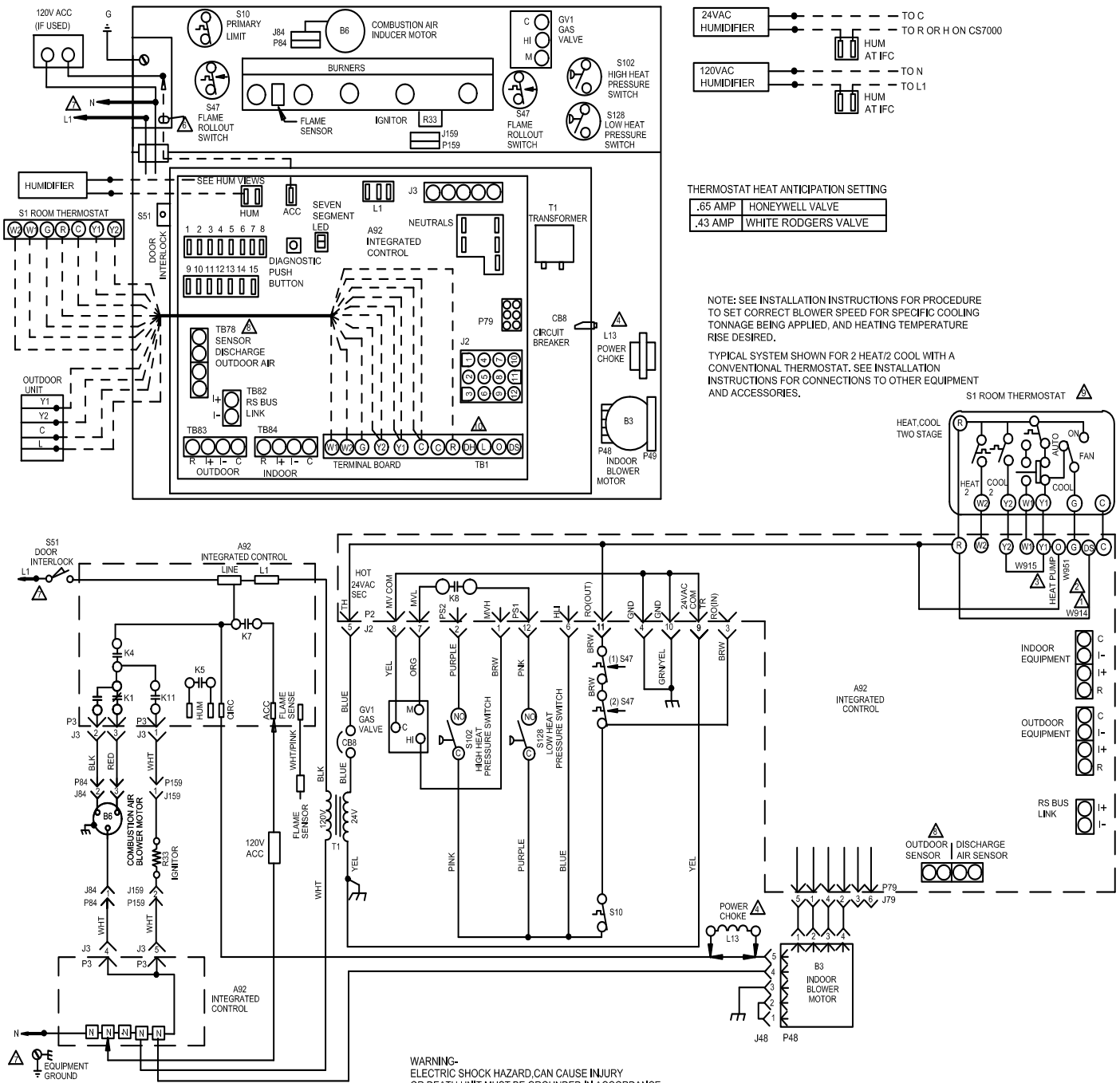
¹Cooling and Heating speed are based on a combination of DIP switch setting on the furnace control. Refer to installation instruction for specific DIP Switch settings

²Factory default setting

NOTES: The effect of static pressure is included in air volumes shown.

First stage Cool (two stage air conditioning units only) is approximately 70% of the same second stage COOL speed position
 Continuous Fan Only speed approximately 50% of the selected second stage cooling speed - minimum 500cfm.

Schematic Wiring Diagram



THERMOSTAT HEAT ANTICIPATION SETTING

.65 AMP	HONEYWELL VALVE
.43 AMP	WHITE RODGERS VALVE

NOTE: SEE INSTALLATION INSTRUCTIONS FOR PROCEDURE TO SET CORRECT BLOWER SPEED FOR SPECIFIC COOLING TONNAGE BEING APPLIED, AND HEATING TEMPERATURE RISE DESIRED.

TYPICAL SYSTEM SHOWN FOR 2 HEAT/2 COOL WITH A CONVENTIONAL THERMOSTAT. SEE INSTALLATION INSTRUCTIONS FOR CONNECTIONS TO OTHER EQUIPMENT AND ACCESSORIES.

WARNING-
ELECTRIC SHOCK HAZARD, CAN CAUSE INJURY OR DEATH. UNIT MUST BE GROUNDED IN ACCORDANCE WITH NATIONAL AND LOCAL CODES.

NOTE-
IF ANY WIRE IN THIS APPLIANCE IS REPLACED, IT MUST BE REPLACED WITH WIRE OF LIKE SIZE, RATING, INSULATION THICKNESS, AND TERMINATION

BLOWER SPEED CHART

FURNACE MODEL	FACTORY SHIPPED SETTINGS		
	HEAT	COOL	ADJUST
A96US2V			
045B12S			
070B12S			
090C12S			
090C16S	FACTORY DEFAULT	HIGH	FACTORY DEFAULT
090C20S			
110C16S			
110C20S			
135D20S			

FURNACE SIZE SELECTION CODE

Character on 7-segment LED (w dot ON)	FURNACE MODEL A96US2V	INDOOR BLWR MOTOR HP SIZE
0	045B12S	1/2
1	070B12S	1/2
2	090C12S	1/2
3	090C16S	3/4
4	090C20S	1
5	110C16S	3/4
6	110C20S	1
7	135D20S	1

- ⚠ L13 USED ON 3/4 AND 1 HP ONLY
- ⚠ DIP SWITCH FACTORY DEFAULT IS FOR A TWO STAGE THERMOSTAT
- ⚠ FIELD SUPPLIED ACC WIRE
- ⚠ USE COPPER CONDUCTORS ONLY
- ⚠ DISCHARGE AND OUTDOOR AIR TERMINALS ARE FOR icomfort USE ONLY
- ⚠ THERMOSTAT CONNECTIONS ARE FOR NON-COMMUNICATING SYSTEM ONLY. REFER TO icomfort INSTALLATION INSTRUCTIONS FOR COMMUNICATING SYSTEMS.
- ⚠ DH AND L TERMINALS ARE ONLY USED WITH icomfort THERMOSTAT
- ⚠ CUT W914 JUMPER LABELED "DEHUM OR HARMONY" FROM DS TO R, AT A92 CONTROL BOARD, WHEN USED WITH Comfortsense 7000 THERMOSTAT
- ⚠ CUT W951 JUMPER FROM O TO R, LABELED "HEAT PUMP", AT A92 CONTROL BOARD, WHEN USED FOR DUAL FUEL APPLICATIONS
- ⚠ JUMPER W915 FROM Y1 TO Y2 IS FACTORY INSTALLED AT A92 CONTROL BOARD, LEAVE IN FOR ONE STAGE COOL THERMOSTAT, CUT JUMPER Y1 TO Y2 FOR TWO STAGE COOL THERMOSTAT.

Figure 57

Integrated Control DIP Switch Settings - Conventional Thermostat (non-communicating)

This furnace is equipped with a two-stage, variable speed integrated control. This control manages ignition timing, heating mode fan off delays and indoor blower speeds based on selections made using the control dip switches and jumpers. The control includes an internal watchdog feature which automatically resets the ignition control when it has been locked out. After one hour of continuous thermostat demand for heat, the watchdog will break and remake thermostat demand to the furnace and automatically reset the control to relight the furnace.

NOTE: All Comfort Sync™ settings are set at the Comfort Sync™ thermostat. See Comfort Sync™ installation instruction. In Comfort Sync™ communication system all DIP switch and clippable link settings are ignored. For conventional thermostats proceed with DIP switch and clippable link settings as outlined in the following.

Heating Operation DIP Switch Settings

Switch 1 - Thermostat Selection — This unit may be used with either a single-stage or two-stage thermostat. The thermostat selection is made using a DIP switch which must be properly positioned for the particular application. The DIP switch is factory-positioned for use with a two-stage thermostat. If a single-stage thermostat is to be used, the DIP switch must be repositioned.

Select “OFF” for two-stage heating operation controlled by a two-stage heating thermostat (factory setting);

Select “ON” for two-stage heating operation controlled by a single-stage heating thermostat. This setting provides a timed delay before second-stage heat is initiated.

Switch 2 — Second Stage Delay

(Used with Single-Stage Thermostat Only) — This switch is used to determine the second stage on delay when a single-stage thermostat is being used. The switch is factory-set in the OFF position, which provides a 7-minute delay before second-stage heat is initiated. If the switch is toggled to the ON position, it will provide a 12-minute delay before second-stage heat is initiated. This switch is only activated when the thermostat selector jumper is positioned for SINGLE- stage thermostat use.

Switches 3 and 4 — Blower-Off Delay — The blower-ON delay of 30 seconds is not adjustable. The blower OFF delay (time that the blower operates after the heating demand has been satisfied) can be adjusted by moving switches 3 and 4 on the integrated control. The unit is shipped from the factory with a blower-OFF delay of 90 seconds. The blower OFF delay affects comfort and is adjustable to satisfy individual applications. Adjust the

blower OFF delay to achieve a supply air temperature between 90° and 110°F at the exact moment that the blower is de-energized. Longer OFF delay settings provide lower supply air temperatures; shorter settings provide higher supply air temperatures. Table 14 provides the blower OFF timings that will result from different switch settings.

Blower OFF Delay Switch Settings

Blower Off Delay (Seconds)	Switch 3	Switch 4
60	On	Off
90 (Factory)	Off	Off
120	Off	On
180	On	On

Table 14

Indoor Blower Operation DIP Switch Settings Switches 5 and 6 — Cooling Mode Blower Speed

The unit is shipped from the factory with the dip switches positioned for high speed (4) indoor blower motor operation during the cooling mode. Table 15 provides the cooling mode blower speeds that will result from different switch settings. Switches 5 and 6 set the blower cfm for second-stage cool. The integrated control automatically ramps down to 70% of the second-stage cfm for first-stage cfm. Refer to tables for corresponding cfm values.

Cooling Mode Blower Speeds

Speed	Switch 5	Switch 6
Low	On	On
Medium Low	Off	On
Medium High	On	Off
High (Factory)	Off	Off

Table 15

Switches 7 and 8 — Cooling Blower Speed Adjustment

The unit is shipped from the factory with the dip switches positioned for NORMAL (no) adjustment. The dip switches may be positioned to adjust the blower speed by +10% or -10% to better suit the application. Table 16 below provides blower speed adjustments that will result from different switch settings. Refer to tables for corresponding cfm values.

Cooling Blower Speed Adjustment

Adjustment	Switch 7	Switch 8
+10% (approx.)	On	Off
Factory Default	Off	Off
-10% (approx.)	Off	On

Table 16

Switches 9 and 10 — Cooling Mode Blower Speed Ramping

Blower speed ramping may be used to enhance dehumidification performance. The switches are factory set at option A which has the greatest effect on dehumidification performance. Table 17 provides the cooling mode blower speed ramping options that will result from different switch settings. The cooling mode blower speed ramping options are detailed on the next page.

NOTE: The off portion of the selected ramp profile also applies during heat pump operation in dual fuel applications.

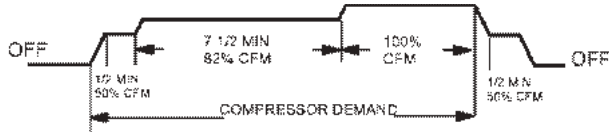
Cooling Mode Blower Speed Ramping

Ramping Option	Switch 9	Switch 10
A (Factory)	Off	Off
B	Off	On
C	On	Off
D	On	On

Table 17

Ramping Option A (Factory Selection)

- Motor runs at 50% for 30 seconds.
- Motor then runs at 82% for approximately 7-1/2 minutes.
- If demand has not been satisfied after 7-1/2 minutes, motor runs at 100% until demand is satisfied.
- Once demand is met, motor runs at 50% for 30 seconds then ramps down to stop.



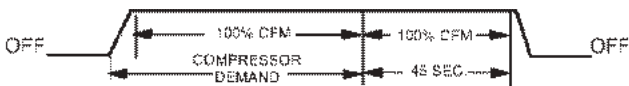
Ramping Option B

- Motor runs at 82% for approximately 7-1/2 minutes. If demand has not been satisfied after 7-1/2 minutes, motor runs at 100% until demand is satisfied.
- Once demand is met, motor ramps down to stop.



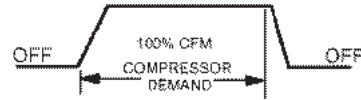
Ramping Option C

- Motor runs at 100% until demand is satisfied.
- Once demand is met, motor runs at 100% for 45 seconds then ramps down to stop.



Ramping Option D

- Motor runs at 100% until demand is satisfied.
- Once demand is met, motor ramps down to stop.



Switches 11, 12 and 13 — Heating Mode Blower Speed

The switches are factory set to the OFF position which provides factory default heat speed. Refer to Table 18 for switches 11, 12 and 13 that provided the corresponding increases or decrease to both high and low heat demand.

Heating Mode Blower Speeds

Heat Speed	Switch 11	Switch 12	Switch 13
Increase 24%	On	On	On
Increase 18%	On	On	Off
Increase 12%	On	Off	On
Increase 6%	On	Off	Off
Factory Default	Off	Off	Off
Decrease 6%	Off	Off	On
Decrease 12%	Off	On	Off
Decrease 18%	Off	On	On

Table 18

On-Board Links

NOTE: *In Comfort Sync™ systems with a conventional outdoor unit (non-communicating), the on-board clippable links must be set to properly configure the system.*



WARNING

Carefully review all configuration information provided. Failure to properly set DIP switches, jumpers and on-board links can result in improper operation!

On-Board Link W914 Dehum or Harmony (R to DS)

On-board link W914, is a clippable connection between terminals R and DS on the integrated control. W914 must be cut when the furnace is installed with a thermostat which features humidity control. If the link is left intact the PMW signal from the control will be blocked and also lead to control damage. Refer to Table 19 for operation sequence in applications including A80DS2V, a thermostat which features humidity control and a single-speed outdoor Unit. Table 20 gives the operation sequence in applications with a two-speed outdoor unit.

On-Board Link W951 Heat Pump (R to O)

On-board link W951 is a clippable connection between terminals R and O on the integrated control. W951 must be cut when the furnace is installed in applications which include a heat pump unit and a thermostat which features dual fuel use. If the link is left intact, terminal "O" will remain energized eliminating the HEAT MODE in the heat pump.

On-Board Link W915 2 Stage Compr (Y1 to Y2)

On-board link W915 is a clippable connection between terminals Y1 and Y2 on the integrated control. W915 must be cut if two-stage cooling will be used. If the Y1 to Y2 link is not cut, the outdoor unit will operate in second-stage cooling only.

Diagnostic LED (Figure 26)

The seven-segment diagnostic LED displays operating status, target airflow, error codes and other information. A full listing of LED codes is provided in the Diagnostic Codes Section.

Diagnostic Push Button (Figure 26)

The diagnostic push button is located adjacent to the seven-segment diagnostic LED. This button is used to enable the Error Code Recall "E" mode and the Flame Signal "F" mode. Press the button and hold it to cycle through a menu of options. Every five seconds a new menu item will be displayed. When the button is released, the displayed item will be selected. Once all items in the menu have been displayed, the menu resumes from the beginning until the button is released.

Error Code Recall Mode

Select "E" from the menu to access the most recent 10 error codes. Select "c" from the Error Code Recall menu to clear all error codes. Button must be pressed a second time while "c" is flashing to confirm command to delete codes. Press the button until a solid "≡" is displayed to exit the Error Code Recall mode.

Flame Signal Mode

Select "F" from the menu to access the flame signal mode. The integrated control will display the flame current on 7 segment LED in micro amps (uA).

Flame signal mode is exited after the following:

- Power is reset
- Pressing and holding push button until 3 horizontal lines "≡" are displayed
- 10 minutes of entering the flame sense mode.

OPERATING SEQUENCE
Non-Communicating Thermostat with Humidity Control Feature and Single-Speed Outdoor Unit

OPERATING SEQUENCE		SYSTEM DEMAND						SYSTEM RESPONSE			
System Condition	Step	Thermostat Demand				Relative Humidity		Compressor	Blower CFM (COOL)	Comments	
		Y1	O	G	W	Status	D				
<i>NO CALL FOR DEHUMIDIFICATION</i>											
Normal Operation	1	On	On	On		Acceptable	24 VAC	High	100%	Compressor and indoor blower follow thermostat demand	
<i>BASIC MODE (only active on a Y1 thermostat demand)</i>											
Normal Operation	1	On	On	On		Acceptable	24 VAC	High	100%	Reverse logic dehumidification thermostat energizes Y1 and de-energizes D on a call for de-humidification	
Dehumidification Call	2	On	On	On		Demand	0 VAC	High	70% *		
<i>PRECISION MODE (operates independent of a Y1 thermostat demand)</i>											
Normal Operation	1	On	On	On		Acceptable	24 VAC	High	100%	Dehumidification mode begins when humidity is greater than set point	
Dehumidification call	2	On	On	On		Demand	0 VAC	High	70% *		
Dehumidification call ONLY	1	On	On	On		Demand	0 VAC	High	70% *	Reverse logic dehumidification thermostat will try to maintain room humidity setpoint by allowing the room space to maintain a cooler room thermostat setpoint**	
Jumpers at indoor unit with a single stage outdoor unit With Condensing unit - Cut W914 (R to DS) on furnace control With Heat Pump - Cut W914 (R to DS) & W951 (R to O) on furnace control											

* Dehumidification blower speed is 70% of COOL speed for all units.

** In Precision mode, thermostat will maintain room temperature up to 2°F (1.2°C) cooler than room setting.

Table 19

OPERATING SEQUENCE
Non-Communicating Thermostat with Humidity Control Feature and Two-Speed Outdoor Unit

OPERATING SEQUENCE		SYSTEM DEMAND								SYSTEM RESPONSE		
System Condition	Step	Thermostat Demand						Relative Humidity		Compressor	Blower CFM (COOL)	Comments
		Y1	Y2	O	G	W 1	W 2	Status	D			
NO CALL FOR DEHUMIDIFICATION												
Normal Operation Y1	1	On		On	On			Acceptable	24 VAC	Low	70% *	Compressor and indoor blower follow thermostat demand
Normal Operation Y2	2	On	On	On	On			Acceptable	24 VAC	High	100%	
ROOM THERMOSTAT CALLS FOR FIRST STAGE COOLING												
<i>BASIC MODE (only active on a Y1 thermostat demand)</i>												
Normal Operation	1	On		On	On			Acceptable	24 VAC	Low	70% *	Reverse logic dehumidification thermostat energizes Y2 and de-energizes D on a call for de-humidification
Dehumidification Call	2	On	On	On	On			Demand	0 VAC	High	70% **	
<i>PRECISION MODE (operates independent of a Y1 thermostat demand)</i>												
Normal Operation	1	On		On	On			Acceptable	24 VAC	Low	70% *	Dehumidification mode begins when humidity is greater than set point
Dehumidification call	2	On	On	On	On			Demand	0 VAC	High	70% **	
Dehumidification call ONLY	1	On	On	On	On			Demand	0 VAC	High	70% **	Reverse logic dehumidification thermostat will try to maintain room humidity setpoint by allowing the room space to maintain a cooler room thermostat setpoint***
ROOM THERMOSTAT CALLS FOR FIRST AND SECOND STAGE COOLING												
<i>BASIC MODE (only active on a Y1 thermostat demand)</i>												
Normal Operation	1	On	On	On	On			Acceptable	24 VAC	High	100%	Reverse logic dehumidification thermostat energizes Y2 and de-energizes D on a call for de-humidification
Dehumidification Call	2	On	On	On	On			Demand	0 VAC	High	70% **	
<i>PRECISION MODE (operates independent of a Y1 thermostat demand)</i>												
Normal Operation	1	On		On	On			Acceptable	24 VAC	Low	70% *	Dehumidification mode begins when humidity is greater than set point
Dehumidification call	2	On	On	On	On			Demand	0 VAC	High	70% **	
Dehumidification call ONLY	1	On	On	On	On			Demand	0 VAC	High	70% **	Reverse logic dehumidification thermostat will try to maintain room humidity setpoint by allowing the room space to maintain a cooler room thermostat setpoint***
	Jumpers at indoor unit with a two stage outdoor unit Cut factory jumper from Y1 to Y2 or cut W915 (Y1 to Y2) With Condensing unit - Cut W914 (R to DS) on furnace control With Heat Pump - Cut W914 (R to DS) & W951 (R to 0) on furnace control											

*Normal operation first stage cooling blower speed is 70% COOL speed.

**Dehumidification blower speed is reduced to 70% of COOL.

*** In Precision Mode, thermostat will maintain room temperature up to 2°F (1.2°C) cooler than the set point.

Table 20

Unit Start-Up

FOR YOUR SAFETY READ BEFORE OPERATING

WARNING

Do not use this furnace if any part has been underwater. A flood-damaged furnace is extremely dangerous. Attempts to use the furnace can result in fire or explosion. Immediately call a qualified service technician to inspect the furnace and to replace all gas controls, control system parts, and electrical parts that have been wet or to replace the furnace, if deemed necessary.

WARNING



Danger of explosion. Can cause injury or product or property damage. Should the gas supply fail to shut off or if overheating occurs, shut off the gas valve to the furnace before shutting off the electrical blower deck, before performing any service procedure.

CAUTION

Before attempting to perform any service or maintenance, turn the electrical power to unit OFF at disconnect switch.

BEFORE LIGHTING the unit, smell all around the furnace area for gas. Be sure to smell next to the floor because some gas is heavier than air and will settle on the floor.

The gas valve on the unit is equipped with a gas control switch (lever). Use only your hand to move switch. Never use tools. If the switch will not move by hand, do not try to repair it. Force or attempted repair may result in a fire or explosion.

Placing the furnace into operation:

This furnace is equipped with an automatic hot surface ignition system. Do not attempt to manually light burners on this furnace. Each time the thermostat calls for heat, the burners will automatically light. The ignitor does not get hot when there is no call for heat on these units.

Gas Valve Operation

1. **STOP!** Read the safety information at the beginning of this section.
2. Set the thermostat to the lowest setting.
3. Turn **OFF** all electrical power to the unit.
4. This furnace is equipped with an ignition device which automatically lights the burners. Do **not** try to light the burners by hand.
5. Remove the upper access panel.
6. Move gas valve switch to **OFF**. See Figure 66.
7. Wait five minutes to clear out any gas. If you then smell gas, **STOP!** Immediately call your gas supplier from a neighbor's phone. Follow the gas supplier's instructions. If you do not smell gas go to next step.
8. Move gas valve switch to **ON**. See Figure 66.
9. Replace the upper access panel.
10. Turn on all electrical power to the unit.
11. Set the thermostat to desired setting.

NOTE: When unit is initially started, steps 1 through 11 may need to be repeated to purge air from gas line.

12. If the appliance will not operate, follow the instructions "Turning Off Gas to Unit" and call your service technician or gas supplier.

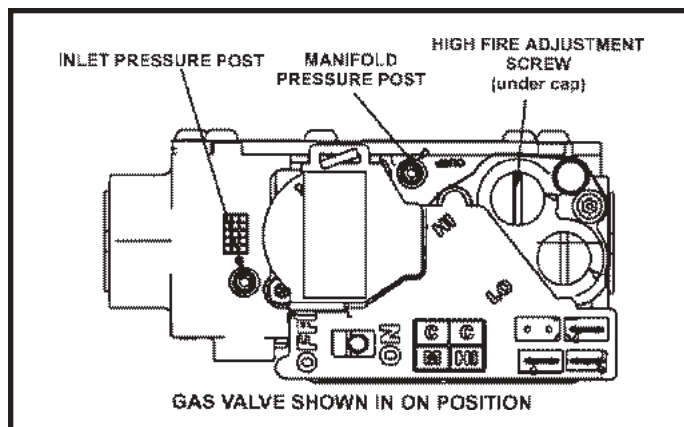


Figure 66

Turning Off Gas to Unit

1. Set the thermostat to the lowest setting.
2. Turn off all electrical power to the unit if service is to be performed.
3. Remove the upper access panel.
4. Move gas valve switch to **OFF**.
5. Replace the upper access panel.

Failure To Operate

If the unit fails to operate, check the following:

1. Is the thermostat calling for heat?
2. Are access panels securely in place?
3. Is the main disconnect switch closed?
4. Is there a blown fuse or tripped breaker?
5. Is the filter dirty or plugged? Dirty or plugged filters will cause the limit control to shut the unit off.
6. Is gas turned on at the meter?
7. Is the manual main shut-off valve open?
8. Is the internal manual shut-off valve open?
9. Is the unit ignition system in lockout? If the unit locks out again, inspect the unit for blockages.

Heating Sequence Of Operation

1. When thermostat calls for heat, combustion air inducer starts.
2. Combustion air pressure switch proves blower operation. Switch is factory set and requires no adjustment.
3. After a 15 second prepurge, the hot surface ignitor energizes.
4. After a 20 second ignitor warm-up period, the gas valve solenoid opens.
5. Gas is ignited, flame sensor proves the flame, and the combustion process continues.
6. If flame is not detected after first ignition trial, the ignition control will repeat steps 3 and 4 four more times before locking out the gas valve. The ignition control will then automatically repeat steps 1 through 6 after 60 minutes. To interrupt the 60 minute period, move thermostat from "Heat" to "OFF" then back to "Heat". Heating sequence then restarts at step 1.

Gas Pressure Adjustment

Gas Flow (Approximate)

GAS METER CLOCKING CHART				
Model	Seconds for One Revolution			
	Natural		LP	
	1 cu ft Dial	2 cu ft Dial	1 cu ft Dial	2 cu ft DIAL
-045	80	160	200	400
-070	55	110	136	272
-090	41	82	102	204
-110	33	66	82	164
-135	27	54	68	136
Natural-1000 btu/cu ft		LP-2500 btu/cu ft		

Table 13

Furnace should operate at least 5 minutes before checking gas flow. Determine time in seconds for **two** revolutions of gas through the meter. (Two revolutions assures a more accurate time.) **Divide by two** and compare to time in Table 13. If manifold pressure matches Table 15 and rate is incorrect, check gas orifices for proper size and restriction. Remove temporary gas meter if installed.

NOTE: To obtain accurate reading, shut off all other gas appliances connected to meter.

Supply Pressure Measurement

An inlet pressure post on the inlet side of the gas valve provides access to the supply pressure. See Figure 66. Back out the 3/32 Hex screw one turn, connect a piece of 5/16" tubing and connect to a manometer to measure supply pressure.

NOTE: Shut unit off and remove manometer as soon as an accurate reading has been obtained. Take care to re-tighten the 3/32 Hex screw.

For proper furnace operation the minimum gas supply pressure is 4.5" w.c and the maximum gas supply pressure is 10.5" w.c for natural gas. The minimum gas supply pressure is 10" w.c. and the maximum gas supply pressure is 13" w.c. for LP/propane gas.

Manifold Pressure Measurement

1. A manifold pressure post located on the gas valve provides access to the manifold pressure. See Figure 66. Back out the 3/32 Hex screw one turn, connect a piece of 5/16" tubing and connect to a manometer to measure supply pressure.
2. Start unit and allow 5 minutes for unit to reach steady state.
3. While waiting for the unit to stabilize, observe the flame. Flame should be stable and should not lift from burner. Natural gas should burn blue.
4. After allowing unit to stabilize for 5 minutes, record manifold pressure and compare to value given in Table 14.

NOTE: Shut unit off and remove manometer as soon as an accurate reading has been obtained. Take care to re-tighten the 3/32 Hex screw.

Proper Combustion

Furnace should operate minimum 15 minutes with correct manifold pressure and gas flow rate before checking combustion. Take combustion sample beyond the flue outlet and compare to the tables below. **The maximum carbon monoxide reading should not exceed 50 ppm.**

Conversion kit fan Pressure Switch Requirements at Varing Altitudes

A95US2V	Natural to LP/Propane	High Altitude Natural Burner Orifice Kit	High Altitude LP/Propane Burner Orifice Kit	High Altitude Pressure switch	
	0 - 7500 ft (0 - 2286m)	7501 - 10000 ft (2286 - 3048m)	7501 - 10000 ft (2286 - 3048m)	4501 - 7500 ft (1371 - 2286m)	7501 - 10000 ft (2286 - 3048m)
045	*78W94	*51W01	*78W97	93W81	93W84
070				11X65	98W79
090				11X72	11X65
110				93W80	93W85
135				93W83	93W85

*Conversion Requires installation of a gas valve manifold spring which is provided with the gas conversion kit. Pressure switch is factory set. No adjustment necessary. All models use the factory-installed pressure switch from 0-4500 feet (0-1370 m).

Table 14

Manifold and Supply Line Pressures Altitudes

A95DF2E 95G2DFE	Gas	Manifold Pressure in w.g.										Supply Line Pressure in w.g. 0 - 10000 ft.	
		0 - 4500 ft.		4501 - 5500 ft.		5501 - 6500ft.		6501 - 7500ft.		7501-10000ft.		Min.	Max.
		Low Fire	High Fire	Low Fire	High Fire	Low Fire	High Fire	Low Fire	High Fire	Low Fire	High Fire		
All Models	Natural	1.7	3.5	1.6	3.3	1.5	3.2	1.5	3.1	1.7	3.5	4.5	13.0
	Lp/Propane	4.9	10.0	4.6	9.4	4.4	9.1	4.3	8.9	4.9	10.0	11.0	13.0

Table 15

High Altitude Information

NOTE: In Canada, certification for installations at elevations over 4500 feet (1372 m) is the jurisdiction of local authorities.

Units may be installed at altitudes up to 10,000 ft. above sea level without manifold adjustment. Units installed at altitude of 4501 - 10,000 feet (1373 to 3048 m) may require a pressure switch change which can be ordered separately. Table 14 lists conversion kit and pressure switch requirements at varying altitudes.

The combustion air pressure switch is factory-set and requires no adjustment.

Other Unit Adjustments

Primary Limit

The primary limit is located on the heating compartment vestibule panel. This limit is factory set and requires no adjustment.

Flame Rollout Switches (Two)

These manually reset switches are located on the front of the burner box.

Pressure Switch

The pressure switch is located in the heating compartment on the cold end header box. This switch checks for proper combustion air inducer operation before allowing ignition trial. The switch is factory set and must not be adjusted.

Temperature Rise

After the furnace has been started and supply and return air temperatures have been allowed to stabilize, check the temperature rise. If necessary, adjust the blower speed to maintain the temperature rise within the range shown on the unit nameplate. Increase the blower speed to decrease the temperature. Decrease the blower speed to increase the temperature rise. Failure to adjust the temperature rise may cause erratic limit operation.

Fan Control

The fan ON time of 30 seconds is not adjustable. The fan OFF delay (amount of time that the blower operates after the heat demand has been satisfied) is 120 seconds and is not adjustable.

Thermostat Heat Anticipation

Set the heat anticipator setting (if adjustable) according to the amp draw listed on the wiring diagram that is attached to the unit.

Electrical

1. Check all wiring for loose connections.
2. Check for the correct voltage at the furnace (furnace operating).
3. Check amp-draw on the blower motor.
Motor Nameplate _____ Actual _____

Electronic Ignition

The integrated control has an added feature of an internal Watchguard control. The feature serves as an automatic reset device for integrated control lockout caused by ignition failure. This type of lockout is usually due to low gas line pressure. After one hour of continuous thermostat demand for heat, the Watchguard will break and remake thermostat demand to the furnace and automatically reset the integrated control to begin the ignition sequence.

Exhaust and Air Intake Pipe

1. Check exhaust and air intake connections for tightness and to make sure there is no blockage.
2. Is pressure switch closed? Obstructed exhaust pipe will cause unit to shut off at pressure switch. Check termination for blockages.
3. Obstructed pipe or termination may cause rollout switches to open. Reset manual flame rollout switches on burner box assembly if necessary.

Applications Using a Two-Stage Thermostat
A-Heating Sequence - Control Thermostat Selection
DIP switch in "Two Stage" Position (Factory Setting)

1. On a call for heat, thermostat first stage contacts close sending a signal to the integrated control. The integrated control runs a self diagnostic program and checks high temperature limit switches for normally closed contacts and pressure switches for normally open contacts. The combustion air inducer is energized at ignition speed, Which is approximately the same as the inducer speed at 70 percent firing rate.
2. Once the control receives a signal that the low fire pressure switch has closed, the combustion air inducer begins a 15 second prepurge in the ignition speed.
3. After the prepurge is complete, a 20 second initial ignitor warm up period begins. The combustion air inducer continues to operate at the ignition speed.
4. After the 20 second warm up period has ended, the gas valve is energized and ignition occurs. At the same time, the control module sends a signal to begin an indoor blower 30 second ON delay. When the delay ends, the indoor blower motor is energized at a speed that matches the firing rate. After the 10 second ignition stabilization delay expires, the inducer speed is adjusted to the appropriate target rate. The inducer will remain at the 70 percent speed as long as the thermostat has a first stage heating demand.
5. If second stage heat is required, the thermostat second stage heat contacts close and send a signal to the integrated control. The integrated control initiates a 30 second second stage recognition delay.
6. At the end of the recognition delay and on all subsequent calls for heat in the same heating cycle, the integrated control energizes the combustion air inducer at high speed. The control also checks the high fire pressure switch to make sure it is closed. As the inducer speed is increased to high, the indoor blower motor is adjusted to a speed which is appropriate for the target rate.
7. When the demand for high fire (second stage) heat is satisfied, the gas valve is de-energized and the field selected indoor blower off delay begins. The combustion air inducer begins a 20 second post purge period.
8. When the thermostat demand for low-fire (first stage) heat is satisfied, the gas valve is de-energized and the field-selected indoor blower OFF delay begins. The combustion air inducer begins a 5 second port-purge period.
9. When the combustion air post purge period is complete, the inducer, the HUM contacts as well as the 120V ACC terminals are de-energized. The indoor blower is de-energized at the end of the OFF delay.

Application Using a Single Stage Thermostat

B - Heating Sequence - Integrated Control Thermostat Selection DIP switch 1 ON in "Single-Stage" Position

NOTE: In these applications, two-stage heat will be initiated by the integrated control if heating demand has not been satisfied after the field adjustable period (7 or 12 minutes).

1. On a call for heat, thermostat first stage contacts close sending a signal to the integrated control. The integrated control runs a self diagnostic program and checks high temperature limit switches for normally closed contacts and pressure switches for normally open contacts. The combustion air inducer is energized at low speed.

2. Once the control receives a signal that the low pressure switch has closed, the combustion air inducer begins a 15 second prepurge in low speed.

NOTE: If the low fire pressure switch does not close the combustion air inducer will switch to high fire. After a 15 second pre-purge the high fire pressure switch will close and the unit will begin operation on high fire. After 10 to 20 seconds of high fire operation the unit will switch to low fire.

3. After the prepurge is complete, a 20 second initial ignitor warm-up period begins. The combustion air inducer continues to operate at the ignition speed.

4. After the 20-second warm-up period has ended, the gas valve is energized on low fire (first stage) and ignition occurs. At the same time, the control module sends a signal to begin an indoor blower 30-second ON-delay. When the delay ends, the indoor blower motor is energized on the low fire heating speed and the HUM contacts are energized. The integrated control also initiates a second-stage on delay (factory-set at 7 minutes; adjustable to 12 minutes).

5. If the heating demand continues beyond the second-stage on delay, the integrated control energizes the combustion air inducer at high speed. The control also checks the high fire (second stage) pressure switch to make sure it is closed. the high fire (second-stage) gas valve is energized and the indoor blower motor is energized for operation at the high fire heating speed.

6. When the thermostat heating demand is satisfied, the combustion air inducer begins a 5-second low speed post-purge. The field-selected indoor blower off delay begins. The indoor blower operates at the low-fire heating speed.

7. When the combustion air post-purge period is complete, the inducer, the HUM contacts as well as the 120V ACC terminals are de-energized. The indoor blower is de-energized at the end of the off delay.

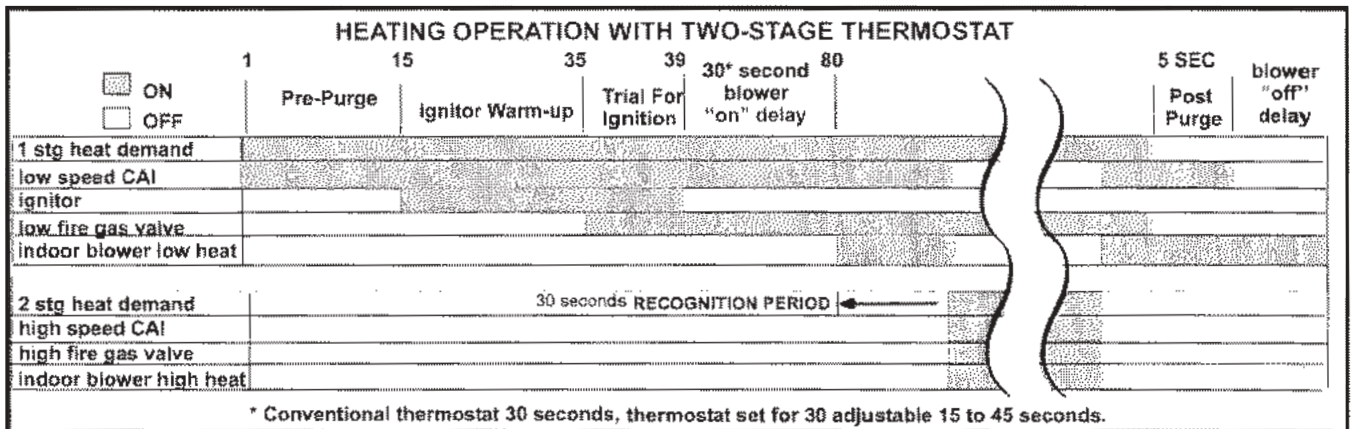


Figure 29

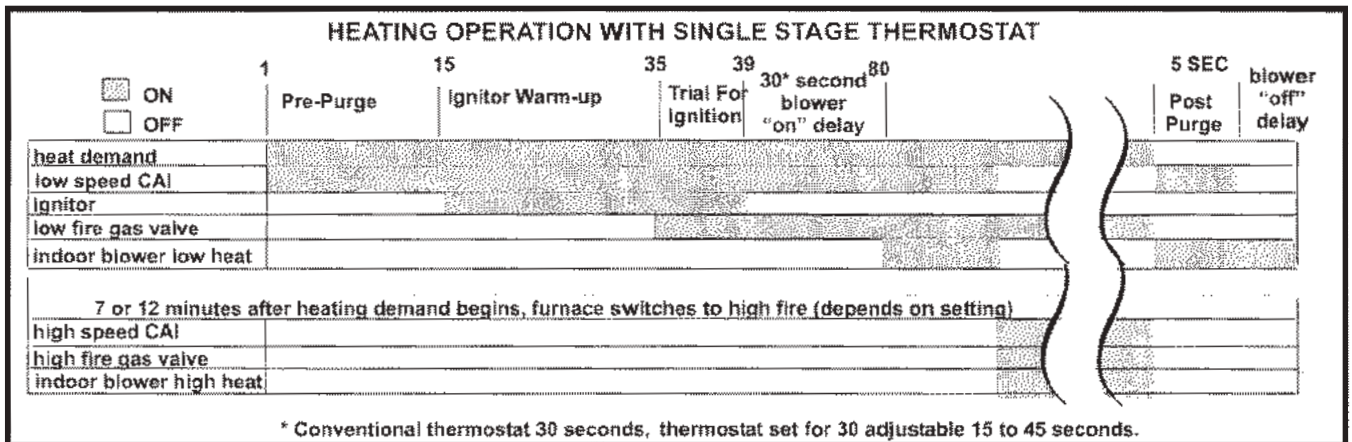


Figure 30

Integrated Control Diagnostic Modes (Continued)

Code	Diagnostic Codes/Status of Equipment	Action Required to Clear and Recover
E105	Device communication problem - No other devices on RS BUS (Communicating systems only)	Equipment is unable to communicate indicates numerous message errors. In most cases errors are related to electrical noise. Make sure high voltage power is separated from RSBus. Check for mis-wired and /or loose connections between the stat, indoor unit and outdoor unit. Check for a high voltage source of noise close to the system. Fault clears after communication is restored.
E110	Low line voltage	Line Voltage low (Voltage lower than nameplate rating). Check power line voltage and correct. Alarm clears 5 seconds after fault recovered.
E111	Line voltage polarity reversed	Reverse line power voltage wiring. System resumes normal operation 5 seconds after fault recovered.
E112	Ground not detected	System shuts down. Provide proper earth ground. System resumes normal operation 5 seconds after fault recovered.
E113	High line voltage	Line Voltage high (Voltage higher than nameplate rating). Provide power voltage within proper range. System resumes normal operation 5 seconds after fault recovered.
E114	Line voltage frequency out-of-range.	No 60 Hertz power. Check voltage and line power frequency. Correct voltage and frequency problems. System resumes normal operation 5 seconds after fault recovered.
E115	Low 24V	24 Volt Power high (Range is 18 to 30 Volts). Check and correct voltage. Check for additional power robbing equipment connected to system. May require installation of larger VA transformer to be installed in furnace/air handler. Clears after fault recovered.
E116	High 24V	24 Volt Power high (Range is 18 to 30 Volts) Check and correct voltage. Check for proper line voltage (120V 240V etc) to equipment. Clears when control senses proper voltage.
E117	Poor ground detected (Warning only)	Provide proper grounding for unit. Check for proper earth ground to the system. Warning only will clear 30 seconds after fault recovered
E120	Unresponsive device (Communicating systems only)	Usually caused by delay in outdoor unit responding to indoor unit polling. Recycle power. Check all wiring connections. Cleared after unresponsive device responds to any inquiry
E124	Active communicating thermostat signal missing for more than 3 minutes (Communicating systems only).	Equipment lost communication with the thermostat. Check for wiring connections, ohm wires, and cycle power at the thermostat. Alert stops all services and waits for heartbeat message from thermostat (subnet controller). Cleared after valid thermostat (subnet) message is received.
E125	Control failed self-check, internal error, failed hardware. Will restart if error recovers, Integrated control not communicating Covers hardware errors (flame sense circuit faults, pin shorts, etc)	Hardware problem on the control. Cycle power on control. Replace if problem prevents service and is persistent. Cleared 300 seconds after fault recovered.
E126	Control internal communication problem	Hardware problem on the control. Cycle power on control. Replace if problem prevents service and is persistent. Cleared 300 seconds after fault recovered.
E131	Corrupted control parameters (Verify configuration of system) (Communicating systems only).	Reconfigure the system. Replace control if heating or cooling is not available. Only applicable in the communicating mode not in startup. Exit from Commissioning and Execute Se+ factory Default mode. Control will still operate on default parameter settings.

Integrated Control Diagnostic Modes (Continued)

Code	Diagnostic Codes/Status of Equipment	Action Required to Clear and Recover
E180	Outdoor air temperature sensor failure. Only shown if shorted or out of range (Communicating systems only)	Compare outdoor sensor resistance to temperature resistance charts in unit installation instructions. Replace sensor pack if necessary. At beginning of (any) configuration, furnace or air handler control will sense outdoor air and discharge air temperature sensor(s) If detected (reading in range), appropriate feature will be set as installed and that could be seen in 'About ' screen. In normal operation after control recognizes sensors, alarm will be sent if valid temperature reading is lost. To get rid of setting and alarm, redo configuration and make sure that temperature sensor is marked as not installed in indoor Unit 'About' screen. When indoor unit control is replaced thermostat will 'tell' new control if temperature sensor is in system or not. Clears 30 seconds after fault recovered.
E200	Hard Lock out - Rollout circuit open or previously open	Correct cause of rollout trip or replace flame rollout switch. Test furnace operation. Cleared after fault recovered.
E201	Indoor blower/communication failure - Unable to communicate with blower motor	Indoor blower communication failure including power outage. Lost communication with indoor blower motor. Possible causes: motor not powered, loose wiring. Problem may be on control or motor side. Cleared after fault recovered.
E202	Indoor blower motor mis-match - indoor motor horsepower does not match unit capacity	Incorrect appliance capacity code selected. Check for proper configuring under Unit Size Code for Furnace/Air Handler on configuration guide or in installation instructions. Cleared after the correct match is detected following a reset. (Remove thermostat from system while applying power and reprogramming)
E203	Appliance capacity size is NOT programmed. Invalid unit codes. Refer to configuration flow chart.	No appliance capacity code selected. Check for proper configuring under Unit Size Codes for Furnace on configuration guide or in installation instruction. Critical Alert Cleared after valid unit code is read following a reset (remove thermostat from system while applying power and reprogramming)
E204	Gas valve mis-wired	Check gas valve operation and wiring. Clears when repaired
E205	Gas valve control relay contact shorted	Check wiring on control and gas valve. If wiring is correct replace control.
E206	Gas valve second-stage relay failure	Furnace will operate on 1st stage for remainder of the heating demand. Will clear after fault recovered. If unable to operate 2nd stage replace control.
E207	Hot surface igniter sensed open - Refer to troubleshooting	Measure resistance of hot surface igniter. Replace if open or not within specified range found in 10M. Resumes normal operation after fault is cleared.
E223	Low pressure switch failed open	Check pressure(inches W.C) of low pressure switch closing on heat call. Measure operating pressure (inches w.c.). Inspect vent and combustion air inducer for correct operation and restriction. Resumes normal operation after fault is cleared.
E224	Low pressure switch failed closed -Refer to troubleshooting	Check pressure(inches W.C) of low pressure switch closing on heat call. Measure operating pressure (inches w.c.). Inspect vent and combustion air inducer for correct operation and restriction. Resumes normal operation after fault is cleared.
E225	High pressure switch failed open -Refer to troubleshooting	Check pressure(inches W.C) of high pressure switch closing on heat call. Measure operating pressure (inches w.c. Inspect vent and combustion air inducer for correct operation and restriction Resumes normal operation after fault is cleared.
E226	High pressure switch failed closed -Refer to troubleshooting	Check operation of high pressure closing on heat call. Measure operating pressure (inches w.c.). Inspect vent and combustion air inducer for correct operation and restrictio. Resumes normal operation after fault is cleared.

Integrated Control Diagnostic Modes (Continued)

Code	Diagnostic Codes/Status of Equipment	Action Required to Clear and Recover
E227	Low pressure switch open during trial for ignition or run mode. Refer to troubleshooting	Check operation of low pressure switch closing on heat call. Measure operating pressure (inches w.c.). Inspect vent and combustion air inducer for correct operation and restriction. Resumes normal operation after fault is cleared.
E228	Combustion air inducer calibration failure	Unable to perform pressure switch calibration. Check vent system and pressure switch wiring connections. Resumes normal operation after fault is cleared
E229	Ignition on high fire	IFC switched to high fire ignition because low fire pressure switch did not close in allowed time. No action is needed.
E240	Low flame current - Run mode- Refer to troubleshooting	Check micro-amperes of flame sensor using control diagnostics or field installed mode. Clean or replace sensor. Measure voltage of neutral to ground to ensure good unit ground. Alert clears after current heat all has been completed.
E241	Flame sensed out of sequence-Flame still present.	Shut off gas. Check for gas valve leak. Replace if necessary. Alert clears when fault is recovered.
E250	Limit switch circuit open - Refer to troubleshooting.	Check for proper firing rate on furnace. Ensure there is no blockage in heater. Check for proper air flow. If limit not closed within 3 minutes unit will go into 1 hour soft lockout. Resumes normal operation after fault is cleared.
E252	Discharge air temperature too high (gas heat only).	Check temperature rise airflow and input rate. Clear when heat call is finished.
E270	Soft lockout - Exceeded maximum number of retries. No flame current sensed.	Check for proper gas flow. Ensure that igniter is lighting burners. Check flame sensor current. Clears when heat call finishes successfully.
E271	Soft lockout - Exceeded maximum number of retries. Last retry failed due to the pressure switch opening.	Check pressure (inches w.c.) of low pressure switch closing on heat call. Measure operating pressure (inches w.c.). Inspect vent and combustion air inducer for correct operation and restriction. Clears when heat call finishes successfully.
E272	Soft lockout - Exceeded maximum number of recycles. Last recycle due to the pressure switch opening	Check operation of low pressure to see if it is stuck closed on heat call. Check pressure (inches w.c.) of high pressure switch closing on heat call. Measure operating pressure. Inspect vent and combustion air inducer for correct operation and restriction. Clears when heat call finishes successfully.
E273	Soft lockout - Exceeded maximum number of recycles. Last recycle due to flame failure	Check micro-amperes of flame sensor using control diagnostics or field installed mode. Clean or replace sensor. Measure voltage of neutral to ground to ensure good unit ground. Alert clears after current heat call has been completed.
E274	Soft lockout - Exceeded maximum number of recycles. Last recycle failed due to the limit circuit opening or limit remained open longer than 3 minutes.	Shut down system 1-hour soft lockout. Check firing rate and air flow. Check for blockage. Clears when heat call finishes successfully.
E275	Soft lockout - Flame sensed out of sequence. Flame signal is gone.	Shut off gas. Check for gas valve leak. 1-hour soft lockout. Clears when flame has been proven stable.
E276	Watchguard calibration failure.	Unable to perform pressure switch calibration. Check vent system and pressure switch wiring connections. 1-hour soft lockout. Clears when calibration has finished successfully.
E290	Ignitor circuit fault - Failed ignitor or triggering circuitry.	Measure resistance of hot surface igniter. Replace if open or not within specifications. 1-hour soft lockout. Clears when flame has been proven stable.

Integrated Control Diagnostic Modes (Continued)

Code	Diagnostic Codes/Status of Equipment	Action Required to Clear and Recover
E291	Heat airflow restricted below the minimum.	Check for dirty filter and airflow restriction. Check blower performance. 1-hour soft lockout. Cleared when heat call finishes successfully.
E292	Indoor blower motor unable to start due to obstructed wheel seized bearings.	Indoor blower motor unable to start (seized bearing, stuck wheel, etc.) Replace motor or wheel if assembly does not operate or meet performance standards. 1-hour soft lockout. Clears after circulator successfully starts.
E294	Combustion air inducer over current.	Check combustion blower bearings wiring and amps. Replace if does not operate or does not meet performance standards. Clears after inducer current is sensed to be in-range after the ignition following the soft lockout or reset.
E295	Indoor blower motor temperature is too high.	Indoor blower motor over temperature (motor tripped on internal protector). Check motor bearings and amps. Replace if necessary. Cleared after blower demand is satisfied.
E310	Discharge error temperature sensor failure. Only shown if shorted or out of range.	Compare discharge sensor resistance to temperature resistance charts in installation instructions.. Replace sensor if necessary. Cleared in Communicating mode 30 seconds after fault recovered. In Non-Communicating mode cleared after the current heat call is completed.
E311	Heat rate reduced to match indoor blower airflow.	Warning Only. Furnace blower in cutback mode due to restricted airflow. Reduce firing rate every 60 seconds to match available CFM. Check filter and duct system. To clear replace filter if needed or repair/add duct. 2-stage controls will reduce firing rate to 1-stage. Clears when heat call finished successfully.
E312	Restricted airflow in cooling or continuous fan mode is lower than CFM setting.	Warning Only. Restricted airflow - Indoor blower is running at a reduced CFM (Cutback Mode - The variable speed motor has pre-set speed and torque limiters to protect the motor from damage caused by operating outside of design parameters (0 to 0.8" W.C. total external static pressure). Check filter and duct system. To clear, replace filter if needed or repair/add duct. Cleared after the current service demand is satisfied.
E313	Indoor or outdoor unit capacity mismatch. Communication only.	Incorrect indoor/outdoor capacity code selected. Check for proper configuring in installation instructions. Alarm is just a warning. The system will operate, but might not meet efficiency and capacity parameters. Alarm will clear when commissioning is complete.
E331	Global network connection - Communications link problem.	For Future Use.
E334	Relay "Y1" stuck on integrated control.	Replace integrated control.
E347	No 24 Volt output on Y1 of "integrated control" with non-communicating outdoor unit.	Operation stopped. Y1 relay/Stage 1 failed. (Pilot relay contacts did not close or the relay coil did not energize; no input back to IFC chip.) Critical Alert. Cleared after reset and Y1 input sensed.
E348	No 24 Volt output on Y2 of "integrated control" with non-communicating outdoor unit.	Y2 relay/Stage 2 failed. (Pilot relay contacts did not close or the relay coil did not energize; no input back to IFC chip.) Critical Alert. Cleared after reset and Y1 input sensed.
E349	No 24 Volts between R & O on "integrated control" with non-communicating outdoor unit (dual fuel model required for heat pump application).	Configuration link R to O needs to be restored. Replace link or hardware. Applicable in non-communicating mode. Critical Alert.
E370	Interlock switch sensed open for 2 minutes.	Control sees the loss of 24VAC for 2 minutes. Terminate all services and wait for interlock switch to close. The alarm will clear when 24VAC is continuously sensed on DS terminal for a minimum of 10 seconds or on a power reset.

Code	Diagnostic Codes/Status of Equipment	Action Required to Clear and Recover
E400	LSOM - Compressor internal overload tripped	Thermostat demand Y1 is present; but, compressor is not running. Check power to outdoor unit. Clears the error after current is sensed in both RUN and START sensors for at least 2 seconds, or after service is removed; or power reset.
E401	LSOM - Compressor long run cycle or low system pressure.	Compressor ran more that 18 hours to satisfy a single thermostat demand. Critical Alert. Clears the error after 30 consecutive normal run cycles or power reset. Also monitors low pressure switch trips.
E402	LSOM - Outdoor unit system pressure trip.	Discharge or suction pressure out-of-limits, or compressor overloaded. Clears the error after 4 consecutive normal compressor run cycles.
E403	LSOM - Compressor short-cycling (Running less than 4 minutes). Outdoor unit pressure trip.	Compressor runs less than 3 minutes to satisfy a thermostat demand. Clears the error after 4 consecutive normal run cycles or power reset.
E404	LSOM - Compressor rotor locked. Compressor short-cycling. (Running less than 4 minutes.)	Compressor rotor locked up due to run capacitor shore, bearings are seized, excessive liquid refrigeration, etc. Clears the error after 4 consecutive normal run cycles or power reset.
E405	LSOM - Compressor open circuit.	Compressor circuit open (due to power disconnection, open fuse, etc.) Clears the error after 1 normal compressor run cycle.
E406	LSOM - Compressor open start circuit.	Required amount of current is not passing through Start current transformer. Clears the error after current is sensed in START sensor, or after power reset.
E407	LSOM - Compressor open run circuit.	Required amount of current is not passing through Run current transformer. Clears the error after current is sensed in RUN sensor, or 1 normal compressor run cycle, or after power reset.
E408	LSOM - Compressor contactor is welded.	Compressor runs continuously. Clears the error after 1 normal compressor run cycle or after power reset.
E409	LSOM - Compressor low voltage.	Secondary voltage s below 18VAC. After 10 minutes, operation is discontinued. Clears the code after voltage is higher than 20VAC for 2 seconds or after power reset.

Program Unit Capacity / Size Mode

- 1) Refer to figures 53 and 54 for field wiring when using the Comfort Sync thermostat. Refer to tables 12A, 12B, 12C, and 12D for field wiring for all non-communicating applications.
- 2) If the furnace is being matched with a non-communicating heat pump, refer to the instructions packaged with the dual fuel thermostat.
- 3) See figure 53
- 4) Refer to tables 12A, 12B, 12C, and 12D

Power-Up – Number displayed represented by integrated control unit size code(furnace model and capacity). If three horizontal bars are displayed followed by a continuous E203, furnace control does not recognize unit size code. Configure per the following:

Verify that the furnace is in idle mode; signified by a flashing dot in the corner of the 7 segment LED display. Press and hold the button next to the display, until a solid “P” appears. Release the button. Note: replacement control boards may need to be manually configured to validate the furnace unit size code.

The solid “P” starts blinking. Release the button.

Push and hold the button until unit size codes are displayed. See chart below. When the correct unit size code is displayed, release the button. The selected code will flash for 10 seconds. During that period, press and hold the button for 5 seconds. The integrated control will store the code in memory and automatically exit and reset. (If the 10 seconds expire or the button is held for less than 5 seconds, the control will automatically exit and go into idle mode without storing the unit size code. If this happens, repeat steps to configure the unit size.)

Verify that the selected unit size code is correct and stored in non-volatile memory. To do this, cycle 24v power to the control. When the board powers up, the 7 segment LED will display the unit size code. If three horizontal bars are displayed, this indicates that the board does not recognize a unit size code; programming of the board will need to be repeated.

Unit Size Chart			
0 =	A96US2V045B12S-01	8 =	A96DS2V045B12S-01
1 =	A96US2V070B12S-01	9 =	A96DS2V070B16S-01
2 =	A96US2V090C12S-01	11 =	A96DS2V090C20S-01
3 =	A96US2V090C16S-01	U =	A96DS2V110C20S-01
4 =	A96US2V090C20S-01		
5 =	A96US2V110C16S-01		
6 =	A96US2V110C20S-01		
7 =	A96US2V135D20S-01		

Service



ELECTRICAL SHOCK, FIRE, OR EXPLOSION HAZARD.

Failure to follow safety warnings exactly could result in dangerous operation, serious injury, death or property damage.

Improper servicing could result in dangerous operation, serious injury, death, or property damage.

Before servicing, disconnect all electrical power to furnace.

When servicing controls, label all wires prior to disconnecting. Take care to reconnect wires correctly. Verify proper operation after servicing.

At the beginning of each heating season, system should be checked as follows by a qualified service technician:

Blower

Check the blower wheel for debris and clean if necessary. The blower motors are prelubricated for extended bearing life. No further lubrication is needed.



The blower access panel must be securely in place when the blower and burners are operating. Gas fumes, which could contain carbon monoxide, can be drawn into living space resulting in personal injury or death.

Filters

All air filters are installed external to the unit. Filters should be inspected monthly. Clean or replace the filters when necessary to ensure proper furnace operation. Table 1 lists recommended filter sizes.

Exhaust and air intake pipes

Check the exhaust and air intake pipes and all connections for tightness and to make sure there is no blockage.

NOTE: *After any heavy snow, ice or frozen fog event the furnace vent pipes may become restricted. Always check the vent system and remove any snow or ice that may be obstructing the plastic intake or exhaust pipes.*

Electrical

1. Check all wiring for loose connections.
2. Check for the correct voltage at the furnace (furnace operating).
3. Check amp-draw on the blower motor.
Motor Nameplate _____ Actual _____

Winterizing and Condensate Trap Care

1. Turn off power to the furnace.
2. Have a shallow pan ready to empty condensate water.
3. Remove the clean out cap from the condensate trap and empty water. Inspect the trap then reinstall the clean out cap.

Cleaning Heat Exchanger

If cleaning the heat exchanger becomes necessary, follow the below procedures and refer to Figure 1 when disassembling unit. Use papers or protective covering in front of furnace while removing heat exchanger assembly.

1. Turn off electrical and gas supplies to the furnace.
2. Remove the burner access panel.
3. Mark all gas valve wires and disconnect them from valve.
4. Remove gas supply line connected to gas valve.
5. Remove sensor wire from flame sensor. Disconnect 2-pin plug from the ignitor.
6. Disconnect wires from flame rollout switches.
7. Remove four burner assembly screws at the vestibule panel and remove gas valve /manifold and burner box as a single unit.
8. If necessary, clean burners at this time. Follow procedures outlined in Burner Cleaning section.
9. Remove the clean-out cap on trap and drain. Replace cap.
10. Disconnect condensate drain line from the condensate trap. Remove condensate trap (it may be necessary to cut drain pipe). Remove the 1/2" NPT fitting from the cold end header box. Disconnect drain tubes from cold end header collector box.
11. Disconnect condensate drain tubes from flue collar. Remove screws that secures flue collar in place. Remove flue collar. It may be necessary to cut the exiting exhaust pipe for removal of the fitting.
12. Loosen two clamps from flexible no-hub exhaust collar.
13. Disconnect the 2-pin plug from the combustion air inducer. Remove screws which secure combustion air inducer to collector box. Remove combustion air inducer assembly. Remove ground wire.
14. Mark and disconnect all combustion air pressure tubing from cold end header collector box.
15. Mark and remove wires from pressure switch. Remove pressure switch. Keep tubing attached to pressure switch.
16. Remove electrical junction box from the side of the furnace.
17. Remove blower access panel.
18. Mark and disconnect any remaining wiring to heating compartment components. Disengage strain relief bushing and pull wiring and bushing through the hole in the blower deck.
19. Remove the primary limit from the vestibule panel.
20. Remove top cap screws to allow top cap to be tilted upward to allow clearance for removing heat exchanger.

21. Remove two screws from the front cabinet flange at the blower deck. Spread cabinet sides slightly to allow clearance for removal of heat exchanger.
22. Remove screws along vestibule sides and bottom which secure vestibule panel and heat exchanger assembly to cabinet. Remove two screws from blower rails which secure bottom heat exchanger flange. Remove heat exchanger from furnace cabinet.
23. Back wash heat exchanger with soapy water solution or steam. If steam is used it must be below 275°F (135°C).
24. Thoroughly rinse and drain the heat exchanger. Soap solutions can be corrosive. Take care to rinse entire assembly.
25. Reinstall heat exchanger into cabinet making sure that the rear baffle of the heat exchanger assembly is nested under the support located at the rear of the cabinet. Remove the indoor blower to view this area through the blower opening.
26. Re-secure the supporting screws along the vestibule sides.
27. Reinstall blower assembly and reinstall two screws through rails.
28. Reinstall cabinet screws on front flange at blower deck.
29. Reinstall screws securing top cap.
30. Reinstall the primary limit on the vestibule panel.
31. Route heating component wiring through hole in blower deck and reinsert strain relief bushing.
32. Reinstall pressure switch and reconnect pressure switch wiring.
33. Carefully connect combustion air pressure switch hosing from pressure switch to proper stubs on cold end header collector box.
34. Reinstall 1/2" NPT (if removed) in the cold end header box. Reconnect drain tubing to collector box.
35. Reinstall condensate trap pipe. Reconnect condensate drain line to the condensate trap.
36. Reinstall electrical junction box.
37. Reinstall the combustion air inducer and flexible no hub connector. Reconnect the 2 pin plug to the wire harness.
38. Reconnect drain tubes between flue collar and cold end header box.
39. Secure burner assembly to vestibule panel using four existing screws. Burners are self aligning to center of clam shells.
40. Reconnect gas supply line to gas valve.
41. Reconnect flame rollout switch wires.
42. Reconnect sensor wire and reconnect 2 pin plug from ignitor.
43. Reconnect wires to gas valve.
44. Replace the blower compartment access panel.
45. Refer to instruction on verifying gas and electrical connections when reestablishing supplies.
46. Follow lighting instructions to light and operate furnace for 5 minutes to ensure that heat exchanger is clean and dry and that furnace is operating properly.
47. Replace heating compartment access panel.

Cleaning the Burner Assembly

1. Turn off gas and electrical power to the furnace. Remove heating compartment access panel.
2. Disconnect the gas supply line from the gas valve.
3. Disconnect and label wires from gas valve.
4. Disconnect ignitor wiring at 2 circuit plug.
5. Disconnect and label wires from rollout switch.
6. Disconnect and label flame sensor wire.
7. Disconnect and label ground wire from burner/manifold assembly.
8. Remove four screws that secures burner/manifold assembly to vestibule. Remove the assembly and make note not to allow ignitor plate to dislodge from the assembly.
9. Gently clean the face of the burners using the soft brush attachment on a vacuum cleaner. Visually inspect the inside of the burners and crossovers for any blockage caused by foreign matter. Remove any blockage
10. Reinstall the burner/manifold assembly using the existing four screws. **Burners are self aligning to center of clam shells.**
11. Reconnect ground wire.
12. Reconnect flame sensor wire.
13. Reconnect rollout switch wires.
14. Reconnect ignitor wires.
15. Reconnect gas valve wires.
16. Reconnect gas supply line to gas valve.
17. Refer to instructions on verifying gas and electrical connections when re-establishing supplies.
18. Follow instructions to place furnace in operation. Run furnace 5 minutes to ensure burners are clean and operating correctly.
19. Replace heating compartment access panel.

PLANNED SERVICE

A service technician should check the following items during an annual inspection. Power to the unit must be shut off for safety.

Fresh air grilles and louvers (on the unit and in the room where the furnace is installed) - Must be open and unobstructed to provide combustion air.

Burners - Must be inspected for rust, dirt, or signs of water.

Vent pipe - Must be inspected for signs of water, cracked, damaged or sagging pipe, or disconnected joints.

Unit appearance - Must be inspected for rust, dirt, signs of water, burnt or damaged wires, or components.

Blower access door - Must be properly in place and provide a seal between the return air and the room where the furnace is installed.

Return air duct - Must be properly attached and provide an air seal to the unit.

Operating performance - Unit must be observed during operation to monitor proper performance of the unit and the vent system.

Combustion gases - Flue products should be analyzed and compared to the unit specifications.

Problems detected during the inspection may make it necessary to temporarily shut down the furnace until the items can be repaired or replaced.

Instruct the homeowners to pay attention to their furnace. Situations can arise between annual furnace inspections that may result in unsafe operation. For instance, items innocently stored next to the furnace may obstruct the combustion air supply. This could cause incomplete combustion and the production of carbon monoxide gas.

REPAIR PARTS LIST

The following repair parts are available through Allied Air dealers. When ordering parts, include the complete furnace model number listed on the CSA nameplate. All service must be performed by a licensed professional installer (or equivalent), service agency, or gas supplier.

Cabinet Parts

- Upper Access Panel
- Blower Access Panel
- Top Cap

Control Panel Parts

- Transformer
- Integrated Control Board
- Door Interlock Switch

Blower Parts

- Blower Wheel
- Motor
- Motor Mounting Frame
- Motor Choke
- Blower Housing Cutoff Plate

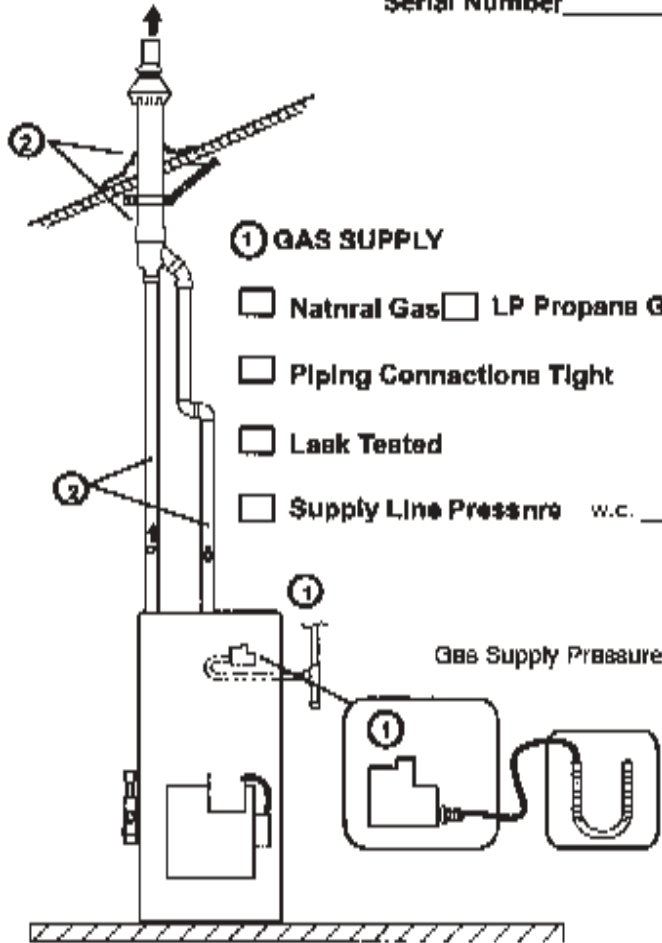
Heating Parts

- Flame Sensor
- Heat Exchanger Assembly
- Gas Manifold
- Combustion Air Inducer
- Gas Valve
- Main Burner Cluster
- Main Burner Orifices
- Pressure Switch
- Ignitor
- Primary Limit Control
- Flame Rollout Switches

Start-Up & Performance Check List

UNIT SET UP

Furnace:
 Model Number _____
 Serial Number _____



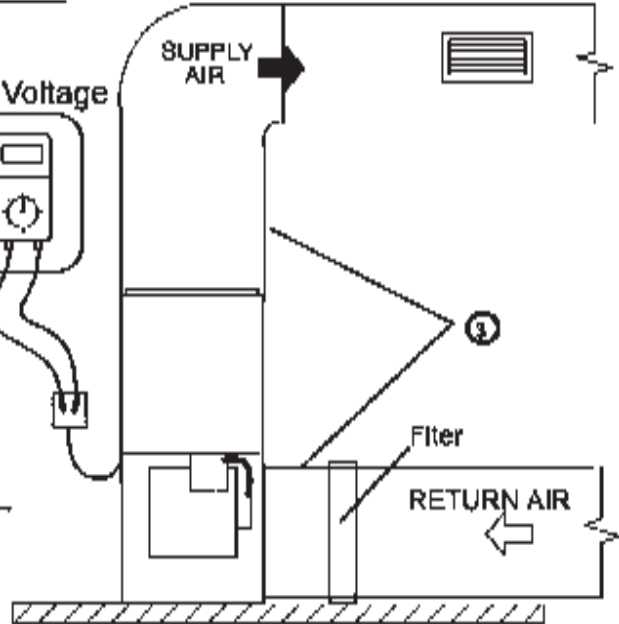
① GAS SUPPLY

- Natural Gas LP Propane Gas
- Piping Connections Tight
- Leak Tested
- Supply Line Pressure w.c. _____

② INTAKE / EXHAUST PIPE

- All Joints Primed and Glued
- Terminations Installed Properly
- Horizontal Pipes Sloped (if applicable)
- Condensate Trap Primed / Line Sloped
- Pipes Supported
- Heat Cable Installed and Operable (if applicable)

Line Voltage



③ DUCT SYSTEM

SUPPLY AIR DUCT

- Sealed
- Insulated (if necessary)

RETURN DUCT

- Sealed
- Filter Installed and Clean
- Grilles Unobstructed

④ VOLTAGE CHECK

- Supply Voltage _____
- Electrical Connections Tight

UNIT OPERATION

Heating Mode

Cooling Mode

- ① GAS MANIFOLD PRESSURE "W.C. _____
- ② COMBUSTION SAMPLE CO₂% _____ CO PPM _____
- ③ INDOOR BLOWER AMPS _____
- ④ TEMPERATURE RISE
 Supply Duct Temperature _____
 Return Duct Temperature - _____
 Temperature Rise = _____
- ⑤ TOTAL EXTERNAL STATIC
 Supply External Static _____
 Return External Static + _____
 Total External Static = _____

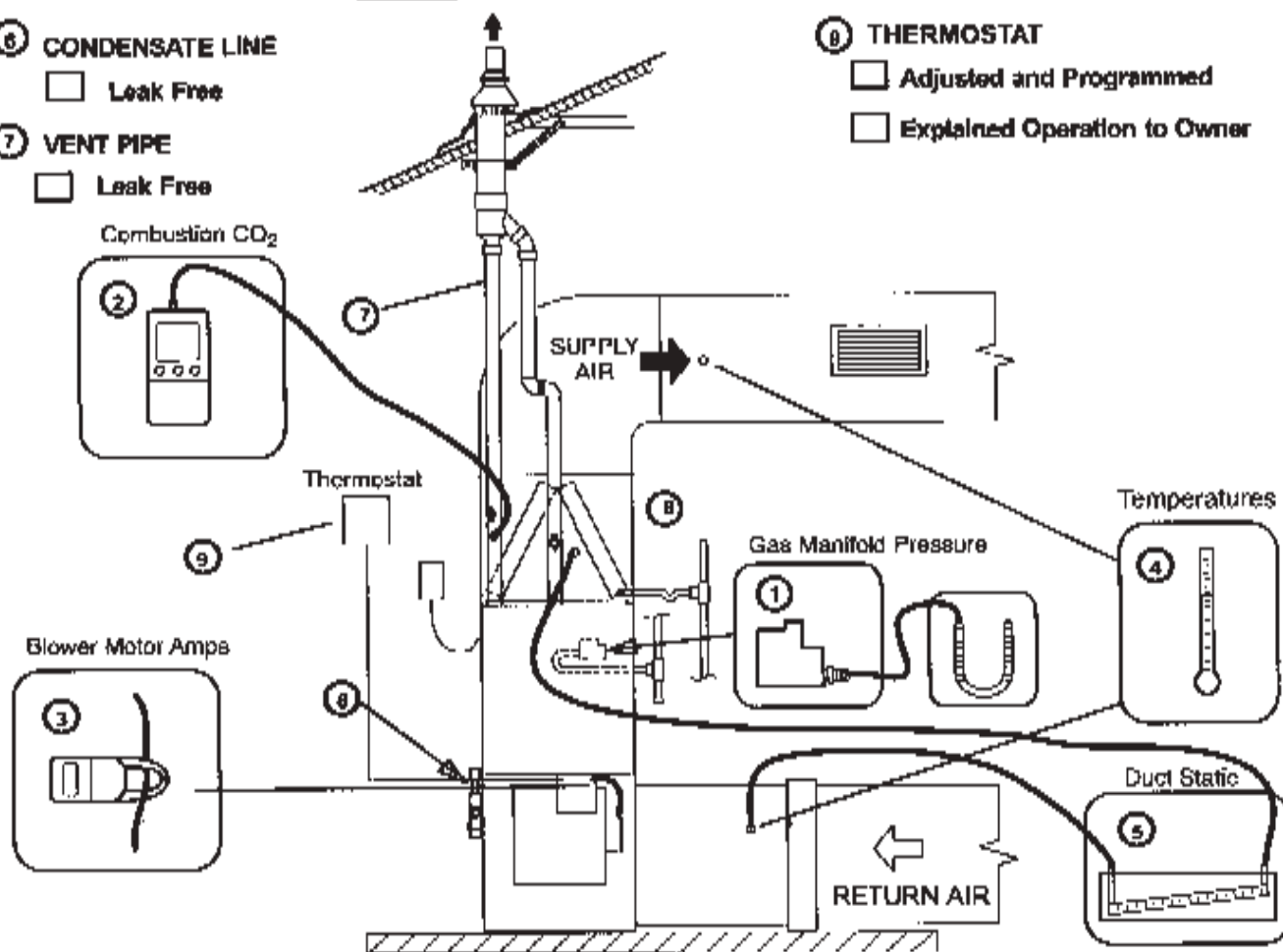
- ③ INDOOR BLOWER AMPS _____
- ④ TEMPERATURE DROP
 Return Duct Temperature _____
 Supply Duct Temperature - _____
 Temperature Drop = _____
- ⑤ TOTAL EXTERNAL STATIC (dry coil)
 Supply External Static _____
 Return External Static + _____
 Total External Static = _____

- ⑥ CONDENSATE LINE
 Leak Free

- ⑧ DRAIN LINE
 Leak Free

- ⑦ VENT PIPE
 Leak Free

- ⑨ THERMOSTAT
 Adjusted and Programmed
 Explained Operation to Owner



Contractor's Name _____ Telephone _____ Checklist Completed _____

Job Address _____ Technician's Name _____

REQUIREMENTS for COMMONWEALTH of MASSACHUSETTS

Modifications to NFPA-54, Chapter 10

Revise NFPA-54 section 10.8.3 to add the following requirements:

For all side wall, horizontally vented, gas-fueled equipment installed in every dwelling, building or structure used in whole or in part for residential purposes, including those owned or operated by the Commonwealth and where the side wall exhaust vent termination is less than seven (7) feet above the finished grade in the area of the venting, including but not limited to decks and porches, the following requirements shall be satisfied:

1. **INSTALLATION OF CARBON MONOXIDE DETECTORS.** At the time of installation of the side wall, horizontally vented, gas-fueled equipment, the installing plumber or gas fitter shall observe that a hard-wired carbon monoxide detector with an alarm and battery backup is installed on the floor level where the gas equipment is to be installed. In addition, the installing plumber or gas fitter shall observe that a battery-operated or hard-wired carbon monoxide detector with an alarm is installed on each additional level of the dwelling, building or structure served by the side wall, horizontally vented, gas-fueled equipment. It shall be the responsibility of the property owner to secure the services of qualified licensed professionals for the installation of hard-wired carbon monoxide detectors.
 - a. In the event that the side wall, horizontally vented, gas-fueled equipment is installed in a crawl space or an attic, the hard-wired carbon monoxide detector with alarm and battery backup may be installed on the next adjacent floor level.
 - b. In the event that the requirements of this subdivision cannot be met at the time of completion of installation, the owner shall have a period of thirty (30) days to comply with the above requirements; provided, however, that during said thirty (30) day period, a battery-operated carbon monoxide detector with an alarm shall be installed.
2. **APPROVED CARBON MONOXIDE DETECTORS.** Each carbon monoxide detector as required in accordance with the above provisions shall comply with NFPA 720 and be ANSI/UL 2034 listed and IAS certified.
3. **SIGNAGE.** A metal or plastic identification plate shall be permanently mounted to the exterior of the building at a minimum height of eight (8) feet above grade directly in line with the exhaust vent terminal for the horizontally vented, gas-fueled heating appliance or equipment. The sign shall read, in print size no less than one-half (1/2) inch in size, **“GAS VENT DIRECTLY BELOW. KEEP CLEAR OF ALL OBSTRUCTIONS.”**

4. **INSPECTION.** The state or local gas inspector of the side wall, horizontally vented, gas-fueled equipment shall not approve the installation unless, upon inspection, the inspector observes carbon monoxide detectors and signage installed in accordance with the provisions of 248 CMR 5.08(2)(a) 1 through 4.

EXEMPTIONS: The following equipment is exempt from 24 CMR 5.08(2)(a) 1 through 4:

1. The equipment listed in Chapter 10 entitled “Equipment Not Required to Be Vented” in the most current edition of NFPA 54 as adopted by the Board; and
2. Product Approved side wall, horizontally vented, gas-fueled equipment installed in a room or structure separate from the dwelling, building or structure used in whole or in part for residential purposes.

MANUFACTURER REQUIREMENTS - GAS EQUIPMENT VENTING SYSTEM PROVIDED.

When the manufacturer of Product Approved side wall, horizontally vented, gas-fueled equipment provides a venting system design or venting system components with the equipment, the instructions provided by the manufacturer for installation of the equipment and the venting system shall include:

1. Detailed instructions for the installation of the venting system design or the venting system components; and
2. A complete parts list for the venting system design or venting system.

MANUFACTURER REQUIREMENTS - GAS EQUIPMENT VENTING SYSTEM NOT PROVIDED.

When the manufacturer of Product Approved sidewall, horizontally vented, gas-fueled equipment does not provide the parts for venting the flue gases, but identifies “special venting systems,” the following requirements shall be satisfied by the manufacturer:

1. The referenced “special venting system” instructions shall be included with the appliance or equipment installation instructions; and
2. The “special venting systems” shall be Product Approved by the Board, and the instructions for that system shall include a parts list and detailed installation instructions.

A copy of all installation instructions for all Product Approved side wall, horizontally vented, gas-fueled equipment, all venting instructions, all parts lists for venting instructions, and/or all venting design instructions shall remain with the appliance or equipment at the completion of the installation.