

Overview

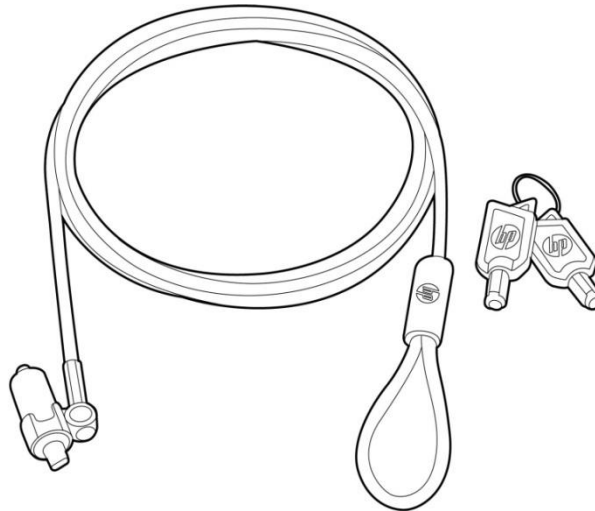
HP Security Accessories

HP Ultralim Cable Lock Kit

Model

HP Ultralim Cable Lock Kit

H4D73AA



HP Ultralim Cable Lock Kit

Secure your HP Business Desktop PC quickly and easily with the HP Ultralim Cable Lock Kit.

Key Benefits

- The slimmest lock available from HP, the HP Ultralim Cable Lock keeps a low profile and is compatible with any HP PC with a standard security lock slot.
- A 5.9 ft (1.80 m) vinyl-coated, galvanized aircraft-grade steel cable loops around any secure object and then attaches to the desktop with a push-button locking mechanism and a unique key (including a spare key).
- Swivel and adjust the cable 360 degrees to wherever you need to tether your PC to a table, desk, or other device.

NOTE: HP Security Cable locks are designed, tested, and proven to be an economical and effective deterrent to help prevent opportunistic theft. While HP Security Cable locks help protect supported computer equipment from theft, they are not designed to provide impervious protection and should not be relied on as the sole security solution for your equipment. HP Security Cable locks are only one of several methods that should be employed as part of a complete security solution to help maximize theft protection.

Compatibility

The HP Ultralim Cable Lock Kit is compatible with all computer equipment with an industry standard lock slot..

Spares Information

HP Ultralim Keyed Cable Lock (H4D73AA)

703372-001

Overview

HP 2014 Solenoid Lock & Hood Sensors

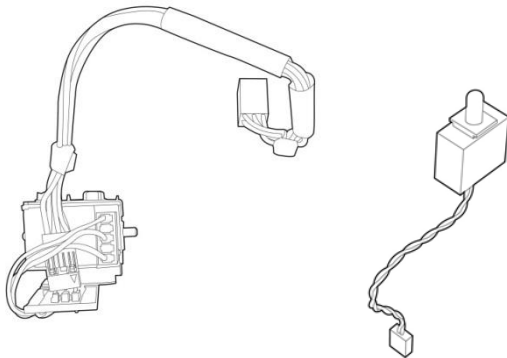
Models

HP 2014 Solenoid Lock & Hood Sensor (MT)

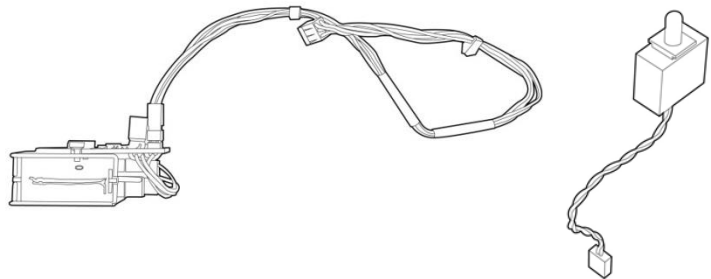
J6L42AA

HP 2014 Solenoid Lock & Hood Sensor (SFF)

J6L43AA



HP Solenoid Lock and Hood (SFF) Sensor*



HP Solenoid Lock and Hood (MT) Sensor*

*Note: Cables shown above appear longer than those used in actual product.

Help protect your HP Business Desktop small form factor or minitower from unauthorized tampering or theft with the HP 2014 Solenoid Lock and Hood Sensor hardware and software security solution.

Key Benefits

- Dual-function hardware design acts as both a hood sensor and a chassis cover lock.
- Integrated software alerts administrators to attempted tampering or removal, and allows the lock to be activated or deactivated from a central or remote location.¹

¹ Internet access required and not included.

Model

HP 2014 Solenoid Lock & Hood Sensor (MT)

J6L42AA

Compatibility

HP 2014 Solenoid Lock & Hood Sensor (MT) (J6L42AA) is compatible with the HP EliteDesk 700 G1 MT; HP EliteDesk 705 G1 MT

NOTE: Please check this product's web page on HP.com for current compatibility information.

NOTE: Not all products available in all regions.

Spares Information

Solenoid Lock assembly SFF (J6L42AA)

784777-001

Hood sensor module (J6L42AA)

638816-001

Model

HP 2014 Solenoid Lock & Hood Sensor (SFF)

J6L43AA

Overview

Compatibility

HP 2014 Solenoid Lock & Hood Sensor (SFF) (J6L43AA) is compatible with the HP EliteDesk 700 G1 SFF; HP EliteDesk 705 G1 SFF

NOTE: Please check this product's web page on HP.com for current compatibility information.

NOTE: Not all products available in all regions.

Spares information

Solenoid Lock Assembly (J6L43AA)

732772-001

Hood sensor module (J6L43AA)

638816-001

Overview

Solenoid Lock and Hood Sensor (2013)

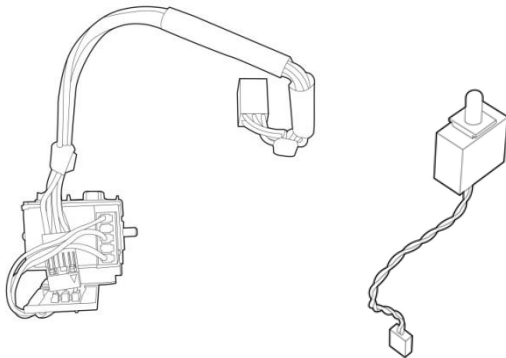
Models

HP Solenoid Lock and Hood (USDT/SFF) Sensor

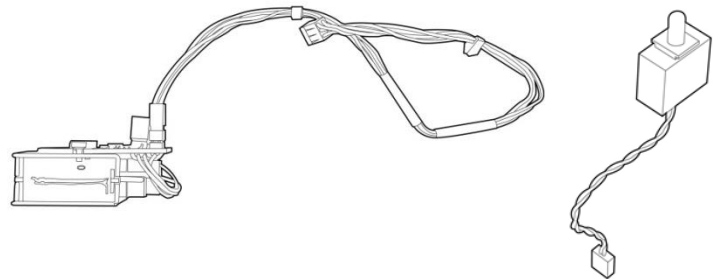
E0X97AA

HP Solenoid Lock and Hood (TWR) Sensor

E0X96AA



HP Solenoid Lock and Hood (USDT/SFF) Sensor



HP Solenoid Lock and Hood (TWR) Sensor

Help protect your PC from unauthorized tampering or theft with a hood sensor and chassis cover lock. Integrated software alerts admins to tampering or removal, and allows you to activate and deactivate the lock from a central or remote location.¹

Key Benefits

- Help deter theft with a hardware cover lock that prevents access to the interior of the chassis.
- Manage the integrated software from a central or remote location¹, and get alerts to potential tampering of chassis removal.

¹ Network connection required, and sold separately.

Model

HP Solenoid Lock and Hood (USDT/SFF) Sensor

E0X97AA

Compatibility

HP Solenoid Lock and Hood (USDT/SFF) Sensor (E0X97AA) is compatible with the HP ProDesk 600 G1 SFF; HP EliteDesk 800 G1 SFF, USDT.

NOTE: Please check this product's web page on [HP.com](#) for current compatibility information.

NOTE: Not all products available in all regions.

Spares Information

Solenoid Lock assembly SFF (E0X97AA)

732772-001

Hood sensor module (E0X97AA)

638816-001

Model

HP Solenoid Lock and Hood (TWR) Sensor

E0X96AA

Compatibility

Overview

HP Solenoid Lock and Hood (TWR) Sensor (E0X96AA) is compatible with the HP ProDesk 600 G1 TWR, HP EliteDesk 800 G1 TWR.

NOTE: Please check this product's web page on HP.com for current compatibility information.

NOTE: Not all products available in all regions.

Spares information

Solenoid Lock Assembly (E0X96AA)	641498-001
Hood sensor module (E0X96AA)	638816-001
Cable clip (E0X96AA)	733686-001

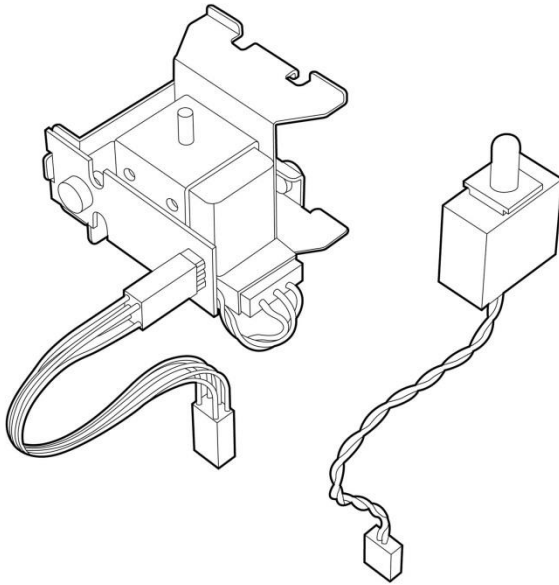
Overview

Solenoid Lock and Hood Sensor (2009)

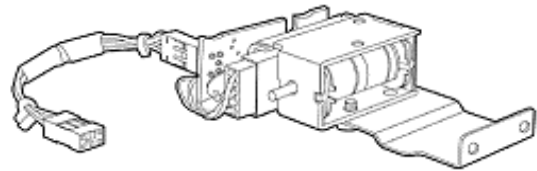
Models

HP (SFF) Solenoid Lock and Hood Sensor
HP (CMT) Solenoid Lock and Hood Sensor

BP428AA
DE618A



HP 2009 (SFF) Solenoid Lock and Hood Sensor



HP (CMT) Solenoid Lock and Hood Sensor

Protect your small form factor or convertible minitower business desktop from unauthorized tampering or theft by combining hardware and software security with the specially designed Smart Cover Lock and Hood Sensor.

The Smart Cover Lock and Hood Sensor combines hardware and software security to help protect your HP Business Desktop from unauthorized tampering or theft. The lock acts as both a hood sensor and a chassis cover lock. The accompanying software alerts administrators to tampering or removal, and allows you to activate and deactivate the lock via software from a central or even remote location.

Key Benefits

- Protect your desktop from unauthorized interference or theft
- Combines hardware and software security for added protection
- Acts as a hood sensor and chassis cover lock
- Software alerts you to tampering or removal of desktop

Model

HP (SFF) Solenoid Lock and Hood Sensor

BP428AA

Compatibility

HP (SFF) Solenoid Lock and Hood Sensor (BP428AA) is compatible with the HP Compaq 6005 Pro SFF, HP Compaq 6200 Pro SFF, HP Compaq 6300 Pro SFF, HP Compaq 8200 Elite SFF, HP Compaq 8300 Elite SFF, HP rp5700 Retail System, and HP Z210 SFF Workstation.

NOTE: Please check [this product's web page on HP.com](#) for current compatibility information.

Overview

NOTE: Not all products available in all regions.

Spares information

HP (SFF) Smart Cover Lock and Hood Sensor (BP428AA)

586752-001

Model

HP (CMT) Solenoid Lock and Hood Sensor

DE618A

Compatibility

The HP (CMT) Solenoid Lock (DE618A) is compatible with the HP Compaq 6005 Pro MT, HP Compaq 6200 Pro MT, HP Compaq 6300 Pro MT, HP Compaq 8200 Elite CMT, HP Compaq 8200 Elite MT, HP Compaq 8300 Elite CMT, HP Compaq 8300 Elite MT, HP Compaq 6305 Pro MT, and the HP Z400 and HP Z210 CMT Workstations.

NOTE: Please check this product's web page on [HP.com](#) for current compatibility information.

NOTE: Not all products available in all regions.

Spares information

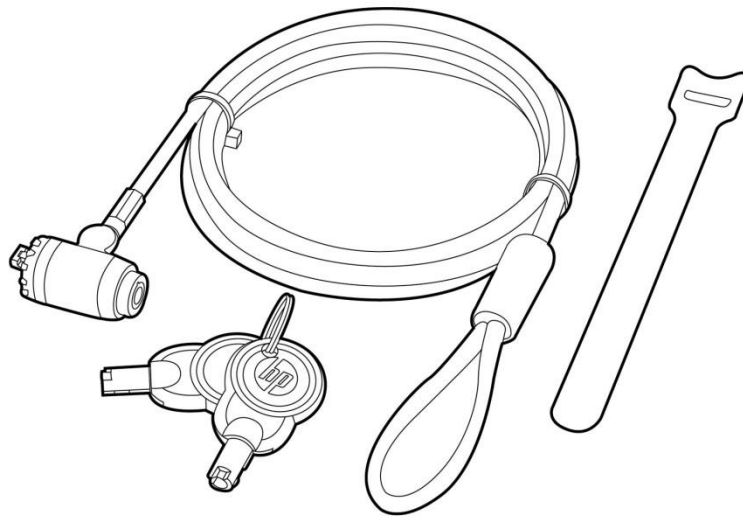
HP (CMT) Solenoid Lock and Hood Sensor (DE618A)

336442-001

Overview

HP Keyed Cable Lock

Model
HP Keyed Cable Lock for Business Laptops and Desktops BV411AA



HP Keyed Cable Lock for Business Laptops and Desktops

The HP Keyed Cable Lock is designed to be used with industry standard lock slots like the type found on a desktop PC, laptop, docking station, flat panel display, printer or projector. Secure your valuable IT hardware with this lock that consists of a 6.00' (1.83 m) vinyl-coated, galvanized aircraft-grade steel cable that loops around any secure object and then attaches to the computer or device you want to lock. The lock features a push-button locking mechanism and a unique key (including a spare key) to unlock the cable. A small Velcro strap is also included to help manage or adjust the length of the cable as you place and use it.

Key Benefits

- Use the HP Keyed Cable Lock with your desktop PC, laptop, or computing accessory
 - Lock and unlock the locking mechanism with a key that is unique to the lock
 - Swivel and adjust the cable 360 degrees to wherever you need to use it
 - Store away the extra key – always have a spare
-

Compatibility

The HP Keyed Cable Lock is compatible with all computer equipment with an industry standard lock slot.

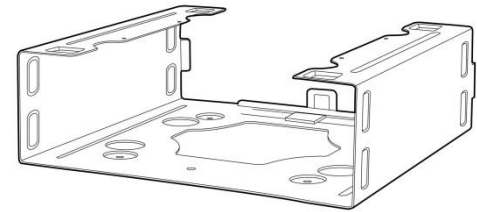
NOTE: Not all products available in all regions.

Overview

HP Wall Mount Security Sleeves

Physically mount and secure your 2013 and legacy HP Small Form Factor Business Desktop PC onto a wall or underneath a desk with the HP (2013) SFF Wall Mount/Security Sleeve.

The Wall Mount Security Sleeve is a specially designed bracket which allows your small form factor business desktop or HP Point of Sale System to be mounted on a wall or beneath the desk for enhanced security and convenience. In addition, the bracket helps to free up valuable space on your desktop.



Wall Mount Security Sleeves

Model	
HP (2013) SFF Wall Mount/Security Sleeve	FOK75AA
HP (2009) SFF Wall Mount/Security Sleeve	VN570AA
HP SFF Wall Mount/ Security Sleeve	GF344AA

Key Benefits

- Mount your desktop on a wall or beneath your desk
 - Enhances security and convenience
 - Frees up valuable desktop space
-

Compatibility

The HP (2013) SFF Wall Mount/Security Sleeve is compatible with HP ProDesk 400 G1 SFF, HP Compaq 6300 Pro SFF, HP ProDesk 600 G1 SFF, HP Compaq Elite 8300 SFF, HP EliteDesk 800 G1 SFF, HP Compaq 6305 Pro SFF, HP rp5700 Retail System, HP rp5800 Retail System.

HP (2009) SFF Wall Mount/Security Sleeve is compatible with the HP Compaq 4000 Pro SFF, HP Compaq 6000 Pro SFF, HP Compaq 4300 Pro SFF, HP Compaq 6005 Pro SFF, HP Compaq 6200 Pro SFF, HP Compaq 6300 Pro SFF, HP Compaq 8200 Elite SFF, HP Compaq 8300 Elite SFF, HP Compaq 6305 Pro SFF, HP rp5700 Retail System, HP rp5800 Retail System, HP EliteDesk 800 G1 SFF, and HP ProDesk 600 G1 SFF.

The HP SFF Wall Mount/Security Sleeve is compatible with the HP Compaq dc5800 Small Form Factor, HP Compaq dc5850 Small Form Factor, HP Compaq dc7700 Small Form Factor, HP Compaq dc7800 Small Form Factor, HP Compaq dc7900 Small Form Factor and the HP rp5700 Point of Sale Small Form Factor.

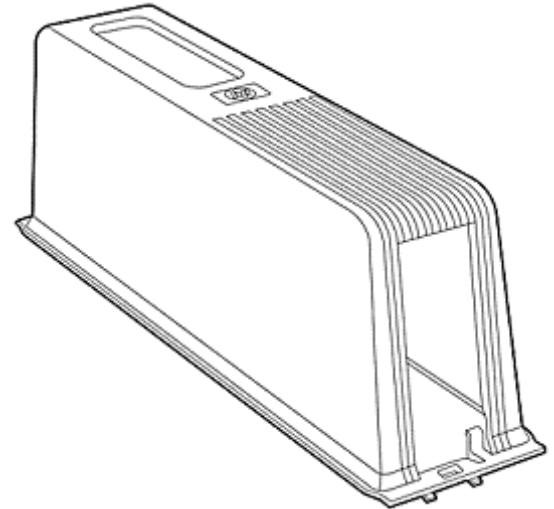
NOTE: Please check this product's web page on HP.com for current compatibility information.

NOTE: Not all products available in all regions.

Overview

HP Rear Port Controllers

Prevent access to ports at the back of your HP Compaq Business Desktop with a rear port controller cover.



Rear Port Controller Cover

Model	
HP (USDT) Rear Port Controller Cover	GJ121AA
HP (Black) USDT Rear Port Controller Cover	VN571AA

Key Benefits

- Prevent access to rear ports
- Enhances security and convenience

Compatibility

The HP (USDT) Rear Port Controller Cover is compatible with HP Compaq dc7800 and dc7900 Ultra-Slim Desktop.

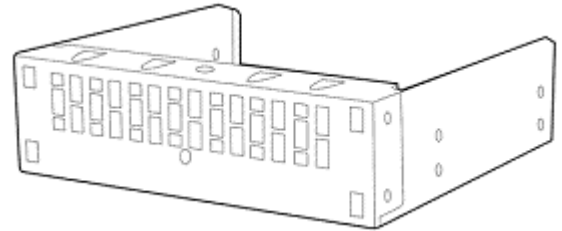
The HP (Black) USDT Rear Port Controller Cover is compatible with the HP Compaq 6005 Pro USDT, HP Compaq 8200 Elite USDT, HP Compaq 8300 Elite USDT, and HP EliteDesk 800 G1 USDT.

NOTE: Please check [this product's web page on HP.com](#) for current compatibility information.

Overview

HP Chassis Security Kit

Prevent access to or removal of internal components like memory, hard drive, and power supply, particularly designed for the education market.



Chassis Security Kit

Model	HP Chassis Security Kit	AR639AA
--------------	-------------------------	---------

Key Benefits

- Protect your investment and help keep the system up and running by:
 - Safeguarding the memory and hard drive with a metal bay filler
 - Securing the power supply with two screws
 - Preventing cable disconnection
 - Locking down the front bezel so that internal components cannot be removed

Compatibility

The HP Chassis Security Kit is compatible with the HP Compaq 4000 Pro SFF, HP Compaq 6000 Pro MT, HP Compaq 6000 Pro SFF, HP Compaq 4300 Pro SFF, HP Compaq 6005 Pro MT, HP Compaq 6005 Pro SFF, HP Compaq 6200 Pro MT, HP Compaq 6200 Pro SFF, HP Compaq 6300 Pro MT, HP Compaq 6300 Pro SFF, HP Compaq 8200 Elite SFF, HP Compaq 8200 Elite CMT, HP Compaq 8200 Elite MT, HP Compaq 8300 Elite CMT, HP Compaq 8300 Elite MT, HP Compaq 8300 Elite SFF, HP Compaq 6305 Pro MT, HP Compaq 6305 Pro SFF, HP rp3000 Point of Sale System, HP rp5700 Retail System, HP EliteDesk 800 G1 TWR, and HP ProDesk 600 G1 TWR.

NOTE: Please check this product's web page on HP.com for current compatibility information.

Dimensions	HP Ultralim Cable Lock	5.9 ft (1.8 m) (length) 0.17 in (.44 cm) (diameter)
	HP Solenoid Lock and Hood (SFF/USDT) Sensor	2.5 x 1.8 x 1.0 in (6.35 x 4.6 x 2.5 cm)
	HP Solenoid Lock and Hood (TWR) Sensor	2.25 x 9.5 x 7.5 in (5.71 x 24.1 x 19.1 cm)
	HP 2009 (SFF) Smart Cover Lock and Hood Sensor – BP428AA	2.5 x 1.8 x 1.0 in (6.35 x 4.6 x 2.5 cm)
	HP (CMT) Solenoid Lock – DE618A	2.25 x 9.5 x 7.5 in (5.71 x 24.1 x 19.1 cm)
	HP Keyed Cable Lock – BV411AA (Cable Length and Diameter)	6.00 ft (1.83 m) (length) 0.4 in (1.02 cm) (diameter)
	HP SFF Wall Mount/ Security Sleeve – GF344AA	13.5 x 4.4 x 14.4 in (34.3 x 11.2 x 36.6 cm)
	HP (2009) SFF Wall Mount/Security Sleeve – VN570AA	13.5 x 4.4 x 14.4 in (34.3 x 11.2 x 36.6 cm)
	HP (USDT) Rear Port Controller Cover – GJ121AA	2.6 x 3.7 x 9.9 in (6.6 x 9.4 x 25.1 cm)
	HP (Black) USDT Rear Port Controller Cover – VN571AA	2.6 x 3.7 x 9.9 in (6.6 x 9.4 x 25.1 cm)
	HP Chassis Security Kit – AR639AA	1.6 x 5.7 x 5.4 (4.2 x 14.6 x 13.7 cm)

Overview

Weight	HP Ultralim Cable Lock	4.2 lbs (0.12 kg)
	HP Solenoid Lock and Hood (SFF/USDT) Sensor	0.15 lbs (68 g)
	HP Solenoid Lock and Hood (TWR) Sensor	0.65 lbs (295 g)
	HP 2009 (SFF) Smart Cover Lock and Hood Sensor – BP428AA	0.15 lbs (68 g)
	HP (CMT) Solenoid Lock – DE618A	0.65 lbs (295 g)
	HP Keyed Cable Lock – BV411AA	0.27 lbs (122.47 g)
	HP SFF Wall Mount/ Security Sleeve – GF344AA	5.9 lbs (2.68 kg)
	HP (2009) SFF Wall Mount/Security Sleeve – VN570AA	5.9 lbs (2.68 kg)
	HP (USDT) Rear Port Controller Cover – GJ121AA	0.4 lbs (181 g)
	HP (Black) USDT Rear Port Controller Cover – VN571AA	0.4 lbs (181 g)
HP Chassis Security Kit – AR639AA	0.55 lbs (249.5 g)	
Option kit contents	HP Ultralim Keyed Cable Lock Kit	HP UltraSlim Keyed Cable Lock, 2 keys, documentation
	HP Solenoid Lock and Hood (SFF/USDT) Sensor	Solenoid Lock, documentation
	HP Solenoid Lock and Hood (TWR) Sensor	Solenoid Lock, documentation
	HP 2009 (SFF) Smart Cover Lock and Hood Sensor – BP428AA	Solenoid Lock, documentation
	HP (CMT) Solenoid Lock – DE618A	Solenoid Lock, documentation
	HP Keyed Cable Lock – BV411AA	HP Keyed Cable Lock, 2 keys, documentation
	HP SFF Wall Mount/ Security Sleeve – GF344AA	Wall Mount, screws, documentation
	HP (2009) SFF Wall Mount/Security Sleeve – VN570AA	Wall Mount, screws, documentation
	HP (USDT) Rear Port Controller Cover – GJ121AA	Rear Port Controller Cover, documentation
	HP (Black) USDT Rear Port Controller Cover – VN571AA	Rear Port Controller Cover, documentation
HP Chassis Security Kit – AR639AA	Bay filler, screws, documentation	

© Copyright 2013 Hewlett-Packard Development Company, L.P. The information contained herein is subject to change without notice. The only warranties for HP products and services are set forth in the express warranty statements accompanying such products and services. Nothing herein should be construed as constituting an additional warranty. HP shall not be liable for technical or editorial errors or omissions contained herein.

Microsoft and Windows are US registered trademarks of Microsoft Corporation.

Summary of changes

Date of change:	Version History:		Description of change:
August 4, 2014	From v21 to v22	Upgrade	Change the name and version for launching
		Added	Added the change log