

KC50



ZEBRA

Installation Guide

2024/07/17

ZEBRA and the stylized Zebra head are trademarks of Zebra Technologies Corporation, registered in many jurisdictions worldwide. All other trademarks are the property of their respective owners. ©2024 Zebra Technologies Corporation and/or its affiliates. All rights reserved.

Information in this document is subject to change without notice. The software described in this document is furnished under a license agreement or nondisclosure agreement. The software may be used or copied only in accordance with the terms of those agreements.

For further information regarding legal and proprietary statements, please go to:

SOFTWARE: zebra.com/informationpolicy.

COPYRIGHTS: zebra.com/copyright.

PATENTS: ip.zebra.com.

WARRANTY: zebra.com/warranty.

END USER LICENSE AGREEMENT: zebra.com/eula.

Terms of Use

Proprietary Statement

This manual contains proprietary information of Zebra Technologies Corporation and its subsidiaries ("Zebra Technologies"). It is intended solely for the information and use of parties operating and maintaining the equipment described herein. Such proprietary information may not be used, reproduced, or disclosed to any other parties for any other purpose without the express, written permission of Zebra Technologies.

Product Improvements

Continuous improvement of products is a policy of Zebra Technologies. All specifications and designs are subject to change without notice.

Liability Disclaimer

Zebra Technologies takes steps to ensure that its published Engineering specifications and manuals are correct; however, errors do occur. Zebra Technologies reserves the right to correct any such errors and disclaims liability resulting therefrom.

Limitation of Liability

In no event shall Zebra Technologies or anyone else involved in the creation, production, or delivery of the accompanying product (including hardware and software) be liable for any damages whatsoever (including, without limitation, consequential damages including loss of business profits, business interruption, or loss of business information) arising out of the use of, the results of use of, or inability to use such product, even if Zebra Technologies has been advised of the possibility of such damages. Some jurisdictions do not allow the exclusion or limitation of incidental or consequential damages, so the above limitation or exclusion may not apply to you.

Assembling the Back-to-back Tabletop Stand

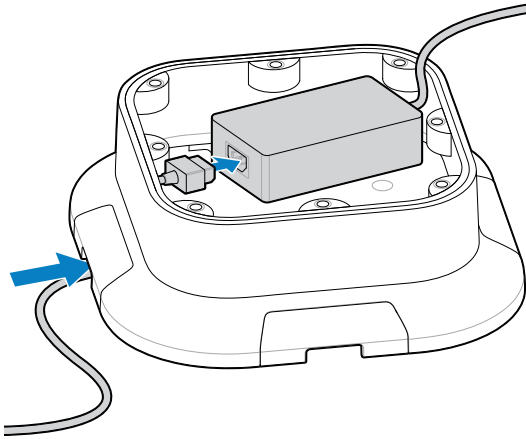
Follow these steps to assemble the KC50 solution and its tabletop stand.

Before beginning the assembly process, gather the following:

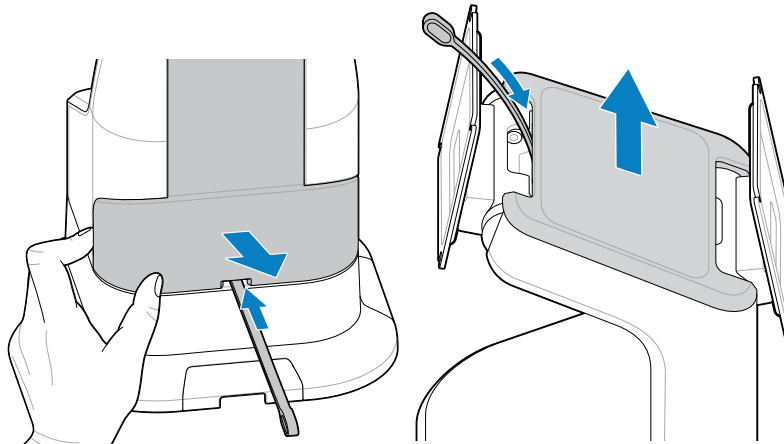
- 10 mm Allen key (provided with the stand).
- T10 Torx wrench (provided with the KC50).
- Removal tool (provided with the KC50).
- Minimum 3x3' working space covered with a dropcloth or similar material to protect the KC50 and TD50 screens.

KC50

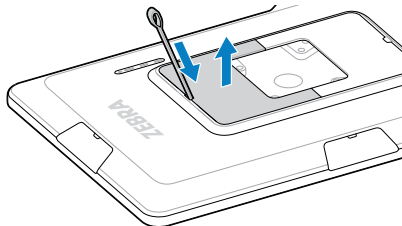
1. Prepare the stand and KC50 for assembly.
 - a) Remove each of the three screws securing the base to the vertical stand using the Allen key provided.



- b) Lift the vertical stand off the base.
 - c) Use the removal tool to remove the vertical stand cover and top cover. Set them aside.



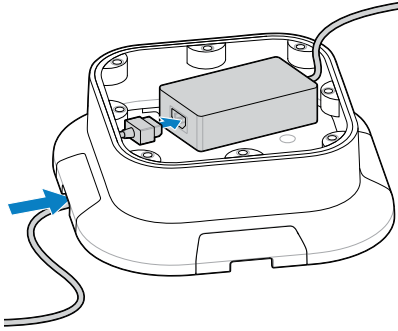
- d) Use the removal tool to remove the two covers from the back of the KC50. Set them aside.



2. Place the MODEL NUMBER AC/DC power adapter in the base.

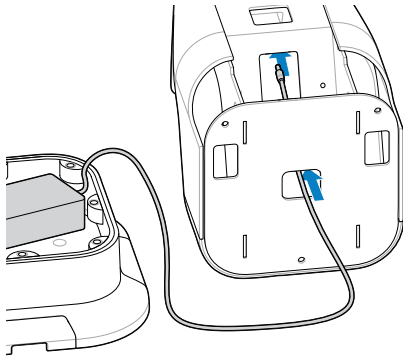
KC50

3. Route the AC cable through the base and connect it to the power adapter.

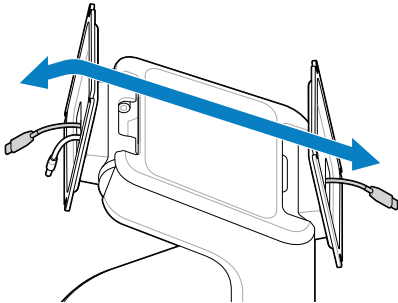


NOTE: If your setup requires any additional cabling (such as an Ethernet or second USB-C cable), include them in steps 3-11 and connect them to the KC50 once it is secured to the stand)

4. Route the DC power cable through the center hole at the bottom of the vertical stand.



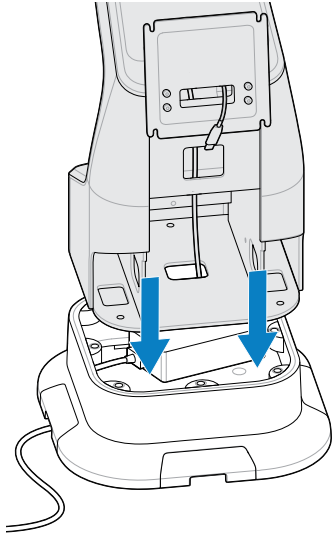
5. Pull the DC power cable up through the vertical stand body and then push it through the slot in the front of the VESA mounting plate.



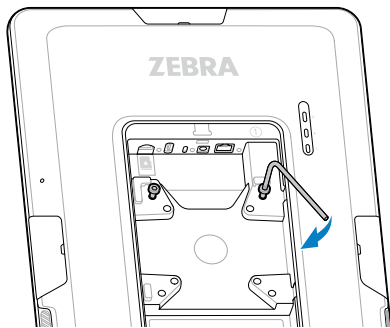
6. Pull enough cable through so that it sits on top of the VESA plate.
7. Route the USB-C to USB-C Power cable (PARTNUMBER) through the front slot of the VESA plate through the top of the stand, through the second VESA plate slot.

KC50

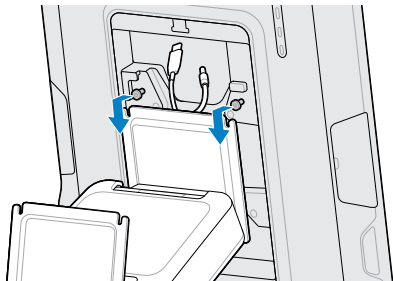
8. Place the vertical stand on top of the base and secure it in place using the screws and Allen wrench.



9. Loosely screw the two top screws into the 100x100 frame on the back of the KC50.

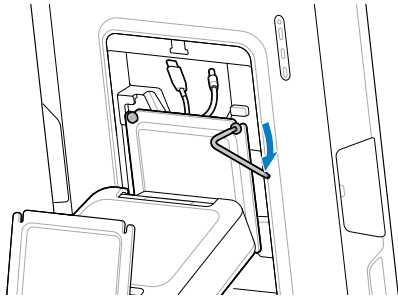


10. Hang the KC50 on the VESA mounting plate by sliding the two screws into the VESA screw slots.

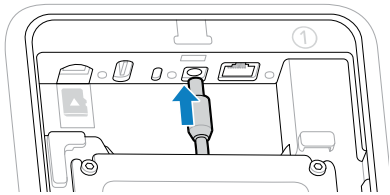


KC50

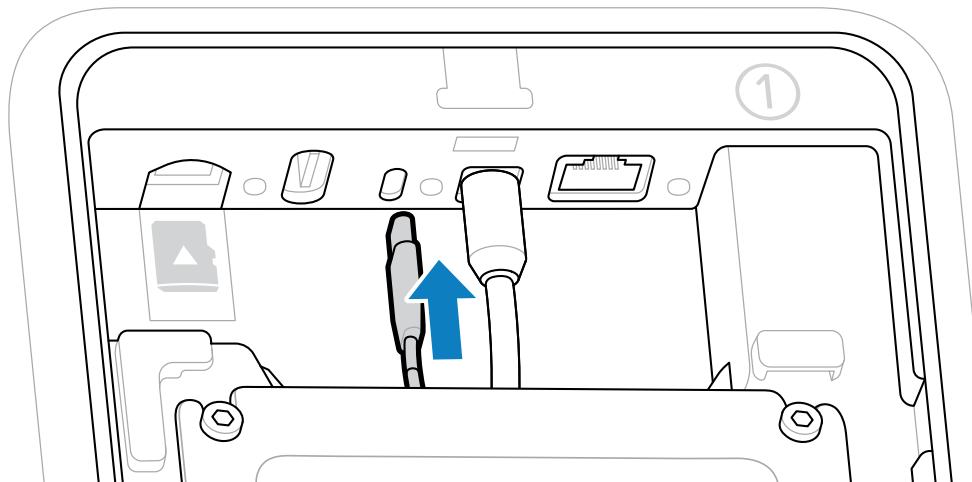
11. Tighten the screws at the top of the KC50 to secure it to the stand.



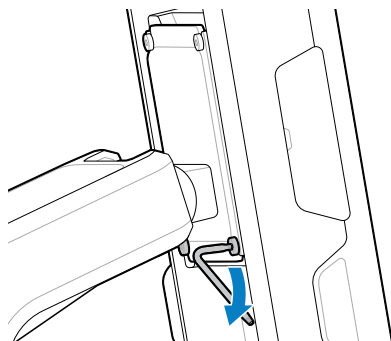
12. Connect the AC power cable to the DC power port on the back of the KC50.



13. Connect the USB-C cable to the USB-C port.

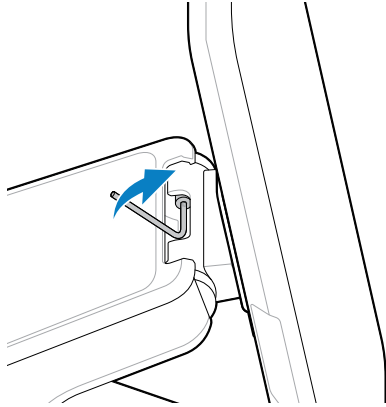


14. Secure the bottom of the KC50 to the VESA mounting plate by attaching the two remaining screws. Rotate the VESA plate up to improve access to the bottom of the KC50.



KC50

15. Connect the DC power cable to an outlet.
16. (Optional) Adjust the two tension screws to increase or decrease the ease with which the VESA plate rotates.

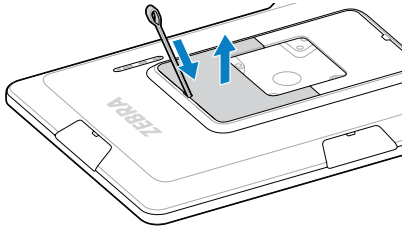


The KC50 is ready for use.

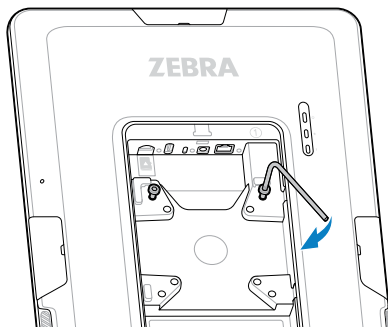
Mounting the TD50

Follow these steps to mount the TD50 onto the stand.

1. Use the removal tool to remove the two covers from the back of the TD50. Set them aside.





2. Loosely screw the top two screws into the 75x75 frame on the back of the TD50.



3. Connect the USB-C cable to the USB-C display port.



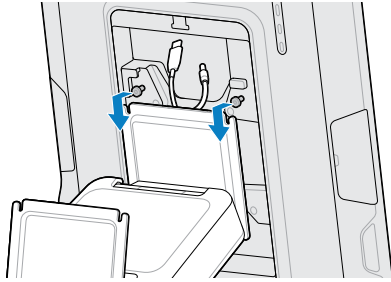
NOTE: to display on the TD50 screen, plug the USB-C cable into the   port.

4. Create a loop of the cable and press it down into the vertical body of the stand.

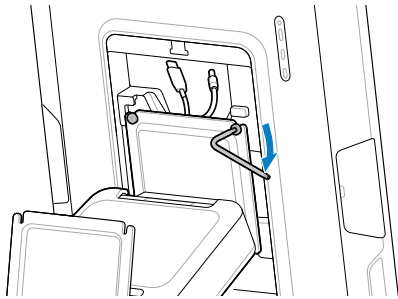
KC50

5. Hang the TD50 on the VESA plate by sliding the two screws into the VESA screw slots.

As you bring the TD50 closer to the stand, pull the excess cable down into the vertical stand body by pressing on the loop you created in Step 5.

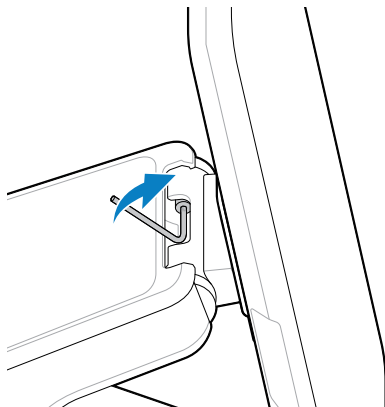


6. Tighten the screws at the top of the TD50 to secure it to the stand.



7. Secure the bottom of the TD50 to the VESA plate by attaching the two remaining screws. Rotate the VESA plate up to improve access to the bottom of the TD50.

8. (Optional) Adjust the two tension screws to increase or decrease the ease with which the VESA plate rotates.



9. Replace the KC50 back covers and stand covers to complete the assembly process.

10. The TD50 is ready for use.

