

User Manual of Product 1:

Acer Aspire 5 A515-56-32DK Slim Laptop - 15.6" Full HD IPS Display - 11th Gen Intel i3-1115G4 Dual Core Processor - 4GB DDR4 - 128GB NVMe SSD - WiFi 6 - Amazon Alexa - Windows 11 Home in S mode.

Cuisinart®

Outdoor Grilling Products

PATIO FIRE PIT TABLE

Model NO: COH-100



DANGER FIRE OR EXPLOSION HAZARD

If you smell gas:

- Shut off gas to the appliance.
- Extinguish any open flame.
- If odor continues, leave the area immediately.
- After leaving the area, call your gas supplier or fire department.

Failure to follow these instructions could result in fire or explosion, which could cause property damage, personal injury, or death.



WARNING

Do not store or use gasoline or other flammable vapors and liquids in the vicinity of this or any other appliance.

An LP-cylinder not connected for use shall not be stored in the vicinity of this or any other appliance.



WARNING

Improper installation, adjustment, alteration, service or maintenance can cause property damage, injury or death.

Read and follow all the warnings, installation, operating and maintenance instructions thoroughly before assembling and using this equipment.

Failure to follow these instructions could result in fire or explosion, which could cause property damage, personal injury or death.



WARNING: For Outdoor Use Only.

Installation and service must be performed by a qualified installer, service agency, or the gas supplier.



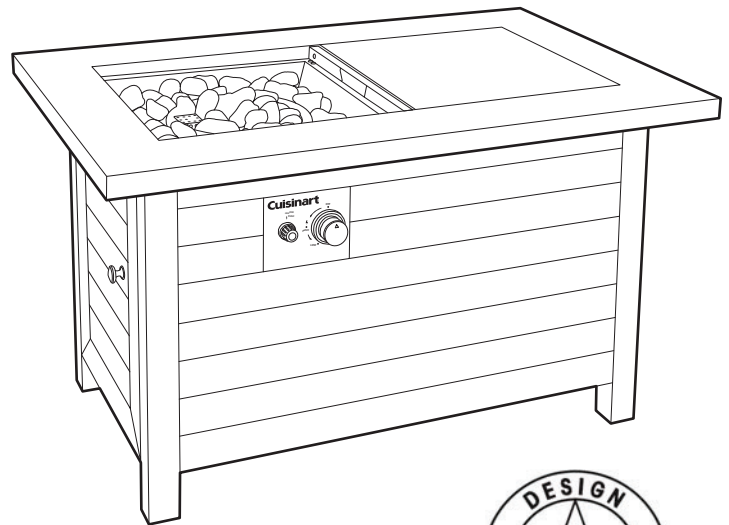
DANGER

CARBON MONOXIDE HAZARD

This appliance can produce carbon monoxide which has no odor.

Using it in an enclosed space can kill you.

Never use this appliance in an enclosed space such as a camper, tent, car or home.



Customer Service Hotline
1-866-994-6390

DO NOT RETURN YOUR PATIO HEATER TO THE STORE

Before visiting your local retailer, call our customer service service department at 1-866-994-6390, or email at grilling@thefulhamgroup.com, from 9:00 am to 5:00 pm Eastern time, Monday through Friday.

INSTALLER: Leave this manual with the appliance.

CONSUMER: Retain this manual for future reference.

CALIFORNIA PROPOSITION 65 WARNING:

- **WARNING:** This product can expose you to lead, which is known to the State of California to cause cancer and birth defects or other reproductive harm. For more information go to www.P65Warnings.ca.gov



TABLE OF CONTENTS

| | |
|-----------------------------|----|
| Product Specifications..... | 2 |
| Safety Information..... | 3 |
| Package Contents..... | 6 |
| Hardware Contents..... | 7 |
| Assembly Instructions..... | 7 |
| Safety Check..... | 15 |
| Lighting Instructions..... | 16 |
| Care and Maintenance..... | 17 |
| Troubleshooting..... | 19 |
| Warranty..... | 20 |
| Replacement Parts list..... | 21 |

Product Specifications

| | |
|--------------------------|--------------------------|
| Certification | CSA |
| Overall Dimension | 41.33x26.77x24.09 inches |
| Rated Heat Input | 40,000 BTU/HR |
| Fuel | Propane-LP |
| Gas Supply | 20-Lb LP-Gas cylinder |
| Manifold Pressure | 11 inches W.C |
| Injector Size (diameter) | 1.95 mm |
| Safety Features | Thermocouple |
| Gas Supply Pressure | Max 150 PSI, Min 5 PSI |

Please call 1-866-994-6390, or email at grilling@thefulhamgroup.com, from 9:00 am to 5:00 pm Eastern time, Monday through Friday, for any assistance.

SAFETY INFORMATION

Please read and understand this entire manual before attempting to assemble, operate or install the product. If you have any questions regarding the product, please call our customer service at 1-866-994-6390 from 9:00 am to 5:00 pm Eastern time, Monday through Friday, for assistance .

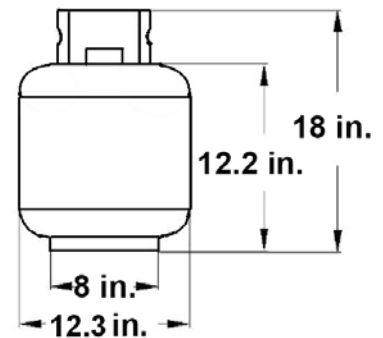
- The installation must conform with local codes or, in the absence of local codes, with the *National Fuel Gas Code, ANSI Z223.1 /NFPA 54, Natural Gas and Propane Installation Code, CSA B149.1, or Propane Storage and Handling Code, B149.2.*
- Minimum clearances from combustible material: Side-48 inches, Rear-48 inches, Ceiling-72 inches.
- THIS UNIT IS INTENDED FOR OUTDOOR USE ONLY! This product shall be used outdoors, in a ventilated space and shall not be used in any enclosed area.
- Do not use this outdoor gas fire table for indoor heating. TOXIC carbon monoxide fumes can accumulate and cause death.
- This unit is to be used with propane gas only! (sold separately).
- Never leave this unit unattended while in use.
- Converting this unit to natural gas is dangerous and not recommended. The conversion of this unit will void the manufacturer warranty.
- Place the propane hose with regulator assembly out of pathways where people may trip over it or in areas where the hose will not be subjected to accidental damage.
- Materials or items when stored under the fire table will be subjected to intense heat and could be seriously damaged.
- Clothing or other flammable materials should not be hung on the fire table, or placed on, under or near the unit.
- Children and adults should be alerted to the hazards of high surface temperatures and should stay away to avoid burns or clothing ignition.
- Young children should be carefully supervised when they are in the area of this unit.
- Any guard or other protective device removed for servicing the fire table must be replaced prior to operating the fire table.
- Installation and repair should be done by qualified service person. This unit should be inspected before use and at least annual by a qualified service person.
- More frequent cleaning may be required as necessary. It is imperative that the control compartment, burners and circulating air passageways of the fire table to kept clean.
- Keep the appliance area clear and free from combustible materials, gasoline and other flammable vapors and liquids.
- Do not obstruct the flow of combustion and ventilation air.
- Solid fuels or Charcoals shall not be burned in this unit.
- This unit is not intended for cooking.
- Do not add water into the unit.
- Keep away from the unit for the first 20 minutes after igniting your unit for the first time, as the rocks could pop out and cause injury. Should any rocks pop out, discard them.
- Do not light or use the gas unit if rocks are wet. Ensure rocks are completely dry before lighting as intense heat could cause the rocks to crack. Failure to do so could hit somebody's face or eyes during the initial start of this unit.

SAFETY INFORMATION

- Keep the ventilation opening(s) of the cylinder enclosure free and clear from debris. Use this appliance in a well-ventilated space only. Do not use it in a building, garage, or any other enclosed area.
- Use this appliance in outdoor areas described below:
 - With walls on all sides, but at least one permanent opening at ground level and no overhead cover.
 - Within a partial enclosure that includes overhead cover and no more than two walls. These walls may be parallel, or at right angles to each other.
- The following shall apply:
- One wall that is equivalent to at least 25% of the total wall area is completely open.
- 30% or more in total of the remaining wall area is open and unrestricted.
- This fire table is designed for use with a 20 lb. liquid propane gas (LP) tank. The LP-gas supply cylinder to be used must be:

- Constructed and marked in accordance with the Specifications for LP-gas cylinders of the U.S. Department of Transportation of Dangerous Goods and Commission, CAN/CSA-B339, as applicable; Provided with a listed overfilling prevention device; and Provided with a cylinder connection device compatible with the connection for the appliance.

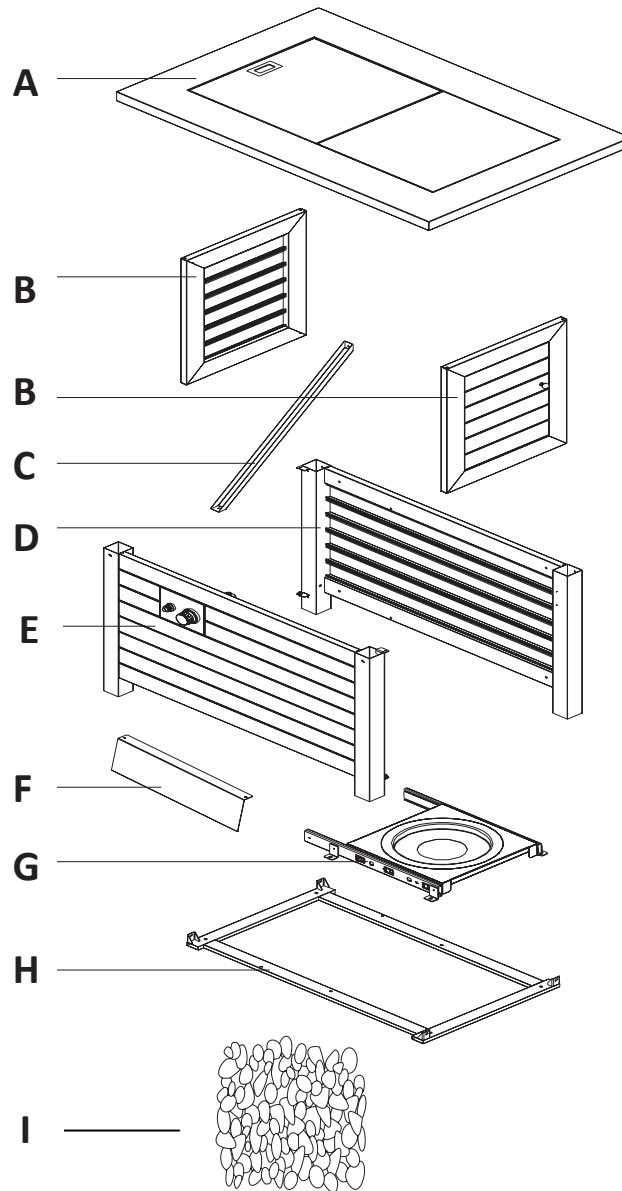
- If the propane gas tank is leaking gas, you may hear, see, or smell a hiss. Do the following:
 - Disconnect the propane gas tank.
 - Do not attempt to fix the problem yourself.
 - Contact your gas supplier or fire department for help.
 - A leak test should always be performed after attaching the connection to the LP gas cylinder service valve.
- Disconnect the cylinder when the appliance is not in use.
- Check for leaks after not using the unit for long period of time.
- Storage of an appliance indoors is permissible only if the cylinder is disconnected and removed from the appliance.
- Store the cylinder outdoors in a well-ventilated area (not in a building, garage, or other enclosed area) out of the reach of children.
- The cylinder used must include a collar to protect the cylinder valve.
- Do not store a spare or disconnected liquid propane cylinder under or near this unit.
- Never fill the cylinder beyond 80% full.
- Place the dust cap tightly on the cylinder valve outlet whenever the cylinder is not in use. Install only the type of dust cap on the cylinder valve that is provided with the cylinder valve. Other types of caps or plugs may result in a propane leak.
- Inspect the visible portion of the hose before each use of the appliance.



SAFETY INFORMATION

- Every part of the unit shall be secure against displacement and shall be constructed to maintain a fixed relationship between essential parts under normal and reasonable conditions of handling and usage. Parts not permanently secured shall be designed so they cannot be incorrectly assembled and cannot be improperly located or misaligned in removing or replacing during cleaning or other servicing.
- Do not use this unit if any part has been under water. Immediately call a qualified service technician to inspect the appliance and to replace any part of the control system and any gas control that has been under water.
- Never let the regulator & hose assembly touch with the ground when it is disconnected. Make sure the regulator & hose assembly place onto the hook when not in use.
- Certain areas of this outdoor fire table when in use will become too hot to touch. Do not touch hot surfaces until the unit has cooled unless you are wearing protective gear such as insulated pot holders or heat resistant gloves or mittens to avoid burns.
- Remove the PVC cover from the unit before attempting the operating.
- Always use this outdoor fire table on a hard, level non-combustible surface such a concrete, rock or stone. An asphalt or blacktop surface may not be acceptable for this purpose. Surfaces such as dirt and grass may prevent the unit from having proper ventilation.
- DO NOT use this outdoor fire table until it is COMPLETELY assembled and all parts are securely fastened and tightened.
- DO NOT use this outdoor fire table near automobiles, trucks, vans or recreational vehicles.
- DO NOT use this outdoor fire table under any overhead structure combustible constructions. Avoid using near or under overhanging trees and shrubs.
- The use of alcohol, prescription or non-prescription drugs may impair an individual's ability to properly assemble or safely operate this outdoor fire table.
- **CALIFORNIA PROPOSITION 65 WARNING:**
 - (a) Combustion by-products produced when using this product contain chemicals known to the State of California to cause cancer and birth defects or other reproductive harm.
 - (b) Handling the brass material on this product exposes you to lead, a chemical known to the State of California to cause cancer and birth defects or other reproductive harm. Wash hands after handling.
 - (c) This product contains chemicals, including lead and lead compounds, known by the State of California to cause cancer, reproductive harm, or other birth defects.
 - (d) **Wash your hands after using this product.**

PACKAGE CONTENTS


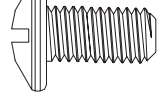

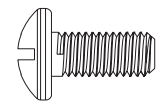





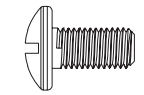


PARTS LIST

| PART | DESCRIPTION | QUANTITY |
|------|-------------|----------|
| A | Table Top | 1 |
| B | Door | 2 |
| C | Beam | 1 |
| D | Rear Panel | 1 |
| E | Front Panel | 1 |

| PART | DESCRIPTION | QUANTITY |
|------|-------------|----------|
| F | Tank Baffle | 1 |
| G | Tank Holder | 1 |
| H | Base | 1 |
| I | Rocks | 16.5 lbs |

HARDWARE CONTENTS

| | | | |
|---|-------------|--|-----|
|  | M6×16 Bolt |  | ×10 |
|  | M5× 8 Bolt |  | ×6 |
|  | Door Handle |  | ×2 |
|  | AAA-Battery |  | ×1 |
|  | M4×8 Bolt |  | ×6 |

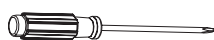
ASSEMBLY INSTRUCTIONS

Before beginning assembly of product, make sure all parts are present and compare parts with package contents list. If any part is missing or damaged, do not attempt to assemble the product.

This fire table is very heavy, make sure that there are two people to move it or flip it over.

Estimated Assembly Time: 45 minutes by two people

Tools required: Magnetic Head Phillips Screwdriver (Not included)



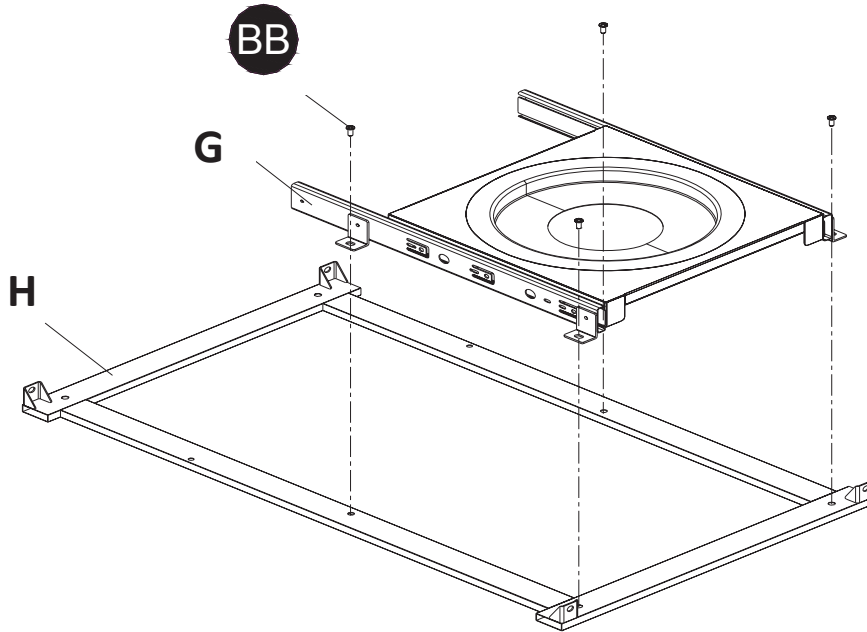
1 pc

ASSEMBLY INSTRUCTIONS

STEP 1

Install the Tank Holder (G) to the Base (H) using 4pcs BB.

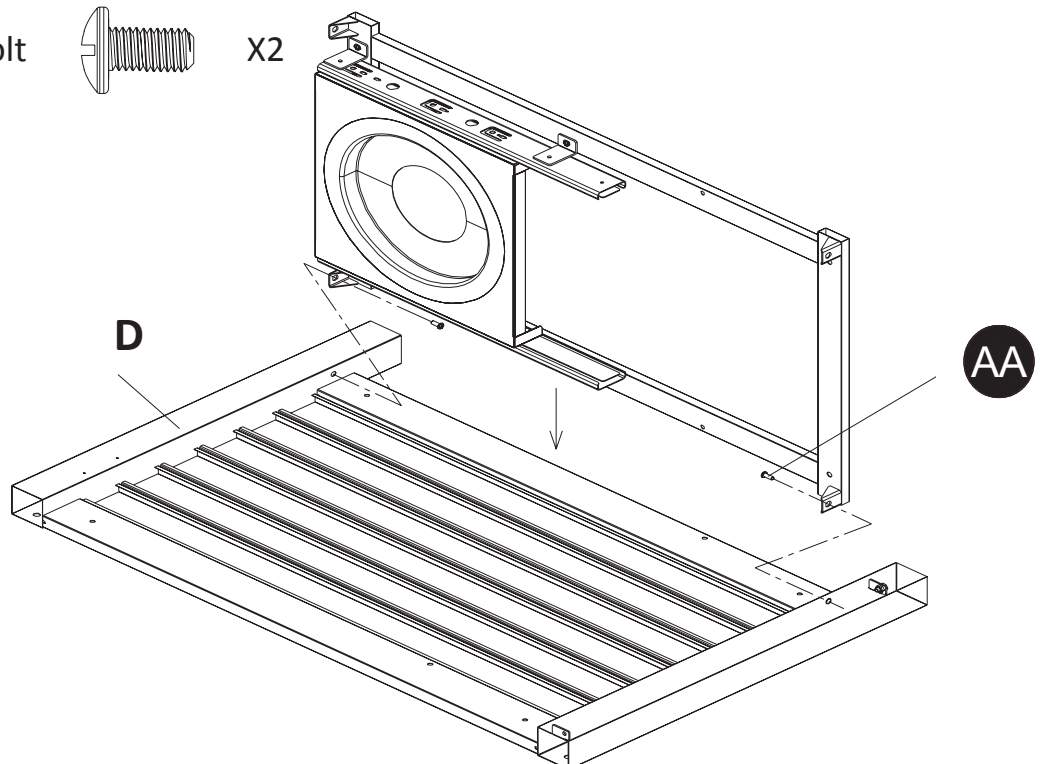
BB M5 X 8 Bolt  X 4



STEP 2

Lay down the Rear Panel (D), and then attach the Base assembly using 2pcs AA.

AA M6X16 Bolt  X2

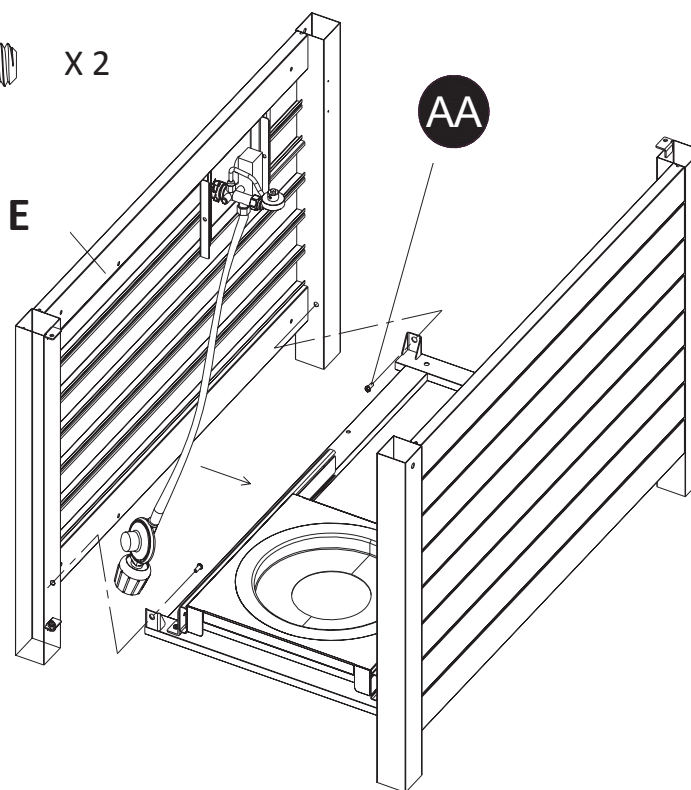
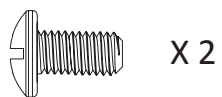


ASSEMBLY INSTRUCTIONS

STEP 3

Install the Front Panel (E) to the Base using 2pcs AA.

AA M6 X 16 Bolt

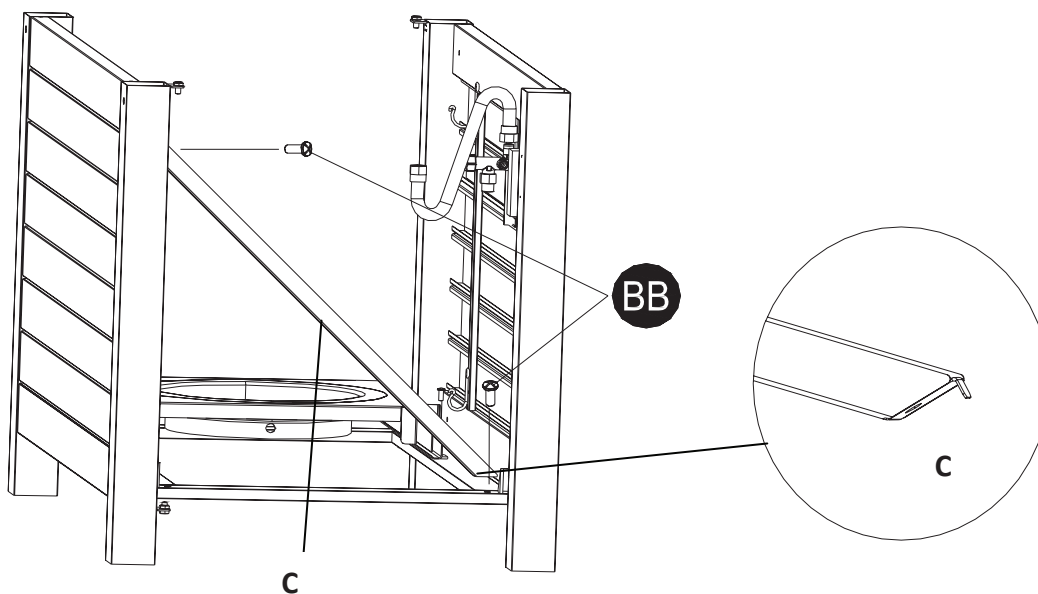
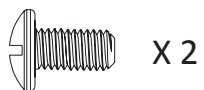


STEP 4

Install the Beam (C) using 2pcs BB.

TIP: The end with the small metal piece must be installed downwards.

BB M5 X 8 Bolt



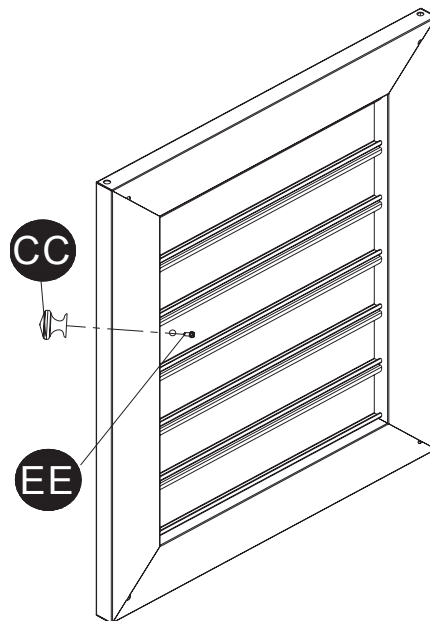
ASSEMBLY INSTRUCTIONS

STEP 5

Install the Door Handles (CC) to each door using 2pcs EE.

CC Door Handle  X 2

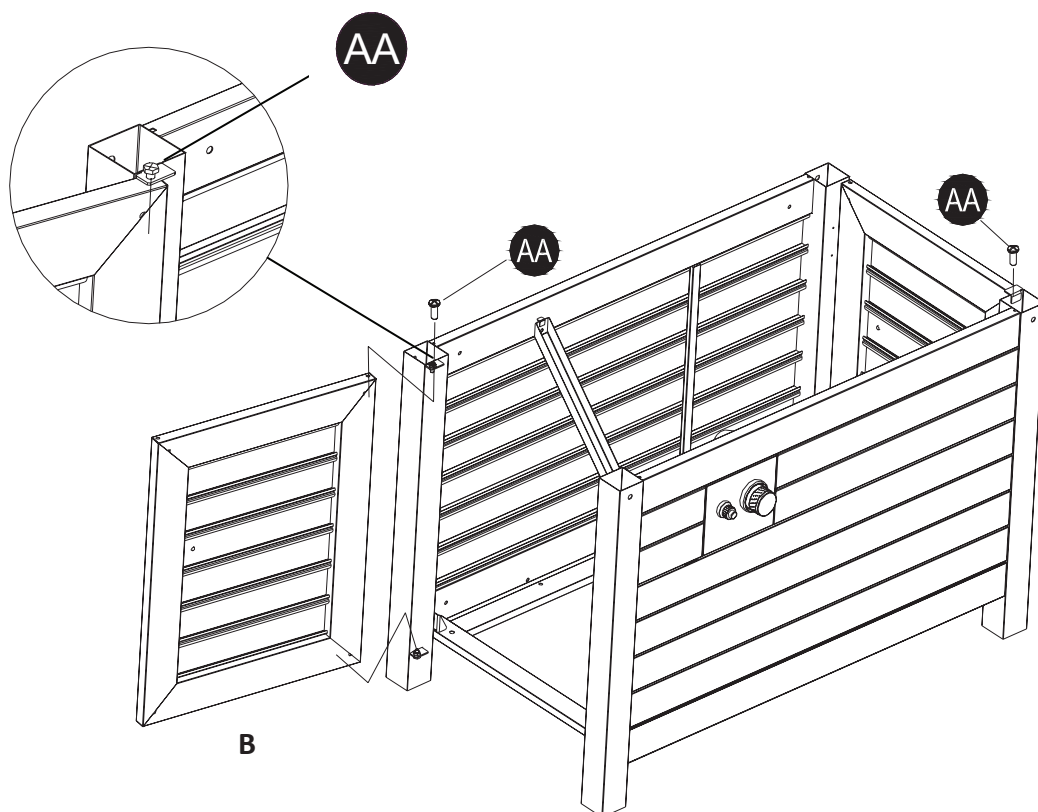
EE M4 X 8 Bolt  X 2



STEP 6

Position the Doors (B) to the door posts of front and rear panel as shown. Then fasten 2 AA from top. Repeat the same procedure for the other door as well.

AA M6 X 16 Bolt  X 2

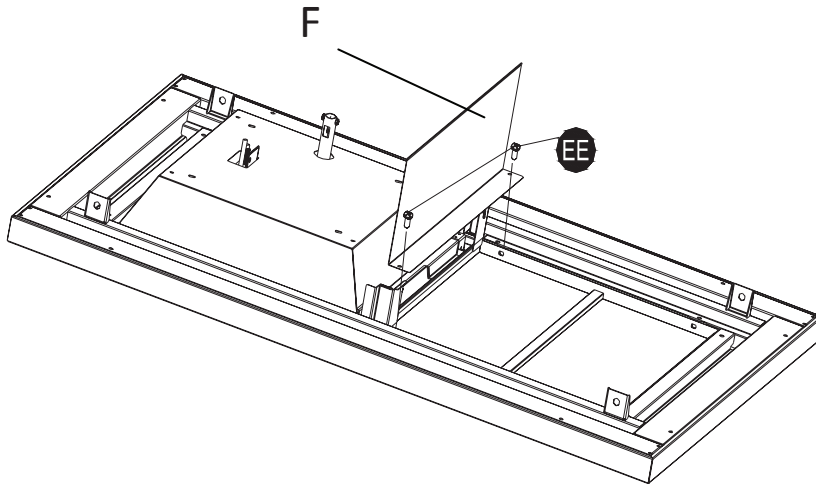


ASSEMBLY INSTRUCTIONS

STEP 7

Install the Cylinder Baffle (F) using 2pcs EE.

EE M4 X 8 Bolt  X 2

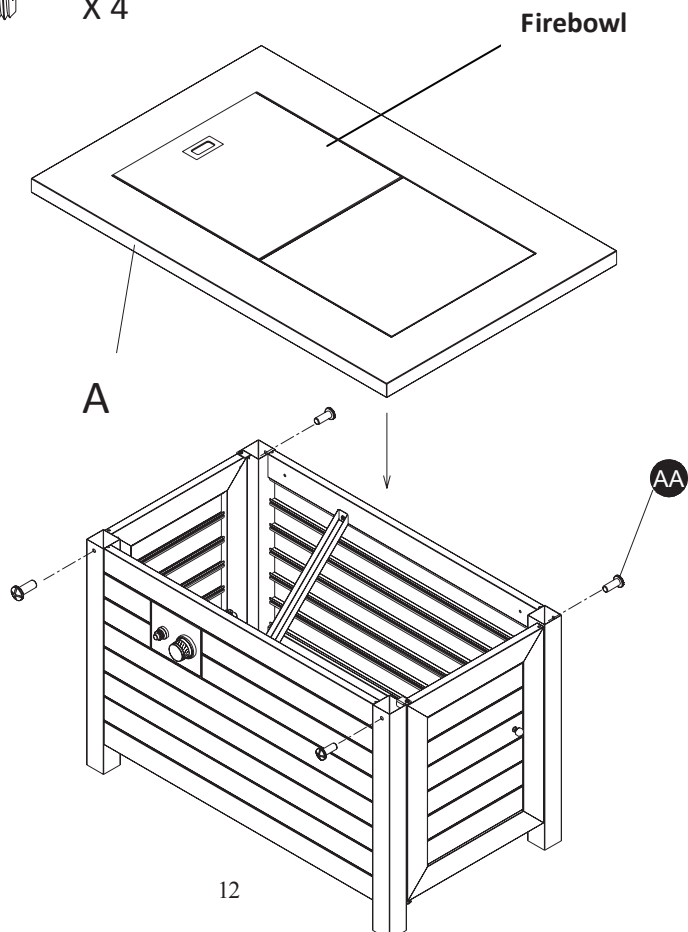


STEP 8

Place the Table (A) onto the base and fasten 4pcs AA.

TIP: The Fire bowl should be sitting at the same side with the control panel.

AA M6 X 16 Bolt  X 4



ASSEMBLY INSTRUCTIONS

STEP 9

TIP: Using two people, lift carefully and keep the unit in an upright position onto the floor. This will help you proceed through this step much easier. Before doing this, hold the burner lid in place to avoid dropping.

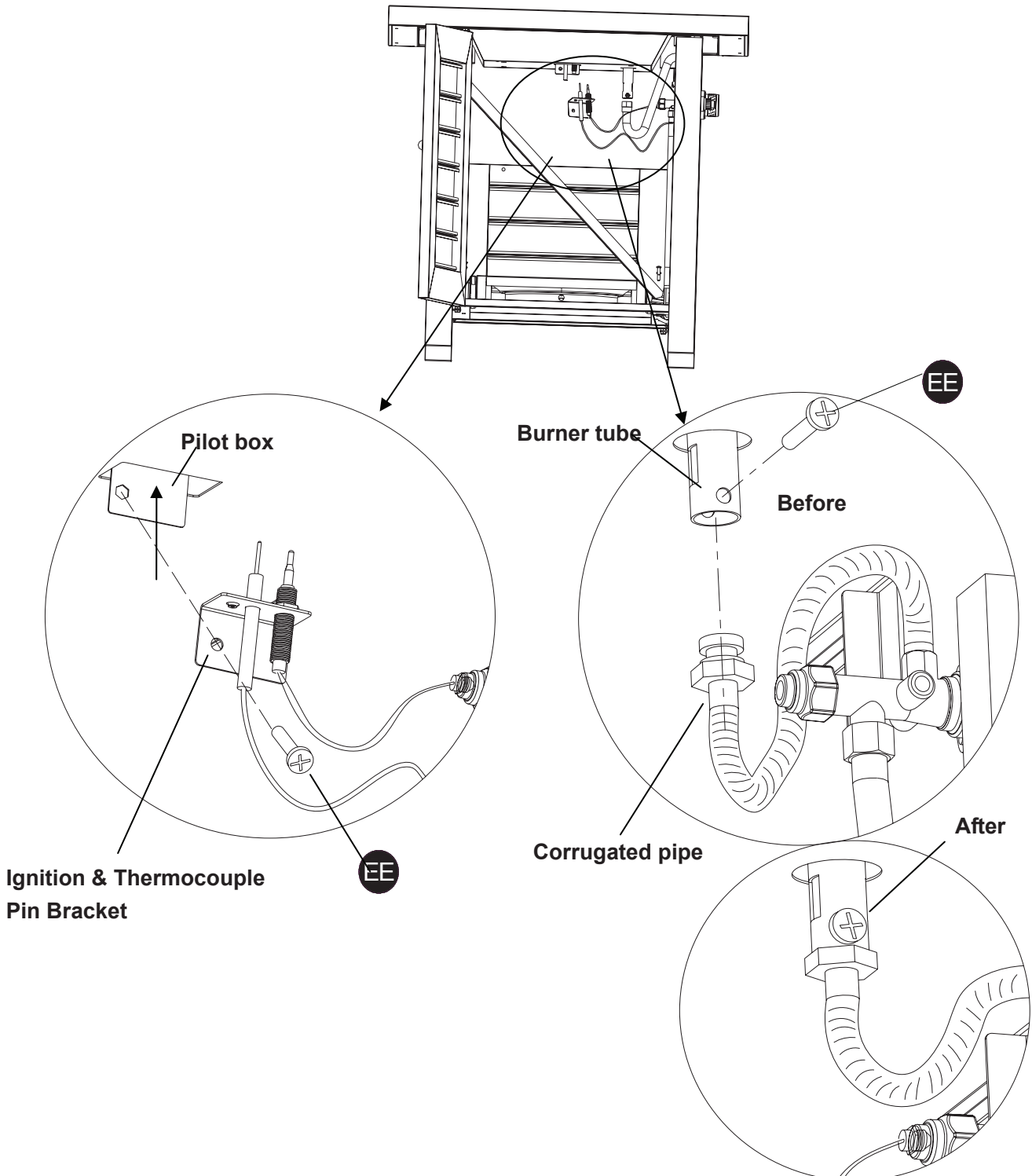
1. Install the ignition and Thermocouple Pin Bracket to Pilot Box using 1pc EE.
2. Insert corrugated pipe to burner tube completely to the end and fasten 1pc EE.



M4 X 8 Bolt



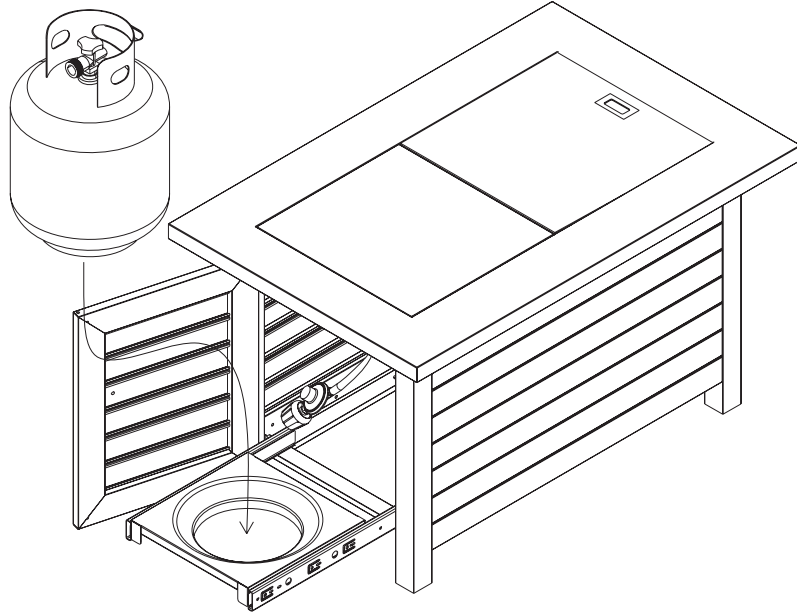
X 2



STEP 10

Install the tank

Open the door and pull out the Tank Holder. Place a 20lb. propane gas tank (not included) into the tank holder.

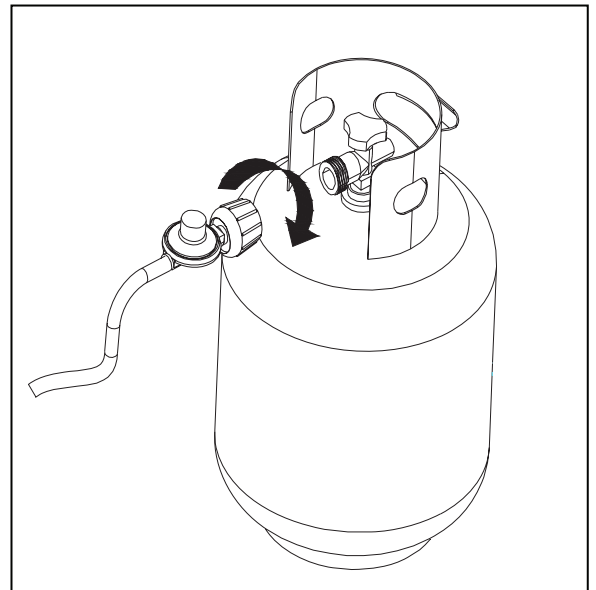


STEP 11

Connect the tank

Connect Hose and Regulator Assembly to 20lb. LP-Gas cylinder (sold separately). Line up threads with those on regulator and rotate clockwise until tight by **HAND ONLY**. **DO NOT USE ANY HAND TOOLS TO MAKE THIS CONNECTION.** Be careful not to cross threads when screwing in fitting.

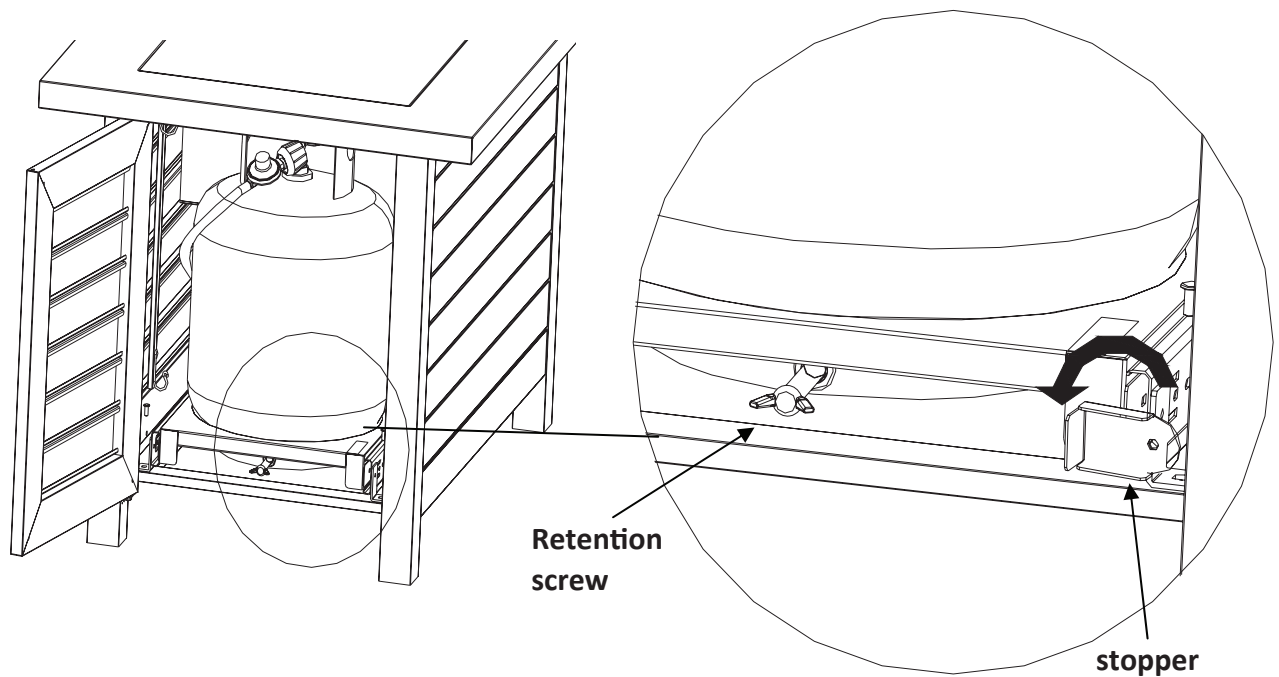
To disconnect the LP-Gas cylinder, first make sure the cylinder valve is OFF. Then, turn the knob regulator counter-clockwise until it is loose.



Warning: Before connecting, be sure that there is no debris caught in the head of the LP gas cylinder head of the regulator valve or in the head of the burner and burner ports. Check for leaks after connecting the gas cylinder every time according to the “Checking for Leaks” section on page 15. Close the gas cylinder lid when burner is in operation.

STEP 12

Tighten the retention screw in front of the tank tray to secure the tank. Push the tank holder to the end and lock it by turning the stopper back counter-clockwise

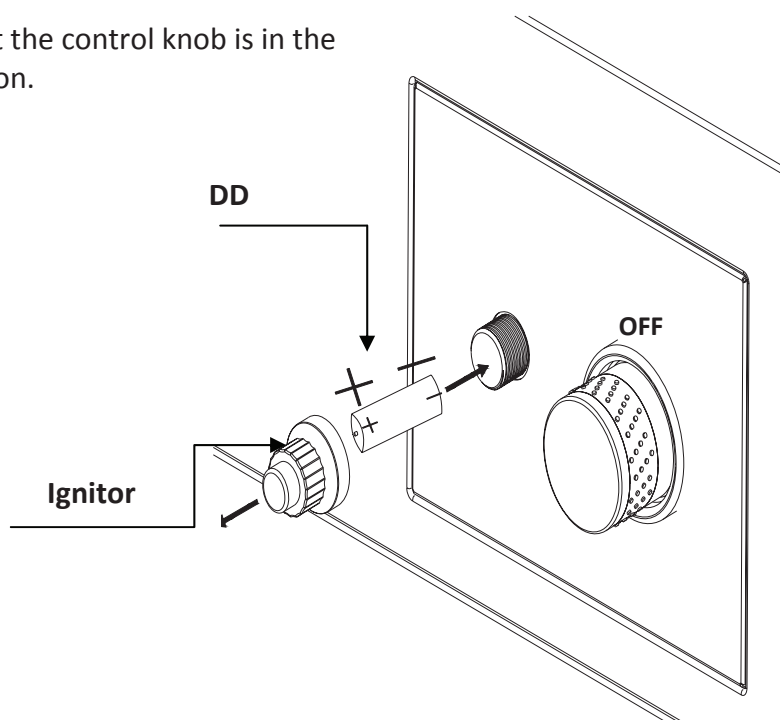


STEP 13

Install the Battery

To install the battery (DD), unscrew the igniter cap counter-clockwise. Insert the battery into the igniter and ensure the positive "+" end faces outward. Then replace the igniter cap.

Check that the control knob is in the **OFF** position.

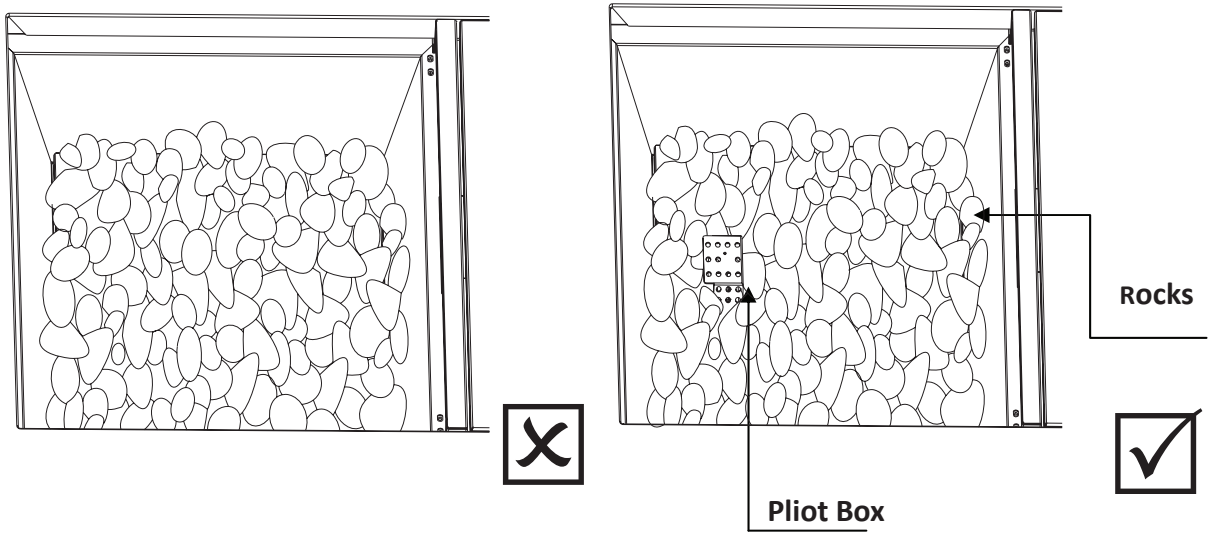


STEP 14

Place Rocks

⚠ CAUTION: DO NOT dump rocks out of Packaging. Carefully place rocks by hands so dust does not clog burner.

⚠ CAUTION: Do not cover the pilot box with rocks. Always keep the pilot box visible.



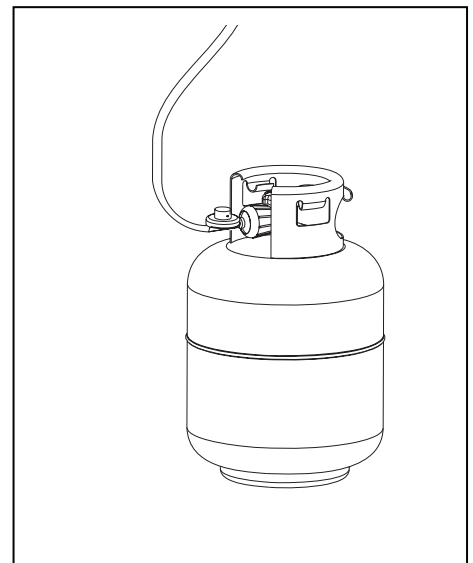
SAFETY CHECK

Check for leaks

Before performing a leak test, be sure that no sparks can occur and you are in a spacious outdoor area. Connect the propane gas tank to the regulator and turn the valve on the unit to the OFF position.

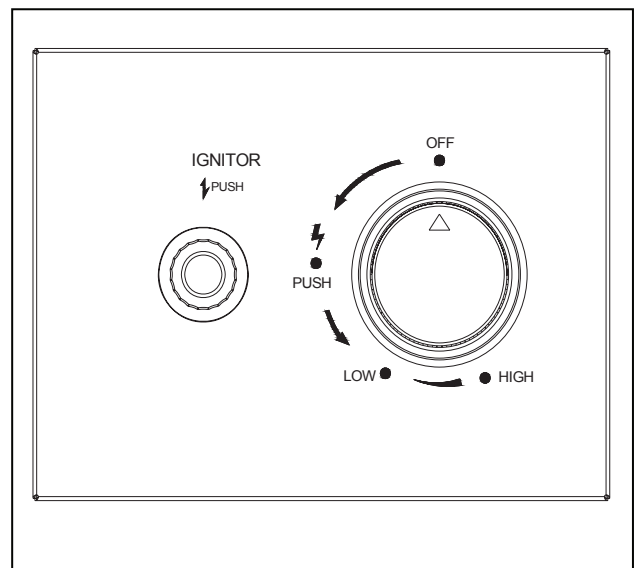
To check the connection at the gas hose/regulator/cylinder:

- a. Make leakage solution by mixing 1 part liquid dish soap and 3 part water.
- b. Spoon or brush several drops (or use squirt bottle) of the solution onto the gas hose/regulator and regulator/cylinder and hose connection.
- c. Turn on gas cylinder valve. Inspect the connections and look for bubbles.
- d. If no bubbles appear, the connection is safe.
- e. If bubbles appear, there is leakage. Loosen and re-tighten this connection. If it still leaks, please call customer service at: 1-866-994-6390.



LIGHTING INSTRUCTIONS

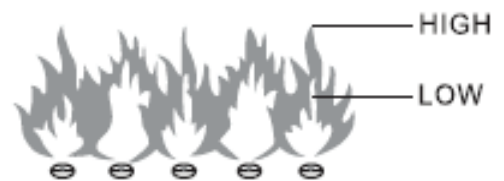
1. Check the control knob is in the **OFF** position.
2. Turn on the LP tank valve slowly.
3. Press and hold the IGNITOR button to create sparks and then push control knob in and rotate to **PUSH**. Once burner is lit, continue to hold the control knob for 30 seconds. Then the burner should stay lit.
4. If the burner fails to stay lit or becomes extinguished in 30 seconds, turn the control knob to **OFF**, wait 5 minutes for gas to clear and then repeat step 3.
5. To desired heating level rotate knob from **LOW** to **HIGH**.
6. To turn off, turn the knob to **PUSH** first, then push in and turn to **OFF**. Turn off the gas tank valve before disconnecting the LP gas tank.



Note:

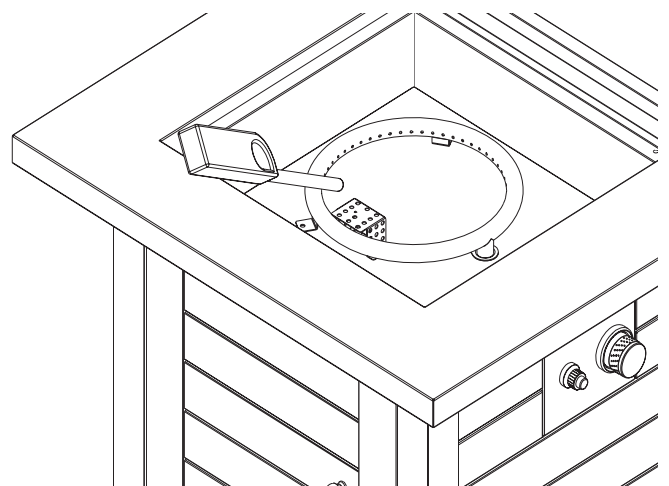
Visually check the burner flame against the illustrations:
Flame should be blue with slight yellow tips.

You should see a smaller flame in LOW position than seen on HIGH. Perform flame check prior to each use. If only low flame is seen, refer to "Burner flame is low" in the "TROUBLESHOOTING" on page 19.



USING A LONG MATCH/LIGHTER TO LIGHT

1. Check the control knob is in the OFF.
2. Position a long lit match or lighter close to the Pilot box.
3. Push control knob in and rotate to **PUSH**.
The burner should lit within 5 seconds
4. If the burner fails to stay lit or becomes extinguished, turn the burner control knob to **OFF**, wait 5 minutes for gas to clear and then repeat step 3.



NOTE: If the burner does not ignite within the first few attempts of match/Lighter lighting, there is a problem with the gas supply. Turn off the gas at the burner and tank. **DO NOT** attempt to operate the unit until the problem is found and corrected. Please call the customer service department at 1-866-994-6390 from 9:00am to 5:00pm Eastern Time, Monday through Friday for assistance.

Cleaning

- Abrasive cleaners will damage this product.
- Never use oven cleaner to clean any part of fire table.
- Do not clean any fire table part in a self-cleaning oven. The extreme heat will damage the finish.
- More frequent cleaning may be required as necessary. It is imperative that control compartment, burners and circulating air passageways of the fire table be kept clean.
- Spiders and insects can create a dangerous condition that may damage fire table or make it unsafe. Keep burner area clean of all spiders, webs or insects. Clean burner holes by using a heavy-duty pipe cleaner. Compressed air may help clear away smaller particles.
- Carbon deposits may create a fire hazard.
- Do not clean fire table with combustible or corrosive cleaners. Use warm, soapy water.
- This fire table should be thoroughly cleaned on a regular basis.
- Wipe surfaces clean with mild dish detergent or baking soda. Rinse clean with water.
- For stubborn surfaces use a citrus-based degreaser and a nylon scrubbing brush.
- After the burner and rocks are completely cooled down, use a soft brush to get rid of the mild stains, loose dirt and soil. Wipe with a soft cloth.
- Stubborn stains, discoloration and possible rust pitting can occur from exposure to harsh outdoor conditions.
- Be careful not to let any powder or solvent come in contact with painted or plastic components as damage may occur.

Note: While cleaning the unit, be sure to keep the area around the burner dry at all times. Do not submerge the control valve assembly. If the gas control is submerged in water, do NOT use it. It must be replaced.

Maintenance

- Keep exterior surfaces clean.
- Store the fire table in a cool dry place away from direct sunlight.
- Make sure to disconnect the propane cylinder and the fire table is turned off before changing the battery. Please refer to the process of inserting battery.
- The propane cylinder must be disconnected and stored outdoors before the fire table can be stored indoors.
- Use Manufacturer approved or supplied replacement parts and accessories only. Otherwise may void the warranty of this product and result in a hazardous condition.
- Please contact the Manufacturer for information regarding replacement, valves, ignitor, regulator etc.
- Air flow must be unobstructed. Keep controls, burner and circulating air passageways clean.
 - Signs of possible blockage include:
 - Gas odor with extreme yellow tipping of flame.
 - This unit does NOT reach the desired temperature.
 - This unit glow is excessively uneven.
 - This unit makes popping noises.

Note: In a salt-air environment (such as near an ocean) corrosion occurs more quickly than normal. Frequently check for corroded areas and repair them promptly.

Inspecting

This outdoor fire table must be inspected regularly to insure that the product is safe to use and to extend product life.

WARNING: DO NOT inspect this gas fire table until the fire is completely out.

- Check the burner to make sure it is securely in place.
- Check the Venturi tube to make sure it is clear and free of insects, spider nests and other debris.
- Check all gas connections for leaks.
- Check ignition system to insure proper sparking.
- Check components for any signs of damage, rust or excessive wear.
- If damage to any component is detected, DO NOT operate until the proper repairs have been made.

Storage

CAUTION: Wait until the fire is out and the rocks are cool down before covering.

Between uses or during periods of extended inactivity:

- Turn control knob to "OFF".
- Disconnect LP cylinder and move to a secure, well-ventilated location outdoors.
- Carefully remove rock filler and store components flat to protect them from breakage.
- Store in a cool, dry location away from children and pets.
- ALWAYS cover your outdoor fire table when not in use with the PVC cover(not included).
- Note: Never leave LP gas tank exposed to direct sunlight or excessive heat.
- If desired, use cover (sold separately) to protect the fire table and help prevent buildup in air passages.

| Problem | Possible Cause | Corrective Action |
|---------------------|---|--|
| Burner won't light | Gas pressure is low. | Turn tank valve "OFF" and replace the tank. |
| | The orifice is blocked. | Clear blockage. |
| | Control knob is not in "High" position. | Turn control knob to "ON" |
| | Igniter battery is dead or backwards. | Check that the AAA battery is inserted correctly in the igniter (see page 8) or replace the battery. |
| Burner flame is low | Gas pressure is low. | Turn tank valve "OFF" and replace the tank. |
| | The control knob is not positioned at "High". | Position the control knob at "High" |
| | The burner jet may be partially blocked. | Clear blockage. |
| | Outdoor temperature is less than 40°F and tank is less than 1/4 full. | Use a full tank. |
| | Supply hose is bent or kinked. | Straighten the hose. |
| Carbon build-up | Build-up of carbon can accumulate over time. | Wipe off before lighting. |
| Thick black smoke | Blockage in burner | Remove blockage and clean burner inside and outside. |

If these troubleshooting steps are unable to resolve the problem, please call customer service department at 1-866-994-6390 from 9:00 am to 5:00 pm Eastern time, Monday through Friday, for assistance.

PROOF OF PURCHASE is required to access this warranty program, which is in effect from the date of purchase. Customers will be subject to parts, shipping, and handling fees if unable to provide proof of the purchase or after the warranty has expired.

If you have any questions or problems, you can call our customer service department at 1-866-994-6390 from 9:00 am to 5:00 pm Eastern time, Monday through Friday, for assistance.

WARRANTY PROVISIONS

Manufacturer warrants this product for one (1) year from the date of purchase.

This warranty is non-transferable and does not cover failures due to misuse of improper installation or maintenance.

This warranty is for replacement of defective parts only. We are not responsible for incidental or consequential damages or labor costs.

This warranty does not cover corrosion or discoloration after the unit is used, or lack of maintenance, hostile environment, accidents, alterations, abuse or neglect.

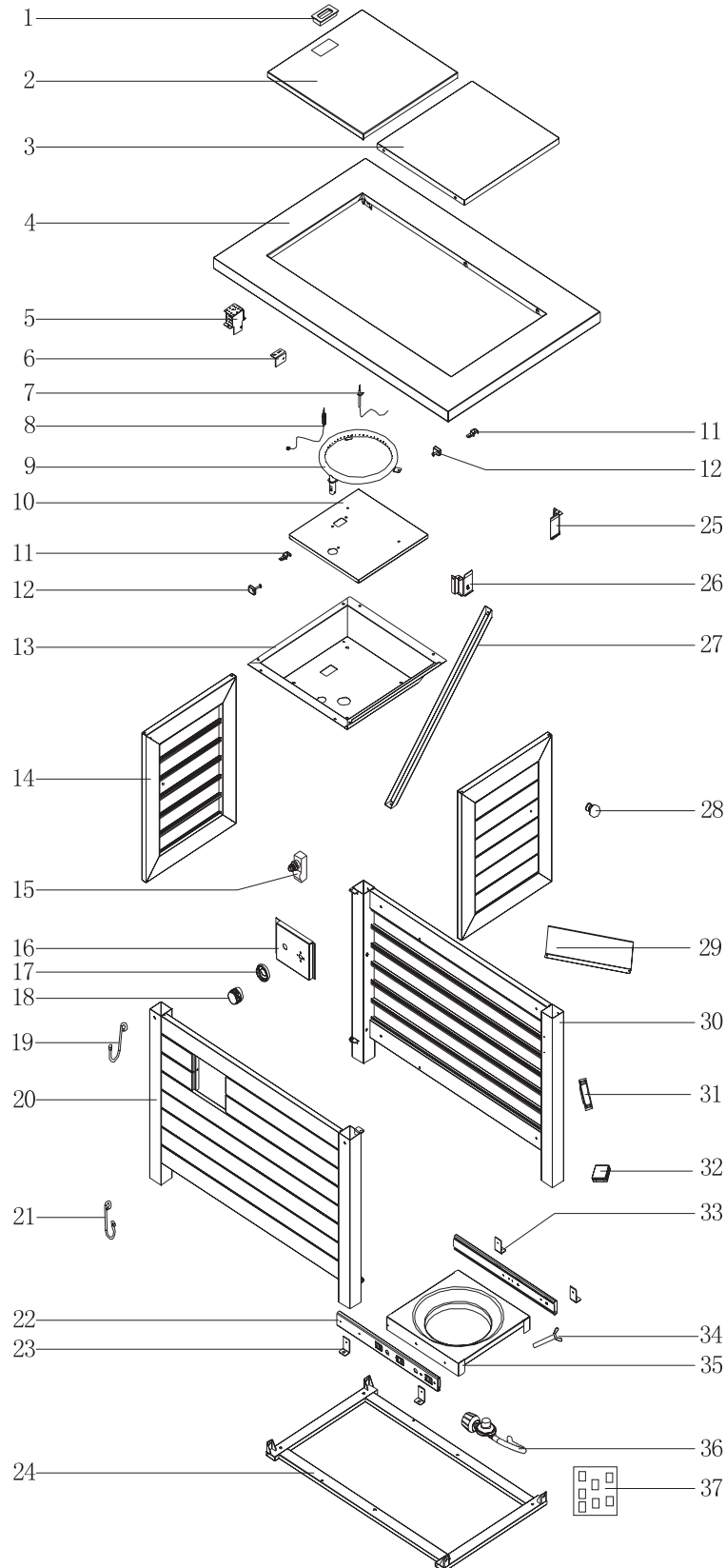
This warranty does not cover damage caused by heat, abrasive and chemical cleaners, or any damage to other components used in the installation or operation of the unit.

Paint is not warranted and may require touch-up. Items considered to be consumable such as batteries are not covered under this warranty.

Some states do not allow the limitation or exclusion of incidental or consequential damages, so the above limitations or exclusions may not apply to you. This warranty gives you specific legal rights, and you may also have other rights that vary from state to state.

REPLACEMENT PARTS LIST

For replacement parts, call out customer service department at 1-866-994-6390, or email at grilling@thefulhamgroup.com from 9:00 am to 5:00 pm Eastern time, Monday through Friday.



REPLACEMENT PARTS LIST

| PART | DESCRIPTION | PART# |
|------|-------------------------------------|-------------|
| 1 | Lid Handle | 100OH-20100 |
| 2 | Burner Lid | 100OH-20101 |
| 3 | Tank Fixed Lid | 100OH-20102 |
| 4 | Table | 100OH-20103 |
| 5 | Pilot Box | 100OH-20104 |
| 6 | Ignition & Thermocouple Pin Bracket | 100OH-20105 |
| 7 | Ignition Pin | 100OH-20106 |
| 8 | Thermocouple | 100OH-20107 |
| 9 | Burner | 100OH-20108 |
| 10 | Thermal Baffle | 100OH-20109 |
| 11 | Sliding Block Fixed Support | 100OH-20110 |
| 12 | Sliding Block | 100OH-20111 |
| 13 | Fire Bowl | 100OH-20112 |
| 14 | Door | 100OH-20113 |
| 15 | Igniter | 100OH-20114 |
| 16 | Control Panel | 100OH-20115 |
| 17 | Knob Bezel | 100OH-20116 |
| 18 | Knob | 100OH-20117 |

| PART | DESCRIPTION | PART# |
|------|---------------------------|-------------|
| 19 | Regulator Clip Hook | 100OH-20118 |
| 20 | Front Panel | 100OH-20119 |
| 21 | Hose Clip Hook | 100OH-20120 |
| 22 | Slide Way | 100OH-20121 |
| 23 | Tank Position Bracket | 100OH-20122 |
| 24 | Base | 100OH-20123 |
| 25 | Guide Plate A | 100OH-20124 |
| 26 | Guide Plate A | 100OH-20125 |
| 27 | Beam | 100OH-20126 |
| 28 | Door Handle | 100OH-20127 |
| 29 | Tank Baffle | 100OH-20128 |
| 30 | Rear Panel | 100OH-20129 |
| 31 | Magnet | 100OH-20130 |
| 32 | Pipe Plug | 100OH-20131 |
| 33 | Slide Way Bracket | 100OH-20132 |
| 34 | Retention Screw | 100OH-20133 |
| 35 | Tank Tray | 100OH-20134 |
| 36 | Regulator & Hose Assembly | 100OH-20135 |
| 37 | Hardware Pack | 100OH-20136 |

Model # COH-100
 North American Distributer:
 The Fulham Group
 Newton, MA. 02466
 1-866-994-6390
grilling@thefulhamgroup.com