

GTD48EASWWB

GE® 7.2 cu. ft. Capacity Electric Dryer with up to 120 ft. Venting and Extended Tumble

DIMENSIONS AND INSTALLATION INFORMATION (IN INCHES)

ELECTRIC DRYER RATING:			
240V	5600W	24A	60Hz
208V	4400W	22A	60Hz

EXHAUST OPTIONS: 4-way rear, right, left and bottom.

CIRCUIT REQUIREMENTS: An individual, properly-grounded branch circuit, protected by a 30-amp circuit breaker or a time-delay fuse, is required.

NOTE: Dryer wall outlet must be located within 36" of service cord entry and accessible when dryer is mounted in position.

INSTALLATION INFORMATION: For complete information, see installation instructions packed with your dryer.

SPECIAL INSTALLATION REQUIREMENTS

ALCOVE OR CLOSET INSTALLATION:

If your dryer is approved for installation in an alcove or closet, it will be stated on a label on the dryer back.

- The dryer MUST be exhausted to the outside.
- Minimum clearances between dryer cabinet and adjacent walls or other surfaces are: 0" either side; 1" front, top and rear.
- Closet doors must be louvered or otherwise ventilated and must contain a minimum of 60 sq. in. of open area equally distributed. If this closet contains both a washer and a dryer, doors must contain a minimum of 120 sq. in. of open area equally distributed.
- No other fuel-burning appliance shall be installed in the same closet with a gas dryer.

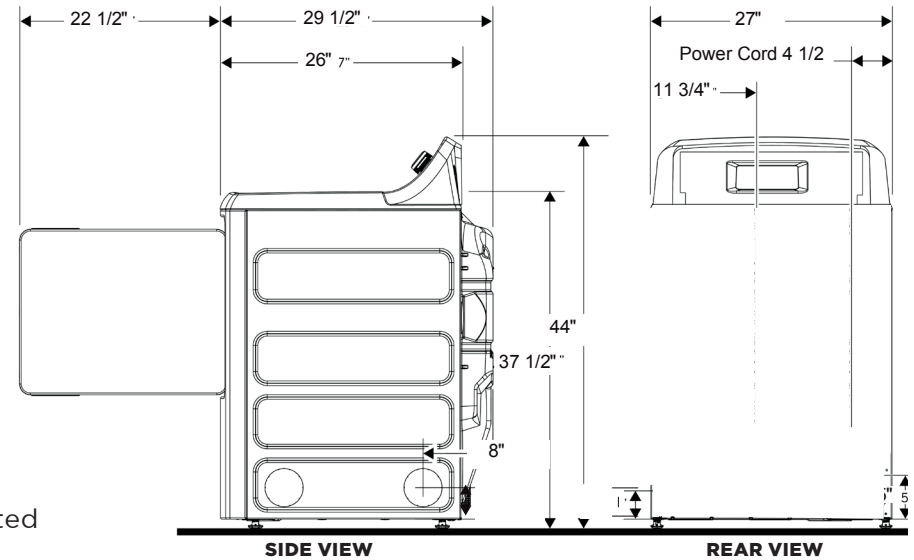
BATHROOM OR BEDROOM INSTALLATION

- The dryer MUST be exhausted to the outdoors.
- The installation must conform with the local codes, or in the absence of local codes, with the National Electric Code and National Fuel Gas Code, ANSI Z223 for gas dryers.

MINIMUM CLEARANCES OTHER THAN ALCOVE OR CLOSET INSTALLATION:

- Minimum clearances to combustible surfaces are: 0" both sides; 1" rear.

DRYER EXHAUSTING INFORMATION: Use metal duct only, vertical and horizontal ducting.



POWER CORDS:

GE Appliances strongly recommends the use of factory specified parts. Select the power cord to fit your installation requirements.*

NOTE: If the dryer circuit is on a circuit protected by a GFCI breaker, then 3-wire installation is not permitted. Hose wiring and dryer must be configured for 4-wire.

Part Number	Type	Length	Amperage
WX9X2	3-Prong	4 Feet	30
WX9X3	3-Prong	5 Feet	30
WX9X4	3-Prong	6 Feet	30
WX9X18	4-Prong	4 Feet	30
WX9X19	4-Prong	5 Feet	30
WX9X20	4-Prong	6 Feet	30



For answers to your Monogram, Café™, GE Profile™ or GE Appliances product questions, visit our website at geappliances.com or call GE Answer Center® Service, 800.626.2000.

*Note that this is a contract exclusive model



Specification Revised 02/24

GTD48EASWWB

GE® 7.2 cu. ft. Capacity Electric Dryer with up to 120 ft. Venting and Extended Tumble

FOR COMPLETE INFORMATION, SEE INSTALLATION INSTRUCTIONS PACKED WITH YOUR DRYER.

DUCTING MATERIALS:

For best performance, this dryer should be vented with 4" diameter all-rigid metal exhaust duct. If rigid metal duct cannot be used, then UL-listed flexible metal (semi-rigid) ducting can be used (Kit WX08X10077). In special installations, it may be necessary to connect the dryer to the house vent using a flexible metal (foil-type) duct. A UL-listed flexible metal (foil-type) duct may be used **ONLY** in installations where rigid metal or flexible metal (semi-rigid) ducting cannot be used **AND** where a 4" diameter can be maintained throughout the entire length of the transition duct. Please see installation instruction packed with your dryer for complete instructions when using flexible metal (foil-type) ducting.

EXHAUST LENGTH CALCULATION:

1. Determine the number of 90° turns needed for your installation. If you exhaust to the side or bottom of dryer, add one turn.
2. The maximum length of 4" rigid (aluminum or galvanized) duct which can be tolerated is shown in the table. A turn of 45° or less may be ignored. Two 45° turns within the duct length should be treated as a 90° elbow. A turn over 45° should be treated as a 90° elbow.

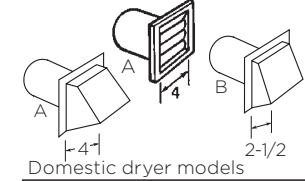
Dryers **must** be exhausted to the outside.

CAUTION: For personal safety, do not terminate exhaust into a chimney, under any enclosed house floor (crawl space), or into an attic, since the accumulated lint could create a fire hazard or moisture could cause damage. Never terminate the exhaust into a common duct or plenum with a kitchen exhaust, since the combination of lint and grease could create a fire hazard.

Exhaust ducts should be terminated in a dampered wall cap to prevent back drafts, bird nesting, etc. The wall cap must also be located at least 12" above the ground or any other obstruction with the opening pointed down.

FOR MORE INFORMATION ON VENTING KITS AND ACCESSORIES, PLEASE CALL 1-800-GE-CARES.

DRYER EXHAUSTING INFORMATION— USE METAL DUCT ONLY VERTICAL AND HORIZONTAL DUCTING



		BEST PERFORMANCE	
		Maximum length of 4" dia rigid metal duct	
		Exhaust hood type	
	Number of 90° turns	A 4" opening	B 2-1/2" opening
Domestic dryer models	0	120 ft.	90 ft.
	1	100 ft.	75 ft.
	2	85 ft.	65 ft.
	3	70 ft.	55 ft.
	4	60 ft.	45 ft.
	5	55 ft.	35 ft.
Long Vent 6.1-7.4 cu. ft. capacity electric & gas (GTD33, GTD42, GTD45, GTD48, GTD65, GTX22, GTX33, GTX42 and GTX65)			

For every extra 90° elbow, reduce the allowable vent system length by 10 ft.

Two 45° elbows will be treated like one 90° elbow.

For the side exhaust installations, add one 90° elbow to the chart.

When calculating the total vent system length, you must add all the straight portions and elbows of the system (including the transition duct.)



*Order online at GEApplianceparts.com, 24 hours a day or by phone at 877.959.8688 during normal business hours.

For answers to your Monogram, Café™, GE Profile™ or GE Appliances product questions, visit our website at geappliances.com or call GE Answer Center® Service, 800.626.2000.

*Note that this is a contract exclusive model



Specification Revised 02/24

GTD48EASWWB

GE® 7.2 cu. ft. Capacity Electric Dryer with up to 120 ft. Venting and Extended Tumble

FEATURES AND BENEFITS

Auto Dry - Auto Dry monitors the internal air temperature to determine the ideal drying time, protecting your garments from overdrying.

Powerful Venting & Flexible Installation - Powerful airflow offers long-lasting performance from lint build-up and offers venting solutions up to 120 feet for greater installation flexibility.

Large Diffuser for Even Drying - A large internal heat diffuser allows for warm air to evenly spread throughout your clothes during the cycle, making this the ideal dryer for large loads and bulky items.

Extended Tumble - Tumble clothes without heat to prevent creasing and wrinkling with a convenient extended tumble button. This cycle is ideal to help to remove even more pet hair on already dry items, allowing debris to be caught by your dryer's lint screen.

Interior Light - Convenient dryer drum lights provide better visibility to help ensure no small items or socks are left behind, making it easier to load and unload laundry.

Adjustable Cycle Signal - End of Cycle signal volume is adjustable, ensuring you are alerted to promptly remove your garments before wrinkles have a chance to form.

Durable Aluminized Drum - This durable, long-lasting design resists corrosion and optimizes drying performance.

Reversible Dryer Door - Door can swing from either direction making it easier to access the last sock from the back of the drum.

Temperature Selection - Offers a range of drying temperatures to adjust to the specific needs of your garments for personalized garment care.

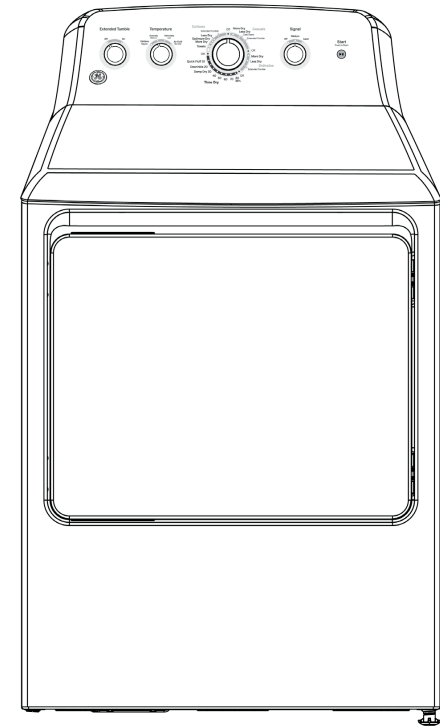
Up-Front Lint Filter - Simplify the task of lint removal with our convenient up-front lint filter, enhancing airflow within the appliance and for your garments.

Delicates Cycle - This delicate, low-heat dryer setting helps protect fabrics and extends the lifetime of even your most delicate items

MATCHING WASHERS:

GTW480ASWWB - GE® 4.6 cu. ft. Capacity Washer with Stainless Steel Basket, Impeller, Cold Plus and Wash Boost

GTW485ASWWB - GE® 4.5 cu. ft. Capacity Washer with Stainless Steel Basket, Agitator, Cold Plus and Wash Boost



Model GTD48EASWWB - White



GTD48EASWWB

GE® 7.2 cu. ft. Capacity Electric Dryer with up to 120 ft. Venting and Extended Tumble

ACCESSORIES*

GE Part Number	Description
WX08X10086	New Bagged Version! 8' Flexible Dryer Duct with 2 screw clamps - UL approved - installer pkg
PM08X10085	8' Flexible Dryer Duct with 2 screw clamps - UL approved - retail pkg
WX8X73	8' Flexible Dryer Duct w/ 2 tension clamps - UL Approved
PM8X73	8' Flexible Dryer Duct w/ 2 tension clamps - UL Approved - retail pkg
WX08X10130-100PK	4" Dryer Tension Clamp - only available in boxes of 100 now
WX08X10131-50PK	4" Dryer Screw Clamp - only available in boxes of 100 now (50 2 packs)
WX8X74	50' Dryer Duct
PM08X10078	Dryer Vent Close Elbow - turns 90° within 4"
WX14X10010	Dryer Steam Kit with Brass Y (Rubber)
PM08X10078	Universal Dryer Vent Close Elbow
PM8X85	Universal Outdoor Dryer Exhaust
WX09X10002	4' 30 Amp. 3-Wire Dryer Cord
WX09X10003	5' 30 Amp, 3-Wire Dryer Cord
WX09X10004	6' 30 Amp 3-Wire Dryer Cord
WX09X10018	4' 30 Amp. 4-Wire Dryer Cord
WX09X10019	5' 30 Amp. 4-Wire Dryer Cord
WX09X10020	6' 30 Amp. 4-Wire Dryer Cord
WX14X10012	Dryer Steam Kit with Brass Y (Stainless Steel-Installer)
WE01X25160	Dryer Rack
WE49X22606	Rear Exhaust Opening Cover

*Accessories sold separately.



*Order online at GEApplianceparts.com, 24 hours a day or by phone at 877.959.8688 during normal business hours.



Listed by
Underwriters
Laboratories

Specification Revised 02/24