

## INTERTEK TESTING SERVICES

---

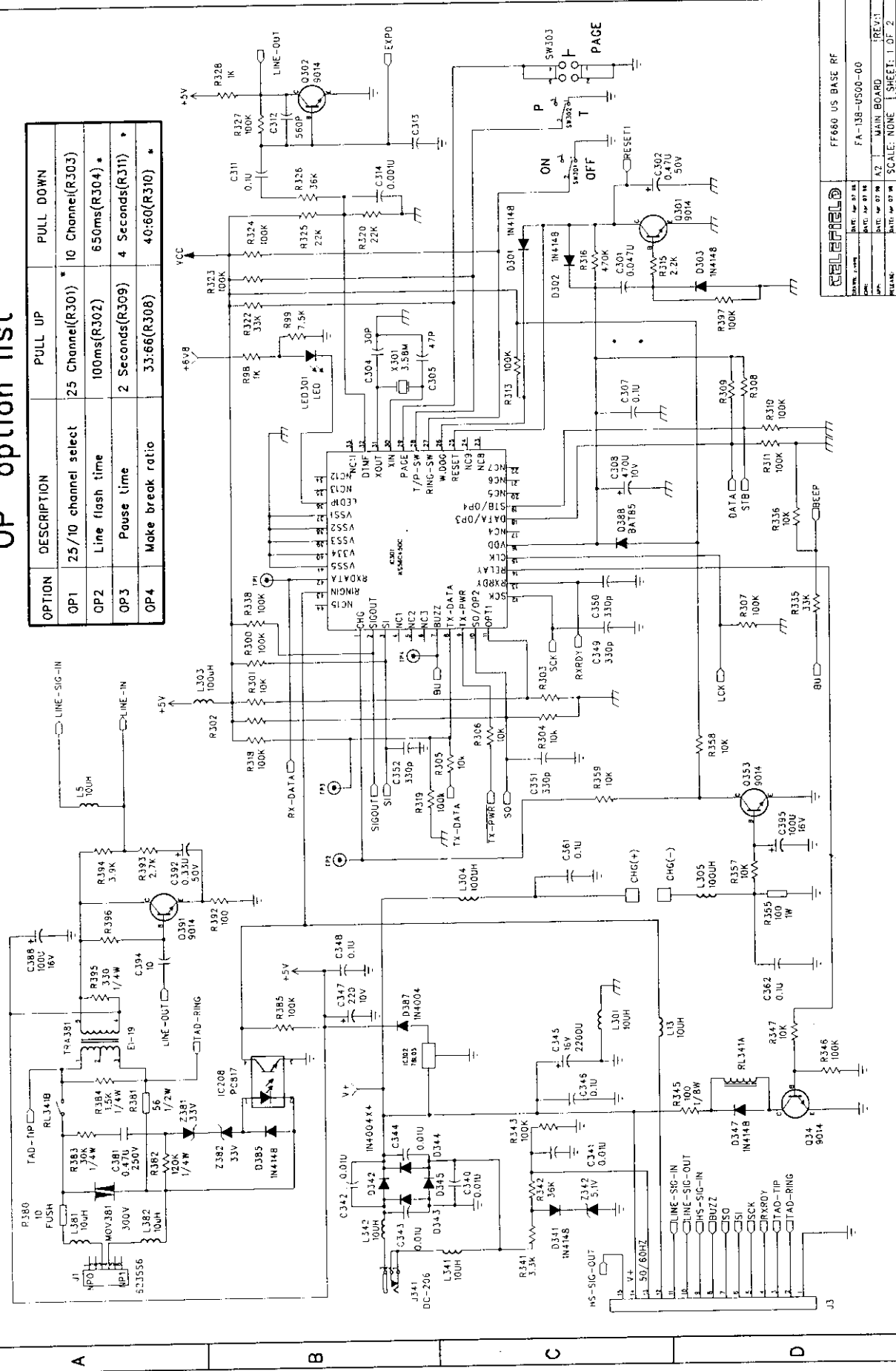
Figure 8.2 Cordless Telephone Circuit Diagram



1 2 3 4 5 6

# 'OP' option list

OPTION	DESCRIPTION	PULL UP	PULL DOWN
OP1	25/10 channel select	25 Channel(R301) *	10 Channel(R303)
OP2	Line flash time	100ms(R302)	650ms(R304) *
OP3	Pause time	2 Seconds(R309)	4 Seconds(R311) *
OP4	Make break ratio	33:66(R308)	40:60(R310) *



**TELEFIELD**

FF680 US BASE RF

FA-138-15000-00

MAIN BOARD

SCALE: NONE

SHEET: 1 OF 2

6

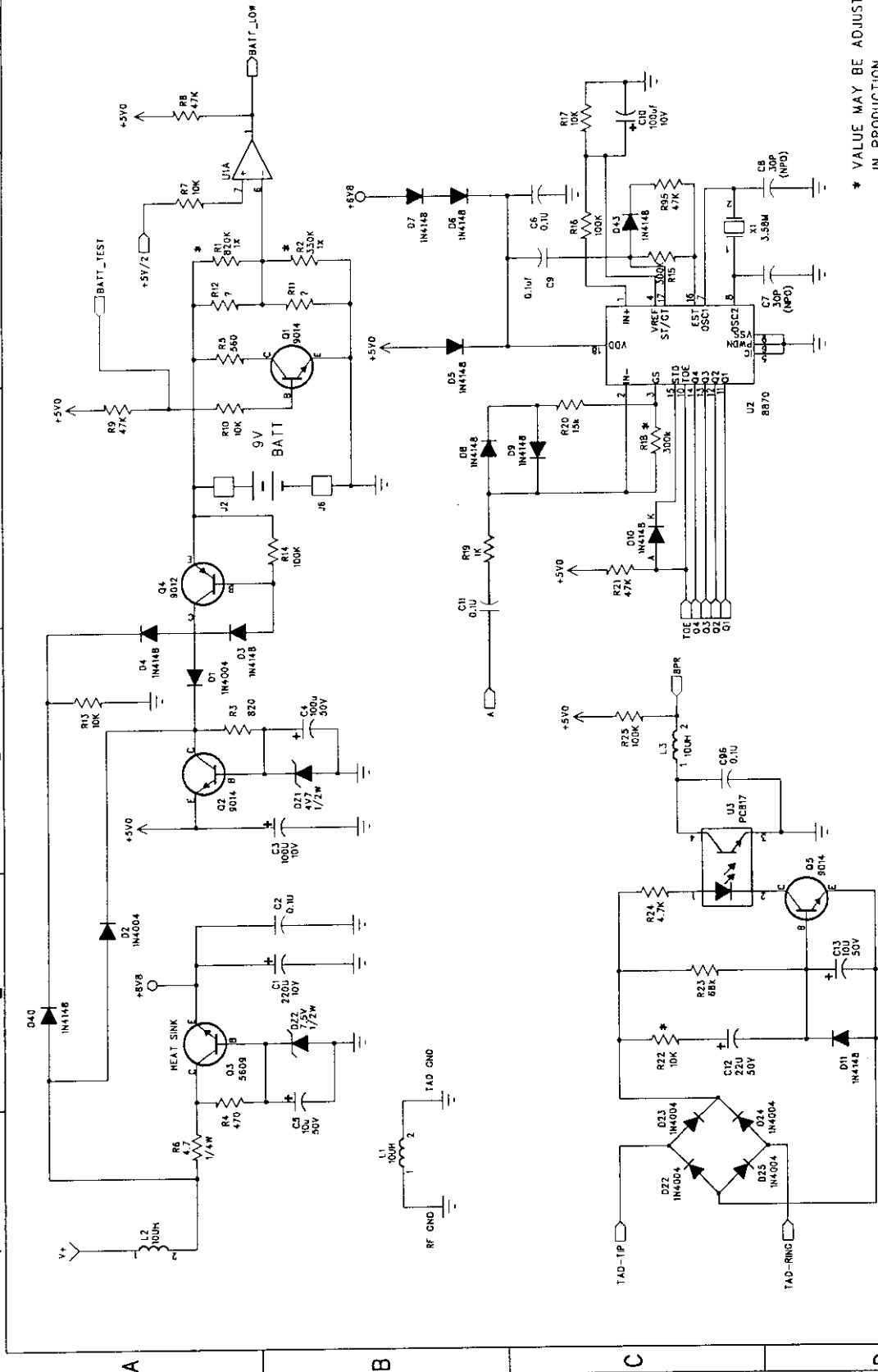
5

4

3

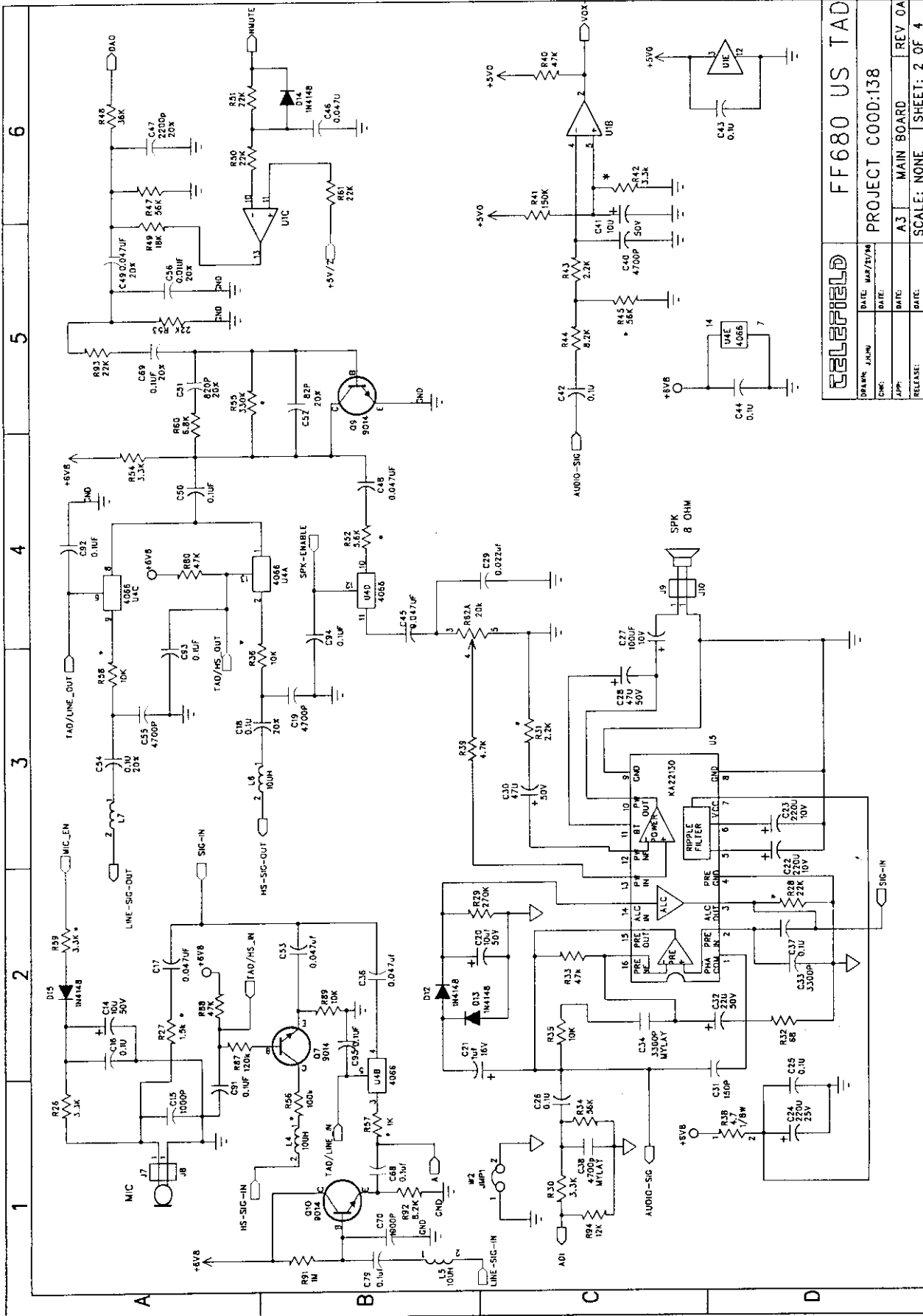
2

1

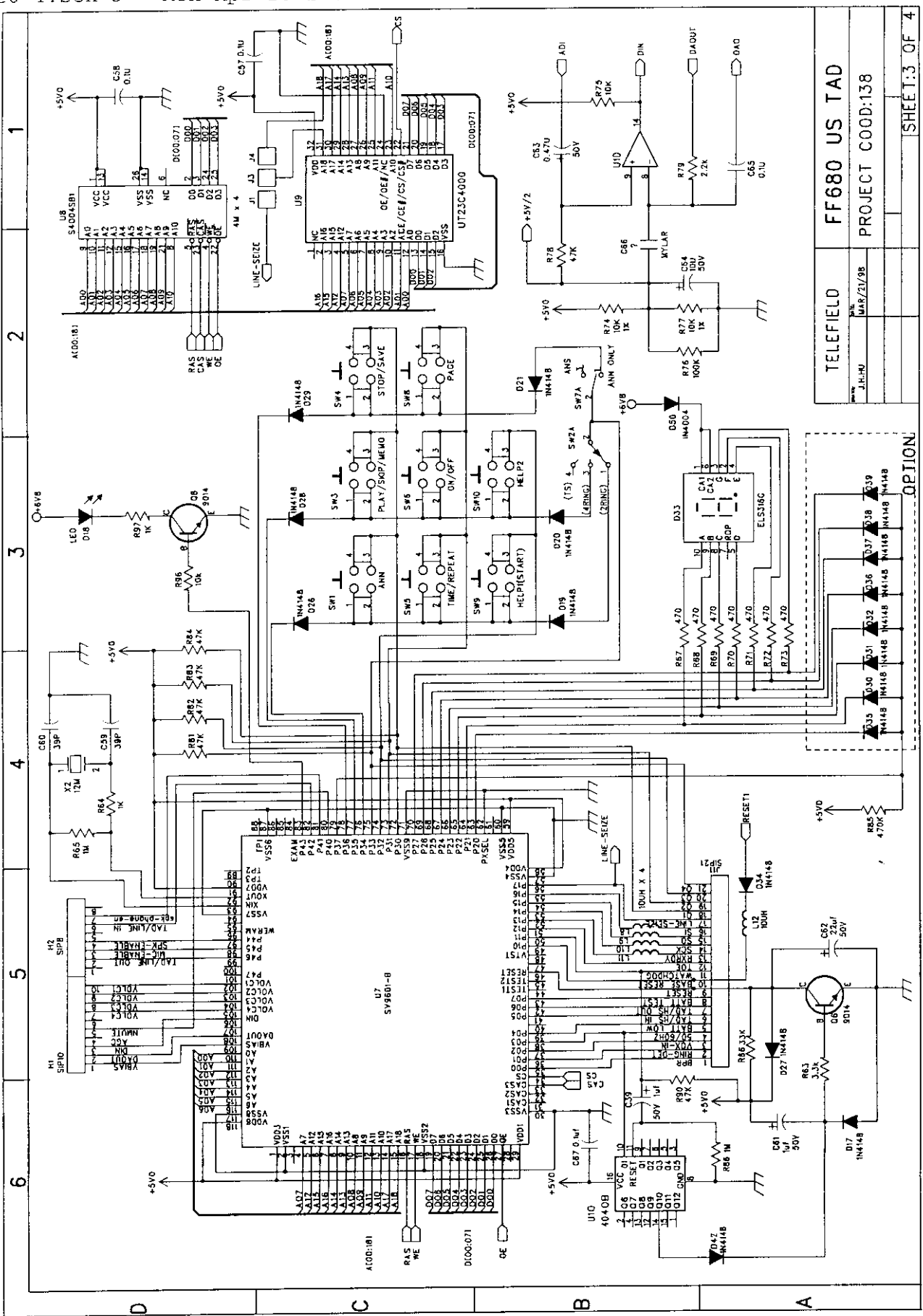


\* VALUE MAY BE ADJUSTED IN PRODUCTION

<b>TELEFIELD</b>		<b>FF680 US TAD</b>	
DATE: JAN/21/98	DATE:	PROJECT COOD:138	REV 0A
APP: A3	DATE:	MAIN BOARD	REV 0A
RELEASE:	DATE:	SCALE: NONE	SHEET: 1 OF 4



<b>TELEFIELD</b>		<b>FF680 US TAD</b>	
DATE: MAR/98	DATE: MAR/98	PROJECT C00D:138	REV: 0A
APP: A3	DATE:	SCALE: NONE	SHEET: 2 OF 4
RELEASE:	DATE:		

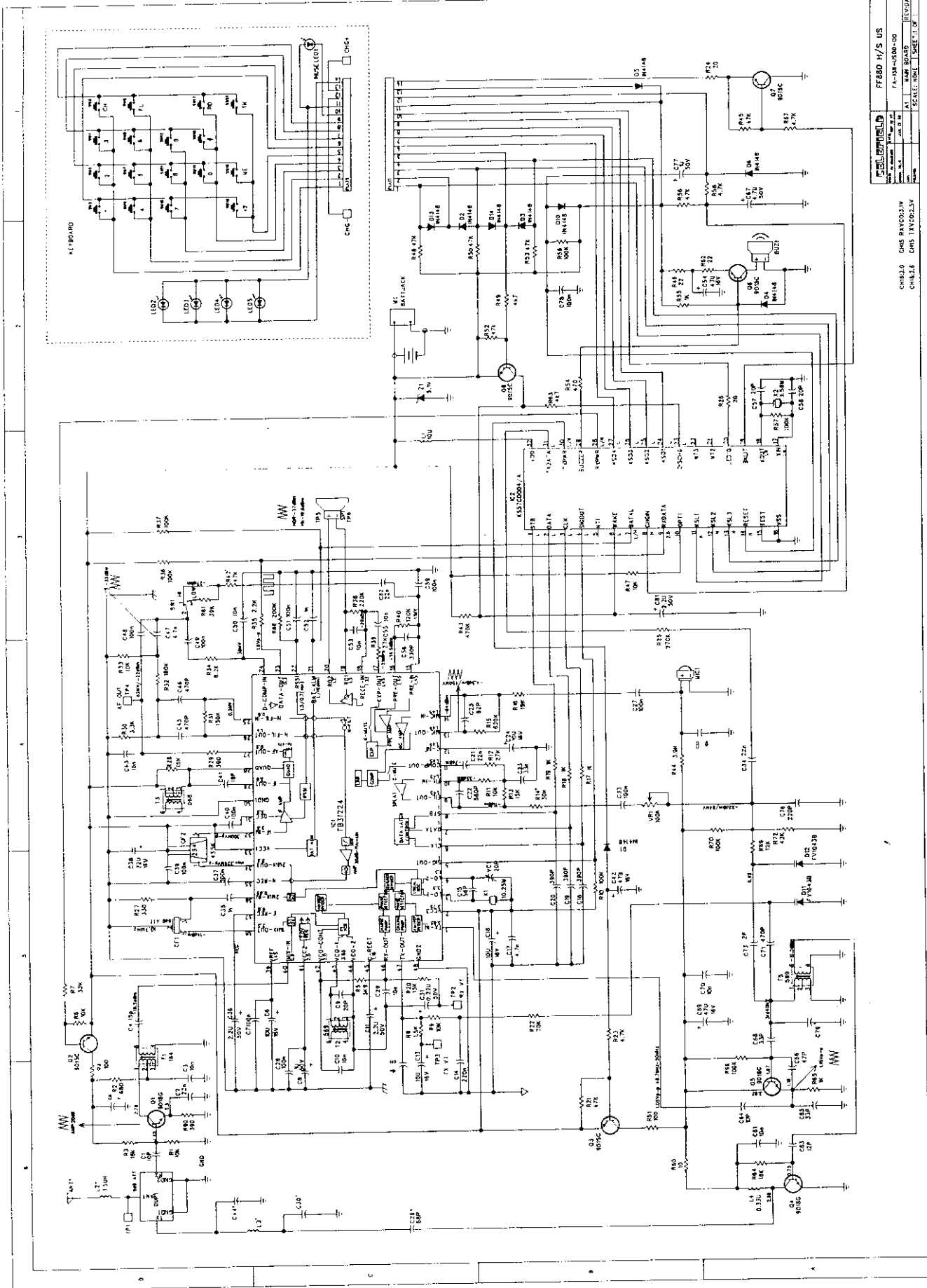


TELEFIELD  
 MAR/21/98  
 PROJECT COOD:138

OPTION

SHEET:3 OF 4





SHEET NO.		REV.	
1	1	1	1
2	2	2	2
3	3	3	3
4	4	4	4
5	5	5	5
6	6	6	6
7	7	7	7
8	8	8	8
9	9	9	9
10	10	10	10

FF80 H/S US  
 CHASSIS ONE PLYWOOD  
 CHASSIS ONE PLYWOOD  
 SCALE: 100%