

# ALX21F-085AA1

## Features

- 13.56MHz indoor embedded Omni-directional antenna
- High efficiency and quick integration



## Applications

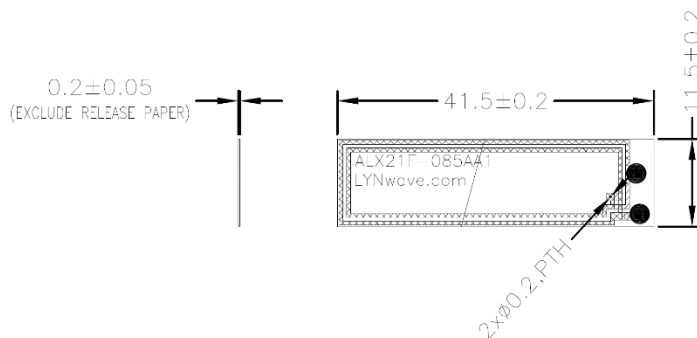
- NFC

## Electrical Specification

Category	Specification
Frequency (MHz)	13.56
VSWR	2.0 : 1
Polarization	Linear
Power (Watts)	1
Impedance (Ohms)	50
Type	Coil

## Mechanical Specification

Category	Specification
Dimension (mm)	41.5 x 11.5
Thickness (mm)	0.2
Weight (g)	0.21
Connector	N/A
Cable	N/A
Cable Length (mm)	N/A
Material	FPC
Operating Temp (°C)	-40°C ~ +85°C
Storage Temp (°C)	23 ± 5°C
Storage Humidity (%)	30% ~ 70%



LYNwave Technology Ltd.  
5F., No. 655, Xuecheng Rd., Shulin Dist.,  
New Taipei City,  
238701, Taiwan

Website: [www.lynwave.com](http://www.lynwave.com)  
Tel: +886 2 3501 8700  
Email: [service@lynwave.com](mailto:service@lynwave.com)



# LYNwave Technology

Antenna solution provider

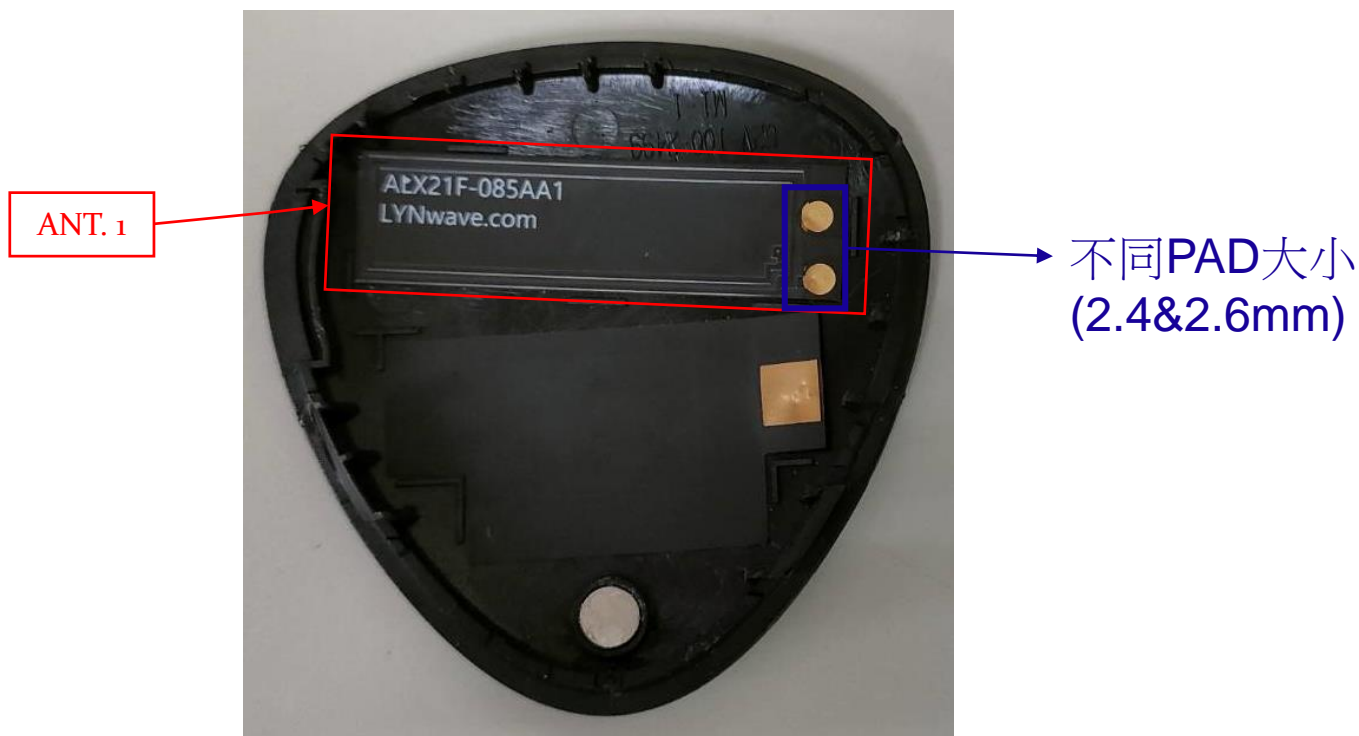


- A. Antenna RF Characteristics
  - 1. Antenna Placement
  - 2. Test Results
  - 3. Summary



## Antenna Placement

Antenna	Description	Frequency(MHz)
Ant.1	NFC	13.56



## Test Results

Tag reading distance, mm		
Condition	PAD-2.4mm	PAD-2.6mm
Terminal	<b>WSMN-162</b>	
NFC chip	<b>ST25R95</b>	
NFC Antenna Dimension, mmxmm	41.5x11.5	
NFC Tag Type 2 (NDEF NTAG 203)	<b>16</b>	<b>16</b>

## Summary

NFC天線PAD2.4&2.6mm測試距離均可達到16mm

[www.lynwave.com](http://www.lynwave.com)



<https://www.facebook.com/LYNwaveTechnology/>



<https://www.linkedin.com/company/lynwave-technology-ltd./>



<https://lynwave.en.alibaba.com/>

LYNwave Technology Ltd.  
5F., No. 655, Xuecheng Rd., Shulin Dist.,  
New Taipei City,  
238701, Taiwan

Website: [www.lynwave.com](http://www.lynwave.com)  
Tel: +886 2 3501 8700  
Email: [service@lynwave.com](mailto:service@lynwave.com)

