

# NX58T7511SS

SAMSUNG

## Samsung Freestanding Gas Range with Air Fry & Convection

5.8 cu. ft. Capacity



### Signature Features

#### Air Fry

- Cooking just got healthier with new Air Fry mode.\* Using little to no oil, you can quickly prepare your favorite fried foods right in your oven. Air Fry tray included.

\*As compared to deep frying.

#### Convection

- Powerful convection saves you time by cooking food fast and more evenly. Perfect for baking and roasting.

#### 18K BTU Dual Ring Power Burner

- Two powerful burners allow you to quickly boil water and sear meat evenly.

### Available Colors



Stainless Steel (shown)



Fingerprint Resistant  
Black Stainless Steel



Air Fry



Convection

### Features

- Air Fry, Tray Included
- Convection
- 18K BTU Dual Ring Power Burner
- Large Oven Capacity – 5.8 cu. ft.
- Griddle
- Easy Cook Presets – Air Fry, Pizza, Bread Proof, Slow Cook
- Wide View Window
- Storage Drawer

- Powerful, Flexible Cooktop:  
Five Burner Cooktop
  - Right Front: 18K BTU Dual Ring
  - Left Front: 15K BTU
  - Right Rear: 5K BTU
  - Left Rear: 9.5K BTU
  - Center (Oval): 10K BTU

### Convenience

- Convection Auto Conversion
- Self Clean
- Child Safety Lock
- Delay Start
- Auto Oven Light
- Kitchen Timer
- Sabbath Mode



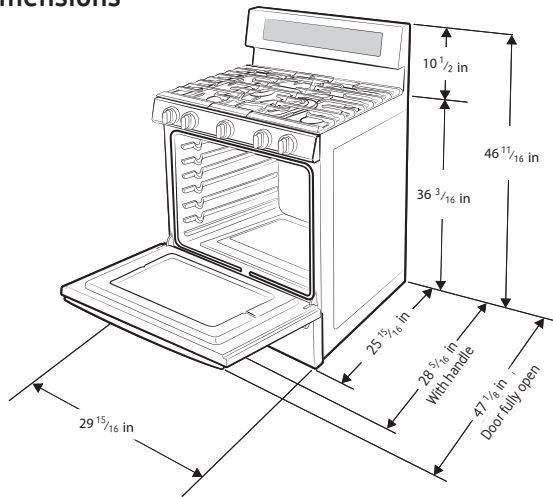
# NX58T7511SS

**SAMSUNG**

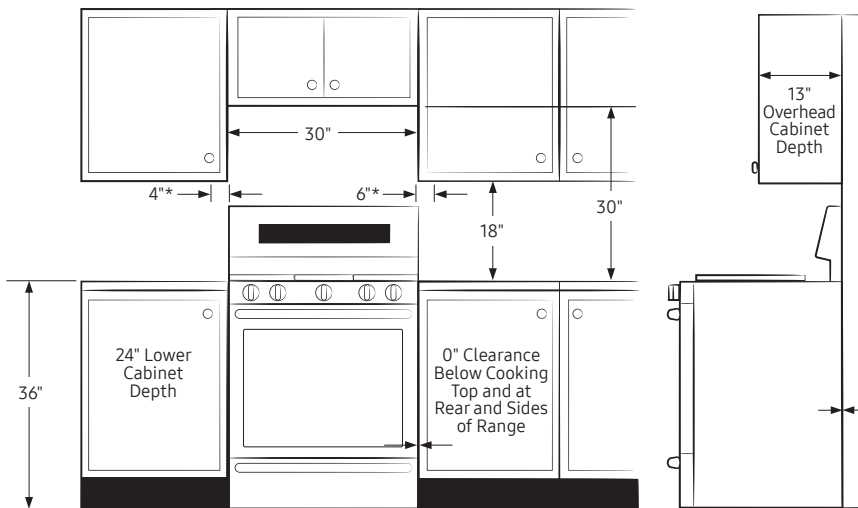
## Samsung Freestanding Gas Range with Air Fry & Convection

5.8 cu. ft. Capacity

### Product Dimensions



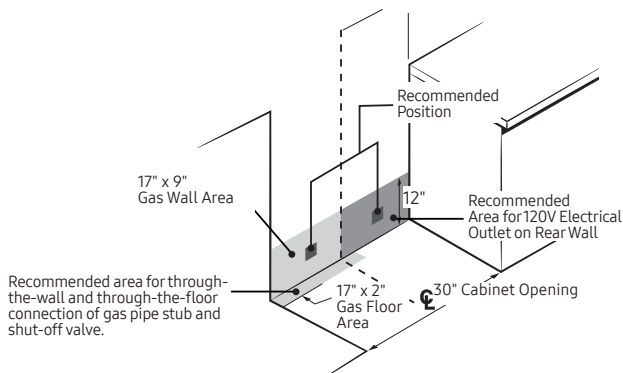
### Installing Your Range



\* Side clearance above cooking surface to any objects, i.e., wall.

**IMPORTANT:** Consult with Installation Manual for detailed instructions before installing. All ranges must be installed with the Anti-Tip device that is included.

### Recommended Locations for Gas Piping and Electrical Outlets



### Power Source

120V/60 Hz/20A

### Total Power (BTU)

57,500 BTU

### Black Enamel 5-Burner Cooktop

- Right Front: 18K BTU, Dual Ring
- Left Front: 15K BTU
- Right Rear: 5K BTU
- Left Rear: 9.5K BTU
- Center (Oval): 10K BTU

### Oven

- Capacity: 5.8 cu. ft.
- Convection Bake
- Convection Roast
- Bake
- Variable Broil: Low/High
- Air Fry
- Pizza
- Bread Proof
- Slow Cook

### Warranty

One (1) Year Parts and Labor

### Product Dimensions & Weight (WxHxD)

Actual Oven Dimensions:

25" x 21<sup>1</sup>/<sub>8</sub>" x 19"

Outside Net Dimensions:

29<sup>15</sup>/<sub>16</sub>" x 46<sup>11</sup>/<sub>16</sub>" x 28<sup>5</sup>/<sub>16</sub>"

Weight: 186 lbs

### Shipping Dimensions & Weight (WxHxD)

Dimensions:

33<sup>1</sup>/<sub>16</sub>" x 50<sup>5</sup>/<sub>8</sub>" x 30<sup>5</sup>/<sub>16</sub>"

Weight: 233 lbs

### Color

Stainless Steel

Fingerprint Resistant

Black Stainless Steel

### Model #

NX58T7511SS

NX58T7511SG

### UPC Code

887276428444

887276428437