

JBS86SPSS

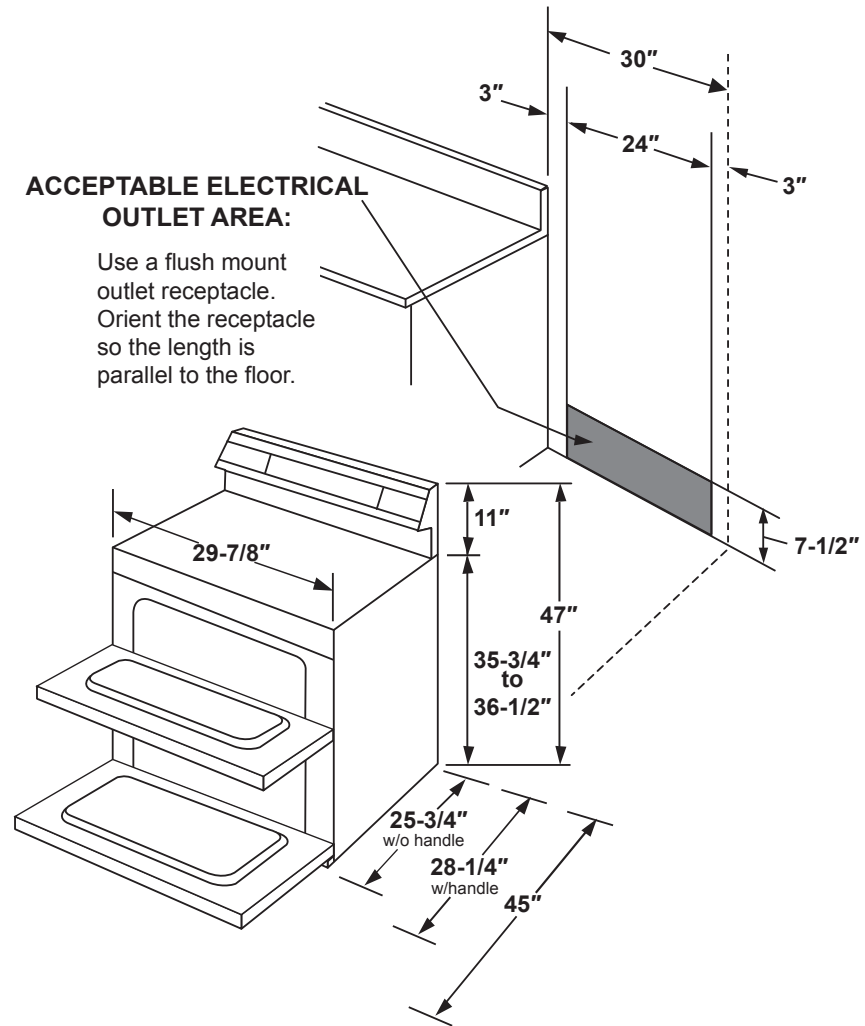
GE® 30" Free-Standing Electric Double Oven Convection Range

DIMENSIONS AND INSTALLATION INFORMATION

RECEPTACLE LOCATIONS: Locally approved flexible service cord or conduit must be used because terminals are not accessible after range installation. See shaded area in drawing for location of electrical outlet box. Recommended outlet locations allow range to be installed directly against wall.

NOTE: This appliance has been approved for 0" spacing to adjacent surfaces above the cooktop. However, a 6" minimum spacing to surfaces less than 15" above the cooktop and adjacent cabinet is recommended to reduce exposure to steam, grease splatter and heat.

INSTALLATION INFORMATION: Before installing, consult installation instructions for current dimensional data and additional requirements.



KW RATING	
240V	15.6
208V	11.7
BREAKER SIZE	
40 Amps†	

†NOTE: Check local codes for required breaker size.



For answers to your Monogram, GE Café™ Series, GE Profile™ Series or GE Appliances product questions, visit our website at geappliances.com or call GE Answer Center® Service, 800.626.2000.



All GE Appliances ranges are equipped with an Anti-Tip device. The installation of this device is an important, required step in the installation of the range.



Specification Revised 5/20

JBS86SPSS

GE® 30" Free-Standing Electric Double Oven Convection Range

FEATURES AND BENEFITS

Convection – This convection oven cooks and browns more evenly, using a rear fan to circulate hot air

12"/9" Power boil element – A power boiler produces concentrated heat for rapid boiling in a flexible 12-inch/9-inch burner size, so you spend less time waiting and more time cooking

9"/6" Power boil element – A power boiler produces concentrated heat for rapid boiling in a flexible 9-inch/6-inch burner size, so you spend less time waiting and more time cooking

Warming mode – A warming mode that lets you to serve dishes at the right time and temperature

Fifth element warming zone – A convenient low-heat warming zone provides even temperature control for foods on the cooktop

Steam clean – A steam cleaning option cleans the oven cavity in a 30-minute cycle with less odor and heat

Wall-to-wall hidden bake element – A hidden, 8-pass bake element in the upper oven heats a large cooking area evenly and allows for quick, easy cleanup

Fast preheat – The upper oven preheats quickly and evenly with a speedy preheat feature

Large capacity double oven – This large double-oven lets you cook multiple items at the same time thanks to its 6.6 cubic foot total capacity

Model JBS86SPSS – Stainless Steel

