

WhisperGreen® Select™ Ventilation Fans and Fan/Lights

WhisperGreen[®]Select[™] VENTILATION FAN

Fan Only Models: FV-0511VK2,
FV-0511VKS2, FV-1115VK2

Fan/Light Models: FV-0511VKL2,
FV-0511VKSL2, FV-1115VKL2



Powerful CFM output overcomes
0.375" static pressure to effectively
remove moist, polluted air*



- Precision, whole-house ventilation solution ideal for use in the bathroom, laundry room, sun room, basement or garage
- Customizable, all-in-one fan and fan/dimmable LED light combinations
- Pick-A-Flow Airflow Selector (50-80-110 or 110-130-150 CFM models) combined with SmartFlow™ technology simplifies the selection process and ensures optimum performance to meet code and reduce callbacks
- Elegant grille design complements the aesthetics of any room
- Single-hinged Flex-Z Fast™ bracket provides flexible, fast and easy installation
- Can be used to comply with ASHRAE 62.2, LEED, CALGreen, IAP, California Title 24, WA Ventilation Code and ENERGY STAR for Homes 3.0

ADDITIONAL BENEFITS

- Environmentally friendly 26 gauge Zinc-Aluminum-Magnesium (ZAM) housing
- Integrated 4" or 6" dual duct adapter enhances installation options / Fits in 2 x 8 construction
- Built-in metal flange provides blocking for penetrations through drywall as an air barrier, and assists with the decrease in leakage in the building envelope during blower door testing
- Suitable for installation in ceilings insulated up to R60
- Dual access junction box simplifies wiring in tight spaces
- UL listed for tub/shower enclosure when GFCI protected
- UL listed for use with the Panasonic Ceiling Radiation Damper (model # PC-RD05C5)
- 6 year warranty on ECM motor, 5 years on LED, 3 years on parts

*Industry research indicates static pressure in typical installations ranges from 0.20" to 0.375".



BUILT-IN SELF
ADJUSTING AIRFLOW
CAPABILITY

reinventingventing.com



One Fan – Endless Possibilities.

The all-purpose, customizable IAQ solution for virtually any application

WhisperGreen® Select™ is a powerful IAQ solution that has revolutionized the ventilation fan industry with a unique set of features. To the builder and professional installer, Panasonic continues to be the innovation leader with high performance ventilation solutions that are built to last. WhisperGreen Select's unique design and superior energy efficiency are achieved through engineering expertise, provided by a company who sets the standard for quality and value.

WHISPERGREEN SELECT™ IS AS EASY AS 1-2-3!

Step 1: Select a Base Fan Model

Select a base model to start building the perfect IAQ solution that satisfies your ventilation design requirements.

Fan	Fan/Light
FV-0511VK2: 50 to 110 CFM single speed	FV-0511VKL2: 50 to 110 CFM single speed + LED Light
FV-0511VKS2: 30 to 110 CFM pre-installed multi-speed	FV-0511VKSL2: 30 to 110 CFM pre-installed multi-speed + LED Light
FV-1115VK2: 50 to 150 CFM single speed	FV-1115VKL2: 50 to 150 CFM single speed + LED Light

Pick-A-Flow™ Airflow Technology

Pick-A-Flow™ Airflow Selector – one fan, you choose the CFM. Provides the unique ability to select your required airflow (50-80-110 and 110-130-150 CFM models) with the simple flip of a switch.

Step 2: Select Value Added Features

WhisperGreen Select™ offers a unique set of three patented modules that allow you to further customize your fan:

Multi-Speed with Time Delay (FV-VS15VK1) – Allows you to select the proper CFM settings to satisfy ASHRAE 62.2 continuous ventilation requirements. The fan runs continuously at a pre-set lower level, then elevates to a maximum level of operation when the wall switch is turned on, or when the SmartAction® motion sensor or condensation sensor module is activated. A high/low delay timer returns the fan to the pre-set CFM level after a period of time set by the user.

SmartAction® Motion Sensor (FV-MSVK1) – Automatically activates when someone enters the room. Once the settings have been applied, the fan becomes truly automatic, making it ideal for people with disabilities and assisted living environments such as nursing homes and retirement communities. This module also activates an automatic 20-minute delay off timer for the fan.

Condensation Sensor (FV-CSVK1) – Helps control bathroom condensation to prevent mold and mildew. Advanced sensor technology detects relative humidity and temperature to anticipate dew point, automatically turning the fan on to control humidity. Built-in Relative Humidity (RH) sensitivity adjustment enables fine tuning for moist conditions (30% to 80%, in 10% increments) and for satisfying CALGreen requirements. When the condensation sensor is used in conjunction with multi-speed functionality, the fan will kick up to high speed when the condensation sensor detects moisture in the room. This module also activates an automatic 20-minute delay off timer for the fan.



Multi-Speed with Time Delay (FV-VS15VK1)



SmartAction® Motion Sensor (FV-MSVK1)



Condensation Sensor (FV-CSVK1)

Step 3: Install Your Ideal Fan with the New! Flex-Z Fast™ Installation System



Single-hinged articulating joints to easily position bracket in between the joist and/or through ceiling hole.



Easily position bracket in between the joist or ceiling hole.



Extend bracket to desired length.

Ingenuously designed installation bracket provides flexible, fast and easy installation for all your new construction or renovation projects.

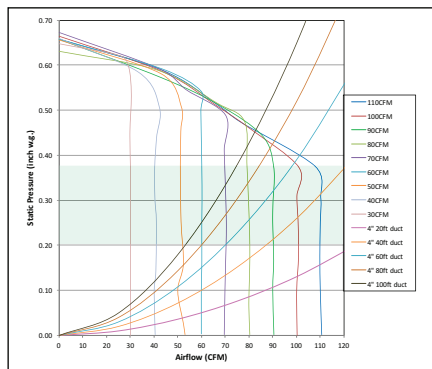
Superior Installed Performance up to 0.375" and Certified Quiet Operation at 0.25" Static Pressure

Although ASHRAE, ENERGY STAR®, LEED for Homes, and HVI have set the industry standard for performance measurement at 0.1" and 0.25", WhisperGreen® Select™ fans provide powerful CFM output at 0.375" that is more representative of typical installations. Sones have also been certified at 0.25" to provide a more realistic, installed value, so they are quiet under pressure and after installation.

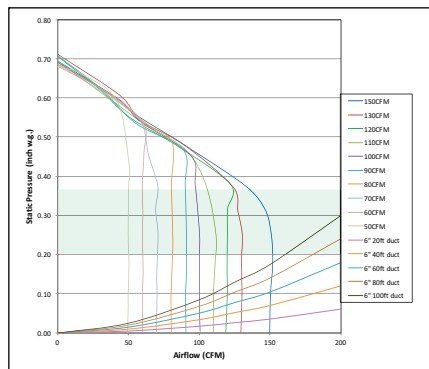


Industry research indicates static pressure in typical installations ranges from 0.20" to 0.375". Panasonic's powerful ECM motored fans produce airflow rates that force through real-world static pressure.

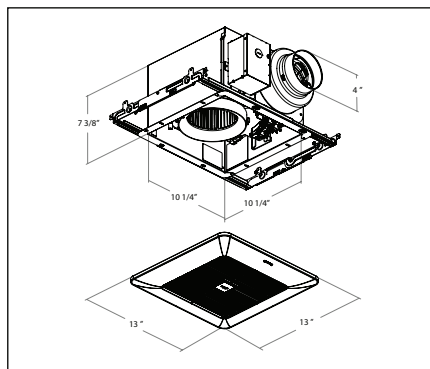
FV-0511VK2



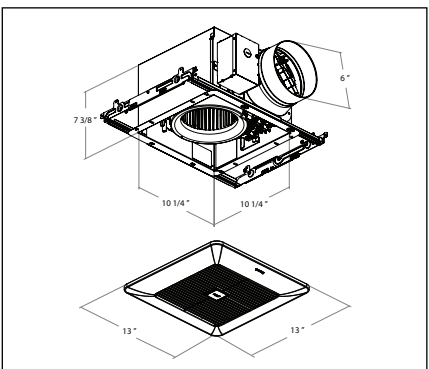
FV-1115VK2



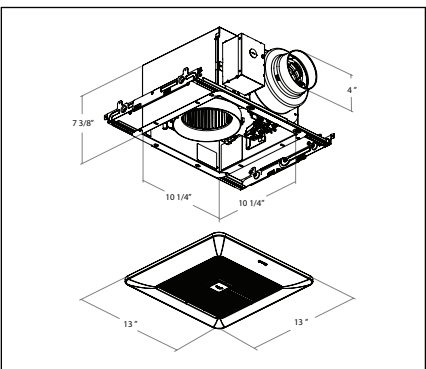
FV-0511VK2



FV-1115VK2



FV-0511VKS2



Specifications		WhisperGreen® Select™ (Fan Only)																														
		Base Fan																														
		FV-0511VK2													FV-1115VK2																	
Characteristics (HVI tested data for 0.1" S.P.)	Static Pressure in inches w.g.	0.1	0.25	0.375	0.1	0.25	0.375	0.1	0.25	0.375	0.1	0.25	0.375	0.1	0.25	0.375	0.1	0.25	0.375	0.1	0.25	0.375	0.1	0.25	0.375	0.1	0.25	0.375	0.1	0.25	0.375	
	Air Volume (CFM)	110	110	108	80	80	79	50	51	51	150	151	132	130	130	124	110	112	105													
	Noise (sones)	<0.3	0.8	-	<0.3	0.5	-	<0.3	0.4	-	<0.3	0.7	-	<0.3	0.4	-	<0.3	0.3	-													
	Power Consumption (watts)	9.9	15.4	20.0	5.1	9.6	13.4	3.1	6.2	9.6	12.9	22.0	24.4	9.2	16.5	22.1	6.9	12.8	17.9													
	Energy Efficiency (CFM/Watt)	11.1	7.1	5.4	15.7	8.3	5.9	16.2	8.3	5.3	11.7	6.8	5.4	14.2	7.9	5.6	16.0	8.7	5.8													
	Speed (RPM)	920	1182	1356	795	1113	1315	722	1054	1266	684	916	1084	645	900	1080	625	894	1083													
	Current (amps)	0.10	0.16	0.20	0.06	0.10	0.14	0.04	0.07	0.10	0.14	0.22	0.24	0.10	0.17	0.22	0.08	0.13	0.18													
	MAX. Current (amps)	0.20													0.24																	
	Power Rating (V/Hz)	120/60													120/60																	
	Motor Type	ECM													ECM																	
Type of Motor Bearing	Ball													Ball																		
Thermal Fuse Protection	Yes													Yes																		
Blower Wheel Type	Sirocco													Sirocco																		
ENERGY STAR Qualified	Yes													Yes																		
Duct Diameter (Inches)	4 & 6													6																		
Mounting Opening (Inches sq.)	10-1/2													10-1/2																		
Grille Size (Inches sq.)	13													13																		
Lamp Watts	N/A													N/A																		
Lumens (lm)	N/A													N/A																		
Lumens Per Watt (LPW)	N/A													N/A																		
Color Rendering Index	N/A													N/A																		
Color Temperature (Kelvin)	N/A													N/A																		
Rated Life (hours)	N/A													N/A																		
Lamp Model #	N/A													N/A																		
Type of Lamp Socket	N/A													N/A																		
Night Light Specs	Night Light Watts	N/A*													N/A*																	
Shipping	Gross Weight (lbs)	11.80													11.95																	
Approved Code/Standard/Regulation	UL tub/Shower Enclosure	Yes													Yes																	
	Washington VIAQ Code	Yes													Yes																	
	Wall installation	No													No																	
	California Title 24 Compliant	Yes													Yes																	
Mfg in ISO 9001 Certified Facility	Yes													Yes																		

Specifications		WhisperGreen® Select™ (Fan Only)																													
		Base Fan with Pre-Installed Multi-Speed																													
		FV-0511VKS2																													
Characteristics (HVI tested data for 0.1" S.P.)	Static Pressure in inches w.g.	0.1	0.25	0.375	0.1	0.25	0.375	0.1	0.25	0.375	0.1	0.25	0.375	0.1	0.25	0.375	0.1	0.25	0.375	0.1	0.25	0.375	0.1	0.25	0.375	0.1	0.25	0.375	0.1	0.25	0.375
	Air Volume (CFM)	110	110	108	100	101	101	90	90	90	80	80	79	70	71	70	60	60	60	50	51	51	40	41	40	30	30	30			
	Noise (sones)	<0.3	0.8	-	<0.3	0.7	-	<0.3	0.6	-	<0.3	0.5	-	<0.3	0.5	-	<0.3	0.4	-	<0.3	0.4	-	<0.3	0.3	-	<0.3	0.3	-			
	Power Consumption (watts)	9.9	15.4	20.0	7.9	13.1	17.8	6.5	11.2	16.0	5.1	9.6	13.4	4.3	8.5	12.1	3.7	6.9	10.5	3.1	6.2	9.6	2.7	5.5	7.8	2.4	4.6	6.8			
	Energy Efficiency (CFM/Watt)	11.1	7.1	5.4	12.7	7.7	5.7	13.9	8.0	5.6	15.7	8.3	5.9	16.7	8.5	5.9	16.3	8.7	5.7	16.2	8.3	5.3	14.8	7.4	5.1	12.6	6.6	4.4			
	Speed (RPM)	920	1182	1356	889	1164	1356	839	1135	1351	795	1113	1315	760	1112	1309	751	1061	1287	722	1054	1266	707	1057	1251	711	1039	1259			
	Current (amps)	0.10	0.16	0.20	0.09	0.14	0.18	0.07	0.12	0.16	0.06	0.10	0.14	0.05	0.09	0.13	0.05	0.08	0.11	0.04	0.07	0.10	0.04	0.07	0.09	0.04	0.06	0.08			
	MAX. Current (amps)	0.20																													
	Power Rating (V/Hz)	120/60																													
	Motor Type	ECM																													
Type of Motor Bearing	Ball																														
Thermal Fuse Protection	Yes																														
Blower Wheel Type	Sirocco																														
ENERGY STAR Qualified	Yes																														
Duct Diameter (Inches)	4 & 6																														
Mounting Opening (Inches sq.)	10-1/2																														
Grille Size (Inches sq.)	13																														
Lamp Watts	N/A																														
Lumens (lm)	N/A																														
Lumens Per Watt (LPW)	N/A																														
Color Rendering Index	N/A																														
Color Temperature (Kelvin)	N/A																														
Rated Life (hours)	N/A																														
Lamp Model #	N/A																														
Type of Lamp Socket	N/A																														
Night Light Specs	Night Light Watts	N/A*																													
Shipping	Gross Weight (lbs)	11.90																													
Approved Code/Standard/Regulation	UL tub/Shower Enclosure	Yes																													
	Washington VIAQ Code	Yes																													
	Wall installation	No																													
	California Title 24 Compliant	Yes																													
Mfg in ISO 9001 Certified Facility	Yes																														

Specifications		WhisperGreen® Select™ (Fan Only)																													
		Base Fan with Multi-Speed Plug 'N Play Module																													
		FV-0511VK2 + FV-VS15VK1																													
Characteristics (HVI tested data for 0.1" S.P.)	Static Pressure in inches w.g.	0.1	0.25	0.375	0.1	0.25	0.375	0.1	0.25	0.375	0.1	0.25	0.375	0.1	0.25	0.375	0.1	0.25	0.375	0.1	0.25	0.375	0.1	0.25	0.375	0.1	0.25	0.375	0.1	0.25	0.375
	Air Volume (CFM)	110	110	108	100	101	101	90	90	90	80	80	79	70	71	70	60	60	60	50	51	51	40	41	40	30	30	30			
	Noise (sones)	<0.3	0.8	-	<0.3	0.7	-	<0.3	0.6	-	<0.3	0.5	-	<0.3	0.4	-	<0.3	0.4	-	<0.3	0.3	-	<0.3	0.3	-	<0.3	0.3	-			
	Power Consumption (watts)	9.9	15.4	20.0	7.9	13.1	17.8	6.5	11.2	16.0	5.1	9.6	13.4	4.3	8.5	12.1	3.7	6.9	10.5	3.1	6.2	9.6	2.7	5.5	7.8	2.4	4.6	6.8			
	Energy Efficiency (CFM/Watt)	11.1	7.1	5.4	12.7	7.7	5.7	13.9	8.0	5.6	15.7	8.3	5.9	16.7	8.5	5.9	16.3	8.7	5.7	16.2	8.3	5.3	14.8	7.4	5.1	12.6	6.6	4.4			
	Speed (RPM)	920	1182	1356	889	1164	1356	839	1135	1351	795	1113	1315	760	1112	1309	751	1061	1287	722	1054	1266	707	1057	1251	711	1039	1259			
	Current (amps)	0.10	0.16	0.20	0.09	0.14	0.18	0.07	0.12	0.16	0.06	0.10	0.14	0.05	0.09	0.13	0.05	0.08	0.11	0.04	0.07	0.10	0.04	0.07	0.09	0.04	0.06	0.08			
	MAX. Current (amps)	0.20																													
	Power Rating (V/Hz)	120/60																													
	Motor Type	DC																													
Type of Motor Bearing	Ball																														
Thermal Fuse Protection	Yes																														
Blower Wheel Type	Sirocco																														
ENERGY STAR Qualified	Yes																														
Duct Diameter (Inches)	4" or 6"																														
Mounting Opening (Inches sq.)	10-1/2"																														
Grille Size (Inches sq.)	13"																														
Lamp Watts	N/A																														
Lumens (lm)	N/A																														
Lumens Per Watt (LPW)	N/A																														
Color Rendering Index	N/A																														
Color Temperature (Kelvin)	N/A																														
Rated Life (hours)	N/A																														
Lamp Model #	N/A																														
Type of Lamp Socket	N/A																														
Night Light Specs	Night Light Watts	N/A*																													
Shipping	Gross Weight (lbs)	11.9																													
Approved Code/Standard/Regulation	UL tub/Shower Enclosure	Yes																													
	Washington VIAQ Code	Yes																													
	Wall installation	No																													
	California Title 24 Compliant	Yes																													
Mfg in ISO 9001 Certified Facility	Yes																														

*Industry research indicates static pressure in typical installations ranges from 0.20" to 0.375".



ECM Motor with SmartFlow™ Technology

WhisperGreen® Select™ is designed to perform as rated. When the fan senses static pressure, its speed is automatically increased to ensure optimal CFM output. This feature provides peace of mind, as the installer doesn't have to worry about compromising the fan's performance.

NEW



LED Lighting

Includes a 10 Watt dimmable LED chip panel/3000 Kelvin Warm White/90CRI/700 lumens/70 LPW/ENERGY STAR® 2.0 certified/JA-8 compliant for CA Title 24/50,000 hours rated average life / <1W LED night light.