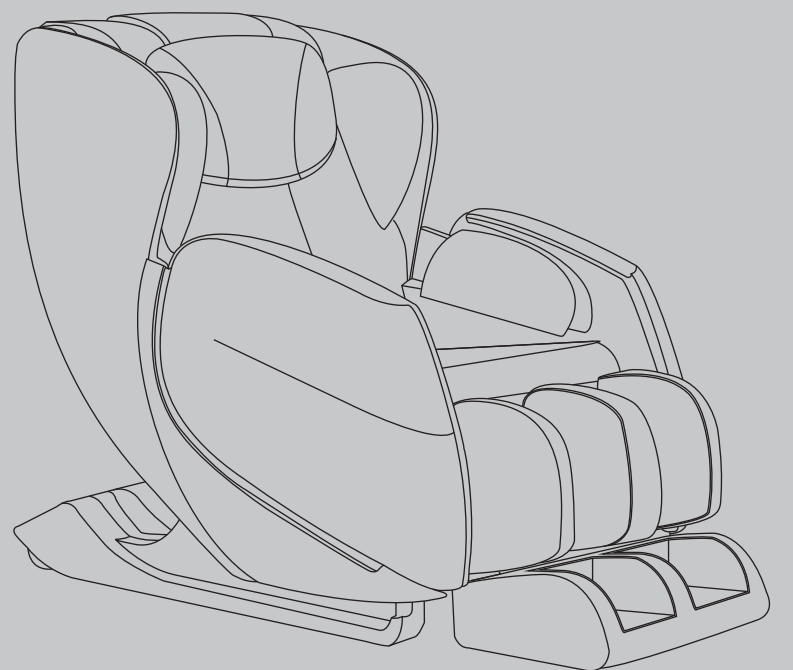


SHARPER IMAGE



REVIVAL ZERO GRAVITY MASSAGE CHAIR



ASSEMBLY GUIDE

SHARPER IMAGE®
MESSAGE CHAIRS

72 Stard Road, Seabrook, NH 03874
Toll Free #: 888-894-9150
www.sharperimagemassagechairs.com

Version 1.0

Before assembling your chair, watch an assembly video at: www.sharperimagemassagechairs.com/assembly-tutorials
Alternatively, scan the QR code to go directly to the URL above.

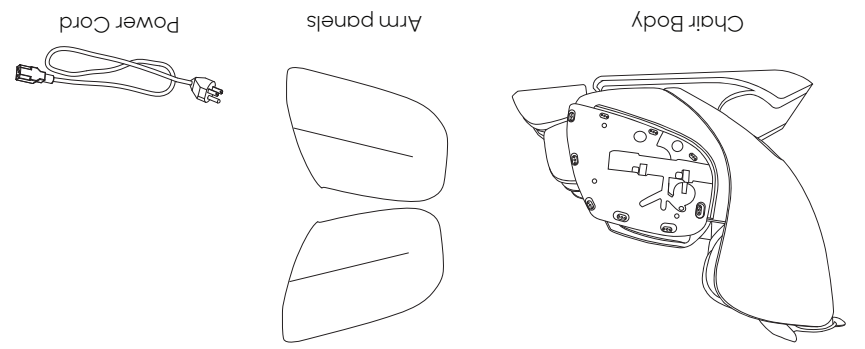


SCAN CODE

STEP 1: Carefully check box contents to the detail below, making sure all contents are accounted for.

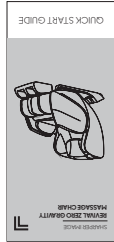
If anything is missing, please contact Sharper Image Massage Chairs at 888-894-9150. Do not return to the place of purchase.

BOX 1: Chair Body & Power Cord



(2) Fuses & (8) Ball-head Joint

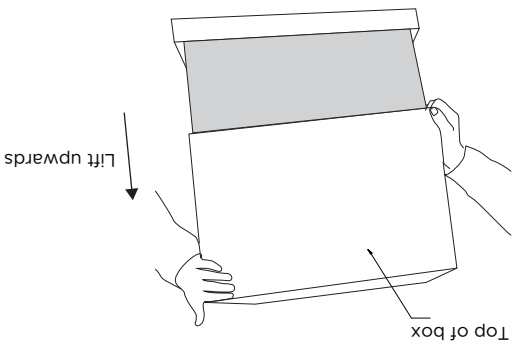
Warranty



1

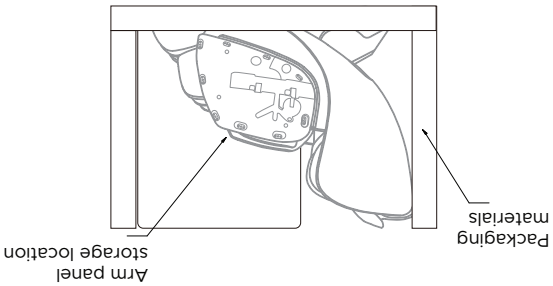
2

STEP 2: Open the box by lifting the top upwards.



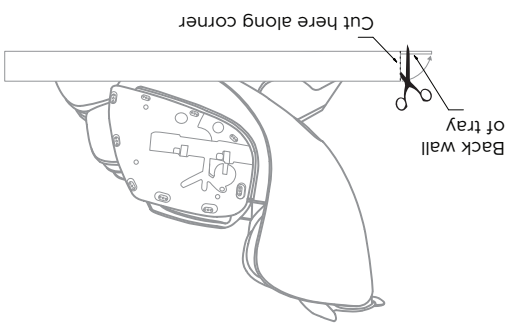
3

STEP 3: Remove packaging materials. Locate the arm panels sitting in the chair and set them to the side. Remove protective covering from the chair.



4

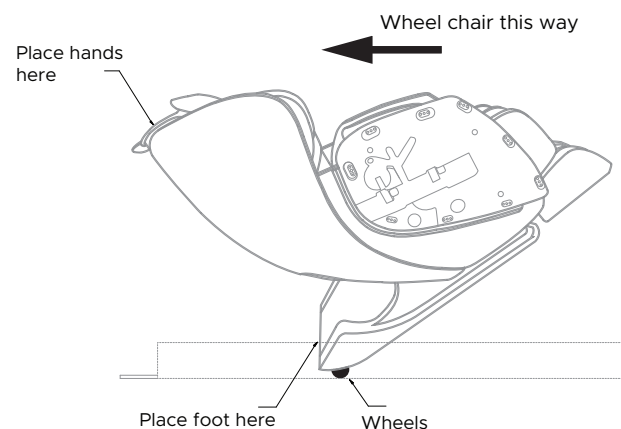
STEP 4: Using a box cutter or sharp object, cut the panels on the cardboard tray at the back of the chair. This will create a runway to wheel your chair out onto the floor.



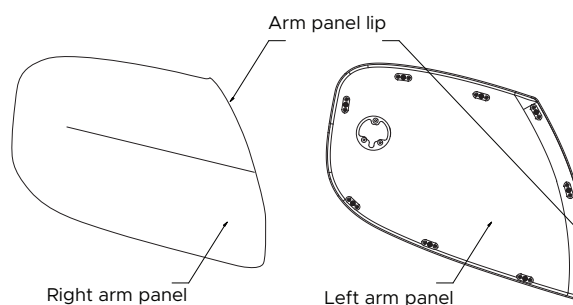
SHARPER IMAGE®

MASSAGE CHAIRS

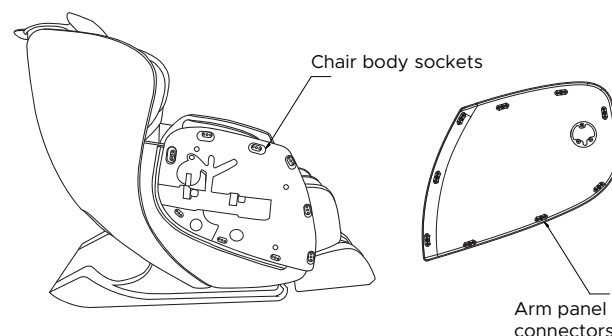
5 STEP 5: Using your foot as a support, lean the chair backwards towards you to tip it up onto the wheels built into the base. Make sure not to tip the chair too far back.



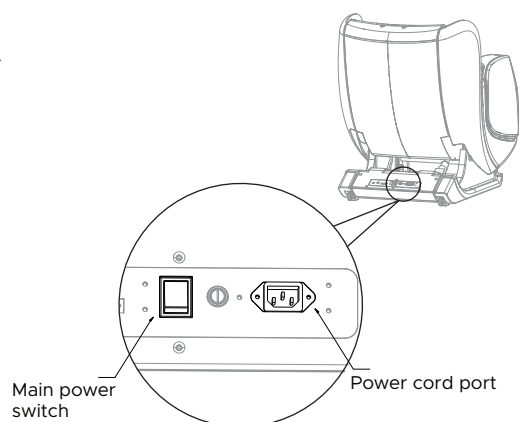
6 STEP 6: Remove the protective covering from the arm panels. Position arm panels on corresponding side of the chair, ensuring that the lip of the arm panel faces towards the front of the chair.



7 STEP 7: To attach the arm panels, align the connectors on the arm panels with the sockets on the chair body. Push firmly to connect into place.



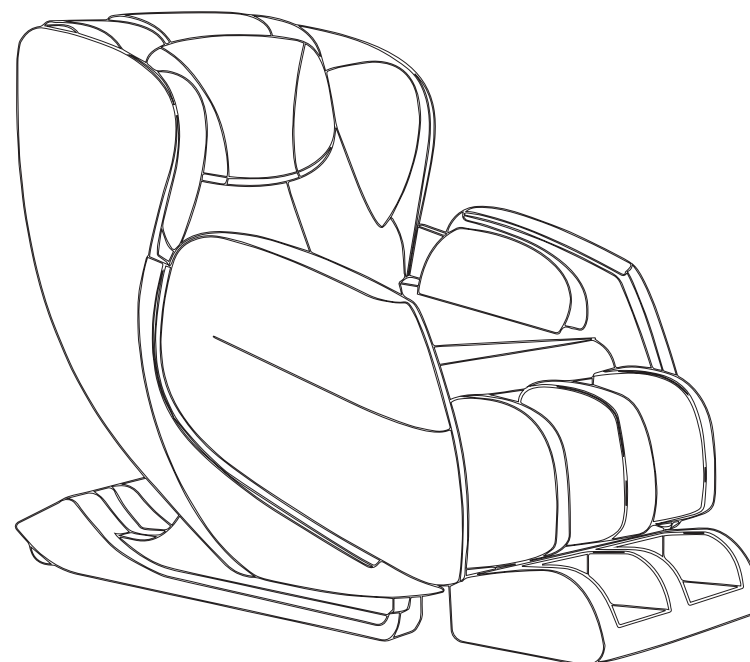
8 STEP 8: Connect the chair's power cord to a grounded 110V electrical outlet and plug it into the respective port on the back side of the base of the chair. Flip the main power switch on.



9 STEP 9: Your remote control should come already attached to the chair body. Remove the plastic wrapping from the remote control and place it in the remote holder located on the right arm of the chair.



FINAL CHECK:



Power on the remote and select a program to start a session.



Review chair for smooth operation. If things are not operating correctly, review all assembly steps. Call Sharper Image support at 888-894-9150 if you need live US-based support.

You are done; time for a Massage!



SCAN CODE

Register your product at www.sharperimagemassagechairs.com/warranty/registration to ensure it is in our system. This will simplify the warranty process should you ever need it.

Alternatively, scan the QR code to go directly to the URL above.