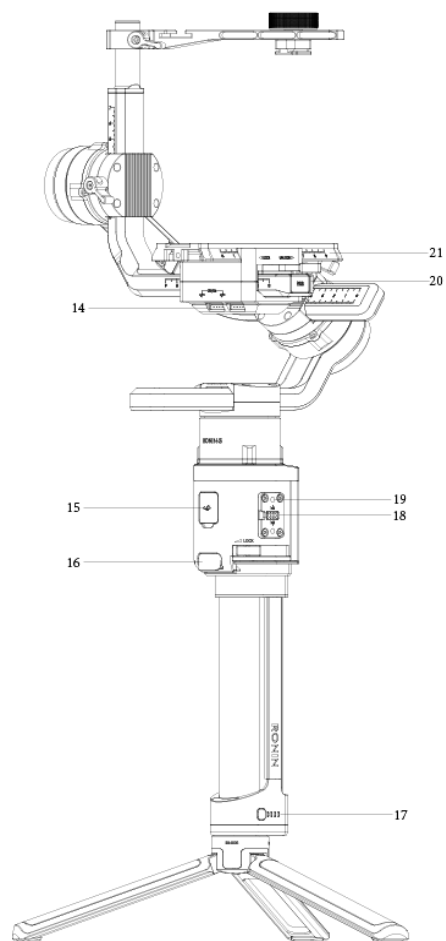
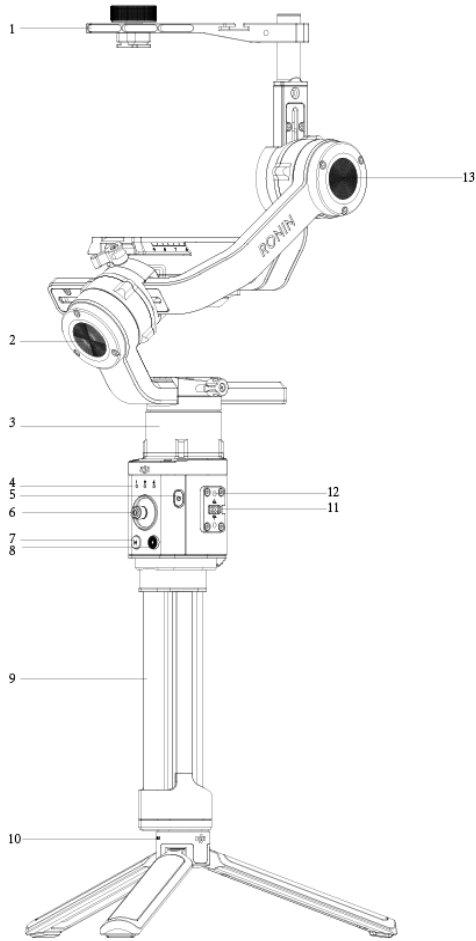


# Ronin-S Quick Start Guide

## Introduction

Designed for DSLR and mirrorless cameras, the Ronin-S combines advanced stabilization, precision control, and manual focus control capabilities in a compact, single-handed form factor. With the Ronin-S, creators can shoot with the freedom of stabilized shots on the move.

Ronin-S comes with several buttons that allows switching between different parameter groups and operating modes easily. The updated SmoothTrack technology and the new Sport mode makes shooting more intelligently. The Ronin-S supports mounting on other platform like tripod, etc. The accessories ports providing full support for add-ons such as a microphone, LED lights, and even a wireless video transmitter. Ronin-S is also compatible with DJI control devices such as Master Wheels and Force Pro.



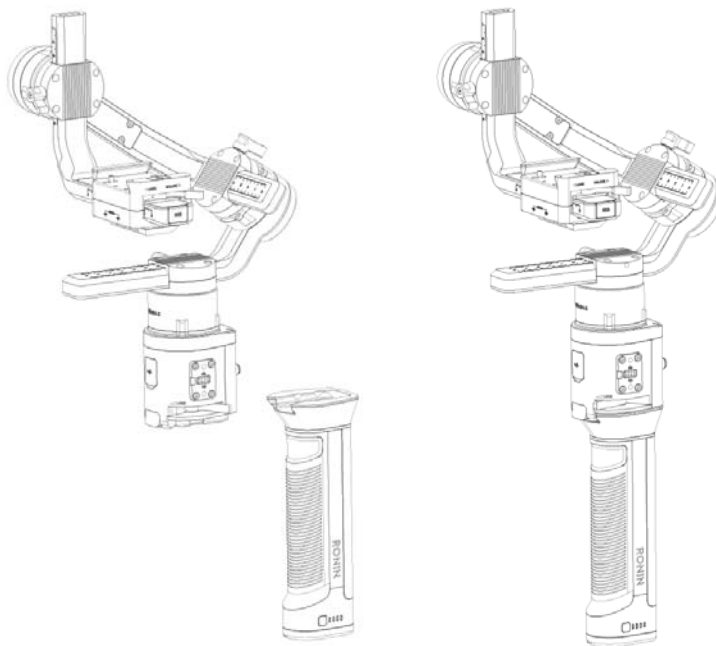
1. Hotshoe Module
2. Roll Motor
3. Pan Motor
4. Profile LED Indicators
5. Power Button
6. Joystick
7. M Button
8. Record Button
9. Battery Grip
10. Tripod
11. 8-Pin Connector
12. M4 Mounting Hole
13. Tilt Motor
14. 12V Accessory Power Port
15. USB-C Port
16. Trigger
17. Battery Level Button/Indicators
18. 8-Pin Connector
19. M4 Mounting Hole
20. Camera Control Port
21. Camera Mounting Base

# Getting Started

- A. Download the Ronin App and Watch the Tutorials.  
Search for “Ronin” in the App Store or Google Play and follow the instructions for installation.  
Watch the tutorial on the official DJI website.  
<https://www.dji.com/ronin-s>
- B. Charge the Battery  
Charge the battery grip using the provided USB Power Adapter and USB-C cable by connecting to the USB-C port on the gimbal.

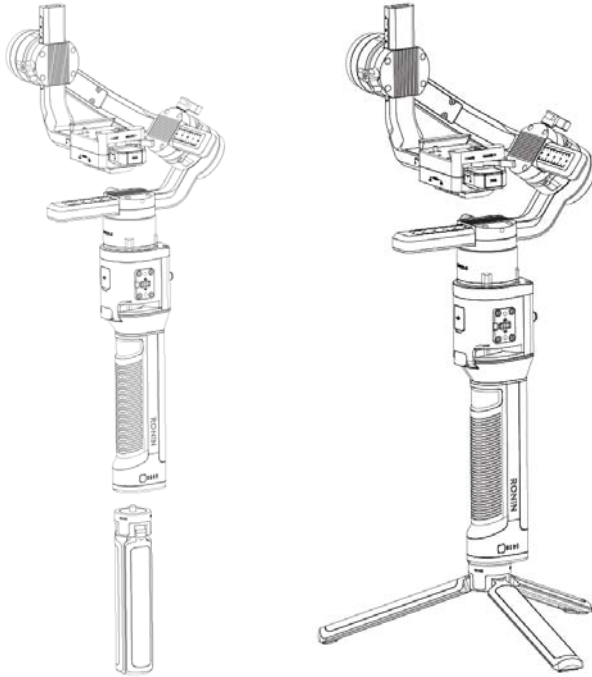
## Mounting the Battery Grip

Attach the gimbal to the battery grip by sliding into the dovetail mount. Toggle the lever to the locked position after mounting firmly.



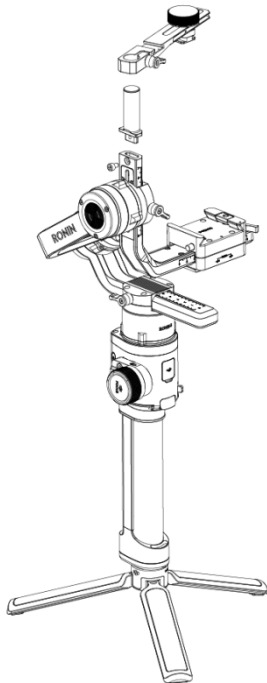
## Attaching the Tripod

Attach the provided tripod to gimbal, toggle the safety lock to the locked position after tighten, and then extend the tripod as shown.

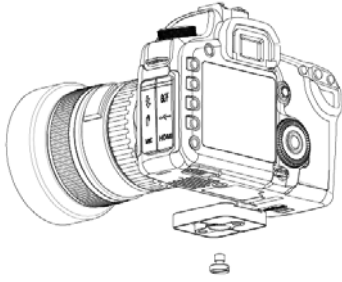


## Mounting the Camera

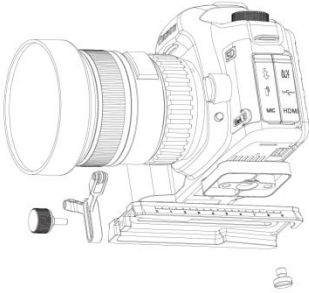
1. Attach the Hotshoe module to the gimbal as shown.



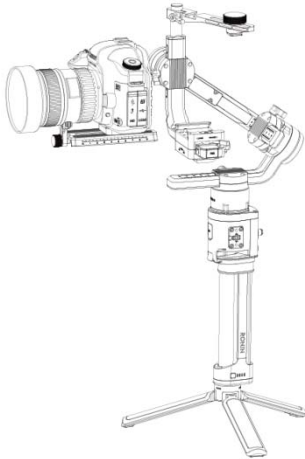
2. Attach the riser plate to the bottom of the camera.



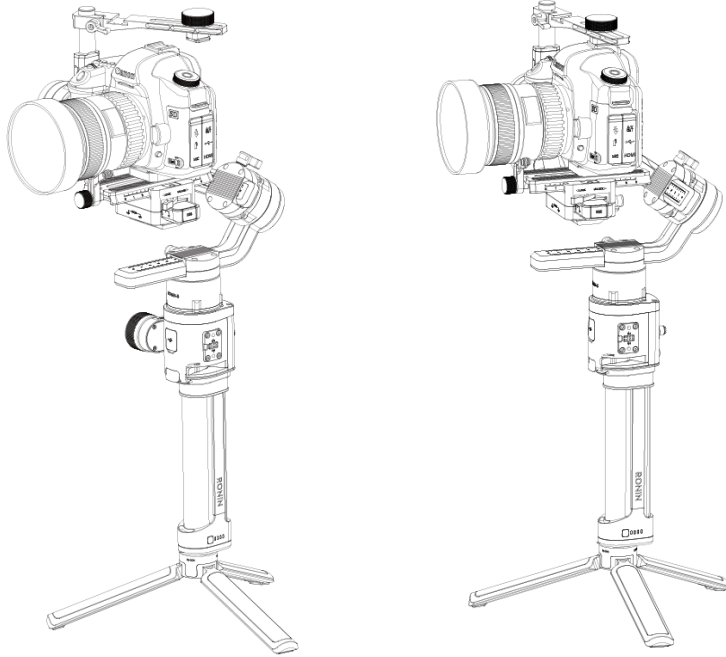
3. Attach the camera dovetail plate and lens support.



4. Slide the camera to the camera mounting base. When reach a roughly back and forth balance, toggle the lever to the locked position after the safety lock is engaged.

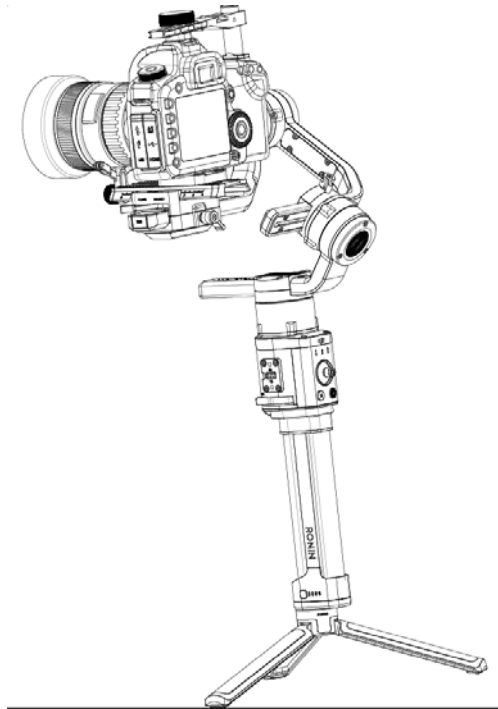


5. Attach the hotshoe module to the top of the camera.



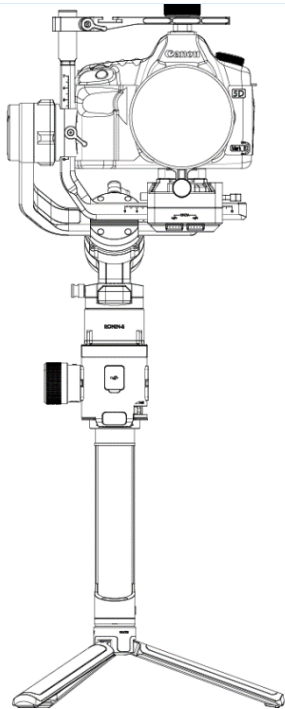
## Balancing

1. Balancing the Vertical Tilt
  - a. Rotate the tilt axis so that the camera lens is pointing up. Hold the tilt axis motor to ensure the roll axis maintains horizon, and find the camera whether it's bottom heavy or top heavy.
  - b. Loosen the knob on the tilt motor, adjust the camera's balance until the camera remains still without tilting up or down.
  - c. Tighten the knob.



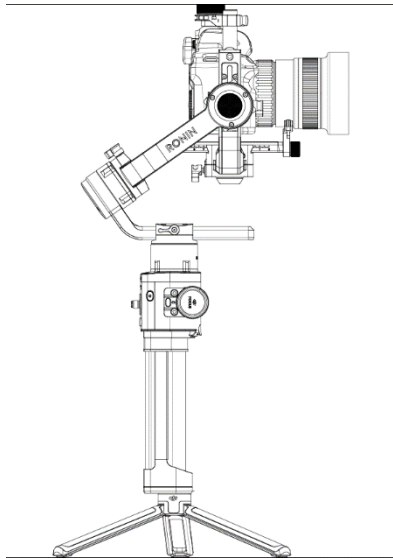
## 2. Balancing Depth for the Tilt Axis

- a. Rotate the tilt axis so that the camera lens is pointing forward. Hold the tilt motor to find whether it's bottom heavy or top heavy.
- b. Toggle the lever to the unlocked position and loosen the hotshoe knob, adjust the camera's balance until the camera remains still when rotating the tilt axis 45 degrees upwards or downwards.
- c. Toggle the lever to the locked position and tighten the hotshoe knob.



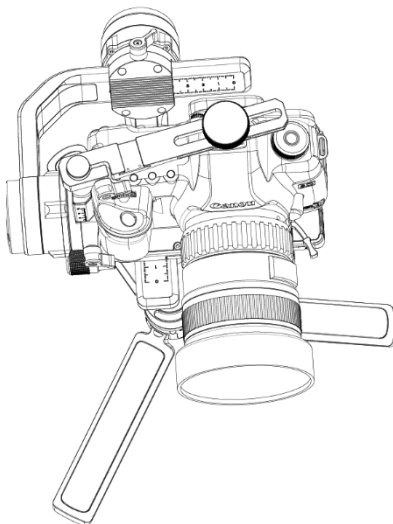
## 3. Balancing the Roll Axis

- a. Let go of the tilt motor and observe in which direction the motor swings.
- b. Loosen the roll axis knob and adjust the camera's balance until the camera remains still when rotating the tilt axis 45 degrees to the left or right.
- c. Tighten the knob.



#### 4. Balancing the Pan Axis

- a. Grab the battery grip then tilt the entire Ronin-S sideways and observe how the pan axis spins.
- b. Loosen the knob on pan motor, adjust the camera's balance until the camera remains still when rotating the pan axis 45 degrees while lifting the grip.
- c. Tighten the knob.





# Activating the Ronin-S

1. Press and hold the Power button to turn on the Ronin-S.
2. On your mobile device, switch on Bluetooth and launch the Ronin App.
3. With a secure internet connection, follow the onscreen instructions to activate Ronin-S for the first time.

## Operations

1. Auto Tune: Launch the Ronin App and Enter the Motor settings page and select Auto Tune. You can also manually adjust the Stiffness, Strength, Filter, and Control values are advanced settings and should only be adjusted with proper knowledge.
2. Enter the SmoothTrack settings page to adjust Speed, Deadband, and Acceleration values for the pan, tilt, and roll axes separately. There are 3 profiles in total so you can easily prepare the most suitable settings sequentially and then quickly switch in between them with a simple press on the 'M' button.
3. Push the Joystick up or down to control tilt axis movement. Push the Control Joystick left or right to control pan axis movement.
4. Press the record button to start/stop recording. (Camera control cable connection is required)
5. Trigger: Press and hold the trigger to enter lock mode. Press twice to recenter the gimbal. Press three times to take a selfie.

## Specifications

Weight	Approx.2.04 kg (gimbal, battery grip and tripod included)
Dimensions	Approx. 293x256x590 mm
Input Power	Model: RB1-2400mAh-14.4V Type: LiPo Capacity: 2400 mAh Energy: 34.56 Wh
Working Current	Static Current: 0.16 A
Operating Frequency	2400MHz to 2483.5 MHz
Transmitter Power	-2.13 dBm
Max. Antenna Gain	0.3dBi
Operating Temperature	-4° to 113° (-20°C to 45°C)

# Compliance Information

## FCC Compliance Notice

This device complies with Part 15 of the FCC Rules. Operation is subject to the following two conditions:

- (1) This device may not cause harmful interference, and
- (2) This device must accept any interference received, including interference that may cause undesired operation.

Any changes or modifications not expressly approved by the party responsible for compliance could void the user's authority to operate the equipment.

This equipment has been tested and found to comply with the limits for a Class B digital device, pursuant to part 15 of the FCC Rules. These limits are designed to provide reasonable protection against harmful interference in a residential installation. This equipment generates, uses and can radiate radio frequency energy and, if not installed and used in accordance with the instructions, may cause harmful interference to radio communications. However, there is no guarantee that interference will not occur in a particular installation. If this equipment does cause harmful interference to radio or television reception, which can be determined by turning the equipment off and on, the user is encouraged to try to correct the interference by one or more of the following measures:

- Reorient or relocate the receiving antenna.
- Increase the separation between the equipment and receiver.
- Connect the equipment into an outlet on a circuit different from that to which the receiver is connected.
- Consult the dealer or an experienced radio/TV technician for help.

## RF Exposure Information

This equipment complies with FCC radiation exposure limits set forth for an uncontrolled environment. This transmitter must not be co-located or operating in conjunction with any other antenna or transmitter.

## ISED RSS Warning

This device complies with ISED licence-exempt RSS standard (s). Operation is subject to the following two conditions: (1) this device may not cause interference, and (2) this device must accept any interference, including interference that may cause undesired operation of the device.

Le présent appareil est conforme aux CNR d'ISED licenciables aux appareils radio exempts de licence.

L'exploitation est autorisée aux deux conditions suivantes:

- (1) l'appareil ne doit pas produire de brouillage, et
- (2) l'utilisateur de l'appareil doit accepter tout brouillage radioélectrique subi, même si le brouillage est susceptible d'en compromettre le fonctionnement.

### ISED Radiation Exposure Statement:

This equipment complies with ISED RF radiation exposure limits set forth for an uncontrolled environment. This transmitter must not be co-located or operating in conjunction with any other antenna or transmitter.

Cet appareil est

Conforme aux limites d'exposition de rayonnement RF ISED établies pour un environnement non contrôlé.

Cet émetteur ne doit pas être co-implanté ou fonctionner en conjonction avec toute autre antenne ou transmetteur.

Any Changes or modifications not expressly approved by the party responsible for compliance could void the user's authority to operate the equipment.

### KCC Warning Message

“해당 무선설비는 운용 중 전파혼신 가능성이 있음”



인증받은자의 상호: SZ DJI Osmo Technology Co., Ltd.

제품명/모델명: 특정소출력무선기기(무선데이터통신시스템용무선기기)RS1

제조사및제조국가: SZ DJI Osmo Technology Co.,Ltd. /China

제조년월: 2018-04

인증번호: R-CRM-osm-RS1

해당 무선설비는 전파혼신 가능성이 있으므로 인명안전과 관련된 서비스는 할 수 없음

### NCC Warning Message

低功率電波輻射性電機管理辦法

第十二條 經型式認證合格之低功率射頻電機，非經許可，公司、商號或使用者均不得擅自變更頻率、加大功率或變更原設計之特性及功能。

第十四條 低功率射頻電機之使用不得影響飛航安全及干擾合法通信；經發現有干擾現象時，應改善至無干擾時方得繼續使用。前項合法通信，指依電信法規定作業之無線電通信。低功率射頻電機須忍受合法通信或工業、科學及醫療用電波輻射性電機設備之干擾。

**EU Compliance Statement:** SZ DJI Osmo Technology Co., Ltd. hereby declares that this device is in compliance with the essential requirements and other relevant provisions of the RED Directive.

A copy of the EU Declaration of Conformity is available online at [www.dji.com/euro-compliance](http://www.dji.com/euro-compliance).



**Warning:** Operation of this equipment in a residential environment could cause radio interference.

EU contact address: DJI GmbH, Industriestrasse. 12, 97618, Niederlauer, Germany

**Declaración de cumplimiento UE:** SZ DJI Osmo Technology Co., Ltd. por la presente declara que este dispositivo cumple los requisitos básicos y el resto de provisiones relevantes de la RED Directiva.

Hay disponible online una copia de la Declaración de conformidad UE en [www.dji.com/euro-compliance](http://www.dji.com/euro-compliance).

Dirección de contacto de la UE: DJI GmbH, Industriestrasse. 12, 97618, Niederlauer, Germany

**EU-verklaring van overeenstemming:** SZ DJI Osmo Technology Co., Ltd. verklaart hierbij dat dit apparaat voldoet aan de essentiële vereisten en andere relevante bepalingen van RED Richtlijn.

De EU-verklaring van overeenstemming is online beschikbaar op [www.dji.com/euro-compliance](http://www.dji.com/euro-compliance)

Contactadres EU: DJI GmbH, Industriestrasse. 12, 97618, Niederlauer, Germany

**Declaração de conformidade da UE:** A SZ DJI Osmo Technology Co., Ltd. declara, através deste documento, que este dispositivo está em conformidade com os requisitos essenciais e outras disposições relevantes da RED Diretiva.

Existe uma cópia da Declaração de conformidade da UE disponível online em [www.dji.com/euro-compliance](http://www.dji.com/euro-compliance)

Endereço de contacto na UE: DJI GmbH, Industriestrasse. 12, 97618, Niederlauer, Germany

**Dichiarazione di conformità UE:** SZ DJI Osmo Technology Co., Ltd. dichiara che il presente dispositivo è conforme ai requisiti essenziali e alle altre disposizioni rilevanti della RED direttiva.

Una copia della dichiarazione di conformità UE è disponibile online all'indirizzo Web [www.dji.com/euro-compliance](http://www.dji.com/euro-compliance)

Indirizzo di contatto UE: DJI GmbH, Industriestrasse. 12, 97618, Niederlauer, Germany

**Déclaration de conformité UE :** Par la présente, SZ DJI Osmo Technology Co., Ltd. déclare que cet appareil est conforme aux principales exigences et autres clauses pertinentes de la RED directive européenne.

Une copie de la déclaration de conformité UE est disponible sur le site [www.dji.com/euro-compliance](http://www.dji.com/euro-compliance)

Adresse de contact pour l'UE : DJI GmbH, Industriestrasse. 12, 97618, Niederlauer, Germany

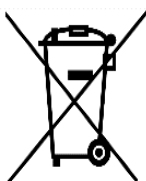
**EU-Compliance:** Hiermit erklärt SZ DJI Osmo Technology Co., Ltd., dass dieses Gerät den wesentlichen Anforderungen und anderen einschlägigen Bestimmungen der RED-Richtlinie entspricht.

Eine Kopie der EU-Konformitätserklärung finden Sie online auf [www.dji.com/euro-compliance](http://www.dji.com/euro-compliance).

Kontaktadresse innerhalb der EU: DJI GmbH, Industriestrasse. 12, 97618, Niederlauer, Germany

CAUTION: RISK OF EXPLOSION IF BATTERY IS REPLACED BY AN INCORRECT TYPE. DISPOSE OF USED BATTERIES ACCORDING TO THE INSTRUCTIONS

Environmentally friendly disposal



Old electrical appliances must not be disposed of together with the residual waste, but have to be disposed of separately. The disposal at the communal collecting point via private persons is for free. The owner of old appliances is responsible to bring the appliances to these collecting points or to similar collection points. With this little personal effort, you contribute to recycle valuable raw materials and the treatment of toxic substances.

#### Thailand Warning message

เครื่องโทรคมนาคมและอุปกรณ์นี้ มีความสอดคล้องตามข้อกำหนดของ กทช.

#### Mexico Warning message

“La operación de este equipo está sujeta a las siguientes dos condiciones: (1) es posible que este equipo o dispositivo no cause interferencia perjudicial y (2) este equipo o dispositivo debe aceptar cualquier interferencia, incluyendo la que pueda causar su operación no deseada.”

#### Brazil Warning message

Este equipamento opera em caráter secundário, isto é, não tem direito a proteção contra interferência prejudicial, mesmo de estações do mesmo tipo, e não pode causar interferência a sistemas operando em caráter primário

#### UAE logo requirements

The characters shall appear in black print against a white background.

No character shall be less than 2mm in height.

The letters “TRA” shall be atleast 3mm in height.

