

# INSTRUCTION MANUAL

MODEL: VTA-370BA.1

Important Safety Instructions .....	3
Product Overview .....	5
Setup / Basic Operation .....	8
Listening to the FM Radio .....	8
Listening to a CD .....	8
Listening to an External Audio Device (Bluetooth Mode) .....	10
Listening to an External Audio Device (AUX Mode) .....	10
Listening to a Vinyl Record .....	11
Listening to a Cassette Tape .....	11
USB To PC Recording .....	11
Maintenance / Proper Handling .....	12
Specifications .....	14
Troubleshooting Guide .....	15
FCC Statement .....	17
IC Statement .....	18
California PROP 65 Warning .....	18



The lightning flash with arrowhead within an equilateral triangle is intended to alert the user to the presence of uninsulated "dangerous voltage" within the product's enclosure that may be of sufficient magnitude to constitute a risk of electric shock to persons.

## CAUTION

RISK OF ELECTRIC SHOCK  
DO NOT OPEN

**CAUTION: TO PREVENT RISK OF ELECTRIC SHOCK, DO NOT REMOVE COVER (OR BACK). NO USER-SERVICEABLE PARTS INSIDE. REFER SERVICING TO QUALIFIED SERVICE PERSONNEL.**



The exclamation point within an equilateral triangle is intended to alert the user to the presence of important operating and maintenance (servicing) instructions in the literature accompanying the appliance.

**CAUTION:** To reduce the risk of fire or electric shock, do not expose this appliance to rain or moisture.

**WARNING:** To prevent electric shock, do not use this (polarized) plug with an extension cord, receptacle or other outlet unless the blades can be fully inserted to prevent blade exposure.



**WARNING:** Invisible laser radiation when open and interlock failed or defeated. Avoid direct exposure to laser beam.

## Important Safety Instructions

1. Read these instructions – All the safety and operating instructions should be read before this product is operated.
2. Keep these instructions – The safety and operating instructions should be retained for future reference.
3. Heed all warnings – All warnings on the appliance and in the operating instructions should be adhered to.
4. Follow all instructions – All operating and use instructions should be followed.
5. Do not use this apparatus near water – The appliance should not be used near water or moisture – for example, in a wet basement or near a swimming pool, and the like.
6. Clean only with dry cloth.
7. Do not block any ventilation openings. Install in accordance with the manufacturer's instructions.
8. Do not install near any heat sources such as radiations, heat registers, stoves, or other apparatus (including amplifiers) that produce heat.
9. Do not defeat the safety purpose of the polarized or grounding plug. A polarized plug has two blades with one wider than the other. A grounding plug has two blades and a third grounding prong. The wide blade or the third prong is provided for your safety. If the provided plug does not fit into your outlet, consult an electrician for replacement of the obsolete outlet.
10. Protect the power cord from being walked on or pinched particularly at the plugs, convenience receptacles, and at the point where they exit from the apparatus.
11. Only use attachments/accessories specified by the manufacturer.
12. Use only with the cart, stand, tripod, bracket, or table specified by the manufacturer, or sold with the apparatus. When a cart or rack is used, use caution when moving the cart/apparatus combination to avoid injury from tip-over.
13. Unplug the apparatus during lightning storms or when unused for long periods of time.
14. Refer all servicing to qualified personnel. Servicing is required when the apparatus has been damaged in any way, such as power supply cord or plug is damaged, liquid has been spilled or objects have fallen into the apparatus has been exposed to rain or moisture, does not operate normally, or has been dropped.



15.



-This lightning flash with arrowhead symbol within an equilateral triangle is intended to alert the user to the presence of non-insulated "dangerous voltage" within the product's enclosure that may be of sufficient magnitude to constitute a risk of electric shock.

-Warning: To reduce the risk of electric shock, do not remove cover (or back) as there are no user-serviceable parts inside. Refer servicing to qualified personnel.

-The exclamation point within an equilateral triangle is intended to alert the user to the presence of important operating and maintenance instructions in the literature accompanying the appliance.

16.



This equipment is a Class II or double insulated electrical appliance. It has been designed in such a way that it does not require a safety connection to electrical earth.

17. The mains plug is used as disconnect device, the disconnect device shall remain readily operable.

18. WARNING

To reduce the risk of fire or electric shock, do not expose this apparatus to rain or moisture. The apparatus shall not be exposed to dripping or splashing and that no objects filled with liquids, such as vases, shall not be placed on apparatus.

19. The use of the equipment in moderate climate.

20. The ventilation should not be impeded by covering the ventilation openings with items such as, newspapers, tablecloths, curtains, etc.

21. No naked flame sources, such as lighted candles, should be placed on the apparatus.

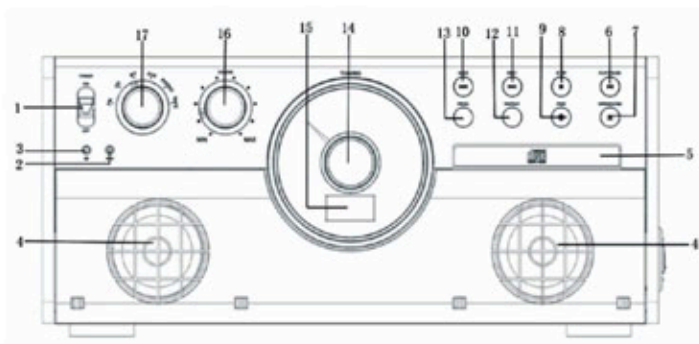
22. The symbol with  $\sim$  Indication AC voltage.

23. CAUTION: These servicing instructions are for use by qualified service personnel only. To reduce the risk of electric shock, do not perform any servicing other than that contained in the operating instructions unless you are qualified to do so.

#### ACCESSORIES INCLUDED

- RCA LINE OUT CABLE
- INSTRUCTION MANUAL
- WARRANTY (BACK OF MANUAL)
- 45 RPM ADAPTER
- TURNTABLE OPERATION SHEET
- USB CABLES
- SOFTWARE CD

## Product Overview



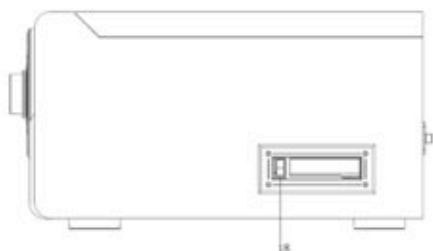
### Front View

1. **POWER:** Toggle to turn the unit on or off.
2. **3.5mm AUX IN JACK:** Connect your external source to the AUX IN jack.
3. **3.5mm HEADPHONE JACK**
4. **STEREO SPEAKERS**
5. **DISC TRAY**
6. **PLAY/PAUSE** : Press to start playback, press again to pause.  
(*Note: This button only works in CD & Bluetooth mode.*)
7. **OPEN/CLOSE** : In CD mode, use to open and close the disc tray.
8. **STOP** : In CD mode, press to stop playback or cancel the program setting.
9. **PAIR:** Press to Pair a new Bluetooth device to the unit. Once the device is connected successfully, you can press the PAIR button to disconnect from your external device.
10. **PREVIOUS TRACK** : In CD & Bluetooth mode, press once to return to the beginning of the current track, press again to return to the previous track.  
In CD mode, press and hold to rewind.
11. **NEXT** : In CD & Bluetooth mode, press once to skip the current track.  
In CD mode, press and hold to forward.
12. **REPEAT:** Press to select the repeat or shuffle mode.
13. **PROG:** In stop mode, press to set the program playback.
14. **RADIO TUNER KNOB:** In FM mode, turn to tune in a station.
15. **LED DISPLAY**
16. **VOLUME KNOB:** Turn to adjust volume.

**17 SELECTION KNOB(FM,CD,BT,AUX,PHONO,TAPE):**

Rotate to select your desire function.

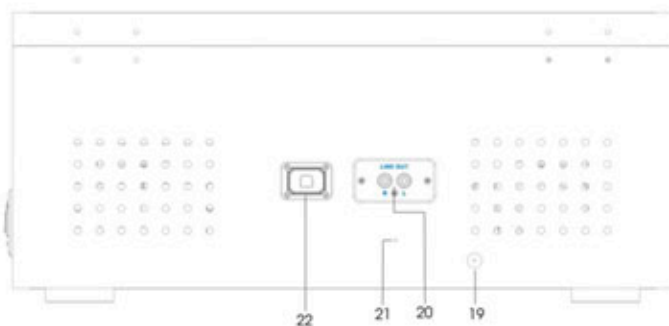
**Left side View**



**18. CASSETTE FF&EJECT:**

Press halfway to fast forward, press all the way to end and eject the tape.

**Rear View**



**19. AC Power Cord**

Connect the AC plugs into a wall outlet.

You're strongly recommended that this product should be operated only from the type of power source indicated on the marking label.

**20. LINE OUT jacks**

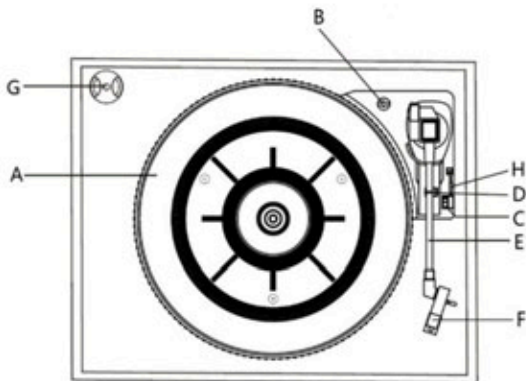
For amplifier device with RCA auxiliary input sockets, insert the white and red plugs on the RCA cable into the unit. Insert the opposite end into the amplifier device. Be sure to connect the white plug to the white jack and the red plug to the red jack.

**21. FM Antenna**

While tuned to a station in FM mode, extend the wire and reposition to adjust for best reception.

**22. USB JACK**

**Parts of the Turntable**



**A. Turntable.**

**B. Safety Screw (for transport)** Before using the unit, turn the screw **clockwise** using a coin or screwdriver. **Important:** When you transport the unit, turn the screw **counterclockwise** to secure the turntable.

**C. Speed Selector.**

**D. Tone Arm holder.**

**E. Tone Arm.** Before use, completely loosen the twist tie on the tone arm and uplift tone arm.

**F. Stylus.**

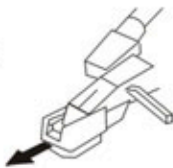
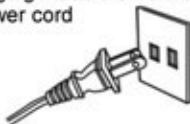
**G. 45 RPM adaptor.**

**H. Cue-lever.** Use this lever to lift the tone arm.

## Setup / Basic Operation

### Setup

1. Remove white protective needle cover by gently pulling towards front of unit.
2. Remove any packaging materials from the unit.
3. Connect the AC power cord to a wall outlet.



### Note:

-You're strongly recommended that this product should be operated only from the type of power source indicated on the marking label.

-To prevent interference, avoid bundling audio signal cables together with the AC power cord.

### Basic Operation

1. Move the POWER toggle to the ON position. The LED light around the radio dial will light up.
2. Select a play mode by rotating the function knob (FM/CD /BT/AUX/PHONO/TAPE).
3. Rotate the VOLUME knob to adjust the desired level of sound.

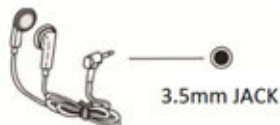
### Listening through RCA LINE OUT

For amplifier device listening, first reduce the volume level to minimum. Insert the white and red plugs on the RCA cable into the back of the unit, then insert the opposite end into your amplifier device. Be sure to connect the white plug into the white jack and the red plug into the red jack.

### Listening through Earphones/Headphones (not included)

For private listening, first reduce the volume level to minimum. Insert your headphones' plug into the 3.5mm jack, then adjust the volume up by turning the VOLUME knob.

**Note:** The speakers will automatically be deactivated while headphones are plugged in.



### CONDENSATION WARNING:

When the unit is moved from a cold or warm place, or is used following a sudden temperature change, there is the danger that water vapor in the air may condense on the unit, preventing proper operation. In such cases, leave the unit for 1-2 hours after plugging it into an AC outlet to allow it to stabilize at the temperature of its surroundings.

## Listening to the FM Radio

1. Rotate the Function Knob to select "FM". The LED Display will display "rad".
2. Tune to the desired station using the Radio Tuner Knob.

## Listening to a CD

1. Rotate the Function Knob to select CD. The LED Display will display "Cd--".  
**(Note: When no disc is set, "disc" will appear on the display.)**
2. Press the OPEN/CLOSE (▲) button to open the tray.  
**(Note: This button only works in CD mode.)**
3. Place a disc on the tray with the printed label face up.
4. Press the OPEN/CLOSE button (▲) to close the tray.
5. After that the number of tracks will show on the display and it will begin to playback





from the first track automatically.

6. To temporarily pause playback, press the PLAY/PAUSE button (▶||). Press again to resume.
7. To return to the previous or skip tracks, press the corresponding button (◀◀ or ▶▶). Pressing ◀◀ once will restart the current track. Pressing ◀◀ twice in succession will return to the beginning of the previous track.
8. To Fast Forward / Rewind within a track, press and hold down the corresponding skip button until the desired position is reached.
9. To stop playback, press the STOP ■ button

**Important:**

- Never place more than one disc on the tray.
- The disc must be placed in the center of the disc tray. An incorrectly loaded disc can permanently damage the tray door mechanism.
- Do not push the CD tray – always use the OPEN/CLOSE button.
- It takes a moment for the unit to load a disc, during which all buttons will be temporarily deactivated.

**Repeat Playback**

Each time the REPEAT button is pressed, the repeat mode will cycle through the following options:

**REPEAT ONE(Repeat one track)**

The "REPEAT ONE" icon will appear on the display and the current track will be played repeatedly. If you press the (◀◀ or ▶▶) button to select another track, the track you select will be played repeatedly.

**REPEAT ALL (Repeat the entire CD)**

The "REPEAT ALL" icon will show on the display and the entire CD will be played repeatedly.

**SHUFFLE**

The "SHUFFLE" icon will appear on the display. Playing the tracks on a CD mode in a random sequence.

**Notes:**

- Repeat playback works with CD discs only.
- Pressing (▶▶) during shuffle playback will randomly select the next track.
- A track cannot be repeated during shuffle playback.
- Shuffle playback doesn't work during programmed playback.

To cancel the REPEAT or SHUFFLE mode, press the REPEAT button repeatedly till the right side icon disappear from the display.

**Programmed Playback**

Up to 20 tracks can be programmed to play in the desired order.

**Notes:**

- Programmed playback works with CD discs only.

1. Select "CD" mode, then load a CD.
2. While the CD is stopped, press the PROGRAM button.
3. "PROG" indicator lights up and "P01" blinks on the display.
4. Press (◀◀ or ▶▶) to select a track number.
5. Press the PROGRAM button again to set the next program track, "P02" appears and blinks. Repeat steps 4 through 5 to program the additional tracks.
6. When the selection of track numbers has been finished, press the PLAY

button (▶||) to start program playback.

(Note: when all 20 program tracks are finalized, press the PROGRAM button once and "FI" will appear on the display)

7. Press the STOP (■) button twice to cancel the program mode and then the "PROG" will disappear from the display.

To check the programmed order

In the stop mode, press (◀◀ or ▶▶) repeatedly to show the track numbers that have been programmed.

To add a track to the end of the programmed order:

In the stop mode, press the PROGRAM button.

Select a track number by pressing (◀◀ or ▶▶), then press the PROGRAM button.

The current track will be added to the end of the program.

## Listening to an External Audio Device (Bluetooth Mode)

*In BT (Bluetooth) mode, this unit can play music from external devices which have a built-in Bluetooth feature.*

### GETTING CONNECTED USING BLUETOOTH

1. Rotate to select "BT" function. The LED Display will display "bt".

2. The "BT" LED Display will flash while searching for a device.

3. On your external device turn ON the Bluetooth function.

**NOTE:** The effective distance between your external device and this apparatus is 10 meters (33ft).

4. Wait a moment for "VTA-370B" to appear on the devices list. Press "VTA-370B"

to connect to the unit. Sometimes a window will ask you for a password. Fill in "0000" then press "OK" on your external device.

5. Once the Bluetooth connection is successful the "BT" Indicator will remain lit.

6. You can press BACK or NEXT button to skip the previous/next track or control on your device.

### **NOTE:**

- The PAIR Button will allow you to disconnect from your external while remaining in BT mode.

Simply press the PAIR button to disconnect and search for a new device. Follow the pairing directions above to connect to the new device.

- Fast Forward / Rewind is only available on your external device.

## Listening to an External Audio Device (AUX Mode)

Rotate to select "AUX" function. The LED Display will display "AUX"

*In AUX (auxiliary) mode, this unit can play audio from an external device (iPod, MP3 Player, Portable CD Player, etc.)*


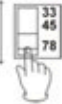
*There is an AUX IN jack on the front of the unit. When connecting a device that has a headphone jack, use a 3.5mm cable on both ends to connect the external device with the apparatus.*

1. Plug one end of the 3.5mm cable (not included) into the AUX IN jack.

2. Plug the other end of the cable into the headphone jack of the external device.

**NOTE:** All operations are only available on your external device.

## Listening to a Vinyl Record

1. Rotate to select "PHONO" function. The LED Display will display "PHON".
2. Gently open the top cover.  
**Note:** *Be careful not to pinch your finger when opening/closing the top cover.*
3. Place a vinyl record on the turntable. When playing a 45 RPM record, use the included adaptor.
4. Select the appropriate speed.  

5. Remove the tone arm rest holder to release the tone arm.
6. Gently raise the arm by using the tone arm lever. Move the tone arm to the edge of the record (or the starting point of a track) and lower the arm onto the record using the tone arm lever. The turntable will begin to turn.
7. When the record reaches its end, tone arm will stop at the center of the record and you must lift and return the tone arm to the tone arm rest manually. Lock the tone arm in the rest holder to protect the tone arm.

### **Important:**

- Closing the top cover will help prevent dust from settling on the turntable.
- Always relock the tone arm clip before transporting the unit.
- Do not place anything on top of the turntable cover, especially while playing a record.

## Listening to a Cassette Tape

1. Rotate to select "TAPE" function. The LED Display will display "TAPE". Load an audio cassette tape into the unit (located on the left side of the unit). Playback will automatically begin.
2. Press button halfway to Fast Forward the tape.  
Press button lightly and playback will resume.
3. Press button completely down to end playback and eject tape.

## USB To PC Recording

To properly record your vinyl to MP3 via computer, use the included USB Output Cable and Instructional CD Software. Connect one end of the USB cable to the turntable and the other end into your computer. Then connect the AC power cord to the turntable. To install and use the software on your computer, select the proper Mac or PC install files, then follow the prompts provided on the Instructional CD.

The provided CD disc contains the following software:

- (1) Audacity\_for\_MAC-----For Mac
- (2) Audacity\_for\_WIN -----For Windows

The software is compatible with Window XP, VISTA, 7, 8 & 10 and Mac.

### **NOTE:**

- Read about Audacity on Windows 10, Windows 8, Windows 7 and Vista.
- A CPU that supports SSE2 is required (any CPU made after 2003 should support this). Please use the legacy Audacity 2.0.6 version if your machine lacks SSE2 support.
- Audacity is for Intel Macs running OS X 10.6 and later and macOS 10.12 Sierra and 10.13 High Sierra. Audacity runs best with at least 1 GB RAM and a 1 GHz processor (2 GB RAM/2 GHz on OS X 10.7 and later).
- For lengthy multi-track projects, we recommend a minimum of 2 GB RAM and 2 GHz processor (4 GB RAM on OS X 10.7 and later).

Because of the variation of different operation systems, some of the interface may not be the same as below.

For the most up to date manuals, software, instructional details, troubleshooting or other downloadable content, please go to <http://audacityteam.org>.

## Maintenance / Proper Handling

### Compact Disc Handling

- Always place the disc on the disc tray with the label side facing upward (compact discs can be played/recorded only on one side)
- To remove a disc from its storage case, press down on the center of the case and lift the disc upward, holding it carefully by its edges.
- To clean a disc, wipe the surface from the center hole outward towards the outer edge with a soft, dry cloth.
- Never use such chemicals as record spray, antistatic sprays or fluid, benzine or thinner to clean discs; they will irreparably damage the disc's plastic surface.
- Discs should be returned to their cases after use to protect from dust and scratches.
- Do not expose discs to direct sunlight, high humidity, or high temperature for extended periods of time.
- Printable CD-R and CD-RW discs are not recommended, as the label side may become sticky and damage the unit.
- Use a soft oil-based felt-tipped pen to write information on the label side. Never use a ball-point or hard-tipped pen, as doing so may damage the recorded side.
- Do not use irregularly-shaped CDs (octagonal, heart shaped, business card size, etc), as they will damage the unit.
- Read all precautions supplied with any CD-R or CD-RW disc
- Never handle a disc with dirty fingers.
- Never insert a disc that has a crack on the surface.

### Handling Vinyl Records

- Do not touch the record's grooves. Only handle records by the edges or the label with clean hands. Touching the record surface will cause your record's quality to deteriorate.
- To clean a record, use a soft anti-static cloth to gently wipe the record surface.
- Keep records in their protective sleeves when not in use.
- Always store records upright on their edges
- Avoid placing records in direct sunlight, close to a heat source (radiators, stoves, etc.), or in a location subject to vibration, excessive dust, heat, cold or moisture.

### General Care

- When removing the power plug from the wall outlet, always pull directly on the plug. Never pull the cord.
- To keep the laser pickup clean, do not touch it, and do not forget to close the disc tray.
- Do not attempt to clean the unit with chemical solvents as this might damage the finish.
- For cleaning, only use a clean, dry cloth.
- In order to shut off the power to this product completely, unplug the power cord from the wall outlet. Be sure to unplug the unit if you do not intend to use it for an extended period of time.

### How to Replace the Turntable Stylus(Replacement Needle # ITNP-LC1)

The stylus should last about 50 hours under normal use. However, it is recommended that the stylus be replaced as soon as you notice a change in sound quality. Prolonged use of a worn-out stylus may damage the record. The highest speed of 78 RPM records would wear out the stylus more quickly.

#### Removing the old stylus:

1. Set a screwdriver at the tip of the stylus and push downward (A).
2. Remove the stylus by pulling it simultaneously downward and forward.

#### Installing a new stylus:

1. Hold the front tip of the stylus and insert its rear edge (B) first.



2. Push the stylus upwards (C) until the tip locks into place.

**Caution:**

- *Do not bend the stylus.*
- *Do not touch the needle to avoid injury your hand.*
- *Turn off the unit's power before you replace the stylus.*
- *Keep out of reach of children.*



Guide Pins (inside)

## Specifications

### GENERAL

Power Requirements .....	AC 100-240 V~50/60 Hz
Power Consumption .....	40W
Dimensions (W x H x D) .....	18.9inx 15 inx7.87in(approx.)
	480mmx380mmx200mm (approx.)
Weight .....	18.15 lbs (approx.)
	8.25 kg (approx.)

### AMPLIFIER

Output Power .....	5 W + 5 W
Frequency Response .....	60 to 20,000 Hz

### SPEAKER SYSTEM

Type .....	2-way
Impedance .....	4 ohms
Input Power .....	Max.6W

### FM RADIO

Range .....	88 to 108 MHz
-------------	---------------

### CD PLAYER

Frequency Response .....	60 to 20,000 Hz +/-4 dB
Signal-to-Noise Ratio .....	55 dB (IEC-A)

### CASSETTE PLAYER

Track System .....	4 Track, 2 channel stereo
Tape Speed .....	4.8 cm/sec
Wow and Flutter .....	0.4% (WRMS)
Frequency Response .....	125 to 6300 Hz +/-6 dB

### RECORD PLAYER

Motor .....	DC servo motor
Drive System .....	Belt Drive
Speeds .....	33-1/3rpm, 45 rpm and 78 rpm
S/N Ratio .....	More than 50 dB
Cartridge Type .....	Ceramic Stereo Cartridge
Stylus .....	ITNP-LC1

### BLUETOOTH

Bluetooth Version .....	Bluetooth V5.0
Bluetooth Profiles .....	A2DP, AVRCP
Bluetooth Frequency range .....	2.402GHz-2.480GHz
Operating Distance .....	10 meters

## Troubleshooting Guide

	Symptom	Possible Cause	Solution
<b>GENERAL</b>	<ul style="list-style-type: none"> <li>Unit will not power on.</li> </ul>	<ul style="list-style-type: none"> <li>Unit is unplugged.</li> </ul>	<ul style="list-style-type: none"> <li>Connect the unit to the AC power supply.</li> </ul>
	<ul style="list-style-type: none"> <li>No sound output from speakers.</li> </ul>	<ul style="list-style-type: none"> <li>The volume level is set too low.</li> <li>The input selector does not match the playback source.</li> </ul>	<ul style="list-style-type: none"> <li>Adjust the volume.</li> <li>Select the correct input source.</li> </ul>
	<ul style="list-style-type: none"> <li>Noise/Distortion in sound output.</li> </ul>	<ul style="list-style-type: none"> <li>The unit is too close to a TV set or another interfering device.</li> </ul>	<ul style="list-style-type: none"> <li>Turn off the TV or other appliance, and relocate the unit.</li> </ul>
	<ul style="list-style-type: none"> <li>Unit fails to respond.</li> </ul>	<ul style="list-style-type: none"> <li>It might result from external factors such as ESD (Electro-static discharge).</li> </ul>	<ul style="list-style-type: none"> <li>Disconnect the power cord and external audio device. Re-plug the power cord after one minute.</li> </ul>
<b>TAPE</b>	<ul style="list-style-type: none"> <li>The tape does not play.</li> </ul>	<ul style="list-style-type: none"> <li>The cassette tape is not inserted properly.</li> <li>The tape has reached the end.</li> </ul>	<ul style="list-style-type: none"> <li>Insert the cassette tape correctly.</li> <li>Flip the cassette.</li> </ul>
<b>FMRADIO</b>	<ul style="list-style-type: none"> <li>Cannot listen to any station, or signal appears weak.</li> </ul>	<ul style="list-style-type: none"> <li>The station is not tuned-in properly.</li> <li>A TV set is being used nearby and is interfering with the radio reception.</li> </ul>	<ul style="list-style-type: none"> <li>Properly tune-in the desired station.</li> <li>Turn-off the interfering TV set.</li> </ul>
	<ul style="list-style-type: none"> <li>The sound is distorted.</li> </ul>	<ul style="list-style-type: none"> <li>The antenna is not oriented properly.</li> </ul>	<ul style="list-style-type: none"> <li>Re-orient the antenna until reception improves.</li> </ul>
<b>CD PLAYER</b>	<ul style="list-style-type: none"> <li>CD stops immediately after starting, or unit pauses or stops during play.</li> </ul>	<ul style="list-style-type: none"> <li>The CD is inserted upside down.</li> <li>The CD is dusty or dirty or there is condensation on the CD.</li> </ul>	<ul style="list-style-type: none"> <li>Insert the CD with the printed side right-side up.</li> <li>Carefully clean and dry the CD.</li> </ul>
	<ul style="list-style-type: none"> <li>No sound.</li> </ul>	<ul style="list-style-type: none"> <li>The CD player is paused.</li> </ul>	<ul style="list-style-type: none"> <li>Press the PLAY/PAUSE button.</li> </ul>
	<ul style="list-style-type: none"> <li>CD playback is noisy, or playback stops or skips.</li> </ul>	<ul style="list-style-type: none"> <li>The CD is scratched, damaged or warped.</li> <li>The disc is very dirty.</li> </ul>	<ul style="list-style-type: none"> <li>Replace CD with an undamaged one.</li> <li>Carefully clean the CD.</li> </ul>
	<ul style="list-style-type: none"> <li>CD tray will not open.</li> </ul>	<ul style="list-style-type: none"> <li>FM/BLUETOOTH/AUX/PHONO/TAP E mode is selected.</li> </ul>	<ul style="list-style-type: none"> <li>Select CD mode.</li> </ul>
	<ul style="list-style-type: none"> <li>Buttons are not functioning correctly.</li> </ul>	<ul style="list-style-type: none"> <li>The unit is processing information ("-- Busy" is displayed).</li> <li>The unit needs to be restarted.</li> </ul>	<ul style="list-style-type: none"> <li>Wait until the unit finishes processing.</li> <li>Turn the unit off, then on again.</li> </ul>
<b>PHONO</b>	<ul style="list-style-type: none"> <li>Decline in turntable audio performance.</li> </ul>	<ul style="list-style-type: none"> <li>The turntable stylus is worn out.</li> </ul>	<ul style="list-style-type: none"> <li>Replace the stylus.</li> </ul>
<b>AUX</b>	<ul style="list-style-type: none"> <li>No sound output with external audio device plugged into AUX in jack.</li> </ul>	<ul style="list-style-type: none"> <li>The unit is not on AUX mode.</li> </ul>	<ul style="list-style-type: none"> <li>Ensure the unit is switched to AUX mode.</li> </ul>

<b>Bluetooth</b>	<ul style="list-style-type: none"> <li>No sound.</li> </ul>	<ul style="list-style-type: none"> <li>The unit is not switch to Bluetooth mode.</li> <li>Your device's and/or the unit's volume not turn up.</li> <li>Your device is too far from the unit or there're some obstacle between your device and the unit.</li> </ul>	<ul style="list-style-type: none"> <li>Ensure the unit is switched to BT mode.</li> <li>Move your Bluetooth device closer to unit.</li> <li>Turn up the volume on your portable device and/or the unit.</li> <li>Turn off your Bluetooth device and unit then power them both back on.</li> </ul>
	<ul style="list-style-type: none"> <li>Sound is garbled.</li> </ul>	<ul style="list-style-type: none"> <li>Your device's and/or the unit's volume not adjust properly.</li> </ul>	<ul style="list-style-type: none"> <li>Turn down the volume on your device/phone and the unit.</li> </ul>
	<ul style="list-style-type: none"> <li>Unable to pair with a Bluetooth device.</li> </ul>	<ul style="list-style-type: none"> <li>Your device doesn't have Bluetooth connectivity.</li> <li>The Bluetooth pairing is not successful.</li> </ul>	<ul style="list-style-type: none"> <li>Confirm that your device is Bluetooth compatible.</li> <li>Repair the unit and device again.</li> </ul>

For further assistance with your product, call Innovative Technology at TOLL FREE# 1-877-ITECH-97 (1-877-483-2497).

Please note: As a result of continual improvements, the design and specifications of this product are subject to change without notice.

Bluetooth is a registered trademark of Bluetooth SIG, Inc.

Other trademarks and trade names are those of their respective owners.

Made in China.



## FCC Statement

This device complies with Part 15 of the FCC Rules. Operation is subject to the following two conditions: (1) This device may not cause harmful interference, and (2) this device must accept any interference received, including interference that may cause undesired operation.

NOTE: This equipment has been tested and found to comply with the limits for a Class B digital device, pursuant to Part 15 of the FCC Rules. These limits are designed to provide reasonable protection against harmful interference in a residential installation. This equipment generates uses and can radiate radio frequency energy and, if not installed and used in accordance with the instructions, may cause harmful interference to radio communications. However, there is no guarantee that interference will not occur in a particular installation. If this equipment does cause harmful interference to radio or television reception, which can be determined by turning the equipment off and on, the user is encouraged to try to correct the interference by one of the following measures:

- Reorient or relocate the receiving antenna.
- Increase the separation between the equipment and receiver.
- Connect the equipment into an outlet on a circuit different from that to which the receiver is connected.
- Consult the dealer or an experienced radio/TV technician for help.

WARNING: Any changes or modifications not expressly approved by the party responsible for compliance could void the user's authority to operate this equipment.

The device must not be co-located or operating in conjunction with any other antenna or transmitter.

To maintain compliance with the FCC's RF exposure guidelines, place the product at least 20cm from nearby persons.

## IC Statement

This device complies with RSS247 of Industry Canada. Cet appareil se conforme à RSS247 de Canada d'Industrie. This device complies with Industry Canada license-exempt RSS standard(s). Operation is subject to the following two conditions: (1) this device may not cause interference, and (2) this device must accept any interference, including interference that may cause undesired operation of the device. appareils radio exempts de licence. Son fonctionnement est sujet aux deux conditions suivantes: (1) le dispositif ne doit pas produire de brouillage préjudiciable, et (2) ce dispositif doit accepter tout brouillage reçu, y compris un brouillage susceptible de provoquer un fonctionnement indésirable.

The device must not be co-located or operating in conjunction with any other antenna or transmitter. L'appareil ne doit pas être localisé ou fonctionner avec d'autres antennes ou transmetteurs.

This device complies with IC radiation exposure limits set forth for an uncontrolled environment. Cet appareil est conforme aux limites d'exposition aux rayonnements de la IC établies pour un environnement non contrôlé.

The device should be installed and operated with a minimum distance of 20cm between the radiator and your body. L'appareil doit être installé et utilisé avec une distance minimale de 20 cm entre le radiateur et votre corps.

## California PROP 65 Warning



WARNING: This product can expose you to chemicals including lead, which is known to the State of California to cause cancer and birth defects or other reproductive harm. For more information go to [www.P65Warnings.ca.gov](http://www.P65Warnings.ca.gov).