

ATTIX 30 PC and XC

Model:

ATTIX 30-01

ATTIX 30-11 PC

ATTIX 30-21 PC

ATTIX 30-21 XC



Part List US-English

06-03-2009

Nilfisk
ALTO
Why Compromise

www.nilfisk-alto.com

Table of Contents

ATTIX 30 PC and XC

Cabinet Push Clean & Basic & XC	3
Filtersystem Push Clean & Basic	6
Filtersystem XC	8
Motor Basic and Push Clean	10
Motor XC	12
Container ATTIX 30	14

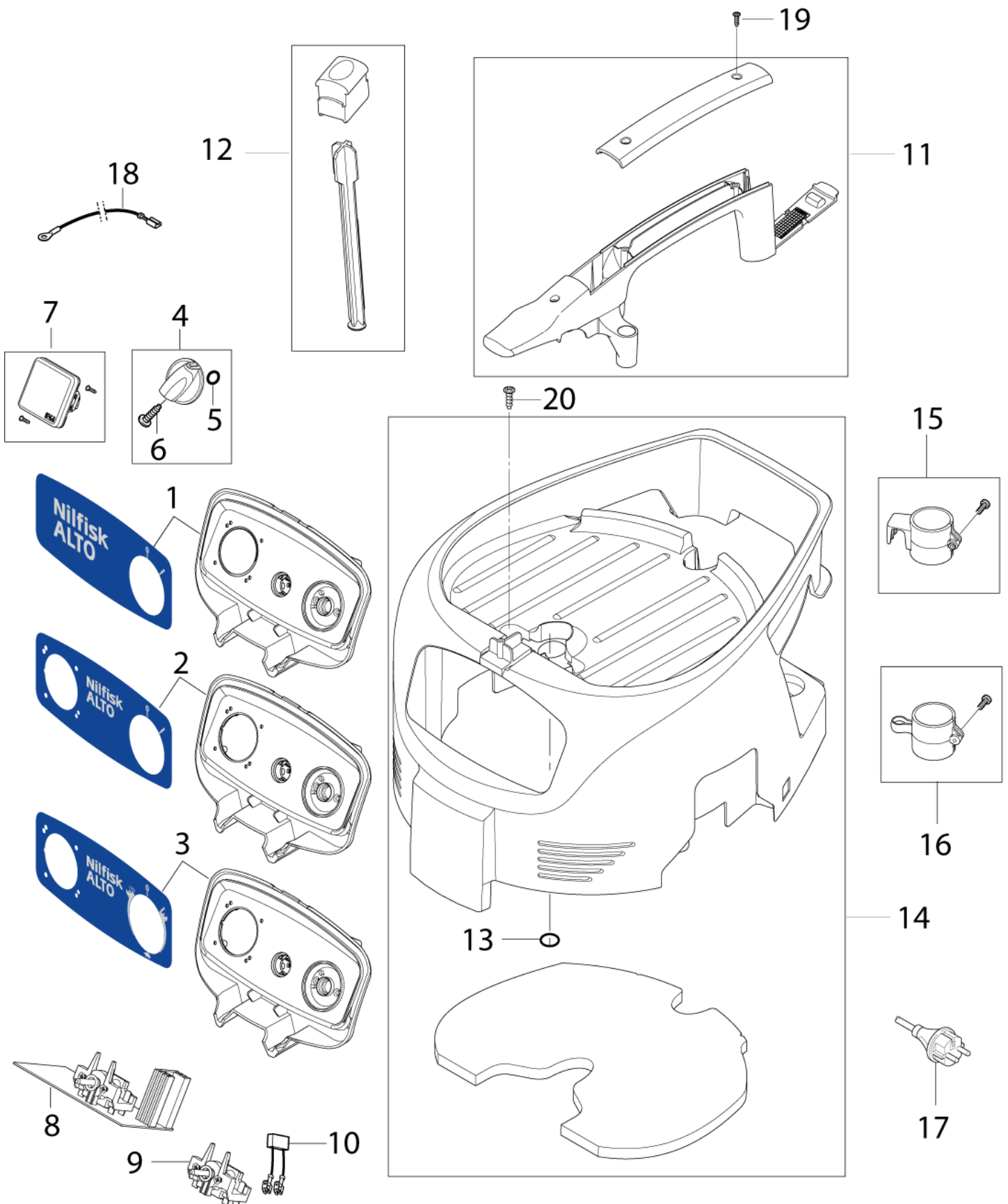
Cabinet Push Clean & Basic & XC

ATTIX 30 PC and XC

06-03-2009

Part List ID
ATTIX3002

3



Cabinet Push Clean & Basic & XC

ATTIX 30 PC and XC

06-03-2009

Part List ID
ATTIX3002

4

Pos	Part no.	Qty	Description		EAN
0	302003502	1	BOX KIT ATTIX 30	ONLY FOR ATTIX 3	4005337140
1	302004047	1	SWITCHBOX NILFISK-ALTO 01PC		4005337148
2	302004048	1	SWITCHBOX NILFISK-ALTO 11PC		4005337148
3	302004049	1	SWITCHBOX NILFISK-ALTO 21PC	for Push clean and XC	4005337148
4	909100204	1	ROTARY KNOB 6X5 BLUE		4005337689
5	9868	1	O RING DIA 10X2,5		4005337098
6	32526	1	SHEET METAL SCREW		4005337325
7	107400057	1	SOCKET 16A/110V GB		4005337148
7	107400058	1	SOCKET 16A/250V GB		4005337148
7	107400059	1	SOCKET 16A/250V CH		4005337148
7	107400060	1	SOCKET 16A/250V DK		4005337148
7	302000149	1	OUTLET BOX 2-P.+PE 15A/125V -US/CSA		4005337008
7	302004034	1	SOCKET 16A/250V EU		4005337147
7	302004036	1	SOCKET 16A/250V FR		4005337147
8	107400260	1	AUTO ON-OFF PCB 230-240V	230-240V	4005337152
8	107400261	1	AUTO ON-OFF PCB XC 100-120V	100-120V	4005337152
8	302004011	1	AUTO ON-OFF SWITCH ELECTRONIC	for -21 PC	4005337147
8	302004060	1	AUTO ON-OFF SWITCH E.SOFTSTART	for -11 PC & -01 PC with softstart	4005337148
9	302004035	1	ON-OFF SWITCH	for -01 PC without softstart	4005337147
10	48338	1	ANTI-INTERFERENCE CAPACITOR		4005337483
11	107400062	1	HANDLE FOR PUSH CLEAN	for Push clean	4005337148
11	302004050	1	HANDLE	Basic/XC	4005337148
12	302004051	1	FILTER DEDUSTER	Only Push Clean models	4005337148
13	302004061	1	O-RING 25X2 NBR 70		4005337148
14	107400061	1	COVER BLACK XC BASIC		4005337148
14	302004046	1	COVER BLACK PC		4005337148
15	302004027	1	TUBE HOLDER HOOK		4005337147
16	107400064	1	TUBE HOLDER SNAP		4005337148
17	107400265	1	CORD H05RR-F 3G1.5 DK		4005337153
17	107400266	1	CORD H05RR-F 2X0.75 CH		4005337153
17	107400267	1	CORD H05RR-F 3G1.0 CH		4005337153
17	107400268	1	CORD H05RR-F 2X0.75 GB		4005337153
17	107400270	1	CORD H05RR-F 3G1.5 BS1 363 GB		4005337153
17	107400271	1	CORD H07BQ-F 3G2.5 GB		4005337153
17	107400272	1	CORD H05RR-F 3G1.5 ZA		4005337153
17	107400273	1	CORD H05RR-F 2X0.75 EU		4005337153
17	302000882	1	POWER CORD SJTW-AWG16/3X8		4005337030
17	302004014	1	CORD H07RN-F2X1X8.05 CEE7 EU		4005337147
17	302004037	1	CORD H05RR-F 3G1.5 CEE7/VI EU		4005337147
17	302004038	1	POWER CORD H07RN-F2X1X8.05		4005337147
17	302004039	1	CORD H05RR-F3GX0.75AS3112 A UNZ		4005337147
17	302004040	1	CORD SJTW-A AWG16/2 JP		4005337148

Cabinet Push Clean & Basic & XC

ATTIX 30 PC and XC

06-03-2009

Part List ID
ATTIX3002

5

Pos	Part no.	Qty	Description	EAN
18	107400263	1	WIRE 2.5 X 250 YE/GR 100-120V	4005337153
18	107400264	1	WIRE 1 X 150 220-240V	4005337153
19	302004032	1	SCREW 3.5X18	4005337147
20	302004029	1	SCREW 5X18	4005337147

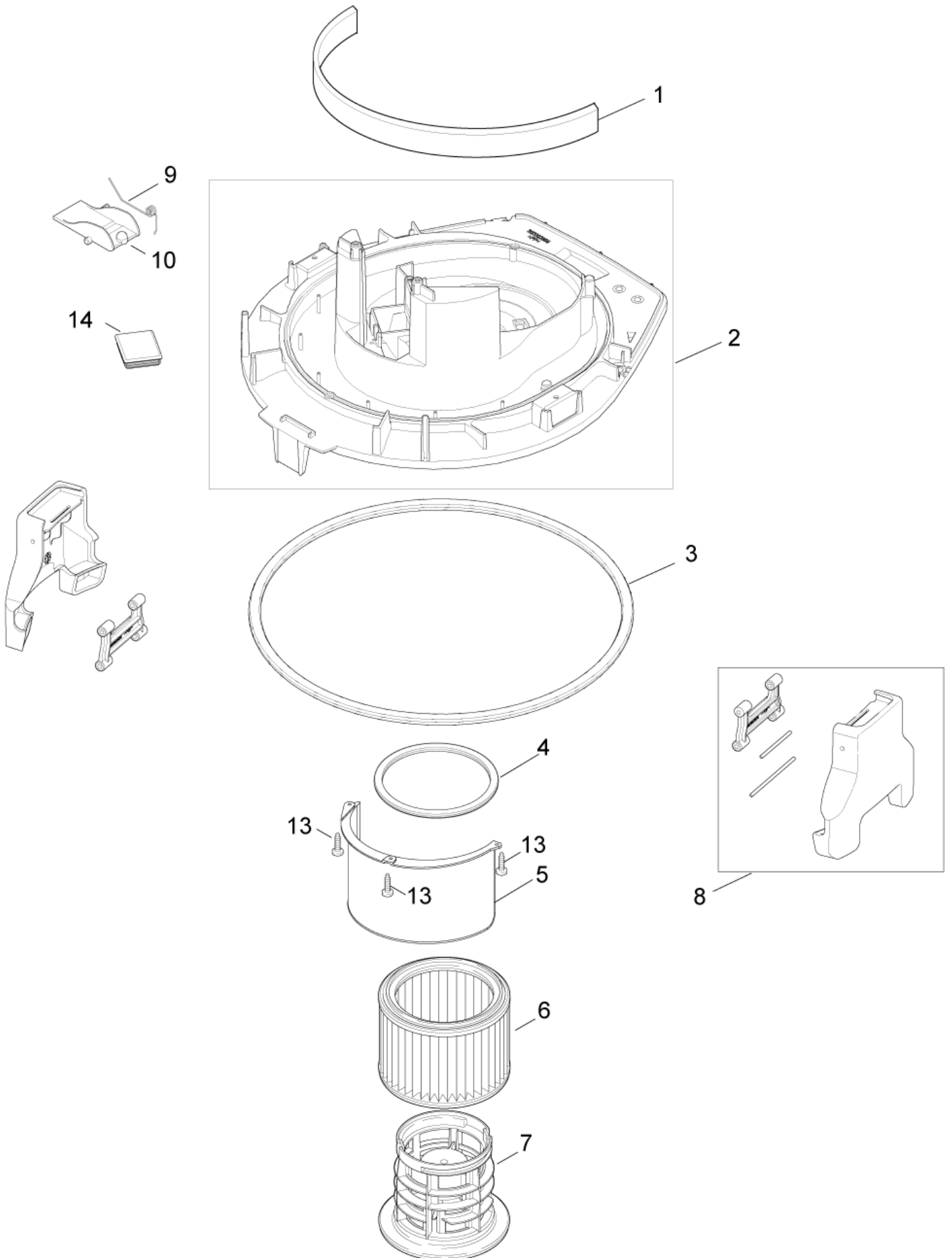
Filtersystem Push Clean & Basic

ATTIX 30 PC and XC

06-03-2009

Part List ID
ATTIX3003

6



Filtersystem Push Clean & Basic

ATTIX 30 PC and XC

06-03-2009

Part List ID
ATTIX3003

7

Pos	Part no.	Qty	Description	EAN
1	302004010	1	SOUND INSULATION FRONT	4005337147
2	302004007	1	BASEPLATE PC	4005337147
3	302004008	1	GASKET FOR CONTAINER	4005337147
4	302000460	1	GASKET FILTER	4005337136
5	302004016	1	DEFLECTOR	4005337147
6	302000490	1	FILTER ELEMENT LD185X19	4005337682
6	302001095	1	FILTER ELEMENT 185X140 HEPA	4005337035
7	302000472	1	FILTER SUPPORT CAGE ATTIX PP	4005337682
8	302004005	2	CONTAINER CLAMP	4005337147
9	909100083	1	TORSION SPRING D0.9X18X45 INOX	4005337679
10	302000344	1	FLAP 79X53X25 ATTIX 3	4005337674
13	302004029	1	SCREW 5X18	4005337147
14	302004058	1	PLUG FOR BASIC	4005337148

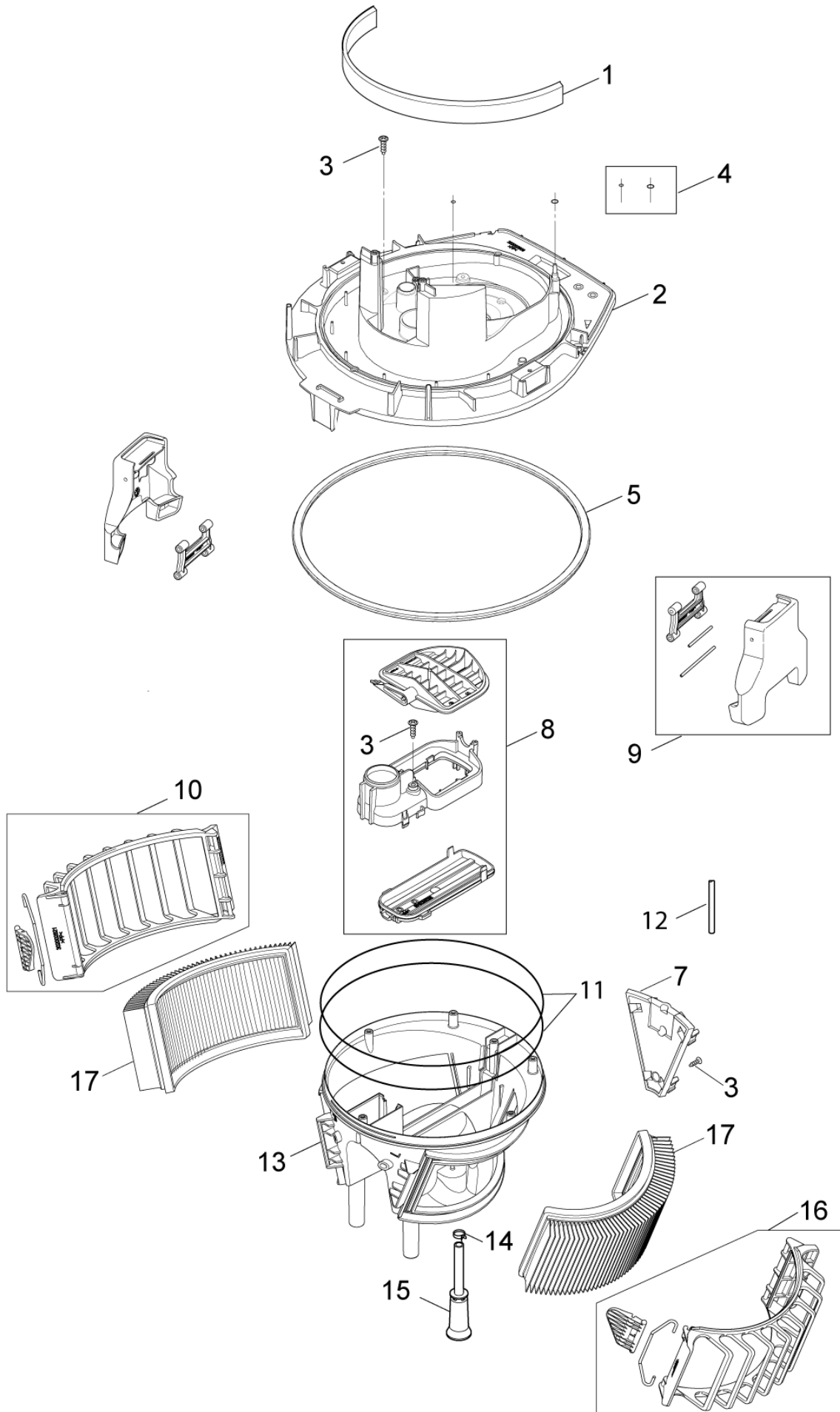
Filtersystem XC

ATTIX 30 PC and XC

06-03-2009

Part List ID
ATTIX3004

8



Filtersystem XC

ATTIX 30 PC and XC

06-03-2009

Part List ID
ATTIX3004

9

Pos	Part no.	Qty	Description	EAN
1	302004010	1	SOUND INSULATION FRONT	4005337147
2	107400275	1	BASEPLATE XC	4005337153
3	302004029	9	SCREW 5X18	4005337147
4	107400274	1	O-RING XC KIT	4005337153
5	302004008	1	GASKET FOR CONTAINER	4005337147
6	107400276	1	SERVO WIRE XC	4005337153
7	107400278	1	FILTERBRACKET PLATE XC	4005337153
8	107400277	1	CX FLAP KIT	4005337153
9	302004005	2	CONTAINER CLAMP	4005337147
10	107400281	1	FILTERCASING FLAT FILTER R	4005337153
11	107400283	1	SEALING FOR XC	4005337153
12	107400280	1	HOSE D3X1.5 FILTER SIDE XC	4005337153
13	107400279	1	FILTERBRACKET XC	4005337153
14	107400285	1	BAND CLAMP FITTING	4005337153
15	107400284	1	HOSE D42X155 FILL LEV. SHUTOFF	4005337153
16	107400282	1	FILTERCASING FLAT FILTER L	4005337153
17	302002842	1	FLAT FILTER SET 2 PCS	5715492039

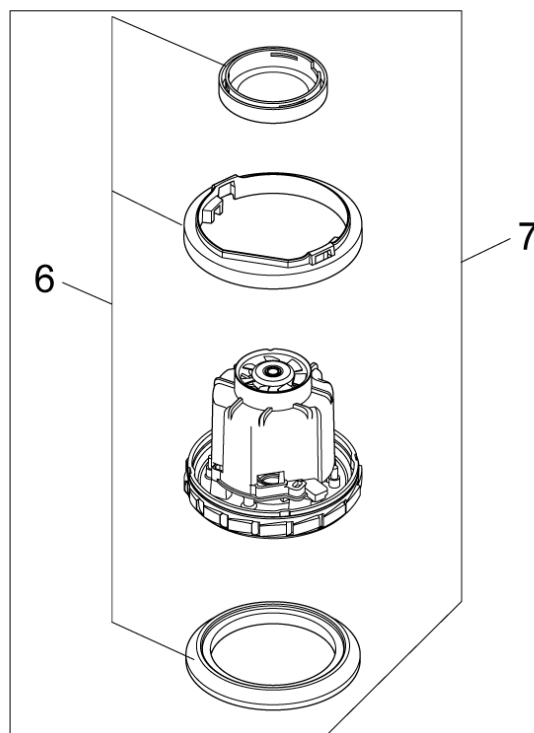
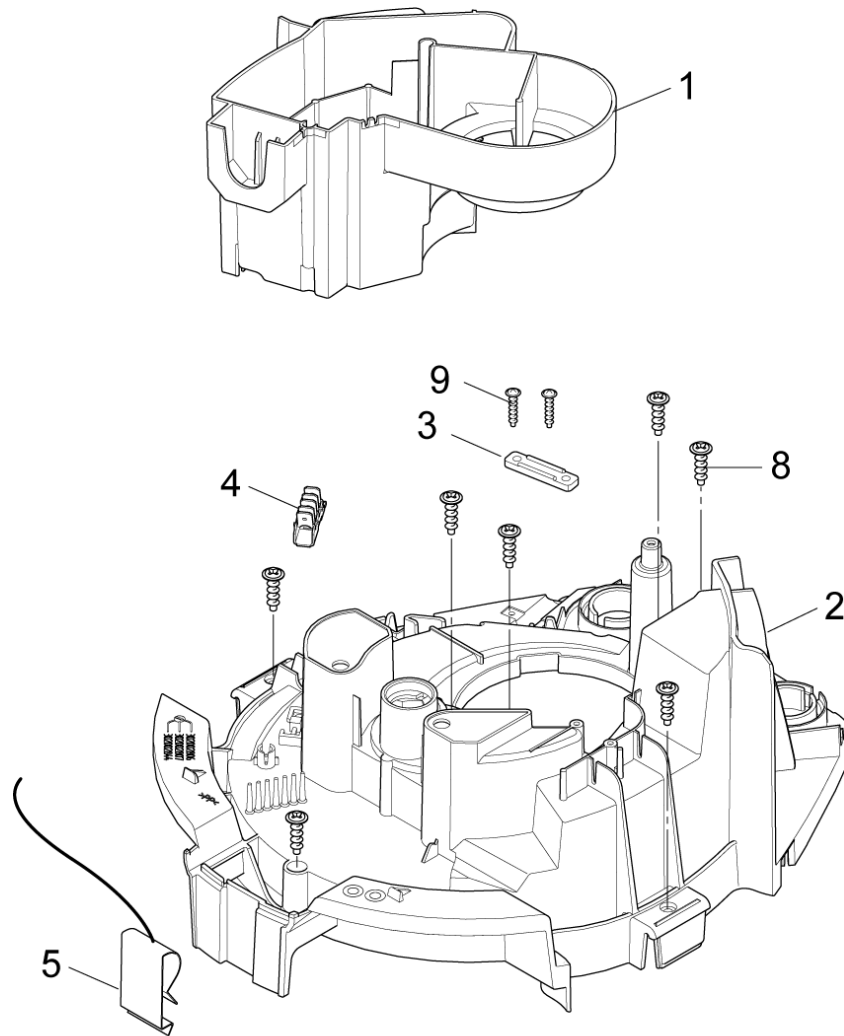
Motor Basic and Push Clean

ATTIX 30 PC and XC

06-03-2009

Part List ID
ATTIX3005

10



Motor Basic and Push Clean

ATTIX 30 PC and XC

06-03-2009

Part List ID
ATTIX3005

11

Pos	Part no.	Qty	Description	EAN
1	302004015	1	AIRGUIDE	4005337147
2	302004009	1	CLAMPINGPLATE PC	4005337147
3	302004030	1	STRAP FOR CABLE	4005337147
4	302004031	1	DISTRIBUTION STRIP 6-POL 16A	4005337147
5	302004023	1	CONTACT SPRING	4005337147
6	302003385	1	SEALING KIT R	4005337136
7	302003384	1	TURBINE KIT 1200 230	4005337136
7	302004006	1	MOTOR 1200W/100V JP W.GASKET	4005337147
8	302004029	1	SCREW 5X18	4005337147
9	302004032	1	SCREW 3.5X18	4005337147
10	302004045	1	SOUND INSULATION OUTLET	4005337148

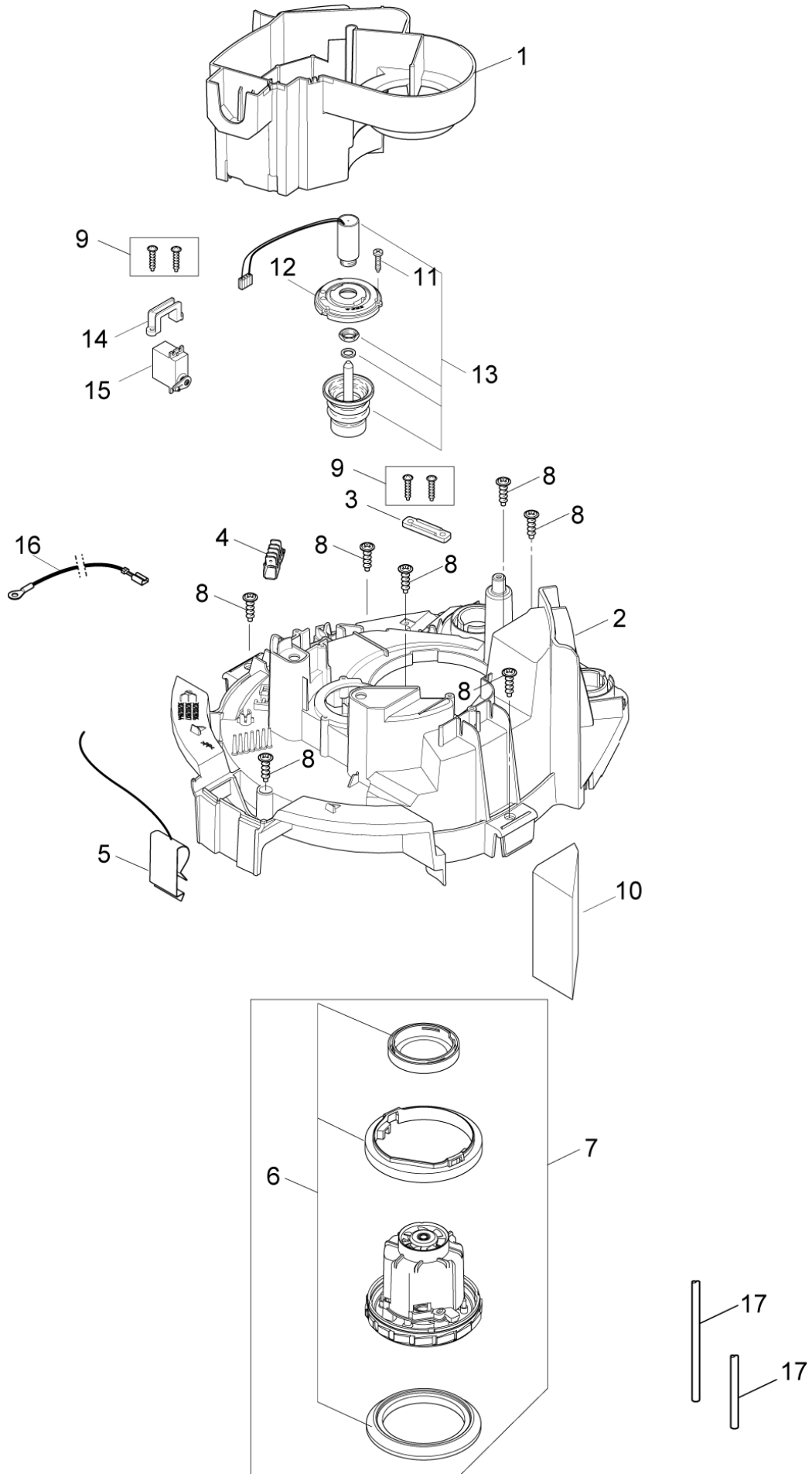
Motor XC

ATTIX 30 PC and XC

06-03-2009

Part List ID
ATTIX3007

12



Motor XC

ATTIX 30 PC and XC

06-03-2009

Part List ID
ATTIX3007

13

Pos	Part no.	Qty	Description	EAN
1	302004015	1	AIRGUIDE	4005337147
2	107400287	1	CLAMPINGPLATE XC	4005337153
3	302004030	1	STRAP FOR CABLE	4005337147
4	302004031	1	DISTRIBUTION STRIP 6-POL 16A	4005337147
5	302004023	1	CONTACT SPRING	4005337147
6	302003385	1	SEALING KIT R	4005337136
7	302003384	1	TURBINE KIT 1200 230	4005337136
7	302004006	1	MOTOR 1200W/100V JP W.GASKET	4005337147
8	302004029	1	SCREW 5X18	4005337147
9	302004032	1	SCREW 3.5X18	4005337147
10	302004045	1	SOUND INSULATION OUTLET	4005337148
11	302003319	3	SCHRAUBEN ATTIX/IVB 9 SET-01	4005337140
12	107400288	1	MAGNET MOUNTING PLATE	4005337153
13	107400291	1	MAGNET 230V	4005337153
13	107400292	1	MAGNET 110V	4005337153
14	107400289	1	SERVO BRACKET	4005337153
15	107400290	1	SERVO FOR XC	4005337153
16	107400262	1	WIRE 1X200 YELLOW/GREEN	4005337153
17	107400293	2	HOSE D3X1.5 TURBINE SIDE XC	4005337153

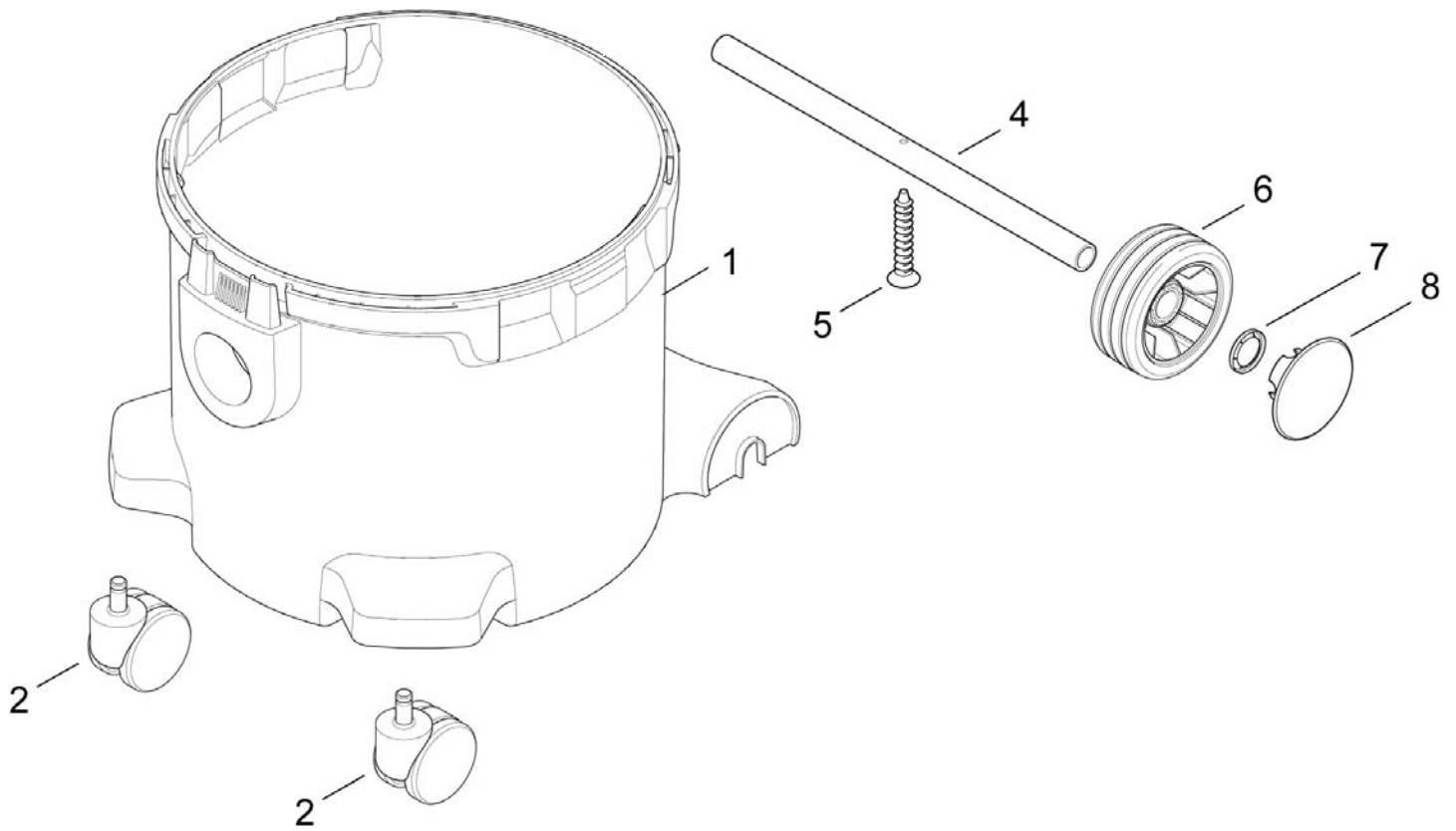
Container ATTIX 30

ATTIX 30 PC and XC

06-03-2009

Part List ID
ATTIX3008

14



Container ATTIX 30

ATTIX 30 PC and XC

06-03-2009

Part List ID
ATTIX3008

15

Pos	Part no.	Qty	Description	EAN
1	302004052	1	CONTAINER WITH FITTING ATTIX30	4005337148
2	46298	2	GUIDE ROLLER Ø 60	4005337462
4	302004022	1	WHEEL AXLE	4005337147
5	107400063	1	SCREW 5X35	4005337148
6	302000465	2	WHEEL Ø100X20	4005337682
7	47302	2	CLAMPING RING Ø28,6/Ø20X	4005337473
8	302000681	2	HUB CAP	4005337690