

# LynxPro

Bluetooth® Data Logger Series



The LynxPro Series of data loggers is a Bluetooth-enabled solution capable of monitoring temperature and humidity for a variety of applications from -100°C to +200°C and 0% RH to 95% RH



**Bluetooth®  
Connectivity**



**Visual  
Alarms**



**Store Over  
100,000 Readings**



**Be Up & Running  
In Minutes**

## Data Where **You** Need It

Connect the LynxPro to the **MadgeTech App** with the click of a button and gain instant access to readings, statistics and more

- Complete Control of Device Functions
- Graphical & Tabular Data Representation
- Easy Data Export & Sharing
- Customizable Notifications & Alarms

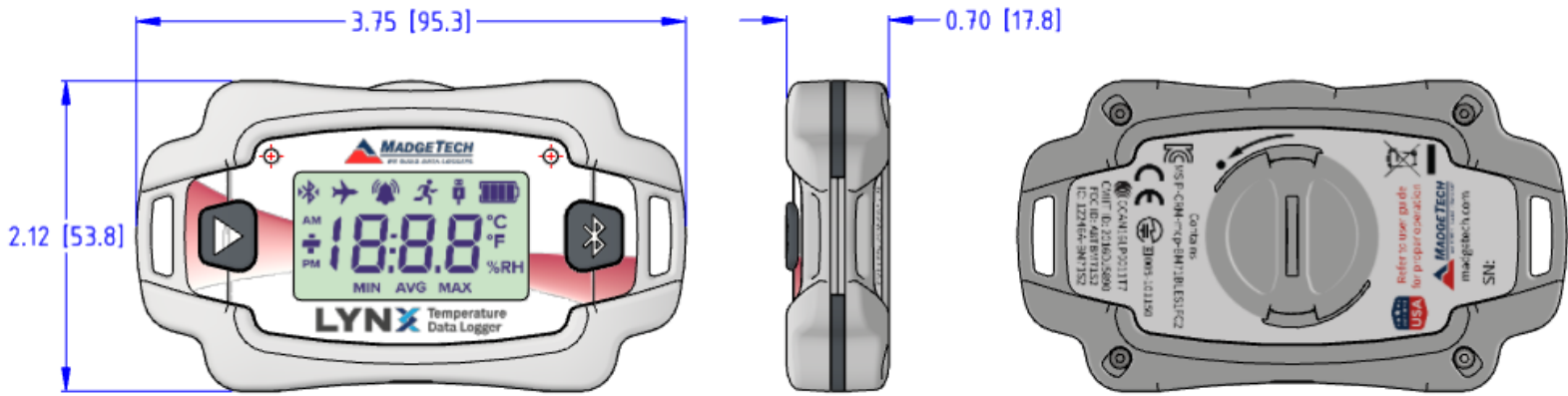
### Compatible with **MadgeTech 4 Software**

- Advanced Statistics & Analysis
- Automatic MKT Calculations
- Data Annotations
- Multiple Graph Overlays



ISO 17025 Calibration Certified





ALL DIMENSIONS ARE IN INCHES [MILLIMETERS]

# SPECIFICATIONS

## General

|                                       |   |
|---------------------------------------|---|
| <b>Start Modes</b>                    | Immediate start<br>Delay start up to 18 months<br>Pushbutton  |
| <b>Stop Modes</b>                     | Pushbutton<br>Timed (specific date and time)  |
| <b>Multiple Start/Stop Mode</b>       | Start and stop the device multiple times without having to download data or communicate with a PC   |
| <b>Real Time Recording</b>            | May be used with MadgeTech App to monitor and record data in real time                              |
| <b>Memory</b>                         | 131,071 total readings<br>21,845 readings in multiple start/stop mode                               |
| <b>Reading Rate</b>                   | 1 reading every second<br>Up to 1 reading every 12 hours  |
| <b>Alarm</b>                          | Programmable high and low limits; alarm is activated when measurement reaches or exceeds set limits |
| <b>LCD Screen</b>                     | 1.7" x .975" (40x22mm)  |
| <b>Calibration</b>                    | Digital calibration through software  |
| <b>Calibration Date</b>               | Automatically recorded within device  |
| <b>Battery Type</b>                   | User replacable CR2450 coin cell battery  |
| <b>Battery Life</b>                   | 6-months typical at a 15 minute reading rate  |
| <b>Data Format</b>                    | Date and time stamped °C, °F, or %RH  |
| <b>Time Accuracy</b>                  | ±4.1 minute/month at 25 °C (77 °F)  |
| <b>Computer Interface</b>             | USB (interface cable required)  |
| <b>Operating System Compatibility</b> |   |
| <b>Software Compatibility</b>         | MT Link   MT4   |
| <b>Operating Environment</b>          | -20 °C to +60 °C (-4 °F to +140 °F) 0 %RH to 95 %RH non-condensing                                  |
| <b>Dimensions</b>                     | 3.75 in x 2.12 in x 0.70 in<br>(95 mm x 55 mm x 17 mm)  |
| <b>Weight</b>                         | 1.8 oz (51 g)   |
| <b>Material</b>                       | Polycarbonate   |
| <b>Approvals</b>                      | US (FCC), CA (IC), CE, South Korea (KCC), China (CMIIT), Taiwan (NCC), Japan (LCIE)                 |

**BATTERY WARNING**  
BATTERY MAY LEAK, FLAME OR EXPLODE IF DISASSEMBLED, SHORTED, CHARGED, CONNECTED TOGETHER, MIXED WITH USED OR OTHER BATTERIES, EXPOSED TO FIRE OR HIGH TEMPERATURE. DISCARD USED BATTERY

Specifications are subject to change without notice.  
Specific warranty remedy limitations apply.

## LynxPro

|                               |   |
|-------------------------------|---|
| <b>Measurement Range</b>      | -20 °C to +60 °C (-4 °F to +140 °F)                           |
| <b>Temperature Resolution</b> | 0.1 °C (0.18 °F)  |
| <b>Calibrated Accuracy</b>    | ±0.5 °C (±0.9 °F) from -5 °C to +55 °C<br>(+23 °F to +131 °F) |

## LynxPro-RTD

|                               |   |
|-------------------------------|---|
| <b>Measurement Range</b>      | -100 °C to +200 °C (-148 °F to +392 °F)   |
| <b>Temperature Resolution</b> | 0.1 °C (0.18 °F)  |
| <b>Calibrated Accuracy</b>    | ±0.5 °C (±0.9 °F) from -100 °C to 80 °C<br>±1.0 °C (±1.8 °F) from 80 °C to 200 °C |

## LynxPro-RH

|                               |   |
|-------------------------------|---|
| <b>Ambient Temperature</b>    |   |
| <b>Measurement Range</b>      | -20 °C to +60 °C (-4 °F to +140 °F)   |
| <b>Temperature Resolution</b> | 0.1 °C (0.18 °F)  |
| <b>Calibrated Accuracy</b>    | ±0.5 °C (±0.9 °F) from -5 °C to +55 °C<br>(+23 °F to +131 °F)   |
| <b>Ambient Humidity</b>       |   |
| <b>Measurement Range</b>      | 0 %RH to +95 %RH  |
| <b>Humidity Resolution</b>    | 0.1 %RH   |
| <b>Humidity Accuracy</b>      | ±3 % RH over the range 25 % RH to 75 % RH,<br>20 °C to 40 °C,<br>Hysteresis Error 1 % Typical 3 % Max |

## Ordering Information

**LynxPro**  
902373-00 Bluetooth Temperature Data Logger

**LynxPro-RTD**  
902375-00 Bluetooth Remote Temperature Data Logger

**LynxPro-RH**  
902374-00 Bluetooth Temperature and Humidity Data Logger