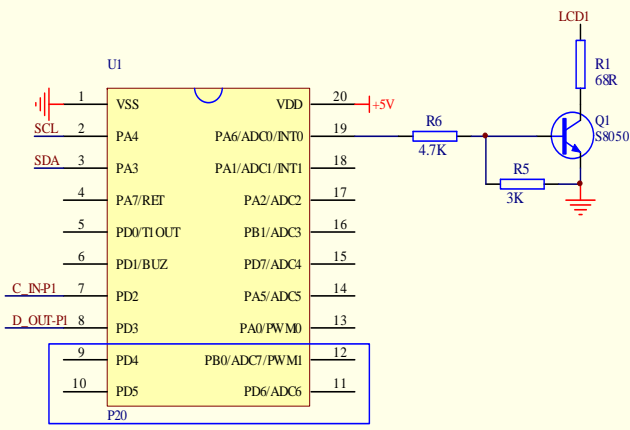
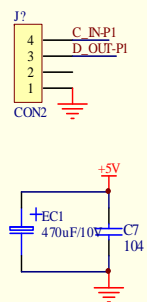
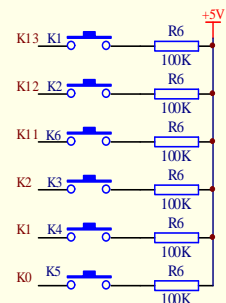
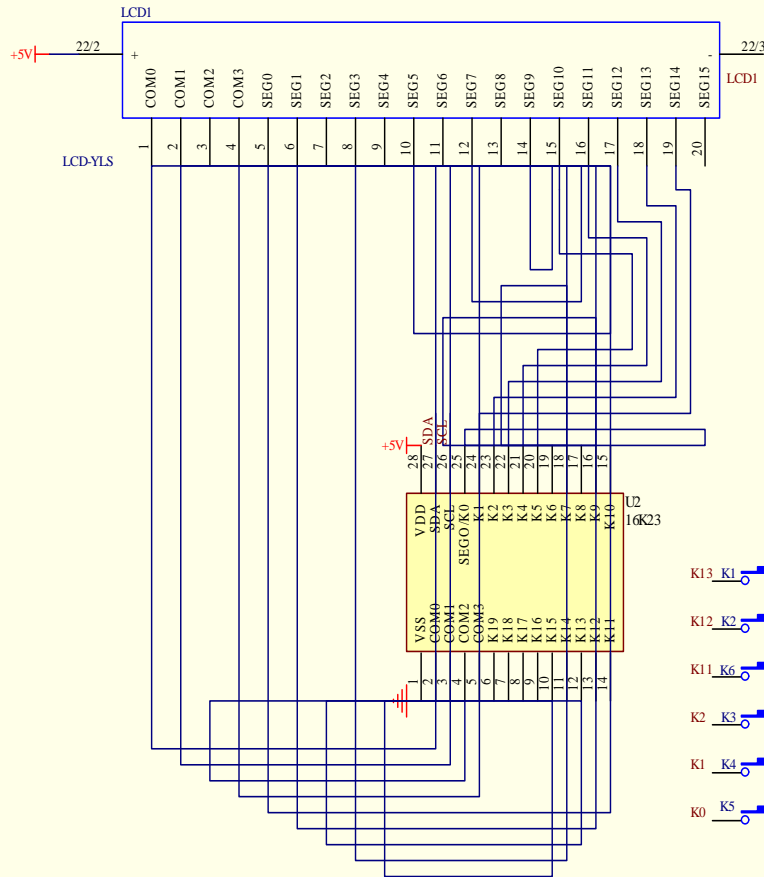


Model No.: WIH400B
 Rating: 208V/240V ~60Hz
 Edition: A
 Date: 2014-7-29

Title			SZ-L5		
Size	Number	Revision			
B					
Date:	14-Jul-2014	Sheet		of	



Model No.: WIH400B
 Rating: 208V/240v ~60Hz
 Edition: A
 Date: 2014-7-29

Title		
Size	Number	Revision
B	L5-L7B	
Date	1-Nov-2013	Sheet of