

NA36R5310F

SAMSUNG

36" Gas Cooktop



Signature Features

Powerful Burners

- Powerful burners have the flexibility to accommodate a number of dishes at once.

Front Controls

- Front Controls are easy to reach.

Continuous Cast Iron Grates

- Continuous Cast Iron Grates provide a sleek and smooth design.

Available Colors



Stainless Steel (shown)



Fingerprint Resistant
Black Stainless Steel



Front Controls



Continuous Cast Iron Grates

Features

- Powerful Cooktop
 - Right Front: 13K BTU
 - Left Front: 10K BTU
 - Right Rear: 5K BTU (Simmer)
 - Left Rear: 10K BTU
 - Center: 17K BTU (Power Burner)
- Cast Iron 3-Piece Grates
- Sealed Burners
- ADA Compliant

Convenience

- LP Conversion Kit



ADA Compliant

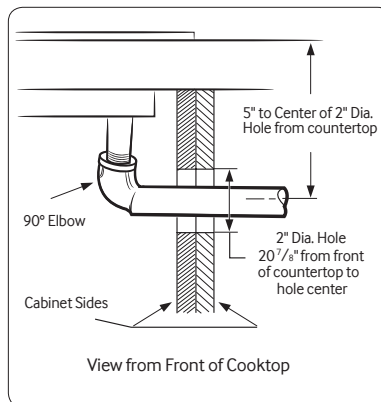
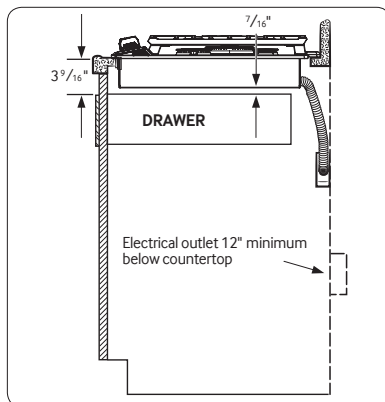
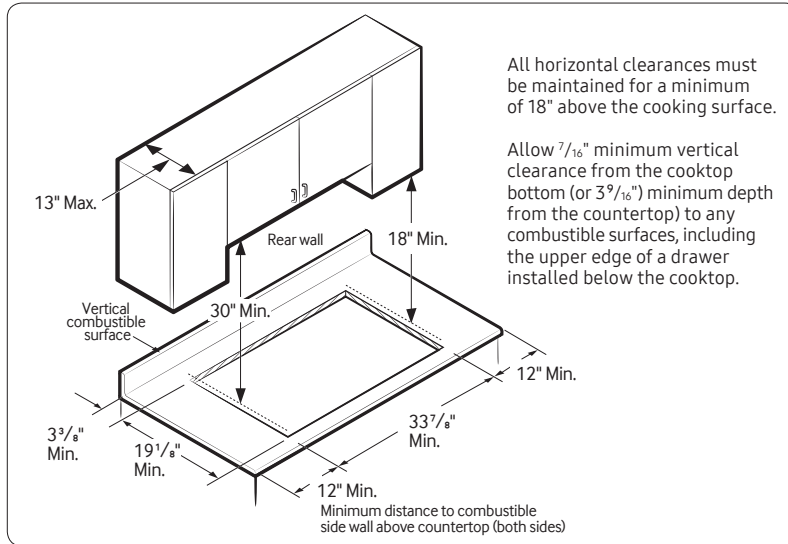
NA36R5310F

SAMSUNG

36" Gas Cooktop

Installation Requirements

Countertop cut-out and minimum clearance dimensions:



Total Power (BTU)

55K

Power Source

120V / 60 Hz / 1A

Gas Cooktop (BTU)

- Right Front: 13K
- Left Front: 10K
- Right Rear: 5K (Simmer)
- Left Rear: 10K
- Center: 17K (Power Burner)

Warranty

One (1) Year All Parts and Labor

Product Dimensions & Weight (WxHxD)

Outside (Max) Cooktop Dimensions: 36" x 5 11/16" x 21"

Cooktop Cut-Out Dimensions: 33 7/8" x 3 1/8" x 19 1/8"

Weight: 66.5 lbs (Stainless Steel)

66.9 lbs (Fingerprint Resistant

Black Stainless Steel)

Shipping Dimensions & Weight (WxHxD)

Dimensions: 40 9/16" x 10 5/8" x 25 5/8"

Weight: 78.9 lbs

Color

Stainless Steel

Fingerprint Resistant

Black Stainless Steel

Model

NA36R5310FS/AA

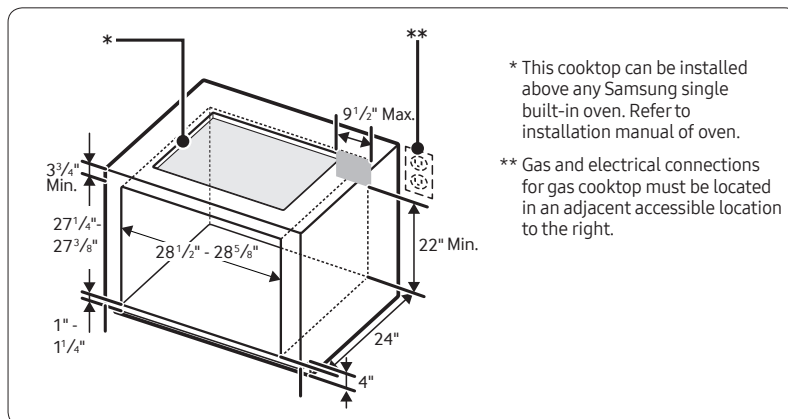
NA36R5310FG/AA

UPC Code

887276298948

887276298931

Installing Over a Single Oven



Cooktop Dimensions

