

# Meet The New Boss



... .. **Pro 7**

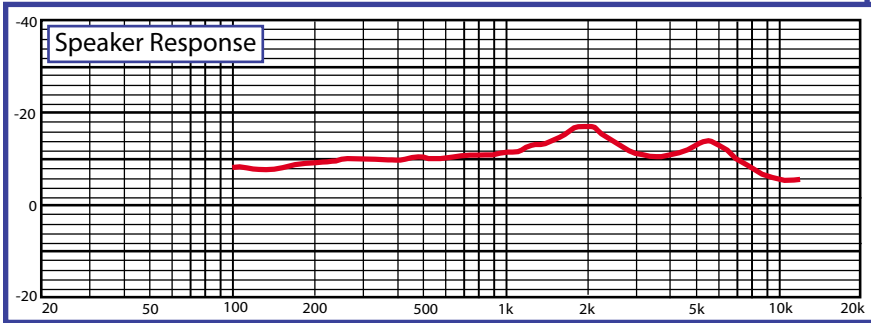
Generating Element	Pro 7: Dynamic Pro 7 iC: iC Electret
Frequency Response	Pro 7: 100 Hz - 12 kHz Pro 7 iC: 35 Hz - 12 kHz
Polar Pattern	Pro 7: Heil Cardioid Pro 7 iC: Cardioid
Impedance	Pro 7: 600 ohms Pro 7 iC: 1.5k ohms
Output Level	Pro 7: -57 dB @ 1 kHz Pro 7 iC: -48 dB @ 1 kHz
Weight	17 oz



**Pro 7**

# Pro 7 Headphone Features

- Gel filled foam ear seals provide 26 dB PNR outside noise reduction
- 40 mil high response speakers produce extreme voice articulation
- Acoustically tuned speaker enclosure
- -3 dB points set at 80Hz – 12 kHz (speaker)
- Speaker balance control adjusts level between the two speakers.
- Full Stereo, two channel reception, perfect for Dual Watch receiving systems
- Heil Speaker Phase reversal helps to 'dig out' weak signals
- Connects to standard Heil headset adapters (AD-1 series)
- Detachable coil cable with comfortable 'Soft Touch' 2" diameter P.T. T.
- Microphone boom swivels 300 degrees so it may be used on the left or right side.



**Pro 7**





A locking 6-pin mini XLR connector connects to the left ear cup and has a 3-foot expanding coiled cable, which terminates in a 1/8" mono male mic plug and a 1/8" stereo headphone plug. Includes 1/8" - 1/4" adapter.



The Pro 7 utilizes a stainless steel headband with a segmented, padded headband covering for comfort. Adjustments to the headband size are made by two thumbscrews. To adjust the pressure of the earpads simply flex the stainless steel band (as pictured above). The gel padded ear pads and cotton coverings are removable for easy cleaning.



# Pro 7



Soft Touch PTT Switch with 24" cable.



Each Pro 7 comes with a phase reversal switch for the speakers which, acoustically, "moves" the signal around. Reversing the phase creates a spatial widening of the sound field making it easier to hear a radio signal in a pileup as well as removing listening fatigue. Signals out of phase arrive at slightly different times, thus some are slightly canceled while others are accentuated which becomes a perfect tool for digging out the weak ones.



Speaker balance control adjusts level between the two speakers.

**Pro 7**



Two elements available for the Pro 7 – the dynamic tailored response HC7 and the high output iC electret for low level iCOM inputs. These microphone elements can be easily changed in the field. Simply remove the two flat head screws and remove the element and housing. Insert the new element, replace and tighten the screws.



**Pro 7**

Kenwood/Alinco/Elecraft	Red
Ten Tec	Black
Collins	White
Drake	Grey
Yaesu/Flex	Yellow
iCOM	Blue

### AD-1 Adapter Color Code

Identifies which transceiver they are wired for.  
AD-1 iC & AD-1 iCM used only with Heil iC element.

Visit [www.heilsound.com/amateur](http://www.heilsound.com/amateur)  
For our adapter selector click on the Adapter tab.  
For DSP settings click on the DSP tab.



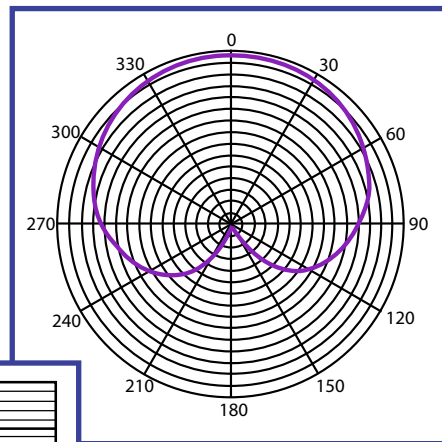
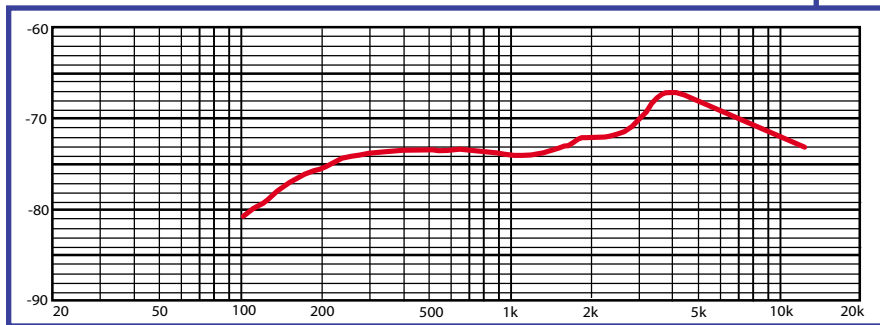
Headphones plug directly into the transceiver.

**Pro 7**



# HC 7 Dynamic Element Features

The Dynamic HC -7 element exhibits a frequency response of 100 Hz - 12 kHz with the -3dB points at 100 Hz and 12 kHz. The traditional Heil speech articulation rise is centered at 2K - 4KHz. The impedance is 600 ohm.

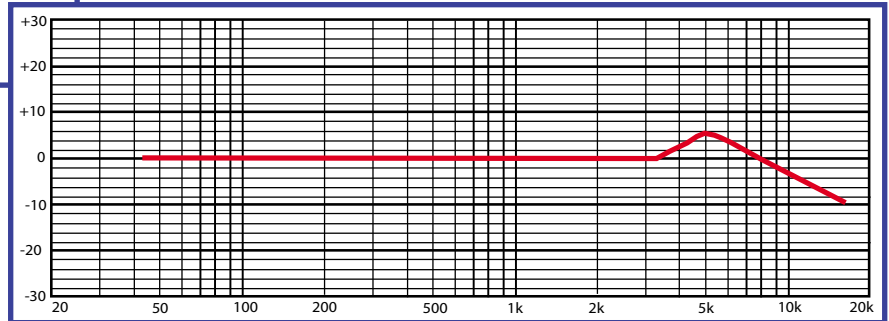
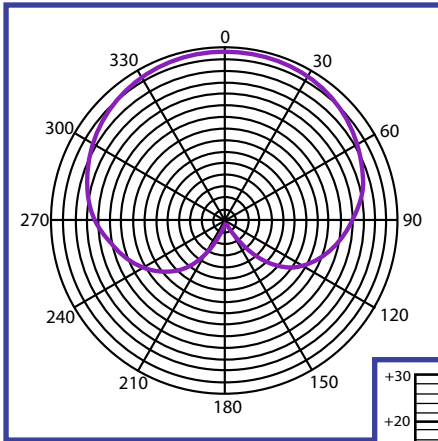


## Pro 7



# iC Electret Element Features

Designed exclusively for iCOM radios, the iC Electret element has a -3dB fixed point at 35 Hz and 12kHz with the sensitivity of -48 at 1500 ohms output centered at 1kHz. The iC element solves the problems with LOW GAIN ICOM radios but can also work with great results on newer Icom models. Bias power is applied to operate the iC electret element. The Pro 7 iC is supplied with our ADI-IC eight pin Icom adapter cable.



**Pro 7**



## ***Suggested DSP Settings***

Suggested DSP settings for the Pro 7. These are simply starting points. Best results are had by listening to a second receiver through headphones. You will start each transmitter adjustment by setting the transmit bandwidth. In many cases, with the proper transmit bandwidth you will need little to no EQ adjustments, if anything, a minor mid range boost.

Yaesu

First, set the transmit bandwidth at 200 - 2800. This will roll off some of the extreme low frequency response. You may be able to adjust to 100 as long as it doesn't overload and sound too bassy.

Second, you need a Parametric EQ (3 band) to be able to adjust the parameters of the microphone audio. All of the late models use the exact same Parametric. Only the menu assignment numbers change but here are the starting points for the three filters. After setting, save your settings by holding the Menu button for 3 seconds.

Filter 1

Frequency	200 Hz
Notch or Boost	cut -15 dB
Bandwidth	5

Filter 2

Frequency	400 Hz
Notch or Boost	cut -6 dB
Bandwidth	5

Filter 3

Frequency	2400 Hz
Notch or Boost	boost +8 dB
Bandwidth	10



# **Pro 7**

# Suggested DSP Settings

Kenwood DX

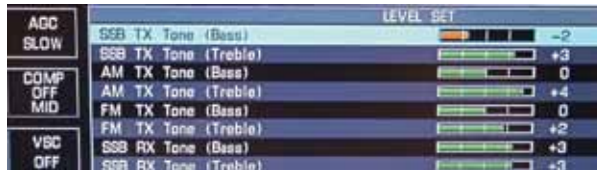


Kenwood Full Range



Elecraft	Frequency	0.05	0.1	0.2	0.4	0.8	1.6	2.4	3.2
HC 7 DX		-10	-4	-2	0	0	+2	+4	+4
Wide Response		-12	-10	-6	-2	0	+6	+8	+10

iCOM DX



iCOM Full Range



iCOM: Wide or Narrow transmit filter: Bass -2 dB, Treble +3 dB

**Pro 7**



All in and out of warranty items returned must be accompanied by a completed repair form, which can be found at <http://heilsound.com/amateur/repairs>  
Heil Sound, Ltd. warrants these products to the original purchaser for a period of one year parts and 90 days labor from the date of purchase. It does not cover accidental or intentional damage. Heil Sound, Ltd. is not responsible for loss, damage or expenses that arise from the use or the inability to use this product.

Heil Sound, Ltd.  
5800 North Illinois Fairview Heights, IL 62208  
618.257.3000 (phone) 618.257.3001 (fax)  
[info@heilsound.com](mailto:info@heilsound.com)



[www.heilsound.com](http://www.heilsound.com)



**Pro 7** .....