

**SHENZHEN QIXINTONTDA Technology  
Co.,Ltd.**

**Antenna Test Report**

**Item: GF018**

**Band: BT antenna**

**Engineering: FU (137 6016 7811)**

**Date: March 20,2023**

# 1. Test Project

	Test Project	Equipment
S Parameter	1. Return Loss (RL) 2. VSWR 3. Gain&Efficiency	Network Analyzer:  Agilent 5071B

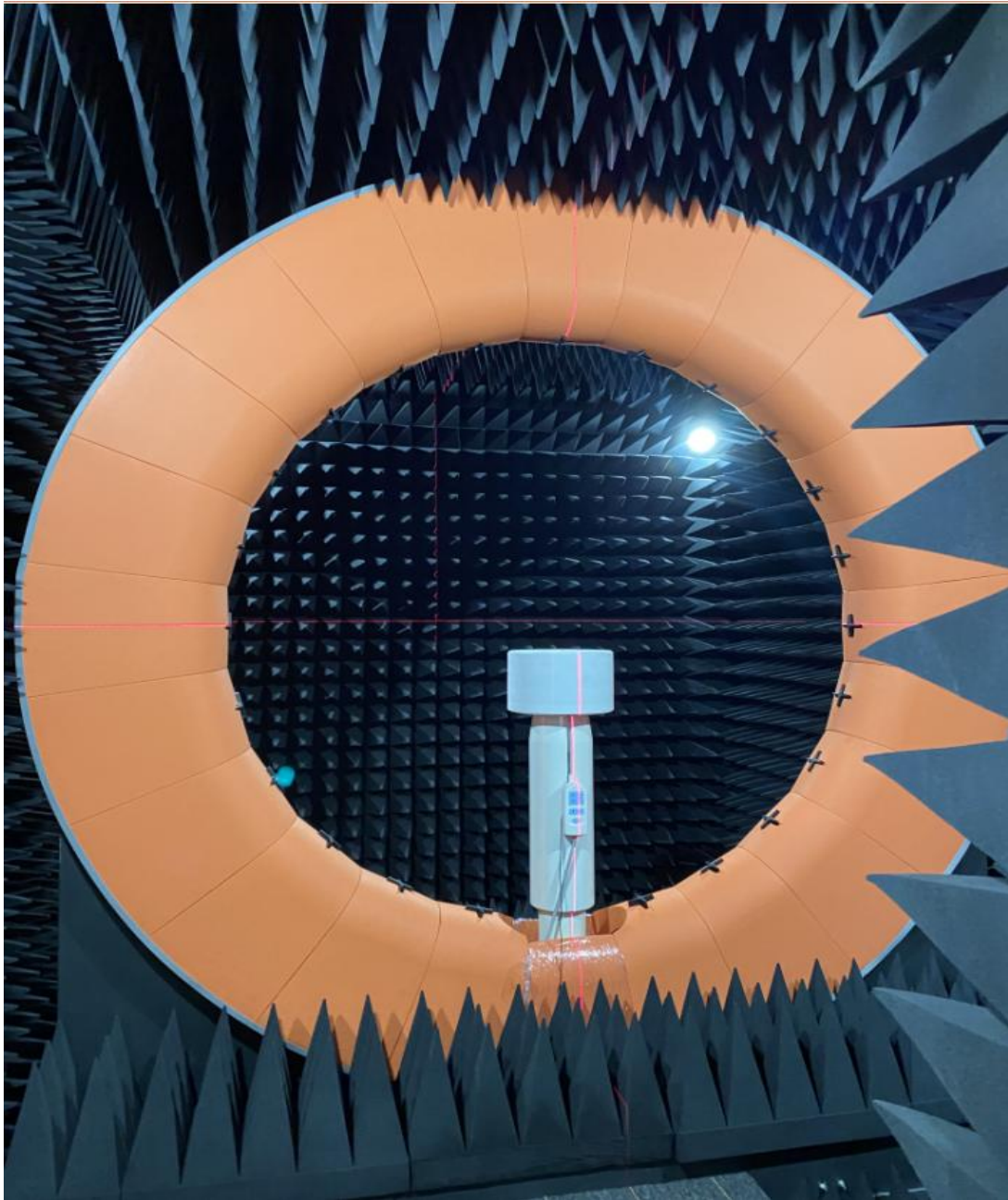
# 2. Test Equipment



Agilent 5071B (S Parameter RL/VSWR Test Equipment)

Agilent 5071B (Gain&Efficiency Test Equipment)

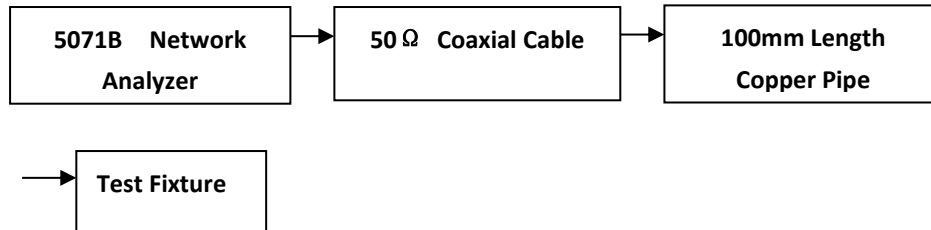
### 3.Test Environment



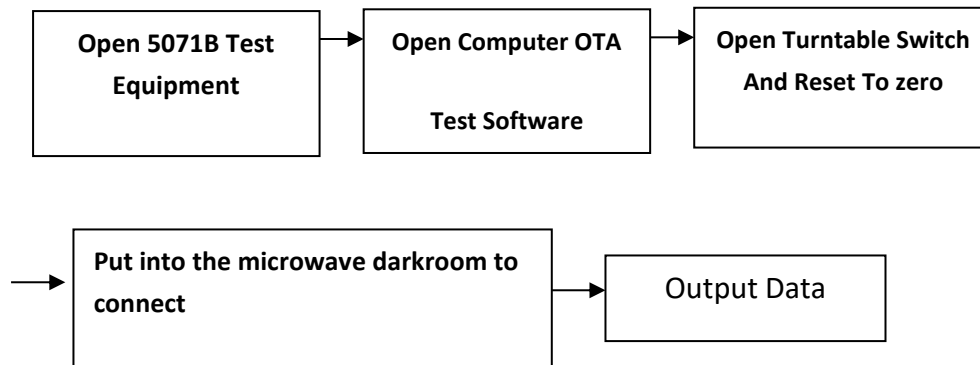
Microwave Anechoic Chamber

## 4. Test Steps

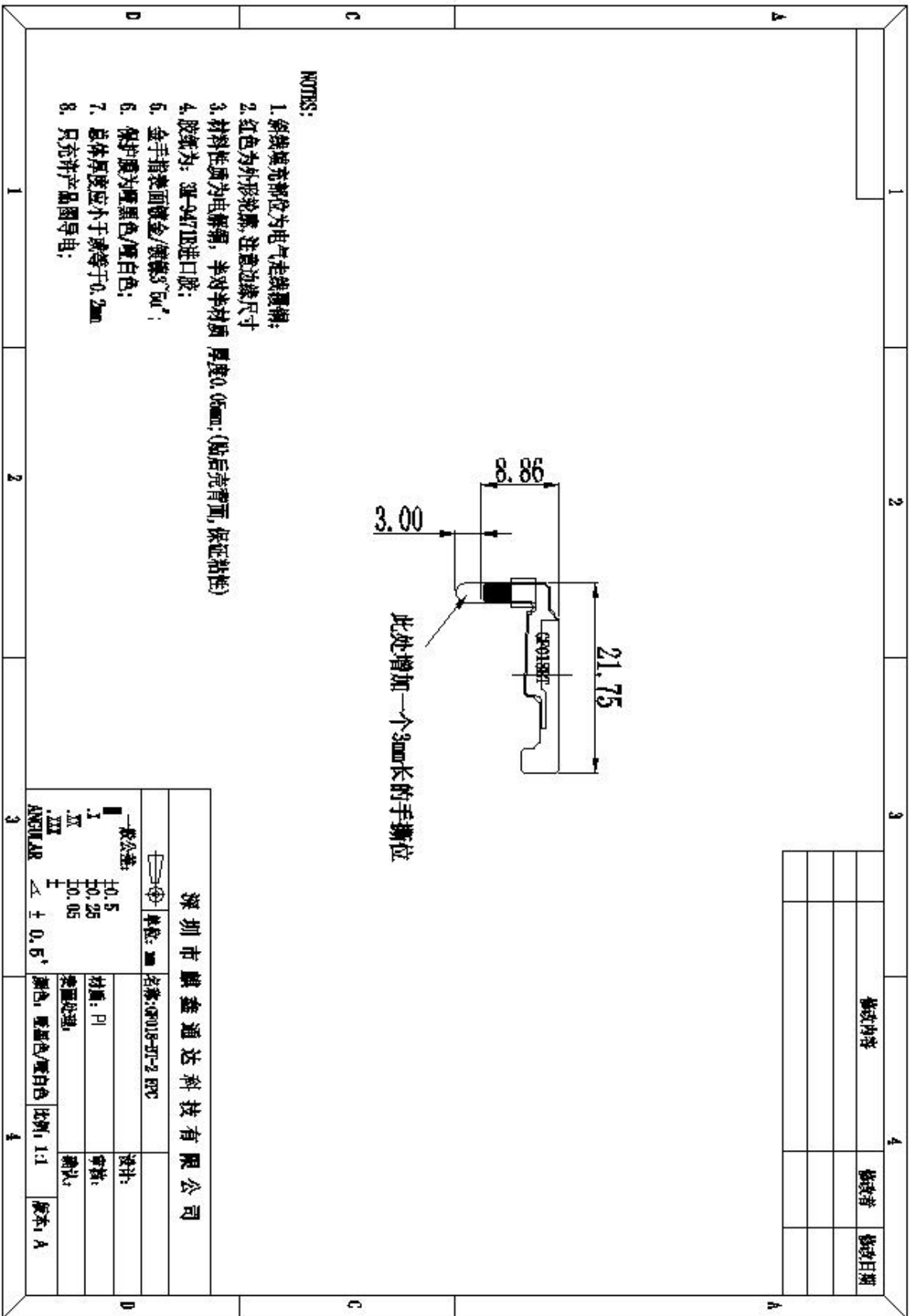
### Passive VSWR/RL Test Steps:



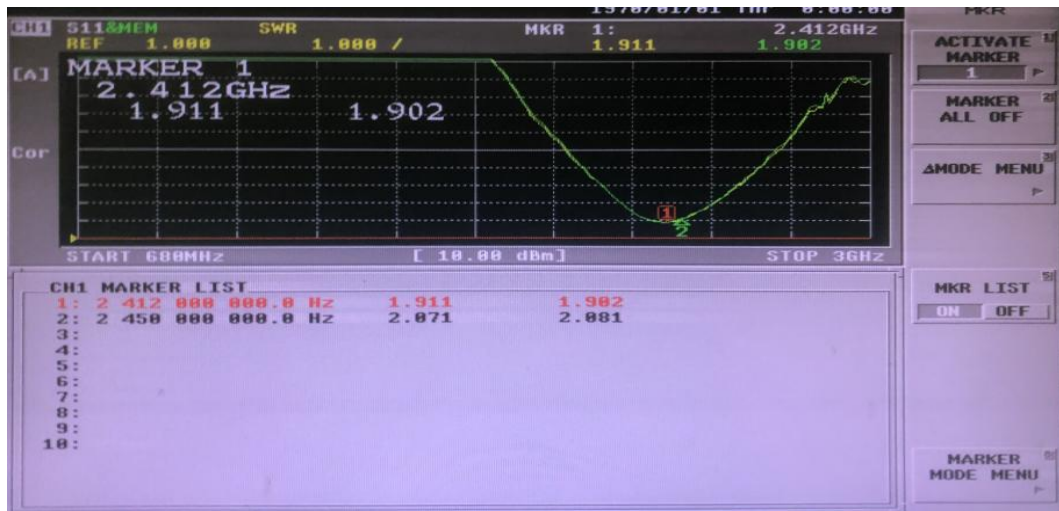
### Gain & Efficiency Test Steps:



# 5. Antenna Dimensions



## 6. Antenna SWR



## 7. Antenna Gain & Efficiency

Band	Max Gain	Efficiency
Bluetooth	-0.3	36%

## 8. 3D Lobe Diagram

