

W15IE3S-PTA3

15.6" Intel® Celeron® N6211 PT Series HMI Touch Panel PC



KEY FEATURES

- Low power consumption with Intel® Celeron® Elkhart Lake N6211 processor
- Fanless cooling system and ultra-low power consumption
- Front IP65 for protection against water and dust
- A true flat, easy-to-clean front surface with edge-to-edge design



SPECIFICATIONS

Display			
Touch / Glass	Projected Capacitive Multi Touch Screen	Resolution	1920x1080
Size	15.6 inches	Contrast Ratio	800:1
Panel Brightness	400.0 nits	View Angles	85,85,85,85
Active Area	344.16x193.59 mm		
System Specification			
WLAN	Support (Optional)	BT	Support (Optional)
Processor	Intel® Celeron® N6211 (up to 3.0GHz) Intel® Celeron® N6210 (up to 2.6GHz) (Optional)	Memory	1 x SO-DIMM, DDR4 3200 MHz, 4GB 8GB (Optional) 16GB (Optional)
Storage	1 x M.2 2242 B-key SSD 128GB M.2 2242 B-key SSD up to 512GB (Optional) 1 x SATA III for 2.5" SSD/HDD up to 1TB (Optional)	Ethernet controller	2 x Intel® Ethernet Controller
Security	TPM 2.0	Operating System	Windows 11 IoT Enterprise (64 bit) (Optional) Windows 11 Pro 64 bit (Optional) Windows 10 IoT Enterprise (64 bit) (Optional) Linux Ubuntu 22.04 (Optional)
Environment			
Operating Humidity	10% to 90% RH, Non-Condensing	Operating Temperature	0°C to 50°C
Storage Temperature	-10°C to 60°C	IP rating	Front IP65
Certification			
Certification	CE, FCC		
Mechanical			
Dimension	388 x 233 x 40 mm	Mounting	VESA Mount
Enclosure	Plastic	Cooling System	Fanless Design
IO Ports			
USB Port	2 x USB3.2 Gen1x1 (Type-A)	Serial Port	1 x RS232(Default)/422/485
Video	1 x HDMI 2.0 (Optional)	Audio	2 x Speaker (Optional)
LAN	2 x RJ45-10/100/1000 Mbps	Indicator	Power LED Indicator
Power			

Power Rating 12V DC

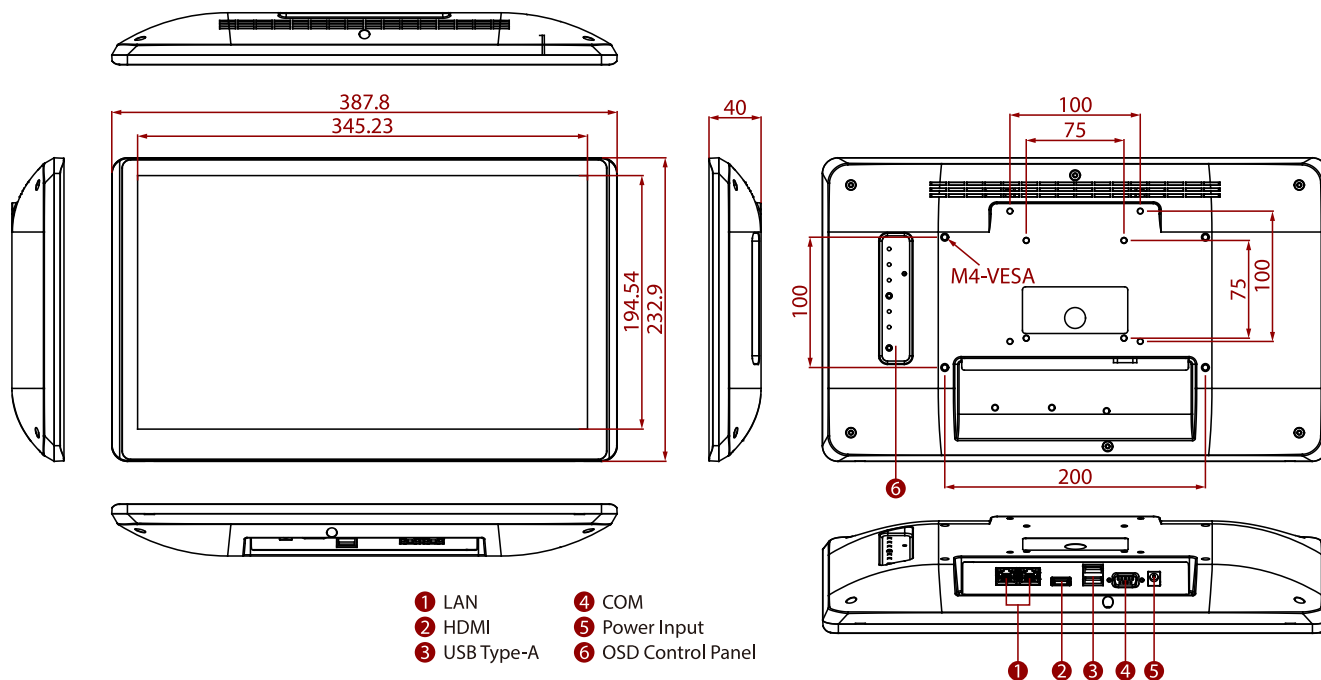
Control

Button 1 x Power Button
1 x Reset Button

Accessory

Accessory Quick Start Guide(Hardcopy)
AC Adapter 12V/50W
Power Cord

DIMENSIONS UNIT:MM



NOTE

- 1.This is a simplified drawing and some components are not marked in detail.
- 2.Please contact our sales representative if you need further product information.
- 3.All specifications are subject to change without prior notice.
- 4.The product shown in this datasheet is a standard model.For diagrams that contain customized or optional I/ O, please contact the Winmate Sales Team for more information.