

TempStar® with Ventless and Energy Recovery

Project _____
 Item _____
 Quantity _____
 CSI Section 11400 _____
 Approval _____
 Date _____

Models

- TempStar® VER TempStar® HH-E VER



Standard Features

- Ventless: Does not require a hood
- Energy Recovery
- Internal condensing system minimizes water vapor
- Sani-Sure™ final rinse system ensures proper rinse water temperature
- Multi-cycle timer (Extra Heavy, Heavy, Medium, Normal)
- Specially designed stainless steel nozzles provide superior cleaning action
- Automatic tank fill/auto-start
- Door switch
- Door interlock
- Pressure regulator is provided for installation by others
- Delime/manual wash switch
- Hi-limit thermostat and low water protection
- Uses standard 20" X 20" (508 mm X 508 mm) racks
- Detergent/rinse additive signal connection fuse box
- Self-draining stainless steel pump
- Built-in 70° F (38.9° C) rise booster heater
- Field convertible from straight through to corner and vice versa (kit required)

Mandatory Specs

- Specify voltage _____
 Specify booster size _____

Options

- 460V Electrical
- Single Phase
- Drain Water Tempering Kit
- Scaltrol
- Water Hammer Arrestor
- Flanged Feet
- False Panel (for corner installations)
- Security Package

Accessories

- 36-Compartment Rack
 - 4-1/8" tall (105 mm)
 - 5-5/8" tall (143 mm)
 - 7" tall (178 mm)
- Combination Rack
- Peg Rack

Specifications

- TempStar VER uses 0.89 gallons (3.37 liters) of water per rack; TempStar HH-E VER uses 0.72 gallons (2.73 liters) of water per rack
- TempStar VER (normal) cycle time - 87 seconds; TempStar HH-E VER (normal) cycle time - 90 seconds
- TempStar VER - 41 (39)* racks per hour (normal cycle); TempStar HH-E VER - 40 (37)* racks per hour (normal cycle)
- Single point connections for all utilities
- Cold water connection only
- Durable stainless steel construction
- TempStar VER - 17.25" (438 mm) vertical chamber clearance
- TempStar HH-E - 20.75" wide x 27" high (527 mm x 686 mm) opening accommodates 18"x 26" (457 mm x 660 mm) sheet pans and 60-quart mixing bowls
- TempStar VER is field phase convertible (kit required)
- Both models require some assembly
- 1-year parts and labor warranty

*Racks per hour calculated with NSF suggested load time of five (5) seconds for door-type (straight thru)



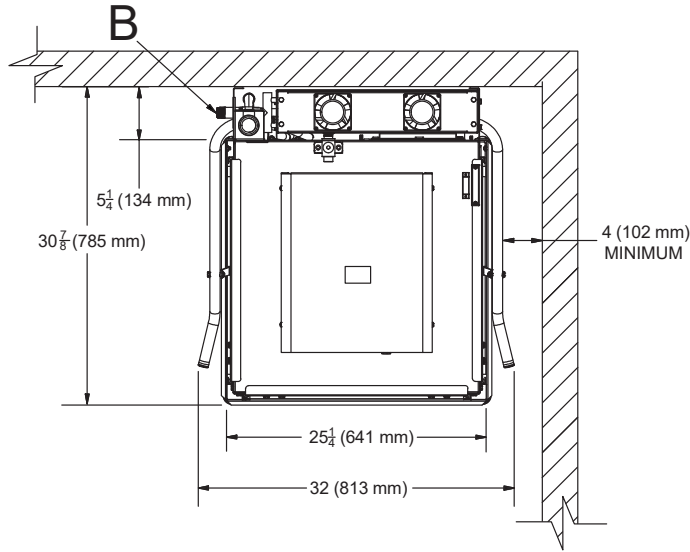
Intertek



Intertek



TempStar VER



LEGEND

- A - Drain (1 1/2" NPT)
- B - Water Inlet (3/4" NPT)
- C - Electrical Connection

All dimensions from the floor can be increased 1 1/8" using the machine's adjustable feet.

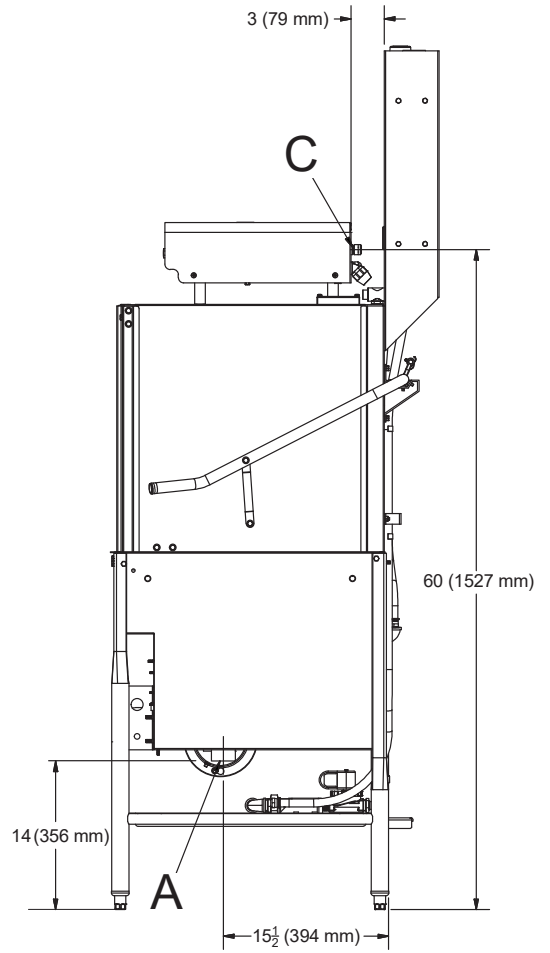
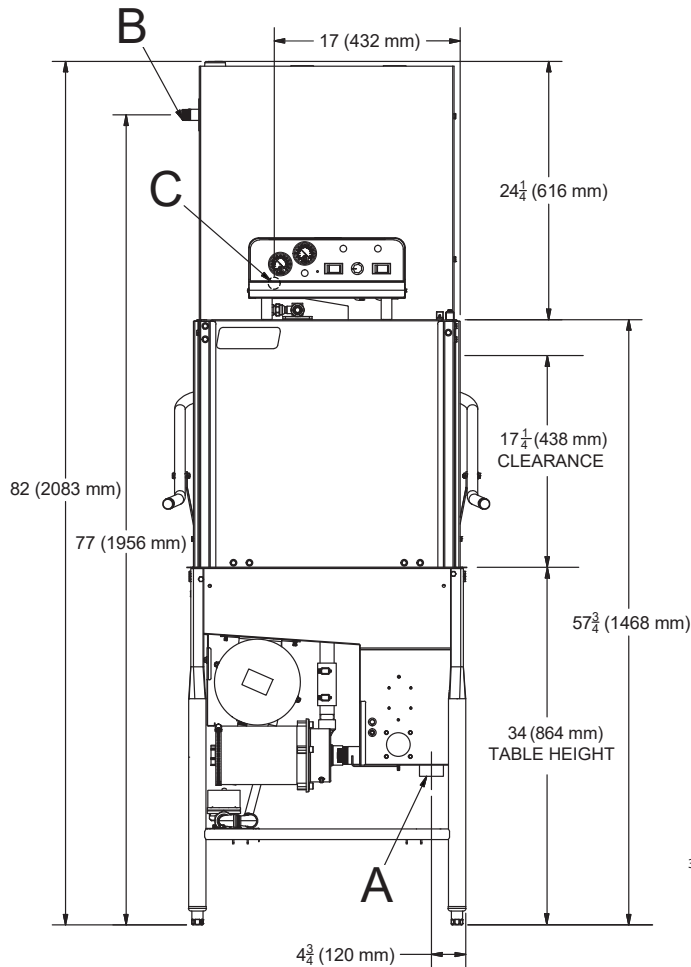
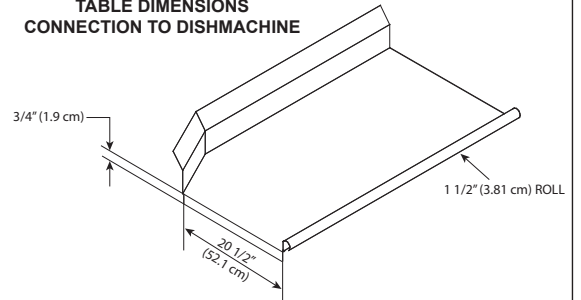


TABLE DIMENSIONS CONNECTION TO DISHMACHINE



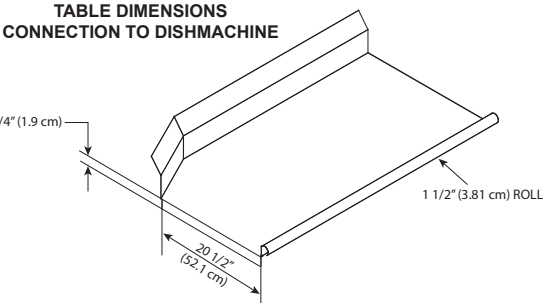
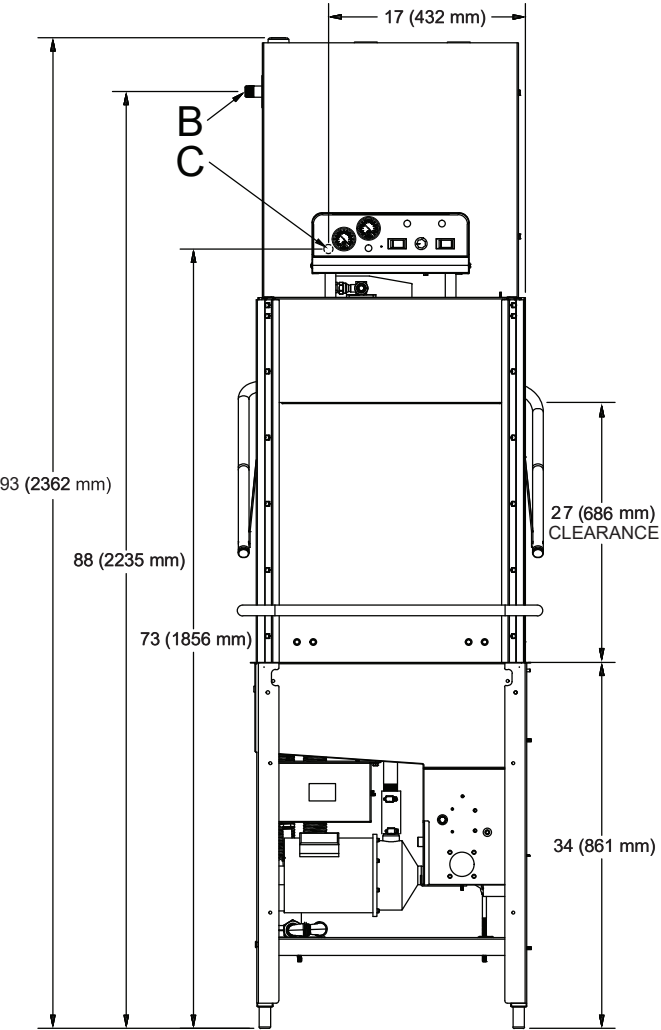
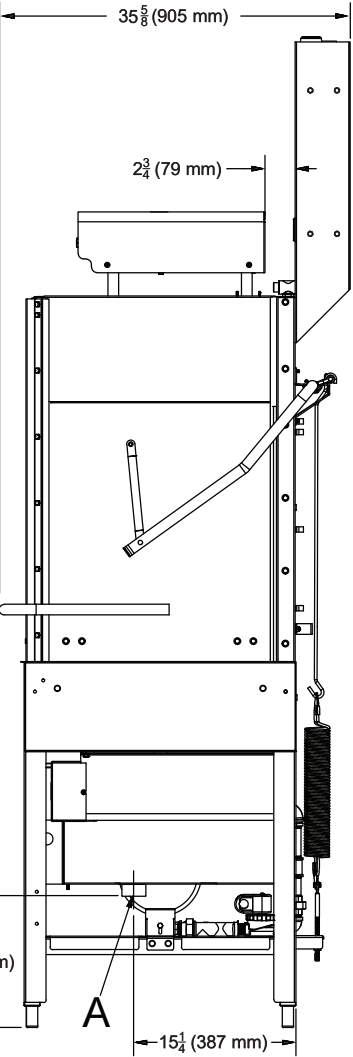
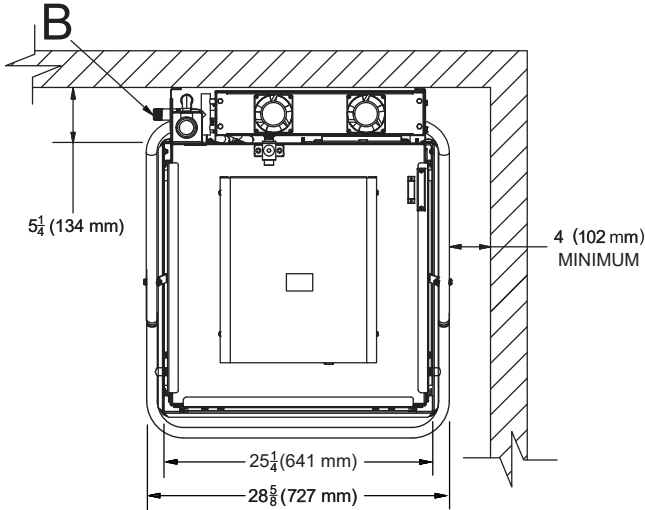
TempStar HH-E VER

TempStar® with Ventless and Energy Recovery

LEGEND

- A - Drain (1 1/2" NPT)
- B - Water Inlet (3/4" NPT)
- C - Electrical Connection

All dimensions from the floor can be increased 1 1/8" using the machine's adjustable feet.



MODEL NO.	MACHINE DIMENSIONS					DRAIN HEIGHT	SHIPPING INFORMATION				
	HEIGHT	WIDTH	WIDTH BETWEEN TABLES	DEPTH	WEIGHT		CLASS	CUBE	HEIGHT	WIDTH	DEPTH
TempStar VER	82" (2083 mm)	32" (813 mm)	25-1/4" (641 mm)	30-7/8" (785 mm)	14" (356 mm)	358 lbs (163 kg)	200	87.79 cu. ft.	86" (2185 mm)	42" (1067 mm)	42" (1067 mm)
TempStar HH-E VER	93" (2362 mm)	28-5/8" (727 mm)	25-1/4" (641 mm)	35-5/8" (905 mm)	11-3/4" (298 mm)	451 lbs (205 kg)	200	84.35 cu. ft.	82.625" (2099 mm)	42" (1067 mm)	42" (1067 mm)

DIMENSION REQUIREMENTS			
Wall Clearance (minimum)	0" (0 mm)		
Clearance above Heat Exchanger (minimum)	6" (152 mm)		
Standard Table Height	34" (864 mm)		
Inside Vertical Clearance - TempStar VER	17-1/4" (438 mm)		
Inside Vertical Clearance - TempStar HH-E VER	27" (686 mm)		

OPERATING CAPACITY				
	Normal	Medium	Heavy	Extra Heavy
Racks per Hour - TempStar VER	41 (39)*	24 (23)*	17 (16)*	11 (10)*
Racks per Hour - TempStar HH-E VER	40 (37)*	23 (22)*	16 (16)*	10 (10)*

OPERATING TEMPERATURES	
Wash (minimum) - TempStar VER	150 °F (66 °C)
Wash (minimum) - TempStar HH-E VER	155 °F (69 °C)
Rinse (minimum)	180 °F (82 °C)

OPERATING CYCLE FOR TEMPSTAR VER					
	Wash	Rinse	Dwell	Condensate Removal	Total Cycle
Normal	40	10	7	30	87
Medium	100	10	7	30	147
Heavy	160	10	7	30	207
Extra Heavy	280	10	7	30	327

OPERATING CYCLE FOR TEMPSTAR HH-E VER					
	Wash	Rinse	Dwell	Condensate Removal	Total Cycle
Normal	40	10	10	30	90
Medium	103	10	10	30	153
Heavy	163	10	10	30	213
Extra Heavy	283	10	10	30	333

WATER REQUIREMENTS		TempStar VER	TempStar HH-E VER
Inlet Temperature	40 - 90 °F (4.4 - 32.2 °C)		
Gallons per Hour	36.49 gal (138.13 L)	28.80 gal (109.02 L)	
Gallons per Hour**	34.71 gal (131.39 L)	26.64 gal (100.84 L)	
Gallons per Rack	0.89 gal (3.37 L)	0.72 gal (2.73 L)	
Waterline Size MIP (minimum)	3/4"	3/4"	
Drainline Size IPS (minimum)	1- 1/2"	1- 1/2"	
Flow Pressure (PSI) Connection	40	40	
Operating Flow Pressure (PSI)	10	10	
Wash Tank Capacity	8 gal (30 L)	8 gal (30 L)	
Booster Tank Capacity	3 gal (11 L)	3 gal (11 L)	

HOW TO SPECIFY: TempStar® VER
 HOW TO SPECIFY: TempStar® HH-E VER

ELECTRICAL REQUIREMENTS				
Model	Power Supply	Total Load	Minimum Circuit Ampacity	Maximum Overcurrent Protection
TempStar VER	208/60/3	45.6 A	46.8 A	50 A
	230/60/3	49.8 A	51.1 A	60 A
	460/60/3	24.2 A	24.7 A	30 A
	208/60/1	75.2 A	76.5 A	80 A
	230/60/1	82.7 A	83.9 A	90 A
TempStar HH-E VER	208/60/3	51.8 A	54.6 A	70 A
	230/60/3	56.0 A	58.8 A	70 A
	460/60/3	25.7 A	26.5 A	30 A
	208/60/1	81.4 A	84.2 A	100 A
	230/60/1	88.9 A	91.7 A	100 A

TANK HEATER SPECIFICATIONS		
	Volts	KW
Electric Wash Tank Heater	208V	4.1
	230V	5.0
	460V	5.0
Electric Rinse Tank Heater - 70°F (38.9°C) Rise	208V	10.5
	230V	12.9
	460V	12.9

WASH PUMP MOTOR	
Wash Pump Motor - TempStar VER	1 hp
Wash Pump Motor - TempStar HH-E VER	2 hp

AMBIENT HEAT LOAD (as tested on standard height model)	
Latent Heat (BTU)	5300
Sensible Heat (BTU)	4500

*Racks per hour calculated with NSF suggested load time of five (5) seconds for door-type (straight thru)
 **Gallons per hour calculated with NSF suggested load time of five (5) seconds for door-type (straight thru)

Jackson WWS, Inc.
 Shipping Address: 6209 North U.S. Highway 25E, Gray, KY 40734
 Mailing Address: P.O. Box 1060, Barbourville, KY 40906
 Telephone: 888-800-5672 • Fax: 606-523-1799
 Email: info@jacksonwws.com
 07610-002-66-59B [03/09/21]

www.jacksonwws.com

We reserve the right to change specifications in this bulletin without incurring any obligation for equipment previously or subsequently sold.