

# Dishwashers

800 Series | 500 Series | 300 Series | Ascenta®



**BOSCH**

Invented for life



**Sears**

© 2011 Sears Brands, LLC. All Rights Reserved



**If you didn't notice it was a Bosch, you'd never know it was there.** That's how quiet our dishwashers are. Our machines register as low as 39 dBA—making Bosch the quietest brand\*. Their performance speaks for itself, scrubbing the grime off the dirtiest plates and

\* Bosch offers the quietest dishwasher in North America and no major brand offers a quieter model at any Bosch price point. Class defined by similarly priced and designed models of major brands, obtained from competitors' websites May 2011.

# Dishwashers



leaving glassware translucent and spot-free. Better still, they do all this with impressive efficiency, far surpassing recommended Energy Star® levels in energy and water usage, using fewer resources for stellar results—at a whisper.

# There is a lot to say about something so quiet.

## Quietness

You may have heard that Bosch is the quietest brand of dishwashers in the U.S.\* and that there is no quieter dishwasher in any Bosch price point. Maybe you're not hearing anything much at all. That's because with three layers of sound-muffling material—metal, cotton-fiber insulation, and heavy-duty bitumen sheets—and our suspended, two-pump motor system that dramatically reduces vibration and noise, Bosch has created a kind of quiet that screams German engineering.

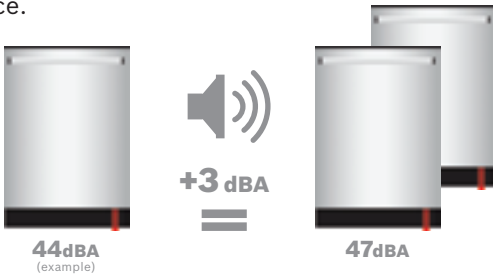
## Engineering a quiet response

### Quietest brand

Noise is measured in decibels (dBA). A whisper is about 30 dBA, and a normal conversation is about 60 dBA. As the quietest dishwashers in the U.S.,\* Bosch has a silence rating as low as 39 dBA, equivalent to that of a library. All Bosch quiet levels are certified by an independent lab.

\* Bosch offers the quietest dishwasher in North American and no major brand offers a quieter model at any Bosch price point. Class defined by similarly priced and designed models of major brands, obtained from competitors' websites May 2011.

**Noise matters.** A three-decibel increase is the auditory equivalent of running two dishwashers at once.



### Two-pump motor system

By using two small pumps to individually wash and drain instead of a single large one, vibration and noise are dramatically reduced.

### Suspension motor

We've suspended our two-pump motor system using rubber hammocks to help absorb and minimize any vibration and noise, quieting your kitchen.

### Solid molded base

Solid construction and enhanced insulation reduce vibration and add to overall noise reduction.

### InfoLight®



Sometimes your dishwasher will be so quiet, you won't know it's on. That's why there's InfoLight, a small red light projected onto the floor to indicate that your dishwasher is still in one of its cycles.

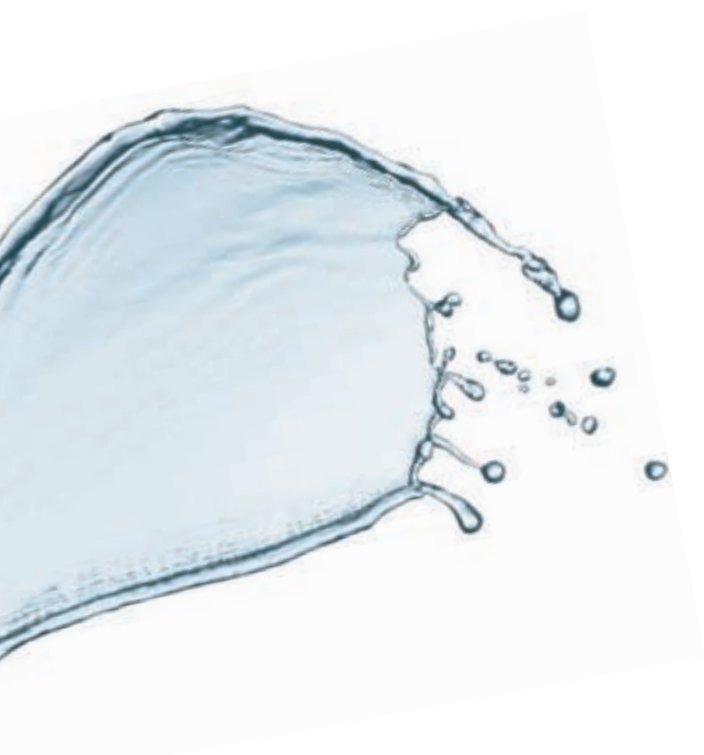


Model shown: SHE43R55UC / 16392

## Efficiency

With back-to-back ENERGY STAR® Partner of the Year awards (and 2011's Sustained Excellence Award, to boot), our commitment to efficiency is impressive. Case in point: Bosch can save more than two gallons of water per load when compared to the industry average. That's what you get with Bosch and the most efficient dishwasher in the U.S.

And innovations like EcoSense®, which adjusts water and heat usage automatically to reduce energy usage by up to 20% while minimizing water usage, are why Bosch dishwashers can save over 400 gallons a year\*:

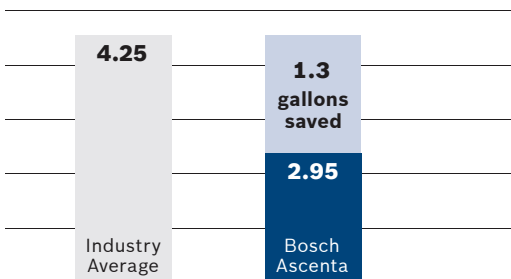


\*Based on standard-size dishwashers, according to ENERGY STAR®. According to 2010 AHAM Shipment Weighted Averages and minimum water usage of the normal cycle of this Bosch dishwasher.

## A passion for efficiency

### Most water-efficient

Bosch makes water work better by using less of it, as little as 2.0 gallons per cycle. Our dishwashers can save almost two gallons per cycle (compared to the average dishwasher) without sacrificing cleaning performance. And we have the most water-efficient dishwasher in each class.\*



Bosch water usage vs. industry average usage, in gallons (2010, AHAM shipments).

### ActiveWater™

Technology that utilizes design, water pressure and efficiency to turn two gallons of water into the cleaning power of more than 1,300.

### Flow-through water heater

Bosch dishwashers channel 100% of the water through tight coils in a confined heating chamber, which heats the water quickly and efficiently.

### Half-load



Use this cycle when washing small, lightly soiled loads that fill half or less of the dishwasher's capacity. The Auto cycle uses sensor decisions to dramatically reduce energy and water consumption.

\*Class defined by similarly priced models and designs of major brands.

## Quality

There are many standards of quality. Some rate performance, others design, materials and style, but we don't stop until the product meets the exacting Bosch standard of German-engineered quality. That means using the highest-quality stainless steel along with other solid design materials. All housed in the most innovative machine we can produce. We strive to produce beautiful, powerful, stylish dishwashers that meet our collective standards as the #1 dishwasher brand.

## The artistic side of functionality

### German-engineered quality

When we talk about German engineering, we're talking about our commitment to producing the world's best products. We use the smartest thinking to make complex machinery easy to operate while using the highest-quality materials to build them.

### Stainless steel tub

Bosch dishwashers' high-quality stainless steel construction retains heat better than plastic tubs, which helps dry dishes faster and more efficiently. They also come with a lifetime warranty against rust-through, because not all stainless steel tubs have the same quality.

### Warranty

One year parts and labor, five years on all electronic components (parts only), five years on racks (parts only), lifetime warranty against rust-through on the tub.\*

\*Certain limitations apply. See manufacturer's limited warranty for details.



## Custom Panel



Pairing a custom cabinet panel with your

dishwasher amplifies your kitchen's look by giving it a minimalist, avant-garde feel. Its sleek look disappears into your cabinetry for a quietly flush installation.



## Good Housekeeping Seal

For more than 100 years, the Good Housekeeping Seal of Approval has been reassuring consumers that they've made the smart choice. Which is why we're proud that all Bosch dishwashers are backed by the Seal and Good Housekeeping's additional two-year limited warranty.



## Quality testing

100% of our dishwashers are tested at our New Bern, North Carolina, factory, and go through 485 individual quality control tests before being shipped. We test dishwashers through their traditional lifespan, up to 4,000 wash cycles, the equivalent of 10 years' use.

## Self-latching door

Keep the door at the position you want it when you open your Ascenta dishwasher or load your dishes. The self-latching door holds at any position, and if your door is open at less than 20°, the door will automatically close and click shut.



## Performance

With Bosch, our sophisticated technologies aren't just ultra-efficient, they're ultra-effective at getting dishes clean and spot-free. And it's these technologies that have led to Bosch's standing as the top-rated dishwasher line in the U.S.

### Variable spray pressure



Higher and lower spray pressure allows for better load customization and enhanced cleaning performance, based on the cycle that is selected.

### Extra tall item sprinkler

Simply remove the top rack and place your serving platters, cookie sheets, hood filters and refrigerator shelves that are up to 22" high in the bottom rack.





### **ActiveTab® system**

Innovatively designed and integrated into the middle of the dishwasher, ActiveTab helps dissolve detergent tablets more efficiently and effectively.

### **Water softener**

The ADA compliant dishwasher has a water-softening system that softens the water to the optimal level and eliminates spots caused by lime deposits left behind by hard water.

### **Triple filtration system**

The triple-filtration system uses a three-step process to remove even the finest dirt particles from the washing cycle, for sparkling-clean dishes and glasses every time. And all three filter elements are self-cleaning for worry-free operation.

### **Auto Wash**

By detecting the amount of water and debris that is drained from the dishwasher each cycle, Auto Wash is able to optimize the amount of new water for following cycles, helping to maximize water and energy efficiency while maintaining top performance.

## Capacity

Each Bosch dishwasher is designed to maximize space and flexibility, giving you the space you need to organize your dishes and clean them more efficiently.

### Place settings



Bosch designs its racks to accommodate even the largest dinner parties, with most models able to hold up to 14 place settings

in one load.

### RackMatic®

The RackMatic upper-basket height adjustment allows for one-step adjustment of the racks when loaded. The rack has two simple steps to enhance loading flexibility to accommodate large platters and tall glasses.

### Silverware basket



The removable silverware basket can be placed anywhere in the dishwasher, adding space for other items. Plus, the Duo-flex

basket can be split into two pieces, placed side-by-side or back-to-back, for the ultimate flexibility in loading.



## Safety

Arguably the safest on earth, Bosch dishwashers are the only ones in the U.S. with AquaStop,<sup>®</sup> our leak-protection system that automatically detects water in the base, shuts down operation and pumps it out.

### AquaStop and AquaStop Plus



Bosch is the only U.S. manufacturer to offer a high-tech leak-protection system in their dishwashers. AquaStop is a precisely engineered tub and sensor system that detects leaks in the solid molded base of the dishwasher, shuts down operation and automatically pumps out water so it cannot make contact with the floor. This eliminates the risk of costly water damage. The AquaStop Plus, available on the ADA compliant dishwasher, includes an electro valve at the water tap and a unique, double-walled hose system for the most comprehensive safety system available.

### SaniDry™ condensation drying system

Condensation drying works by heating the dishes with hot water from the final rinse. The closed system does not draw outside air into the dishwasher, which makes it the most sanitary way to dry dishes.

### 24/7 overflow protection system

Only the Ascenta<sup>®</sup> 24/7 overflow protection system senses leaks even if the dishwasher is turned off. If water levels get too high, the dishwasher pumps the water out of the tub and closes the water inlet.

### No exposed heating element

Our concealed flow-through water heater prevents plastic items on the bottom rack from melting and protects you from accidental burns during unloading.

### Sanitize option

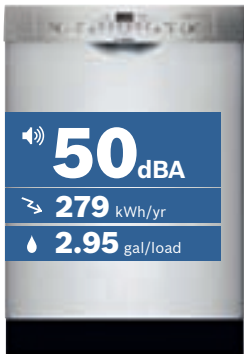
By operating at a higher temperature, the sanitize option meets National Sanitation Foundation (NSF) standards of cleanliness, eliminating 99.9% of bacteria, and enhances your drying results as well.



# A family of dishwashers so quiet and efficient, they scream German engineering.



**Stainless steel with polypropylene interior**



**Stainless steel interior**



Manual adjustment rack	InfoLight®
3-6-9 hour delay start	Manual adjustment rack
Sanitize option	N/A
Long silverware basket	Sanitize option
300 series racks	Long silverware basket
24/7 overflow protection	300 series racks*
4-6 cycles, 1-2 options	AquaStop®
	4 cycles, 1 option

\*Available on Select Models



**Stainless steel interior**



**Stainless steel interior**



Remaining time indicator
InfoLight®
RackMatic®
19-hour delay start
Sanitize option
Duo flexible silverware basket
500 series racks
AquaStop®
4 cycles, 2 options

Express Wash
Remaining time indicator/LCD
InfoLight®
RackMatic®
19-hour delay start
Sanitize option
Duo flexible silverware basket
800 series racks
AquaStop®
6 cycles, 3 options



Recessed handle



Bar handle



Custom Panel

800 Series	Mfr. Model#	Color	Handle	Sears Item#
<b>Model Numbers</b>	SHE68R55UC	Stainless steel	recessed	16453
	SHE68R52UC	White	recessed	16452
	SHE68R56UC	Black	recessed	16459
	SHX68R55UC	Stainless steel	bar	16413
	SHX68R52UC	White	bar	16412
	SHX68R56UC	Black	bar	16419
	SHV68R53UC	Custom Panel		16416
<b>Appearance</b>	Stainless Steel TallTub			
	6 Wash Cycles and 3 Options			
	Real Stainless Steel Fascia Panel			
	LCD Display			
<b>Quietness</b>	Virtually Silent: 44 dBA			
	Solid Base Contains Sound & Prevents Leaks			
	InfoLight® Cycle Indicator LED			
<b>Efficiency</b>	Saves 290 gallons of water each year			
	234 kWh/yr—ENERGY STAR® Qualified			
	Exceeds ENERGY STAR® Requirements for Water by 72%			
	EcoSense® Reduces Energy Usage up to 20%			
	Half-load Option for Small Loads			
<b>Safety</b>	AquaStop® Leak Protection			
	NSF-certified—Eliminates 99.9% of Bacteria			
	Sanitize Option Removes Bacteria & Enhances Drying			
<b>Capacity</b>	14 Place Setting Capacity			
	800 Series Flexible Racks with Duo-Flex Silverware Basket			
	Duo Flex Silverware Basket			
	Extra Tall Item Sprinkler Cleans Items 22" Tall			
<b>Convenience</b>	Multi-Function LED with Remaining Time			
	19 Hour Delay Start Timer			
	Express Wash—In 30 Minutes or Less			
<b>Performance</b>	Variable Spray Pressure			







Recessed handle



Bar handle



Custom Panel

500 Series	Mfr. Model#	Color	Handle	Sears Item#
	SHE55R55UC	Stainless steel	recessed	16443
	SHE55R52UC	White	recessed	16442
	SHE55R56UC	Black	recessed	16449
	SHX55R55UC	Stainless steel	bar	16403
	SHX55R52UC	White	bar	16402
	SHX55R56UC	Black	bar	16409
	SHV55R53UC	Custom panel		16406
	Stainless Steel TallTub			
	4 Wash Cycles and 2 Options			
	Real Stainless Steel Fascia Panel*			
	Virtually Silent: 46 dBA			
	Solid Base Contains Sound & Prevents Leaks			
	InfoLight® Cycle Indicator LED			
	Saves 280 gallons of water each year			
	259 kWh/yr—ENERGY STAR® Qualified			
	Exceeds ENERGY STAR® Requirements for Water by 69%			
	EcoSense® Reduces Energy Usage up to 20%			
	Half-load Option for Small Loads			
	AquaStop® Leak Protection			
	NSF-certified—Eliminates 99.9% of Bacteria			
	Sanitize Option Removes Bacteria & Enhances Drying			
	14 Place Setting Capacity			
	500 Series Racks with Duo-Flex Silverware Basket			
	RackMatic® Automatically Adjustable Upper Rack			
	Extra Tall Item Sprinkler Cleans Items 22" Tall			
	Multi-Function LED with Remaining Time			
	19 Hour Delay Start Timer			

\*Applies on SHX &amp; SHV models





Recessed handle

**Named #1 dishwasher for the 10th time by leading consumer publication.\***

500 Series	Mfr. Model#	Color	Handle	Sears Item#
<b>Model Numbers</b>	SHE55M15UC	Stainless steel	recessed	11903
	SHE55M12UC	White	recessed	11902
	SHE55M16UC	Black	recessed	11909
<b>Appearance</b>	Stainless Steel TallTub			
	5 Wash Cycles and 3 Options			
	Stainless Steel Look Fascia Panel			
<b>Quietness</b>	Virtually Silent: 47 dBA			
	Solid Base Contains Sound & Prevents Leaks			
<b>Efficiency</b>	Saves 280 gallons of water each year			
	259 kWh/yr—ENERGY STAR® Qualified			
	Exceeds ENERGY STAR® Requirements for Water by 69%			
	EcoSense® Reduces Energy Usage up to 20%			
	Half-load Option for Small Loads			
<b>Safety</b>	AquaStop® Leak Protection			
	NSF-certified—Eliminates 99.9% of Bacteria			
<b>Capacity</b>	14 Place Setting Capacity			
	800 Series Flexible Racks with Duo-Flex Silverware Basket			
	RackMatic® Automatically Adjustable Upper Rack			
	Extra Tall Item Sprinkler Cleans Items 22" Tall			
<b>Convenience</b>	Multi-Function LED with Remaining Time			
	19 Hour Delay Start Timer			
	Quick Wash—In 30 Minutes or Less			

\* Rating from 2010 based on washing performance, and includes energy and water use, noise, loading flexibility, cycle time and ease of use.





Recessed handle



Bar handle



Custom Panel

300 Series	Mfr. Model#	Color	Handle	Sears Item#
	SHE43R55UC	Stainless steel	recessed	16393
	SHE43R52UC	White	recessed	16392
	SHE43R56UC	Black	recessed	16399
	SHX43R55UC	Stainless steel	bar	16783
	SHX43R52UC	White	bar	16782
	SHX43R56UC	Black	bar	16789
	SHV43R53UC	Custom panel		16786
	Stainless Steel TallTub			
	4 Wash Cycles and 1 Option			
	Virtually Silent: 48 dBA			
	Solid Base Contains Sound & Prevents Leaks			
	InfoLight® Cycle Indicator LED			
	Saves 280 gallons of water each year			
	259 kWh/yr—ENERGY STAR® Qualified			
	Exceeds ENERGY STAR® Requirements for Water by 69%			
	EcoSense® Reduces Energy Usage up to 20%			
	Half-load Cycle for Small Loads			
	AquaStop® Leak Protection			
	NSF-certified—Eliminates 99.9% of Bacteria			
	Sanitize Option Removes Bacteria & Enhances Drying			
	14 Place Setting Capacity			
	300 Series Racks with Long Silverware Basket			
	Manual Height Adjustment Upper Rack			



Bar handle

300 Series	Mfr. Model#	Color	Handle	Sears Item#
<b>Model Numbers</b>	SHX33R55UC <b>Sears Exclusive</b>	Stainless steel	bar	16563
<b>Appearance</b>	Stainless Steel TallTub			
	4 Wash Cycles and 1 Option			
<b>Quietness</b>	Virtually Silent: 50 dBA			
<b>Efficiency</b>	Solid Base Contains Sound & Prevents Leaks			
	Saves 280 gallons of water each year			
	259 kWh/yr—ENERGY STAR® Qualified			
	Exceeds ENERGY STAR® Requirements for Water by 69%			
	EcoSense® Reduces Energy Usage up to 20%			
<b>Safety</b>	AquaStop® Leak Protection			
	NSF-certified—Eliminates 99.9% of Bacteria			
	Sanitize Option Removes Bacteria & Enhances Drying			
<b>Capacity</b>	14 Place Setting Capacity			
	300 Series Upper and Standard Lower Rack with Long Silverware Basket			
	Manual Height Adjustment Upper Rack			
<b>Convenience</b>	Multi-Function LED with Remaining Time			
	Express Wash—In 30 Minutes or Less			
	Self-latching Door Stays Put and Latches			
<b>Performance</b>	Variable Spray Pressure			





# My first Bosch.

## Aspirational affordability

The Ascenta line of dishwashers offers outstanding Bosch quietness, efficiency and a rich feature set as a superior alternative to all-plastic tub dishwashers. Our exclusive stainless-steel wash tub with a polypropylene base makes purchasing an easy choice when it comes to deciding on feature sets, quietness and value. We've also incorporated a newly enhanced motor system for greater noise reduction. It makes sense to make Ascenta your first Bosch dishwasher.



**Ultra-quiet drain pump**

A new drain pump design reduces noise while draining. Plus, a new dispenser location and optimized hydraulics combined with our famous suspension motor and two-pump motor system make the Bosch Ascenta the quietest dishwasher in its class with a sound output of 50 dBA.

**Triple filtration**

The triple filtration system uses a three-step process to remove even the finest dirt particles from the washing cycle for sparkling clean dishes and glasses every time. The innovative design increases filtration effectiveness. And all three filter elements are self cleaning for worry-free operation.

**Efficiency**

Bosch ENERGY STAR® qualified dishwashers offer class-leading efficiency thanks to cutting-edge technology. Ascenta's energy rating is 279 kWh/yr, well below ENERGY STAR® requirements. Ascenta dishwashers are the most energy and water efficient in their class.\*

**Overflow protection system**

Only Ascenta® 24/7 overflow protection system senses leaks even if the dishwasher is turned off. In case water levels get too high, the dishwasher pumps the water out of the tub and closes the water inlet.

NOTE: Features may vary by model.

\*Based on standard size, tall tube, stainless steel interior, dishwashers in comparable price points according to energystar.gov.



Recessed handle



Bar handle

Ascenta®	Mfr. Model#	Color	Handle	Sears Item#
<b>Model Numbers</b>	SHE3AR75UC	Stainless steel	recessed	16323
	SHE3AR72UC	White	recessed	16322
	SHE3AR76UC	Black	recessed	16329
	SHX3AR75UC	Stainless steel	bar	16433
	SHX3AR72UC	White	bar	16432
	SHX3AR76UC	Black	bar	16439
<b>Appearance</b>	Stainless Steel Tall Tub w/PP*			
	6 Wash Cycles and 2 Options			
<b>Quietness</b>	Virtually Silent: 50 dBA			
	Solid Base Contains Sound & Prevents Leaks			
<b>Efficiency</b>	Saves 280 gallons of water each year			
	279 kWh/yr—ENERGY STAR® Qualified			
	Exceeds ENERGY STAR® Requirements for Water by 69%			
	EcoSense® Reduces Energy Usage up to 20%			
	Half-load Option for Small Loads			
<b>Safety</b>	Bosch Exclusive 24/7 Overflow Leak Protection			
	NSF-certified—Eliminates 99.9% of Bacteria			
	Sanitize Option Removes Bacteria & Enhances Drying			
<b>Capacity</b>	14 Place Setting Capacity			
	300 Series Upper and Lower Rack with Long Silverware Basket			
	Manual Height Adjustment Upper Rack			
<b>Convenience</b>	Multi-Function LED with Remaining Time			
	3/6/9-hour Delay Start Timer			
	Express Wash—In 30 Minutes or Less			
	Self-latching Door Stays Put and Latches			
	Delicate Wash for Fine China			

\*Polypropylene







Recessed handle



Bar handle

Ascenta®	Mfr. Model#	Color	Handle	Sears Item#
	SHE3AR55UC	Stainless steel	recessed	16313
	SHE3AR52UC	White	recessed	16312
	SHE3AR56UC	Black	recessed	16319
	SHX3AR55UC	Stainless steel	bar	16423
	SHX3AR52UC	White	bar	16422
	SHX3AR56UC	Black	bar	16429
	Stainless Steel TallTub w/PP*			
	4 Wash Cycles and 2 Options			
	Virtually Silent: 50 dBA			
	Saves 280 gallons of water each year			
	279 kWh/yr—ENERGY STAR® Qualified			
	Exceeds ENERGY STAR® Requirements for Water by 69%			
	EcoSense® Reduces Energy Usage up to 20%			
	Half-load Option for Small Loads			
	Bosch Exclusive 24/7 Overflow Leak Protection			
	NSF-certified—Eliminates 99.9% of Bacteria			
	Sanitize Option Removes Bacteria & Enhances Drying			
	14 Place Setting Capacity			
	Standard Racks with Long Silverware Basket			
	3/6/9-hour Delay Start Timer			
	Self-latching Door Stays Put and Latches			
	Variable Spray Pressure			

\*Polypropylene



# Special Applications



Bar handle



Custom panel

ADA Compliant 18" Series	Mfr. Model#	Color	Handle	Sears Item#
<b>Model Numbers</b>	SRX53C15UC SRV53C13UC	Stainless steel Custom panel	bar	12433 12436
<b>Appearance</b>	Stainless Steel Euro Tub (shorter height)			
	5 Wash Cycles and 2 Options			
	ADA Compliant for Lower Countertop Installation			
<b>Quietness</b>	Virtually Silent: 49 dBA			
	Solid Base Contains Sound & Prevents Leaks			
<b>Efficiency</b>	Saves 273 gallons of water each year			
	306 kWh/yr—ENERGY STAR® Qualified			
	Exceeds ENERGY STAR® Requirements for Water by 68%			
	EcoSense® Reduces Energy Usage up to 20%			
	Half-load Option for Small Loads			
<b>Safety</b>	AquaStop® Plus Four-part 24/7 Leak Protection			
<b>Capacity</b>	9 Place Setting Capacity			
	Premium Racks with Single-Flexible Silverware Basket			
	RackMatic® Automatically Adjustable Upper Rack			
	Extra Tall Item Sprinkler Cleans Items 22" Tall			
<b>Convenience</b>	Multi-Function LED with Remaining Time			
	19 Hour Delay Start Timer			
	Quick Wash—In 30 Minutes or Less			
<b>Performance</b>				





Recessed handle

ADA Compliant 24" Series	Mfr. Model#	Color	Handle	Sears Item#
	SGE63E15UC	Stainless steel	recessed	16793
	SGE63E06UC	Black	recessed	12049
	Stainless Steel Euro Tub (shorter height)			
	6 Wash Cycles and 5 Options			
	ADA Compliant for Lower Countertop Installation			
	Virtually Silent: 49 dBA			
	Solid Base Contains Sound & Prevents Leaks			
	Saves 484 gallons of water each year			
	234 kWh/yr—ENERGY STAR® Qualified			
	Exceeds ENERGY STAR® Requirements for Water by 150%			
	EcoSense® Reduces Energy Usage up to 20%			
	Half-load Option for Small Loads			
	AquaStop® Plus Four-part 24/7 Leak Protection			
	Sanitize Option Removes Bacteria & Enhances Drying			
	14 Place Setting Capacity			
	Vario Racks with Flexible Silverware Basket			
	Manual Height Adjustment Upper Rack			
	Multi-Function LED with Remaining Time			
	24 Hour Delay Start Timer			
	Quick Wash—In 30 Minutes or Less			
	Variable Spray Pressure			
	ActiveTab® Tray Optimizes Detergent Dissolving			
	Water Softener Ensures Perfect Cleaning			



# Dishwasher Accessories

Accessory Description	Accessory Model #s	Dishwasher Model #s
Stainless Steel Door with Polished and Round Tubular Stainless Steel Handle	SGZ1005UC	SHV68R, SHV55R and SHV43R Only
Stainless Steel Door with Flat and Matte Stainless Steel Handle	SGZ1006UC	SHV68R, SHV55R and SHV43R Only
Flat and Matte Stainless Steel Handle	SGZ1007UC	SHV68R, SHV55R and SHV43R Only



\*SGZ1005UC (Optional door with polished and round handle)



\*SGZ1006UC (Optional door with flat and matte handle)



\*SGZ1007UC (Flat and matte stainless steel handle)

# Dishwasher Colors

## Recessed Handle



**Stainless Steel**  
(SHE43R55UC  
/ 16393  
Model Shown)



**Black**  
(SHE43R56UC  
/ 16399  
Model Shown)



**White**  
(SHE43R52UC  
/ 16392  
Model Shown)



**Stainless Steel**  
(SGE63E15UC  
/ 16793  
Model Shown)

## Bar Handle



**Stainless Steel**  
(SHX43R55UC  
/ 16783  
Model Shown)



**Black**  
(SHX43R56UC  
/ 16789  
Model Shown)



**White**  
(SHX43R52UC  
/ 16782  
Model Shown)



**Stainless Steel**  
(SRX53C15UC  
/ 12433  
Model Shown)

## Fully Integrated



**Fully Integrated**  
(SHV43R53UC  
/ 16786  
Model Shown)



**Custom Panel**  
(SRV53C13UC  
/ 12436  
Model Shown)

# Dishwasher Technical Details

Model	800 Series / Sears#
<b>Color</b>	
Stainless Steel	SHE68R55UC / 16453
White	SHE68R52UC / 16452
Black	SHE68R56UC / 16459
Custom Panel	
<b>Silence</b>	
dBA	44
InfoLight®	■
<b>Efficiency</b>	
Water—gallons/load	2.90
Energy—kWh/year	234
<b>Wash Cycles</b>	
	6
Heavy	■
Normal	■
Auto	■
Half Load	
Delicate	■
Express	■
Rinse/Rinse & Hold	■
Glass Care	
Auto Plus	
Auto Delicate	
Extreme Wash	
Enviro Wash	
<b>Options</b>	
	3
Half Load	■
EcoAction®	
Extra Wash	
Sanitize	■
Delay Start	19 h
<b>Safety</b>	
Leak Protection	AquaStop®
ChildLock Electric	
ChildLock Mechanical	
PerfectDoor®	■
Self-latching Door	
<b>Wash Sensor</b>	
EcoSense®	■
Load Size Sensor	
Variable Spray Pressure	■
<b>Upper Rack</b>	
	800
Place Setting Capacity	14
Adjustability	RackMatic™
ActiveTab™ Tray	
Handle	Bosch Plastic
Flip Tines	2
Cup Shelves	3
Plastic Item Clips	
Small Accessory Basket	■
Knife Rack	
<b>Lower Rack</b>	
	800
Handle	Bosch Plastic
Flip Tines	2
Silverware Basket	Duo-Flex
Silverware Basket Cover	■
Vase/Baby Bottle Holder	
<b>Display</b>	
Remaining Time	■
Sanitized Indicator Light	■
Rinse Aid Indicator Light	■
End-of-Cycle Indicator	
<b>Other</b>	
3rd Loading Level	
Extra Tall Item Sprinkler	■
Detergent & Rinse-Aid Dispenser	■
End-of-Cycle Sound	■
OptiDry®	■
Power Cord Included	
Water Hose Included	



Model	500 Series / Sears#	300 Series / Sears#
<b>Color</b>		
Stainless Steel	SHE55M15UC / 11903	SHE43R55UC / 16393
White	SHE55M12UC / 11902	SHE43R52UC / 16392
Black	SHE55M16UC / 11909	SHE43R56UC / 16399
Custom Panel		
<b>Silence</b>		
dBA	47	48
InfoLight®		■
<b>Efficiency</b>		
Water—gallons/load	2.95	2.95
Energy—kWh/year	259	259
<b>Wash Cycles</b>		
Heavy	■	■
Normal	■	■
Auto	■	■
Half Load		
Delicate	■	
Express	■	■
Rinse/Rinse & Hold		
Glass Care		
Auto Plus		
Auto Delicate		
Extreme Wash		
Enviro Wash		
<b>Options</b>		
Half Load	■	
EcoAction®	■	
Extra Wash		
Sanitize		■
Delay Start	19 h	
<b>Safety</b>		
Leak Protection	AquaStop®	AquaStop®
ChildLock Electric	■	■
ChildLock Mechanical		
PerfectDoor®	■	■
Self-latching Door		
<b>Wash Sensor</b>		
EcoSense®	■	■
Load Size Sensor		
Variable Spray Pressure		
<b>Upper Rack</b>		
Place Setting Capacity	800	300
Adjustability	14	14
ActiveTab™ Tray	RackMatic™	Manual
Handle	Bosch Plastic	Bosch Plastic
Flip Tines	4	1
Cup Shelves	2	2
Plastic Item Clips		
Small Accessory Basket		
Knife Rack		
<b>Lower Rack</b>		
Handle	800	300
Flip Tines	Handle Wire	Handle Wire
Silverware Basket	4	1
Silverware Basket Cover	Duo-Flex	Long
Vase/Baby Bottle Holder	■	■
<b>Display</b>		
Remaining Time	■	
Sanitized Indicator Light	■	■
Rinse Aid Indicator Light	■	■
End-of-Cycle Indicator		
<b>Other</b>		
3rd Loading Level		
Extra Tall Item Sprinkler	■	
Detergent & Rinse-Aid Dispenser	■	■
End-of-Cycle Sound	■	■
OptiDry®	■	■
Power Cord Included		
Water Hose Included		



300 Series / Sears#	300 Series / Sears#	300 Series / Sears#
SHX43R55UC / 16783	SHX33R55UC / 16563	SHE3AR75UC / 16323
SHX43R52UC / 16782		SHE3AR72UC / 16322
SHX43R56UC / 16789		SHXEAR76UC / 16329
SHV43R53UC / 16786		
48	50	50
■		
2.95	2.95	2.95
259	259	279
4	4	6
■	■	■
■	■	■
■	■	■
■		
	■	■
		■
1	1	2
■	■	■
		3/6/9 h
AquaStop®	AquaStop®	24/7 Overflow
■	■	■
■	■	■
■	■	■
		■
300	300	300
14	14	14
Manual	Manual	Manual
Bosch Plastic	Bosch Plastic	Bosch Plastic
1	1	1
2	2	2
300	300	300
Handle Wire	Handle Wire	Handle Wire
1	1	1
Long	Long	Duo-Flex
■	■	■
		■
■	■	■
■	■	■
■	■	■
■	■	■
■	■	■

Model	Ascenta® / Sears#	Ascenta® / Sears#
<b>Color</b>		
Stainless Steel	SHX3AR75UC / 16433	SHE3AR55UC / 16313
White	SHX3AR72UC / 16432	SHE3AR52UC / 16312
Black	SHX3AR76UC / 16439	SHE3AR56UC / 16319
Custom Panel		
<b>Silence</b>		
dBA	50	50
InfoLight®		
<b>Efficiency</b>		
Water—gallons/load	2.95	2.95
Energy—kWh/year	279	279
<b>Wash Cycles</b>		
Heavy	■	■
Normal	■	■
Auto	■	■
Half Load	■	■
Delicate	■	
Express	■	
Rinse/Rinse & Hold		
Glass Care		
Auto Delicate		
Extreme Wash		
Enviro Wash		
<b>Options</b>		
Half Load		
EcoAction®		
Extra Wash		
Sanitize	■	■
Delay Start	3/6/9 h	3/6/9 h
<b>Safety</b>		
Leak Protection	24/7 Overflow	24/7 Overflow
ChildLock Electric		■
ChildLock Mechanical		
PerfectDoor®	■	■
Self-latching Door	■	■
<b>Wash Sensor</b>		
EcoSense®	■	■
Load Size Sensor		
Variable Spray Pressure	■	■
<b>Upper Rack</b>		
Place Setting Capacity	300	Standard
Adjustability	14	14
ActiveTab™ Tray	Manual	
Handle	Bosch Plastic	
Flip Tines	1	1
Cup Shelves	2	1
Plastic Item Clips		
Small Accessory Basket		
Knife Rack		
<b>Lower Rack</b>		
Handle	300	Standard
Flip Tines	Handle Wire	
Silverware Basket	1	
Silverware Basket Cover	Long	Long
Vase/Baby Bottle Holder	■	■
<b>Display</b>		
Remaining Time	■	
Sanitized Indicator Light	■	■
Rinse Aid Indicator Light	■	■
End-of-Cycle Indicator	■	■
<b>Other</b>		
3rd Loading Level		
Extra Tall Item Sprinkler		
Detergent & Rinse-Aid Dispenser	■	■
End-of-Cycle Sound		
OptiDry®	■	■
Power Cord Included		
Water Hose Included		

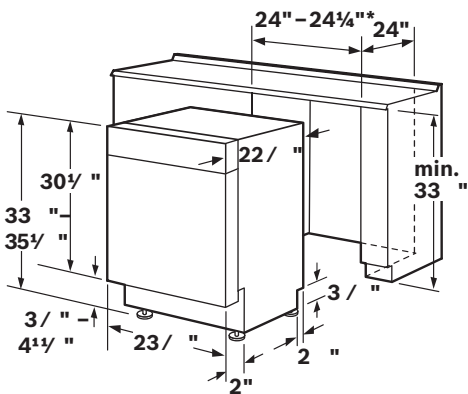
# Special Applications

Ascenta® / Sears#	18" ADA / Sears#	24" ADA / Sears#
SHX3AR55UC / 16423	SRX53C15UC / 12436	SGE63E15UC / 16793
SHX3AR52UC / 16422		
SHX3AR56UC / 16429		SGE63E16UC / 12049
	SRV53C13UC / 12436	
50	49	49
2.95	2.98	2.00
279	306	234
4	5	6
■	■	■
■	■	■
■		■
■		
	■	■
	■	■
	■	
		■
2	2	5
	■	■
		■
■		■
3/6/9 h	19 h	24 h
24/7 Overflow	AquaStop® Plus	AquaStop® Plus
■	■	■
■		
■	■	■
■		■
Standard	Premium	Vario
14	9	14
	RackMatic™	Manual
		■
	Bosch Plastic	Active Tray
1	2	0
1	2	2
	0	0
Standard	Premium	Vario
	Bosch Plastic	
	4	2
Long	Flexible	Flexible
■		■
	■	■
■	■	■
■	■	■
■		
	■	■
■	■	■
	■	■
■	■	■
	■	■
	■	■
	■	■

# Dishwasher Dimensions and Installation

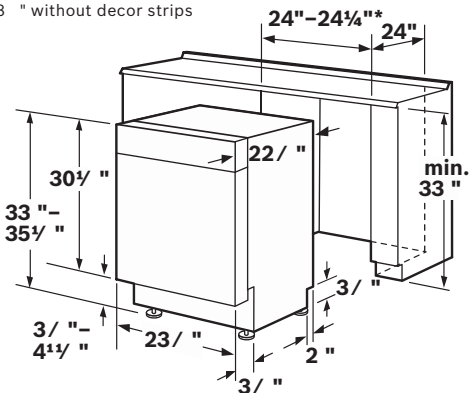
## Recessed Handle Dishwashers

**SHE55M1\_UC**  
**SHE55R5\_UC**  
**SHE68R5\_UC**



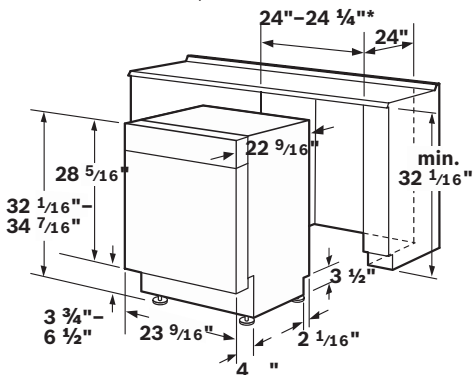
\*23 " without decor strips

**SHE3AR5\_UC**  
**SHE3AR7\_UC**  
**SHE3ARF\_UC**  
**SHE43R5\_UC**  
**SHE43RF\_UC**  
**SHE45R55UC**



\*23 " without decor strips

**SGE63E06UC**  
**SGE63E15UC**



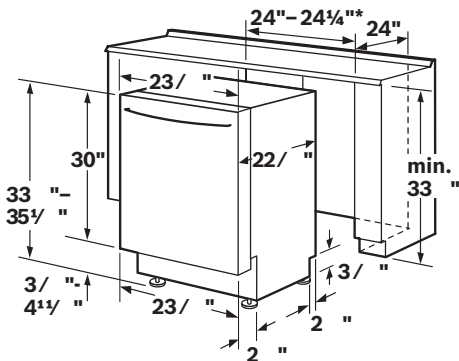
\*23 " without decor strips

• Note: Dimensions are for planning only. For details, see installation manual, or visit [www.bosch-home.com/us](http://www.bosch-home.com/us). Specifications subject to change without notice. For immediate installation dimensions by fax, call 1.925.284.3558. Use code #8317 for a directory of Bosch products. Also available online at [dexpro.com](http://dexpro.com).

Bar Handle Dishwashers

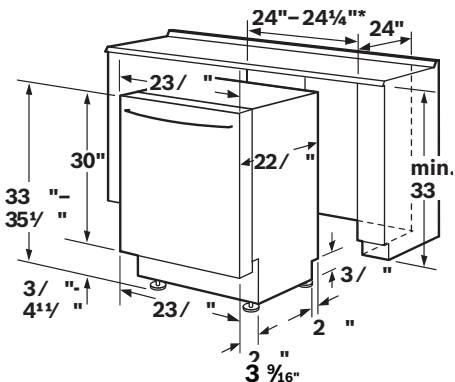
SHX55R5\_UC  
SHX68R5\_UC  
SHX98M09UC

SHX43R5\_UC  
SHV43R53UC



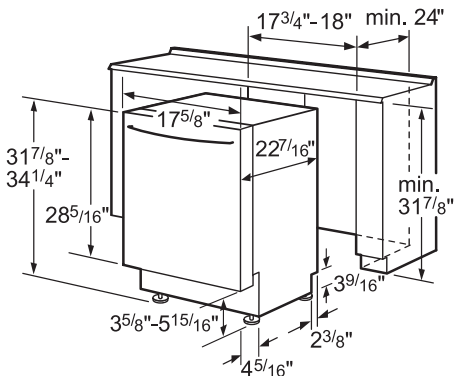
\*23 " without decor strips

SHX3AR5\_UC  
SHX3AR7\_UC  
SHX33RF\_UC



\*23 " without decor strips

SRX53C15UC

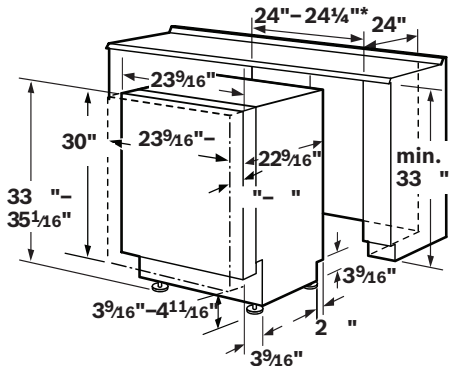


• Note: Dimensions are for planning only. For details, see installation manual, or visit [www.bosch-home.com/us](http://www.bosch-home.com/us). Specifications subject to change without notice. For immediate installation dimensions by fax, call 1.925.284.3558. Use code #8317 for a directory of Bosch products. Also available online at [dexpress.com](http://dexpress.com).

# Dishwasher Dimensions and Installation

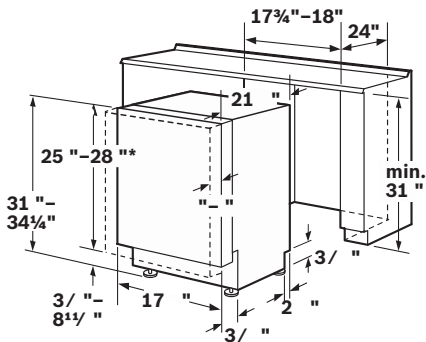
## Custom Panel Dishwashers

**SHV43R53UC**  
**SHV55R53UC**  
**SHV68R53UC**



\*23 5/8" without decor strips.

**SRV53C13UC**



\* Measured from the bottom edge of the countertop.  
 Recommended panel thickness 3/4".

• Note: Dimensions are for planning only. For details, see installation manual, or visit [www.bosch-home.com/us](http://www.bosch-home.com/us). Specifications subject to change without notice. For immediate installation dimensions by fax, call 1.925.284.3558. Use code #8317 for a directory of Bosch products. Also available online at [dexpro.com](http://dexpro.com).



Model shown: SHX55R55UC/16403

# A passion for efficiency, rewarded.

Bosch efficiently focuses on what matters most – quality and responsibility.



## Bosch Home Appliances

1.800.944.2904

[www.bosch-home.com/us](http://www.bosch-home.com/us)



**BOSCH**  
Invented for life



©2011 BSH Home Appliances Corporation. ©2011 BSH Home Appliances Ltd. All rights reserved. Bosch is a registered trademark of Robert Bosch GmbH. All information presented herein is based on data available at the time of printing and is subject to change without notice.



## Mixed Sources

Product group from well-managed forests and other controlled sources  
[www.fsc.org](http://www.fsc.org) Cert no. SCS-COC-001158  
© 1996 Forest Stewardship Council



[www.sears.com](http://www.sears.com)

© 2011 Sears Brands, LLC.  
All Rights Reserved