



Elo Touch Solutions, Inc.
670N. McCarthy Blvd. Suite 100
Milpitas, CA 95035

EU Importer: Elo Touch Solutions, Inc.
EU Contact : Elo Touch Solutions
NV Winggepark5B/301
3110 Rotselaar, Belgium
Brand name : Elo

CAN ICES-3(B)/NMB-3(B)

This device complies with Part 15 of the FCC Rules.

Operation is subject to the following two conditions:

(1) This device may not cause harmful interference, and

(2) This device must accept any interference received including interference that may cause undesired operation.



This equipment has been tested and found to comply with the limits for a Class B digital device, pursuant to Part 15 of the FCC Rules. These limits are designed to provide reasonable protection against harmful interference in a residential installation. This equipment generates uses and can radiate radio frequency energy and, if not installed and used in accordance with the instructions, may cause harmful interference to radio communications. However, there is no guarantee that interference will not occur in a particular installation. If this equipment does cause harmful interference to radio or television reception, which can be determined by turning the equipment off and on, the user is encouraged to try to correct the interference by one of the following measures:

- Reorient or relocate the receiving antenna.
- Increase the separation between the equipment and receiver.
- Connect the equipment into an outlet on a circuit different from that to which the receiver is connected.
- Consult the dealer or an experienced radio/TV technician for help.

“Changes or modifications not expressly approved by the party responsible for compliance could void the user’s authority to operate the equipment” .

Contents:

- 1 x Rotating POS Dock with Pogo-Pins
- 1 x Base Plate
- 1 x Flat Head screw: M3 x 6mm long ①
- 1 x Pan Head screw: M3 x 7mm long ②
- 1 x KM Head screw: M4 x 12mm long ③

Rotating POS Dock with Pogo-Pins only used with ELO TOUCH SOLUTIONS, INC.

Model: EMC-M100 or EMC-M100C.

Learn more about Elo at EloTouch.com

America

Tel +1 408 597 8000
EloSales.NA@elotouch.com

Europe (EMEA)

Tel +32 16 930 136
EMEA.sales@elotouch.com

Asia Pacific

Tel +86 (21) 3329 1385
EloAsia@elotouch.com

The information in this document is subject to change without notice. Elo Touch Solutions, Inc. and its Affiliates (collectively “Elo”) makes no representations or warranties with respect to the contents herein, and specifically disclaims any implied warranties of merchantability or fitness for a particular purpose. Elo reserves the right to revise this publication and to make changes from time to time in the content hereof without obligation of Elo to notify any person of such revisions or changes.

No part of this publication may be reproduced, transmitted, transcribed, stored in a retrieval system, or translated into any language or computer language, in any form or by any means, including, but not limited to, electronic, magnetic, optical, chemical, manual, or otherwise without prior written permission of Elo Touch Solutions, Inc.

Elo and the Elo logo are either trademarks or registered trademarks of Elo Touch Solutions, Inc.

© 2024 Elo Touch Solutions, Inc. All rights reserved.



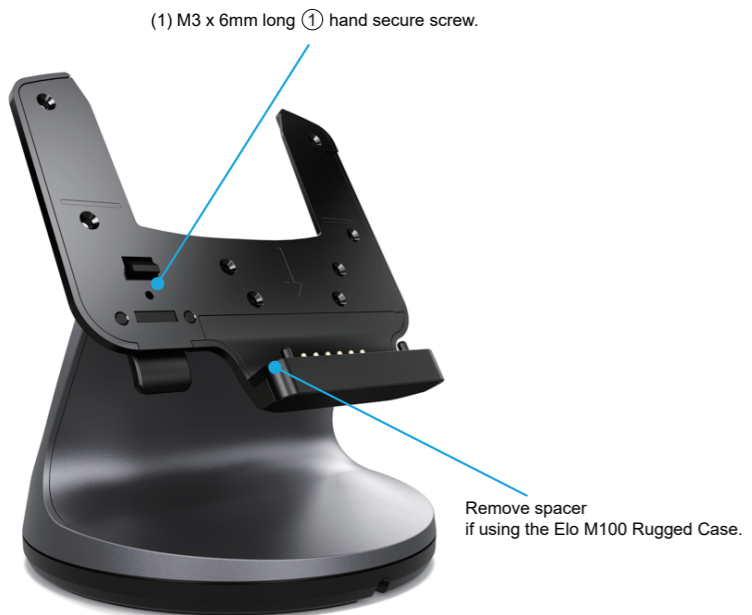
Quick Installation Guide

Elo Pay M100

Rotating POS Dock with Pogo-Pins

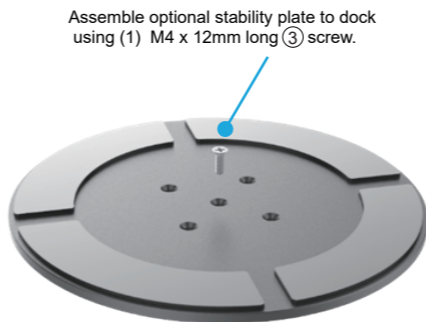
Revision A
P/N QIG600264

www.EloTouch.com



(1) M3 x 6mm long ① hand secure screw.

Remove spacer if using the Elo M100 Rugged Case.



Assemble optional stability plate to dock using (1) M4 x 12mm long ③ screw.



(1) M3 x 7mm long ② rotation stop screw.

Or use M4 threaded hole to mount dock to table / counter (stability plate not used in this case).



The POS Dock requires one the following brackets (sold separately):
- ELO-KIT-M100-KIT-BACK, E640293
- ELO-KIT-M100-ROTATE-STRAP, E120428
- ELO-KIT-M100-NECK-STRAP, E120022

Place back side of M100 bracket against dock fork.

To release M100, pull on dock latch while sliding tablet up off of dock.

Keeping M100 against the dock fork, align bottom edge of M100 to white bars and Elo logo on M100 centered to fork arrow. Slide M100 down until seated.



Elo Touch Solutions, Inc.
670N. McCarthy Blvd. Suite 100
Milpitas, CA 95035

EU Importer: Elo Touch Solutions, Inc.
EU Contact : Elo Touch Solutions
NV Winggepark5B/301
3110 Rotselaar, Belgium
Brand name : Elo

CAN ICES-3(B)/NMB-3(B)

This device complies with Part 15 of the FCC Rules.

Operation is subject to the following two conditions:

(1) This device may not cause harmful interference, and

(2) This device must accept any interference received including interference that may cause undesired operation.



This equipment has been tested and found to comply with the limits for a Class B digital device, pursuant to Part 15 of the FCC Rules. These limits are designed to provide reasonable protection against harmful interference in a residential installation. This equipment generates uses and can radiate radio frequency energy and, if not installed and used in accordance with the instructions, may cause harmful interference to radio communications. However, there is no guarantee that interference will not occur in a particular installation. If this equipment does cause harmful interference to radio or television reception, which can be determined by turning the equipment off and on, the user is encouraged to try to correct the interference by one of the following measures:

- Reorient or relocate the receiving antenna.
- Increase the separation between the equipment and receiver.
- Connect the equipment into an outlet on a circuit different from that to which the receiver is connected.
- Consult the dealer or an experienced radio/TV technician for help.

“Changes or modifications not expressly approved by the party responsible for compliance could void the user’s authority to operate the equipment” .

Contents:

- 1 x Rotating POS Dock with USB-C Port
- 1 x Base Plate
- 1 x Flat Head Screw: M3 x 6mm long ①
- 1 x Flat Head Screw: M4 x 12mm long ②
- 1 x Pan Head Screw: M3 x 7mm long ③

Rotating POS Dock with USB-C Port only used with ELO TOUCH SOLUTIONS, INC.

Model: EMC-M100 or EMC-M100C.

Learn more about Elo at EloTouch.com

America

Tel +1 408 597 8000
EloSales.NA@elotouch.com

Europe (EMEA)

Tel +32 16 930 136
EMEA.sales@elotouch.com

Asia Pacific

Tel +86 (21) 3329 1385
EloAsia@elotouch.com

The information in this document is subject to change without notice. Elo Touch Solutions, Inc. and its Affiliates (collectively “Elo”) makes no representations or warranties with respect to the contents herein, and specifically disclaims any implied warranties of merchantability or fitness for a particular purpose. Elo reserves the right to revise this publication and to make changes from time to time in the content hereof without obligation of Elo to notify any person of such revisions or changes.

No part of this publication may be reproduced, transmitted, transcribed, stored in a retrieval system, or translated into any language or computer language, in any form or by any means, including, but not limited to, electronic, magnetic, optical, chemical, manual, or otherwise without prior written permission of Elo Touch Solutions, Inc.

Elo and the Elo logo are either trademarks or registered trademarks of Elo Touch Solutions, Inc.

© 2024 Elo Touch Solutions, Inc. All rights reserved.



QIG600273



Quick Installation Guide

Elo Pay M100

Rotating POS Dock with USB-C Port

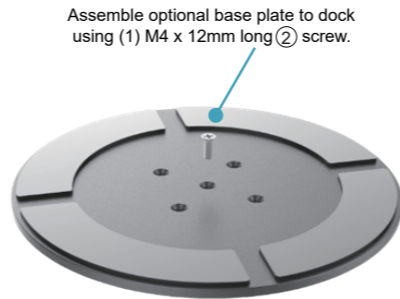
Revision A
P/N QIG600273

www.EloTouch.com

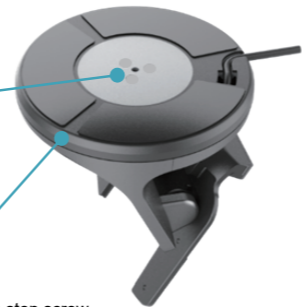


(1) M3 x 6mm long ① hand secure screw.

Remove spacer if using the Elo Pay M100 Rugged Case , E119632 (sold separately).



Assemble optional base plate to dock using (1) M4 x 12mm long ② screw.



Or use M4 threaded hole to mount dock to table / counter (base plate not used in this case).

(1) M3 x 7mm long ③ rotation stop screw.



POS Dock requires one the following brackets (sold separately):
- ELO-KIT-M100-KIT-BACK, E640293
- ELO-KIT-M100-ROTATE-STRAP, E120428
- ELO-KIT-M100-NECK-STRAP, E120022

Place back side of Elo Pay M100 bracket against dock fork.



To release Elo Pay M100, pull on dock latch while sliding tablet up off of dock.

Keeping Elo Pay M100 against the dock fork, align bottom edge of Elo Pay M100 to white bars and Elo logo on Elo Pay M100 centered to fork arrow. Slide Elo Pay M100 down until seated.

