

W22IE3S-PTA3

21.5" Intel® Celeron® N6211 PT Series HMI Touch Panel PC



KEY FEATURES

- Low power consumption with Intel® Celeron® Elkhart Lake N6211 processor
- Fanless cooling system and ultra-low power consumption
- Front IP65 for protection against water and dust
- A true flat, easy-to-clean front surface with edge-to-edge design



SPECIFICATIONS

| Display | |
|------------------------------|---|
| Resolution | 1920x1080 |
| Contrast Ratio | 3000:1 |
| View Angles | 89,89,89,89 |
| Touch / Glass | Projected Capacitive Multi Touch Screen |
| Size | 21.5 inches |
| Panel Brightness | 250.0 nits |
| Active Area | 476.64x268.11 mm |
| System Specification | |
| WLAN | Support (Optional) |
| Processor | Intel® Celeron® N6211 (up to 3.0GHz) Intel® Celeron® N6210 (up to 2.6GHz) (Optional) |
| Storage | 1 x M.2 2242 B-key SSD 128GB M.2 2242 B-key SSD up to 512GB (Optional) 1 x SATA III for 2.5" SSD/HDD up to 1TB (Optional) |
| Security | TPM 2.0 |
| BT | Support (Optional) |
| Memory | 1 x SO-DIMM, DDR4 3200 MHz, 4GB 8GB (Optional) 16GB (Optional) |
| Ethernet controller | 2 x Intel® Ethernet Controller |
| Operating System | Windows 11 IoT Enterprise (64 bit) (Optional) Windows 11 Pro 64 bit (Optional) Windows 10 IoT Enterprise (64 bit) (Optional) Linux Ubuntu 22.04 (Optional) |
| Environment | |
| Operating Humidity | 10% to 90% RH, Non-Condensing |
| Storage Temperature | -10°C to 60°C |
| Operating Temperature | 0°C to 50°C |
| IP rating | Front IP65 |
| Certification | |
| Certification | CE, FCC |
| Mechanical | |
| Dimension | 530 x 322 x 56 mm |
| Enclosure | Plastic |
| Mounting | VESA Mount |
| Cooling System | Fanless Design |
| IO Ports | |
| USB Port | 2 x USB3.2 Gen1x1 (Type-A) |
| Video | 1 x HDMI 2.0 (Optional) |
| LAN | 2 x RJ45-10/100/1000 Mbps |
| Serial Port | 1 x RS232(Default)/422/485 |
| Audio | 2 x Speaker (Optional) |
| Indicator | Power LED Indicator |
| Power | |

Power Rating 12V DC

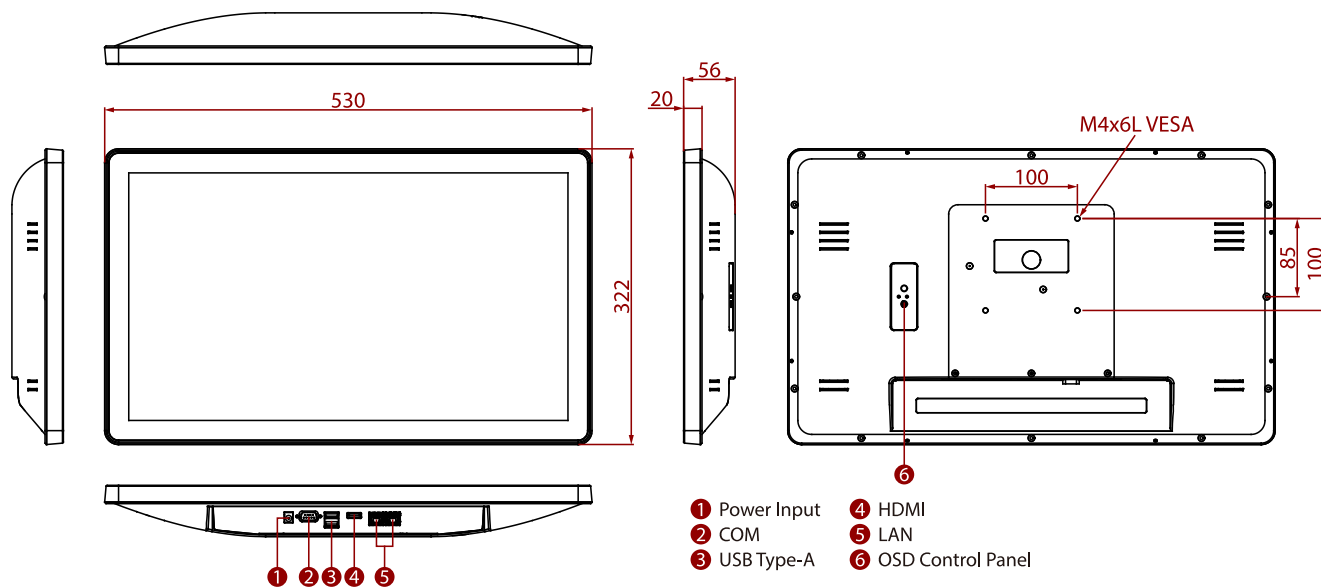
Control

Button 1 x Power Button
1 x Reset Button

Accessory

Accessory Quick Start Guide(Hardcopy)
AC Adapter 12V/50W
Power Cord

DIMENSIONS UNIT:MM



NOTE

- 1.This is a simplified drawing and some components are not marked in detail.
- 2.Please contact our sales representative if you need further product information.
- 3.All specifications are subject to change without prior notice.
- 4.The product shown in this datasheet is a standard model.For diagrams that contain customized or optional I/ O, please contact the Winmate Sales Team for more information.