

The easy way to perfect results.



Introducing the new generation of built-in appliances.

Edition 2015



www.bosch-home.com.au



BOSCH

Invented for life

Technologies that not only improve our life today, but tomorrow as well.



Green Technology inside

This signet denotes products that focus on energy and water efficiency while achieving top performance based on Bosch technologies – and, like all Bosch products, have been manufactured with the aim of minimising their impact on the environment. The signet stands for the resource-efficiency of our products – quite simply, for their ‘Green Technology’.



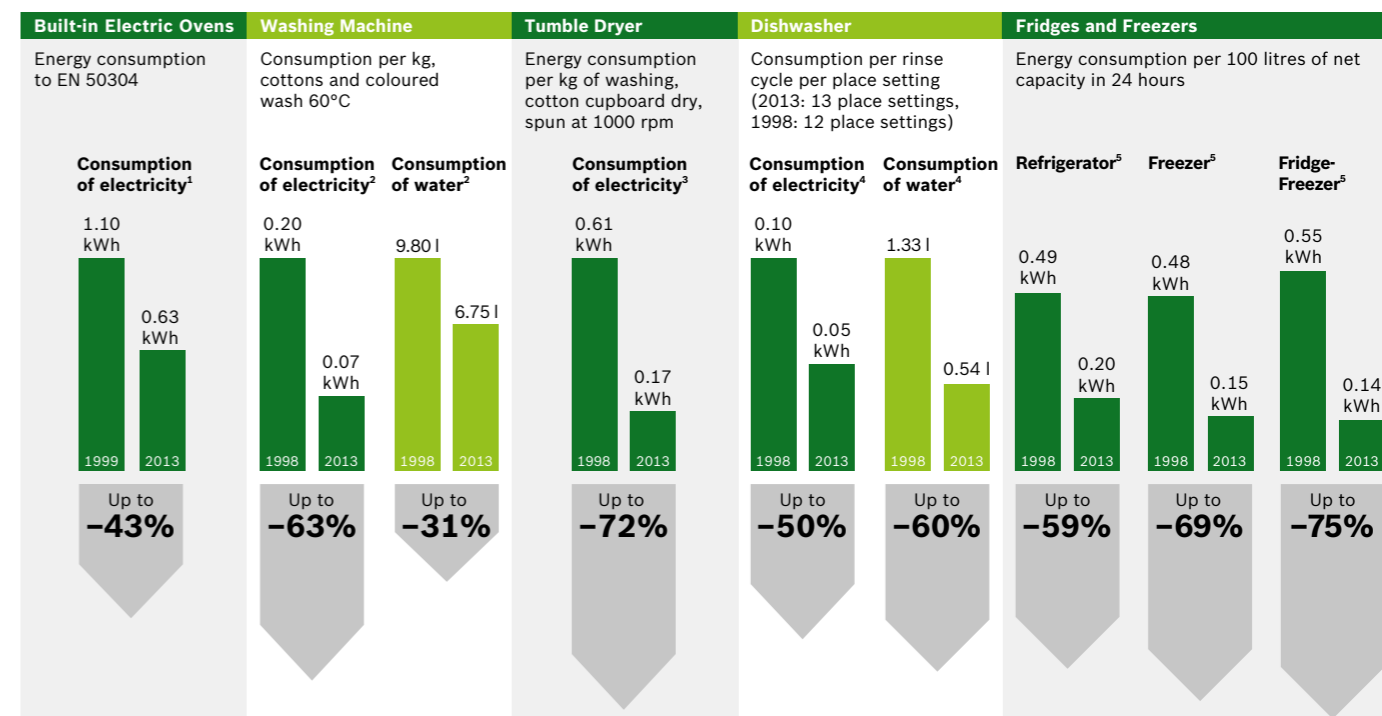
Scan QR code for more information

Great journeys start with a single step

Resource efficiency is a subject that affects us all. Continuing climate change caused by the damaged ozone layer is the result of carbon dioxide (CO²) emissions from the burning of fossil fuels. These emissions are increasing on a daily basis due to the vast amount of resources we consume. To minimise our consumption, we need to slow down the rate of growth by making more efficient use of our resources. At Bosch, we design some of the most efficient home appliances in the world. For example, our ActiveWater™ dishwashers are amongst the most resource-efficient in the world, generating the cleaning power of over 4000 litres from as little as 12.3 litres per wash. Selected induction cooktops feature an 'Energy Consumption Display' and selected rangehoods, Series 8 ovens and compact ovens now include the energy-efficient EcoSilence Drive® brushless motor.

Buying Bosch resource-efficient appliances means you can reduce your water and energy consumption without compromising on performance. At Bosch, we believe you should never have to sacrifice excellence to embrace the planet we live on.

Improvements in energy and water consumption over the past 15 years with the super-efficient Bosch home appliances



¹ Comparison between the consumption values as determined based on the standard program for the Bosch electric oven HBG38B722D/HBG38B752D/HBG38B762D from 2013 and the similarly determined consumption values for a comparable Bosch appliance in 1999.

² Comparison between the consumption values as determined based on the standard program cottons and coloured wash 60°C at full load for the Bosch washing machine WAY2874W2 from 2013 and the similarly determined consumption values for a comparable Bosch appliance in 1998.

³ Comparison between the consumption values as determined based on the standard program cotton cupboard dry for the Bosch tumble dryer WTY887W1 from 2013 and the similarly determined consumption values for a comparable Bosch appliance in 1998.

⁴ Comparison between the consumption values as determined due to EU-Regulation 1059/2010 (directive 2010/30/EU) based on the standard program Eco 50° for the Bosch dishwasher SMS69U88EU/ SMI69U85EU from 2013 and the similarly determined consumption values for a comparable Bosch appliance in 1998.

⁵ Comparison between the consumption values as determined due to EU-Regulation 1060/2010 (directive 2010/30/EU) based on the standard program for Bosch refrigerator KIL18A75, Bosch freezer GSN58AW40 and Bosch fridge-freezer KGN39XI40 from 2013 and the similarly determined consumption values for comparable Bosch appliances in 1998.

Contents.

Green Technology inside	2-3
Ovens and compact appliances	10-47
Series 8 ovens	11-27
Series 8 compact appliances	29-41
Series 6 ovens	42-47
Freestanding cookers	48-49
Electric cooktops	50-61
FlexInduction® cooktops	54-56
CombiInduction cooktops	57
Induction cooktops	58-59
Ceramic cooktops	60-61
Gas cooktops	62-67
Rangehoods	68-79
Wall-mounted rangehoods	74-75
Integrated rangehoods	76-77
Retractable slideout rangehoods	78-79
Reference guides	80-91
Accessories	92-93
Technical diagrams	94-101
Customer service	102



For more information
and recipes, visit
cookingwithbosch.com

When every single Bosch appliance makes your life a little easier... that's Bosch in every detail.

We believe the perfect built-in appliance must be designed for one thing above all else; to make your time spent in the kitchen as enjoyable as possible. Every detail of every appliance has been carefully designed, produced and tested by our engineers to fully satisfy the highest standards in quality, performance and convenience. The result is cutting-edge technology, timeless design and remarkable ease of use, reducing the workload for you and consistently delivering perfect results.

Proven quality

We devote the same high level of care, passion and dedication to all areas of our work – from the first design draft right through to customer service. It's the same Bosch quality that you have been able to rely on for more than 128 years.

Bosch appliances offer premium quality, advanced technology, ease of operation and outstanding German made and engineered technology. These attributes have earned us many national and international accolades, such as the red dot Design Award, the iF product design award and other endorsements, year after year.

Top performance

What drives us every day is our desire to improve. We strive to make the best even better, by developing functional, durable and energy-efficient innovations that surpass all expectations. For example, the new PerfectBake™ sensor in our Series 8 ovens – perfectly baked cookies and cakes at the touch of a button.

Maximum convenience

Bosch is dedicated to making your life easier. Our innovative built-in appliances are easy to use, while sophisticated features deliver the best results every time, saving you time and effort. That's what our new Series 8 stands for; less work and more cooking pleasure.



reddot
International
Design Award



iF
product
design
award

For every wish...

To make your selection process easier, we have divided our products into four categories. Each series has a characteristic to fulfil a specific need and allows you to discover which Bosch appliances are right for you.

Series | 8

To you, perfection is paramount. It manifests in form, function and a surprising ease of use. This high expectation can be perceived throughout your home, where everything is of high quality and thought through to the last detail. Of course, also your home appliances excel with excellent quality results and stand out with first-class design:

These are the home appliances of Series 8.

Series | 4

As a family-oriented person you have a real talent for organisation. No matter how chaotic things get, you stay on top of the situation and keep things in order. Therefore, you look for home appliances that are easy to operate and that fully support your lifestyle. You require a brand that truly understands your needs:

These are the home appliances of Series 4.

Series | 6

You lead an active, sustainable lifestyle. You care about real benefits instead of technical gadgets. You opt for a timeless design and not for temporary trends. You trust the experience and expertise of a brand with a long tradition when you buy home appliances:

These are the home appliances of Series 6.

Series | 2

You have lots of hobbies and like to spend your free time doing things you enjoy; but housework is not one of them. Home appliances to you are objects to use and not to think about. They need to be dependable workhorses that deliver efficient value for the money:

These are the home appliances of Series 2.



Series 8 | Design

Design à la carte. Technology à la Bosch.

The new Series 8 ovens not only deliver superior performance with amazing convenience, they are also beautifully crafted with sophisticated design that extends to the smallest detail. The panel heights and display designs for all Series 8 products are consistent across the entire range, so you can match your oven with other Series 8 appliances with complete design harmony. The elegant stainless steel strip at the base of each Series 8 60cm oven creates a uniform look when installed side-by-side with any compact appliance and complementing warming drawer.



Series 8 Design | Intuitive control ring

**We didn't reinvent the wheel.
We taught it how to cook.**

Everything you need at hand: our new, intuitive control ring makes cooking easier than ever. With just a small turn of the stainless steel ring, you can activate special cooking programs, adjust temperature settings and navigate through the entire menu settings with ease.

Series | **8**

World Exclusive



New!

Series 8 Design | Control panel

Put a new spin on your cooking.

With the new Bosch Series 8 control panel, cooking just became a lot easier. The intuitive control ring gives you full control of your oven. You can activate special cooking programs, adjust temperature and cooking time with ease. All you have to do is sit back, relax and admire the timeless design of the Series 8.

TFT Touch Graphic Display



The iconic Control Ring and clear TFT screen display, combined with the direct select TouchControl buttons, make operating the Series 8 ovens simpler than ever before. Clear, vivid food images and helpful prompts guide you through each step as you navigate through the various menu options, giving you total flexibility and control of cooking functions.

TFT Touch Symbol Display



The intuitive Control Ring and clear TFT display with DirectSelect icons make it easy to operate your oven. Shortcuts to the two most commonly used heating functions, helpful icons and clear descriptions inside the control ring, provide all the information you need to keep track of your cooking.

New!

Series | 8

Series 8 | Automatic functions

The first recipe collection in the form of an oven.



Bosch Assist

You could easily search through cookbooks and family recipes without ever finding the exact temperature or cooking time for that favourite dish. Thanks to Bosch Assist, you don't have to. The advanced sensor technology found in PerfectRoast and PerfectBake™ – combined with the functionality of automatic programs as we know them today – offers an extensive menu of food categories that help create your perfect meal. Simply select the desired dish, press start and your oven automatically sets the ideal heating mode, temperature and length of time, monitoring and modifying the cooking as required for the best results. Of course, you can also select these settings yourself every bit as easily.



PerfectBake™

Baking has never been easier, thanks to the unique PerfectBake™ sensor. This function constantly measures the precise moisture level of your dishes and automatically adjusts the entire baking process, which means you'll never have to set the heating mode, length of time or temperature ever again. Simply choose the type of dish, such as 'Cake in Tin', press start and let your Bosch oven bake your cake to perfection*.



Scan QR code for more information on PerfectBake™



PerfectRoast

Achieve the perfect roast lamb, Christmas turkey, stuffed meats and fish. The PerfectRoast meat probe features three sensitive measuring points and uses the lowest temperature reading to determine the core temperature before calculating the residual cooking time. The results are simply perfect. Used manually or with Bosch Assist, you can modify the suggested core temperature (within a recommended range) and combine with microwave and steam cooking functions.



Scan QR code for more information on PerfectRoast



Series 8 | Convenience and safety

Fits every kitchen and every need.

We all have different needs in the kitchen, which is why we designed the new Series 8 ovens with a variety of features. Whether it's safety, convenience or capacity, Bosch Series 8 offers the right solution.



Telescopic rail system

The Bosch telescopic rails are fully extendable and are ideal for loading and removing trays with ease. Whether you choose a single or double rail option, all shelves are pyrolytic-safe and compatible for microwave and steam cooking. Trays are also interchangeable between full-sized and compact ovens, excluding the pure steam compact oven.

Lighting

Depending on the model, Series 8 ovens offer our classic, halogen lighting, LED ceiling light or the new multi-level LED lighting.



Energy efficient LED lighting offers vibrant illumination and longevity. The multi-level LED lighting offers illumination on each level, which is exceptionally convenient when baking on multiple levels.



Integrated halogen lighting ensures the interior cavity is brightly lit. More efficient than standard lights, they are durable and are designed to last longer.



Extra large cavity

Bosch Series 8 ovens offer up to 71 usable litres of cooking space and larger baking trays. The increased cavity creates more uniform baking results due to the improved heat circulation between the racks.



Precise temperature control

Electronic thermostats monitor the oven's cavity temperature to maintain temperature consistency during the cooking process.



Automatic switch-off

If left unattended the oven will switch-off after a period of time.



Child lock

Bosch Series 8 ovens are equipped with a child lock that prevents unwanted changes to settings. The control panel is locked so the appliance can only be switched off using the On/Off button.

Optional door lock function on selected models.



CoolTouch doors

For added safety, selected Bosch single ovens are fitted with quadruple-glazed CoolTouch doors. The reflective inner glass is designed to keep the heat in, while providing a safe-to-touch door on the outside.



Residual heat indicator

When the appliance is switched off, the display ring shows the residual heat in the cooking compartment. As the residual heat cools down, the display ring becomes darker then disappears.



Cabinetry cooling fan

The fan circulates cool air around the oven to keep the appliance and the surrounding cabinetry free from the hot air vented by the oven.



SoftMove

Thanks to a special damping mechanism, the oven door opens and closes softer and quieter than before. This convenient feature not only offers a premium finish, it also protects the oven and door during the life of the oven.

Series | 8

Ovens | Cleaning functions

At last, someone in the house who enjoys cleaning up.

Anyone who has ever cleaned an oven by hand knows it can be exhausting and time-consuming. Thanks to the new EcoClean Direct and pyrolytic self-cleaning function, manual cleaning is a thing of the past. At the touch of a button, the self-cleaning pyrolytic program reduces residual food to ash, leaving your oven sparkling clean.

New



EcoClean Direct

The self-cleaning surfaces in the oven are directly coated with a patented, microfine ceramic material. This coating absorbs and breaks down grease and residue during baking and roasting. Before activating the cleaning function, all you need to do is wipe down the base of the oven and the inside of the glass door. For added convenience, the oven also prompts when it needs to run a cleaning cycle. Of course, you can also activate the cleaning program at any time.*



Scan QR code for more information on EcoClean Direct



Pyrolytic cleaning

During the pyrolytic cleaning function, the oven heats up to 480°C to burn off grease and food residue. What's left is a small residual amount of ash in the base of the oven that can be easily wiped clean. There are three different cleaning programs to choose from, depending on the degree of residue that has accumulated. The pyrolytic-safe enamelled trays, shelf racking* and telescopic rails, mean you can now leave them in the oven during the cleaning program too.



Scan QR code for more information on Pyrolytic self-cleaning



*Please remove all accessories when activating the specific EcoClean Direct program. #Metal racks may show slight discolouration after prolonged use of the pyrolytic function. To prevent this you may choose to remove the wire racks during the pyrolytic cycle. Features may vary depending on models. Please check individual product specifications.

Ovens | Heating functions

Because there's hot, and then there's hot.

Perfect baking and roasting not only requires the right temperature, but also the appropriate heating function, too. From 4D HotAir to HotAir Eco, Bosch ovens offer heating functions that deliver everything from haute cuisine to everyday feasts.



HotAir Eco

Our research shows that cooking on a single level is the most common form of cooking in an oven. HotAir Eco uses less energy by using a single tray. This energy efficient function distributes less heat into the oven and uses residual heat to maintain the set temperature.



Top and bottom heat*

Uses both the upper and lower heating elements. Heat travels to the centre of the oven, which is the best position to obtain the selected temperature. Suitable for traditional baking and roasting, and offers best results for cakes with moist toppings.

New



Top and bottom heat Eco

In addition to the top and bottom heat function, selected Series 8 ovens feature a new eco-friendly mode, which supports cooking on a single shelf for energy efficient cooking. Prepare perfect sponges, pound cakes, delicate pastries, and bread rolls while saving valuable energy.



Bottom heating

For cooking in a bain-marie and for the final baking stage. The heat is emitted from the lower heating element.

New



Intensive heat

Combines the top element with a more powerful bottom heating element that is perfect for crispy bases and baking in tins.



Hot air grilling*

Achieve rotisserie-style cooking for meat and poultry. The grill and fan alternate, which produces even and crisp cooking results.



Grill, large area

For grilling flat items, such as steaks and sausages, for making toast, and for cooking a gratin.



Grill, small area

For grilling small amounts of steaks or sausages, for making toast or where grilling a smaller surface area is required.



Pizza setting

Create crispy pizzas or give any dish that extra heat that's needed from underneath by using a combination of heating elements.



New

Slow cooking

For gentle and slow cooking of seared, tender pieces of meat in ovenware without a lid. The heat is emitted evenly from the top and bottom at low temperatures.

New



Keeping warm*

A new feature that keeps cooked food warm.

New



Preheat ovenware

A new feature that is useful for preheating ovenware and even dinnerware.

New



Drying

A new function for drying fruits, vegetables and herbs with maximum flavour. This function can also be used for drying out the oven cavity after the added steam function has been used.



Sabbath mode

Set a maximum timer of up to 74 hours using the Sabbath function. You can keep the food in the cooking compartment warm without having to switch the oven on or off.



Rapid heating

With rapid heating, you can shorten the heat-up time for selected heating functions, including 4D HotAir and Top and bottom heating.

New



4D HotAir*

Thanks to 4D HotAir, you can place your food on any shelf from level one to four, and the results will be consistently perfect. The rotating fan alternates its direction during cooking to distribute heat evenly on every level. And for reliable results 'top to bottom', you can also bake and roast on up to four different levels simultaneously.^

*Possible to use added steam for this type of heating (operation only possible when the water tank is full). ^To cook on all four levels simultaneously, four wire racks are required for best results. For up to three levels, all accessories are suitable, ie. universal tray or baking tray. Features may vary depending on models. Please check individual product specifications.

New!

Ovens | Added steam

Add a touch of steam.



Added steam function

Enhance your cooking results by adding a little bit of moisture from time to time, thanks to the added steam function. Whether you're reheating dishes, proving dough, baking or roasting, you can set the oven to automatically add bursts of steam, or you can add steam manually to regulate the intensity. Create succulent roasts and perfectly browned bread crusts with ease. Added steam works with: 4D HotAir, Hot air grilling, Top and bottom heating and Keep warm.



Reheating*

For plated meals and baked items. Cooked food is gently reheated. The steam ensures the food does not dry out.



Dough proving*

For yeast dough and sourdough. Dough will rise considerably quicker than at room temperature. The surface of the dough does not dry out.

Series | 8



Series 8 | HRG6767S1A
60cm Pyrolytic Oven with Added Steam

Heating functions

17 functions
Added steam

Capacity

71 usable litres (net)
5 shelf positions

Convenience

Bosch Assist
PerfectRoast meat probe
PerfectBake™ sensor
2-level telescopic rails
Multi-level LED lighting
Temperature display
Automatic temperature proposal
SoftMove door

Cleaning

Pyrolytic cleaning with compatible trays, telescopic rails and shelf racking[^]
Drying function

Safety

Residual heat indicator
Quadruple-glazed CoolTouch door
Child lock (controls and door)

Dimensions (HxWxD)

595 x 595 x 548mm

For complete specifications, refer to product reference guide, page 80.

*Possible to use added steam for this type of heating (operation only possible when the water tank is full).

[^]Please remove the water tank prior to running the pyrolytic cleaning cycle.

Ovens | Overview

Bosch ovens bring style and elegance to your kitchen.

Series | 8



**Series 8 | HBG6767S1A
60cm Pyrolytic Oven**

Heating functions
13 functions

Capacity
71 usable litres (net)
5 shelf positions

Convenience
Bosch Assist
PerfectRoast meat probe
PerfectBake™ sensor
2-level telescopic rails
Temperature display
Automatic temperature proposal
SoftMove door

Cleaning
Pyrolytic cleaning with compatible trays, telescopic rails and shelf racking

Safety
Residual heat indicator
Quadruple-glazed CoolTouch door
Child lock (controls and door)

Dimensions (HxWxD)
595 x 595 x 548mm

**Series 8 | HBG6753S1A
60cm Pyrolytic Oven**

Heating functions
13 functions

Capacity
71 usable litres (net)
5 shelf positions

Convenience
AutoPilot10: 10 automatic programs
2-level telescopic rails
Temperature display
Automatic temperature proposal
SoftMove door

Cleaning
Pyrolytic cleaning with compatible trays, telescopic rails and shelf racking

Safety
Residual heat indicator
Quadruple-glazed CoolTouch door
Child lock (controls and door)

Dimensions (HxWxD)
595 x 595 x 548mm

**Series 8 | HBG672BS1A
60cm Pyrolytic Oven**

Heating functions
8 functions

Capacity
71 usable litres (net)
5 shelf positions

Convenience
AutoPilot10: 10 automatic programs
Temperature display
Automatic temperature proposal
SoftMove door

Cleaning
Pyrolytic cleaning with compatible trays and shelf racking

Safety
Residual heat indicator
Quadruple-glazed CoolTouch door
Child lock (controls and door)

Dimensions (HxWxD)
595 x 595 x 548mm

**Series 8 | HBG655HS1A
60cm EcoClean Direct Oven**

Heating functions
13 functions

Capacity
71 usable litres (net)
5 shelf positions

Convenience
AutoPilot10: 10 automatic programs
2-level telescopic rails
Temperature display
Automatic temperature proposal
SoftMove door

Cleaning
EcoClean Direct: rear wall, side walls and ceiling

Safety
Residual heat indicator
Triple-glazed door
Child lock (controls and door)

Dimensions (HxWxD)
595 x 595 x 548mm

**Series 8 | HBG655HW1A
60cm EcoClean Direct Oven**

Heating functions
13 functions

Capacity
71 usable litres (net)
5 shelf positions

Convenience
AutoPilot10: 10 automatic programs
2-level telescopic rails
Temperature display
Automatic temperature proposal
SoftMove door

Cleaning
EcoClean Direct: rear wall, side walls and ceiling

Safety
Residual heat indicator
Triple-glazed door
Child lock (controls and door)

Dimensions (HxWxD)
595 x 595 x 548mm

**Series 8 | HBG633BS1A
60cm EcoClean Direct Oven**

Heating functions
10 functions

Capacity
71 usable litres (net)
5 shelf positions

Convenience
Temperature display
Automatic temperature proposal
SoftMove door

Cleaning
EcoClean Direct: rear wall

Safety
Residual heat indicator
Triple-glazed door
Child lock (controls and door)

Dimensions (HxWxD)
595 x 595 x 548mm

For complete specifications, refer to product reference guide, page 80-81. All descriptions and technical diagrams are intended as a guide only. For additional technical information, full dimensional and installation details, please refer to the instruction and installation manuals supplied with the appliance.

For complete specifications, refer to product reference guide, page 80-81. All descriptions and technical diagrams are intended as a guide only. For additional technical information, full dimensional and installation details, please refer to the instruction and installation manuals supplied with the appliance.

Series 8 | Compact appliances

The new generation of compact appliances.

For lovers of cooking, Bosch compact appliances offer exceptional cutting-edge features and extra cooking functionality. Perfectly matched design panels within Series 8 allow you to mix and match these appliances with full-sized ovens for a seamless and coordinated look. With the intuitive display and Bosch control ring, operating functions are harmonised for easy use.



Combination steam and pure steam ovens

Cooking with steam helps retain vitamins and minerals in fresh foods as well as maintain original colour, shape and consistency.



Combination microwave ovens

Add speed to your traditional cooking process without compromising on taste.



Coffee machine

Whether your preference is a skinny latte, a double shot cappuccino or a delicious hot chocolate, our coffee machine brings café-style drinks to your home.



Warming drawers

Ensure food stays at just the right serving temperature. You can also defrost, prove dough or slow cook.





Compact appliances | Steamers

Steams so gently, even vitamins stay for dinner.

There is no healthier or tastier way to prepare food than in a Series 8 steamer or combination steam oven. When gently cooked in steam, food retains its vitamins and aroma while bringing out the full and natural flavour. Vegetables stay fresh and crisp, while poultry and fish remain juicy and tender. With steam, you can even cook without adding oil or extra seasoning. Thanks to the integrated water tank, Bosch steamers don't require an external water connection, offering greater flexibility in choosing their position in your kitchen.

Combination Steam Oven: The best of both worlds

With the Bosch Series 8 combination steam oven, you can bake, steam or both. Combine the benefits of pure steam cooking with functions of a conventional oven and discover the results of giving your roasts and home-made bread a crispy finish. The premium combination steam oven also comes with Bosch Assist, the PerfectBake™ sensor and PerfectRoast meat probe for perfect cooking and baking results.

Mineral content



Menu cooking

With the Series 8 steamer, you can prepare an entire set menu using up to three levels at once. Salmon with asparagus and rosemary potatoes? Cook them all together and everything will turn out perfectly. Need to prepare dessert, too? No problem. Thanks to the moisture in the oven, there's no intermingling of flavours – each dish retains its own authentic flavour.



Reheating

At 90-95°C, food is gradually reheated to taste as if it was freshly cooked.



Dough proving

For yeast dough and sourdough. Dough will rise considerably quicker than at room temperature. The surface of the dough does not dry out.



Compact appliances | Combination microwave ovens

Some gourmets shouldn't be kept waiting.

Sometimes, you just can't get food to the table fast enough. Our new Series 8 combination microwave ovens help speed up the cooking process and give you perfect control over your menu and your schedule. Whether you're heating baby food, pre-cooked meals or frozen foods, you'll produce outstanding results quickly and without compromising on taste.

Power levels and convenient features

Our Series 8 combination microwave ovens allow you to heat, defrost, roast or grill anything, thanks to 1000 watts and five power levels. The AutoPilot program helps achieve the best possible results with very little effort. Just insert your roast, enter its weight and select the desired program from the menu.

With Bosch Assist on our premium model, press start and the oven takes care of the rest, monitoring and modifying the cooking method as required for best results. Bosch Assist works in combination with the unique PerfectBake™ sensor and PerfectRoast meat probe for perfect cooking and baking results.





Compact appliances | Built-in coffee machine

Now your favourite café is open 24/7.

Espresso, cappuccino or latte macchiato? With the Series 8 built-in coffee machine, you can treat yourself and your guests to your favourite beverage at the touch of a button. Bosch Barista technology guarantees a full-bodied aroma and perfect crema for coffees as delicious as those brewed in your favourite café.



SensoFlow system for a perfect aroma

The optimal brewing temperature for an espresso is between 90°C and 95°C. If the temperature is any higher or lower, the flavour of the beans is only partially released or the coffee is bitter. Our smart SensoFlow system heats the water to just the right temperature, for a full-bodied espresso aroma from the first to the last cup.



A choice of coffee at the touch of a button

Want the perfect espresso, cappuccino or latte macchiato? With the OneTouch function, it'll be ready in an instant. Innovative technology regulates the release of coffee, hot milk and foam to deliver the beverage of your choice at the touch of a button.



Automatic cleaning of the milk system

Now you can clean your coffee maker as easily as you prepare your morning pick-me-up. Each time you make a coffee drink with milk, the milk system is automatically rinsed out with a blast of steam. The coffee machine takes total charge of the milk system's daily maintenance, so that you can concentrate on enjoying your cappuccino or latte macchiato instead of cleaning.

Series | 8

Compact appliances | Warming drawers

Sometimes our best ideas end up in a drawer.

Our Series 8 warming drawers can do much more than just keep food and plates warm; they're also perfect for slow-cooking meat, defrosting frozen foods and proving dough.

Warming drawers

The new warming drawers from Bosch can be installed either separately or in combination with Series 8 ovens, compact ovens and built-in automatic coffee machine. The practical 'push and pull' technology ensures they are always easy to open, even when you have both hands full. They come in two sizes: 140mm high with 20 usable litres (net) and 290mm high with 52 usable litres (net).



Compact appliances | Overview

Designed to create perfect symmetry in your kitchen.

Series | 8


Series 8 | CSG656RS1A
60cm Combination Steam Oven
Heating functions

18 heating functions
Multi level pure steaming
Conventional cooking combined with steam cooking for tender and crispy results

Capacity

47 usable litres (net)
3 shelf positions
1 litre removable water tank with empty water tank indicator

Convenience

Bosch Assist
PerfectBake™ sensor
PerfectRoast Meat Probe
1-level telescopic rails
Temperature display
Automatic temperature proposal
SoftMove door
Stainless steel cavity

Cleaning

EcoClean Direct: rear wall, side walls and ceiling
Drying function
Descaling program

Safety

Residual heat indicator
Triple-glazed door
Child lock

Dimensions (HxWxD)

455 x 595 x 548mm


Series 8 | CDG634BS1
60cm Pure Steam Oven
Heating functions

4 heating functions
Multi level pure steaming

Capacity

38 usable litres (net)
4 shelf positions
1.3 litre removable water tank with empty water tank indicator

Convenience

AutoPilot20 - 20 automatic programs
Temperature display
Automatic temperature proposal
SoftMove door

Cleaning

Descaling program

Safety

Residual heat indicator
Triple-glazed door
Child lock

Dimensions (HxWxD)

455 x 595 x 548mm


Series 8 | CMG656RS1A
60cm Combination Microwave Oven
Heating functions

14 heating functions
Conventional cooking combined with microwave
5 inverter microwave power levels up to 1000W

Capacity

45 usable litres (net)
3 shelf positions

Convenience

Bosch Assist
PerfectBake™ sensor
PerfectRoast Meat Probe
1-level telescopic rails
Temperature display
Automatic temperature proposal
SoftMove door

Cleaning

EcoClean Direct: rear wall, side walls and ceiling

Safety

Residual heat indicator
Quadruple-glazed CoolTouch door
Child lock (controls and door)

Dimensions (HxWxD)

455 x 595 x 548mm


Series 8 | CMG633BS1B
60cm Combination Microwave Oven
Heating functions

8 heating functions
Conventional cooking combined with microwave
5 inverter microwave power levels up to 1000W

Capacity

45 usable litres (net)
3 shelf positions

Convenience

AutoPilot14 - 14 automatic programs
Temperature display
Automatic temperature proposal
SoftMove door

Safety

Residual heat indicator
Triple-glazed door
Child lock (controls and door)

Dimensions (HxWxD)

455 x 595 x 548mm


Series 8 | CTL63GES1
60cm Built-in Coffee Machine
Flavour

SensoFlow System: Heating system for maximum and constant brewing temperature
AromaPro Concept: Optimal aroma extraction

Convenience

TFT Touch Graphic Display with interactive menu
MyCoffee: Save 8 favourite beverages with individual names and adjustable mixing ratio of milk and espresso

Performance

SilentCeram Drive: Quiet, premium grinder made from non-wearing ceramic
CoffeeSensor Pro: Automatically adjusts grinding unit to bean variety

Hygiene

Removable brewing unit: Easy and hygienic cleaning under running water
AutoMilk Clean: Automatically steam cleans the milk system after every beverage

Dimensions (HxWxD)

455 x 594 x 375mm


Series 8 | BID630NS1A / BIC630NS1A
60cm Warming Drawers
Heating functions

40°C - 80°C temperature control

Capacity

BID630NS1A: 52 usable litres (net)
BIC630NS1A: 20 usable litres (net)

Convenience

Fully extendable telescopic drawer
Ceramic-glass base element
Suitable for: plate warming, keep warm, slow cooking, defrost and proving dough

Dimensions (HxWxD)

BID630NS1A: 290 x 595 x 548mm
BIC630NS1A: 140 x 595 x 548mm

Series 8 | Built-in ovens and compact appliances

Design inspiration gallery.

Side-by-side

This is a great combination for people who need double oven capacity, and require the quality results of convection cooking. Choose the 60cm built-in oven with added steam for increased functionality and cooking flexibility.



Models featured: HRG6767S1A, HBG672BS1A



Models featured: HBG6767S1A, CSG656RS1A, BIC630MS1A

Single column

Maximum functionality in a limited space. The combination microwave oven adds speed and versatility as well as the ability to cook in two ovens simultaneously.



Models featured: CMG633BS1B, HBG672BS1A, BID630NS1A

Cube installation

This concise combination offers speed, steam and two convection ovens in a limited wall space.



Models featured: CDG634BS1, CMG633BS1B, HBG655HS1A x 2



Models featured: CSG656RS1A, HBG6767S1A, CTL636ES1, BIC630MS1A x 2

Horizontal cooking centre

Together the combination of these appliances give the home chef a versatile baking centre. The addition of warming drawers keeps the lines consistent and adds convenience to retain the quality of prepared food until guests arrive.



Models featured: HRG6767S1A, CMG656RS1A, CTL636ES1, BIC630MS1A x 2, HBG6767S1A

Large horizontal cooking centre

The ergonomic horizontal installation offers a strong linear baking zone that takes full advantage of an expansive kitchen wall. All the oven technologies are at a comfortable safe height for most cooks. It is great for large families cooking together.



Models featured: GSG656RS1A, BIC630MS1A, HBG6767S1A, GMG656RS1A, BIC630MS1A, HRG6767S1A

T-configuration cooking centre

A cook with a large family or who entertains often will find everything they need with this T-configuration.

This configuration allows two ovens to be accessed at the same time, plus the benefits of steam and microwave technologies.

The positioning of the control panels and clean uniform lines of each unit allows for different custom configurations with the same modern look.

Series | 6

Series 6 | Oven features

Real benefits meet classic design.

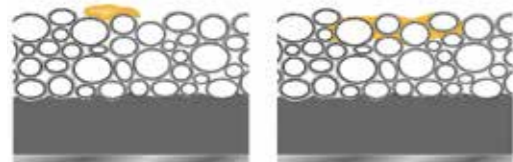
Series 6 feature models offer a broad range of extra benefits. The unique door design, glass-on-metal door construction, all-steel handles and retractable controls ensure these ovens stand apart.

Unique to Bosch



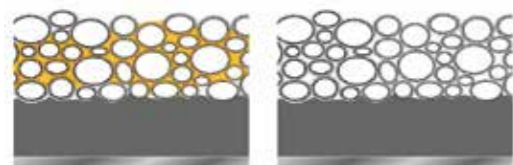
Oven cleaning made easy with EcoClean

The self-cleaning liners in the oven are coated with a patented, microfine ceramic material. This coating absorbs and breaks down grease and residue during baking and roasting. All you need to do is wipe down the base of the oven and the inside of the glass door before activating the cleaning function. Of course, you can also activate the cleaning program at any time.*



The microfine ceramic lining...

...soaks up the grease deposits...



...breaks them down and...

...regenerates when heated.



Precise temperature control

Electronic thermostats monitor the oven's cavity temperature to maintain temperature consistency during the cooking process.



Oven clock and timer with programming

The electronic clock displays time of day and also acts as a countdown timer with an audible beep to indicate the end of the timer function. Programming adds extra convenience. Simply select the end-time (when you arrive home, eg. 6.30pm), the length of cooking, along with the cooking function and temperature, and the oven will do the rest.

Oven cavity

Selected Bosch 60cm ovens have an interior capacity of 67 usable litres (net), with the 90cm model boasting 77 usable litres (net). This makes them capable of roasting even the largest cuts of meat.

Retractable controls

The retractable controls not only make the oven easy to operate but also maintain a clean line when the oven is not in use, making the oven control panel easy to clean.



Cabinetry cooling fan

The fan circulates cool air around the oven to keep the appliance and the surrounding cabinetry free from the hot air vented by the oven.

Enamel coating

The grey enamel interior coating is easy-to-clean and the lighter colour improves visibility during cooking.



Built-in single ovens

Our ovens combine high-quality stainless steel and glass for a sleek finish on all models. Multiple cooking and cleaning options offer convenience.



Double ovens


Bosch double ovens allow you to roast in the bottom oven cavity while grilling in the top oven for maximum cooking convenience.


Series | 6


Ovens | Heating functions


Choosing the right heating function.


Our modern ovens offer a range of heating functions designed to ensure superb end results – whatever you’re cooking.


- 


3D HotAir Plus
Cook on up to 3 levels simultaneously with even heat distribution.
- 


Fan forced hot air
A fan disperses heat evenly for cakes and pastries baked on two levels.
- 


Fan forced hot air eco
A fan disperses heat evenly for single level baking using less energy.
- 


Top and bottom heat
Uses both upper and lower heating elements.
- 


Fan assisted top/bottom heating
Uses both upper and lower heating elements while a fan disperses heat evenly.
- 


Bottom heating
Only the bottom element is used to generate heat.
- 

Hot air grilling
Ideal cooking method for meat and poultry where a rotisserie effect is desired.
- 

Grill – small area
Can select just the centre section of the grill.
- 

Grill – large area
Grill large quantities with precise temperature control.
- 

Pizza setting
For preparing pizza and dishes which require a lot of heat from underneath.
- 

Rapid heating
On top and bottom heating, 200°C can be reached in approximately six minutes.
- 

Defrost
Perfect for gentle defrosting of meat, poultry, bread and much more.



Series 6 | Double ovens overview

Series | 6



Series 6 | HBM43S550A
60cm EcoClean Double Oven

Heating functions
3 functions - top oven
5 functions - bottom oven

Capacity
35 usable litres (net) - top oven
67 usable litres (net) - bottom oven
2 shelf positions - top oven
5 shelf positions - bottom oven

Convenience
Electronic touch-control clock/timer with end-time programming
2-level telescopic rails - bottom oven

Cleaning
EcoClean System: Rear wall, side walls and ceiling liners – both top and bottom ovens

Safety
Triple-glazed door
Child lock

Dimensions (HxWxD)
888 x 595 x 550mm

Series 6 | HBM43B250A
60cm EcoClean Double Oven

Heating functions
2 functions - top oven
5 functions - bottom oven

Capacity
35 usable litres (net) - top oven
67 usable litres (net) - bottom oven
2 shelf positions - top oven
5 shelf positions - bottom oven

Convenience
Electronic touch-control clock/timer with end-time programming

Cleaning
EcoClean System: Rear wall, side walls and ceiling liners – both top and bottom ovens

Safety
Triple-glazed door
Child lock

Dimensions (HxWxD)
888 x 595 x 550mm

Series 6 ovens | Overview

Single ovens.

Series | 6



**Series 6 | HBA13B254A
60cm EcoClean Oven**

Heating functions

4 functions

Capacity

67 usable litres (net)

5 shelf positions

Convenience

Electronic touch-control clock/timer with end-time programming

Cleaning

EcoClean System: Rear wall and ceiling liners

Safety

Triple-glazed door

Child lock

Dimensions (HxWxD)

595 x 595 x 548mm



**Series 6 | HBA13B253A
60cm EcoClean Oven**

Heating functions

4 functions

Capacity

62 usable litres (net)

5 shelf positions

Convenience

Electronic touch-control clock/timer with end-time programming

Cleaning

EcoClean System: Rear wall liner

Safety

Triple-glazed door

Child lock

Dimensions (HxWxD)

595 x 595 x 515mm



**Series 6 | HVA541NS0
90cm Built-in Oven**

Heating functions

9 functions

Capacity

77 usable litres (net)

4 shelf positions

Convenience

Electronic clock/timer

1-level telescopic rails

Cleaning

Catalytic liners: Side and rear walls

Safety

Triple-glazed door

Dimensions (HxWxD)

478 x 896 x 568mm

Ovens | Freestanding cookers

Our beautiful, state-of-the-art freestanding cookers provide a focal point for any kitchen.



XXL oven cavity

With a capacity ranging from 67-112 litres, the Bosch range of freestanding cookers provides additional space for larger serving portions. The greater distance between the shelves optimises heat circulation for perfect cooking results.



Electronic clock and timer

All in one: minute minder, time of day display, start/stop button for setting the cooking time and the option for entering the time when the dish should be ready.



CoolTouch window

For added safety, selected Bosch freestanding cookers are fitted with quadruple-glazed CoolTouch doors. The reflective inner glass is designed to keep heat in, while providing a safe-to-touch door on the outside.

Available on freestanding induction cooker.



WipeProtection

A handy function that freezes the current settings and allows the surface to be wiped down in case of spills. This saves having to switch-off the cooktop or risk accidentally changing the settings. The control panel is reactivated at the touch of the function key or after 20 seconds.

Available on freestanding induction cooker.



Child lock

A button that inhibits all oven functions and prevents unwanted use.

Available on selected models only.



Cooking with gas

Gas provides fast and instant cooking versatility. The cooktops on the freestanding cookers feature Bosch flame failure technology fitted to each burner. The stainless steel cooktop surface is fitted with removable cast-iron pan supports for durable performance.



Induction cooktops

With electronic touch-controls, Bosch Induction cooktops combine great looks with intelligent function and design. The smooth glass cooktops surface is tough and durable as well as being practical and easy to clean.



Rapid heating

Save time at the press of a button by heating up to 30% faster. Once the desired temperature is reached, the selected heating method is automatically activated.

Available on selected models only.



Series | 6



Series 6 | HSB738356A
90cm Freestanding Gas/Catalytic Cooker

Oven

Heating functions

8 functions

Capacity

112 usable litres (net)
4 shelf positions

Convenience

Electronic touch-control clock/timer with end-time programming
1-level telescopic rails
Rotisserie kit
Height-adjustable legs

Cleaning

Catalytic liners: Rear wall and side walls

Safety

Triple-glazed door

Cooktop

Heating functions

6 gas burners: 1 x wok burner, 1 x high-speed burner, 2 x standard burners, 2 x economy burners,

Convenience

One-hand ignition via control knobs
Enamelled cast-iron pan supports

Safety

Flame failure for each burner stops gas flow if flames go out

Other

Suitable for NG or LPG

Dimensions (HxWxD)

845-880 x 898 x 600mm



Series 6 | HCE858451A
60cm Freestanding Induction/Pyrolytic Cooker

Oven

Heating functions

10 functions

AutoPilot40 - 40 preset cooking programs

Capacity

67 usable litres (net)
5 shelf positions

Convenience

Electronic touch-control clock/timer with end-time programming
SoftClose door
Height-adjustable legs

Cleaning

3-stage pyrolytic cleaning with pyrolytic compatible enamelled trays

Safety

Quadruple-glazed door
Child lock

Cooktop

Heating functions

4 induction cooking zones with automatic pot detection
17-stage power setting with PowerBoost for each zone

Convenience

Electronic +/- touch-controls and timer for each zone

Cleaning

WipeProtection pauses all settings for easy cleaning while cooking

Safety

2-stage residual heat indicators
Child lock

Dimensions (HxWxD)

900 x 600 x 600mm

Series | 4



Series 4 | HGV74W355A
60cm Freestanding Gas/EcoClean Cooker

Oven

Heating functions

8 functions

Capacity

67 usable litres (net)
5 shelf positions

Convenience

Electronic touch-control clock/timer with end-time programming
2-level telescopic rails
SoftClose door
Height-adjustable legs

Cleaning

EcoClean System: Rear wall, side walls and ceiling liners

Safety

Triple-glazed door
Child lock

Cooktop

Heating functions

4 gas burners: 1 x 12Mj/h wok burner, 2 x standard burners, 1 x economy burner

Convenience

One-hand ignition via control knobs
Enamelled cast-iron pan supports

Safety

Flame failure for each burner stops gas flow if flames go out

Other

Suitable for NG or LPG

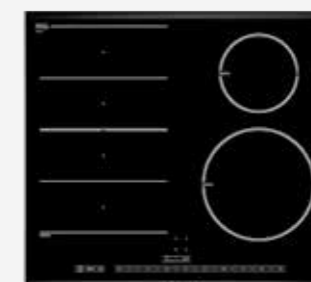
Dimensions (HxWxD)

900 x 600 x 600mm

Cooktops | Electric

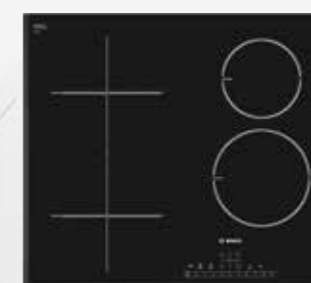
The world of Bosch electric cooktops.

There is a wide range of induction and ceramic cooktops to choose from. As you would expect from Bosch, all are made using high-quality materials, are easy to use and add versatility, style and elegance to any kitchen. To make your selection process easier, we have divided our products into four categories: Series 8, 6, 4 and 2.



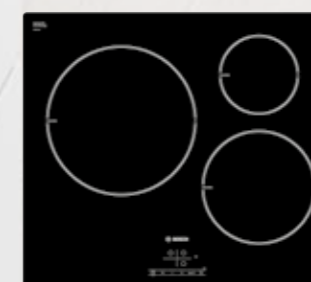
FlexInduction® cooktops

The ultimate Bosch Induction experience. Unique technology provides even heating across the entire FlexZone. Enjoy total flexibility and control with two standard round zones and the FlexZone.



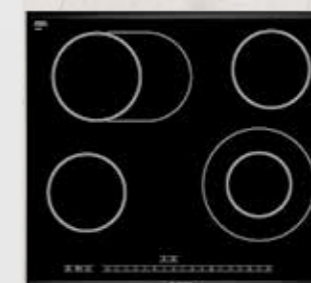
CombiInduction cooktops

Experience the magic of CombiZone – two cooking zones can be linked. The MoveMode function automatically switches from boil to simmer with a simple slide of the saucepan.



Induction cooktops

Quite simply, Bosch has a range of induction cooktops that are designed to make it easier and quicker for you to create the dishes you love.



Ceramic cooktops

With their electronic touch-controls and flexible cooking zones, Bosch ceramic cooktops combine great looks with smart function and design.

Electric cooktops | Induction highlights

The best cooking needs just one ingredient. Bosch Induction.

Modern cooking offers so many wonderful new tastes and textures, you need a cooktop that's flexible enough to keep up.

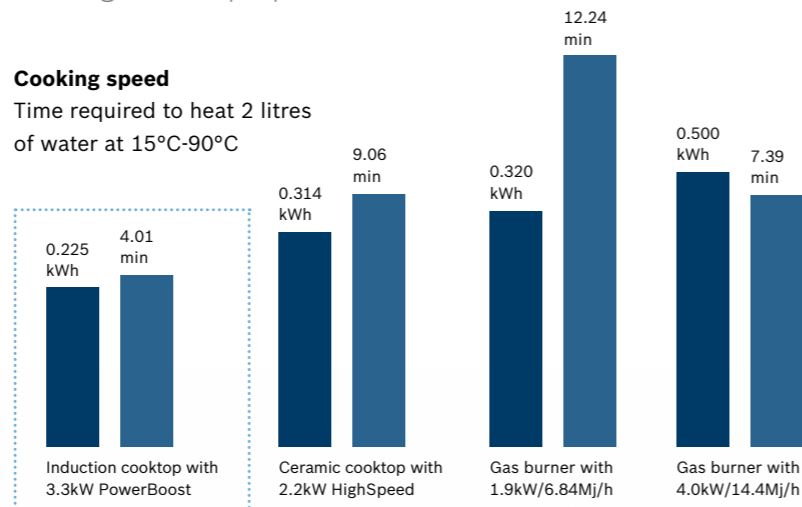
Induction cooktops offer the most efficient way of cooking at lower temperatures, ie. melting chocolate, etc.

Old pots, new technology

Most of your old pots will also work with induction if they have a magnetic base. All pots and pans with ferromagnetic bases are suitable for induction. So, if a fridge magnet sticks to your pot, you know it's induction-ready. In general, special stainless steel, iron and enamel are all suitable.

Cooking speed

Time required to heat 2 litres of water at 15°C-90°C



Source: BSH Hausgeräte GmbH, Germany (overseas test results)

Cook with a light touch.

When you're preparing a meal, there's no time to waste with complex cooking controls. With your Bosch Induction cooktop, you'll find a selection of brilliantly intuitive controls, all boasting 17-stage power settings.



DirectSelect 2.0

Maintain control even in the most hectic kitchen situations. Select your desired power level – including intermediate levels – with complete accuracy.



DirectSelect 1.0

Enjoy total convenience with DirectSelect. Simply select the required power level from the power settings laid out on the cooktop, without the need to press +/- repeatedly.



TouchSelect

With this control panel, you can regulate the desired cooking zone easily. Select your cooking zone and use the +/- keys to choose the power level you need.



Unique to Bosch



Put the Flex in flexibility

Introducing Bosch FlexInduction®, the result of decades of research and development. Introducing freedom in the kitchen.

Ideal for small pots, large pots, multiple pans, frying pans or casserole dishes – you name it, the system allows you to control pots and pans separately.* An electromagnetic current applies heat only where it's needed – in the pot. At the flick of a switch, two induction zones become one large induction surface.



CombiInduction – cooking with you side-by-side

Bosch CombiInduction lets you switch from small to large and oversized pans, like Teppan Yaki, simply and easily. So now there's no limit to the tastes you can create.



CombiZone

Because you can choose the size of the heated area, with Bosch CombiInduction you have the freedom to use your biggest pans and baking trays for more adventurous cooking. Switching from small to large pans is as simple as a single touch that merges two cooking zones into one.



MoveMode

When your recipe requires you to switch from boil to simmer at just the right moment, MoveMode is there when you need it. Switch from level 9 to level 1 by simply sliding your pot. MoveMode lets you move seamlessly from your first high-powered cooking task to the next, without a hiccup, and always in control.



Features may vary depending on models. Please check individual product specifications.

*FlexZone allows you to control a maximum of only 2 independent cooking zones.

Electric cooktops | Induction features

Bosch Induction: Setting the standards.

On every Bosch Induction cooktop, you'll find clever features that set them apart from the ordinary.



17-stage power setting

Enjoy total control on every recipe with 17-stage power settings. This function allows cooking zones to be set in increments of 0.5 (eg. 0.5, 1, 1.5, 2...9).



PowerBoost – now with even more power!

PowerBoost channels increased power to a selected zone to turbocharge the cooking process. With PowerBoost, you can boil 2 litres of water almost three times faster than on a conventional glass-ceramic cooktop.



Dual function timer including automatic switch-off for each zone

Use the independent audible timer to set the length of cooking time or set the cooking zone at a specific temperature (ie. level 5.5) for up to 99 minutes – ideal for busy households. Once the selected time has been reached, the cooking zone is switched off automatically.



Automatic pot detection

Bosch Induction cooktops feature automatic pot detection, which recognises the diameter of the cookware and determines the size of the cooking zone accordingly. If the pot is removed, the control panel indicator will flash and remain inactive until the pot is detected.



QuickStart

Start cooking quicker. New Bosch QuickStart functionality automatically detects the location of your pot and displays the cooking zone on the control panel. Just select the power level and you're away.

Available on selected models only.



ReStart

Things happen quickly in the kitchen – if you spill something on the control panel or accidentally switch-off the cooktop, ReStart will store your last selected settings. Those settings can be instantly recalled by simply pressing the main power switch within 4 seconds.

Available on selected models only.



Energy Consumption Display

Each time you finish cooking, your Energy Consumption Display shows exactly how much power you've used. So if you wish, you can adapt your cooking style to save energy and money. (For example, placing a lid on a pot can help reduce your energy consumption).

Available on selected models only.



WipeProtection

Stay in complete cooking control even while you've had a spill or boil-over. Bosch WipeProtection locks the control panel for 20 seconds so you can clean the surfaces easily, without losing your cooking settings.



Child lock

Maximum safety for tiny hands. Lock your cooktop's control panel and prevent accidental little chefs from 'helping out' and hurting themselves. Enjoy the reassurance of maximum safety for both you and your loved ones.



2-stage residual heat indicators

Provides clear indication of when a zone is still hot after use. Two levels: 'H' means residual heat sufficient to finish off cooking or to keep items warm; 'h' - residual heat insufficient to cook, but zone is still hot enough to advocate caution.



Automatic safety switch-off

Never worry again if you have forgotten to turn off the cooktop. If you've stopped using it, your Bosch Induction cooktop will automatically shut down.

Electric cooktops | Induction overview

FlexInduction® and CombiInduction cooktops.



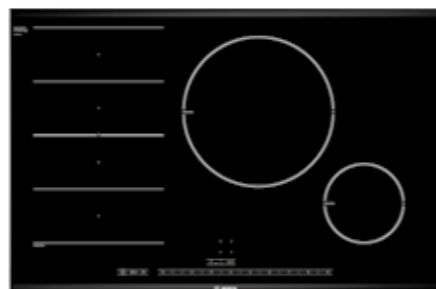
Wild-caught prawns from the Spencer Gulf, South Australia.

Grilled to perfection on a Bosch FlexInduction® Cooktop and Griddle Plate accessory.



For more information and recipes, visit cookingwithbosch.com

Series | 8



Series 8 | PIN875N17E
80cm FlexInduction® Cooktop

Heating functions

4 induction cooking zones:
1 large FlexInduction® zone for large pans or multiple smaller pans
17-stage power setting with PowerBoost for each zone

Convenience

Electronic DirectSelect 2.0 touch-controls
Dual timer with auto switch-off for each zone

Cleaning

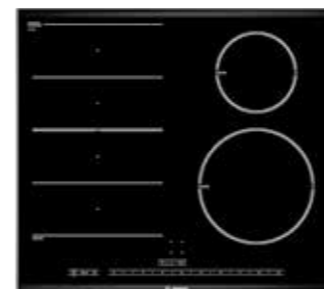
WipeProtection pauses all settings for easy cleaning while cooking

Safety

2-stage residual heat indicators
Child lock

Dimensions (WxD)

816 x 527mm



Series 8 | PIN675N17E
60cm FlexInduction® Cooktop

Heating functions

4 induction cooking zones:
1 large FlexInduction® zone for large pans or multiple smaller pans
17-stage power setting with PowerBoost for each zone

Convenience

Electronic DirectSelect 2.0 touch-controls
Dual timer with auto switch-off for each zone

Cleaning

WipeProtection pauses all settings for easy cleaning while cooking

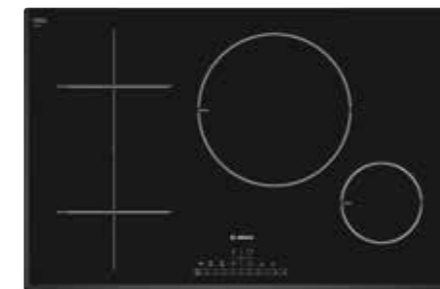
Safety

2-stage residual heat indicators
Child lock

Dimensions (WxD)

606 x 527mm

Series | 6



Series 6 | PIT851F17E
80cm CombiInduction Cooktop

Heating functions

4 induction cooking zones:
2 combinable zones 'CombiZone' for large pans
17-stage power setting with PowerBoost for each zone

Convenience

Electronic DirectSelect 1.0 touch-controls
Dual timer with auto switch-off for each zone
MoveMode for automatic keep warm and boil settings
QuickStart
ReStart
Energy Consumption display

Cleaning

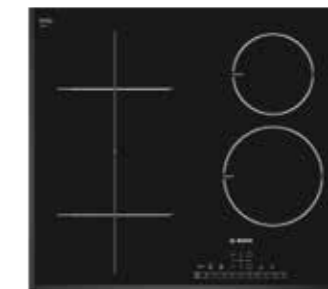
WipeProtection pauses all settings for easy cleaning while cooking

Safety

2-stage residual heat indicators
Child lock

Dimensions (WxD)

806 x 522mm



Series 6 | PIT651F17E
60cm CombiInduction Cooktop

Heating functions

4 induction cooking zones:
2 combinable zones 'CombiZone' for large pans
17-stage power setting with PowerBoost for each zone

Convenience

Electronic DirectSelect 1.0 touch-controls
Dual timer with auto switch-off for each zone
MoveMode for automatic keep warm and boil settings
QuickStart
ReStart
Energy Consumption display

Cleaning

WipeProtection pauses all settings for easy cleaning while cooking

Safety

2-stage residual heat indicators
Child lock

Dimensions (WxD)

592 x 522mm

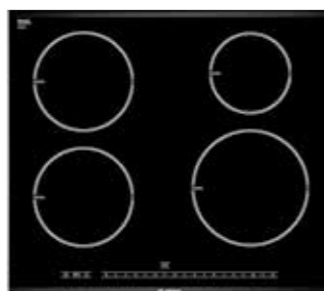
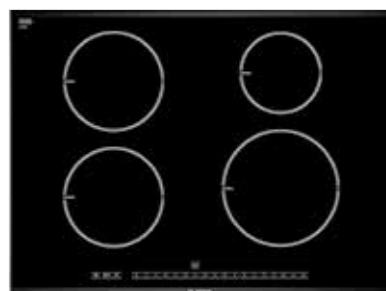
Electric cooktops | Induction overview

Induction cooktops.

Cooking with induction provides faster results and efficient cooking at higher and lower temperatures. The TouchSelect, DirectSelect 1.0 and DirectSelect 2.0 intuitive controls all boast 17-stage power settings. Bosch Induction cooktops make the entire cooking process so much easier to manage.



Series | 8



**Series 8 | PIE775N14E
70cm Induction Cooktop**

Heating functions
4 induction cooking zones
17-stage power setting with PowerBoost for each zone

Convenience
Electronic DirectSelect 2.0 touch-controls
Dual timer with auto switch-off for each zone

Cleaning
WipeProtection pauses all settings for easy cleaning while cooking

Safety
2-stage residual heat indicators
Child lock

Dimensions (WxD)
710 x 527mm

**Series 8 | PIE675N14E
60cm Induction Cooktop**

Heating functions
4 induction cooking zones
17-stage power setting with PowerBoost for each zone

Convenience
Electronic DirectSelect 2.0 touch-controls
Dual timer with auto switch-off for each zone

Cleaning
WipeProtection pauses all settings for easy cleaning while cooking

Safety
2-stage residual heat indicators
Child lock

Dimensions (WxD)
606 x 527mm

Series | 6



**Series 6 | PIM851F17E
80cm Induction Cooktop**

Heating functions
5 induction cooking zones
17-stage power setting with PowerBoost for each zone

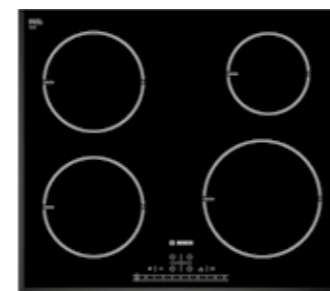
Convenience
Electronic DirectSelect 1.0 touch-controls
Dual timer with auto switch-off for each zone
QuickStart
ReStart
Energy Consumption display

Cleaning
WipeProtection pauses all settings for easy cleaning while cooking

Safety
2-stage residual heat indicators
Child lock

Dimensions (WxD)
802 x 522mm

Series | 4



**Series 6 | PIE651F17E
60cm Induction Cooktop**

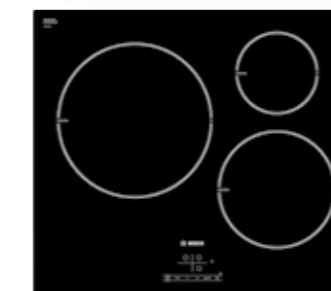
Heating functions
4 induction cooking zones
17-stage power setting with PowerBoost for each zone

Convenience
Electronic DirectSelect 1.0 touch-controls
Dual timer with auto switch-off for each zone
QuickStart
ReStart
Energy Consumption display

Cleaning
WipeProtection pauses all settings for easy cleaning while cooking

Safety
2-stage residual heat indicators
Child lock

Dimensions (WxD)
592 x 522mm



**Series 4 | PIL611B18E
60cm Induction Cooktop**

Heating functions
3 induction cooking zones including XL 28cm cooking zone
17-stage power setting with PowerBoost for each zone

Convenience
TouchSelect electronic controls
Dual timer with auto switch-off for each zone
QuickStart
ReStart

Safety
2-stage residual heat indicators
Child lock

Dimensions (WxD)
592 x 522mm

For complete specifications, refer to product reference guide, page 86-87. All descriptions and technical diagrams are intended as a guide only. For additional technical information, full dimensional and installation details, please refer to the instruction and installation manuals supplied with the appliance.

For complete specifications, refer to product reference guide, page 86-87. All descriptions and technical diagrams are intended as a guide only. For additional technical information, full dimensional and installation details, please refer to the instruction and installation manuals supplied with the appliance.

Electric cooktops | Ceramic overview

Ceramic cooktops.

With electronic touch-controls and extendable cooking zones, Bosch ceramic cooktops combine great looks with smart function and design. The smooth ceramic glass cooktop surface is tough and durable as well as being practical and easy-to-clean.



Dual circuit cooking zone

Available on selected ceramic cooktops, this energy-saving feature allows you to select a smaller cooking zone for small pans, and a larger zone for larger pans.



Extendable zone

Selected cooking zones can be extended giving you a much larger area to accommodate big saucepans, casserole and other (special) cooking dishes.



Automatic electronic boil start

The automatic electronic boil start heats the hotplate using the highest heat setting and then reverts down to the simmer setting you have previously selected, reducing the risk of boil overs.



QuickTherm technology

For improved control and flexibility, heat is delivered to the cooking zone in approximately three seconds. This feature is quicker than standard ceramic zones or electric-sealed plates.

Series | 8



Series 8 | PKC875N14A 80cm Ceramic Cooktop

Heating functions

4 QuickTherm cooking zones: 2 dual circuit zones, 1 dual circuit/extended roasting zone
17-stage power setting

Convenience

Electronic DirectSelect 2.0 touch-controls
Dual timer with auto switch-off for each zone
Automatic electronic boil start

Cleaning

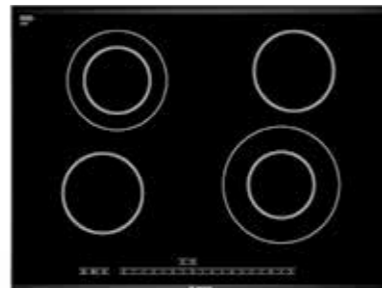
WipeProtection pauses all settings for easy cleaning while cooking

Safety

2-stage residual heat indicators
Child lock

Dimensions (WxD)

816 x 527mm



Series 8 | PKG775N14A 70cm Ceramic Cooktop

Heating functions

4 QuickTherm cooking zones:
2 dual circuit zone
17-stage power setting

Convenience

Electronic DirectSelect 2.0 touch-controls
Dual timer with auto switch-off for each zone
Automatic electronic boil start

Cleaning

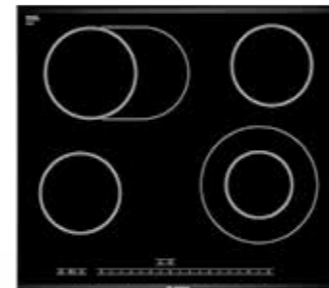
WipeProtection pauses all settings for easy cleaning while cooking

Safety

2-stage residual heat indicators
Child lock

Dimensions (WxD)

710 x 527mm



Series 8 | PKN675N14A 60cm Ceramic Cooktop

Heating functions

4 QuickTherm cooking zones: 1 dual circuit zones, 1 dual circuit/extended roasting zone
17-stage power setting

Convenience

Electronic DirectSelect 2.0 touch-controls
Dual timer with auto switch-off for each zone
Automatic electronic boil start

Cleaning

WipeProtection pauses all settings for easy cleaning while cooking

Safety

2-stage residual heat indicators
Child lock

Dimensions (WxD)

606 x 527mm

Series | 4



Series 4 | PKF645D17A 60cm Ceramic Cooktop

Heating functions

4 QuickTherm cooking zones:
1 dual circuit zone
17-stage power setting

Convenience

Electronic TouchSelect +/- touch-controls
Dual timer with auto switch-off for each zone
ReStart

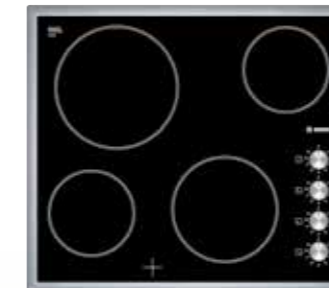
Safety

2-stage residual heat indicators
Child lock

Dimensions (WxD)

583 x 513mm

Series | 2



Series 2 | PKE645C17A 60cm Ceramic Cooktop

Heating functions

4 QuickTherm cooking zones
9-stage power setting

Convenience

Rotary control knobs

Dimensions (WxD)

583 x 513mm



Cooktops | Gas

The world of Bosch gas cooktops.

Fire still fascinates our engineers today as it did half a million years ago when man first tamed it. Our German-designed gas cooktops are available in a range of different styles and burner configurations for greater cooking flexibility.



Tempered glass cooktops

Premium models with exceptional cutting-edge features and extras. With a tempered glass base, these cooktops are complemented by a frameless finish. Available with up to five burners, these cooktops are available in 60 or 70cm.



Stainless steel cooktops

With a stainless steel base, all models offer a flame failure device. Other features include up to six burners, a dedicated wok burner for high intensity cooking and cast-iron pan supports.

Gas cooktops | Features

Fire that does exactly what you want.

Gas provides fast and instant versatility. Our German-designed gas cooktops all feature Bosch flame failure technology fitted to each burner and conveniently come with controls that are either front or side mounted.



Slim profile

Finished in black tempered glass, our Bosch Premium gas cooktops provide a stylish and sleek look.



Cast-iron supports

Cast-iron pan supports are both stylish and highly durable, providing solid and robust support for your cooking pans.



Tempered glass finish



One-hand ignition

Push and turn the ergonomically designed control knobs and the gas ignites automatically. As well as offering the convenience of only using one-hand, there is also no separate ignition button to clean.



Stainless steel finish



High-power wok-style burner

Selected gas cooktop models feature a powerful wok-style burner, which provides up to 18Mj/h. Suitable for use with flat-based pans or with a wok using the wok ring provided.



Flexible burners

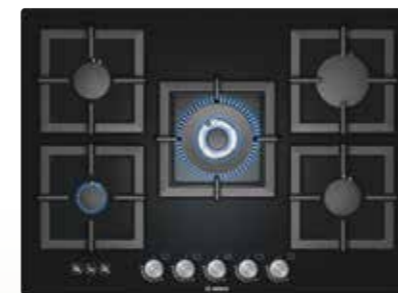
All our gas cooktops feature different burner combinations for greater flexibility. With wok, high-speed, standard and economy burners, you can cook more efficiently with the burner most suited to the size of the pan.



Flame failure device

For added safety, all Bosch gas cooktops feature a flame failure device. This feature stops the supply of gas to the burners if the flame is extinguished.

Series | 6



Series 6 | PPQ716B21A
70cm Black Tempered Glass Gas Cooktop

Heating functions

5 burners: 1 x 16Mj/h triple flame wok burner, 1 high-speed burner, 2 standard burners, 1 economy burner

Convenience

One-hand ignition via control knobs
Enamelled cast-iron pan supports

Safety

Flame failure for each burner stops gas flow if flames go out

Dimensions (WxD)

710 x 520mm

Other

Suitable for NG or LPG



Series 6 | PPH616B21A
60cm Black Tempered Glass Gas Cooktop

Heating functions

4 burners: 1 x 12Mj/h dual flame wok burner, 2 standard burners, 1 economy burner

Convenience

One-hand ignition via control knobs
Enamelled cast-iron pan supports

Safety

Flame failure for each burner stops gas flow if flames go out

Dimensions (WxD)

590 x 520mm

Other

Suitable for NG or LPG



Series 6 | PCT915B9TA
90cm Stainless Steel Gas Cooktop

Heating functions

6 burners: 2 x 18Mj/h dual flame wok burner, 2 standard burners, 2 economy burners

Convenience

One-hand ignition via control knobs
Enamelled cast-iron pan supports

Safety

Flame failure for each burner stops gas flow if flames go out

Dimensions (WxD)

915 x 520mm

Other

Suitable for NG or LPG

Gas cooktops | Overview

Gas cooktops.

The cooktop of choice in most professional kitchens, modern gas cooktops are as stylish as they are practical.



Series | 6



Series 6 | PCR915B91A
90cm Stainless Steel Gas Cooktop

Heating functions

5 burners: 1 x 18Mj/h triple flame wok burner, 1 high-speed burner, 2 standard burners, 1 economy burner

Convenience

One-hand ignition via control knobs
Enamelled cast-iron pan supports

Safety

Flame failure for each burner stops gas flow if flames go out

Dimensions (WxD)

915 x 520mm

Other

Suitable for NG or LPG



Series 6 | PCQ715B90A
70cm Stainless Steel Gas Cooktop

Heating functions

5 burners: 1 x 16Mj/h triple flame wok burner, 1 high-speed burner, 2 standard burners, 1 economy burner

Convenience

One-hand ignition via control knobs
Enamelled cast-iron pan supports

Safety

Flame failure for each burner stops gas flow if flames go out

Dimensions (WxD)

702 x 520mm

Other

Suitable for NG or LPG



Series 6 | PCI815B91A
75cm Stainless Steel Gas Cooktop

Heating functions

4 burners: 1 x 16Mj/h dual flame wok burner, 1 high-speed burner, 1 standard burner, 1 economy burner

Convenience

One-hand ignition via control knobs
Enamelled cast-iron pan supports

Safety

Flame failure for each burner stops gas flow if flames go out

Dimensions (WxD)

762 x 520mm

Other

Suitable for NG or LPG



Series 6 | PCH615B9TA
60cm Stainless Steel Gas Cooktop

Heating functions

4 burners: 1 x 18Mj/h dual flame wok burner, 1 high-speed burner, 1 standard burner, 1 economy burner

Convenience

One-hand ignition via control knobs
Enamelled cast-iron pan supports

Safety

Flame failure for each burner stops gas flow if flames go out

Dimensions (WxD)

582 x 520mm

Other

Suitable for NG or LPG

Series | 2



Series 2 | PBH615B9TA
60cm Stainless Steel Gas Cooktop

Heating functions

4 burners: 1 x 18Mj/h dual flame wok burner, 2 standard burners, 1 economy burner

Convenience

One-hand ignition via control knobs
Enamelled cast-iron pan supports

Safety

Flame failure for each burner stops gas flow if flames go out

Dimensions (WxD)

580 x 510mm

Other

Suitable for NG or LPG



Series 2 | PBH615B80A
60cm Stainless Steel Gas Cooktop

Heating functions

4 burners: 1 x 12Mj/h dual flame wok burner, 2 standard burners, 1 economy burner

Convenience

One-hand ignition via control knobs
Enamelled steel pan supports

Safety

Flame failure for each burner stops gas flow if flames go out

Dimensions (WxD)

580 x 510mm

Other

Suitable for NG or LPG

Rangehoods | Design options

The world of Bosch rangehoods.

With a wide variety of sizes, types and finishes to choose from, it's easy to find the right Bosch rangehood to perfectly suit your kitchen's design.



Curved glass
Metal and glass for a contemporary look, curved to give smooth lines.



Box style
Chimney hoods in a box design are available in slim or super-slim versions. Included in the range are models with bevelled lower edges for a really super-slim appearance.



Pyramid
Impress with classic lines and gently inclined contours.



Integrated
Neatly concealed rangehoods.



Slideout
Extends when in use and slides neatly away when not in operation.





Rangehoods | Convenience

Bosch in every detail.



Halogen lighting

Integrated halogen lighting ensures that the cooking area is clearly illuminated. They are more efficient than standard lights and are designed to last longer.



Rim ventilation filter

With its smooth uninterrupted surface and grease separation of 80-92%*, the rim ventilation filter from Bosch has a multi-patented filter sealing system and flow-optimised filter system with 12-layer filter mats.

*Depending on motor output



LED lighting

The new LED lights offer a longer lifetime and use less energy than conventional halogen lighting. Additional convenience is offered with SoftLight which gently fades lighting in and out with dimmer function.



Stainless steel filter

The stainless steel filter provides an exceptionally high level of grease absorption. It is concealed behind an elegant stainless steel cover with a stainless steel handle.



Dishwasher-safe metal filters

For easy cleaning, all Bosch filters can be safely loaded into any Bosch dishwasher for sparkling clean results.

Metal grease filter

Metal grease filters are required for ducted and recirculating systems to filter grease and other solid particles out of the extracted air. To make sure these filters operate at maximum efficiency, they should be cleaned about twice a month.



Why shout when you can whisper?

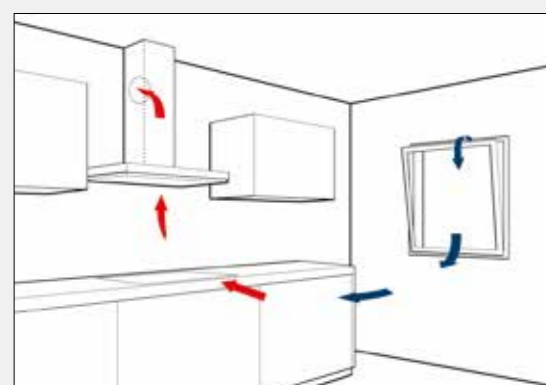
Relax in a quieter kitchen with family and friends

The new EcoSilence Drive® motor operates without carbon brushes, eliminating the disadvantages of conventional motors. Instead of energy loss, wear and noise, you get efficiency, durability, and smooth operation. To reduce motor noise even further, we have optimised the airflow inside the hood. The result: low noise levels with high power.



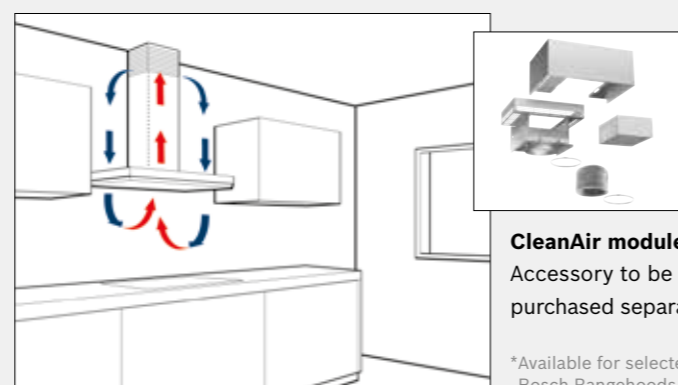
Rangehoods | Controls

Plenty of installation options, optimal performance.



Ducted extraction

Ducting out is the most effective method of extraction. Ideally the rangehood should be sited on an outside wall, or an outside wall can be reached via ducting. All Bosch extractors are now standardised to facilitate a 150mm diameter outlet for maximum performance, although smaller ducting can be used if required. Please refer to the installation guide for further advice on best practice installation.



Recirculation kit

Odours are extracted and filtered, then purified air is returned to the room. The kit comprises of a carbon filter and all components needed to ensure that odour free air is returned into the kitchen. To maintain performance, the carbon filter should be replaced on a regular basis. A recirculation kit needs to be purchased as a separate accessory.

CleanAir module
Accessory to be purchased separately*

*Available for selected Bosch Rangehoods



Variable power settings

All Bosch rangehoods feature variable power settings, which can be set to effectively remove odours, smoke and moisture caused by cooking. Many models also feature an intensive extraction setting, which gives an extra boost to the performance when required.



Automatic run-on

Selected Bosch rangehoods automatically continue to run-on for approximately 10 minutes after normal operation to ensure remaining odours are removed. The rangehood then automatically switches off.



Automatic power revert

When the intensive setting is selected, it can be set to automatically revert to a pre-defined setting after a short period of time.



Electronic filter saturation indicator

For maximum extraction efficiency, an illuminated light indicates when the filter needs cleaning. For hassle-free cleaning, the one-piece filter can be loaded into your Bosch dishwasher.



Electronic control

3 power levels + 2 additional intensive settings, automatic run-on, filter saturation indicator, automatic power revert and SoftLight with dimmer function, control at your fingertips.



Electronic button control

This control provides you with 3 power levels + 1 intensive setting. There's also a push-button for turning the lights on and off. And to make operation even easier, the buttons are back-lit.



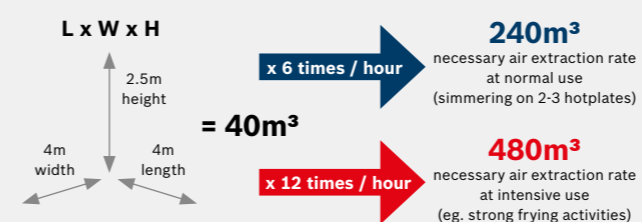
Rocker switch control

It doesn't get any easier: 3 push-buttons for 3 power levels and one for turning the lights on and off.

What extraction rate do I need?

It is recommended that air be extracted (or exchanged) in a room depending on your type of cooking: minimum of 6 times per hour; and a maximum of 12 times per hour.

Air Extraction is measured using room volume. This is calculated by multiplying Length x Width x Height.



Bosch extraction rates are tested inline with EU standards. See page 90-91 for more information.

Rangehoods | Overview

Wall-mounted rangehoods.

Powerful performance, classic design.

Series | **6**
Series 6 | DWA097E51A
90cm Wall-mounted Stainless Steel
Canopy Rangehood with Glass Screen
Power functions

690m³/h maximum extraction capacity
 3 power settings + 2 intensive settings
 with automatic revert to previous setting
 Automatic run-on time 1-10 mins
 EcoSilence Drive® brushless motor

Convenience

Whisper-quiet: 54dB at level 2 or 350m³/h
 (150mm ducted)
 Electronic controls with LED display
 2 x 3W LED SoftLights with dimmer function

Cleaning

Dishwasher-safe metal grease filters
 Electronic filter saturation indicator

Dimensions (HxWxD)

638-954 x 900 x 540mm (ducted) or
 694 x 900 x 540mm (CleanAir module)


Series 6 | DWB091E51A
90cm Wall-mounted Stainless Steel
Canopy Rangehood
Power functions

810m³/h maximum extraction capacity
 with rim ventilation
 3 power settings + 2 intensive settings
 with automatic revert to previous setting
 Automatic run-on time 1-10 mins
 EcoSilence Drive® brushless motor

Convenience

Whisper-quiet: 59dB at level 2 or 430m³/h
 (150mm ducted)
 Sound insulation mats
 Electronic controls with LED display
 3 x 3W LED SoftLights with dimmer function

Cleaning

Dishwasher-safe metal grease filters
 Electronic filter saturation indicator

Dimensions (HxWxD)

628-954 x 900 x 500mm (ducted) or
 689 x 900 x 500mm (CleanAir module)


Series 6 | DWB097E50A
90cm Wall-mounted Stainless Steel
Canopy Rangehood
Power functions

730m³/h maximum extraction capacity
 3 power settings + 2 intensive settings
 with automatic revert to previous setting
 Automatic run-on time 1-10 mins
 EcoSilence Drive® brushless motor

Convenience

Whisper-quiet: 49dB at level 2 or 360m³/h
 (150mm ducted)
 Sound insulation mats
 Electronic controls with LED display
 3 x 3W LED SoftLights with dimmer function

Cleaning

Dishwasher-safe metal grease filters
 Electronic filter saturation indicator

Dimensions (HxWxD)

642-954 x 900 x 500mm (ducted) or
 689 x 900 x 500mm (CleanAir module)

Series | **4**
Series 4 | DWW097A50A
90cm Wall-mounted Stainless Steel
Canopy Rangehood
Power functions

730m³/h maximum extraction capacity
 3 power settings + 1 intensive setting
 with automatic revert to previous setting
 EcoSilence Drive® brushless motor

Convenience

Whisper-quiet: 49dB at level 2 or 360m³/h
 (150mm ducted)
 Sound insulation mats
 Electronic button control
 3 x 3W LED lights

Cleaning

Dishwasher-safe metal grease filters

Dimensions (HxWxD)

622-954 x 900 x 500mm (ducted) or
 689 x 900 x 500mm (CleanAir module)

Series | **2**
Series 2 | DWW09W851A
90cm Wall-mounted Stainless Steel
Canopy Rangehood
Power functions

780m³/h maximum extraction capacity
 3 power settings

Convenience

Very quiet: 59dB at level 2 or 450m³/h
 (150mm ducted)
 Rocker switch controls for power and lights
 2 x 20W halogen lights

Cleaning

Dishwasher-safe metal grease filters

Dimensions (HxWxD)

799-976 x 900 x 500mm
 (ducted or recirculated)


Series 2 | DWW06W851A
60cm Wall-mounted Stainless Steel
Canopy Rangehood
Power functions

730m³/h maximum extraction capacity
 3 power settings

Convenience

Very quiet: 59dB at level 2 or 420m³/h
 (150mm ducted)
 Rocker switch controls for power and lights
 2 x 20W halogen lights

Cleaning

Dishwasher-safe metal grease filters

Dimensions (HxWxD)

799-976 x 600 x 500mm
 (ducted or recirculated)

Rangehoods | Overview

Integrated rangehoods.

Great performance in a tiny space. These neatly concealed rangehoods are housed underneath the kitchen unit and can be seen if you look underneath the kitchen cabinetry.

Series | 8



Series 8 | DHL895CAU 86cm Integrated Rangehood

Power functions

820m³/h maximum extraction capacity with rim ventilation
3 power settings + 1 intensive setting

Convenience

Whisper quiet: 41dB at level 2 or 400m³/h (150mm ducted)
Low-lift push button controls for power and light
2 x 1W LED lights

Cleaning

Dishwasher-safe metal grease filters

Dimensions (HxWxD)

418 x 836 x 282mm (ducted or recirculated)

Series | 6



Series 6 | DHL785BAU 70cm Integrated Rangehood

Power functions

730m³/h maximum extraction capacity with rim ventilation
3 power settings + 1 intensive setting

Convenience

Very quiet: 63dB at level 2 or 540m³/h (150mm ducted)
Low-lift push button controls for power and light
2 x 20W halogen lights

Cleaning

Dishwasher-safe metal grease filters

Dimensions (HxWxD)

418 x 676 x 264mm (ducted or recirculated)

Series | 4



Series 4 | DHL555BAU 53cm Integrated Rangehood

Power functions

650m³/h maximum extraction capacity with rim ventilation
3 power settings + 1 intensive setting

Convenience

Very quiet: 52dB at level 2 or 320m³/h (150mm ducted)
Slide controls for power and light
2 x 20W halogen lights

Cleaning

Dishwasher-safe metal grease filters

Dimensions (HxWxD)

255 x 530 x 380mm (ducted or recirculated)



Rangehoods | Overview

Retractable slideout rangehoods.

To operate, the slideout section is pulled out, enlarging the extraction surface. The pelmet front can even be matched to your kitchen units.* So this rangehood will be almost invisible in your kitchen.

Series | **8****Series 8 | DHI655NAU
60cm Slideout Rangehood****Power functions**

490m³/h maximum extraction capacity
3 power settings + 1 intensive setting

Convenience

Very quiet: 56dB at level 2 or 300m³/h
(150mm ducted)

Slide controls for power and light
2 x 20W halogen lights

Cleaning

Dishwasher-safe metal grease filters

Dimensions (HxWxD)

465 x 597 x 273mm (ducted or recirculated)

Pelmet must be purchased separately.

Series | **6****Series 6 | DHI955FAU
90cm Slideout Rangehood****Power functions**

830m³/h maximum extraction capacity
3 power settings + 1 intensive setting

Convenience

Very quiet: 51dB at level 2 or 350m³/h
(150mm ducted)

Slide controls for power and light
3 x 20W halogen lights

Cleaning

Dishwasher-safe metal grease filters

Dimensions (HxWxD)

475 x 897 x 273mm (ducted or recirculated)
(Fits 60cm or 90cm cupboard)

Pelmet must be purchased separately.

**Series 6 | DHI755FAU
70cm Slideout Rangehood****Power functions**

820m³/h maximum extraction capacity
3 power settings + 1 intensive setting

Convenience

Very quiet: 51dB at level 2 or 350m³/h
(150mm ducted)

Slide controls for power and light
2 x 20W halogen lights

Cleaning

Dishwasher-safe metal grease filters

Dimensions (HxWxD)

475 x 897 x 273mm (ducted or recirculated)

Pelmet must be purchased separately.

Series | **4****Series 4 | DHI635KAU
60cm Slideout Rangehood****Power functions**

400m³/h maximum extraction capacity
3 power settings

Convenience

Quiet: 61dB at level 2 or 310m³/h
(120mm ducted)

Rocker switches for power and light
2 x 30W halogen lights

Cleaning

Dishwasher-safe metal grease filters

Dimensions (HxWxD)

354 x 598 x 280mm (ducted or recirculated)

Pelmet must be purchased separately.

**Series 4 | DHI625NAU
60cm Slideout Rangehood****Power functions**

220m³/h maximum extraction capacity
3 power settings

Convenience

Quiet: 60dB at level 2 or 170m³/h
(150mm ducted)

Rocker switches for power and light
2 x 30W halogen lights

Cleaning

Dishwasher-safe metal grease filters

Dimensions (HxWxD)

252 x 598 x 280mm (ducted or recirculated)

Pelmet must be purchased separately.

Reference Guide Ovens.

Model		HRG6767S1A	HBG6767S1A	HBG6753S1A	HBG672BS1A	HBG655HS1A		HBG655HW1A	HBG633BS1A	HBA13B254A	HBA13B253A	HVA541NS0	HBM43S550A	HBM43B250A	
Type		Series 8	Series 8	Series 8	Series 8	Series 8		Series 8	Series 8	Series 6	Series 6	Series 6	Series 6	Series 6	
Type		Pyrolytic Oven with Added Steam	Pyrolytic Oven	Pyrolytic Oven	Pyrolytic Oven	EcoClean Direct Oven		EcoClean Direct Oven	EcoClean Direct Oven	EcoClean Oven	EcoClean Oven	Catalytic Oven	EcoClean Double Oven	EcoClean Double Oven	
Dimensions	Width (cm)	60	60	60	60	60		60	60	60	60	90	60	60	
	Appliance dimensions (HxWxD)	595 x 595 x 548mm	595 x 595 x 548mm	595 x 595 x 548mm	595 x 595 x 548mm	595 x 595 x 548mm		595 x 595 x 548mm	595 x 595 x 548mm	595 x 595 x 548mm	595 x 595 x 515mm	478 x 896 x 568mm	888 x 595 x 550mm	888 x 595 x 550mm	
	Built-in dimensions (HxWxD)	585-595 x 560-568 x 550mm	585-595 x 560-568 x 550mm	585-595 x 560-568 x 550mm	585-595 x 560-568 x 550mm	585-595 x 560-568 x 550mm		585-595 x 560-568 x 550mm	585-595 x 560-568 x 550mm	575-597 x 560 x 550mm	575-597 x 560 x 550mm	467-470 x 860-864 x 560mm	872-886 x 560-570 x 550mm	872-886 x 560-570 x 550mm	
	Cavity dimensions (HxWxD)	357 x 480 x 415mm	357 x 480 x 415mm	357 x 480 x 415mm	357 x 480 x 415mm	357 x 480 x 415mm		357 x 480 x 415mm	357 x 480 x 415mm	329 x 482 x 420mm	329 x 482 x 387mm	308 x 615 x 405	172 x 468 x 433mm (top); 329 x 482 x 418mm (bottom)	172 x 468 x 433mm (top); 329 x 482 x 418mm (bottom)	
Heating Functions	Number of heating functions	17	13	13	8	13		13	10	4	4	9	3 (top) and 5 (bottom)	2 (top) and 5 (bottom)	
	4D HotAir	●*^#	●*#	●#	●#	●#		●#	●						
	3D HotAir Plus									●			● (bottom)	● (bottom)	
	Fan-forced hot air										●				
	Fan-forced hot air eco											●			
	HotAir Eco	●^	●^	●	●	●		●							
	Top/bottom heating	●*^#	●*#	●#	●#	●#		●#	●				●	● (top and bottom)	● (top and bottom)
	Top/bottom heating Eco	●^	●^	●	●	●		●	●						
	Fan assisted top/bottom heating												●		
	Bottom heating	●	●	●	●	●		●	●				●	● (bottom)	● (bottom)
	Intensive heating	●													
	Hot air grilling	●*^	●^	●	●	●		●	●		●	●	●	● (bottom)	● (bottom)
	Grill - large area	●	●	●	●	●		●	●		●	●	●	● (top and bottom)	● (top and bottom)
	Grill - small area	●	●	●	●	●		●	●				●	● (top)	
	Pizza setting	●^	●^	●	●	●		●	●				●		
	Slow cooking	●	●	●	●	●		●							
	Keep warm	●*	●*	●	●	●		●							
	Preheat ovenware	●	●	●	●	●		●							
	Drying	●													
	Reheating (with added steam)	●^													
Dough proving (with added steam)	●														
Defrost	●	●	●	●	●		●	●		●	●				
Sabbath mode	●	●	●	●	●		●	●							
Automatic rapid heat function	●	●	●	●	●		●	●				●	●		
Automatic temperature proposal	●	●	●	●	●		●	●							
Temperature display	●	●	●	●	●		●	●							
Electronic thermostat	●	●	●	●	●		●	●							
Sensor & Automatic Functions	Bosch Assist (Fully automated cooking)	●	●												
	PerfectBake™ sensor	●	●												
	PerfectRoast meat probe	●	●												
	AutoPilot (Automatic programs)			● (10)	● (10)	● (10)		● (10)							
Capacity	Volume (usable litres)	71 litres (net)	71 litres (net)	71 litres (net)	71 litres (net)	71 litres (net)		71 litres (net)	71 litres (net)	67 litres (net)	62 litres (net)	77 litres (net)	35 litres (net) top 67 litres (net) bottom	35 litres (net) top 67 litres (net) bottom	
	Water tank	1 litre (net)													
Design		Stainless steel and black glass	Stainless steel and black glass	Stainless steel and black glass	Stainless steel and black glass	Stainless steel and black glass		Stainless steel and black glass	Stainless steel and black glass	Stainless steel with metal bar handle	Stainless steel with metal bar handle	Stainless steel and black glass	Stainless steel with metal bar handle	Stainless steel with metal bar handle	
	Cavity	Anthracite enamel cavity	Anthracite enamel cavity	Anthracite enamel cavity	Anthracite enamel cavity	Anthracite enamel cavity		Anthracite enamel cavity	Anthracite enamel cavity	Grey enamel cavity	Grey enamel cavity	Enamel cavity	Grey enamel cavity	Grey enamel cavity	
	Display	TFT Touch Graphic Display	TFT Touch Graphic Display	TFT Touch Symbol Display	TFT Touch Symbol Display	TFT Touch Symbol Display		TFT Touch Symbol Display	TFT Touch Symbol Display	Electronic touch-control clock/timer with LED display	Electronic touch-control clock/timer with LED display	Electronic clock/timer	Electronic touch-control clock/timer with LED display	Electronic touch-control clock/timer with LED display	
	Electronic clock/timer with end-time programming	●	●	●	●	●		●	●			●			
	Controls	Bosch Control Ring with TFT Display	Bosch Control Ring with TFT Display	Bosch Control Ring with TFT Display	Bosch Control Ring with TFT Display	Bosch Control Ring with TFT Display		Bosch Control Ring with TFT Display	Bosch Control Ring with TFT Display	Rotary control knobs	Sword control knobs	Rotary control knobs	Retractable rotary control knobs	Sword control knobs	
	SoftMove door technology	●	●	●	●	●		●	●						
	Interior light	LED (ceiling) and Multi-level LED lighting (left and right side)	Halogen (Ceiling)	Halogen (Ceiling)	Halogen (Ceiling)	Halogen (Ceiling)		Halogen (Ceiling)	Halogen (Ceiling)	●	●		2 (left and right side walls)	1 (top) and 1 (bottom)	1 (top) and 1 (bottom)
	No. of shelf positions	5	5	5	5	5		5	5	5	5	4	2 (top) and 5 (bottom)	2 (top) and 5 (bottom)	
	Full glass inner door	●	●	●	●	●		●	●	●	●		●	●	
	Removable door	●	●	●	●	●		●	●	●	●	●	●	●	
Cleaning	Water tank empty indicator	●													
	Pyrolytic cleaning function with compatible accessories and shelving	●	●	●	●										
	EcoClean cleaning system							Ceiling, sides and rear wall (EcoClean Direct)	Ceiling, sides and rear wall (EcoClean Direct)	Ceiling and rear wall	Rear wall		Ceiling, sides and rear wall	Ceiling, sides and rear wall	
	Catalytic cleaning system											Side and rear walls			
Safety	Descaling	●													
	Drying	●													
	Door	Quadruple-glazed CoolTouch Door	Quadruple-glazed CoolTouch Door	Quadruple-glazed CoolTouch Door	Quadruple-glazed CoolTouch Door	Triple-glazed door		Triple-glazed door	Triple-glazed door	Triple-glazed door	Triple-glazed door	Triple-glazed door	Triple-glazed door (top and bottom)	Triple-glazed door (top and bottom)	
	Residual heat indicator	●	●	●	●	●		●	●				●	●	
	Automatic safety switch off	●	●	●	●	●		●	●				●	●	
Technical requirements	Child lock function	●	●	●	●	●		●	●	●	●		●	●	
	Cooling fan	●	●	●	●	●		●	●	●	●	●	●	●	
	Maximum temperature	300°C	300°C	300°C	300°C	300°C		300°C	300°C	270°C	270°C	250°C	275°C	275°C	
	Total connected load	3.45kW	3.65kW	3.65kW	3.65kW	3.65kW		3.65kW	3.65kW	2.9kW	2.2kW	3.3kW	5.5kW	5.5kW	
	Power requirements	220-240V / 50-60Hz	220-240V / 50-60Hz	220-240V / 50-60Hz	220-240V / 50-60Hz	220-240V / 50-60Hz		220-240V / 50-60Hz	220-240V / 50-60Hz	220-240V / 50-60Hz	220-240V / 50-60Hz	220-240V / 50-60Hz	220-240V / 50-60Hz	220-240V / 50-60Hz	
Supplied accessories	Fully extendable telescopic rails	● (2 fold pyrolytic proof)	● (2 fold pyrolytic proof)	● (2 fold pyrolytic proof)	● (2 fold pyrolytic proof)	● (2 fold)		● (2 fold)				● (1 fold)	● (bottom)		
	No. wire racks	2	2	2	2	2		2	1	2	2	1	3	3	
	No. split grill trays									1		2	1	1	
	No. universal pans	1 (pyrolytic-safe)	1 (pyrolytic-safe)	1 (pyrolytic-safe)	1 (pyrolytic-safe)	1 (pyrolytic-safe)		1	1	1	2	2	2	1	
Optional accessories	No. baking trays	1 (pyrolytic-safe)	1 (pyrolytic-safe)	1 (pyrolytic-safe)	1 (pyrolytic-safe)	1		1	1	1		2	1	1	
		Refer to page 92-93	Refer to page 92-93	Refer to page 92-93	Refer to page 92-93	Refer to page 92-93		Refer to page 92-93	Refer to page 92-93	Refer to page 92-93	Refer to page 92-93		Refer to page 92-93	Refer to page 92-93	

Disclaimer: Ovens not compatible with silicon based cookware. *Compatible with added steam. ^Compatible with PerfectRoast Meat Probe. #Compatible with Rapid heat.

Reference Guide Compact Appliances.

Model	CSG656RS1A	CDG634BS1	CMG656RS1A	CMG633BS1B	
Type	Series 8 Combination Steam Oven	Series 8 Pure Steam Oven	Series 8 Combination Microwave Oven	Series 8 Combination Microwave Oven	
Dimensions	Width (cm)	60	60	60	
	Appliance dimensions (HxWxD)	455 x 595 x 548mm	455 x 595 x 548mm	455 x 595 x 548mm	
	Built-in dimensions (HxWxD)	450-455 x 560-568 x 550mm	450-455 x 560-568 x 550mm	450-455 x 560-568 x 550mm	
	Cavity dimensions (HxWxD)	235 x 480 x 415mm	265 x 325 x 439mm	237 x 480 x 392mm	
Heating Functions	Number of heating functions	18	4	14	
	4D HotAir	●*^#		●^#	
	HotAir Eco	●^		●^	
	Top/bottom heating	●*^#		●*^#	
	Top/bottom heating Eco	●^		●^	
	Bottom heating	●		●	
	Intensive heating	●			
	Hot air grilling	●*^		●*^	
	Grill - large area	●		●	
	Grill - small area	●		●	
	Pizza setting	●^		●^	
	Slow cooking	●		●	
	Keep warm	●*		●	
	Preheat ovenware	●		●	
	Drying	●			
	Reheating (using added steam)	●^	●		
	Dough proving (using added steam)	●	●		
	Defrost	●*	●		
	Pure Steaming	●^	●		
	Sabbath mode	●		●	
	Automatic rapid heating	●		●	
	Automatic temperature proposal	●	●	●	
	Temperature display	●	●	●	
	Pure Microwave			●	
	Microwave with INNOWAVE inverter technology			● (5 power levels - 90, 180, 360, 600, 1000W)	
	Sensor & Automatic Functions	Bosch Assist (Fully automated cooking)	●		●
		PerfectBake™ sensor	●		●
PerfectRoast meat probe		●		●	
AutoPilot (Automatic programs)			● (20)	● (14)	
Capacity	Volume (usable litres)	47 litres (net)	38 litres (net)	45 litres (net)	
	Water tank (steam ovens only)	1 litre (net)	1.3 litre (net)		
Design	Stainless steel and black glass	Stainless steel and black glass	Stainless steel and black glass	Stainless steel and black glass	
	Cavity	Anthracite enamel cavity	Anthracite enamel cavity	Anthracite enamel cavity	
	Display	TFT Touch Graphic Display	TFT Touch Symbol Display	TFT Touch Graphic Display	
	Electronic clock / timer with end-time programming	●	●	●	
	Bosch Control Ring with TFT Display	●	●	●	
	SoftMove door technology	●	●	●	
	Interior light	LED (ceiling)	Halogen (ceiling)	LED (ceiling)	
	No. of shelf positions	3	4	3	
	Removable door	●	●		
	Water tank empty indicator	●	●		
	Cleaning	EcoClean cleaning system in ceiling, sides and rear wall	● (EcoClean Direct)		● (EcoClean Direct)
		Steam cleaning system	●		
		Descaling program	●	●	
Drying		●			
Safety	Door	Triple-glazed door	Triple-glazed door	Quadruple-glazed CoolTouch door	
	Residual heat indicator	●		●	
	Automatic safety switch off	●	●	●	
	Child lock function	●	●	●	
	Cooling fan	●	●	●	
Technical requirements	Maximum temperature	250°C maximum top/bottom heating temperature, 30°C-100°C steam temperature	35-100°C steam temperature	300°C maximum temperature; 1000W maximum microwave power output with 5 power levels: 90/180/360/600/1000W	
	Total connected load	3.3kW	1.9kW	3.65kW	
	Power requirements	220-240V / 50-60Hz	220-240V / 50Hz	220-240V / 50-60Hz	
	Supplied accessories	● (1 fold)		● (1 fold)	
Supplied accessories	No. wire racks	2		1	
	No. universal pans	1		1	
	No. baking trays			1	
	No. non perforated steam trays	1 small	1 large		
	No. perforated steam trays	1 small, 1 extra large	1 large		
	Cleaning sponge		●		
Optional accessories	Refer to page 92-93	Refer to page 92-93	Refer to page 92-93	Refer to page 92-93	

Disclaimer: Compact appliances not compatible with silicon based cookware. *Compatible with added steam. ^Compatible with PerfectRoast Meat Probe. #Compatible with Rapid heat. *Compatible with Microwave function.

Reference Guide Coffee Machine.

Model	CTL636ES1		
Type	Series 8 Built-in fully-automatic coffee machine		
Dimensions	Appliance dimensions (HxWxD)	455 x 594 x 375mm	
	Built-in dimensions (HxWxD)	449 x 558 x 354mm	
Design	Stainless steel and black glass	●	
Flavour	SensoFlow System: Heating system for maximum and constant brewing temperature	●	
	AromaPro Concept: Optimal aroma extraction	●	
	One-touch preparation: Ristretto, Espresso, Espresso Macchiato, Coffee, Cappuccino, Latte Macchiato, Caffè Latte at the touch of a button	●	
	AromaDouble Shot: Extra-strong coffee with less bitterness thanks to two grinding and brewing processes	●	
	Beverage temperature adjustable individually: coffee 3 levels, hot water 4 levels	●	
	Including BRITA Intenza water filter: Reduces the lime content of water and filters substances affecting smell and taste	●	
	Convenience	TFT Touch Graphic Display with interactive menu	●
	MyCoffee: Save 8 favourite beverages with individual names and adjustable mixing ratio of milk and espresso	●	
	IndividualCup Volume: Cup sizes adjustable individually, to ensure your cup gets filled just as far as you would like	●	
	Coffee outlet and milk frother height-adjustable: Up to 15cm high Latte Macchiato glasses fit underneath	●	
OneTouch DoubleCup: Prepare two cups simultaneously for all coffee and milk specialities	●		
Water tank removable for easy refilling	● (2.4l volume)		
Early warning if water tank almost empty or bean container almost empty	●		
Flexible milk solution: Decide for yourself if you prefer connecting the provided milk container or using any other container, e.g. a milk carton	●		
Short user manual always at hand inside appliance	●		
Performance	SilentCeram Drive: Quiet, premium grinder made from non-wearing ceramic	●	
	CoffeeSensor Pro: Automatically adjusts grinding unit to bean variety	●	
	One-touch coffee milk specialities with especially fine-pored milk froth thanks to an innovative milk frother	●	
	In addition to beverages also available separately: milk foam, warm milk, hot water	●	
	Reduced heat-up time: Fastest first cup	●	
	Water pump with 19 bar pressure	●	
	Separate chute for ground coffee	●	
	15,000 cup warranty: Consistently high appliance quality from the first cup to the 15,000th (valid for non-commercial use within 24 months)	●	
	Hygiene	Removable brewing unit: Easy and hygienic cleaning under running water	●
	AutoMilk Clean: Automatically steam cleans the milk system after every beverage	●	
Milk frother removable and dishwasher-proof	●		
SinglePortion Cleaning: Complete emptying of all pipes after each brewing process	●		
Technical requirements	Electrical connection rating	1600W	
	Current	10A	
	Voltage	220-240V / 50-60Hz	
Supplied accessories	1 BRITA water filter cartridge	●	
	1 measuring spoon	●	
	1 milk container (insulated), connection hose and pipe	●	
	1 test strip	●	
	1 set assembly screws	● (9)	



Reference Guide Warming Drawers.

Model	BID630NS1A	BIC630NS1A	
Type	Series 8 60cm Built-in Warming Drawer	Series 8 60cm Built-in Warming Drawer	
Dimensions (HxWxD)	Appliance dimensions	290 x 595 x 548mm	140 x 595 x 548mm
	Built-in dimensions	290 x 560-568 x 550mm	140 x 560-568 x 550mm
	Internal dimensions	242 x 468 x 458mm	92 x 468 x 458mm
Heating functions	Bottom and fan heating 4 settings incl base and fan heating	●	●
	Suitable for	Slow cooking	●
	Proving yeast dough	●	●
	Defrosting	●	●
	Keeping food warm	●	●
Temperature range	Pre-warming cups, plates and ovenware	●	●
	from approx. 40-80°C	●	●
Design	Stainless steel and black glass	Stainless steel and black glass	Stainless steel and black glass
	Cavity	52 litre interior drawer volume	20 litre interior drawer volume
	Electronic rotary temperature control	●	●
	Inner compartment Ceramic glass base element made of stainless steel	●	●
Technical requirements	Max. weight load	25kg	25kg
	Total connected load	0.81kW	0.81kW
	Voltage	220-240V / 50-60Hz	220-240V / 50-60Hz

All descriptions and technical diagrams are intended as a guide only. For additional technical information, full dimensional and installation details, please refer to the instruction and installation manuals supplied with the appliance.

Reference Guide Freestanding Cookers.

Oven specifications

Model	HSB738356A	HCE858451A	HGV74W355A	
Type	Series 6	Series 6	Series 4	
Type	Gas / Electric	Induction / Electric	Gas / Electric	
Dimensions	Width (cm)	90	60	
	Appliance dimensions (HxWxD)	845-880 x 898 x 600mm	900 x 600 x 600mm	900 x 600 x 600mm
	Cavity dimensions (HxWxD)	339 x 665 x 433mm	329 x 482 x 420mm	329 x 482 x 420mm
Heating Functions	Number of heating functions	8	10	8
	3D HotAir Plus	●	●	●
	Fan-forced hot air	●	●	●
	HotAir Eco	●	●	●
	Top/bottom heating	●	●	●
	Fan assisted top/bottom heating	●	●	●
	Bottom heating	●	●	●
	Hot air grilling	●	●	●
	Grill - large area	●	●	●
	Grill - small area	●	●	●
	Pizza setting	●	●	●
	Defrost	●	●	●
	AutoPilot automatic programs	●	● (40)	●
	Memory function	●	●	●
	Automatic rapid heat function	●	●	●
	Electronic thermostat	●	●	●
	Sabbath program	●	●	●
Capacity	Volume (usable litres)	112 litre (net)	67 litre (net)	67 litre (net)
	Design	Stainless steel with metal bar handle	Stainless steel with metal bar handle	Stainless steel with metal bar handle
Design	Electronic touch-control clock/timer with LED display and end-time programming	●	●	●
	Retractable rotary control knobs	●	●	●
	Rotary control knobs	●	●	●
	SoftClose technology	●	●	●
	Interior light	2	●	●
	No. of shelf positions	4	5	5
	Full glass inner door	●	●	●
	Removable door	●	●	●
	Height adjustable	● (by 35mm)	● (by 15mm)	● (by 15mm)
	1-level telescopic rails	●	●	●
	2-level telescopic rails	●	●	●
	Other	Storage compartment	Utensil drawer	Utensil drawer
	Cleaning	Pyrolytic cleaning function	●	●
Pyrolytic compatible accessories		●	●	●
EcoClean cleaning system in ceiling, side walls and rear wall		●	●	●
Catalytic cleaning system in rear and side walls		●	●	●
Safety	Quadruple-glazed CoolTouch Door	●	●	●
	Triple-glazed door	●	●	●
	Double-glazed door	●	●	●
	Automatic safety switch off	●	●	●
	Child lock function	●	●	●
	Cooling fan	●	●	●
Supplied accessories	No. wire racks	2	2	2
	No. split grill trays - pyrolytic cleaning compatible	●	1	1
	No. baking trays - pyrolytic cleaning compatible	●	1	1
	No. universal pans - pyrolytic cleaning compatible	●	1	1
	No. split grill trays	●	1	1
	No. universal pans	●	1	1
	No. solid baking trays	1	1	1

Cooktop specifications

Model	HSB738356A	HCE858451A	HGV74W355A	
Type	Series 6	Series 6	Series 4	
Type	Gas / Electric	Induction / Electric	Gas / Electric	
Burner / Zone Output (Size)	6 burners including:	4 zones including:	4 burners including:	
	Front left	Triple flame wok burner: 14Mj/h	Standard zone: 1.8kW (180mm)	Wok burner: 12Mj/h
	Rear left	Standard burner: 7Mj/h	Standard zone: 1.8kW (180mm)	Standard burner: 6.5Mj/h
	Front centre	High-speed burner: 11Mj/h		
	Rear centre	Economy burner: 4Mj/h		
	Front right	Economy burner: 4Mj/h	Standard zone: 2.2kW (220mm)	Economy burner: 3.6Mj/h
	Rear right	Standard burner: 7Mj/h	Standard zone: 1.4kW (145mm)	Standard burner: 6.5Mj/h
	17-stage power setting		●	
	PowerBoost		●	
	Cooktop Design	Stainless steel gas cooktop	Ceramic glass induction cooktop	Stainless steel gas cooktop
3-pc cast-iron trivets with rubber feet		●	●	
2-pc cast-iron trivets with rubber feet		●	●	
Cooktop Electronic touch-controls	Electronic +/- touch-controls and timer for each zone	●	●	
	One-hand electronic ignition	●	●	
Cooktop Cleaning	WipeProtection	●	●	
	Flame failure fitted to each burner	●	●	
Cooktop Safety	2-stage residual heat indicators	●	●	
	Child lock	●	●	
	Automatic safety switch off	●	●	
	LPG conversion kit	●	●	
Supplied accessories	Wok ring support	1	1	
	Cross support for Espresso	1	1	
Optional accessories	Refer to page 88-89	Refer to page 88-89	Refer to page 88-89	
Technical requirements	Maximum temperature (oven)	260°C	300°C	300°C
	Total connected load	3.2kW total connected load; 47Mj/h total gas connected load	10.9kW total connected load	3.2kW total connected load; 28.6Mj/h total gas connected load
	Power requirements	220-240V / 50-60Hz	220-240V / 50-60Hz	220-240V / 50-60Hz
	Other	Suitable for NG and LPG		Suitable for NG and LPG



Reference Guide Electric Cooktops.

Model		PIN875N17E	PIN675N17E	PIT851F17E	PIT651F17E	PIE775N14E	PIE675N14E		PIM851F17E	PIE651F17E	PIL611B18E	PKC875N14A	PKG775N14A	PKN675N14A	PKF645D17A	PKE645C17A	
Type		Series 8	Series 8	Series 6	Series 6	Series 8	Series 8		Series 6	Series 6	Series 4	Series 8	Series 8	Series 8	Series 4	Series 2	
Dimensions	Width (cm)	FlexInduction®	FlexInduction®	CombiInduction	CombiInduction	Induction	Induction		Induction	Induction	Induction	Ceramic	Ceramic	Ceramic	Ceramic	Ceramic	
Dimensions	Appliance dimensions (WxD)	816 x 527mm	606 x 527mm	802 x 522mm	592 x 522mm	710 x 527mm	606 x 527mm		802 x 522mm	592 x 522mm	592 x 522mm	816 x 527mm	710 x 527mm	606 x 527mm	583 x 513mm	583 x 513mm	
	Cut-out dimensions (WxD)	750-780 x 490-500mm	560 x 490-500mm	750 x 490-500mm	560 x 490-500mm	560 x 490-500mm (fits cut-out for 60cm)	560 x 490-500mm		750 x 490-500mm	560 x 490-500mm	560 x 490-500mm	780 x 500mm	560-640 x 490-500mm (fits cut-out for 60cm)	560 x 500mm	560 x 490-500mm	560 x 490-500mm	
Design		Black ceramic glass Stainless steel slimline side profile Beveled front and rear	Black ceramic glass Stainless steel slimline side profile Beveled front and rear	Black ceramic glass Beveled front and sides	Black ceramic glass Beveled front and sides	Black ceramic glass Stainless steel slimline side profile Beveled front and rear	Black ceramic glass Stainless steel slimline side profile Beveled front and rear		Black ceramic glass Beveled front and sides	Black ceramic glass Beveled front and sides	Black ceramic frameless glass	Black ceramic glass Stainless steel slimline side profile Beveled front and rear	Black ceramic glass Stainless steel slimline side profile Beveled front and rear	Black ceramic glass Stainless steel slimline side profile Beveled front and rear	Black ceramic glass Stainless steel frame	Black ceramic glass Stainless steel frame	
Burner / Zone Output (Size)		4 zones including:	4 zones including:	4 zones including:	4 zones including:	4 zones including:	4 zones including:		5 zones including:	4 zones including:	3 zones including:	4 zones including:	4 zones including:	4 zones including:	4 zones including:	4 zones including:	
	Front left	FlexZone: 2.0kW / 2.5kW Boost (200x240mm)	FlexZone: 2.0kW / 2.5kW Boost (200x240mm)	CombiZone: 2.2kW / 3.6kW Boost (210mm)	CombiZone: 2.2kW / 3.6kW Boost (210mm)	Standard zone: 1.8kW / 2.5kW Boost (180mm)	Standard zone: 1.8kW / 2.5kW Boost (180mm)		Standard zone: 1.8kW / 2.8kW Boost (180mm)	Standard zone: 1.8kW / 2.5kW Boost (180mm)		Dual circuit zone: 0.75kW / 2.2kW (120/210mm)	Standard zone: 1.2kW (145mm)	Standard zone: 1.2kW (145mm)	Standard zone: 1.2kW (145mm)	Standard zone: 1.2kW (145mm)	Standard zone: 1.2kW (145mm)
	Rear left	FlexZone: 2.0kW / 2.5kW Boost (200x240mm)	FlexZone: 2.0kW / 2.5kW Boost (200x240mm)	CombiZone: 2.2kW / 3.6kW Boost (210mm)	CombiZone: 2.2kW / 3.6kW Boost (210mm)	Standard zone: 1.8kW / 2.5kW Boost (180mm)	Standard zone: 1.8kW / 2.5kW Boost (180mm)		Standard zone: 1.4kW / 1.8kW Boost (145mm)	Standard zone: 1.8kW / 2.5kW Boost (180mm)	Standard zone: 2.4kW / 3.5kW Boost (280mm)	Standard zone: 1.2kW (180mm)	Dual circuit zone: 0.8kW / 2.0kW (120/180mm)	Standard/roaster zone: 1.8kW / 2.6kW (170/265mm)	Standard zone: 2.0kW (180mm)	Standard zone: 2.2kW (210mm)	
	Front centre																
	Rear centre								Standard zone: 2.2kW / 3.7kW Boost (240mm)				Dual circuit zone: 1.5kW / 2.4kW (180/230mm)				
	Front right	Standard zone: 1.4kW / 1.8kW Boost (145mm)	Standard zone: 1.4kW / 1.8kW Boost (145mm)	Standard zone: 1.4kW / 1.8kW Boost (145mm)	Standard zone: 1.8kW / 2.8kW Boost (180mm)	Standard zone: 2.2kW / 3.3kW Boost (210mm)	Standard zone: 2.2kW / 3.3kW Boost (210mm)		Standard zone: 2.2kW / 3.7kW Boost (210mm)	Standard zone: 2.2kW / 3.3kW Boost (210mm)	Standard zone: 2.2kW / 3.3kW Boost (210mm)	Dual circuit/roaster zone: 0.9kW / 1.75kW / 2.1kW (145/200/350mm)	Dual circuit zone: 0.75kW / 2.2kW (120/210mm)	Dual circuit zone: 0.75kW / 2.2kW (120/210mm)	Dual circuit zone: 0.75kW / 2.2kW (120/210mm)	Standard zone: 2.0kW (180mm)	
	Rear right	Standard zone: 2.4kW / 3.6kW Boost (280mm)	Standard zone: 2.4kW / 3.6kW Boost (280mm)	Standard zone: 2.4kW / 3.7kW Boost (280mm)	Standard zone: 1.4kW / 1.8kW Boost (145mm)	Standard zone: 1.4kW / 1.8kW Boost (145mm)	Standard zone: 1.4kW / 1.8kW Boost (145mm)		Standard zone: 1.4kW / 1.8kW Boost (145mm)	Standard zone: 1.4kW / 1.8kW Boost (145mm)	Standard zone: 1.4kW / 1.8kW Boost (145mm)		Standard zone: 1.2kW (145mm)	Standard zone: 1.2kW (145mm)	Standard zone: 1.2kW (145mm)	Standard zone: 1.2kW (145mm)	
		*Total FlexZone: 3.3kW / 3.6kW Boost (400x240mm)	*Total FlexZone: 3.3kW / 3.6kW Boost (400x240mm)														
Performance	17-stage power setting	●	●	●	●	●	●		●	●	●	●	●	●	●	●	
	9-stage power setting															●	
	PowerBoost	●	●	●	●	●	●		●	●	●						
	FlexZone	●	●														
	CombiZone			●	●												
Convenience	MoveMode			●	●												
	WipeProtection	●	●	●	●	●	●		●	●		●	●	●			
	QuickStart			●	●				●	●	●						
	ReStart			●	●				●	●	●				●		
	Energy consumption display			●	●				●	●							
	Dual function timer with automatic switch-off	●	●	●	●	●	●		●	●	●	●	●	●			
	Automatic pot detection	●	●	●	●	●	●		●	●	●						
Automatic boil start											●	●	●				
Safety	Child lock	●	●	●	●	●	●		●	●	●	●	●	●	●	●	
	2-stage residual heat indicators	●	●	●	●	●	●		●	●	●	●	●	●	●	●	
	Residual heat indicator															●	
	Automatic safety stuff-off	●	●	●	●	●	●		●	●	●	●	●	●	●		
Electronic touch- controls	Direct Select 2.0	●	●			●	●					●	●	●			
	Direct Select 1.0			●	●				●	●							
	TouchSelect										●				●		
	Rotary control knobs															●	
Technical requirements		7.2kW total connected load; 220-240V / 50-60Hz; Min. thickness of worktop: 20mm if over oven: 30mm	7.2kW total connected load; 220-240V / 50-60Hz; Min. thickness of worktop: 20mm if over oven: 30mm	7.2kW total connected load; 220-240V / 50-60Hz; Min. thickness of worktop: 20mm if over oven: 30mm	6.8kW total connected load; 220-240V / 50-60Hz; Min. thickness of worktop: 20mm if over oven: 30mm	7.2kW total connected load; 220-240V / 50-60Hz; Min. thickness of worktop: 20mm if over oven: 30mm	7.2kW total connected load; 220-240V / 50-60Hz; Min. thickness of worktop: 20mm if over oven: 30mm		7.2kW total connected load; 220- 240V / 50-60Hz; Min. thickness of worktop: 20mm if over oven: 30mm	7.2kW total connected load; 220-240V / 50-60Hz; Min. thickness of worktop: 20mm if over oven: 30mm	4.6kW total connected load; 220-240V / 50-60Hz; Min. thickness of worktop: 20mm if over oven: 30mm	7.9kW total connected load; 220-240V / 50-60Hz; Min. thickness of worktop: 20mm over oven: 20mm	6.6kW total connected load; 220-240V / 50-60Hz; Min. thickness of worktop: 20mm over oven: 20mm	7.2kW total connected load; 220-240V / 50-60Hz; Min. thickness of worktop: 20mm over oven: 20mm	6.6kW total connected load; 220-240V / 50-60Hz; Min. thickness of worktop: 20mm over oven: 20mm	6.6kW total connected load; 220-240V / 50-60Hz; Min. thickness of worktop: 20mm over oven: 20mm	
	Optional accessories*	Griddle plate	●	●	●	●	●										
	Teppan Yaki Large (40cm x 20cm)	●	●	●	●	●											
	Teppan Yaki Small (30cm x 20cm)	●	●	●	●	●											
	4 piece iittala cookware set	●	●	●	●	●		●	●	●	●	●	●	●	●		
	Stainless steel roasting pan with lid	●	●	●	●	●					●	●	●	●	●		
	Stainless steel wok	●	●	●	●	●	●		●	●	●	●	●	●	●		

All descriptions and technical diagrams are intended as a guide only. For additional technical information, full dimensional and installation details, please refer to the instruction and installation manuals supplied with the appliance.

All descriptions and technical diagrams are intended as a guide only. For additional technical information, full dimensional and installation details, please refer to the instruction and installation manuals supplied with the appliance.

Reference Guide Gas Cooktops.

Model		PPQ716B21A	PPH616B21A	PCT915B9TA	PCR915B91A		PCQ715B90A	PCI815B91A	PCH615B9TA	PBH615B9TA	PBH615B80A
Type		Series 6	Series 6	Series 6	Series 6		Series 6	Series 6	Series 6	Series 2	Series 2
Dimensions	Width (cm)	70	60	90	90		70	75	60	60	60
Dimensions	Appliance dimensions (WxD)	710 x 520mm	590 x 520mm	915 x 520mm	915 x 520mm		702 x 520mm	762 x 520mm	582 x 520mm	580 x 510mm	580 x 510mm
	Cut-out dimensions (WxD)	560 x 480-490mm (fits cut-out for 60cm)	560 x 480-490mm	850 x 490-500mm	850 x 490-500mm		560 x 480-490mm (fits cut-out for 60cm)	560 x 480-490mm (fits cut-out for 60cm)	560 x 480-490mm	560 x 480-490mm	560 x 480-490mm
Design		Black tempered frameless glass	Black tempered frameless glass	Stainless steel	Stainless steel		Stainless steel	Stainless steel	Stainless steel	Stainless steel	Stainless steel
Burner / Zone Output		5 burners including:	4 burners including:	6 burners including:	5 burners including:		5 burners including:	4 burners including:	4 burners including:	4 burners including:	4 burners including:
	Front left	Economy burner: 3.6Mj/h	Standard burner: 6.5Mj/h	Dual flame wok burner: 18Mj/h	High-speed burner: 10.8Mj/h		Economy burner: 3.6Mj/h	Triple flame wok burner: 16Mj/h	Dual flame wok burner: 18Mj/h	Dual flame wok burner: 18Mj/h	Dual flame wok burner: 12Mj/h
	Rear left	Standard burner: 6.5Mj/h	Standard burner: 6.5Mj/h	Economy burner: 3.6Mj/h	Economy burner: 3.6Mj/h		Standard burner: 6.5Mj/h		Standard burner: 6.5Mj/h	Standard burner: 6.5Mj/h	Standard burner: 6.5Mj/h
	Front centre	Triple flame wok burner: 16Mj/h		Economy burner: 3.6Mj/h	Dual flame wok burner: 18Mj/h		Triple flame wok burner: 16Mj/h	Economy burner: 3.6Mj/h			
	Rear centre			Standard burner: 6.5Mj/h				Standard burner: 6.5Mj/h			
	Front right	Standard burner: 6.5Mj/h	Economy burner: 3.6Mj/h	Dual flame wok burner: 18Mj/h	Standard burner: 6.5Mj/h		Standard burner: 6.5Mj/h	High-speed burner: 10.8Mj/h	Economy burner: 3.6Mj/h	Economy burner: 3.6Mj/h	Economy burner: 3.6Mj/h
	Rear right	High-speed burner: 10.8Mj/h	Dual flame wok burner: 12Mj/h	Standard burner: 6.5Mj/h	Standard burner: 6.5Mj/h		High-speed burner: 10.8Mj/h		High-speed burner: 10.8Mj/h	Standard burner: 6.5Mj/h	Standard burner: 6.5Mj/h
Convenience	Individual cast-iron trivets with rubber feet	●	●								
	3-pc cast-iron trivets with rubber feet			●	●						
	2-pc cast-iron trivets with rubber feet					●	●	●	●	●	●
	Enamelled cast-iron burner caps	●	●	●	●	●	●	●	●	●	●
Safety	Flame failure fitted to each burner	●	●	●	●	●	●	●	●	●	●
	Rotary controls - black and stainless steel	●	●	●	●	●	●	●	●	●	●
Controls	Sword controls - silver									●	●
	Technical requirements	43.4Mj/h total connected load; 240V / 50Hz; Min. thickness of worktop: 30mm	28.6Mj/h total connected load; 240V / 50Hz; Min. thickness of worktop: 30mm	56.2Mj/h total connected load; 240V / 50Hz; Min. thickness of worktop: 30mm	45.4Mj/h total connected load; 240V / 50Hz; Min. thickness of worktop: 30mm		43.4Mj/h total connected load; 240V / 50Hz; Min. thickness of worktop: 30mm	36.9Mj/h total connected load; 240V / 50Hz; Min. thickness of worktop: 30mm	38.9Mj/h total connected load; 240V / 50Hz; Min. thickness of worktop: 30mm	34.6Mj/h total connected load; 240V / 50Hz; Min. thickness of worktop: 30mm	28.6Mj/h total connected load; 240V / 50Hz; Min. thickness of worktop: 30mm
Supplied accessories	Wok ring support	1	1	1	1		1	1	1	1	1
	Espresso cross support	1	1	1	1		1	1	1		
	LPG conversion kit	●	●	●	●		●	●	●	●	●
Other	Suitable for NG or LPG	●	●	●	●		●	●	●	●	●



Reference Guide Rangehoods.


Model		DWA097E51A	DWB091E51A	DWB097E50A	DWW097A50A	DWW09W851A	DWW06W851A		DHL895CAU	DHL785BAU	DHL555BAU	DHI655NAU	DHI955FAU	DHI755FAU	DHI635KAU	DHI625NAU
Type		Series 6	Series 6	Series 6	Series 4	Series 2	Series 2		Series 8	Series 6	Series 4	Series 8	Series 6	Series 6	Series 4	Series 4
Dimensions	Width (cm)	90	90	90	90	90	60		86	70	53	60	90	70	60	60
Appliance dimensions (HxWxD)	Appliance dimensions (HxWxD)	638-954 x 900 x 540mm (ducted) or 694 x 900 x 540mm (CleanAir module)	628-954 x 900 x 500mm (ducted) or 689 x 900 x 500mm (CleanAir module)	642-954 x 900 x 500mm (ducted) or 689 x 900 x 500mm (CleanAir module)	672-954 x 900 x 500mm (ducted) or 689 x 900 x 500mm (CleanAir module)	799-976 x 900 x 500mm (ducted) or 799-976 x 900 x 500mm (recirculated)	799-976 x 600 x 500mm (ducted) or 799-976 x 600 x 500mm (recirculated)		418 x 836 x 264mm	418 x 676 x 264mm	255 x 530 x 380mm	465 x 597 x 273mm	475 x 897 x 273mm (fits 60cm or 90cm cupboard)	475 x 697 x 273mm	354 x 598 x 280mm	252 x 598 x 280mm
	Design	Stainless steel and glass	Stainless steel	Stainless steel	Stainless steel	Stainless steel	Stainless steel		Stainless steel	Stainless steel	Steel body with metallic finish	Steel body with metallic finish	Steel body with metallic finish	Steel body with metallic finish	Steel body with metallic finish	Steel body with metallic finish
Power functions	7 segment LED display	●	●	●					●	●						
	On/Off main switch control	●	●	●	●	●	●		●	●						
	Electronic controls with low lift push buttons for power and light	●	●	●					●	●						
	Electronic backlit push button controls for power and light				●											
	Slide controls for power and light										●	●	●	●		
	Rocker switches for power and light						●	●							●	●
	Concealed power and light controls														●	●
	Lighting	2 x 3W LED SoftLights with dimmer function	3 x 3W LED SoftLights with dimmer function	3 x 3W LED SoftLights with dimmer function	3 x 3W LED lights	2 x 20W halogen lights	2 x 20W halogen lights		2 x 1W LED lights	2 x 20W halogen lights	2 x 20W halogen lights	2 x 20W halogen lights	3 x 20W halogen lights	2 x 20W halogen lights	2 x 30W halogen lights	2 x 30W halogen lights
	Maximum extraction rate	690m³/h	810m³/h	730m³/h	730m³/h	780m³/h	730m³/h		820m³/h	730m³/h	650m³/h	490m³/h	830m³/h	820m³/h	400m³/h	220m³/h
	3 power levels plus 2 intensive settings	●	●	●												
3 power levels plus 1 intensive setting				●				●	●	●	●	●	●			
3 power levels					●	●								●	●	
Intensive setting with automatic switch back to previous setting 6 min	●	●	●	●				●	●							
Residual shutdown with automatic run-on time 1-10 min	●	●	●					●								
Rim ventilation system		●						●	●							
EcoSilence Drive® brushless motor	●	●	●	●												
Powerful single motor with twin fan						●	●	●	●							
Powerful twin motor										●	●	●	●			
Powerful single motor														●	●	
Noise*		54dB at level 2 or 350m³/h (150mm ducted)	59dB at level 2 or 430m³/h (150mm ducted)	49dB at level 2 or 360m³/h (150mm ducted)	49dB at level 2 or 360m³/h (150mm ducted)	59dB at level 2 or 450m³/h (150mm ducted)	59dB at level 2 or 420m³/h (150mm ducted)		55dB at level 2 or 400m³/h (150mm ducted)	63dB at level 2 or 540m³/h (150mm ducted)	52dB at level 2 or 320m³/h (150mm ducted)	56dB at level 2 or 300m³/h (150mm ducted)	51dB at level 2 or 350m³/h (150mm ducted)	51dB at level 2 or 350m³/h (150mm ducted)	61dB at level 2 or 310m³/h (120mm ducted)	60dB at level 2 or 170m³/h (150mm ducted)
	Sound insulation mats		●	●	●											
Convenience	Dual layer metal grease filters	●	●	●	●	●	●		●	●	●	●	●	●	●	●
	1 x dishwasher-safe metal grease filter	●														●
	2 x dishwasher-safe metal grease filter						●		●	●	●	●	●	●	●	
	3 x dishwasher-safe metal grease filter		●	●	●	●										
	Saturation indicator for filters	●	●	●					●							
Technical requirements		136W total connected load; 220-240V / 50Hz; 120 and 150mm tube connection diameter	269W total connected load; 220-240V / 50Hz; 120 and 150mm tube connection diameter	139W total connected load; 220-240V / 50Hz; 120 and 150mm tube connection diameter	139W total connected load; 220-240V / 50Hz; 120 and 150mm tube connection diameter	255W total connected load; 220-240V / 50Hz; 120mm tube connection diameter	255W total connected load; 220-240V / 50Hz; 120mm tube connection diameter		272W total connected load; 220-240V / 50Hz; 120 and 150mm tube connection diameter	315W total connected load; 220-240V / 50Hz; 120 and 150mm tube connection diameter	240W total connected load; 220-240V / 50Hz; 120 and 150mm tube connection diameter	240W total connected load; 220-240V / 50Hz; 120 and 150mm tube connection diameter	240W total connected load; 220-240V / 50Hz; 120 and 150mm tube connection diameter	240W total connected load; 220-240V / 50Hz; 120 and 150mm tube connection diameter	160W total connected load; 220-240V / 50Hz; 100 and 120mm tube connection diameter	170W total connected load; 220-240V / 50Hz; 100 and 120mm tube connection diameter
	Optional accessory	DHZ6200 Recirculation kit CleanAir module	DHZ6240 Recirculation kit CleanAir module	DHZ6240 Recirculation kit CleanAir module	DHZ6240 Recirculation kit CleanAir module	DHZ5275 Recirculation kit	DHZ5275 Recirculation kit		DHZ5605 Recirculating Kit	DHZ5605 Recirculating Kit	DHZ7305 Charcoal filter for recirculation	DHZ4650 Stainless steel finish pelmet; DHZ4505 Recirculation kit	DHZ4950 Stainless steel finish pelmet; DHZ4505 Recirculation kit; DHZ4910 Mounting kit for 90cm cupboard	DHZ4750 Stainless steel finish pelmet; DHZ4505 Recirculation kit	DHZ4650 Stainless steel finish pelmet; DHZ3320 White pelmet; DHZ3350 Metallic pelmet; DHZ3405 Recirculation kit	DHZ4650 Stainless steel finish pelmet; DHZ3320 White pelmet; DHZ3350 Metallic pelmet; DHZ3405 Recirculation kit
Other	Ducted and recirculated air operation	●	●	●	●	●	●		●	●	●	●	●	●	●	●

*The dB(A) value plus approx. 10-14 units is equivalent to a dB(A) re1pW value


Air extraction calculation examples to help you calculate your own requirements

Kitchen dimensions: L x W x H	Room volume	Minimum extraction rate (6 x per hour)	Maximum extraction rate (12 x per hour)
3 x 4 x 2.5m =	30m³	6 x 30m³ = 180m³/h	12 x 32m³ = 360m³/h
4 x 4 x 2.5m =	40m³	6 x 40m³ = 240m³/h	12 x 40m³ = 480m³/h
4 x 5 x 2.5m =	50m³	6 x 50m³ = 300m³/h	12 x 50m³ = 600m³/h
Calculate yourself			

Measurement of air extraction as used by Bosch

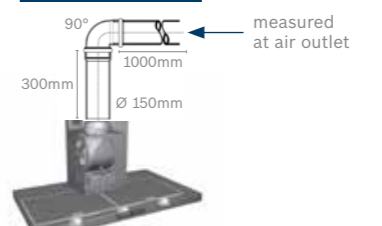


net fan power without installation



net fan power in appliance but without connection to ducting system


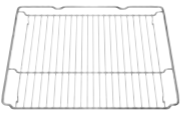

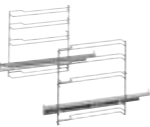
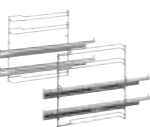


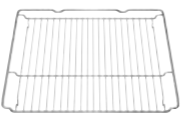
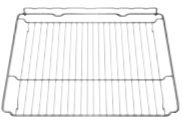


DIN/EN



net fan power in appliance and with connection to ducting system according to EN61591

Accessories.

Oven and Cooker Accessories		
	Wire rack for universal pan Fits into the universal pan for all grilling applications. Universal pan and wire rack can be removed together. To suit all Bosch 60cm ovens (except HBA13B253A) and all 45cm combination steam and microwave ovens	HEZ324000
	Pizza stone Pizza baking stone with wooden bread paddle. Baking stone is pyrolytic-safe. To suit all Bosch 60cm ovens and all 45cm combination steam and microwave ovens	HEZ327000
	Wire rack For all grilling applications. To suit all Bosch 60cm ovens except HBA13B253A	HEZ334000
	Stainless steel roasting pan Stainless steel roasting pan with glass lid, induction suitable. To suit all Bosch 60cm ovens except HBA13B253A	HEZ390011
	Porcelain tray - small To suit Bosch Series 8 45cm combination steam oven CSG656RS1A, CDG634BS1	HEZ36D153P
	Porcelain tray - large To suit Bosch Series 8 45cm combination steam oven CSG656RS1A, CDG634BS1	HEZ36D353P
	Pizza pan To suit all Bosch 60cm ovens and all 45cm combination steam and microwave ovens	HEZ617000
	Split grill tray, enamelled - pyrolytic-safe To suit Bosch Series 8 60cm ovens, 45cm combination steam and microwave ovens	HEZ625071
	Enamelled baking tray - pyrolytic-safe To suit Bosch Series 8 60cm ovens, 45cm combination steam and microwave ovens	HEZ631070
	Universal pan, enamelled - pyrolytic-safe To suit Bosch Series 8 60cm ovens, 45cm combination steam and microwave ovens	HEZ632070
	Lid for Professional pan To suit Bosch Series 8 60cm ovens, 45cm combination steam and microwave ovens	HEZ633001

	Professional pan, enamelled - pyrolytic-safe To suit Bosch Series 8 60cm ovens, 45cm combination steam and microwave ovens	HEZ633073
	Wire rack (standard) To suit all Bosch Series 8 60cm ovens	HEZ634000
	Glass pan To suit all Bosch 60cm ovens and all 45cm combination steam and microwave ovens	HEZ636000
	1 level telescopic rail, full extension - pyrolytic-safe To suit Bosch Series 8 60cm ovens	HEZ638170
	2 level telescopic rails, full extension - pyrolytic-safe To suit Bosch Series 8 60cm ovens	HEZ638270
	3 level telescopic rails, full extension - pyrolytic-safe To suit Bosch Series 8 60cm ovens	HEZ638370
	Metal strip To suit all Bosch 60cm ovens and all 45cm steam, combination steam and microwave ovens	HEZ660060
	Wire rack (microwave) To suit Bosch Series 8 45cm microwave ovens CMG633BS1B, CMG656RS1A	HEZ634080
	Wire rack (steam) To suit Bosch Series 8 45cm combination steam oven CSG656RS1A	HEZ664070
	Glass dish (pyrex style) To suit Bosch Series 8 60cm ovens, 45cm combination steam and microwave ovens	HEZ864000
	Glass roasting dish, 5.1 L To suit Bosch Series 8 60cm ovens, 45cm combination steam and microwave ovens	HEZ915001

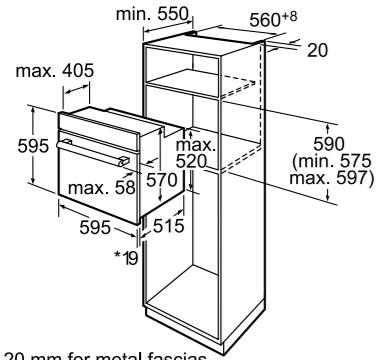
Induction Accessories		
	Griddle plate For use on two combined cooking zones. Evens heat to perfectly grill your favourite meats, fish or vegetables.	HEZ390522
	Teppan Yaki Enjoy induction the Japanese way! Try beef, prawns, scallops, lobster, chicken and chopped vegetables. Let your imagination go. Also great for steamers and available in two sizes (40cm x 20cm and 30cm x 20cm).	Large - HEZ390512 Small - HEZ390511
	Stainless steel roasting pan (optional with steamer inset) Cook large dishes without hot spots for results you'll be delighted with. A high performance roasting pan that no induction kitchen should be without. For use on two combined cooking zones.	HEZ390011
	Induction cookware set 4 piece 'iittala' induction cookware set consisting of 2 pots, 1 casserole and 1 fry pan.	HEZ390040
	Stainless steel wok Stainless steel wok for induction and ceramic cooktops. Includes glass lid and draining grid.	HEZ390090
Rangehood Accessories		
	CleanAir recirculation kit Fits Bosch DWA097E51A	DSZ6200
	CleanAir recirculation kit Fits Bosch DWB091E51A, DWB097E50A, DWW097A50A	DSZ6240
	Recirculation set / charcoal filter For Bosch DHI625NAU	DHZ3105
	Recirculation set / charcoal filter For Bosch DHI635KAU	DHZ3405
	Recirculation set / charcoal filter For Bosch DHI655NAU, DHI755FAU, DHI955FAU	DHZ4505
	Recirculation set / charcoal filter For Bosch DWW06W851A, DWW09W851A	DHZ5275
	Recirculation set / charcoal filter For Bosch DHL555BAU	DHZ7305
	Recirculation kit To suit DHL895CAU and DHL785BAU	DHZ5605

	Charcoal filter For Bosch DHL555BAU	DHZ7305
	White pelmet Fits all Bosch 60cm slideout rangehoods except models DHI623GAU, DHI655NAU	DHZ3320
	Metallic pelmet Fits all Bosch 60cm slideout rangehoods except models DHI623GAU, DHI655NAU	DHZ3350
	Stainless steel finish pelmet Fits all Bosch 60cm slideout rangehoods except commercial model DHI623GAU	DHZ4650
	Stainless steel finish pelmet Fits Bosch DHI755FAU	DHZ4750
	Stainless steel finish pelmet Fits Bosch DHI955FAU	DHZ4950
	Mounting kit for 90cm cupboard Fits Bosch DHI955FAU	DHZ4910

Technical diagrams.

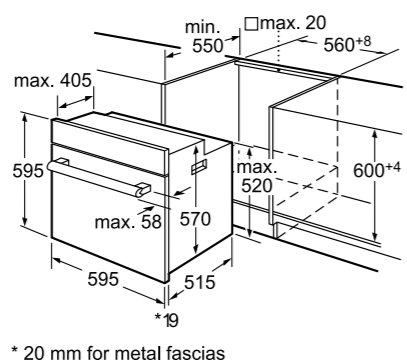
All descriptions and technical diagrams are intended as a guide only. For additional technical information, full dimensional and installation details, please refer to the instruction and installation manuals supplied with the appliance. All measurements in mm.

Series 6 | 60cm Built-in Oven



* 20 mm for metal fascias
Measurements in mm

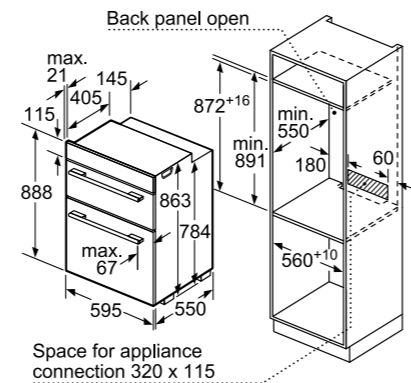
HBA13B253A



* 20 mm for metal fascias
Measurements in mm

HBA13B253A

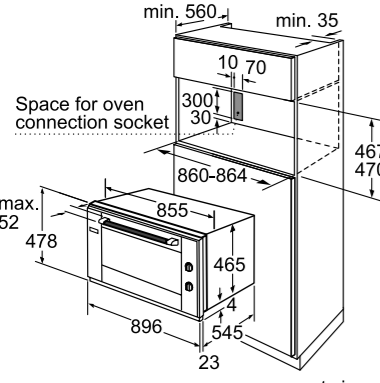
Series 6 | 60cm Built-in Double Oven



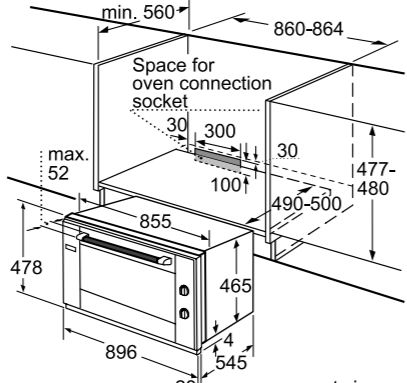
Space for appliance connection 320 x 115
measurements in mm

HBM43S550A, HBM43B250A

Series 6 | 90cm Built-in Oven

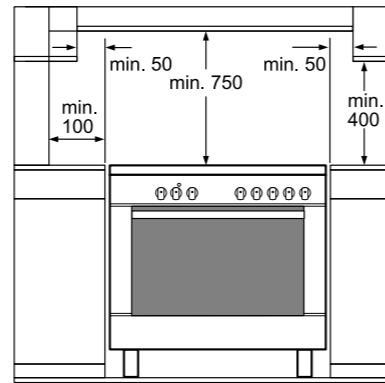


HVA541NS0



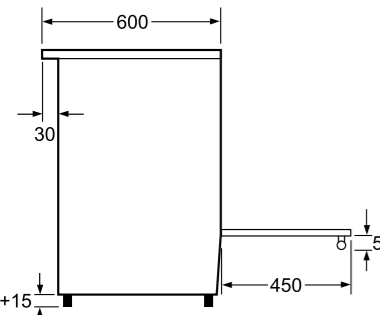
HVA541NS0

Series 6 | 90cm Freestanding Gas/Catalytic Cooker



measurements in mm

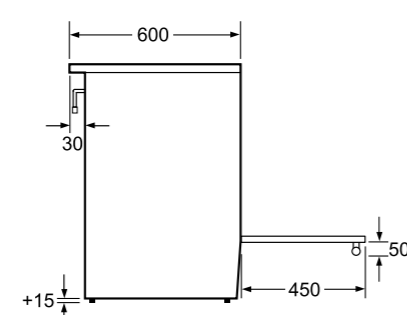
Series 6 | 60cm Freestanding Induction/Pyrolytic Cooker



measurements in mm

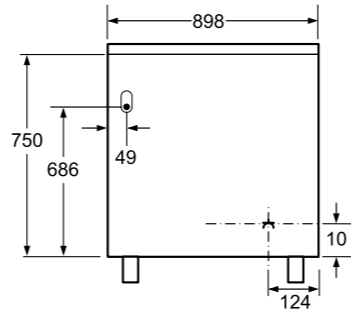
HCE858451A

Series 4 | 60cm Freestanding Gas/EcoClean Cooker



Measurements in mm

HGV74W355A



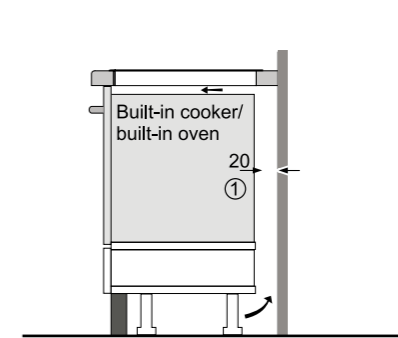
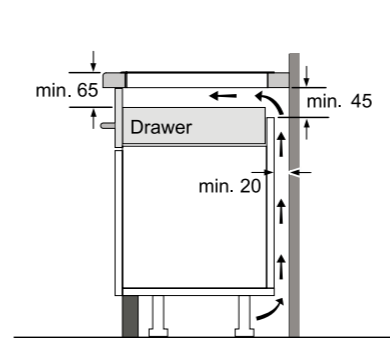
measurements in mm

HSB738356A

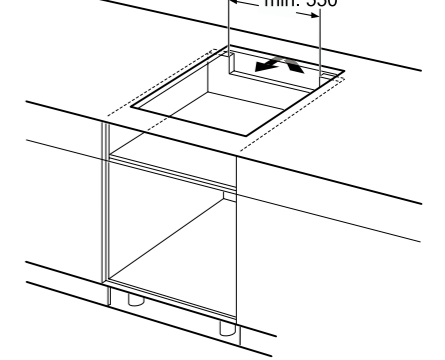
Technical diagrams.

All descriptions and technical diagrams are intended as a guide only. For additional technical information, full dimensional and installation details, please refer to the instruction and installation manuals supplied with the appliance. All measurements in mm.

Installation Requirements for Induction Cooktops Only



① Ventilation gap must be present.



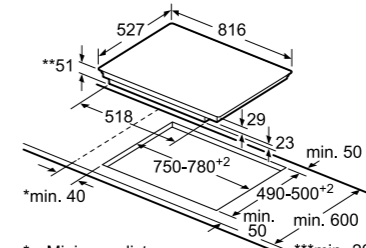
Measurements in mm

Cookware for Induction Cooktops

Important:

Induction heating relies on creating a controlled electro-magnetic field, which requires magnetic-based cookware. This includes stainless steel cookware with a magnetic base, enamelled steel or cast-iron. Glass, aluminium, copper or ceran pots are not suitable for use. If you are unsure, hold a magnet to the base of the cookware. If it attracts and holds, then the cookware is most probably suitable.

Series 8 | 80cm FlexInduction® Cooktop

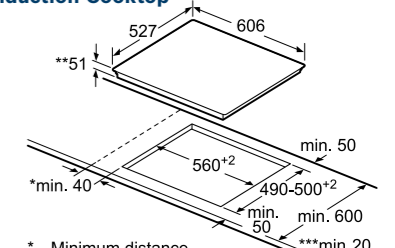


* Minimum distance from the hob cut-out to the wall
** Maximum recessed depth
*** With fitted oven underneath min. 30, possibly more; see space requirements for the oven.

PIN875N17E

Measurements in mm

Series 8 | 60cm FlexInduction®, Induction Cooktop

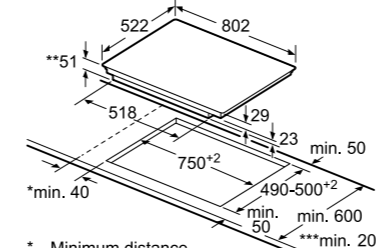


* Minimum distance from the hob cut-out to the wall
** Maximum recessed depth
*** With fitted oven underneath min. 30, possibly more; see space requirements for the oven.

PIN675N17E, PIE675N14E

Measurements in mm

Series 6 | 80cm CombiInduction, Induction Cooktop

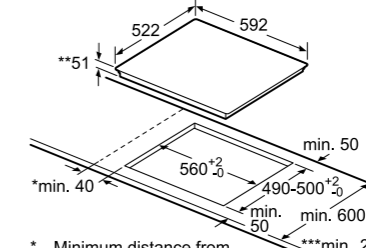


* Minimum distance from the hob cut-out to the wall
** Maximum recessed depth
*** With fitted oven underneath min. 30, possibly more; see space requirements for the oven.

PIT851F17E, PIM851F17E

Measurements in mm

Series 6 | 60cm CombiInduction, Induction Cooktop

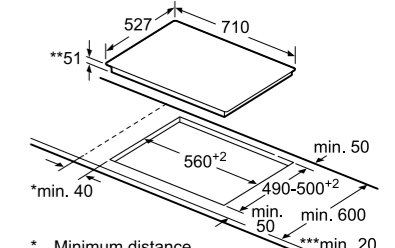


* Minimum distance from the hob cut-out to the wall
** Maximum recessed depth
*** With fitted oven underneath min. 30, possibly more; see space requirements for the oven.

PIT651F17E, PIE651F17E, PIL611B18E

Measurements in mm

Series 8 | 70cm Induction Cooktop

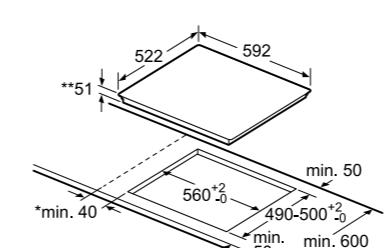


* Minimum distance from the hob cut-out to the wall
** Maximum recessed depth
*** With fitted oven underneath min. 30, possibly more; see space requirements for the oven.

PIE775N14E

Measurements in mm

Series 4 | 60cm Induction Cooktop

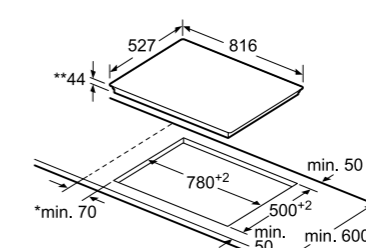


* Minimum distance from the hob cut-out to the wall
** Maximum recessed depth
*** With fitted oven underneath, possibly more; see space requirements for the oven.

PIL611B18E

Measurements in mm

Series 8 | 80cm Ceramic Cooktop

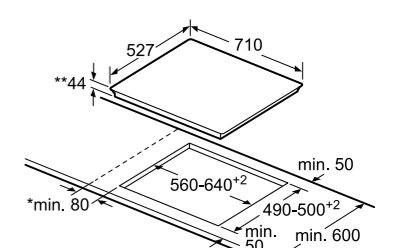


* Minimum distance from the hob cut-out to the wall
** Maximum recessed depth
*** With fitted oven underneath, possibly more; see space requirements for the oven.

PKC875N14A

Measurements in mm

Series 8 | 70cm Ceramic Cooktop



* Minimum distance from the hob cut-out to the wall
** Maximum recessed depth
*** With fitted oven underneath, possibly more; see space requirements for the oven.

PKG775N14A

Measurements in mm

Technical diagrams.

All descriptions and technical diagrams are intended as a guide only. For additional technical information, full dimensional and installation details, please refer to the instruction and installation manuals supplied with the appliance. All measurements in mm.

Series 8 | 60cm Ceramic Cooktop

Measurements in mm

PKN675N14A

Series 4 | 60cm Ceramic Cooktop

Measurements in mm

PKF645D17A

Series 2 | 60cm Ceramic Cooktop

Measurements in mm

PKE645C17A

Series 6 | 70cm Tempered Glass Gas Cooktop

Measurements in mm

PPQ716B21A

Series 6 | 60cm Tempered Glass Gas Cooktop

Measurements in mm

PPH616B21A

Series 6 | 90cm Gas Cooktop

Measurements in mm

PCT915B9TA

Series 6 | 90cm Gas Cooktop

Measurements in mm

PCR915B91A

Series 6 | 70cm Gas Cooktop

Measurements in mm

PCQ715B90A

Series 6 | 75cm Gas Cooktop

Measurements in mm

PCI815B91A

Series 6 | 60cm Gas Cooktop

Measurements in mm

PCH615B9TA

Series 2 | 60cm Gas Cooktop

Measurements in mm

PBH615B9TA, PBH615B80A

Technical diagrams.

All descriptions and technical diagrams are intended as a guide only. For additional technical information, full dimensional and installation details, please refer to the instruction and installation manuals supplied with the appliance. All measurements in mm.

Series 6 | 90cm Wall-Mounted Canopy Rangehood

Measurements in mm

DWA097E51A

Series 6 | 90cm Wall-Mounted Canopy Rangehood

Measurements in mm

DWB091E51A

Series 6 | 90cm Wall-Mounted Canopy Rangehood

Measurements in mm

DWB097E50A

Series 4 | 90cm Wall-Mounted Canopy Rangehood

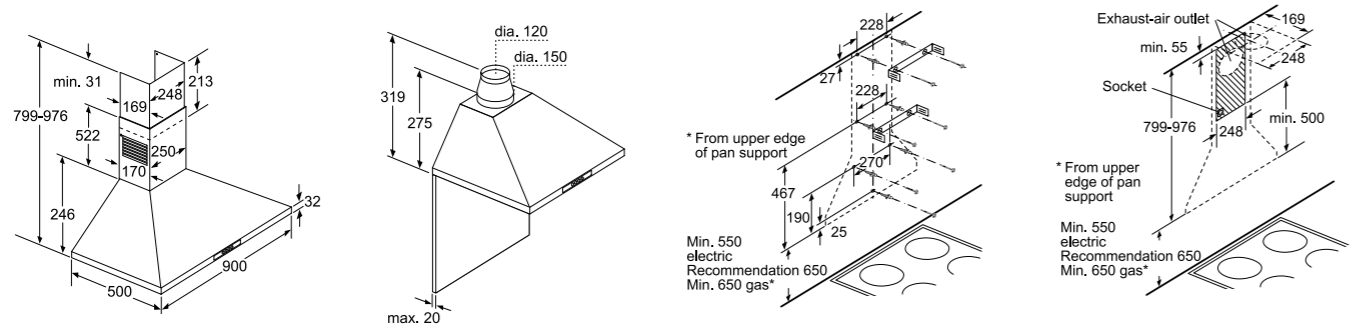
Measurements in mm

DWW097A50A

Technical diagrams.

All descriptions and technical diagrams are intended as a guide only. For additional technical information, full dimensional and installation details, please refer to the instruction and installation manuals supplied with the appliance. All measurements in mm.

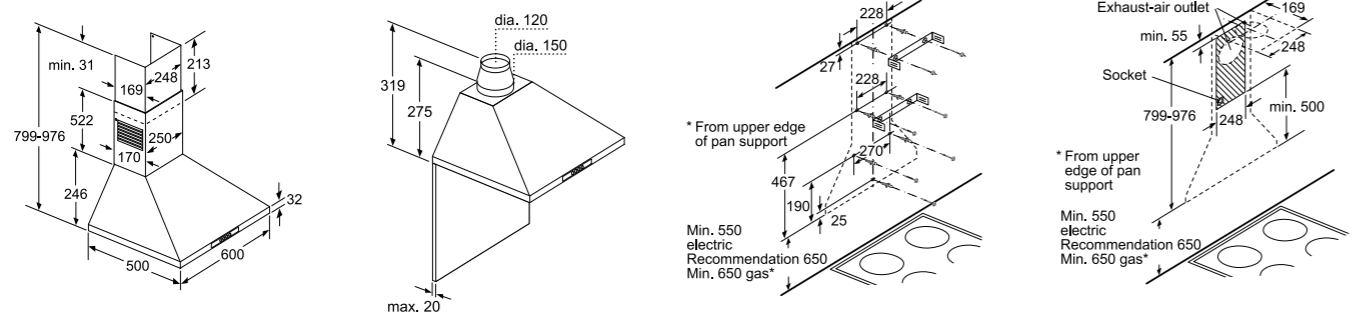
Series 2 | 90cm Wall-Mounted Canopy Rangehood



DWW09W851A

Measurements in mm

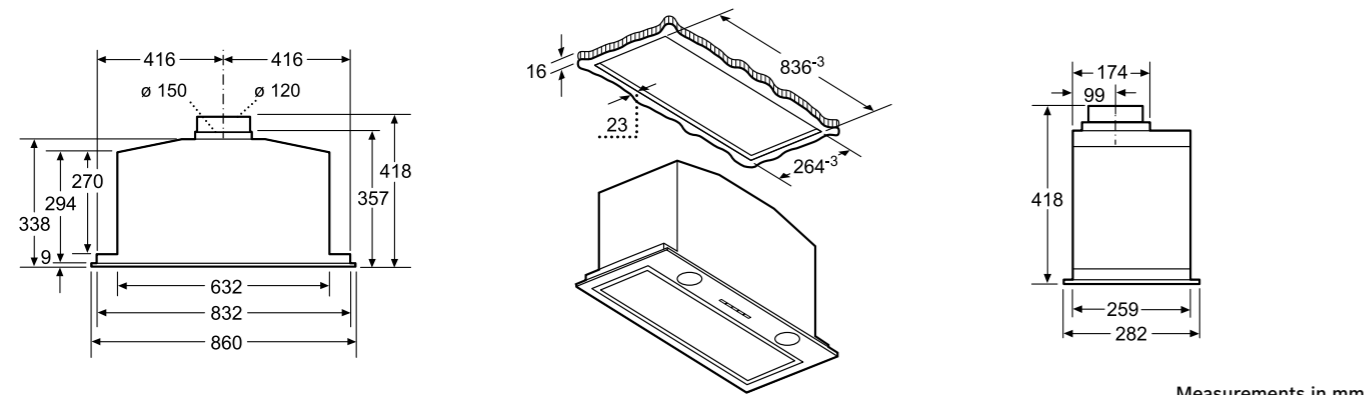
Series 2 | 60cm Wall-Mounted Canopy Rangehood



DWW06W851A

Measurements in mm

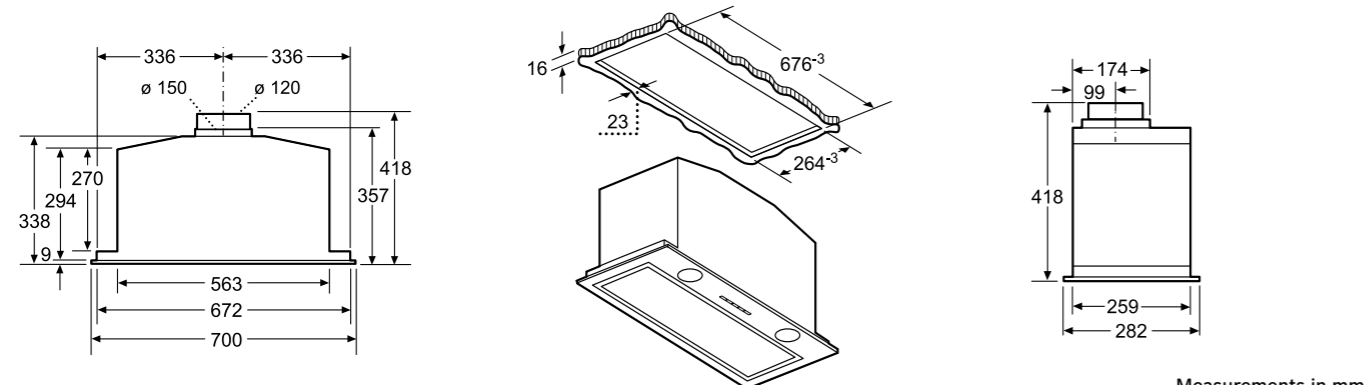
Series 8 | 86cm Integrated Rangehood



DHL895CAU

Measurements in mm

Series 6 | 70cm Integrated Rangehood



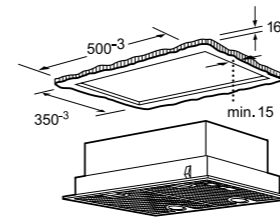
DHL785BAU

Measurements in mm

Technical diagrams.

All descriptions and technical diagrams are intended as a guide only. For additional technical information, full dimensional and installation details, please refer to the instruction and installation manuals supplied with the appliance. All measurements in mm.

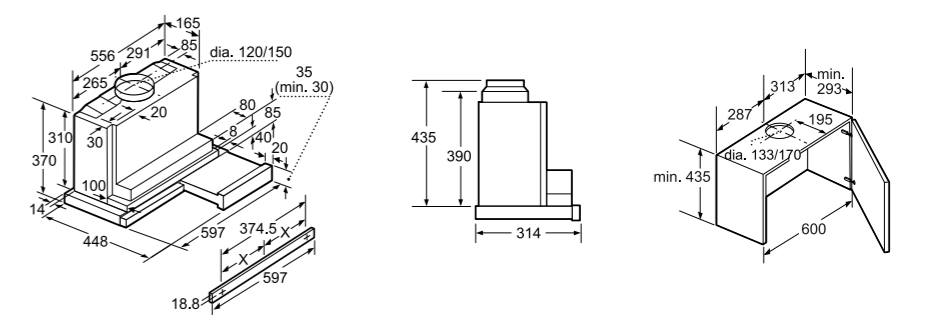
Series 4 | 53cm Integrated Rangehood



DHL555BAU

Measurements in mm

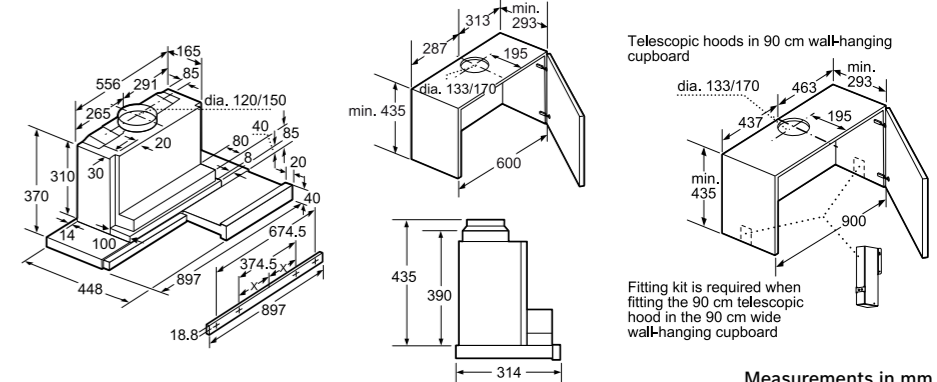
Series 8 | 60cm Slideout Rangehood



DHI655NAU

Measurements in mm

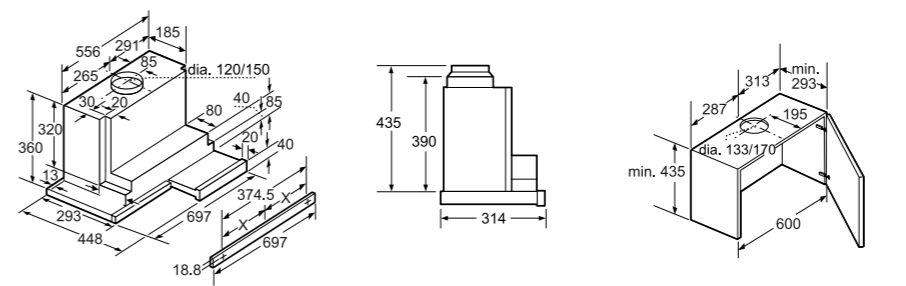
Series 6 | 90cm Slideout Rangehood



DHI955FAU

Measurements in mm

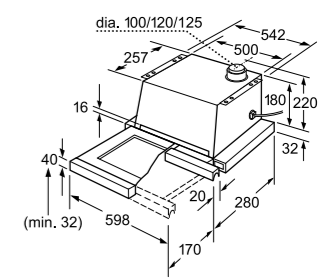
Series 6 | 70cm Slideout Rangehood



DHI755FAU

Measurements in mm

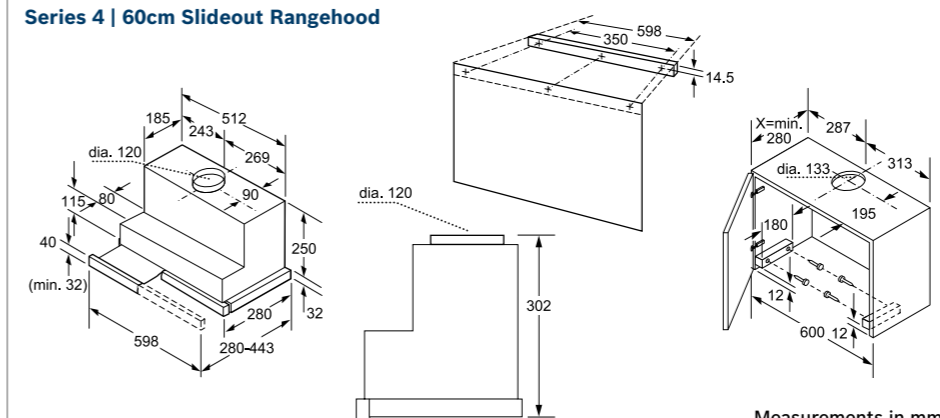
Series 4 | 60cm Slideout Rangehood



DHI625NAU

Measurements in mm

Series 4 | 60cm Slideout Rangehood



DHI635KAU

Measurements in mm

Bosch | Service

This much is for sure: you can trust in our service.

Reliable, experienced, fast. The customer service of Bosch; before and after purchase.



Quality service straight from the manufacturer. Original Bosch.

We are committed to quality even when it comes to after-sales service because no one knows Bosch appliances better than our highly trained service engineers. Working with the latest equipment for measuring, diagnostics and repairs, Bosch service engineers only use original Bosch spare parts.



Reliability guaranteed. No compromises.

All Bosch home appliances are produced with maximum care with high-quality materials. We promise it in our 2 year manufacturer's warranty on all appliances.



Lifetime service. It goes without saying at Bosch.

Once your warranty period is over, we are still there to assist you. You can rely on expert care and first-rate service throughout the life cycle of your appliance. From missing instruction manuals to appliance repair – we take care of everything.



Original accessories. Effective care products.

Take a look at our extensive range of accessories for some inspiration: discover additional uses, replace old materials for optimum operation or simply give a trusty home appliance a good work-over. With the right care, you will be able to enjoy your high-quality appliance for many years to come. To help you do so, we offer a wide range of Bosch certified cleaning and care products.



Extensive customer service network. Just a call away.

Customer Care

Our friendly Bosch Customer Care team is on-hand to provide competent, reliable assistance. Before or after purchase, the Bosch team will be happy to advise you on products, their use and special functions.

Service & Repairs

Our team is there to provide the right advice on faults, arranging a visit of a service engineer and ordering the right accessories or spare parts.

Customer care, service and repairs: 1300 369 744
24 Hour phone support Monday to Friday*

**Phone lines open 7am Monday until midnight on Friday.*



BSH Home Appliances Pty Ltd

7-9 Arco Lane
Heatherton VIC 3202

Postal Address

PO Box 505
Moorabbin VIC 3189

Customer Line

Phone: 1300 369 744

www.bosch-home.com.au

Bosch Cooking Solutions brochure is printed in an environmentally conscious way, using inks containing linseed oils and stock manufactured to high environmental standards.



This material is printed on Grange Offset, proudly manufactured by Australian Paper. Grange Offset is PEFC certified and manufactured in a facility with ISO 14001 EMS certification.

The print company has a strict environmental policy and they are an FSC®-certified print company. They use initiatives such as computer-to-plate technology, water/isopropyl alcohol reductions in printing presses and recycling throughout the organisation. This is in addition to the ink selection as discussed above and in their advice to all clients on the environmental implications of paper selection and usage.

Certain appliances shown in this catalogue are not available in your country. Model numbers and specifications are for reference only and subject to change without prior notice. Please contact your local Bosch retailer for the latest information.

Whilst every care has been taken in the preparation of this publication, BSH does not warrant the accuracy or completeness of the information in this publication and BSH reserves the right to alter specifications without notice. To the extent permitted by law, BSH excludes all liability, including negligence, for any loss incurred in reliance on the contents of this publication.

Printed in Australia. KR D 06/2015 – BH 2394 B



@BoschHomeAU