

# RS23CB760012

SAMSUNG

## Bespoke 23 cu. ft. Smart Counter Depth Side-by-Side Refrigerator with Beverage Center™



### Signature Features

#### Bespoke Design

Create a stylish kitchen with your choice of finishes: White Glass or fingerprint resistant Stainless Steel. Crafted from quality materials to blend seamlessly with your space.

#### Beverage Center™

Convenient access to refreshingly cool, filtered water is always in reach. The Beverage Center™ includes a dispenser and AutoFill Water Pitcher—with the option to infuse with a flavor.

#### Dual Auto Ice Maker

Choose from cubed ice or Ice Bites™ that chill your drink faster.

#### Power Touch Sensor

The Power Touch Sensor allows you to open the doors effortlessly. Simply place your hand over the sensors and the door will softly nudge open automatically\*.

\*The door automatically opens about 25 mm. If you do not open the door further, it will close automatically after 2 seconds (automatic closing may not be possible in certain environments).

### Available Colors



White Glass (shown)



Fingerprint Resistant  
Stainless Steel



Bespoke Design



Beverage Center™

### Design

- Bespoke Design
- Beverage Center™
- Counter Depth
- Slide-In Shelf
- Silver-Accent Shelving
- LED Lighting
- 3 Gallon Door Bins
- Adjustable Top Freezer Shelf

### Technology

- Wi-Fi Enabled
- Power Touch Sensor
- Power Cool & Power Freeze
- Door Alarm
- Water Filter Indicator
- Sabbath Mode

### Performance

- Dual Auto Ice Maker with Ice Bites™
- SmartThings Energy\*
- All-Around Cooling

\*Available on Android and iOS devices. A Wi-Fi connection and a Samsung account are required.

### Rating



ENERGY STAR® rated:  
600 kWh/yr



ADA Compliant

# RS23CB760012

SAMSUNG

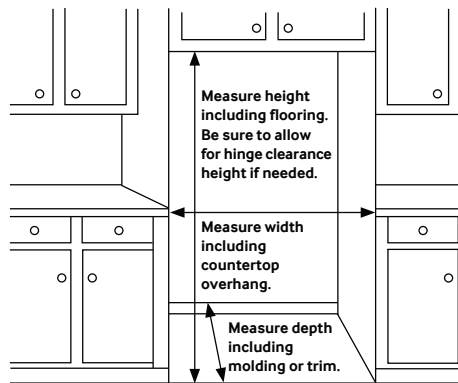
## Bespoke 23 cu. ft. Smart Counter Depth Side-by-Side Refrigerator with Beverage Center™

### Installation Specifications

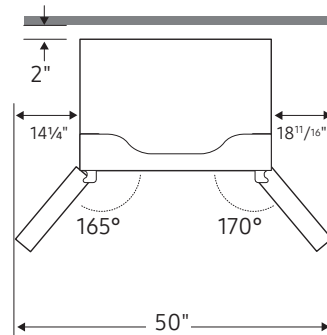
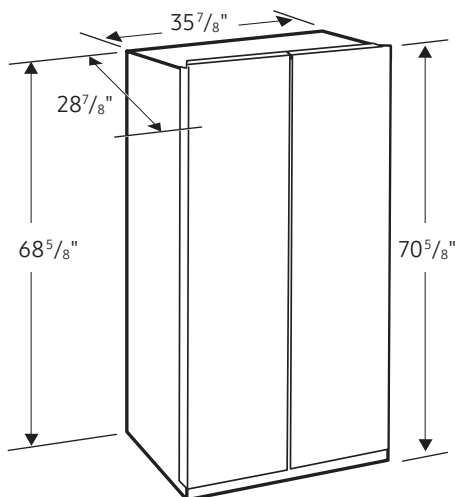
1. Measure the height, width and depth of the opening, making sure to include baseboards, molding tile, countertop overhang, etc. Check to be sure there is enough room to open the door (consider walls, islands or other obstacles when measuring).
2. Refer to illustration below to determine dimensions.
3. Allow 2.5" of clearance on hinge side of refrigerator when installing next to a wall where handle may make contact.
4. Allow 2" minimum clearance at rear for proper air circulation and water/electrical connections. Allow a 3/8" minimum clearance at sides and top for ease of installation.
5. Ensure each door and entryway in the home is wide enough for the refrigerator to be moved through easily.

For optimal usage and ability to open refrigerator doors completely, do not install next to a wall.

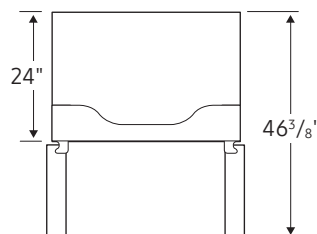
Please note: The following dimension and cutout information is for planning purposes only. For complete installation details, consult manual packed with product or download manual online at [samsung.com](http://samsung.com).



### Dimensions



NOTE: Please allow 3/4" of clearance when installing along a wall.



**Total Capacity: 22.6 cu. ft.**

**Refrigerator: 14.6 cu. ft.**

- 4 Tempered Glass Shelves
- Slide-In Shelf
- 2 Drawers
- 5 Door Bins
  - 3 Gallon Bins
  - 2 Door Bins
- Top LED Lighting

**Freezer: 8.0 cu. ft.**

- Dual Ice Maker in Freezer (Cubed Ice AND Ice Bites)
- Adjustable Top Freezer Shelf
- 4 Tempered Glass Shelves
- 2 Drawers
- 5 Door Bins
- Top LED Lighting

### Accessories

Water Filter: HAF-QIN

### Warranty

One (1) Year Parts and Labor on Refrigerator  
Five (5) Years Parts and Labor on Sealed Refrigeration System Only\*  
Ten (10) Years Parts and Five (5) Years Labor on Digital Inverter Compressor

\*Compressor, evaporator, condenser, drier and connecting tubing.

### Product Dimensions & Weight

Dimensions (WxHxD with hinges, recessed handles, and doors): 35 7/8" x 70 5/8" x 28 7/8"

Dimensions (WxHxD without hinges and door): 35 7/8" x 68 5/8" x 24"

Weight: 263 lbs

### Shipping Dimensions & Weight (WxHxD)

Dimensions: 37 3/4" x 75 3/8" x 30 1/8"

Weight: 271 lbs

### Color

White Glass

Fingerprint Resistant Stainless Steel

### Model #

RS23CB760012

RS23CB7600QL

### UPC Code

887276715889

887276715896