

# + Lenovo - Intel Select Solution for NFVI

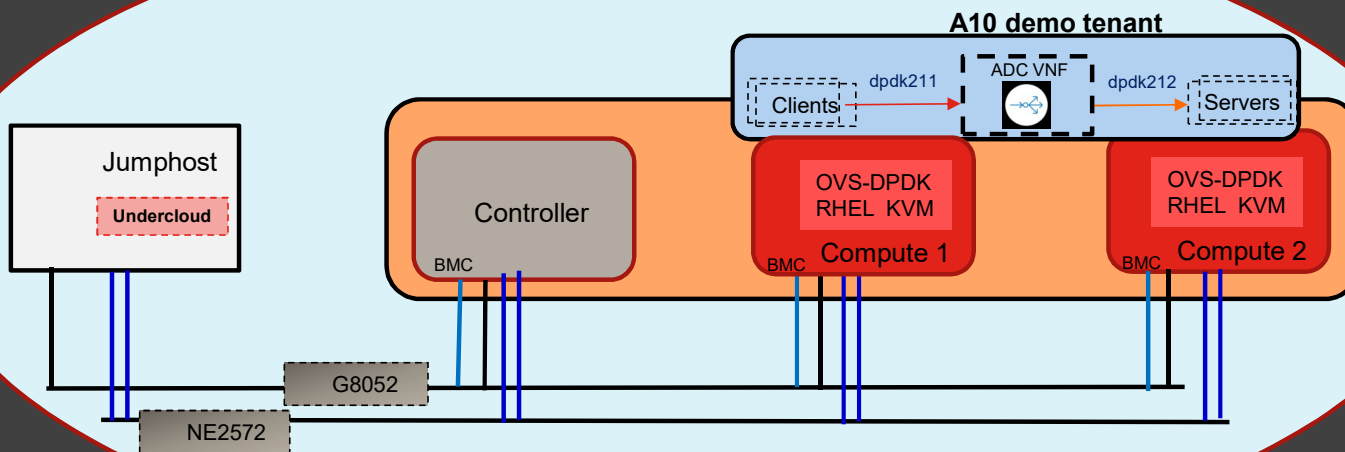
□ Demo: Lenovo NFVI with Red Hat OpenStack and A10 vThunder VNF



Use Case: **Service Provider Solution for Carrier Grade Security and Application Delivery**

- application acceleration, layer 4-7 load balancing, SSL offload, DDoS protection etc.

## Demo setup



### Lenovo ThinkSystem SR630/SR650 server

- Two Intel Xeon Gold 6138T CPU + 384GB RAM
- Two Intel 2-port XXV710 25GbE NIC + 4x1GbE LOM
- 128GB M.2 + 2x Intel 480GB SSD + 2x1TB HDD/NVMe\*
- Intel QuickAssist Technology (QAT)\*

**Lenovo G8052 1G switch (Mgmt)**  
**Lenovo NE2572 25G switch (Data)**

