



A brand of  **legrand**[®]

SERENE AC CEILING FANS 4 BLADES

Instruction Manual

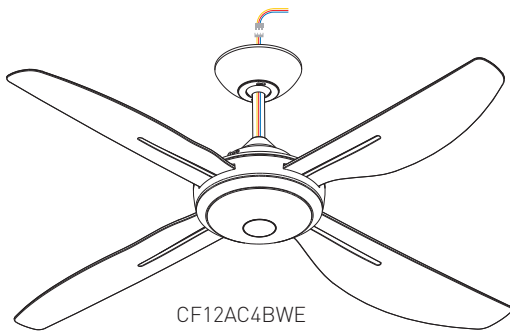


A brand of **legrand**

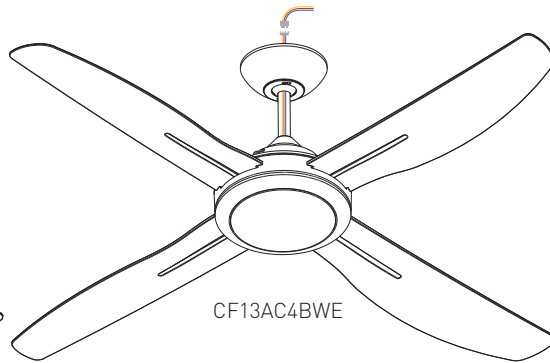
Serene AC Ceiling Fans 4 Blades

Cat. No: CF12AC4BWE, CF13AC4BWE

Instruction Manual



CF12AC4BWE



CF13AC4BWE

WARNING: THIS PRODUCT MUST BE INSTALLED BY A LICENSED ELECTRICIAN

PLEASE READ ALL INSTRUCTIONS CAREFULLY. RETAIN FOR FUTURE REFERENCE.

| Product Specifications | | |
|------------------------|-------------------------|--------------------------|
| | CF12AC4BWE | CF13AC4BWE |
| Supply Voltage | 230-240 V ~ 50 Hz | |
| Power (Motor) | 70 W | 75 W |
| Maximum Airflow | 9,480 m ³ /h | 10,500 m ³ /h |
| Fan Size | 1220 mm, 48" | 1320 mm, 52" |
| Product Weight | 5.2 kgs | 6.2 kgs |
| Power Factor | 0.95 @ 240 V a.c. 50 Hz | |

Box contents

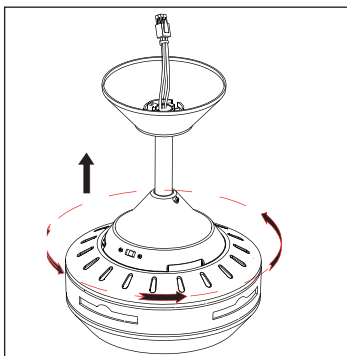
- Motor assembly (x1)
- ABS plastic blades (x4)
- Blade screws (x9)
- Mounting bracket (x1)
- Mounting bracket screw (x2) (Timber use only)
- Plastic anchors (x2)
- Fan wall control (x1)

IMPORTANT CONSIDERATIONS

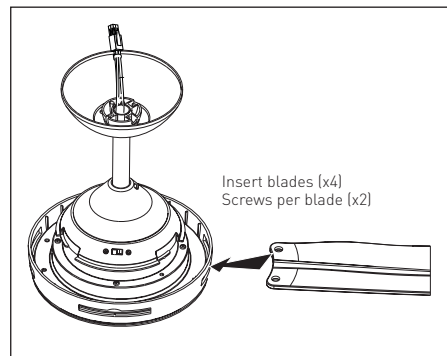
1. The hangsure style is suitable for both flat and inclined ceilings (up to maximum angle of 18°).
2. This fan has been supplied with a 3 speed fan control. It is designed to operate a single fan only.
3. The fan is to be installed so that the fan blades are more than 2.1m above floor level. Fan blades should have clearances >300mm from any obstacles.
4. During installation a switch disconnection should be incorporated in the supply circuit.
5. Blades provided are paired for individual fan and must not be mixed with blades from other fans. This may affect performance and cause vibration/wobble. If unusual oscillating movement is observed, stop using the ceiling fan immediately and contact Legrand Australia, its service agent or a suitably qualified person.

1 QUICK-FIT BLADE INSTALLATION

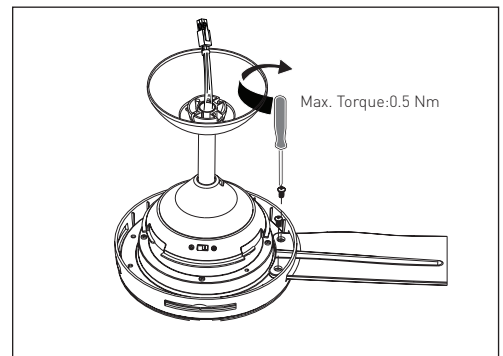
A. Turn the top motor housing anticlockwise and lift upward.



B. Insert the blade into the rectangular slot on the side of the motor body.



C. Tighten screws provided in kit. Refit the top motor housing to the fan body by reversing step 1.

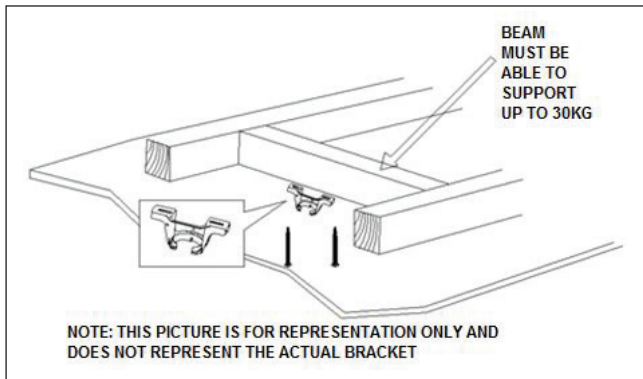


Note: Make sure that the blades are oriented as shown above and ensure the top motor housing has locked back into place.

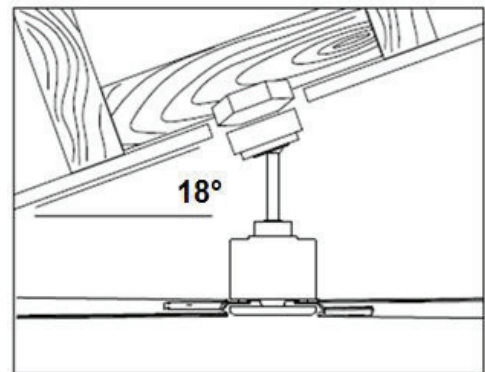
2 FIXING THE MOUNTING BRACKET TO CEILING

Select a suitable location for the fan. Use the 2 coach screws provided (or similar) to make an attachment to a solid structural member. Ensure the mounting method is capable of supporting a hanging weight of 30 kg.

Fix mounting bracket (supplied) firmly to timber or concrete.

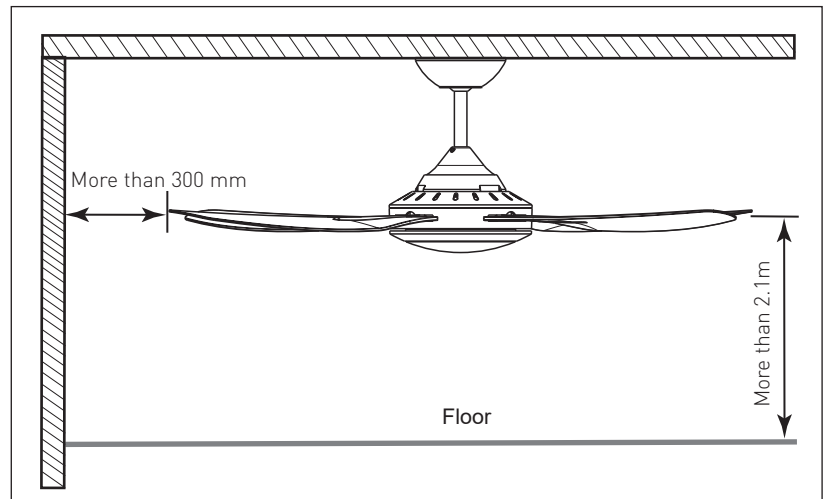


Angled Ceiling Installation

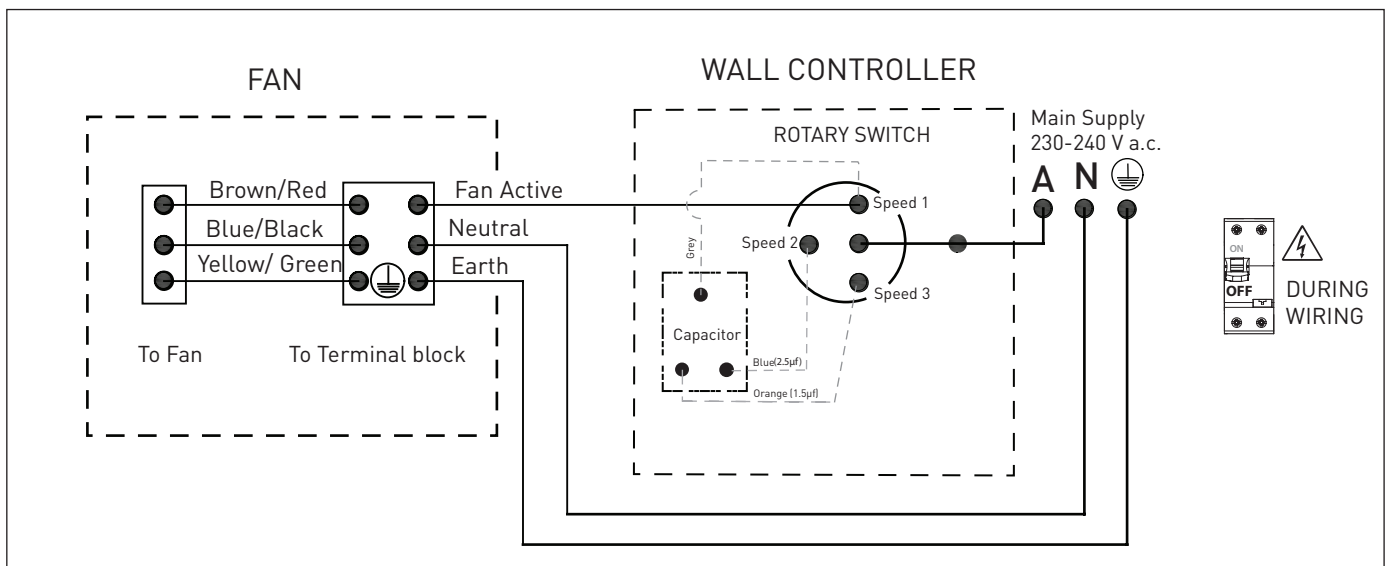


This fan hanging system supports a maximum 18° angled ceiling installation.

Warning: Ceiling fan must be mounted so that blades are 2.1 m from the floor and 300 mm from the wall and other obstructions to the blade tip.

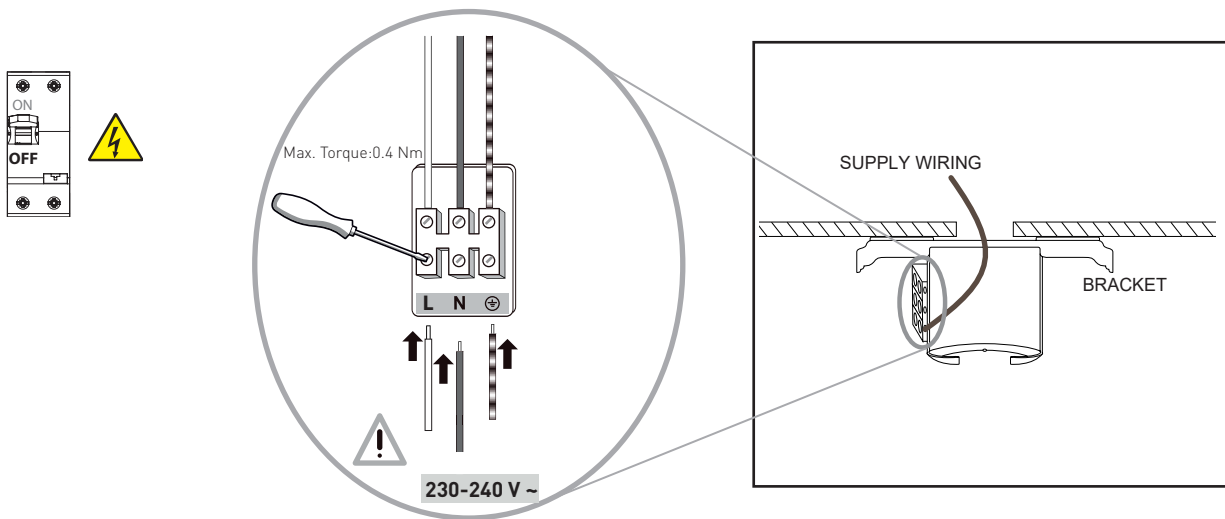


3 WIRING

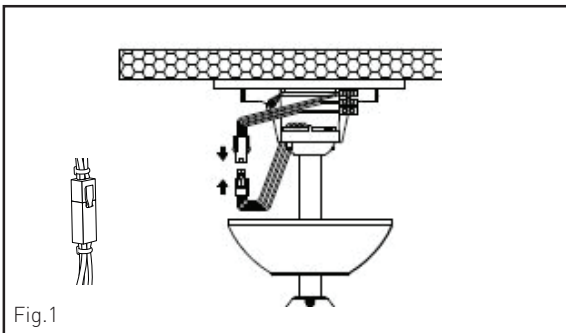


4 POWER SUPPLY CONNECTION TO THE TERMINAL BLOCK

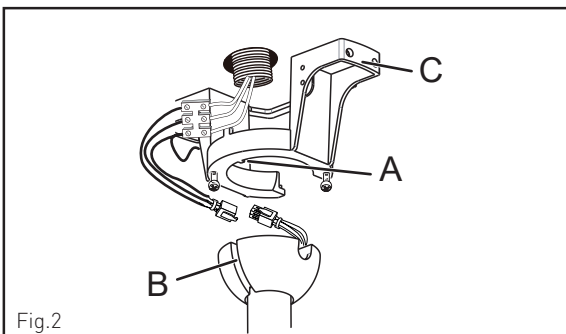
A. Connect supply wiring to the terminal block provided in hangsure bracket.



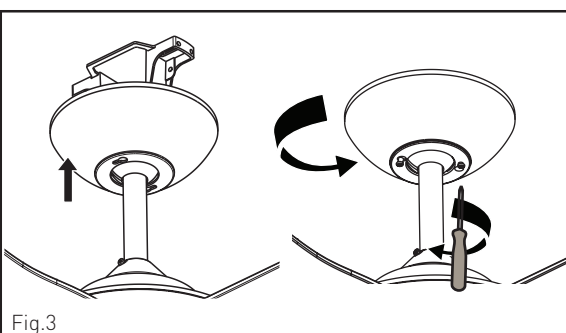
5 HANGING THE FAN ON THE BRACKET



- After completing the electrical connection at the mounting bracket terminal block, connect the ceiling fan by joining the male and female connector plugs (See Fig.1).
- Make sure the terminal colour matches the corresponding terminal.



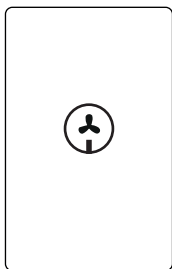
- Place the fan assembly onto the mounting bracket.
- Ensure slot (B) of the hanging ball joint is positioned on notch (A) of the mounting bracket (C) to prevent the fan from rotating when in operation (See Fig.2).



- Cover the mounting bracket with the canopy.
- Ensure all electrical wiring is tucked inside the canopy and that the wires are not damaged during this step.
- Secure the canopy to the mounting bracket using the screws provided (See Fig.3).

6 FAN WALL CONTROL

The ceiling fan comes with a Legrand Excel life rotary 3-speed control.

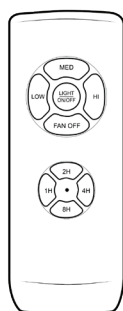


Fan wall control only (Supplied)

Note: Legrand Excel Life rotary 3 speed fan control (Cat. No:ED3FCSEWE) is available as spare part.

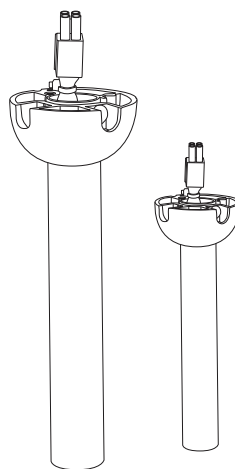
7 ACCESSORIES (SOLD SEPARATELY)

Remote control



Serene Ceiling AC Fan Remote Control Kit - White (CFSERACREMOTE)

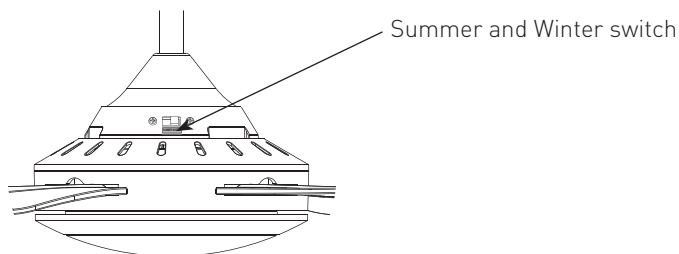
Downrods



Serene Ceiling Fan Extension Downrod 750 mm x 21.5 mm-White (CFSERDR750WE)

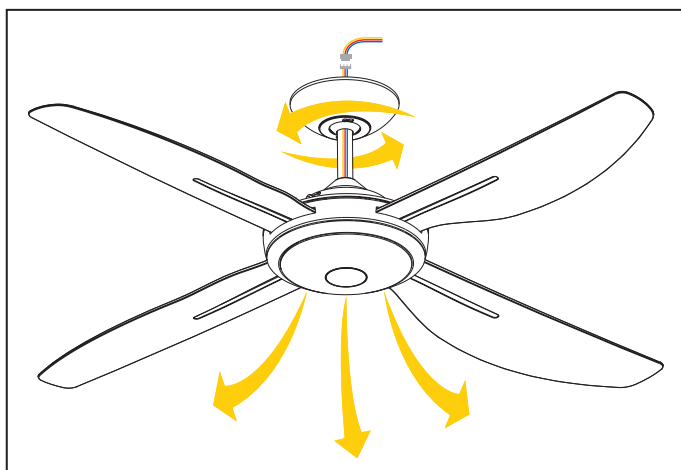
Serene Ceiling Fan Extension Downrod 1500 mm x 21.5 mm-White (CFSERDR1500WE)

8 SUMMER AND WINTER SWITCH



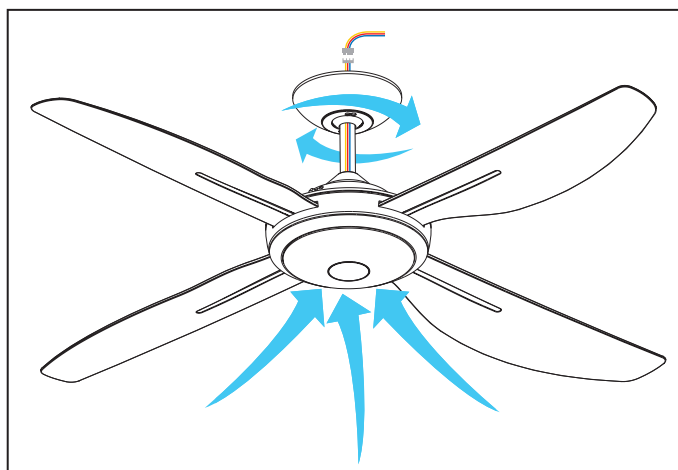
Summer Mode

Fan operates by rotating anti-clockwise to push cool air down and pull warm air up, creating a wind chill effect of the air moving around you.



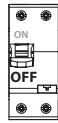
Winter Mode

Fan operates in reverse by rotating clockwise to pull cool air up and push warm air down, allowing for warm air to be redistributed in the room saving heating running costs.

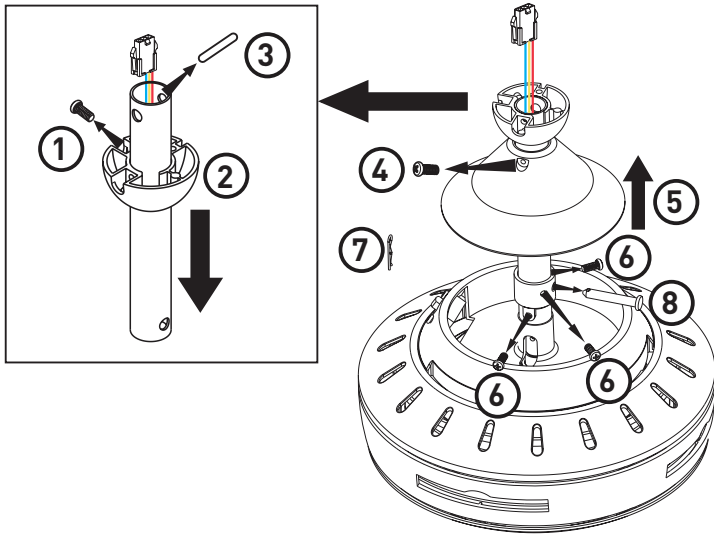


REMOVING THE ROD

Warning: Ceiling fan must be mounted so that blades are 2.1m from the floor and 300mm from the wall and other obstructions to the blade tip (Refer to Section 2. Fixing the mounting bracket to ceiling on page 2).



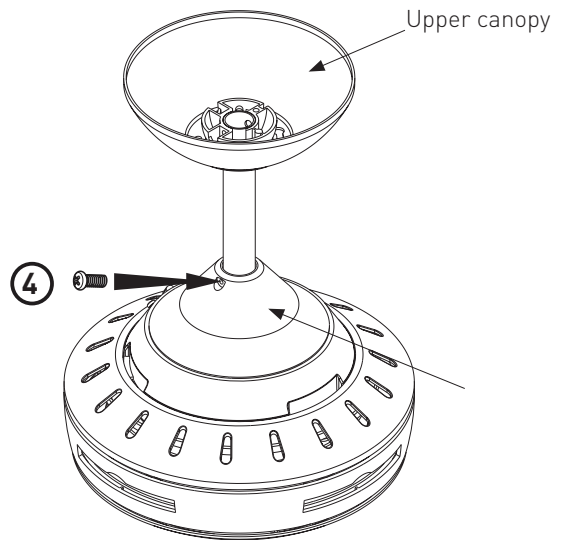
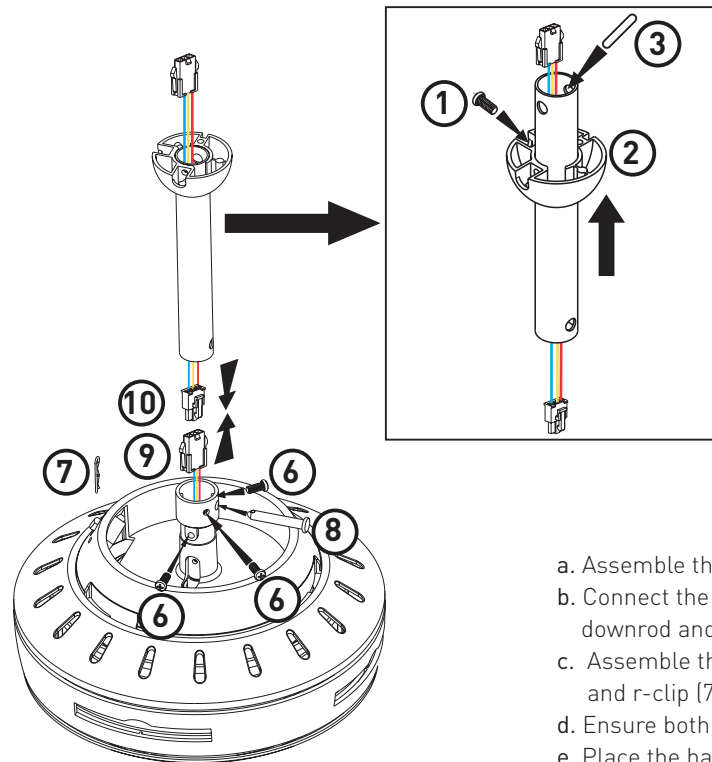
DURING WIRING Make sure the power is switched OFF during installation.



- a. Lower the upper canopy.
- b. Unscrew the screw (1) and lower the hanging ball (2).
- c. Take out the clevis pin (3).
- d. Unscrew the screw (4) and lift the lower canopy up (5).
- e. Unscrew the screws (6) on the lower joint of downrod and take the r-clip (7) out.
- f. Remove the clevis pin (8).
- g. Detach the downrod and take the connector wire out.

Note: Max. Torque: 0.4 Nm for all screws.

REPLACING WITH DOWNROD



- a. Assemble the upper and lower canopy onto the new downrod.
- b. Connect the male (10) to the female (9) connector at the bottom of the downrod and pull the wire from the top of downrod.
- c. Assemble the downrod in place with all the screws (6), clevis pins (3,8) and r-clip (7).
- d. Ensure both clevis pins (3,8) are secure and all screws are tightened.
- e. Place the hanging ball (2) into position and tighten the screw (1).
- f. Set the lower and upper canopy onto downrod and tighten the screw (4).

Note: Max. Torque: 0.4 Nm for all screws.

PRODUCT NOTES

1. This product must be installed by a licensed electrician and used as per these instructions.
2. This product contains no serviceable parts and no attempt should be made to repair this product. If the product is faulty it should be discarded.
3. This product must be cleaned periodically with a damp cloth. Cleaning agents and solvents should never be used.
4. This product has been designed to operate in ambient temperatures between 5°C to 40°C.
5. This product must be securely attached to a structural member for support. Fixing means (brackets) must be fixed to the structural member with sufficient strength to withstand 4 times the weight of the ceiling fan.
6. During installation the mains supply wiring terminals should be tightened between 0.4Nm and 0.6Nm. Over-tightening may damage the terminal. Under-tightening may result in hot joints.
7. This product is not intended to be exposed to direct weathering. It is not suitable for installation in hazardous and/or corrosive areas. It is not suitable for marine environments such as areas subjected to salt spray and/or mist.
8. This product is not intended for use by young children or infirm persons without supervision. Young children should be supervised to ensure that they do not play with the appliance.
9. Only those accessories as supplied by Legrand are designed for operation with the fan.
10. Extended exposure to UV rays (such as exposure to direct sunlight) may cause discolouration of this product.
11. The material in this product may vary in colour from batch to batch. Colour matching from one batch to another cannot be guaranteed.
12. This product has been designed to operate on a nominal supply voltage of 230-240 V a.c. 50 Hz.
13. After installation this product must be tested as required by the appropriate government and/or statutory regulations.
14. Legrand reserves the right to modify the specification of this product at any time.

Warranty Statements



These goods come with guarantees that cannot be excluded under the Australian and New Zealand Consumer Laws. You are entitled to a replacement or a refund for a major failure and compensation for any other reasonably foreseeable loss or damage. You are also entitled to have the goods repaired or replaced if the goods fail to be of acceptable quality and the failure does not amount to a major failure.

- Legrand offers this product with a 6 year (2 year + 4 year) express warranty. The first 2 years are in-home whereas the following 4 years are parts only. To access this warranty please contact Legrand. The following conditions apply to this express warranty:
 - This warranty commences on the date of purchase.
 - Under no circumstances Legrand will be responsible for rectification or costs under this express warranty without prior written consent.
 - The product must be installed by a licenced electrician and in accordance with these installation instructions.
 - Minor vibration and variations between individual units is normal and not warrantable fault.
 - Humming or vibration caused by ripple control signals is not warrantable fault.
- Legrand (“we or us”) has given each purchaser who is a consumer (“you”) a warranty against defects in its products.
- As a consumer, you are entitled to the benefit of the Warranty and should read and understand its terms. In addition, for the purposes of the Australian and New Zealand Consumer Laws, we note the following:
 - If we accept your claim under the Warranty we will reimburse all your reasonable expenses in making and pursuing the claim, including the cost of reimbursement of any defective products returned in the ordinary course to us at the address above by post or other agreed means. Any such claim must be made within 14 days of your receiving notice of our acceptance of your claim and include any necessary supporting documentation or invoices.
 - As a consumer, you have rights under the Australian and New Zealand Consumer Laws and may have rights under other applicable laws which cannot be excluded, restricted or modified. Those rights are in addition to any rights you have under the Warranty.
- Our contact details for the purpose of any claims made under the Warranty are below. Any claim under the Warranty must be sent in writing to the following address:

AUSTRALIA ONLY

Legrand Australia Pty Ltd
Nexus Industry Park
Bldg 4, 43-47 Lyn Parade
PRESTONS, NSW 2170
1300 369 777
sales.orders@legrand.com.au

NEW ZEALAND ONLY

Legrand New Zealand Ltd
106-124 Target Rd
GLENFIELD, AUCKLAND
0800 476 009
nz.sales@legrand.co.nz

