

# UC-C160-T

## Crestron Flex UC Video Conference System Integrator Kit for Microsoft Teams® Rooms



- *Conferencing integration solution for Microsoft Teams® software*
- *Present, call, conference, and collaborate in any room using your choice of AV equipment*
- *Network management and provisioning, system alerts, and the pairing of a touch screen to the UC-C160-T system's UC Engine through the XiO Cloud® service*
- *Connects and communicates securely over any enterprise or SMB network*
- *Enterprise-grade security*
- *Direct connection option for simple installation and configuration*
- *Supports single or dual display configuration*
- *Includes 10.1 in. (257 mm) tabletop color touch screen with onscreen calendaring and meeting management and optional control of room lighting, shades, thermostats, and other equipment*
- *Kit contains the 10.1 in. (257 mm) tabletop color touch screen and UC Engine assembly*

The Crestron Flex UC-C160-T system provides a customizable video conference room solution for use with the Microsoft Teams intelligent communications platform. It supports single or dual video displays, and features the UC Engine Assembly with UC-ENGINE and 10.1 in. touch screen. The UC-C160-T enables integration with your choice of displays, cameras, speakers, microphones, mixers, switchers, and audio conferencing interface (or speakerphone).

### Native Microsoft Teams® Software Experience

The UC-C160-T system brings the full Microsoft Teams UC experience to any meeting space in an enterprise or SMB facility, whether implementing a cloud based Microsoft Teams deployment, on-premises Skype® for Business software, or a hybrid of the two.

### Custom Room Integration

The UC-C160-T system provides the essential components needed to design a fully custom video conferencing space using your choice of display devices, cameras, speakers, microphones, and other AV equipment. Any Microsoft Teams software compliant USB camera and USB audio conferencing interface (or speakerphone) may be used. A non-USB camera or camera switcher may also be integrated by adding a video converter, model [HD-CONV-USB-100](#) (sold separately). The UC-C160-T system allows rooms of any size and scale to be designed using Crestron Avia™ digital signal processors and amplifiers, Saros® or Vector™ speakers, and other equipment.

### 10.1 in. Touch Screen

With a large 10.1 in. (257 mm) capacitive touch screen display, the Crestron® tabletop touch screen ([TS-1070-B-S-T-V](#)) provides superior conferencing control in meeting rooms, huddle spaces, and executive offices. The touch screen also offers optional control of room lighting, shades, thermostats, and other equipment.<sup>1</sup>

### UC Engine Assembly

All the capabilities of a complete Microsoft Teams video conferencing and content sharing solution are empowered by the UC Engine. For ultimate performance, Crestron employs a powerful Intel® NUC Mini PC running Microsoft® software. The UC Engine Assembly (UC-BRKT-100-ASSY) streamlines the installation of a Crestron UC system by assembling the UC-ENGINE, HD-CONV-USB-200, and UC-CONN-HD together on one convenient and ready-to-mount bracket.

The complete assembly can be mounted on the wall, or it can be attached to the rear of the display device. Attachment to the display is accomplished using two of the four bolts that also affix the display to a VESA® compliant display mount. The assembly bracket includes mounting holes on its left and right side edges, spaced at 100 mm (3.94 in.), 200 mm (7.87 in.), and 300 mm (11.81 in.) vertically, to allow for attachment to either side of the display mounting plate on the rear of the display device.

For more information, refer to the [UC-BRKT-100-ASSY](#) product page.

### Network Management and Security

Crestron Flex is an enterprise grade solution, engineered in partnership with Microsoft to integrate seamlessly into any Microsoft Teams or Skype for Business deployment. Crestron Flex is ideally equipped for mass deployment throughout any sized corporate, university, medical, military, or government facility.

# UC-C160-T

## Crestron Flex UC Video Conference System Integrator Kit for Microsoft Teams® Rooms

IoT cloud based provisioning enables complete network configuration in advance of hardware delivery, with touchless updates following installation via Windows® Update. Crestron Fusion® or XiO Cloud® management enables monitoring and logging of room and equipment usage, as well as centralized help desk support. Advanced security features ensure privacy, reliability, and compliance with your organization's IT policies.

### XiO Cloud® Provisioning and Management Service

The UC-C160-T is compatible with the XiO Cloud service, which is an IoT (Internet of Things) based platform for remotely provisioning, monitoring, and managing Crestron devices across an enterprise or an entire client base.<sup>2</sup> The service enables installers and IT managers to deploy and manage thousands of devices in the amount of time it would ordinarily take to manage just one. As part of the UC-C160-T system, the XiO Cloud service allows for network management and provisioning, system alerts, and the pairing of a touch screen to the UC-C160-T system's UC Engine. System updates are controlled by Windows Update. For more information, visit [www.crestron.com/xiocloud](http://www.crestron.com/xiocloud).

### Direct Connection

Crestron's direct connection method simplifies installation and configuration with a single connection from the touch screen to the UC-ENGINE.<sup>3</sup> This method accelerates deployment, ensures reliability, and provides long-term service while eliminating network setup dependencies related to hardware and security requirements.

### Dual Control Option

A Crestron Mercury device or another TS-1070 touch screen may be added to the UC-C160-T kit as an additional control point for the Microsoft Teams environment.<sup>4</sup>

## Specifications

### Included Components

<a href="#">TS-1070-B-S-T-V</a>	10.1 in. touch screen, black
<a href="#">UC-BRKT-100-ASSY</a>	UC Engine Assembly, comprised of: UC-ENGINE: UC Engine for Microsoft Teams video; HD-CONV-USB-200: HDMI® to USB 3.0 converter for content ingest; UC-CONN-HD: EDID emulator for UC Engine display output; CBL-MDP-HD-0.5: Mini DisplayPort™ to HDMI converter; Mounting Bracket
<a href="#">CBL-CAT5E-7</a>	(2) Ethernet LAN cables for UC Engine, RJ45-to-RJ45, black, 7 ft (2.1 m)
<a href="#">PWE-4803RU</a>	PoE injector for touch screen

### [CBL-USBC-HD-9](#)

USB-C® to HDMI converter cable, USB Type-C male to HDMI Type A male, 9 ft (2.7 m)

### [CBL-HD-20](#)

HDMI cable for content source, Type A male-to-male, 20 ft (6.1 m)

### [CBL-HD-THIN-HS-6](#)

Thin HDMI cable for connecting display device, Type A male-to-male, 6 ft (1.8 m)

### [DM-CBL-ULTRA-PC-20](#)

Ethernet LAN cable for touch screen, CAT6a, RJ45-to-RJ45, blue, 20 ft (6 m)

## Tabletop Touch Screen

### Touch Screen

10.1 in. (257 mm) diagonal capacitive multi-touch TFT active matrix color LCD, 1280 x 800 pixels

### UI

Microsoft Teams UI plus optional Crestron Smart Graphics® room control UI<sup>1</sup>

### Ethernet

100 Mbps, auto switching, auto negotiating, auto discovery, full/half duplex, TCP/IP, UDP/IP, CIP, DHCP, SSL, TLS, SSH, SFTP (SSH File Transfer Protocol), IEEE 802.1X, SNMP, IPv4 or IPv6, Active Directory® service authentication, HTTPS web browser setup, XiO Cloud® client, IEEE 802.3at compliant

### Power over Ethernet

IEEE 802.3at Type 2 compliant PoE+ PD (Powered Device); Normally requests 15 W from an 802.3at Type 2 PSE with LLDP advanced power management; With room scheduling and USB enabled, requests 18 W from an 802.3at Type 2 PSE with LLDP; Requests 30 W (PoE+ Class 4) from an 802.3at Type 2 PSE without LLDP; Requests 15.4 W (PoE Class 0) from an 802.3af (or 802.3at Type 1) PSE

### PoE Injector

A PoE injector is included to power the touch screen if network PoE is not available

### Construction

Plastic, smooth black finish, edge-to-edge glass with black surround

### Dimensions

Height: 5.29 in. (134 mm)  
Width: 9.63 in. (245 mm)  
Depth: 4.67 in. (119 mm)

### Weight

2.44 lb (1105 g)

# UC-C160-T

## Crestron Flex UC Video Conference System Integrator Kit for Microsoft Teams® Rooms

### UC Engine Assembly

---

<b>Mini PC</b>	Intel NUC Kit NUC6i7KYK
<b>Processor</b>	6th generation Intel Core® i7-6770HQ processor with Intel Iris® Pro Graphics 580, 8 GB RAM, 256 GB SSD, Intel I219-LM 10/100/1000 Mbps Ethernet, Windows® 10 IOT Edition OS
<b>UC Client</b>	Microsoft Teams or Skype for Business Software
<b>Management Client</b>	XiO Cloud Service
<b>USB</b>	USB 3.0
<b>Content Ingest</b>	HDMI input via HDMI to USB 3.0 converter (model HD-CONV-USB-200, included)
<b>Display Output</b>	Single or dual display support, native Mini DisplayPort™ (primary) and USB Type-C® (secondary) outputs, HDMI outputs enabled via converter cables (included)
<b>Camera Input Resolution</b>	HD 1080p @ 30 fps
<b>Content Input Resolution</b>	HD 1080p @ 60 fps
<b>Display Output Resolution</b>	HD 1080p @ 60 fps
<b>Power</b>	19 VDC via external 100-240 VAC, 50/60 Hz adapter (included)
<b>Construction</b>	Metal mounting bracket, black, preassembled with UC Engine and USB to HDMI converter
<b>Mounting</b>	Surface wall mount behind the display device, or attach to the rear of the display device via the bolts attaching the display to a VESA® compliant display mount; the Crestron bracket includes mounting holes on both side edges, spaced 100, 200, and 300 mm vertically, to allow for attachment to either side of the display mounting plate
<b>Dimensions</b>	Height: 16.00 in. (407 mm) Width: 14.00 in. (356 mm) Depth: 1.62 in. (41 mm)

Refer to the UC-ENGINE, HD-CONV-USB-200, and UC-BRKT-100-ASSY spec sheets for additional specifications and compliances.

### Model

UC-C160-T

### Available Accessories

For a list of available accessories, visit the [UC-C160-T](#) product page.

# UC-C160-T

## Crestron Flex UC Video Conference System Integrator Kit for Microsoft Teams® Rooms

### Notes:

1. Room control capability (lighting, shades, thermostats, etc.) requires additional equipment and commissioning to be provided by a Crestron authorized integrator and/or programmer. Additional costs may apply.
2. New UC-C160-T systems may be added to existing XiO Cloud subscription accounts at a discounted rate. An additional purchase toward the existing subscription account term may be required. For more information, please contact [license@crestron.com](mailto:license@crestron.com).
3. If the XiO Cloud service is to be used for management of the touch screen, it must be on the same VLAN as the UC-ENGINE.
4. A maximum of two touch screens or one touch screen and one Crestron Mercury device can be accommodated by the system. Only one device may be connected via direct connection method.

This product may be purchased from select authorized Crestron dealers and distributors. To find a dealer or distributor, please contact the Crestron sales representative for your area. A list of sales representatives is available online at [www.crestron.com/How-To-Buy/Find-a-Representative](http://www.crestron.com/How-To-Buy/Find-a-Representative) or contact us for additional information by visiting <https://www.crestron.com/contact/our-locations> for your local contact.

This product is covered under the Crestron standard limited warranty. Refer to [www.crestron.com/warranty](http://www.crestron.com/warranty) for full details.

The specific patents that cover Crestron products are listed online at [patents.crestron.com](http://patents.crestron.com).

Certain Crestron products contain open source software. For specific information, please visit [www.crestron.com/opensource](http://www.crestron.com/opensource).

Crestron, the Crestron logo, Crestron Avia, Crestron Fusion, Saros, Smart Graphics, Vector and XiO Cloud are either trademarks or registered trademarks of Crestron Electronics, Inc. in the United States and/or other countries. Dante is either a trademark or registered trademark of Audinate Pty Ltd. in the United States and/or other countries. HDMI is either a trademark or registered trademark of HDMI Licensing LLC in the United States and/or other countries. Intel, Intel Core, and Intel Iris are either trademarks or registered trademarks of Intel Corporation in the United States and/or other countries. Active Directory, Microsoft Teams, Skype and Windows are either trademarks or registered trademarks of Microsoft Corporation in the United States and/or other countries. USB Type-C and USB-C are either trademarks or registered trademarks of USB Implementers Forum, Inc. in the United States and/or other countries. DisplayPort and VESA are either trademarks or registered trademarks of Video Electronics Standards Association in the United States and/or other countries. Other trademarks, registered trademarks, and trade names may be used in this document to refer to either the entities claiming the marks and names or their products. Crestron disclaims any proprietary interest in the marks and names of others. Crestron is not responsible for errors in typography or photography.

Specifications are subject to change without notice.

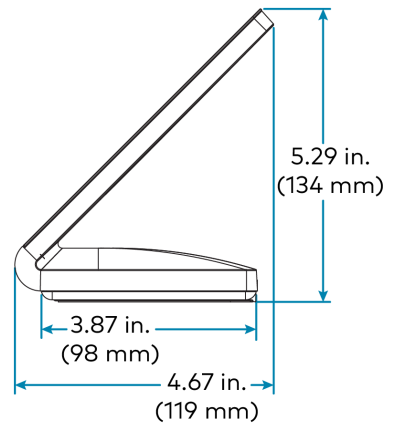
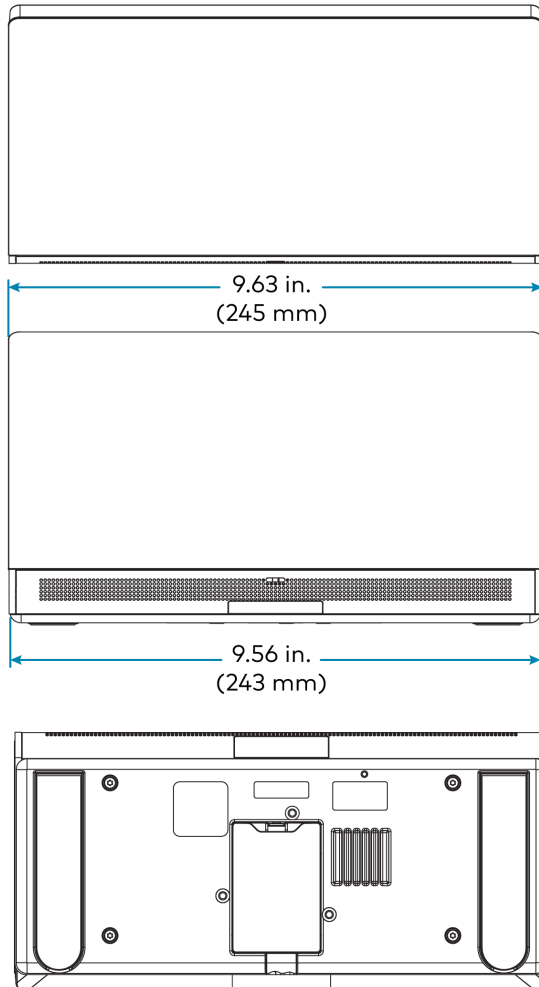
©2021 Crestron Electronics, Inc.

Rev 09/11/21

# UC-C160-T

Crestron Flex UC Video Conference System Integrator Kit for Microsoft Teams® Rooms

TSW-1070-B-S-T-V



# UC-C160-T

Crestron Flex UC Video Conference System Integrator Kit for Microsoft Teams® Rooms

## UC-BRKT-100-ASSY

